

# PARTS MANUAL



## **WHISPERWATT™ SERIES MODEL DCA1100SSC 60HZ GENERATOR (CUMMINS QST30-G5 DIESEL ENGINE)**

**PARTS LIST NO. C6871300404**

Revision #0 (10/10/17)



**THIS MANUAL MUST ACCOMPANY THE EQUIPMENT AT ALL TIMES.**

## DCA1100SSC 60 Hz GENERATOR

Table Of Contents.....	2
Parts Ordering Procedures.....	3
Explanation Of Code In Remarks Column.....	4
Suggested Spare Parts .....	5

### Component Drawings

Generator Assembly.....	6-7
Control Panel Assembly .....	8-9
Battery Switch Assembly.....	10-11
Control Box 1 Assembly .....	12-13
Control Box 2 Assembly .....	14-15
Engine And Radiator Assembly.....	16-19
Output Terminal Assembly.....	20-23
Battery Assembly.....	24-25
Muffler Assembly .....	26-27
Fuel Tank Assembly.....	28-29
Floor Panel Assembly.....	30-31
Enclosure 1 Assembly .....	32-33
Enclosure 2 Assembly .....	34-35
Front Door Assembly .....	36-37
Enclosure 3 Assembly .....	38-39
Rubber Seal Assembly .....	40-41
Battery Charger Assembly (Option).....	42-43
Jacket Water Heater Assembly (Option).....	44-45
Nameplate And Decals 1 Assembly .....	46-49
Nameplate And Decals 2 Assembly .....	50-51

Terms And Conditions Of Sale — Parts .....	52
--	----

#### **NOTICE**

Specifications and part numbers are subject to change without notice.

# EXPLANATION OF CODE IN REMARKS COLUMN

The following section explains the different symbols and remarks used in the Parts section of this manual. Use the help numbers found on the back page of the manual if there are any questions.

## NOTICE

The contents and part numbers listed in the parts section are subject to change **without notice**. Multiquip does not guarantee the availability of the parts listed.

## SAMPLE PARTS LIST

NO.	PART NO.	PART NAME	QTY.	REMARKS
1	12345	BOLT .....	1	INCLUDES ITEMS W/%
2%		WASHER, 1/4 IN. ....		NOT SOLD SEPARATELY
2%	12347	WASHER, 3/8 IN. ...	1	MQ-45T ONLY
3	12348	HOSE .....	A/R	MAKE LOCALLY
4	12349	BEARING .....	1	S/N 2345B AND ABOVE

## NO. Column

**Unique Symbols** — All items with same unique symbol (@, #, +, %, or >) in the number column belong to the same assembly or kit, which is indicated by a note in the “Remarks” column.

**Duplicate Item Numbers** — Duplicate numbers indicate multiple part numbers, which are in effect for the same general item, such as different size saw blade guards in use or a part that has been updated on newer versions of the same machine.

## NOTICE

When ordering a part that has more than one item number listed, check the remarks column for help in determining the proper part to order.

## PART NO. Column

**Numbers Used** — Part numbers can be indicated by a number, a blank entry, or TBD.

TBD (To Be Determined) is generally used to show a part that has not been assigned a formal part number at the time of publication.

A blank entry generally indicates that the item is not sold separately or is not sold by Multiquip. Other entries will be clarified in the “Remarks” Column.

## QTY. Column

**Numbers Used** — Item quantity can be indicated by a number, a blank entry, or A/R.

A/R (As Required) is generally used for hoses or other parts that are sold in bulk and cut to length.

A blank entry generally indicates that the item is not sold separately. Other entries will be clarified in the “Remarks” Column.

## REMARKS Column

Some of the most common notes found in the “Remarks” Column are listed below. Other additional notes needed to describe the item can also be shown.

**Assembly/Kit** — All items on the parts list with the same unique symbol will be included when this item is purchased.

Indicated by:

“INCLUDES ITEMS W/(unique symbol)”

**Serial Number Break** — Used to list an effective serial number range where a particular part is used.

Indicated by:

“S/N XXXXX AND BELOW”

“S/N XXXX AND ABOVE”

“S/N XXXX TO S/N XXX”

**Specific Model Number Use** — Indicates that the part is used only with the specific model number or model number variant listed. It can also be used to show a part is NOT used on a specific model or model number variant.

Indicated by:

“XXXXX ONLY”

“NOT USED ON XXXX”

**“Make/Obtain Locally”** — Indicates that the part can be purchased at any hardware shop or made out of available items. Examples include battery cables, shims, and certain washers and nuts.

**“Not Sold Separately”** — Indicates that an item cannot be purchased as a separate item and is either part of an assembly/kit that can be purchased, or is not available for sale through Multiquip.

## SUGGESTED SPARE PARTS

### DCA1100SSC WHISPERWATT GENERATOR WITH CUMMINS QST30-G5 DIESEL ENGINE

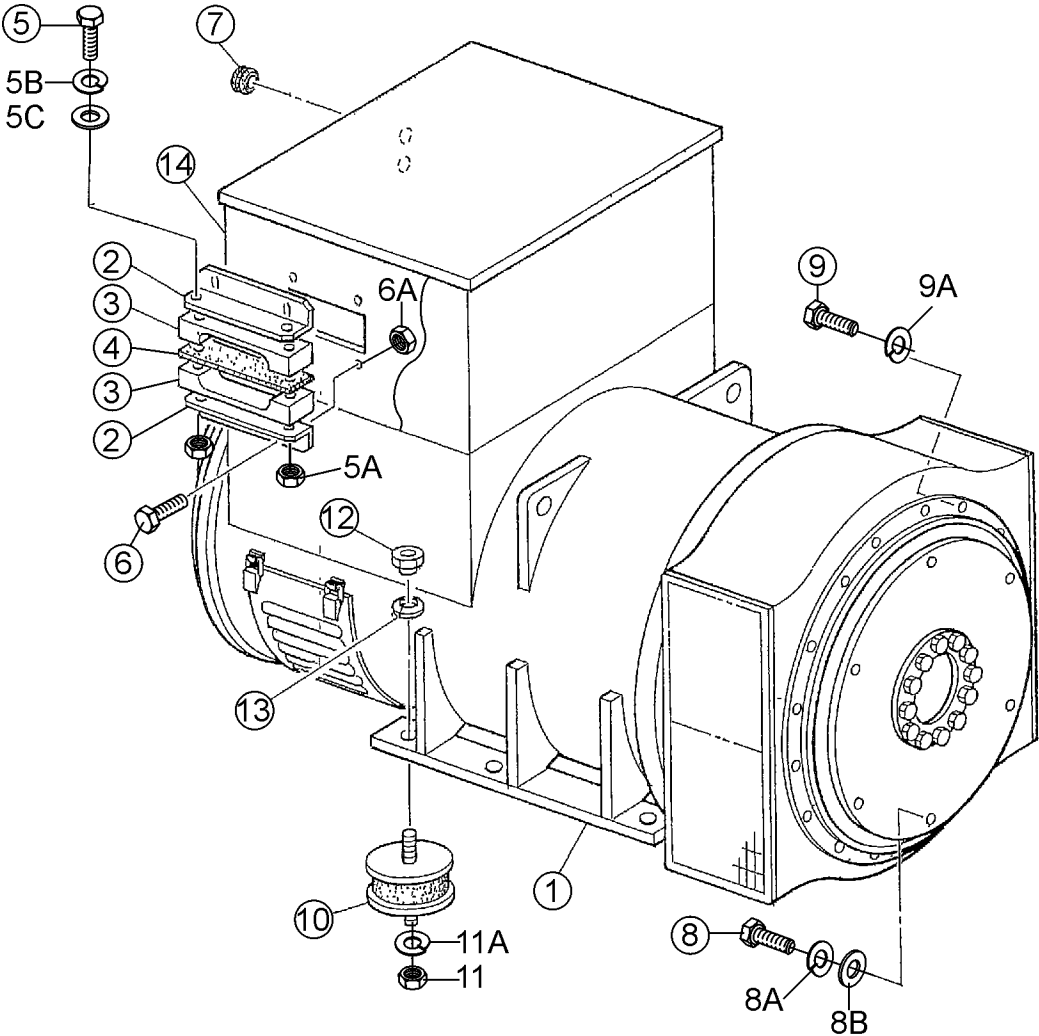
#### 1 to 3 units

Qty.	P/N	Description
2	TBD	HOSE, RADIATOR, UPPER
2	TBD	HOSE, RADIATOR, LOWER
3	3094884	BELT, FAN
1	4095189	FUEL FILTER
1	4010476	FUEL PRE FILTER
6	4367100	OIL FILTER
3	S7000647	ELEMENT, AIR CLEANER, OUTER
3	S7000496	ELEMENT, AIR CLEANER, INNER
3	0601830710	ENGINE SPEED SWITCH
1	Y0601820690	AUTOMATIC VOLTAGE REGULATOR
1	Y0601840228	RHEOSTAT, VOLTAGE REGULATOR
1	0601840100	KNOB
2	Y0605505025	CAP, FUEL TANK
1	Y0601807527	CIRCUIT BREAKER T8V
2	LY2DUS24VDC	RELAY
1	Y0601872530	FUSE, 45A
1	0601806644	FUSE, 30A
1	Y0601806646	FUSE, 20A
1	0601806642	FUSE, 5A

#### NOTICE

Part numbers on this Suggested Spare Parts list may supersede/replace the part numbers shown in the following parts lists.

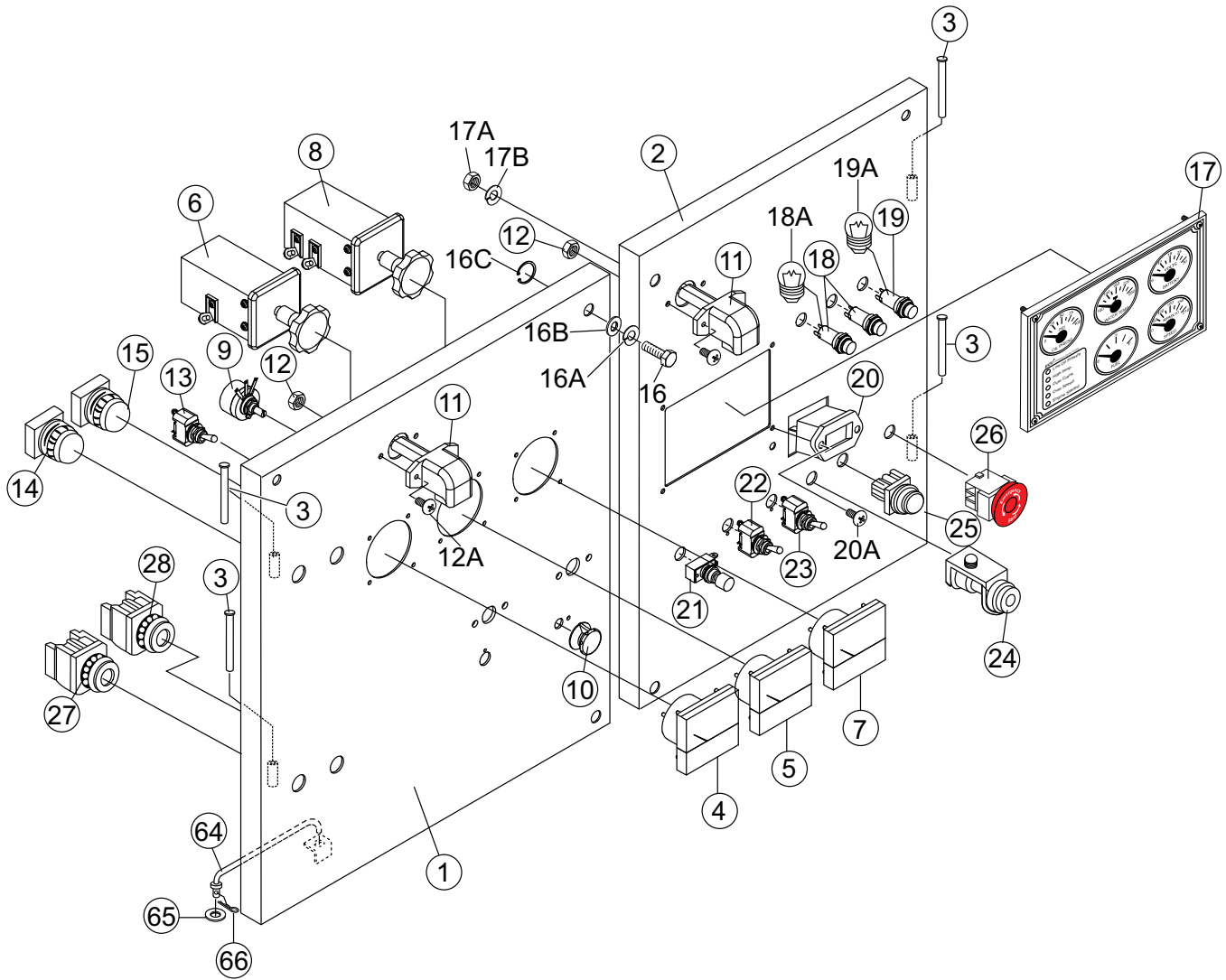
# GENERATOR ASSY.



# GENERATOR ASSY.

<u>NO.</u>	<u>PART NO.</u>	<u>PART NAME</u>	<u>QTY.</u>	<u>REMARKS</u>
1	C6101000023	GENERATOR	1	
2	C6132200004	CLAMPER	2	
3	C6132200104	CLAMPER	2	
4	C6132200204	CLAMPER	1	
5	Y0010108090	HEX. HEAD BOLT	2	
5A	020108060	HEX. NUT .....	2	REPLACES P/N 0207008000
5B	0040008000	WASHER, LOCK	2	
5C	0401450080	WASHER, FLAT .....	2	REPLACES P/N 0041208000
6	011208025	HEX. HEAD BOLT .....	4	REPLACES P/N 0017108025
6A	020108060	HEX. NUT .....	4	REPLACES P/N 0207008000
7	0601850266	GROMMET	2	
8	Y0343207038	HEX. HEAD BOLT	6	
8A	0042516000	WASHER, LOCK	6	
8B	Y0042116000	WASHER, FLAT	6	
9	0012112040	HEX. HEAD BOLT	16	
9A	0042512000	WASHER, LOCK	16	
10	0605000012	RUBBER SUSPENSION	4	
11	0030020000	HEX. NUT	4	
11A	030220510	WASHER, LOCK.....	4	REPLACES P/N 0040020000
12	C6132200304	SET NUT	4	
13	Y0040230000	WASHER, LOCK	4	
14	C6132200403	SIDE BOARD	1	

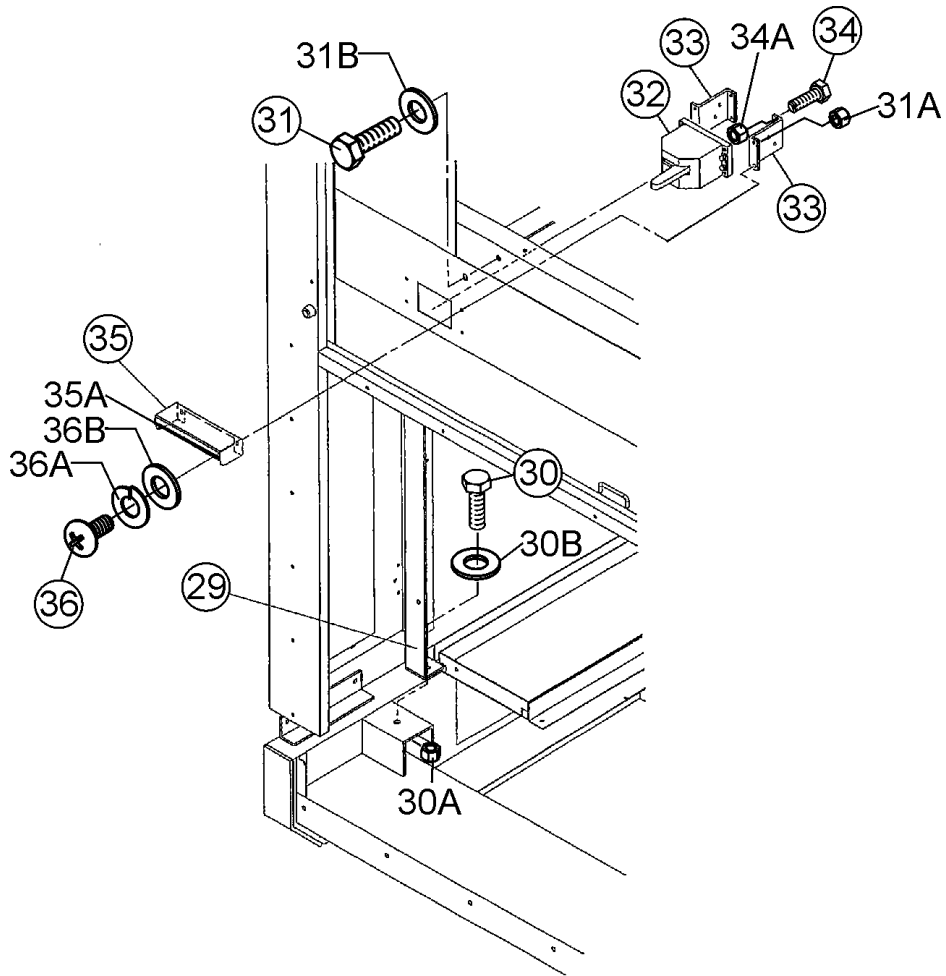
# CONTROL PANEL ASSY.



## CONTROL PANEL ASSY.

<u>NO.</u>	<u>PART NO.</u>	<u>PART NAME</u>	<u>QTY.</u>	<u>REMARKS</u>
1	C6224001703	CONTROL PANEL (LEFT-SIDE)	1	
2	C6224001803	CONTROL PANEL (RIGHT-SIDE)	1	
3	0605011211	PIN	4	
4	0601800480	FREQUENCY METER, 220V 45~65HZ	1	
5	Y0601800798	AC AMMETER, 0~2000A	1	
6	0601801040	CHANGE-OVER SWITCH	1	
7	0601800252	AC VOLTMETER, 0~600V	1	
8	0601801041	CHANGE-OVER SW., VOLTMETER	1	
9	Y0601840228	RHEOSTAT, VOLTAGE REG. 2W 10K OHM	1	
10	0601840100	KNOB.....	1.....	REPLACES P/N 0601840121
11	0601810171	PANEL LIGHT	2	
12	OEMAA8	HEX. NUT .....	4.....	REPLACES P/N 0207004000
12A	0027104020	MACHINE SCREW	4	
13	0601830710	SWITCH, PANEL LIGHT	1	
14	Y0601814178	OFF LAMP, CIRCUIT BREAKER	1	
15	Y0601814179	ON LAMP, CIRCUIT BREAKER	1	
16	C9221100004	HEX. HEAD BOLT	4	
16A	0040008000	WASHER, LOCK	4	
16B	0401450080	WASHER, FLAT .....	4.....	REPLACES P/N 0041208000
16C	0080200007	SNAP RING	4	
17	Y0602203041	ECU CONTROLLER	1	
17A	Y0206707000	HEX. NUT	4	
17B	Y0044807000	WASHER, LOCK	4	
18	Y0602103089	ALARM LAMP	2	
18A	0601810877	BULB	2	
19	0602103090	ALARM LAMP	1	
19A	0601810877	BULB	1	
20	0601800682	HOUR METER	1	
20A	0027103015	MACHINE SCREW	2	
21	0601831205	FUEL METER CHECK BUTTON	1	
22	0601830765	ECU CONTROLLER SWITCH	1	
23	0601830710	ENGINE SPEED SWITCH	1	
24	1540103900	PRE-HEAT INDICATOR.....	1.....	REPLACES P/N 6008153730
25	0601830448	PRE-HEAT BUTTON	1	
26	0601831557	EMERGENCY STOP BUTTON	1	
27	0601830498	OFF SWITCH, CIRCUIT BREAKER	1	
28	0601831224	ON SWITCH, CIRCUIT BREAKER	1	
64	C6224100004	STOPPER, CONTROL PANEL	2	
65	952404470	WASHER, FLAT .....	2.....	REPLACES P/N 0041606000
66	505015300	SNAP PIN .....	2.....	REPLACES P/N 0605010502

# BATTERY SWITCH ASSY.

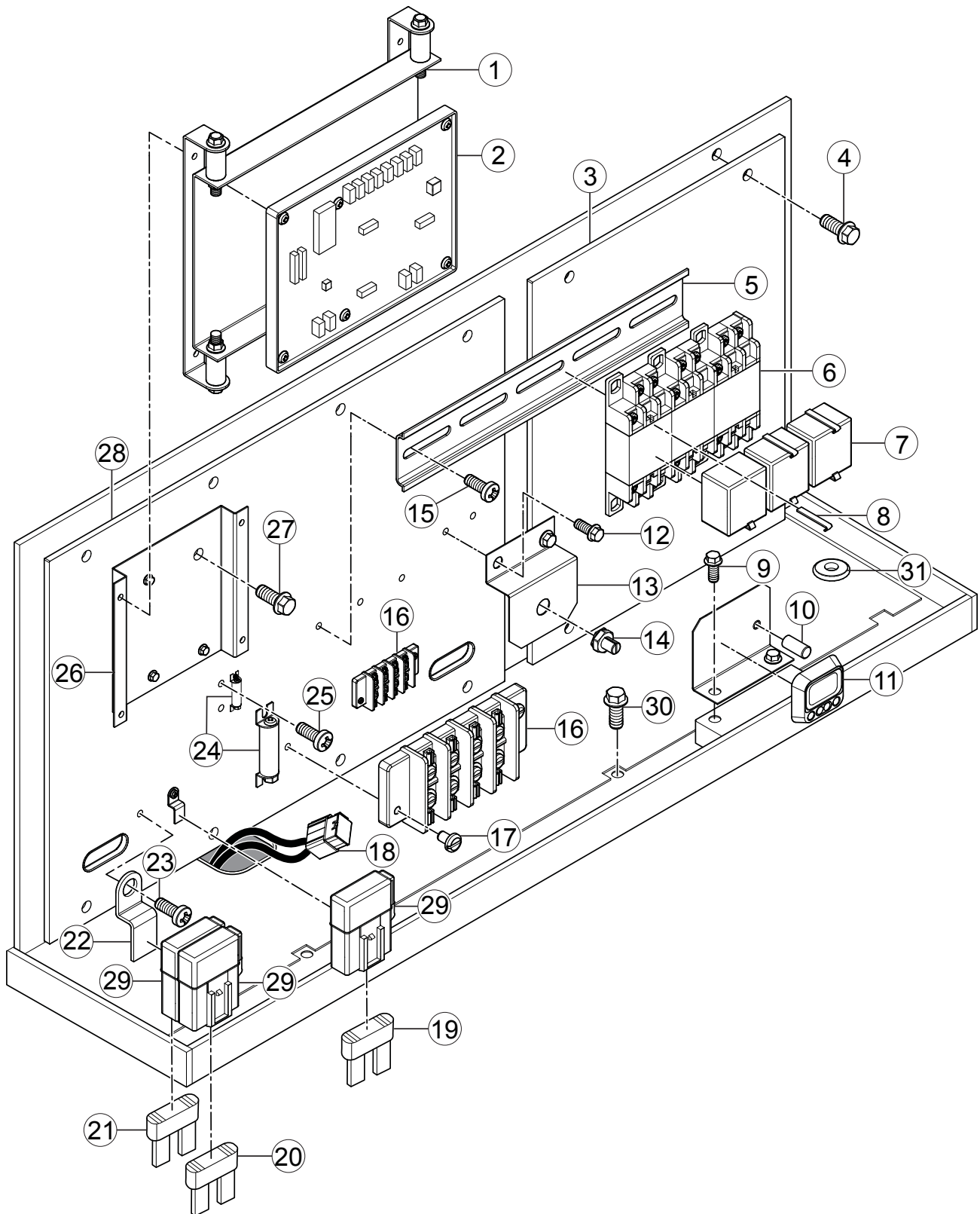


## BATTERY SWITCH ASSY.

---

<u>NO.</u>	<u>PART NO.</u>	<u>PART NAME</u>	<u>QTY.</u>	<u>REMARKS</u>
29	C5484001102	SUPPORT LEG	1	
30	0017112045	HEX. HEAD BOLT	4	
30A	0030012000	HEX. NUT	4	
30B	031112230	WASHER, FLAT .....	4.....	REPLACES P/N 0041212000
31	0019210025	HEX. HEAD BOLT	2	
31A	0205010000	HEX. NUT	2	
31B	0042412000	WASHER, FLAT	2	
32	0602101016	BATTERY SWITCH	1	
33	7522258304	BRACKET, BATTERY SWITCH	2	
34	0017106030	HEX. HEAD BOLT	4	
34A	0176060030	HEX. NUT .....	4.....	REPLACES P/N 0207006000
35	C6352700304	COVER, BATTERY SWITCH	1	
35A	0226900215	RUBBER SEAL	1	
36	0025006016	MACHINE SCREW	4	
36A	0201503A206	WASHER, LOCK.....	4.....	REPLACES P/N 0042306000
36B	952404470	WASHER, FLAT .....	4.....	REPLACES P/N 0042406000

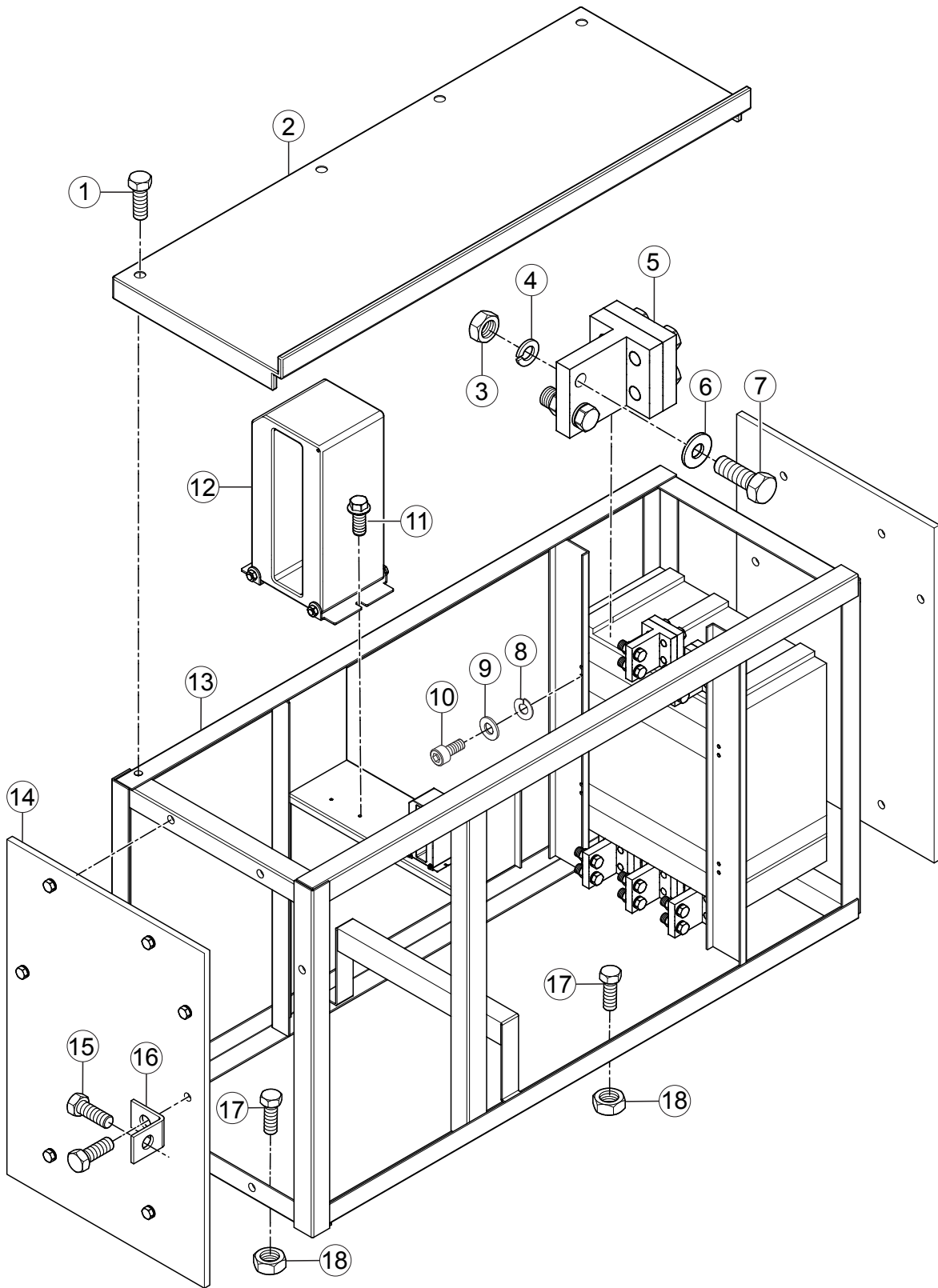
# CONTROL BOX 1 ASSY.



## CONTROL BOX 1 ASSY.

<u>NO.</u>	<u>PART NO.</u>	<u>PART NAME</u>	<u>QTY.</u>	<u>REMARKS</u>
1	45-0745	AVR MOUNTING BRACKET	1	
2	Y0601820690	AUTOMATIC VOLTAGE REGULATOR	1	
3	C6261502804	SET PANEL (RT-SIDE), ELECTRIC PARTS	1	
4	011008020	HEX. HEAD BOLT .....	12	REPLACES P/N 0017108020
5	Y0290000200	RAIL	1	
6	PTF08A	SOCKET .....	3	REPLACES P/N 0601823109
7	LY2DUS24VDC	RELAY, DC24V .....	3	REPLACES P/N 0601827655
8	PYCA1	HOLDER .....	3	REPLACES P/N 0601824400
9	011008020	HEX. HEAD BOLT .....	2	REPLACES P/N 0017108020
10	0601831205	RESET BUTTON	1	
11	Y0602120692	POWerview	1	
12	0017106016	HEX. HEAD BOLT	2	
13	C3262600004	BRACKET	1	
14	Y0601840228	RHEOSTAT, 2W 10K OHM	1	
15	0027104015	MACHINE SCREW	3	
16	0601815153	TERMINAL BOARD	2	
17	0027104020	MACHINE SCREW	4	
18	Y0601872530	FUSE, 45A	1	
19	0601806642	FUSE, 5A	1	
20	Y0601806646	FUSE, 20A	1	
21	0601806644	FUSE, 30A	1	
22	0601802410	BRACKET, FUSE HOLDER	2	
23	011106015	HEX. HEAD BOLT .....	2	REPLACES P/N 0017106015
24	Y0601842514	RESISTOR	2	
25	0027103020	MACHINE SCREW	4	
26	C6261601004	BRACKET	1	
27	011206020	MACHINE SCREW .....	4	REPLACES P/N 0027106020
28	C6261502703	SET PANEL (LT-SIDE), ELECTRIC PARTS	1	
29	C3358201704	FUSE HOLDER ASSY.	3	
30	011008020	HEX. HEAD BOLT .....	3	REPLACES P/N 0017108020
31	0601850267	GROMMET	1	

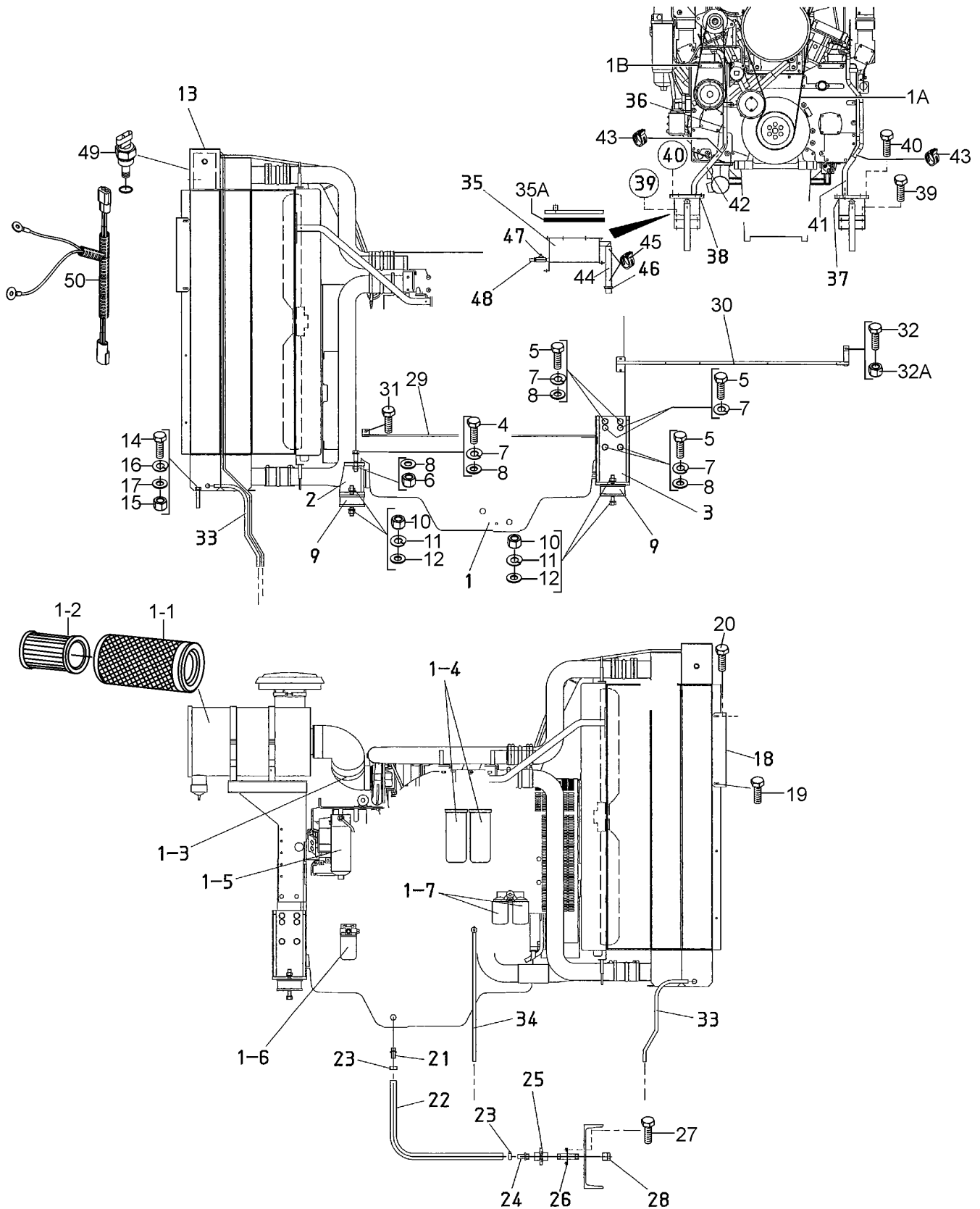
# CONTROL BOX 2 ASSY.



## CONTROL BOX 2 ASSY.

<u>NO.</u>	<u>PART NO.</u>	<u>PART NAME</u>	<u>QTY.</u>	<u>REMARKS</u>
1	011106015	HEX. HEAD BOLT .....	53.....	REPLACES P/N 0017106015
2	8481814503	COVER, CONTROL BOX	1	
3	515455840	HEX. NUT .....	24.....	REPLACES P/N 0030014000
4	030214350	WASHER, LOCK.....	24.....	REPLACES P/N 0040014000
5	Y0601827413	BUS BAR	1	
6	0041614000	WASHER, FLAT	48	
7	0010114055	HEX. HEAD BOLT	24	
8	031108160	WASHER, FLAT .....	8.....	REPLACES P/N 0041608000
9	0040008000	WASHER, LOCK	8	
10	Y0015308035	HEX., SOCKET HEAD CAP SCREW	8	
11	011008020	HEX. HEAD BOLT .....	4.....	REPLACES P/N 0017108020
12	Y0601806164	CURRENT TRANSFORMER, 2000/5A	2	
13	C6214000902	CONTROL BOX	1	
14	C4214301004	SIDE PANEL, CONTROL BOX	2	
15	0017110025	HEX. HEAD BOLT	4	
16	7521811904	BRACKET	2	
17	012010030	HEX. HEAD BOLT .....	5.....	REPLACES P/N 0017110030
18	021112140	HEX. NUT .....	5.....	REPLACES P/N 0207010000

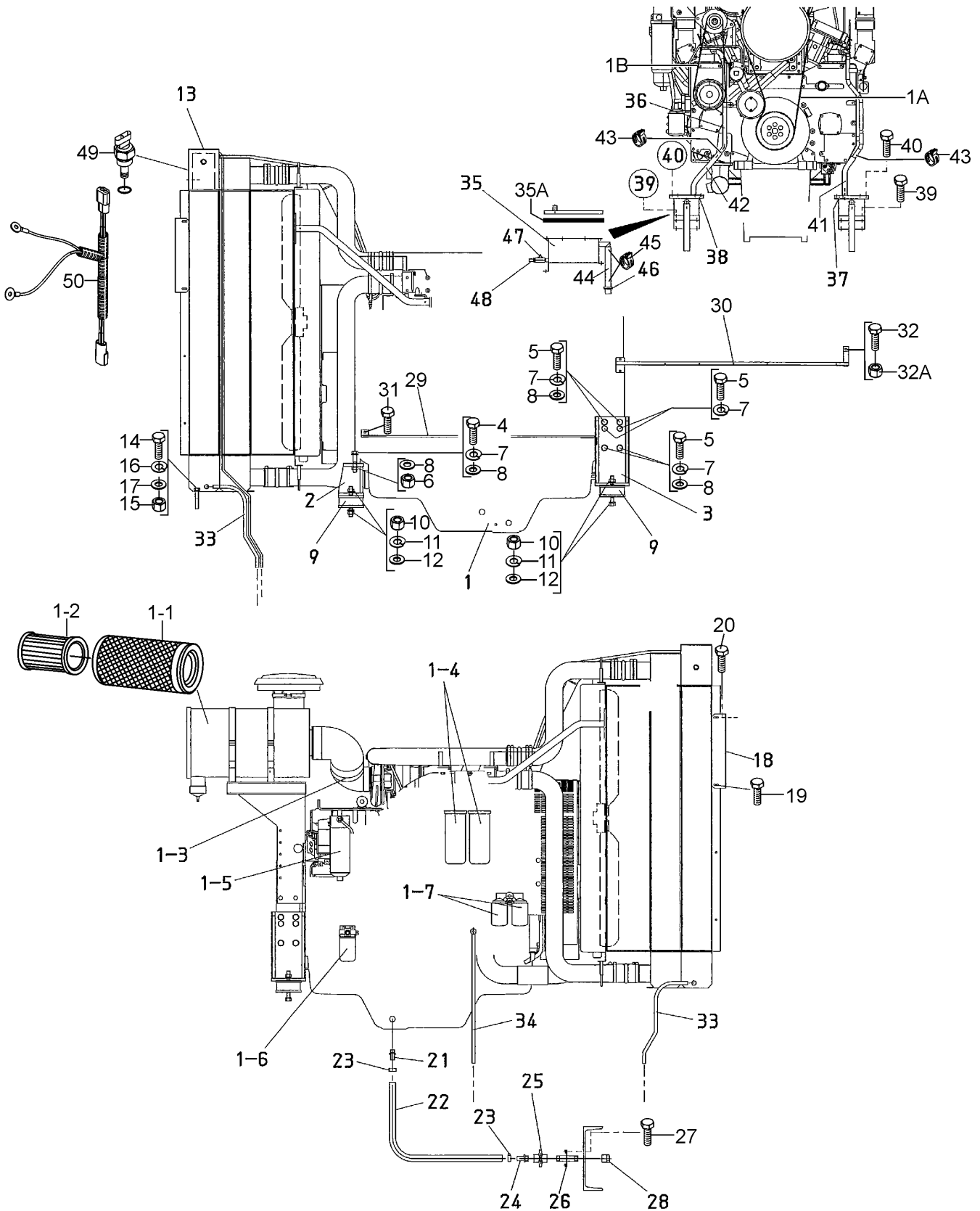
# ENGINE AND RADIATOR ASSY.



## ENGINE AND RADIATOR ASSY.

<u>NO.</u>	<u>PART NO.</u>	<u>PART NAME</u>	<u>QTY.</u>	<u>REMARKS</u>
1	QST30G5	ENGINE	1	
1A	3094884	BELT, FAN	1	
1B	3094909	BELT, ALTERNATOR	1	
1-1	S7000647	ELEMENT, AIR CLEANER, OUTER	2	
1-2	S7000496	ELEMENT, AIR CLEANER, INNER	2	
1-3	178957	INDICATOR, DUST	2	
1-4	4367100	OIL FILTER	2	
1-5	4095189	FUEL FILTER	1	
1-6	4010476	FUEL PRE FILTER	1	
1-7	3100308	CORROSION RESISTOR	2	
2	C6304200704	ENGINE FOOT	1	
3	C6304200804	ENGINE FOOT	2	
4	Y0010120110	HEX. HEAD BOLT	2	
5	0010120055	HEX. HEAD BOLT	12	
6	0030020000	HEX. NUT	2	
7	030220510	WASHER, LOCK.....	14	REPLACES P/N 0040020000
8	0401450200	WASHER, FLAT .....	12	REPLACES P/N 0041620000
9	0605000012	RUBBER SUSPENSION	5	
10	0030020000	HEX. NUT	10	
11	030220510	WASHER, LOCK.....	10	REPLACES P/N 0040020000
12	0401450200	WASHER, FLAT .....	10	REPLACES P/N 0041620000
13	01793196	RADIATOR ASSY.	1	
14	Y0010124065	HEX. HEAD BOLT	12	
15	Y0030024000	HEX. NUT	12	
16	Y0040024000	WASHER, LOCK	12	
17	0401450240	WASHER, FLAT .....	24	REPLACES P/N 0041624000
18	C6311100704	BRACKET, RADIATOR	2	
19	0017110025	HEX. HEAD BOLT	4	
20	011208025	HEX. HEAD BOLT.....	4	REPLACES P/N 0017108025
21	C9201100204	NIPPLE	1	
22	0191600900	HOSE	1	
23	0605515074	HOSE BAND	2	
24	0602022294	HOSE JOINT	1	
25	0603325017	VALVE	1	
26	C0321200004	DRAIN JOINT	1	
27	0019208025	HEX. HEAD BOLT	2	
28	C0321300004	PLUG	1	
29	C6358300804	CLAMPER ROD	1	
30	C6358301303	CLAMPER ROD	1	
31	012210020	HEX. HEAD BOLT.....	2	REPLACES P/N 0017110020
32	011008020	HEX. HEAD BOLT.....	2	REPLACES P/N 0017108020
32A	020108060	HEX. NUT .....	2	REPLACES P/N 0207008000
33	Y0193800600	HOSE	2	
34	Y0193800700	HOSE	1	
35	C6327200303	OIL MIST TANK	2	
35A	C6491700004	RUBBER SEAL	2	

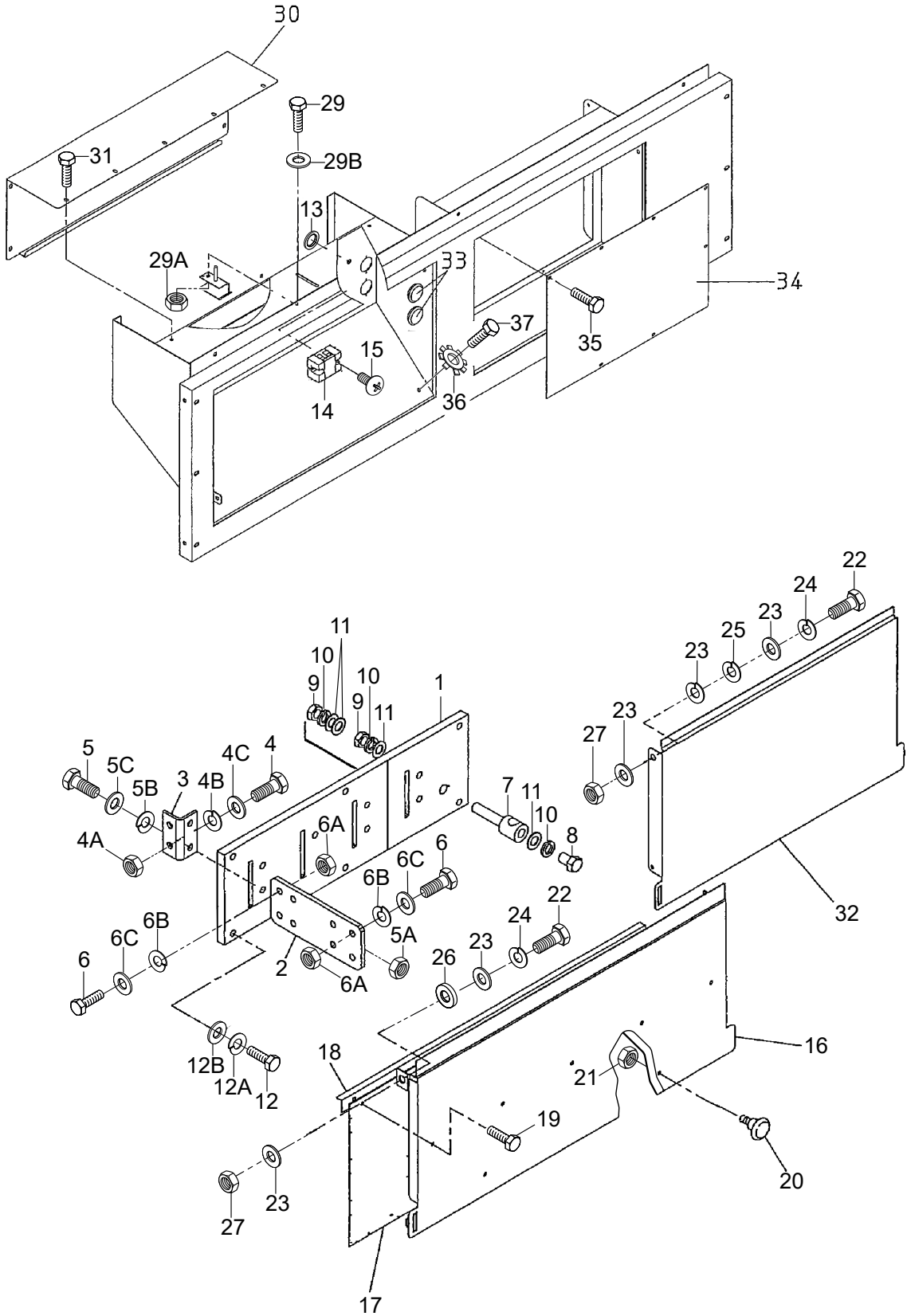
# ENGINE AND RADIATOR ASSY. (CONT.)



## ENGINE AND RADIATOR ASSY. (CONT.)

<u>NO.</u>	<u>PART NO.</u>	<u>PART NAME</u>	<u>QTY.</u>	<u>REMARKS</u>
36	C6327100204	BREATHER PIPE	1	
37	C6327200404	COVER	1	
38	C6327200504	COVER	1	
39	011008020	HEX. HEAD BOLT .....	8.....	REPLACES P/N 0017108020
40	011206020	HEX. HEAD BOLT .....	16.....	REPLACES P/N 0017106020
41	Y0268500300	HOSE	1	
42	Y0268500350	HOSE	1	
43	0605515074	HOSE BAND	4	
44	Y0268900280	HOSE	1	
45	0605515134	HOSE BAND	2	
46	Y0601850273	GROMMET	2	
47	0603325011	VALVE	2	
48	Y0602022738	HOSE JOINT	2	
49	2872769	COOLANT LEVEL SENSOR	1	
50	4984048	HARNESS	1	
51	TBD	RADIATOR HOSE, UPPER	1	
52	TBD	RADIATOR HOSE, LOWER	1	

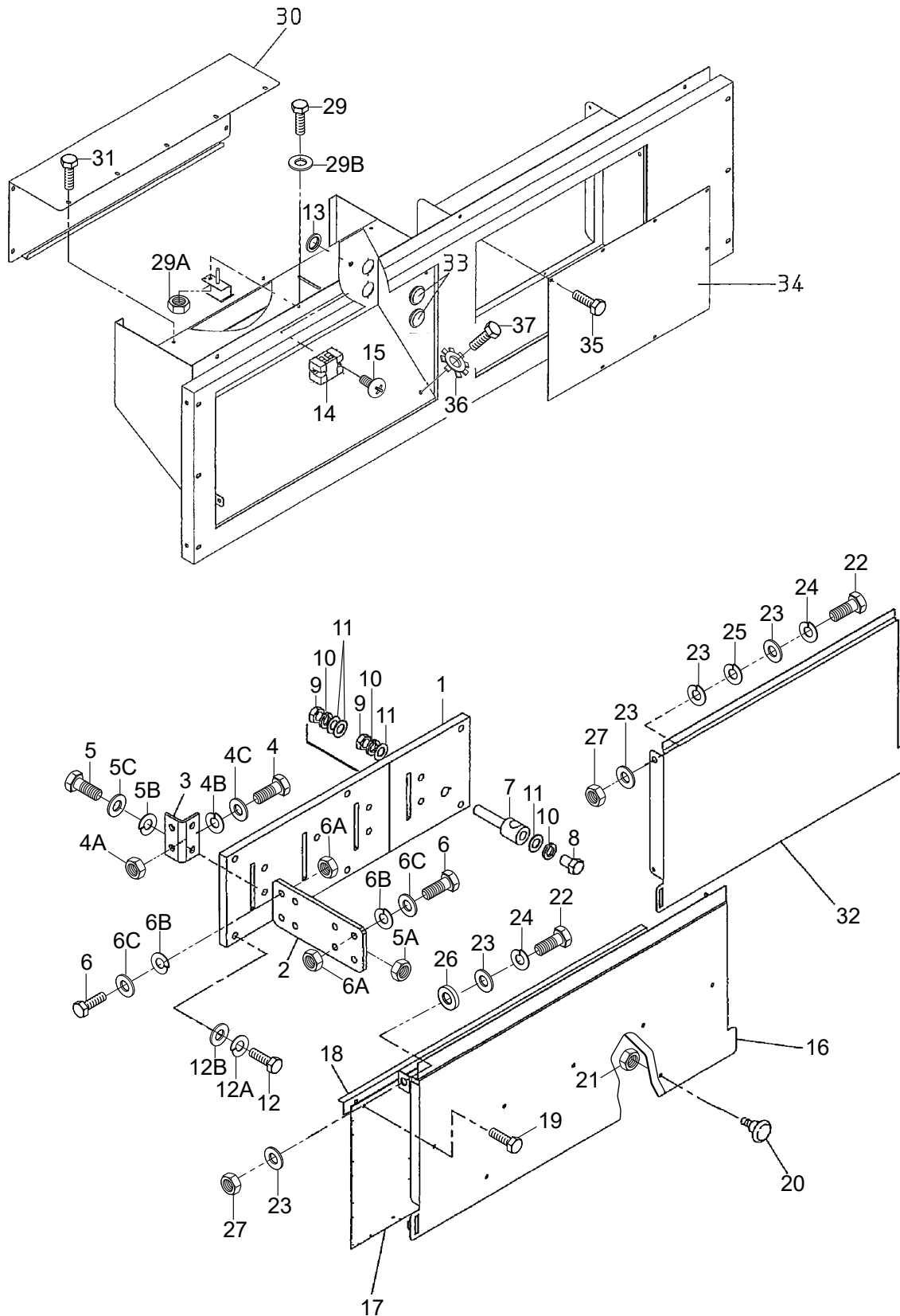
# OUTPUT TERMINAL ASSY.



## OUTPUT TERMINAL ASSY.

<u>NO.</u>	<u>PART NO.</u>	<u>PART NAME</u>	<u>QTY.</u>	<u>REMARKS</u>
1	C4231700603	SET BOARD, OUTPUT TERMINAL	1	
2	7521860504	OUTPUT TERMINAL	4	
3	7521850504	BRACKET, OUTPUT TERMINAL	4	
4	0010112040	HEX. HEAD BOLT	8	
4A	0030012000	HEX. NUT	8	
4B	0040012000	WASHER, LOCK	8	
4C	031112230	WASHER, FLAT .....	16.....	REPLACES P/N 0041212000
5	012212045	HEX. HEAD BOLT .....	8.....	REPLACES P/N 0010112045
5A	0030012000	HEX. NUT	8	
5B	0040012000	WASHER, LOCK	8	
5C	031112230	WASHER, FLAT .....	16.....	REPLACES P/N 0041212000
6	0010112040	HEX. HEAD BOLT	24	
6A	0030012000	HEX. NUT	24	
6B	0040012000	WASHER, LOCK	24	
6C	031112230	WASHER, FLAT .....	48.....	REPLACES P/N 0041212000
7	0801830404B	TERMINAL.....	1.....	REPLACES P/N 0801830404
8	0801830904	HEX. HEAD BOLT	1	
9	0039320000	HEX. NUT	2	
10	030220510	WASHER, LOCK.....	3.....	REPLACES P/N 0040020000
11	0041420000	WASHER, FLAT	4	
12	0019112050	HEX. HEAD BOLT	6	
12A	0042312000	WASHER, LOCK	6	
12B	0042412000	WASHER, FLAT	6	
13	0601850275	GROMMET	1	
14	0601815324	TERMINAL BOARD	1	
15	0027104020	MACHINE SCREW	2	
16	C4237101304	COVER, OUTPUT TERMINAL	1	
17	7971867114	RUBBER SHEET	1	
18	7521865804	SET PLATE, RUBBER SHEET	1	
19	011206020	HEX. HEAD BOLT .....	5.....	REPLACES P/N 0019206020
20	0605010660	KNOB	2	
21	0176060030	HEX. NUT .....	2.....	REPLACES P/N 0207006000
22	012212045	HEX. HEAD BOLT .....	4.....	REPLACES P/N 0010112045
23	031112230	WASHER, FLAT .....	10.....	REPLACES P/N 0041212000
24	0040012000	WASHER, LOCK	4	
25	0605050060	WASHER, LOCK	2	

# OUTPUT TERMINAL ASSY. (CONT.)

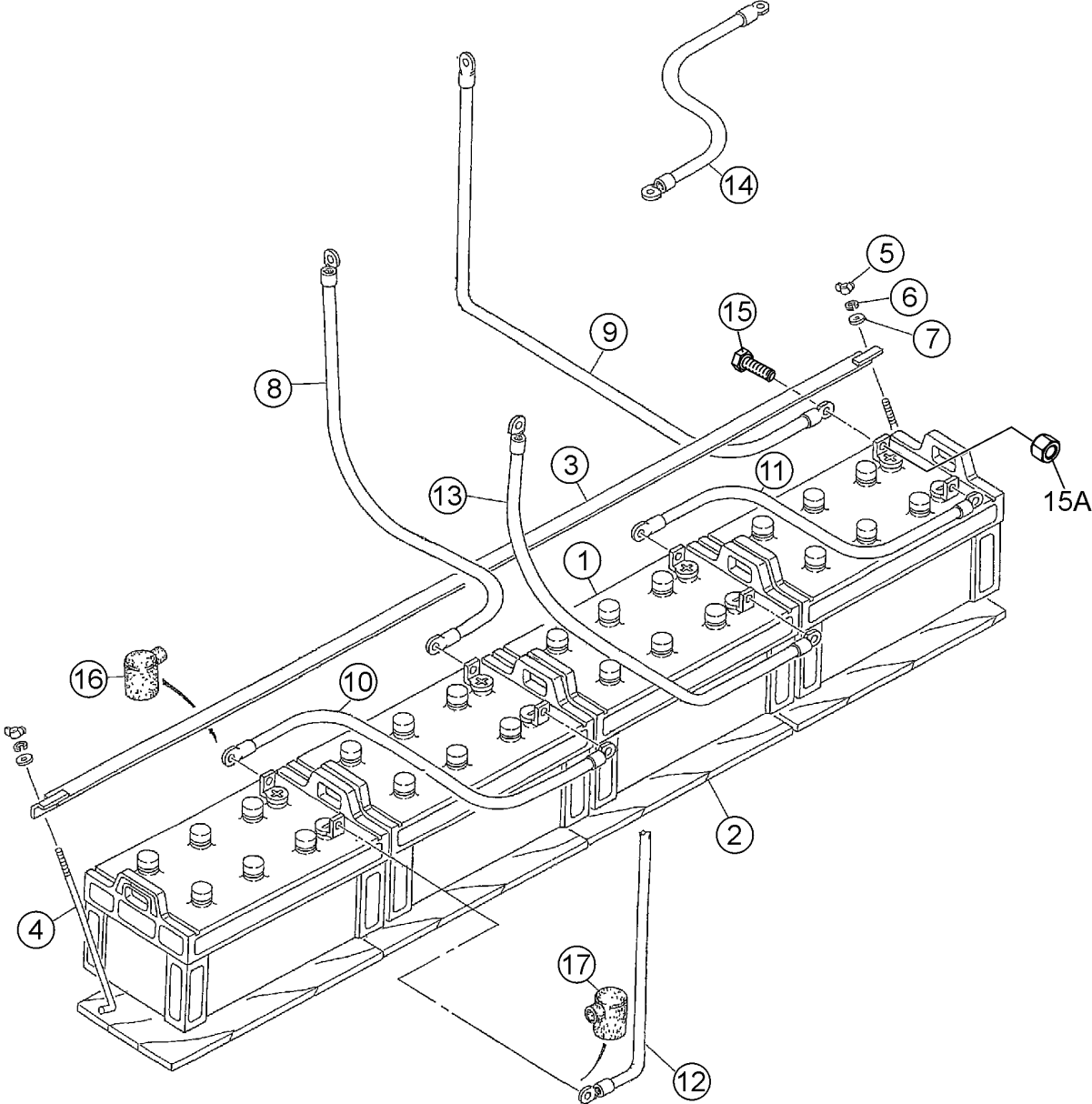


## OUTPUT TERMINAL ASSY. (CONT.)

---

<u>NO.</u>	<u>PART NO.</u>	<u>PART NAME</u>	<u>QTY.</u>	<u>REMARKS</u>
26	0805009804	STAY RUBBER	2	
27	0030012000	HEX. NUT	4	
28	7521865603	STOPPER	1	
29	0010108030	HEX. HEAD BOLT	1	
29A	020108060	HEX. NUT .....	1.....	REPLACES P/N 0030008000
29B	0401450080	WASHER, FLAT .....	2.....	REPLACES P/N 0041208000
30	C6237102504	COVER	1	
31	011008020	HEX. HEAD BOLT .....	9.....	REPLACES P/N 0017108020
32	C6237102403	COVER	1	
33	0601851780	GROMMET	2	
34	C6454400604	COVER	1	
35	0019206015	HEX. HEAD BOLT	10	
36	0040510000	TOOTHED WASHER	1	
37	0019210025	HEX. HEAD BOLT	1	

**BATTERY ASSY.**

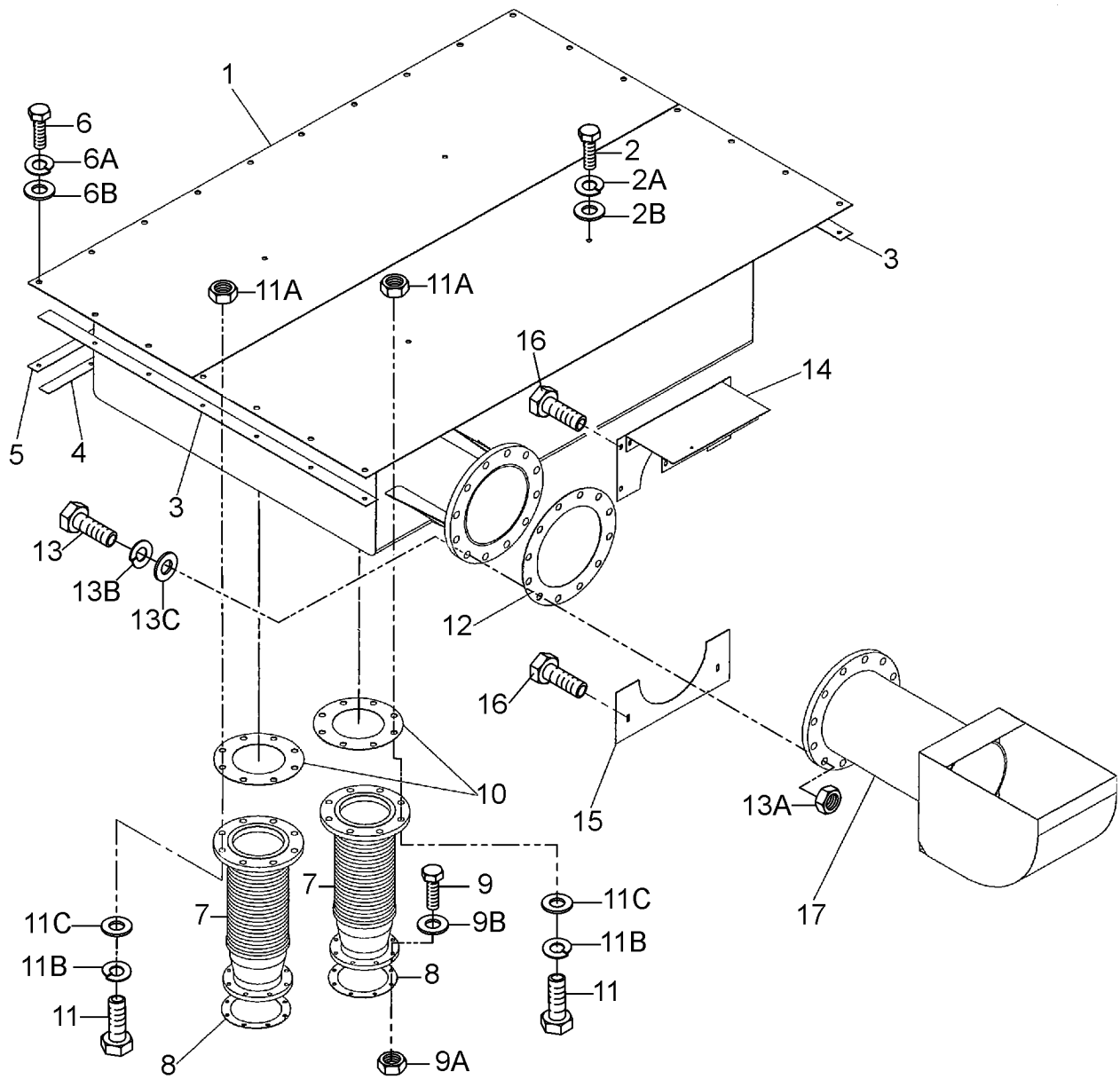


## BATTERY ASSY.

---

<u>NO.</u>	<u>PART NO.</u>	<u>PART NAME</u>	<u>QTY.</u>	<u>REMARKS</u>
1	0165719052	BATTERY, 12V-200AH	4	
2	C9109100704	BATTERY SHEET	4	
3	C9104000404	BATTERY BAND	1	
4	0805006504	BATTERY BOLT	2	
5	57216	WING NUT.....	2.....	REPLACES P/N 0037808000
6	0040008000	WASHER, LOCK	2	
7	031108160	WASHER, FLAT.....	2.....	REPLACES P/N 0041608000
8	C3347602604	BATTERY CABLE	1	
9	C3347602704	BATTERY CABLE	1	
10	C6347601604	BATTERY CABLE	1	
11	C6374601604	BATTERY CABLE	1	
12	C6347601404	BATTERY CABLE	1	
13	C6347602804	BATTERY CABLE	1	
14	C6347600604	GROUND CABLE	1	
15	Y0347012030	HEX. HEAD BOLT	8	
15A	Y0208112000	HEX. NUT	8	
16	0845040114	TERMINAL CAP (+)	4	
17	0845041004	TERMINAL CAP (-)	4	

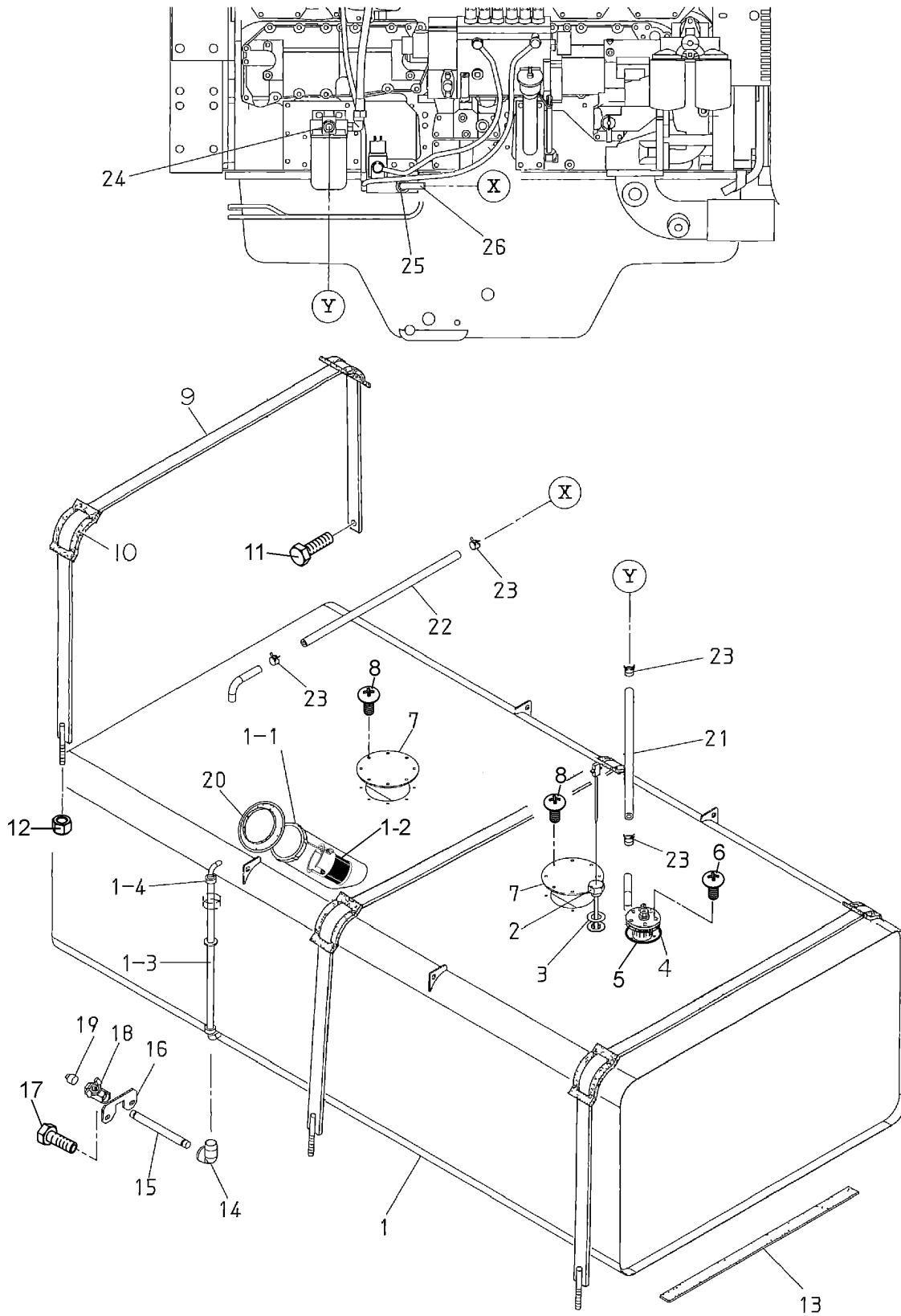
# MUFFLER ASSY.



# MUFFLER ASSY.

<u>NO.</u>	<u>PART NO.</u>	<u>PART NAME</u>	<u>QTY.</u>	<u>REMARKS</u>
1	C6331100902	MUFFLER	1	
2	0019116025	HEX. HEAD BOLT	4	
2A	Y0042316000	WASHER, LOCK	4	
2B	0042416000	WASHER, FLAT	4	
3	C6334201104	PACKING	2	
4	C6334201304	PACKING	1	
5	C6334201204	PACKING	1	
6	0019110030	HEX. HEAD BOLT	22	
6A	0042310000	WASHER, LOCK	22	
6B	Y0047010030	WASHER, FLAT	22	
7	C6334000503	EXHAUST PIPE	2	
8	C6334201004	GASKET	2	
9	0017110050	HEX. HEAD BOLT	16	
9A	020310080	HEX. NUT .....	16.....	REPLACES P/N 0030010000
9B	031110160	WASHER, FLAT .....	16.....	REPLACES P/N 0041610000
10	C4334200504	GASKET	2	
11	0010116070	HEX. HEAD BOLT	16	
11A	0030016000	HEX. NUT	16	
11B	0040016000	WASHER, LOCK	16	
11C	0401450160	WASHER, FLAT .....	16.....	REPLACES P/N 0041616000
12	C6334200204	GASKET	1	
13	Y0010120080	HEX. HEAD BOLT	12	
13A	0030020000	HEX. NUT	12	
13B	030220510	WASHER, LOCK.....	12.....	REPLACES P/N 0040020000
13C	0401450200	WASHER, FLAT .....	24.....	REPLACES P/N 0041620000
14	C6331300904	COVER	1	
15	C6331300104	COVER	1	
16	0019208020	HEX. HEAD BOLT	10	
17	C6334100503	OUTLET PIPE	1	

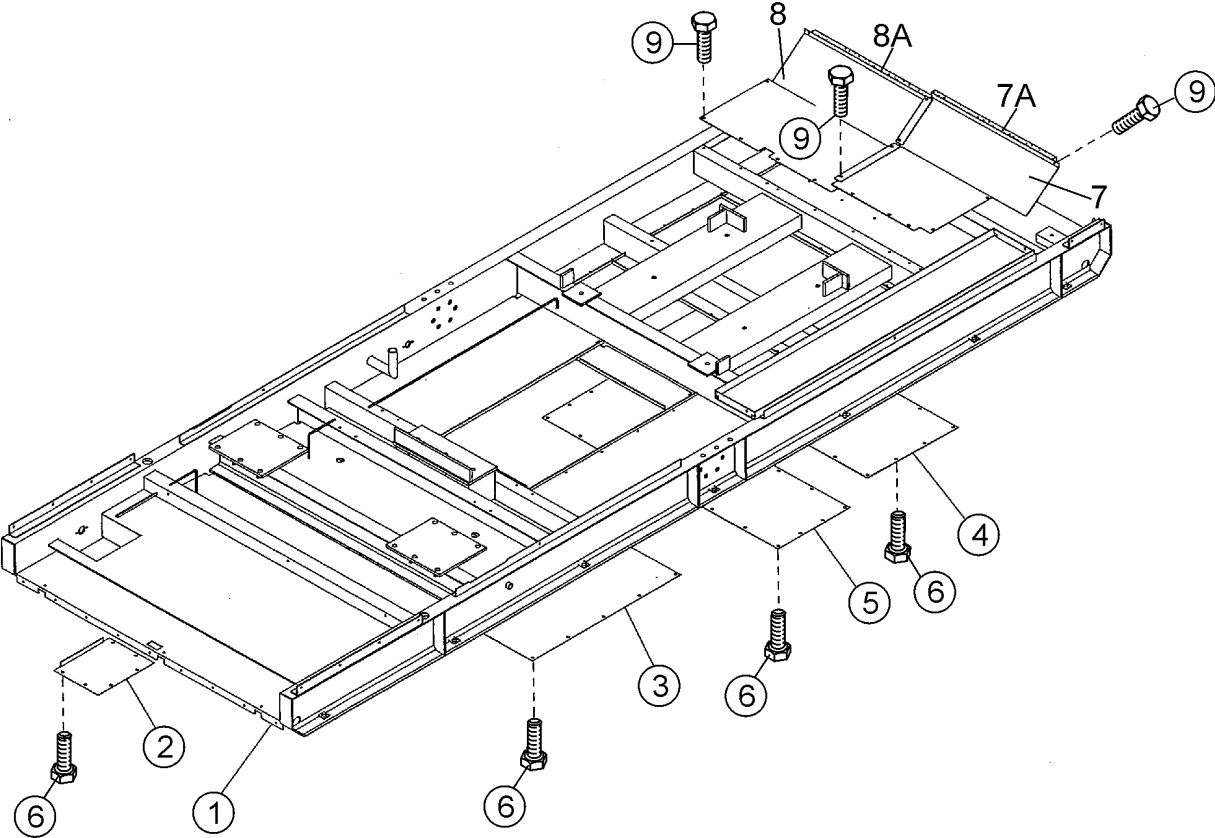
# FUEL TANK ASSY.



## FUEL TANK ASSY.

<u>NO.</u>	<u>PART NO.</u>	<u>PART NAME</u>	<u>QTY.</u>	<u>REMARKS</u>
1	C6364001703	FUEL TANK	1	
1-1	Y0605505025	CAP, FUEL TANK	1	
1-2	0605505105	FUEL FILTER	1	
1-3	Y0264100475	HOSE, FUEL GAUGE	1	
1-4	0605515079	HOSE BAND	2	
2	Y0605503108	FUEL SENSOR	1	
3	0802120604	PACKING	1	
4	Y0605501014	FUEL SENDER	1	
5	0605516090	GASKET	1	
6	0022905015	MACHINE SCREW	5	
7	C1364200104	COVER	2	
8	0022905015	MACHINE SCREW	16	
9	C6364200704	TANK BAND	3	
10	0805003414	PAD, TANK BAND	6	
11	011008020	HEX. HEAD BOLT .....	3.....	REPLACES P/N 0017108020
12	0207308000	HEX. NUT	3	
13	0222100600	TANK SHEET	12	
14	0130206000	STREET ELBOW	1	
15	C6367700604	DRAIN PIPE	1	
16	C1367700304	PLATE, LOCK	1	
17	0019208020	HEX. HEAD BOLT	2	
18	0603325026	VALVE	1	
19	0132006000	PLUG	1	
20	0845039604	RUBBER SEAL	1	
21	Y0265705200	SUCTION HOSE	1	
22	Y0265704100	RETURN HOSE	1	
23	0605515073	HOSE BAND	4	
24	0730100100	ADAPTER	1	
25	0730100200	ADAPTER	1	
26	0730100300	CONNECTOR	1	

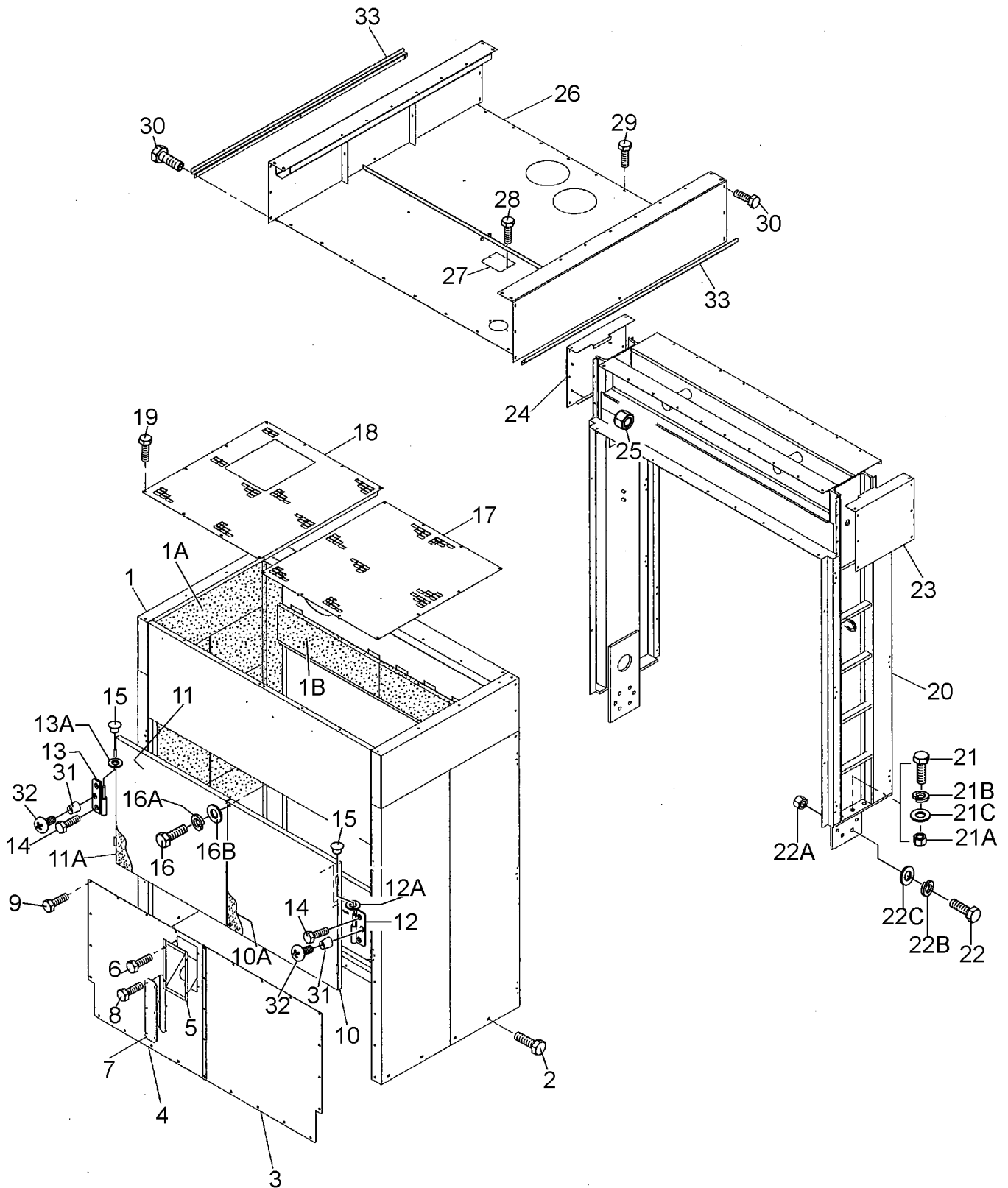
**FLOOR PANEL ASSY.**



**FLOOR PANEL ASSY.**

<u>NO.</u>	<u>PART NO.</u>	<u>PART NAME</u>	<u>QTY.</u>	<u>REMARKS</u>
1	C6414001202	BASE	1	
2	C6414100004	FLOOR PANEL	1	
3	C6414100104	FLOOR PANEL	1	
4	C6414100304	FLOOR PANEL	1	
5	C6414100404	FLOOR PANEL	1	
6	0019208020	HEX. HEAD BOLT	58	
7	C6414601004	PANEL	1	
7A	C6494000304	LINING	1	
8	C6414601104	PANEL	1	
8A	C6494000304	LINING	1	
9	011008020	HEX. HEAD BOLT.....	16.....	REPLACES P/N 0017108020

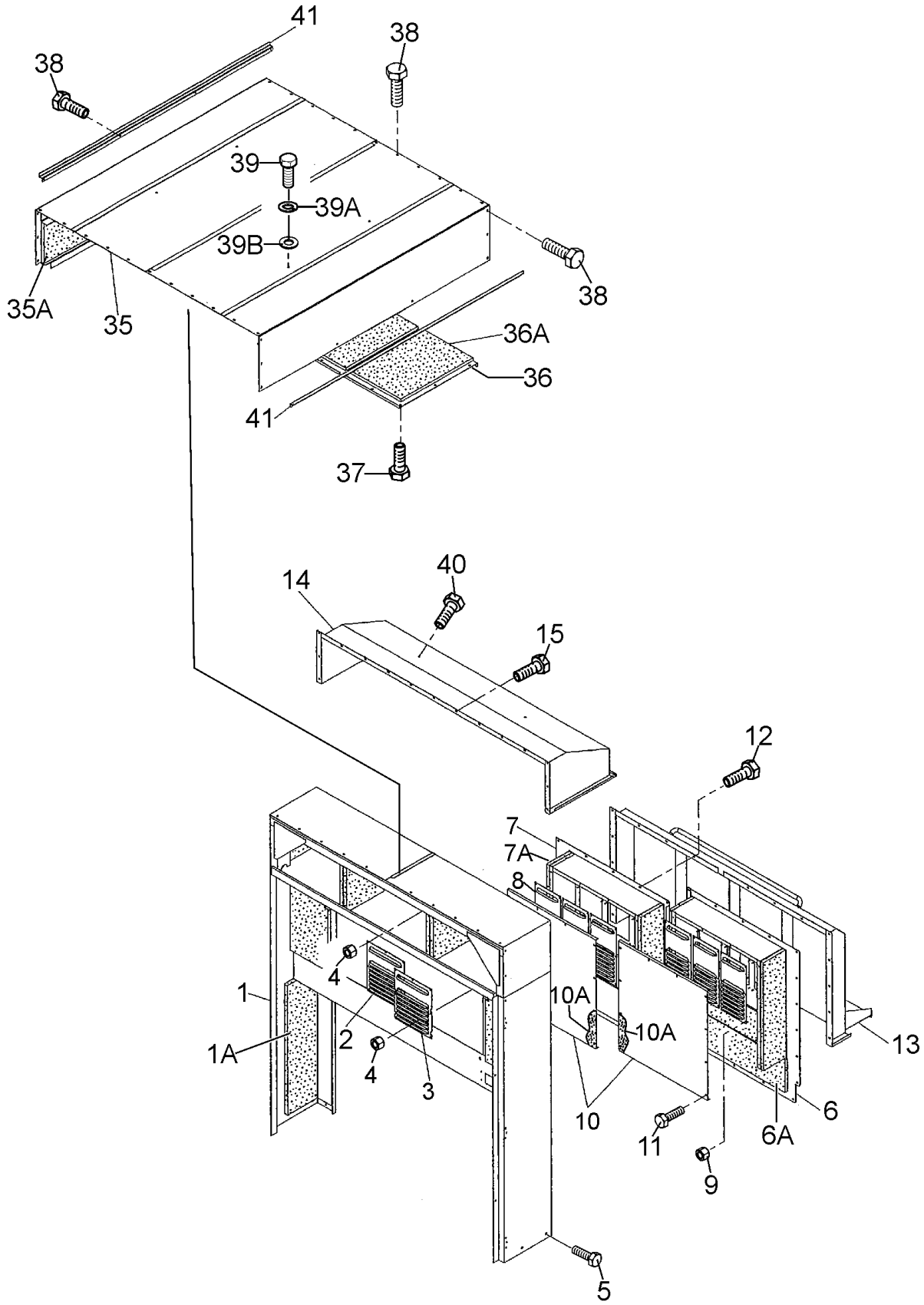
# ENCLOSURE 1 ASSY.



## ENCLOSURE 1 ASSY.

<u>NO.</u>	<u>PART NO.</u>	<u>PART NAME</u>	<u>QTY.</u>	<u>REMARKS</u>
1	C6424002502	FRONT FRAME	1	
1A	C6494101503	LINING	1	
1B	C6494101604	LINING	1	
2	0019210025	HEX. HEAD BOLT	8	
3	C6424201203	COVER, FRONT FRAME	1	
4	C6424201103	COVER, FRONT FRAME	1	
5	0845042703	FILLER BRACKET	1	
6	0019208020	HEX. HEAD BOLT	4	
7	7525125304	COVER	1	
8	011206020	HEX. HEAD BOLT.....	6.....	REPLACES P/N 0019206020
9	0019208020	HEX. HEAD BOLT	27	
10	C6424100303	FRONT PANEL (RT-SIDE)	1	
10A	C6494100504	LINING	1	
11	C6424100203	FRONT PANEL (LT-SIDE)	1	
11A	C6494100504	LINING	1	
12	0845047004	HINGE	2	
12A	0845045004	WASHER	2	
13	0845046904	HINGE	2	
13A	0845045004	WASHER	2	
14	0019208020	HEX. HEAD BOLT	8	
15	0845031504	CAP	4	
16	Y0019110060	HEX. HEAD BOLT	2	
16A	0042310000	WASHER, LOCK	2	
16B	0042410000	WASHER, FLAT	2	
17	C6424202403	COVER, FRONT FRAME	1	
18	C6424202503	COVER, FRONT FRAME	1	
19	0019208020	HEX. HEAD BOLT	22	
20	C6434000502	CENTER FRAME	1	
21	Y0010120080	HEX. HEAD BOLT	6	
21A	0030020000	HEX. NUT	6	
21B	030220510	WASHER, LOCK.....	6.....	REPLACES P/N 0040020000
21C	0401450200	WASHER, FLAT.....	12.....	REPLACES P/N 0041620000
22	Y0010120010	HEX. HEAD BOLT	12	
22A	0030020000	HEX. NUT	12	
22B	030220510	WASHER, LOCK.....	12.....	REPLACES P/N 0040020000
22C	0401450200	WASHER, FLAT.....	24.....	REPLACES P/N 0041620000
23	C6434200704	COVER	1	
24	C6434200604	COVER	1	
25	020108060	HEX. NUT.....	8.....	REPLACES P/N 0207008000
26	C6464101102	ROOF PANEL	1	
27	8452023004	COVER	1	
28	0019208020	HEX. HEAD BOLT	2	
29	0019208020	HEX. HEAD BOLT	17	
30	0019210020	HEX. HEAD BOLT	14	
31	0601850097	STOPPER	4	
32	0027208025	MACHINE SCREW	4	
33	C6464500604	BRACKET	1	

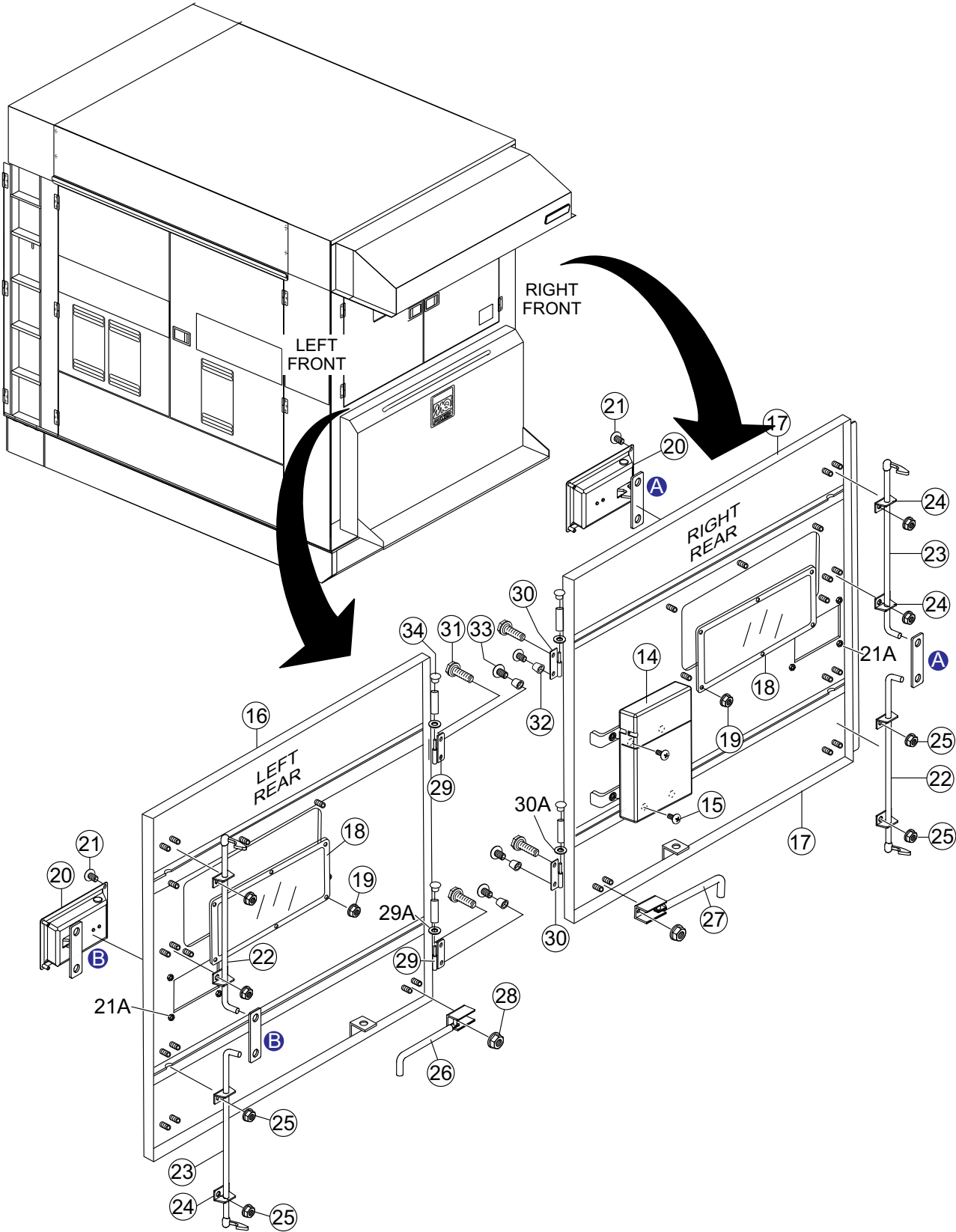
# ENCLOSURE 2 ASSY.



## ENCLOSURE 2 ASSY.

<u>NO.</u>	<u>PART NO.</u>	<u>PART NAME</u>	<u>QTY.</u>	<u>REMARKS</u>
1	C6444001102	REAR FRAME	1	
1A	C5494300803	LINING	1	
2	C6444800004	LOUVER PANEL	4	
3	C6444800104	LOUVER PANEL	2	
4	0176060030	HEX. NUT .....	48	REPLACES P/N 0207006000
5	0019210025	HEX. HEAD BOLT	4	
6	C6444301803	COVER, REAR FRAME	1	
6A	C6494600204	LINING	1	
7	C6444301903	COVER, REAR FRAME	1	
7A	C6494600204	LINING	1	
8	8215151004	LOUVER PANEL	6	
9	0176060030	HEX. NUT .....	36	REPLACES P/N 0207006000
10	C6444302003	DUCT COVER	2	
10A	C6494600304	LINING	2	
11	011008020	HEX. HEAD BOLT .....	20	REPLACES P/N 0017108020
12	0019208020	HEX. HEAD BOLT	34	
13	C6444302103	VISOR	1	
14	C6444302203	VISOR	1	
15	0019208020	HEX. HEAD BOLT	15	
35	C6464201402	ROOF PANEL	1	
35A	C6494500803	LINING	1	
36	C6464500403	PANEL	1	
36A	C6494500304	LINING	1	
37	0019208020	HEX. HEAD BOLT	17	
38	0019210025	HEX. HEAD BOLT	38	
39	Y0019112025	HEX. HEAD BOLT	4	
39A	0042312000	WASHER, LOCK	4	
39B	0042412000	WASHER, FLAT	4	
40	0019210020	HEX. HEAD BOLT	2	
41	C6464500704	BRACKET	2	

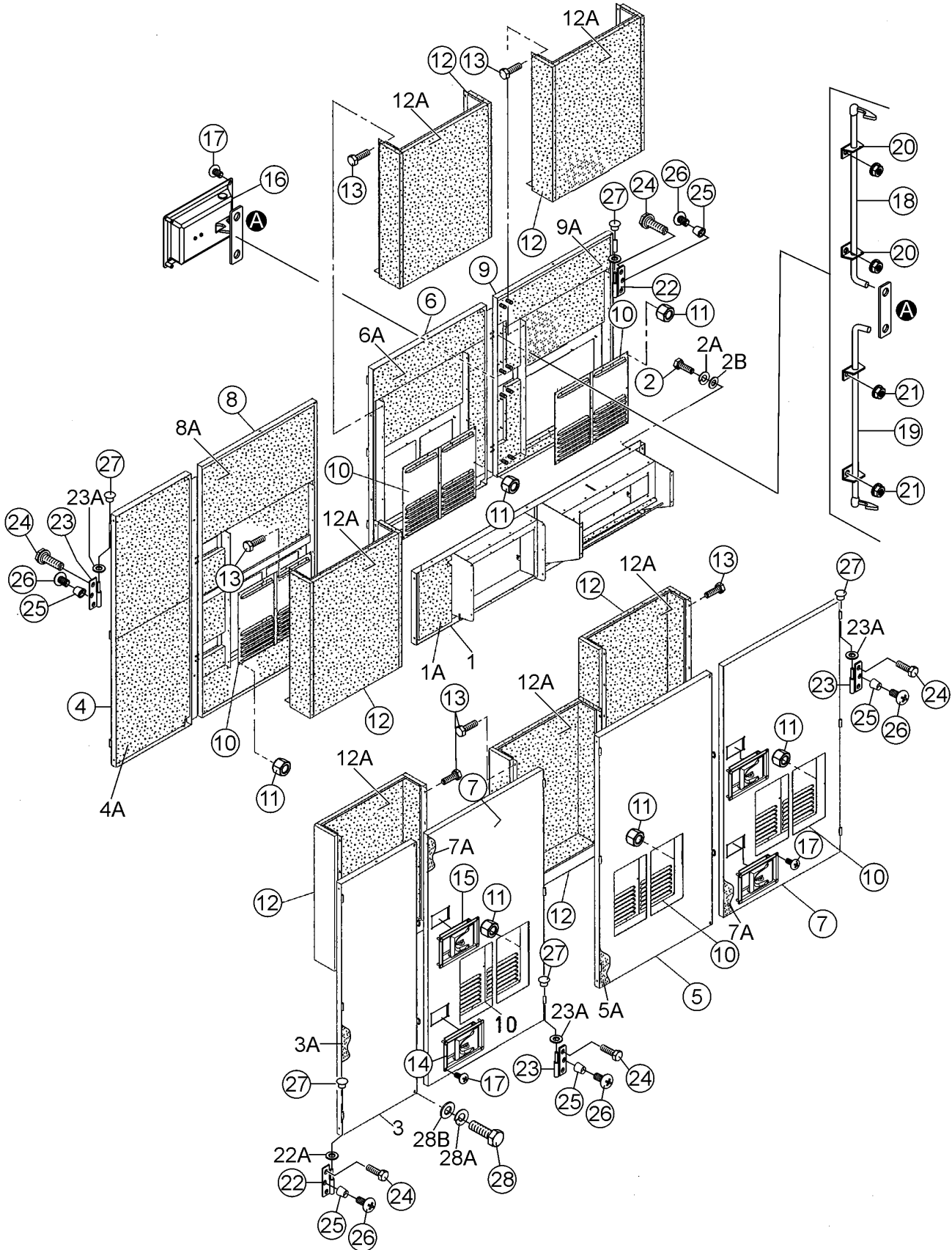
# FRONT DOOR ASSY.



## FRONT DOOR ASSY.

<u>NO.</u>	<u>PART NO.</u>	<u>PART NAME</u>	<u>QTY.</u>	<u>REMARKS</u>
14	0600800320	MANUAL PAK	1	
15	0027106016	MACHINE SCREW .....	4	REPLACES P/N 0021806015
16	C6444201003	DOOR, LEFT REAR FRAME	1	
17	C6444201103	DOOR, RIGHT REAR FRAME	1	
18	C6444600204	WINDOW PLATE	2	
19	020106050	HEX. NUT .....	12	REPLACES P/N 0037906000
20	B9114000102	DOOR HANDLE	2	
21	0021806015	MACHINE SCREW	8	
21A	0176060030	HEX. NUT .....	8	REPLACES P/N 0207006000
22	7525146504	DOOR ROD	2	
23	7525146404	DOOR ROD	2	
24	0845050704	STAY	8	
25	0176060030	HEX. NUT .....	16	REPLACES P/N 0207006000
26	0805011304	STOPPER, DOOR	1	
27	0805011204	STOPPER, DOOR	1	
28	0176060030	HEX. NUT .....	4	REPLACES P/N 0207006000
29	M9110100204	HINGE.....	2	REPLACES P/N 0845047104
29A	0845045004	WASHER	2	
30	M9110100304	HINGE.....	2	REPLACES P/N 0845047204
30A	0845045004	WASHER	2	
31	0019208020	HEX. HEAD BOLT	4	
32	0601850097	STOPPER	4	
33	0027208025	MACHINE SCREW	4	
34	0845031504	CAP	4	

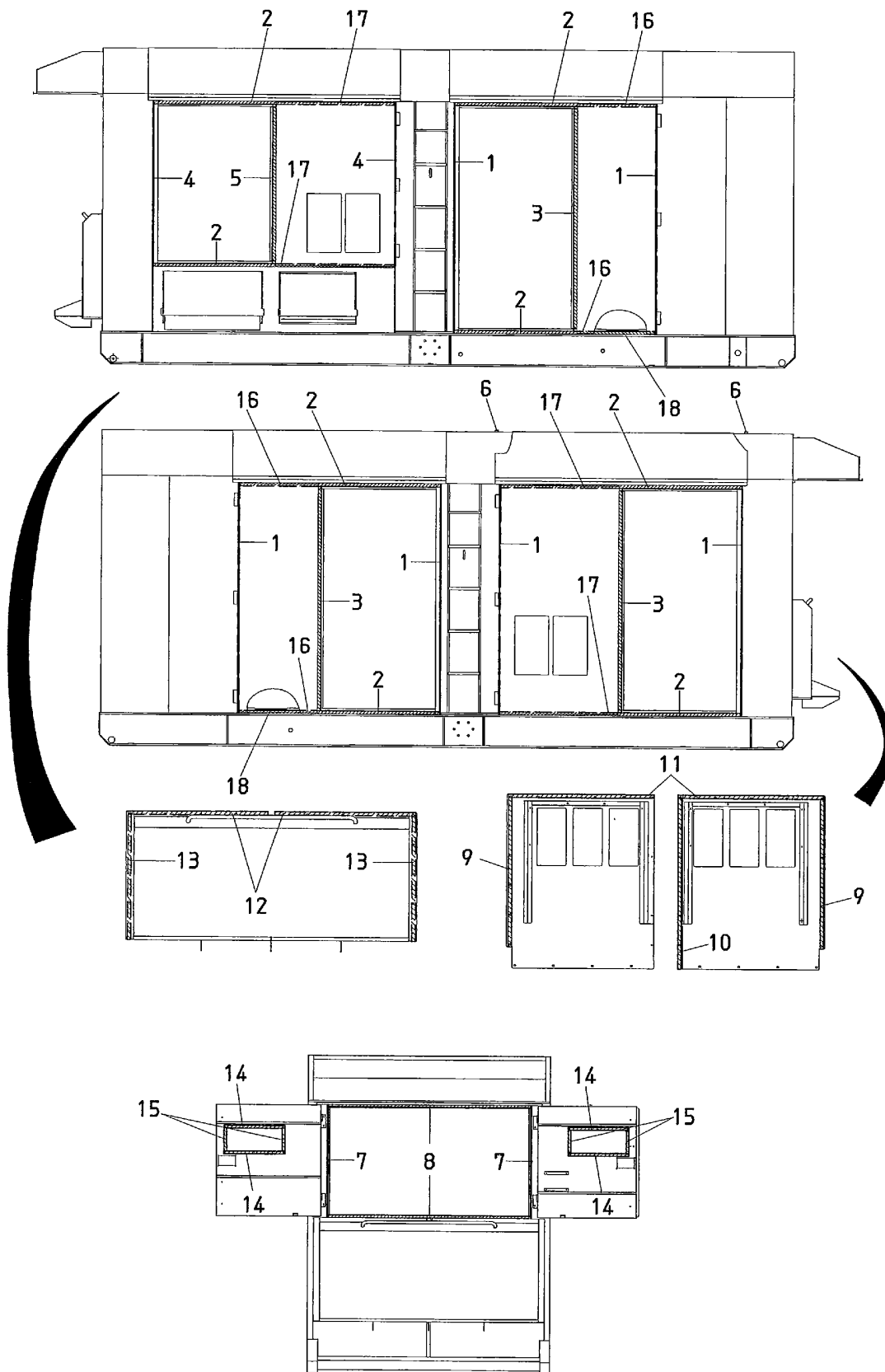
# ENCLOSURE 3 ASSY.



## ENCLOSURE 3 ASSY.

<u>NO.</u>	<u>PART NO.</u>	<u>PART NAME</u>	<u>QTY.</u>	<u>REMARKS</u>
1	C6454202202	SPLASHER PANEL	1	
1A	C6494406004	LINING	1	
2	0019110070	HEX. HEAD BOLT	6	
2A	0042310000	WASHER, LOCK	6	
2B	0042410000	WASHER, FLAT	6	
3	C6454102503	SIDE PANEL	1	
3A	C6494406304	LINING	1	
4	C6454102603	SIDE PANEL	1	
4A	C6494406304	LINING	1	
5	C6454102703	SIDE PANEL	1	
5A	C6494406404	LINING	1	
6	C6454102803	SIDE PANEL	1	
6A	C6494406504	LINING	1	
7	C6454002003	SIDE DOOR	2	
7A	C6494406104	LINING	2	
8	C6454002503	SIDE DOOR	1	
8A	C6494406104	LINING	1	
9	C6454002603	SIDE DOOR	1	
9A	C6494406204	LINING	1	
10	C6454700004	LOUVER PANEL	6	
11	0176060030	HEX. NUT .....	66	REPLACES P/N 0207006000
12	C6454300004	DUCT	6	
12A	C6491500204	LINING	6	
13	0019208020	HEX. HEAD BOLT	60	
14	B9114000002	DOOR HANDLE	3	
15	M9113000102	DOOR HANDLE.....	3	REPLACES P/N 0825007362
16	B9114000102	DOOR HANDLE	1	
17	0021806015	MACHINE SCREW	28	
18	7525146504	DOOR ROD	1	
19	7525146404	DOOR ROD	1	
20	0845050704	STAY	4	
21	0176060030	HEX. NUT .....	8	REPLACES P/N 0207006000
22	0845046904	HINGE	12	
22A	0845045004	WASHER	12	
23	0845047004	HINGE	12	
23A	0845045004	WASHER	12	
24	0019208020	HEX. HEAD BOLT	57	
25	0601850097	STOPPER	15	
26	0027208025	MACHINE SCREW	1	
27	0845031504	CAP	24	
28	0019110070	HEX. HEAD BOLT	8	
28A	0042310000	WASHER, LOCK	8	
28B	0042410000	WASHER, FLAT	8	

# RUBBER SEAL ASSY.

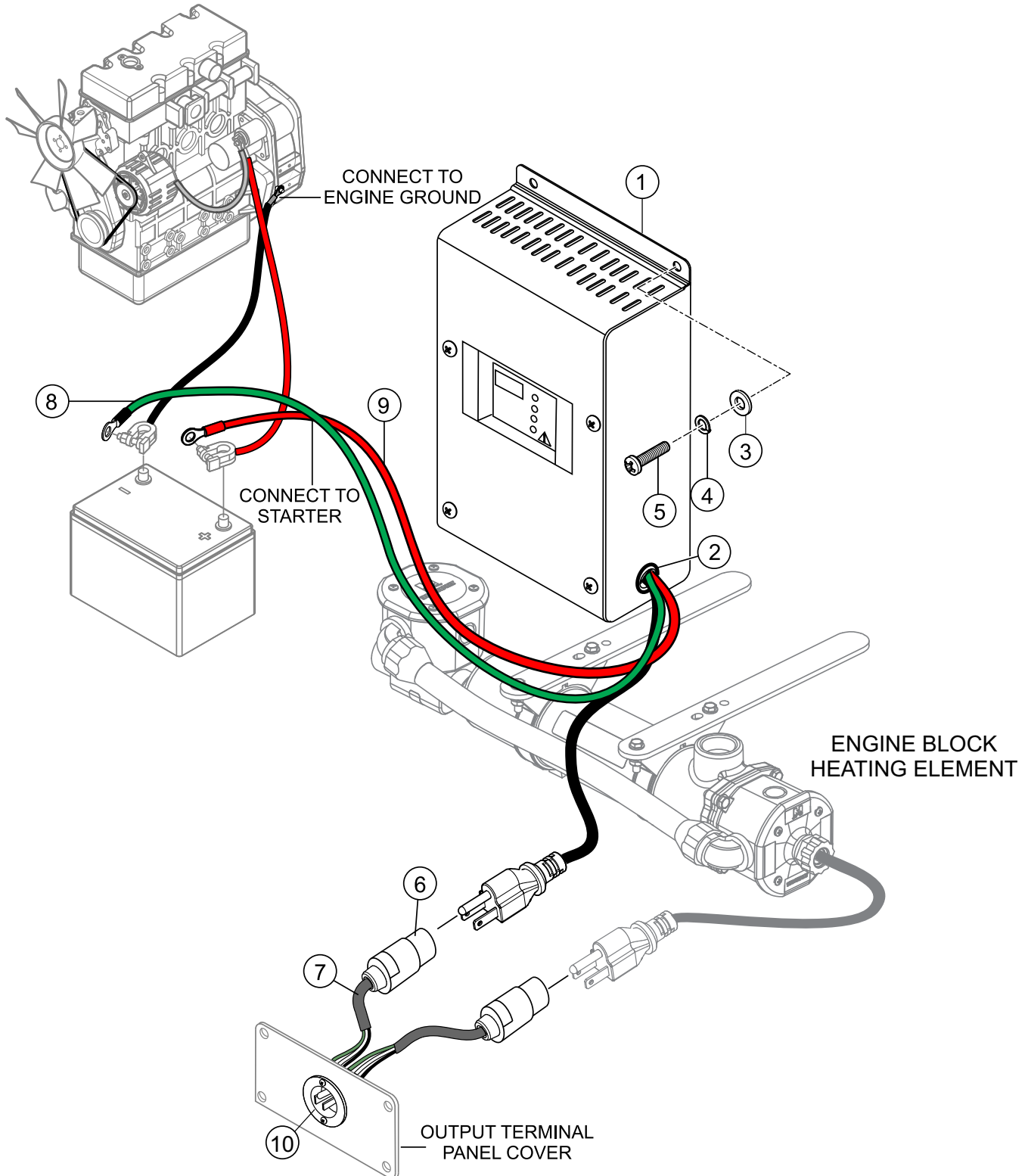


## **RUBBER SEAL ASSY.**

---

<u>NO.</u>	<u>PART NO.</u>	<u>PART NAME</u>	<u>QTY.</u>	<u>REMARKS</u>
1	Y0228902120	RUBBER SEAL	6	
2	Y0228901110	RUBBER SEAL	8	
3	Y0228902060	RUBBER SEAL	3	
4	Y0228901520	RUBBER SEAL	2	
5	Y0228901460	RUBBER SEAL	1	
6	Y0229202200	RUBBER SEAL	2	
7	0228801030	RUBBER SEAL	2	
8	Y0228801840	RUBBER SEAL	2	
9	0229201090	RUBBER SEAL	2	
10	Y0229201245	RUBBER SEAL	1	
11	Y0229201050	RUBBER SEAL	2	
12	Y0229201010	RUBBER SEAL	2	
13	Y0229200915	RUBBER SEAL	2	
14	Y0229100550	RUBBER SEAL	4	
15	Y0229100210	RUBBER SEAL	4	
16	Y0314800710	RUBBER SEAL	4	
17	Y0314801075	RUBBER SEAL	4	
18	Y0226900280	RUBBER SEAL	2	

# BATTERY CHARGER ASSY. (OPTION)

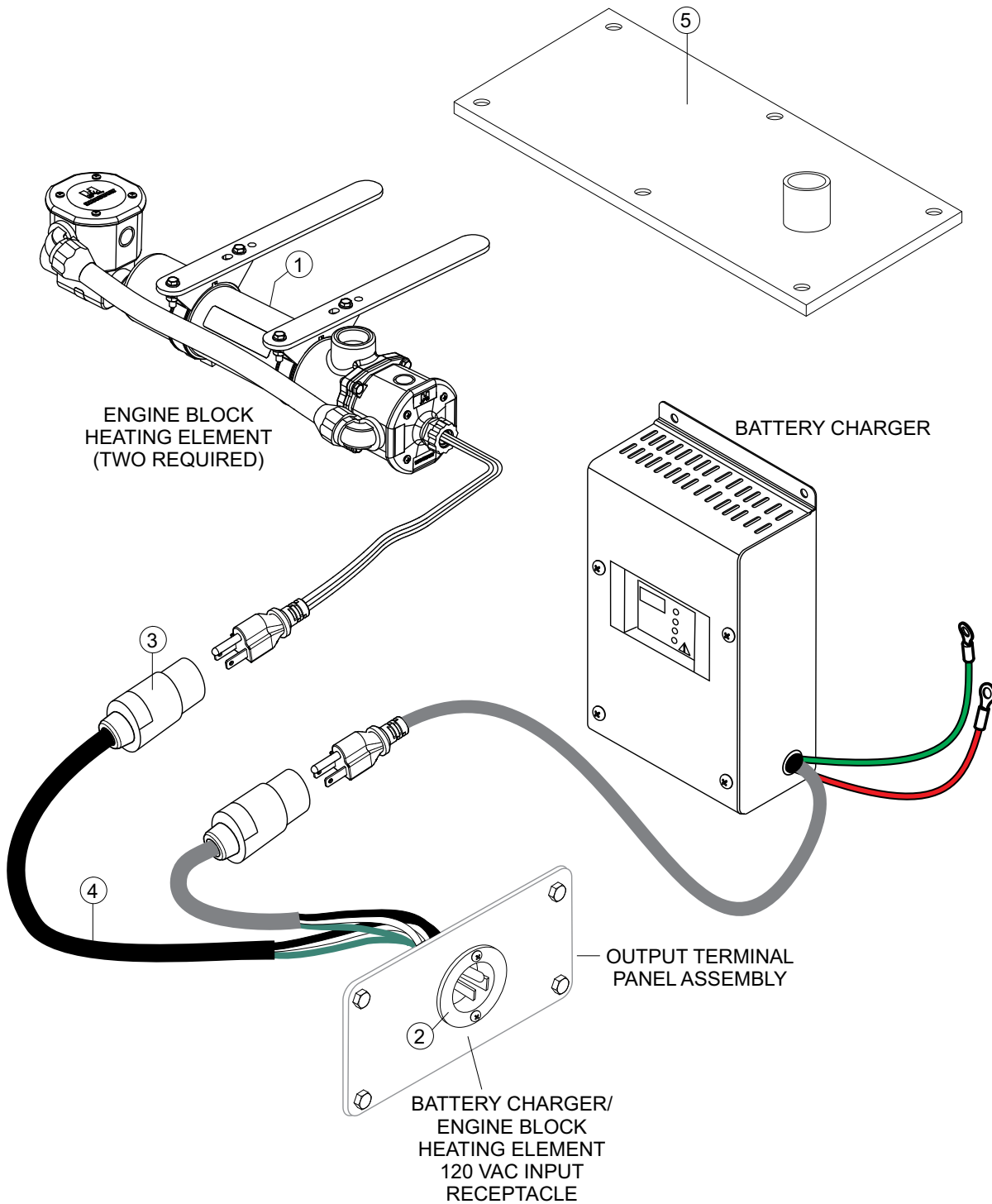


## **BATTERY CHARGER ASSY. (OPTION)**

---

<u>NO.</u>	<u>PART NO.</u>	<u>PART NAME</u>	<u>QTY.</u>	<u>REMARKS</u>
1	EE57370	CHARGER, 10A 12/24V NRG BATTERY	1	
2		GROMMET, 7/8" HOLE SIZE.....	1.....	OBTAIN LOCALLY
3		WASHER, FLAT M4.....	4.....	OBTAIN LOCALLY
4		WASHER, LOCK M4.....	4.....	OBTAIN LOCALLY
5		SCREW, M4 X 10 .....	4.....	OBTAIN LOCALLY
6	HBL5369C	CONNECTOR, 20AMP, 125V	1	
7	EE56557	CORD, 3-CONDUCTOR, 14 AWG (10 FT.) .....	10.....	1PC=1FT
8		WIRE, 16 AWG. , GREEN.....	AR.....	OBTAIN LOCALLY
9		WIRE, 16 AWG RED.....	AR.....	OBTAIN LOCALLY
10	HBL5278C	INLET FLANGE 15AMP NEMA, 125V	1	

# JACKET WATER HEATER ASSY. (OPTION)

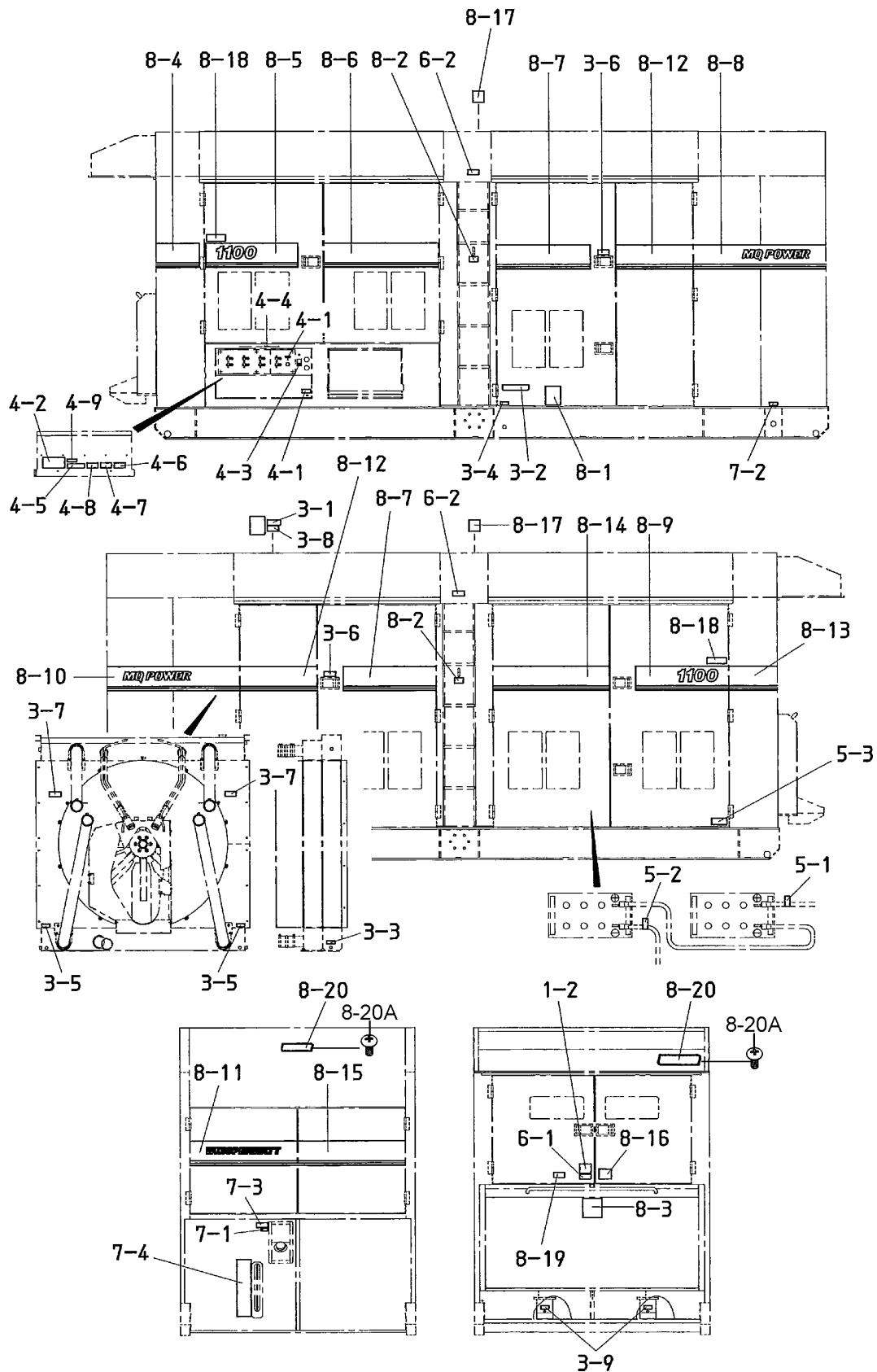


## **JACKET WATER HEATER ASSY. (OPTION)**

---

<u>NO.</u>	<u>PART NO.</u>	<u>PART NAME</u>	<u>QTY.</u>	<u>REMARKS</u>
1	SB120110-200	HEATER, 2000W, 120VAC	2	
2	HBL5378C	INLET FLANGE 20AMP NEMA	1	
3	HBL5369C	CONNECTOR, 20AMP, 125V	1	
4	EE56557	CORD, 3-CONDUCTOR, 14 AWG (2 FT.)	1	1PC=1FT
5	EE51868	CASE COVER	1	

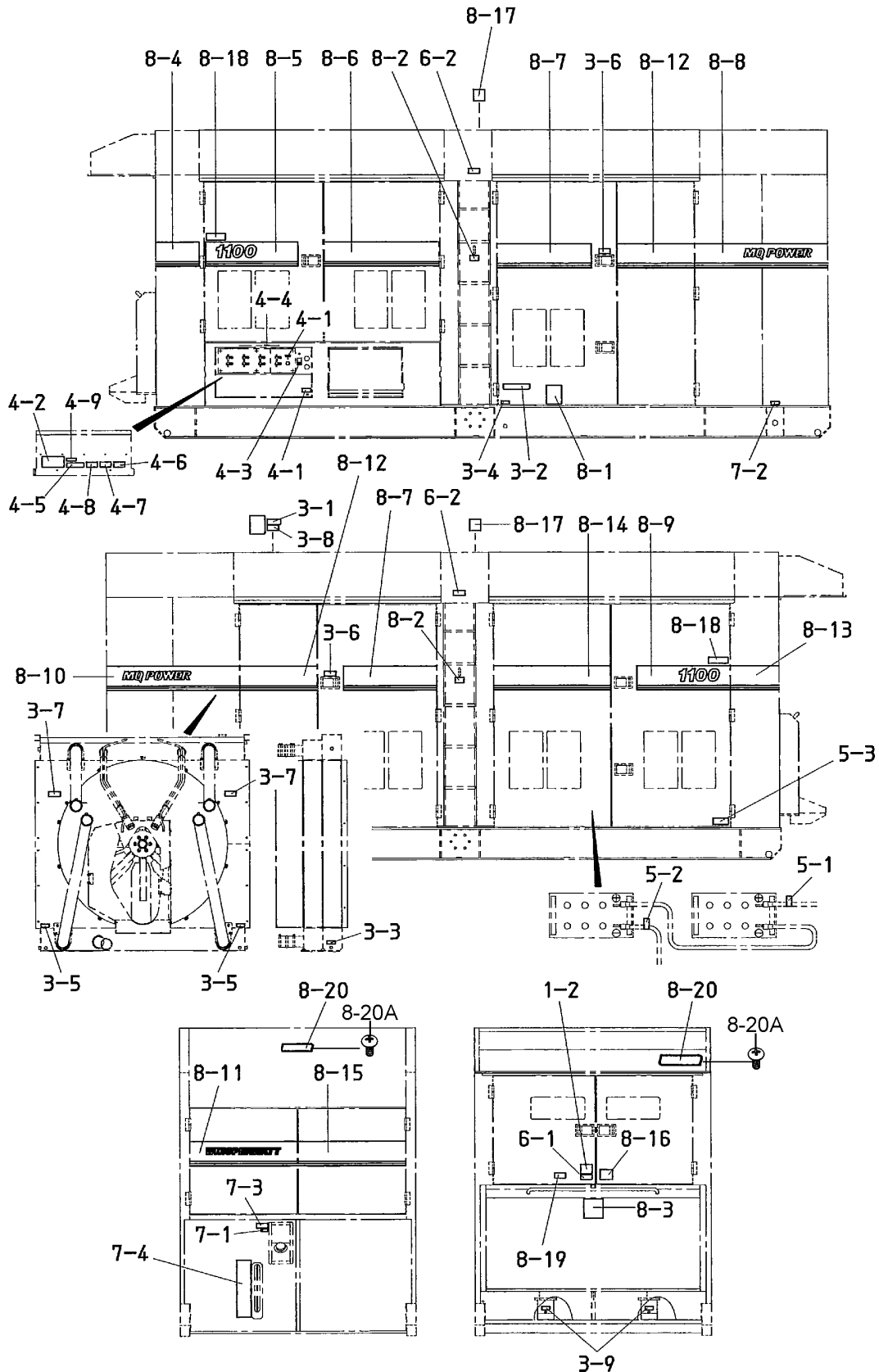
# NAMEPLATE AND DECALS 1 ASSY.



## NAMEPLATE AND DECALS 1 ASSY.

<u>NO.</u>	<u>PART NO.</u>	<u>PART NAME</u>	<u>QTY.</u>	<u>REMARKS</u>
1-2	B9521100404	DECAL; SAFETY INSTRUCTIONS .....	1.....	B92110040
<b>ENGINE AND RADIATOR GROUP</b>				
3-1	C6561000203	DECAL; COOLING WATER .....	1.....	S-961
3-2	1320610603	DECAL; WATER · OIL .....	2.....	S-1760
3-3	6360620104	DECAL; COOLING WATER DRAIN PLUG .....	2.....	S-1884
3-4	6360620204	DECAL; OIL DRAIN PLUG .....	1.....	S-1885
3-5	M9500100304	DECAL; INTER COOLER DRAIN .....	2.....	M90010030
3-6	B9504000304	DECAL; CAUTION HOT PARTS .....	2.....	B90400030
3-7	B9504000404	DECAL; WARNING MOVING PARTS .....	2.....	B90400040
3-8	B9504100104	DECAL; WARNING HOT COOLANT .....	1.....	B90410010
3-9	C9541000904	DECAL; OIL MIST TANK DRAIN VALVE.....	2.....	C94100090
<b>OUTPUT TERMINAL GROUP</b>				
4-1	0840614104	DECAL; GROUND .....	2.....	S-2635
4-2	M9520100404	DECAL; DANGER HIGH VOLTAGE .....	1.....	S-2731 REPLACES P/N 0840619904
4-3	9039209064	DECAL; START CONTACT .....	1.....	S-4468
4-4	0840655704	DECAL; TERMINAL COVER STOPPER .....	1.....	S-4516
4-5	C6551003804	DECAL; 3-PHASE OUTPUT TERMINAL.....	1.....	C65100380
4-6	B9511100304	DECAL; WARNING .....	1.....	B91110030
4-7	B9511100404	DECAL; WARNING ELECT. SHK. HAZARD .....	1.....	B91110040
4-8	B9531100504	DECAL; WARNING ELECT. SHK. HAZARD .....	1.....	B93110050
4-9	M9521200604	DECAL; BONDED NEUTRAL.....	1.....	M92120060
<b>BATTERY GROUP</b>				
5-1	0800689404	DECAL; + .....	2.....	S-2090 REPLACES P/N W0800689404
5-2	0800689504	DECAL; - .....	2.....	S-2091 REPLACES P/N W0800689504
5-3	C9505300004	DECAL; CAUTION .....	1.....	C90530000
<b>MUFFLER GROUP</b>				
6-1	B9504200004	DECAL; WARNING ENGINE EXHAUST .....	1.....	B90420000
6-2	B9511100204	DECAL; CAUTION HOT SURFACES .....	2.....	B91110020
<b>FUEL TANK GROUP</b>				
7-1	1320620904	DECAL; DIESEL FUEL .....	1.....	S-1756
7-2	6360620004	DECAL; FUEL DRAIN PLUG .....	1.....	S-1883
7-3	B9504500004	DECAL; WARNING DIESEL FUEL .....	1.....	B90450000
7-4	C9507200204	DECAL; FUEL GAUGE .....	1.....	C90720020

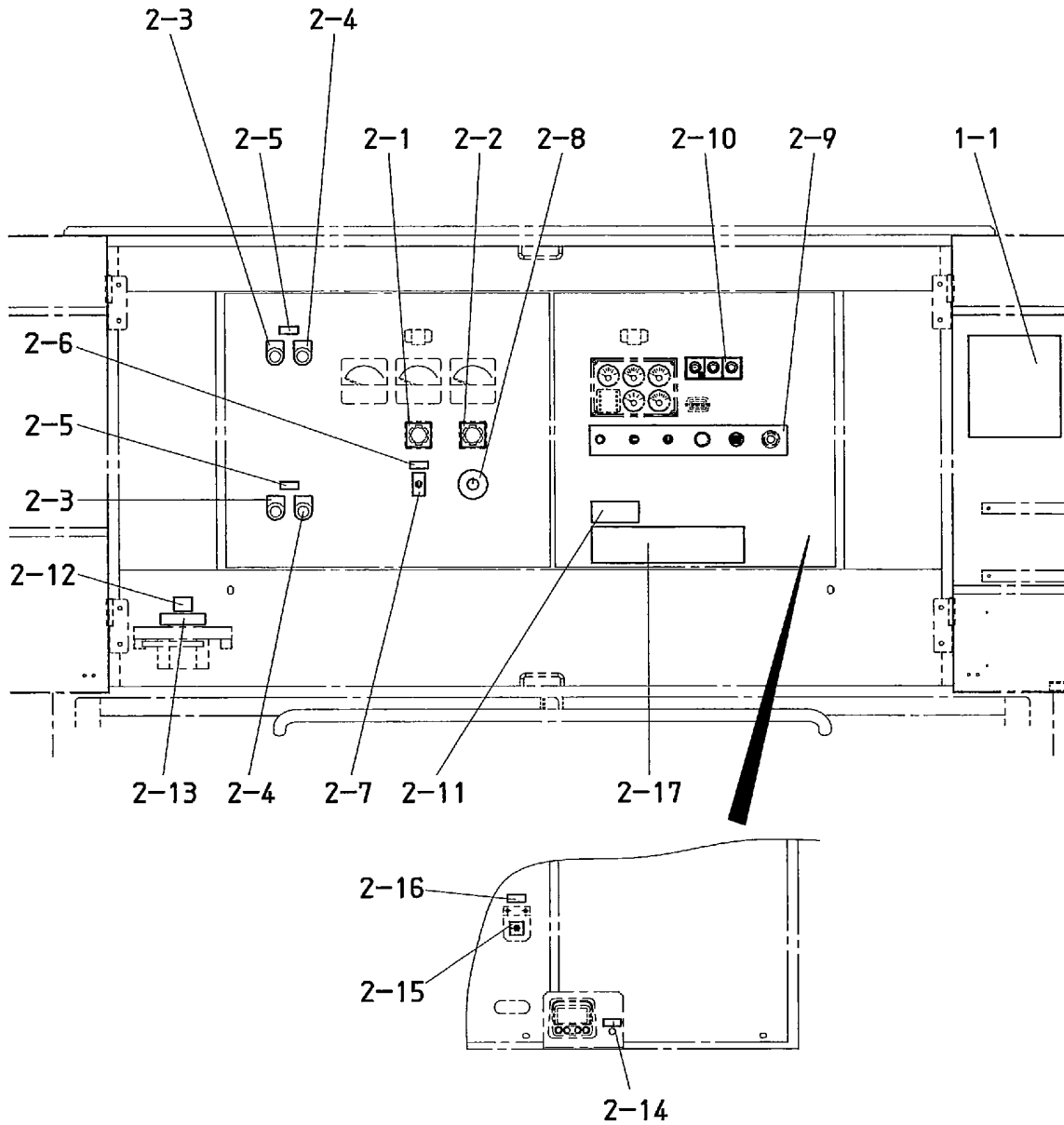
# NAMEPLATE AND DECALS 1 ASSY. (CONT.)



## NAMEPLATE AND DECALS 1 ASSY. (CONT.)

<u>NO.</u>	<u>PART NO.</u>	<u>PART NAME</u>	<u>QTY.</u>	<u>REMARKS</u>
<b>ENCLOSURE GROUP</b>				
8-1	0800615102	DECAL; CAUTION AGAINST OIL.....	1.....	S-544A
8-2	1320621504	DECAL; SUPPORT HOOK .....	2.....	S-2257
8-3	0840625902	DECAL; MQ .....	1.....	S-3057
8-4	C6561100104	STRIPE	1	
8-5	C6561100203	STRIPE	1	
8-6	C6561100304	STRIPE	1	
8-7	C6561100404	STRIPE	2	
8-8	C6561100503	STRIPE	1	
8-9	C6561100603	STRIPE	1	
8-10	C6561100703	STRIPE	1	
8-11	C6561100803	STRIPE	1	
8-12	C6561100904	STRIPE	2	
8-13	C6561101004	STRIPE	1	
8-14	C6561101104	STRIPE	1	
8-15	C6561101204	STRIPE	1	
8-16	A9504000014	DECAL; DANGER.....	1.....	A90400001
8-17	C9511101804	DECAL; CAUTION .....	2.....	C91110180
8-18	M9520100603	DECAL; CAUTION .....	2.....	C92210000
				REPLACES P/N C9522100003
8-19	M9504200004	DECAL; WARNING START FIRES .....	1.....	M90420000
8-20	0600500090	EMBLEM	2	
8-20A	0021106015	MACHINE SCREW	4	

# NAMEPLATE AND DECALS 2 ASSY.



## NAMEPLATE AND DECALS 2 ASSY.

<u>NO.</u>	<u>PART NO.</u>	<u>PART NAME</u>	<u>QTY.</u>	<u>REMARKS</u>
1-1	C6551003703	DECAL; HANDLING PROCEDURES .....	1.....	C65100370
<b>CONTROL PANEL AND BOX GROUP</b>				
2-1	0800520904	PLATE; AMMETER CHANGE-OVER SW. ....	1.....	N-2438
2-2	0800520814	PLATE; VOLTMETER CHANGE-OVER SW. ....	1.....	N-2439
2-3	0800564004	PLATE; OFF .....	2.....	N-3805
2-4	0800565004	PLATE; ON.....	2.....	N-3806
2-5	0840624504	DECAL; CIRCUIT BREAKER .....	2.....	S-3031
2-6	0840624604	DECAL; PANEL LIGHT SWITCH .....	1.....	S-3032
2-7	0800520100	PLATE; ON-OFF .....	1.....	AT-202
2-8	0840624804	DECAL; VOLTAGE REGULATOR.....	1.....	S-3034
2-9	C6551003404	DECAL; OPERATING PANEL.....	1.....	C65100340
2-10	C6551003304	DECAL; WARNING LAMP .....	1.....	C65100330
2-11	B9531100604	DECAL; WARNING ELECT. SHK. HAZARD .....	1.....	B93110060
2-12	C0551000504	DECAL; BATTERY SWITCH.....	1.....	C05100050
2-13	C9521028704	DECAL; ON-OFF .....	1.....	C92102870
2-14	Z0110001504	DECAL; RESET .....	1.....	Z01000150
2-15	C9502400004	DECAL; HIGH IDLE SPEED .....	1.....	C90240000
2-16	C9521102304	DECAL.....	1.....	C92110230
2-17	C6561000203	DECAL; MQ POWER.....	1.....	C66100020