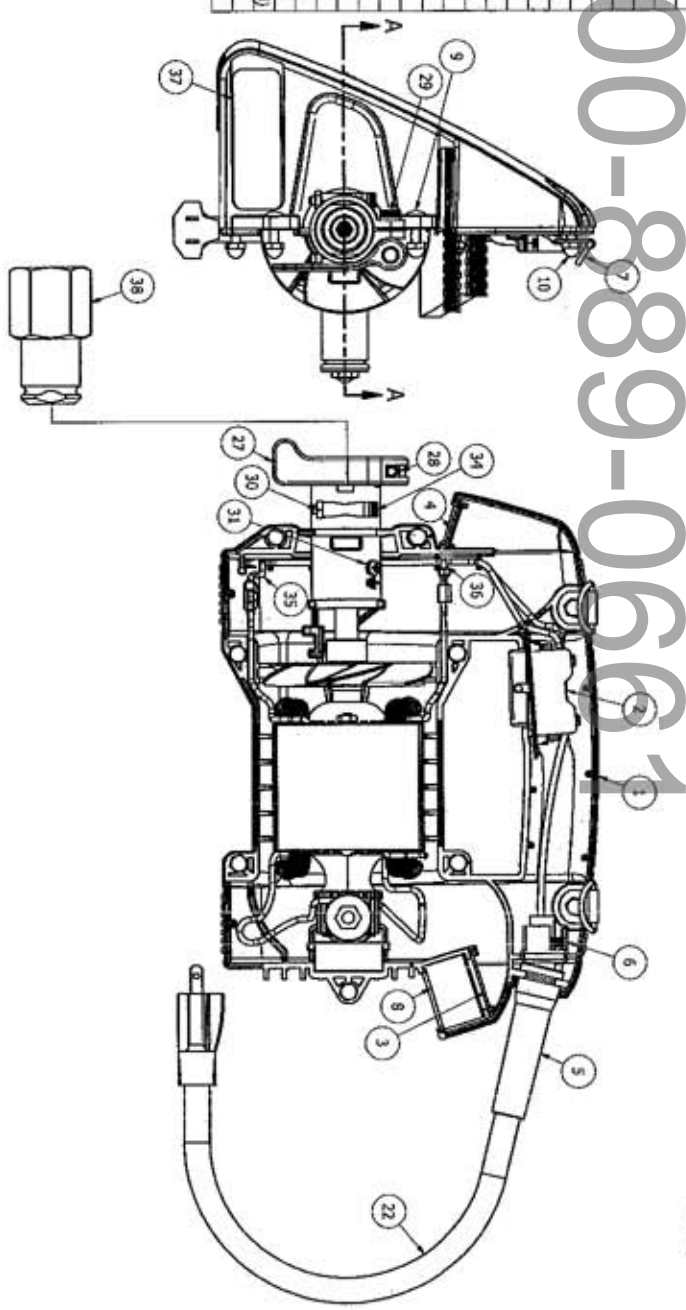
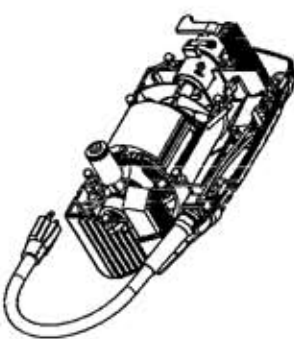
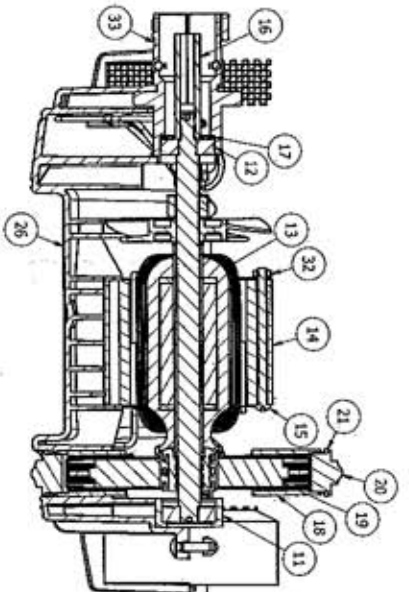


ITEM	QTY	PART NUMBER	DESCRIPTION
1	1	WA23106	HOUSING, GOLD. (RIGHT SIDE NOT SHOWN)
2	1	WA23110	SWITCH, ROCKER; 20A 125-250 VAC
3	1	WA23130	SCREEN, INTAKE
4	1	WA23131	SCREEN, EXHAUST
5	1	WA15538	BAND RELIEF
6	1	WA23133	STRAIN RELIEF BUSHING
7	2	WA19014	O-RING
8	1	WA23132	FILTER INTAKE
9	9	WA23140	CARRIAGE SCREW; 10-32 UNF; 3/4"
10	9	WA23141	ACORN NUT, SELF-LOCKING; 10-32 UNF
11	1	WA21125	CUP BEARING; OFFSET; ANODIZE
12	2	WA09909	BEARING, BALL; 1.18 OD; .394 BORE
13	1	WA23120	ARMATURE; 15 AMP; 115 VOLT
14	1	WA23121	FIELD; 15 AMP; 115 VOLT
15	1	WA15212	SCREW, MACHINE; 10-32 X 3"
16	1	WA15518	DRIVER, HEX; MOTOR
17	1	WA15533	SPRING, LOADING
18	2	WA23115	BRUSH HOLDER
19	2	WA23117	ASSEMBLY, BRUSH & SPRING; 115V
20	2	WA23106	BRUSH CAP
21	2	WA23107	BRUSH CAP O-RING
22	1	WA23150	CORD SET; 115V; 2 WIRE; W/PLUG
23	1	WA19013	STRAP, CARRY (NOT SHOWN)
24	1	WA23158	CORD CLAMP (NOT SHOWN)
25	1	WA23188	LABEL, HEAD CHART (NOT SHOWN)
26	1	WA23210	LABEL, 994
27	1	WA23320	Q.D. LEVER
28	1	WA23331	Q.D. LEVER BUSHING
29	1	WA23332	Q.D. SELF-LOCKING SHOULDER SCREW
30	2	WA23336	NUT, HEX; #10-24
31	1	WA23345	SCREW, PAN HEAD; #8-32; W/TOOTH LOCKWASHER
32	1	WA23346	NUT, HEX; #10-32; W/TOOTH LOCKWASHER
33	1	WA23320	Q.D. MOTOR CONNECTOR; GROUND
34	2	WA23337	Q.D. SCREW
35	1	WA23550	FIELD TO SWITCH WIRE (LONG WIRE)
36	1	WA25551	FIELD TO SWITCH WIRE (SHORT WIRE)
37	1	WA23200	NAMEPLATE; MOTOR; 994; 115V; DOUBLE INSULATED
38	1	RF101138	Q.D. TO THREAD ADAPTOR; ASSEMBLY
39	1	RF101138	LABEL, HIPOT TEST; PASSED (NOT SHOWN)
40	1	WA23179	SHIPPING CARTON; 994 (NOT SHOWN)
41	2	WA23173	SHIPPING CARTON; INSERT (NOT SHOWN)
42	1	WA23174	SELF LOCKING TIE WRAP (NOT SHOWN)
43	1	WA23175	VINYL ENVELOPE (NOT SHOWN)
44	4	WA23182	LABEL, STOCK, SILVER; 3/4" SERIAL LABEL (NOT SHOWN)
45	1	WR-UR-00328-EN	WARRANTY CARD (NOT SHOWN)
46	1	WR-UH-00043-EN	OPERATORS AND SERVICE MANUAL (NOT SHOWN)



Wycoparts.com  
800-889-0661