

**OPERATION AND PARTS MANUAL**



***ESSICK* SERIES**  
**MODEL EM120 HYDRAULIC**  
**PLASTER/MORTAR MIXER**  
**(HONDA GX390U1QA2 GASOLINE ENGINE)**

Revision #2 (06/01/20)

**THIS MANUAL MUST ACCOMPANY THE EQUIPMENT AT ALL TIMES.**

# TABLE OF CONTENTS

## EM120 Hydraulic Plaster/Mortar Mixer

Proposition 65 Warning .....	2
Silicosis/Respiratory Warnings .....	3
Table of Contents .....	4
Training Checklist .....	5–11
Dimensions/Specifications .....	12
Engine Specifications .....	13
General Information .....	14
Basic Components (Mixer) .....	15
Basic Components (Hydraulic) .....	16
Engine Components .....	17
Towing Guidelines .....	18
Safety Chain Connection .....	19
Inspection .....	20–22
Start-Up .....	23
Start-Up/Operation .....	24
Operation .....	25
Maintenance (Engine) .....	26–28
Maintenance (Mixer) .....	29–33
Hydraulic System Diagram .....	34
Troubleshooting (Mixer) .....	35
Troubleshooting (Engine) .....	36–37
Explanation of Code in Remarks Column .....	38
Suggested Spare Parts .....	39

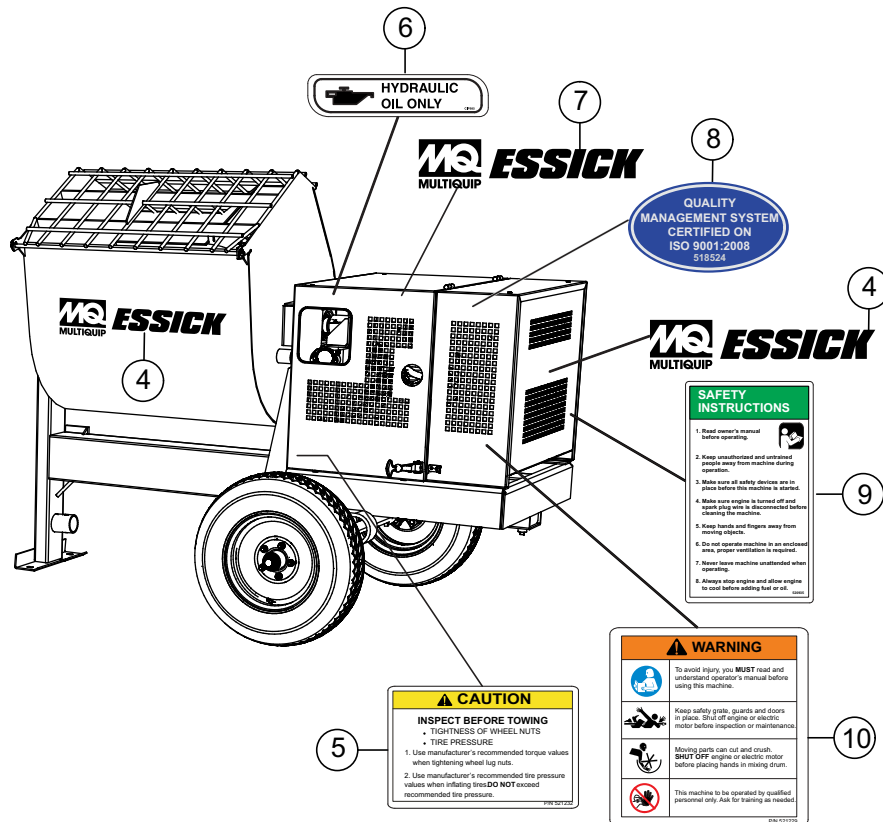
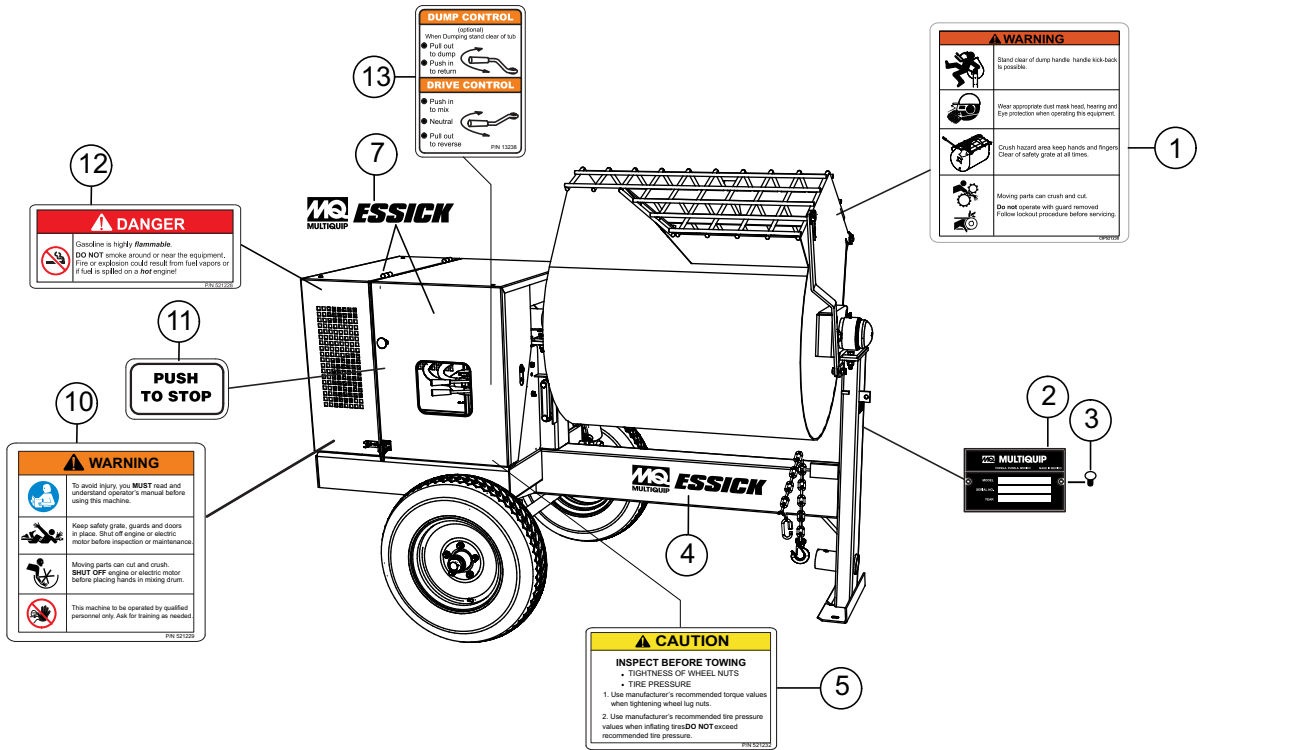
## Component Drawings

Nameplate and Decals Assembly .....	40–41
Paddle Blades Assembly .....	42–43
Drum and Shaft Assembly .....	44–45
Paddle Shaft Assembly .....	46–47
Hydraulic Assembly .....	48–49
Frame Assembly .....	50–51
Cabinet Assembly .....	52–53
Engine Assembly .....	54–55
Engine Service Parts .....	56–57

### NOTICE

Specifications and part numbers are subject to change without notice.

# NAMEPLATE AND DECALS ASSY.

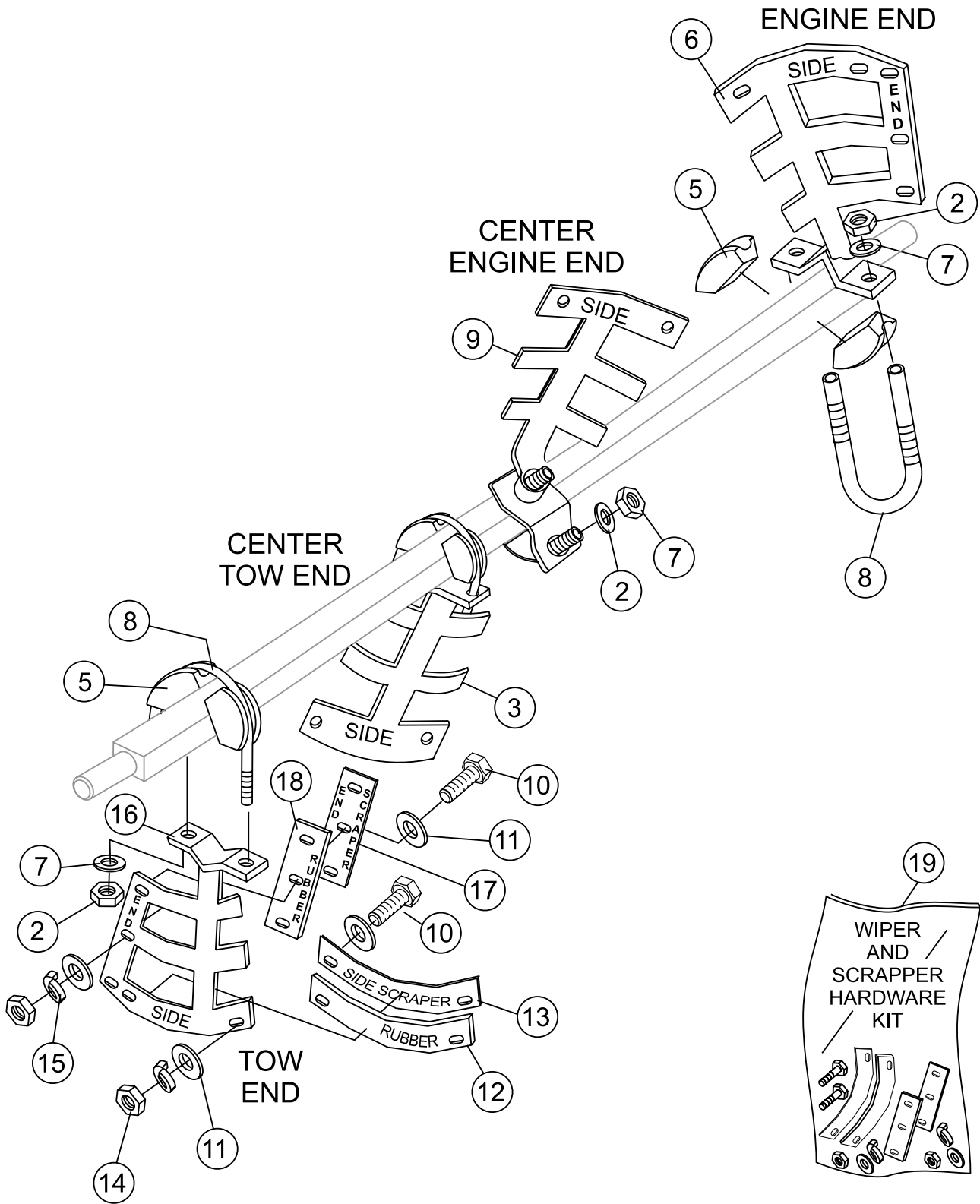


## NAMEPLATE AND DECALS ASSY.

---

<u>NO.</u>	<u>PART NO.</u>	<u>PART NAME</u>	<u>QTY.</u>	<u>REMARKS</u>
1	521230	DECAL; WARNING, PREVENT ACCIDENTS	1	
2		NAMEPLATE.....	1.....	CONTACT MQ PARTS DEPT.
3	491757	RIVET, ID PLATE	2	
4	510883	DECAL; MQ ESSICK (LARGE)	3	
5	521232	DECAL; CAUTION INSPECT BEFORE TOW	2	
6	985	DECAL; PLASTIC HYDRAULIC OIL ONLY	1	
7	510891	DECAL; MQ ESSICK (SMALL)	2	
8	518524	DECAL; ISO 9001:2000 EXPORT	1	
9	520935	DECAL; SAFETY INSTRUCTIONS	1	
10	521229	DECAL; WARNING, BODILY INJURY	2	
11	948630	DECAL; PUSH TO STOP	1	
12	521228	DECAL; DANGER, NO SMOKING	2	
13	13238	DECAL; DUMP/DRIVE CONTROLS	1	

# PADDLE BLADES ASSY.



## PADDLE BLADES ASSY.

<u>NO.</u>	<u>PART NO.</u>	<u>PART NAME</u>	<u>QTY.</u>	<u>REMARKS</u>
2	492584	NUT, LOCK 1/2" DIA. NC	8	
3	EM200294B	PADDLE ARM CENTER (TOW END)	1	
5	EM200292	INSERT, PADDLE ARM .....	8.....	REPLACES P/N 200292
6	EM200296B	PADDLE ARM, ENGINE END	1	
7	6109170	WASHER, FLAT 1/2" .....	8.....	REPLACES P/N 504322
8	EM200297	U-BOLT .....	4.....	REPLACES P/N 200297
9	EM200295B	PADDLE ARM CENTER (ENGINE END)	1	
10\$	2105162	SCREW HHC.....	14.....	REPLACES P/N 492367
11\$	EM923023	WASHER, FLAT 5/16" .....	28.....	REPLACES P/N 49259
12\$	EM200212	SIDE WIPER, RUBBER	4	
13\$	EM203432	SIDE SCRAPER BLADE	4	
14\$	2105164	NUT HEX 5/16" DIA. NC .....	14.....	REPLACES P/N 492553
15\$	EM923343	WASHER, LOCK 5/16" .....	14.....	REPLACES P/N 492623
16	EM200293B	PADDLE ARM, TOW END	1	
17	EM203433	END SCRAPER BLADE	2	
18	EM200213	END WIPER, RUBBER	2	
19	EM200863	KIT, RUBBER BLADES, SCRAPERS & HDW....	1.....	INCLUDES ITEMS W/\$

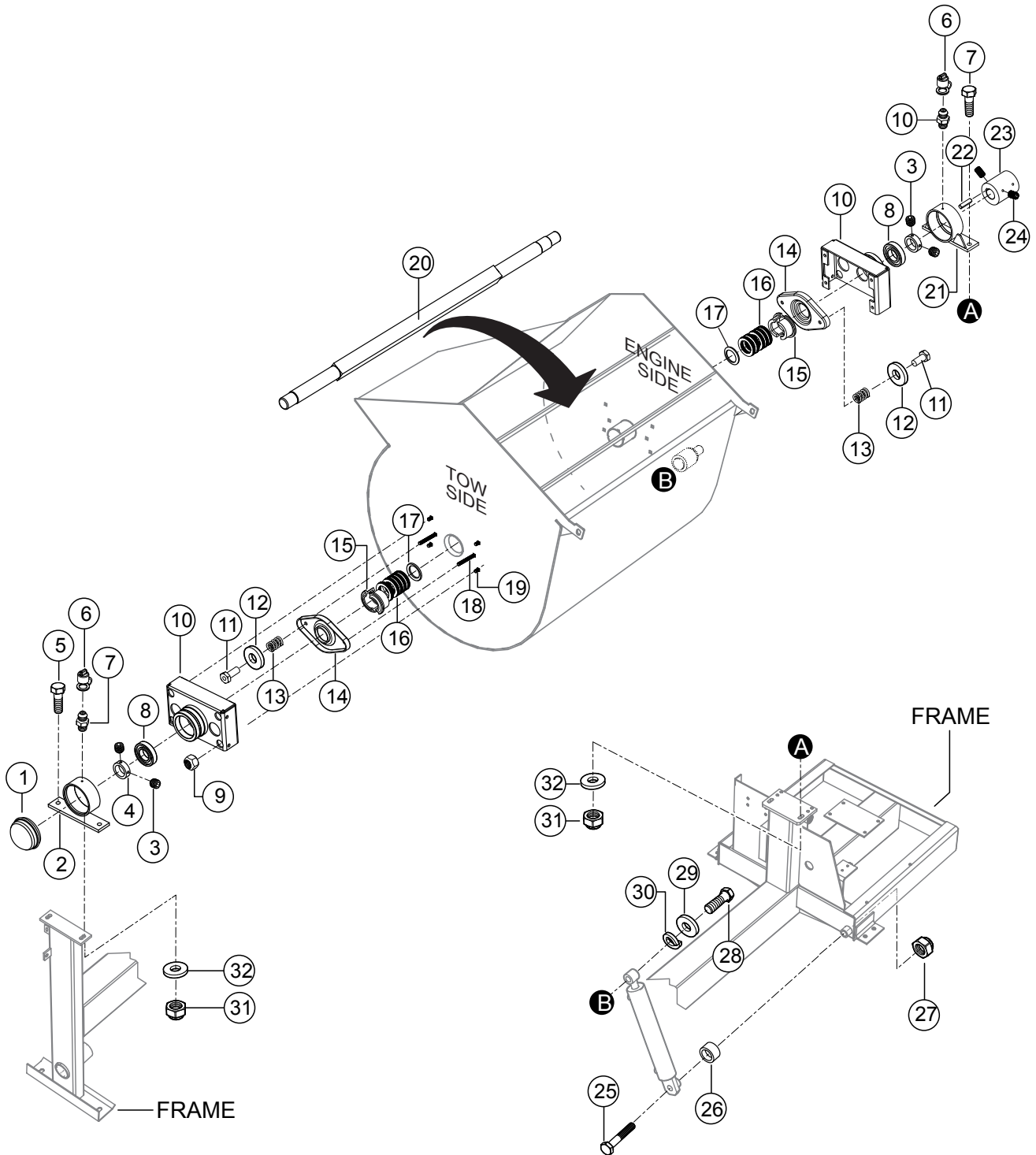


## DRUM AND SHAFT ASSY.

---

<u>NO.</u>	<u>PART NO.</u>	<u>PART NAME</u>	<u>QTY.</u>	<u>REMARKS</u>
1	521678	DRUM AND SHAFT ASSY.....	1.....	INCLUDES ITEMS W/\$
2\$	925191	PIN, COTTER 3/16"	1	
3\$	6109170	WASHER, FLAT 1/2" DIA.....	3.....	REPLACES P/N 49260
4\$	13276	BAR, GRATE OPENING	1	
5\$	EM203449	DRUM GRILL	1	
6\$	EM924015	PIN, COTTER .....	2.....	REPLACES P/N 505070
7\$	492584	NUT, NYLOC 1/2" DIA NC	1	
8\$	6109170	WASHER, FLAT 1/2" DIA.....	1.....	REPLACES P/N 492600
9\$	EM963692	BOLT, 1/2"UNC X 1-1/2" .....	1.....	REPLACES P/N 492394
10	521676	DRUM 12. CU. FT .....	1.....	DRUM ONLY

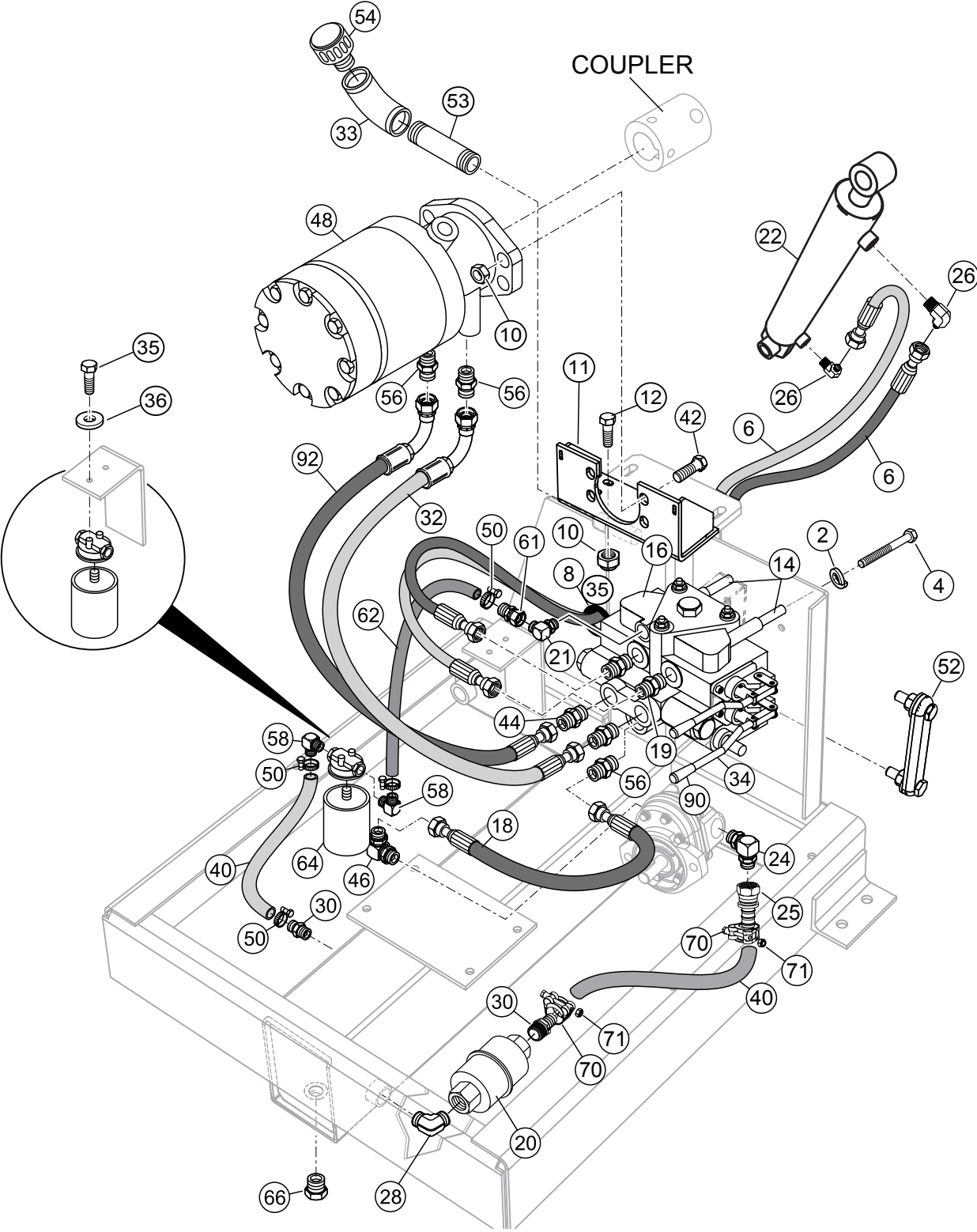
# PADDLE SHAFT ASSY.



## PADDLE SHAFT ASSY.

<u>NO.</u>	<u>PART NO.</u>	<u>PART NAME</u>	<u>QTY.</u>	<u>REMARKS</u>
1	3249	CAP, DUST	1	
2	521674	BRACKET, FRONT	1	
3	EM703	SCREW, ALLEN 3/8" .....	4.....	REPLACES P/N 492470
4	EM200018	COLLAR, PADDLE SHAFT	2	
5	492396	BOLT 1/2" NC X 2" G5	4	
6	491008	GREASE CAP FITTING	2	
7	EM916019	FITTING GREASE .....	2.....	REPLACES P/N 491705
8	EM902153	BEARING .....	2.....	REPLACES P/N 902153
9	EM969012	NUT, NYLOC 3/8" .....	8.....	REPLACES P/N 505066
10	EM201648	DRUM HEAD WELDMENT	2	
11	EM200287	ADJUSTING NUT .....	4.....	REPLACES P/N 200287
12	0401450160	WASHER, FLAT 5/8" .....	4.....	REPLACES P/N 492602
13	507844	SPRING COMPRESSOR	4	
14	EM200288	PLATE, PACKING GLAND PRESSURE	2	
16	EM200301	RING, SHAFT PACKING	12	
15	EM200285	GLAND, PACKING, HALF	4	
16	EM200303	FOLLOWER, PACKING RING	2	
18	EM200286	BOLT, CARRAGE.....	4.....	REPLACES P/N 505065
19	17985-008	BOLT, CARRIAGE.....	8.....	REPLACES P/N 505064
20	521675	PADDLE SHAFT	1	
21	521673	BRACKET, REAR	1	
22	EM502727	KEY, SQUARE 5/16 X 1-3/8"	1	
23	514235	COUPLING HYDRAULIC MOTOR	1	
24	492468	SCREW SET 5/16"	2	
25	511526	SCREW, HHCS 1" NC X 8	1	
26	13286	SPACER, LOWER DUMP CYLINDER	1	
27	511495	NUT, LOCK 1" NC	1	
28	EM963610	CAP SCREW .....	1.....	REPLACES P/N 492375
29	520957	WASHER, 3/8" FLAT	1	
30	0166 A	WASHER LOCK 3/8" DIA. ....	1.....	REPLACES P/N 492624
31	492584	NUT, NYLOC 1/2" DIA. NC	4	
32	EM621	WASHER, 1/2" SPECIAL.....	4.....	REPLACES P/N 621

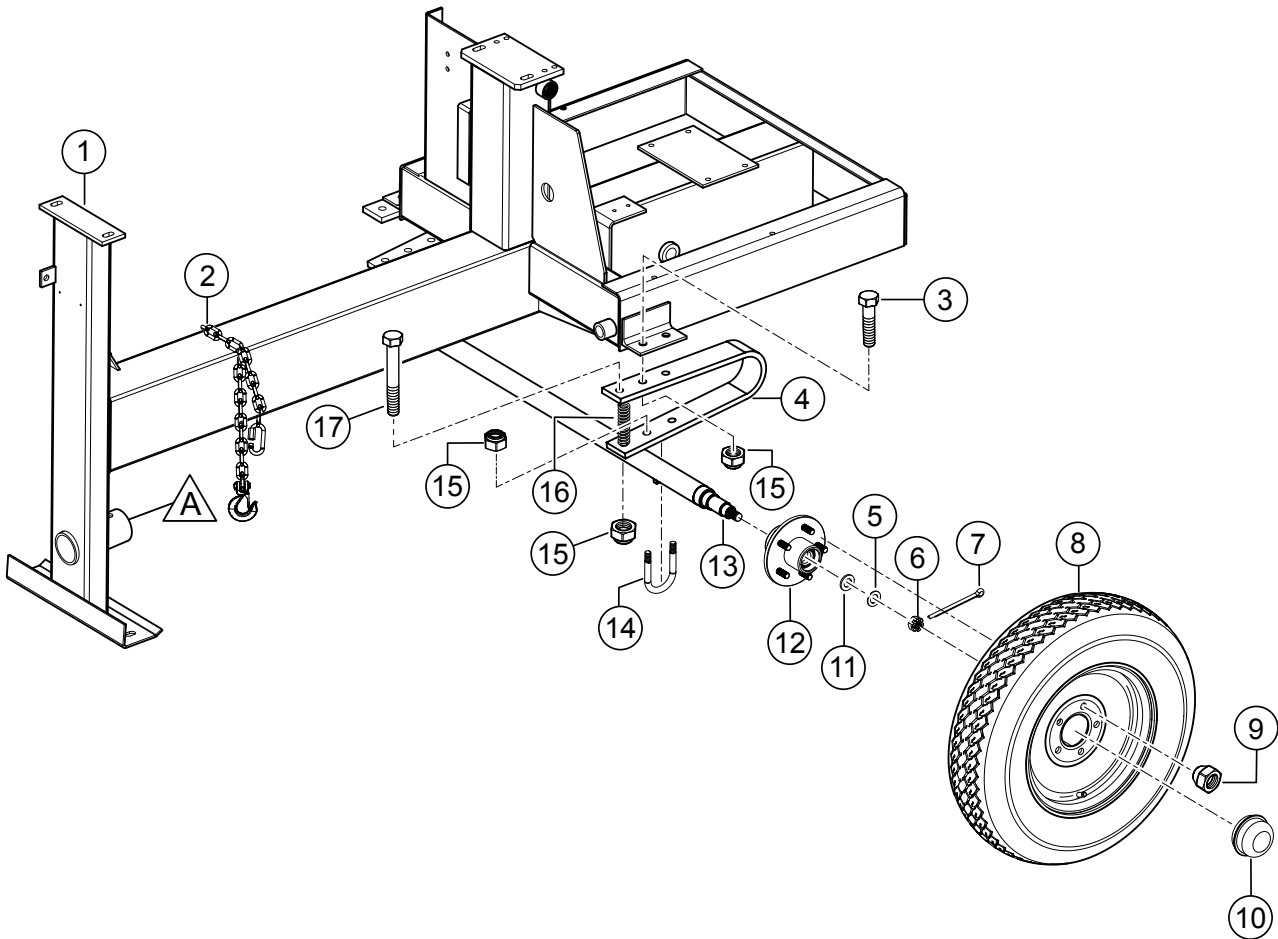
# HYDRAULIC ASSY.



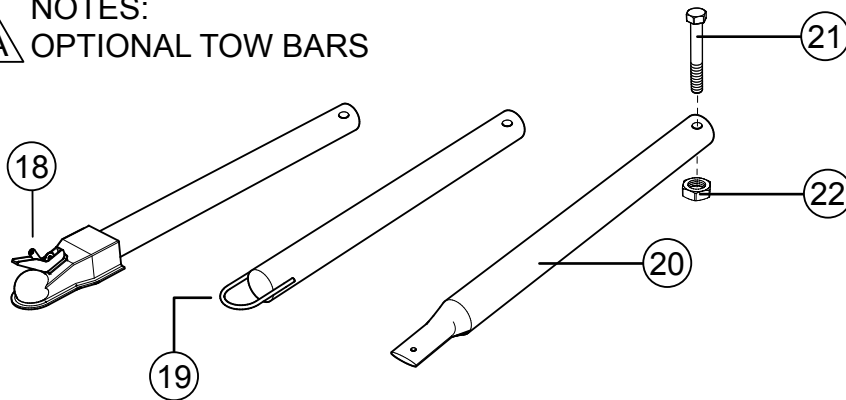
## HYDRAULIC ASSY.

<u>NO.</u>	<u>PART NO.</u>	<u>PART NAME</u>	<u>QTY.</u>	<u>REMARKS</u>
2	0166 A	WASHER LOCK 3/8" DIA. ....	4.....	REPLACES P/N 492624
4	503117	BOLT 3/8" NC X 3" G5	3	
6	13198	HOSE, ASM, DUMP CYL, 36"	2	
8	13212	GROMMET, 1-1/4" ID	1	
10	492584	NUT, NYLOC 1/2" DIA. NC	8	
11	804032	BRACKET	1	
12	492395	BOLT, 1/2"NC X 1-3/4" G5	4	
14	515251	SPACER	3	
16	EM34585	DIRECTIONAL CONTROL VALVE	1	
18	13196	HOSE, PUMP OUTPUT, 21"	1	
19	511845	FITTING	2	
20	13210	STRAINER, IN LINE	1	
21	515219	FITTING, 90°	1	
22	3327	CYLINDER, DUMP	1	
24	EM25459	ELBOW 3/4"-90°	1	
25	511847	FITTING	1	
26	3369	FITTING	2	
28	13219	FITTING, 90°	1	
30	3220	FITTING, STR 12BARB X 3/4MP	2	
32	13243	HOSE, MOTOR, 17", W/90° FITTING	1	
33	510263	FITTING, 90° STRAIGHT ELBOW	1	
34	13225	HANDLE, DRIVE/DUMP VALVE CONTROL	2	
35	492356	BOLT 1/4" X 3/4"	2	
36	2101402	WASHER, LOCK 1/4" DIA. ....	2.....	REPLACES P/N 492622
40	13380	HOSE, 3/4"ID X 18-1/2	1	
42	492396	BOLT, 1/2"NC X 2"	4	
44	16587	FITTING.....	2.....	REPLACES P/N 3314
46	3322	FITTING, 90°	1	
48	34570	MOTOR, HYDRAULIC	1	
50	506207	CLAMP, HOSE	4	
52	18052	OIL, SIGHT GAUGE	1	
53	511691	FITTING, STR	1	
54	3353	CAP, FILLER/BREATHER	1	
56	3365	FITTING, STR	3	
58	3367	FITTING, 90°	2	
61	511847	FITTING, STR	1	
62	3462	HOSE, .75 ID, 16.5 LONG	1	
64	8051	FILTER, HYDRAULIC OIL	1	
66	506094	PLUG 1/2"NPT GALVANIZED	1	
70	804371	CLAMP, 1-1/4"	2	
71	DULT100078J	NUT M6, NYLOC G8	2	
90	3407	KNOB	2	
92	13242	HOSE W/90° FITTING	1	

# FRAME ASSY.



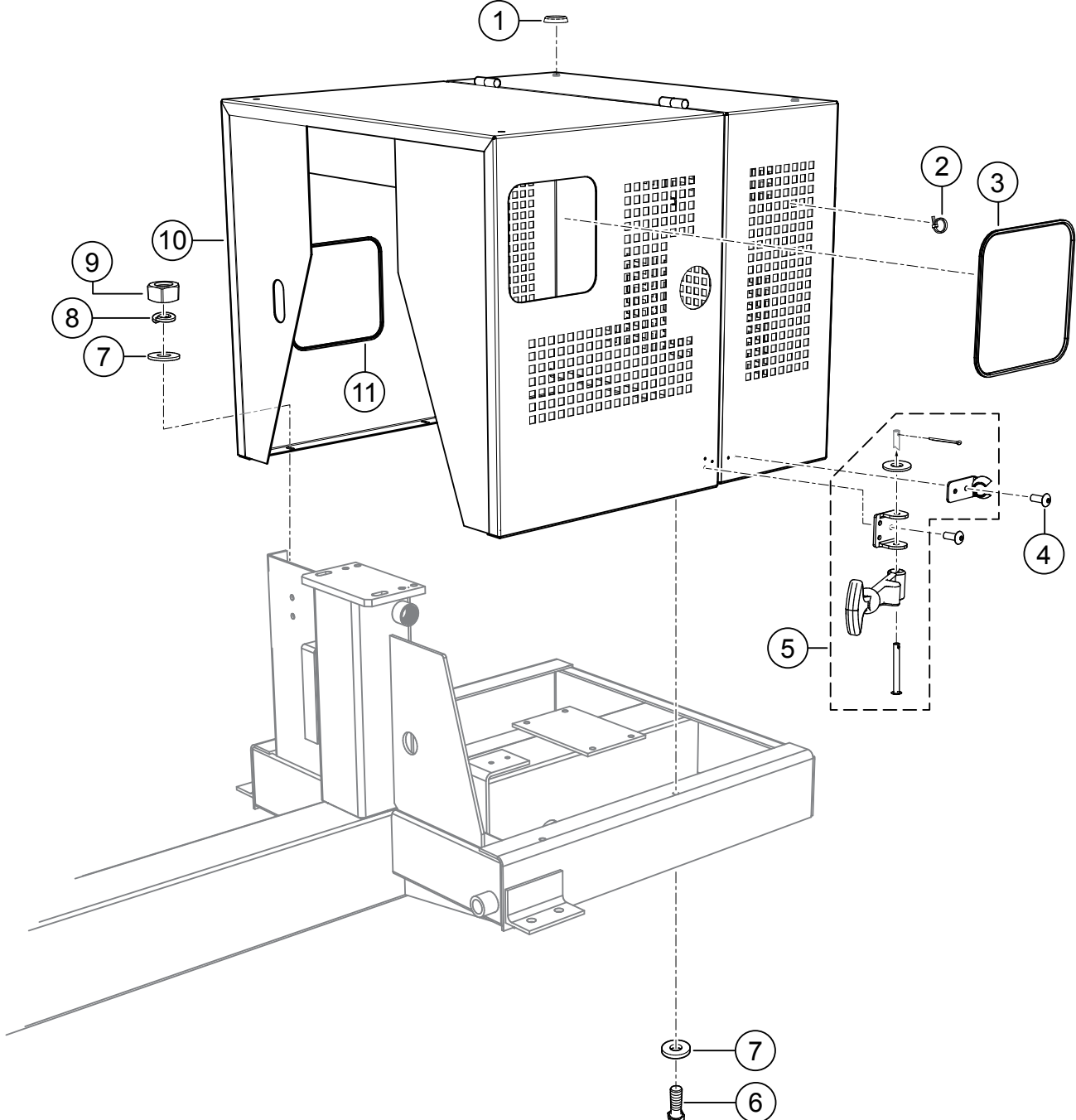
NOTES:  
A OPTIONAL TOW BARS



## FRAME ASSY.

<u>NO.</u>	<u>PART NO.</u>	<u>PART NAME</u>	<u>QTY.</u>	<u>REMARKS</u>
1	13365	CHASSIS ASSY.	1	
2	501078	CHAIN SET	1	
3	EM963692	BOLT 1/2"UNC X 1-1/2" .....	4	REPLACES P/N 492394
4	3018	SPRING, LEAF	2	
5	507444	WASHER, FLAT 3/4" .....	2	S/N D1810000 AND BELOW
5	501299J	WASHER, 1" .....	2	S/N D1810001 AND ABOVE
6	492534	NUT, CASTLE 3/4" .....	2	S/N D1810000 AND BELOW
6	502246J	NUT, CASTLE 1-20.....	2	S/N D1810001 AND ABOVE
7	EM924008	PIN, COTTER 1/8" X 1-1/2" .....	2	REPLACES P/N 491688
8	516477	WHEEL/TIRE ASSY., 5 LUG .....	2	S/N D1810000 AND BELOW
8	516476	WHEEL/TIRE ASSY., 4 LUG .....	2	S/N D1810001 AND ABOVE
9	29194	LUG NUT	10	
10	3469	DUST CAP	2	
11	504708	WASHER, FLAT 3/4" .....	2	S/N D1810000 AND BELOW
11	511159J	WASHER, 1" .....	2	S/N D1810001 AND ABOVE
12	EM941277	HUB COMPLETE, 5 LUGS.....	2	S/N D1810000 AND BELOW
12	EM941306	HUB COMPLETE, 4 LUGS.....	2	S/N D1810001 AND ABOVE
13	511699	AXLE, 5 LUG .....	1	S/N D1810000 AND BELOW
13	521766	AXLE, 4 LUG .....	1	S/N D1810001 AND ABOVE
14	3028	U-BOLT, AXLE	2	
15	492584	NUT LOCK 1/2" DIA.	10	
16	3076	SPRING, AXLE	2	
17	3043	BOLT 1/2" X 6" G5 .....	2	REPLACES P/N 510721
18	HBC-1	TWO BAR (BALL HITCH 2-IN.) .....	1	CONTACT SALES
19	HLC-1	TOW BAR (LOOP) .....	1	CONTACT SALES
20	HPC-1	TOW BAR (1" PIN).....	1	CONTACT SALES

**CABINET ASSY.**

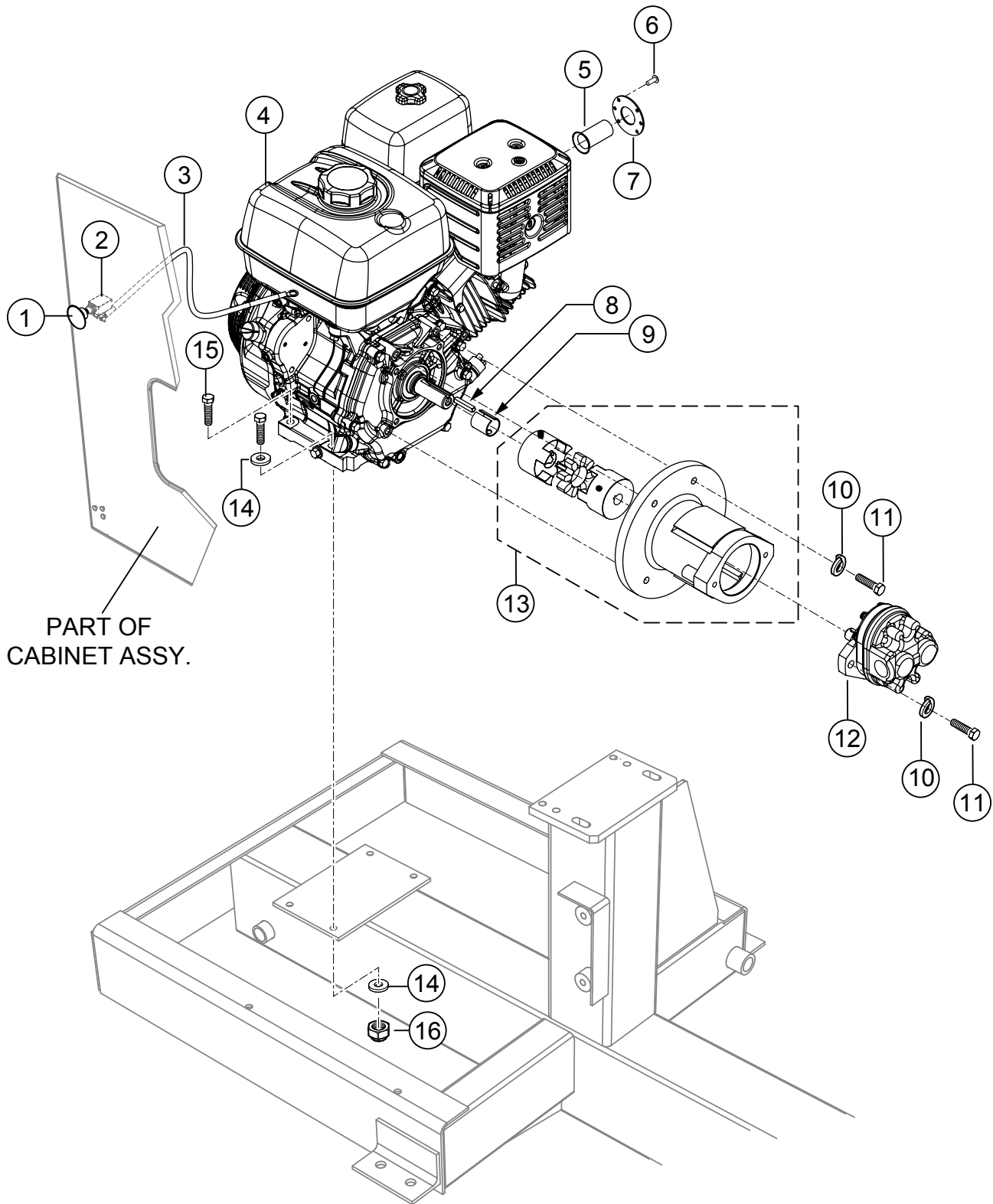


**CABINET ASSY.**

---

<u>NO.</u>	<u>PART NO.</u>	<u>PART NAME</u>	<u>QTY.</u>	<u>REMARKS</u>
1	EM505186	CUSHION RUBBER.....	4.....	REPLACES P/N 505186
2	EM491028	WRAP, CABLE TIE.....	1.....	REPLACES P/N 491028
3	511713	WEATHER STRIPPING SMALL ACCESS	1	
4	512881	RIVET .....	10.....	REPLACES P/N 503723
5	491010	LATCH KIT, CABINET	2	
6	EM963610	BOLT 3/8".....	4.....	REPLACES P/N 492376
7	3019092	WASHER, FLAT 3/8".....	8.....	REPLACES P/N 492598
8	0166A	WASHER, LOCK 3/8" .....	4.....	REPLACES P/N 492624
9	1456	NUT, HEX 3/8" .....	4.....	REPLACES P/N 492554
10	511580	CABINET, ENGINE STEEL	1	
11	518691	WEATHER STRIPPING LARGE ACCESS	1	

# ENGINE ASSY.

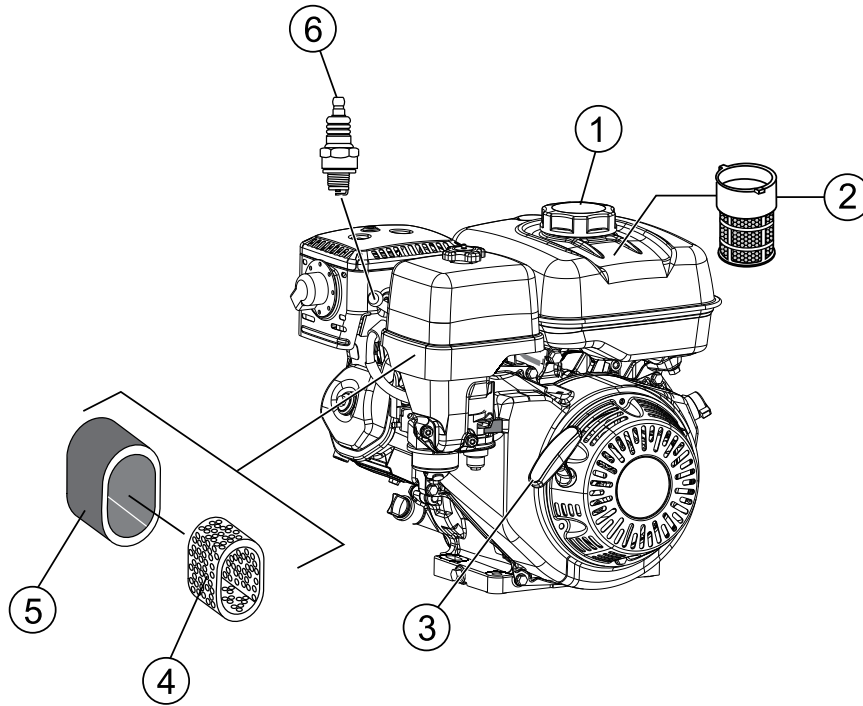


## ENGINE ASSY.

<u>NO.</u>	<u>PART NO.</u>	<u>PART NAME</u>	<u>QTY.</u>	<u>REMARKS</u>
1	29174-001	KNOB, MUSHROOM	1	
2	29173-001	SWITCH, PUSH PULL W/OUT KNOB	1	
3	510573	HARNES CABLE, ENGINE	1	
4	3364	ENGINE, HONDA 11.7HP, GX390U1QA2	1	
5	203148	TUBE, EXHAUST	1	
6	491757	RIVET	4	
7	203123	FLANGE, EXHAUST PIPE	1	
8	90745ZE2600	KEY, SQUARE 6.3X6.43X43	1	
9	EM203040	ENGINE SHAFT SLEEVE	1	
10	0166A	WASHER, LOCK 3/8" DIA. ....	6.....	REPLACES P/N 492624
11	EM963610	BOLT 3/8" .....	6.....	REPLACES P/N 492376
12	13374	PUMP, EATON	1	
13	516282	COUPLING ASSY.	1	
14	3019092	WASHER, FLAT 3/8" .....	6.....	REPLACES P/N 492598
15	492379	SCREW, CAP 3/8"	4	
16	EM969013	NUT 3/8" NC NYLOC G8.....	4.....	REPLACES P/N 492583

# ENGINE SERVICE PARTS

---



## ENGINE SERVICE PARTS

---

<u>NO.</u>	<u>PART NO.</u>	<u>PART NAME</u>	<u>QTY.</u>	<u>REMARKS</u>
1	17620Z0T305	TANK CAP, CHROME PLATED	1	
2	17672ZE2W01	FUEL FILTER	1	
3	28462ZE3W01	ROPE, RECOIL	1	
4	17210ZE3010	AIR CLEANER ELEMENT	1	
5	17218ZE3000	FILTER OUTER	1	
6	9807955846	SPARK PLUG, BPR5ES (NGK)	1	