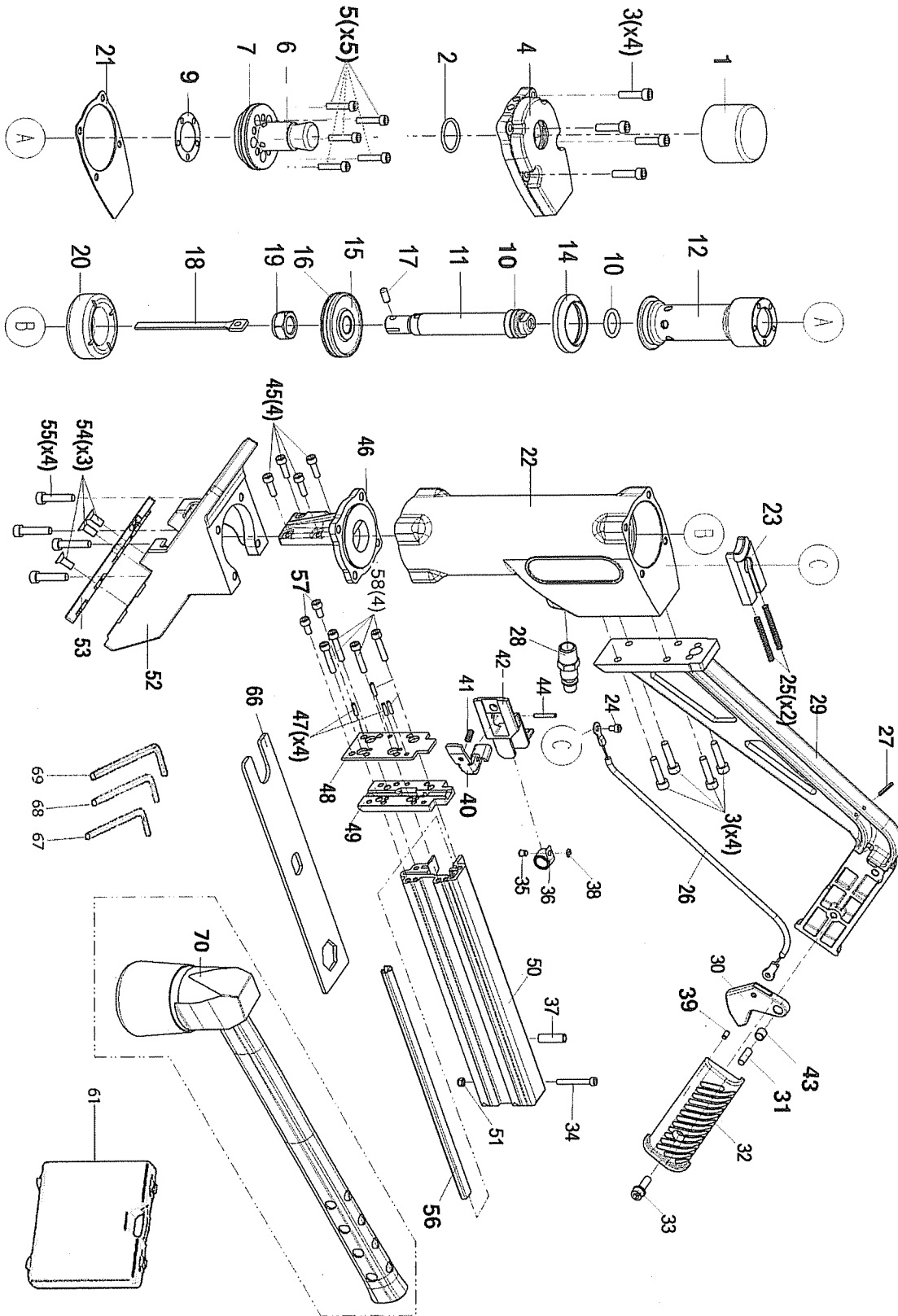


# MODEL 470A-Exploded View



## MODEL 470A—PARTS

ITEM NO.	PART NO.	DESCRIPTION	ITEM NO.	PART NO.	DESCRIPTION
1	47301	Ram Cap	49	47333	Nose T/L
2	47302	O-ring—Cap	50	47334	Magazine T/L
3	47303	Screw - Cap	51	47338	Nut—Mag. Std Off
4	47304	Cap	52	47327	Shoe
5	47305	Screw - Plunger	53	47325	Shoe Base
6	47306	Plunger	54	47324	Screw Shoe Base
7	47307	O-ring - Plunger	55	47326	Screw —Shoe/Foot
9	47311	Gasket	56	47385	Rail
10	47308	O-ring - Piston Rod	57	47386	Screw - Magazine
11	47309	Piston Rod	58	47393	Screw—Guide Plate
12	47312	Poppet	61	47387	Case
14	47322	Seal—Poppet O.D.	66	47388	Wrench
15	47316	Piston	67	47389	Hex Wrench 3mm
16	47315	O-ring—Piston	68	47390	Hex Wrench 4mm
17	47310	Ball Pin	69	47391	Hex Wrench 5mm
18	47314	Driver Blade	70	47392	Hammer
19	47317	Lock Nut	Not Shown	47364	Hammer Rubber Cap
20	47323	Piston Cushion	Not Shown	50170	Safety Glasses
21	47321	Plate			
22	47319	Body			
23	47335	Safety Plate			
24	47346	Screw - Safety Plate			
25	47349	Spring—Safety			
26	47351	Cable			
27	47379	Roll Pin			
28	47352	Quick Connect Male			
29	47345	Handle			
30	47353	Safety Trigger			
31	47354	Pin—Safety Trigger			
32	47373	Cap—Handle			
33	47374	Screw—Handle Cap			
34	47336	Screw - Mag. Std. Off			
35	47381	Fixed Pin			
36	47344	Spring—Con. Force			
37	47337	Mag. Stand Off			
38	47382	E-Ring			
39	47383	Pin - Safety			
40	47341	Pusher Finger			
41	47357	Spring -Pusher			
42	47339	Pusher Bracket			
43	47384	Spacer - Safety Trig.			
44	47355	Pusher Pivot Pin			
45	47328	Screw —Foot/Mag.			
46	47329	Foot			
47	47332	Spring Pin —Foot			
48	47331	Driver Guide Plate			