

**PARTS MANUAL**



**HRT RIDE-ON POWER  
TROWEL**

Revision #1 (11/04/02)

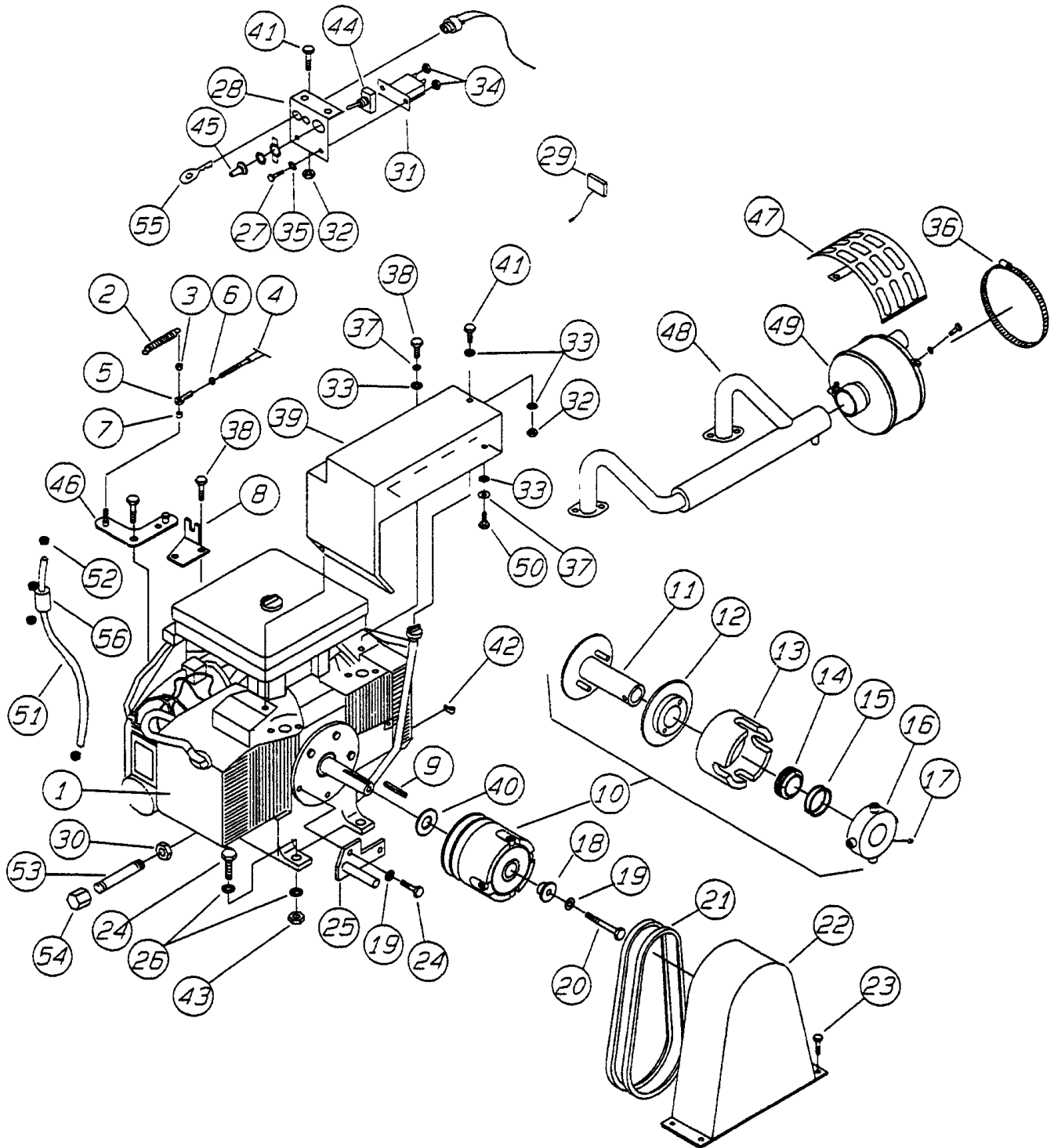
Here's How To Get Help .....	2
Table of Contents .....	3
Parts Ordering Procedures .....	4-5

## **MQ WHITEMAN HRT RIDE- ON POWER TROWEL**

Explanation of Codes in Remarks Column .....	6
Suggested Spare Parts .....	7
Onan Engine & Clutch Assembly .....	8-11
Kohler 20HP Engine & Clutch Assembly .....	12-15
Kohler 25HP Engine & Clutch Assembly .....	16-19
Drive Assembly .....	20-21
Steering Assembly .....	22-23
Steering Assembly .....	24-25
Gearbox Adapter Plates .....	26-27
Gearbox Assembly .....	28-31
Spider & Blades Assembly .....	32-33
Twin Pitch Control Assembly .....	34-37
Electric Pitch Control Assembly .....	38-41
Single Pitch Control Assembly .....	42-43
Main Frame Assembly .....	44-47
Seat Frame Assembly .....	48-49
Lights & Retardant Spray (Options) Assy. ....	50-51
E-Z Mover & Lift Handle Assembly .....	52-53
Wiring Diagram .....	54-55
Terms and Conditions of Sale .....	56

# HRT RIDE-ON POWER TROWEL — ONAN ENGINE & CLUTCH ASSY.

ONAN ENGINE & CLUTCH ASSY.



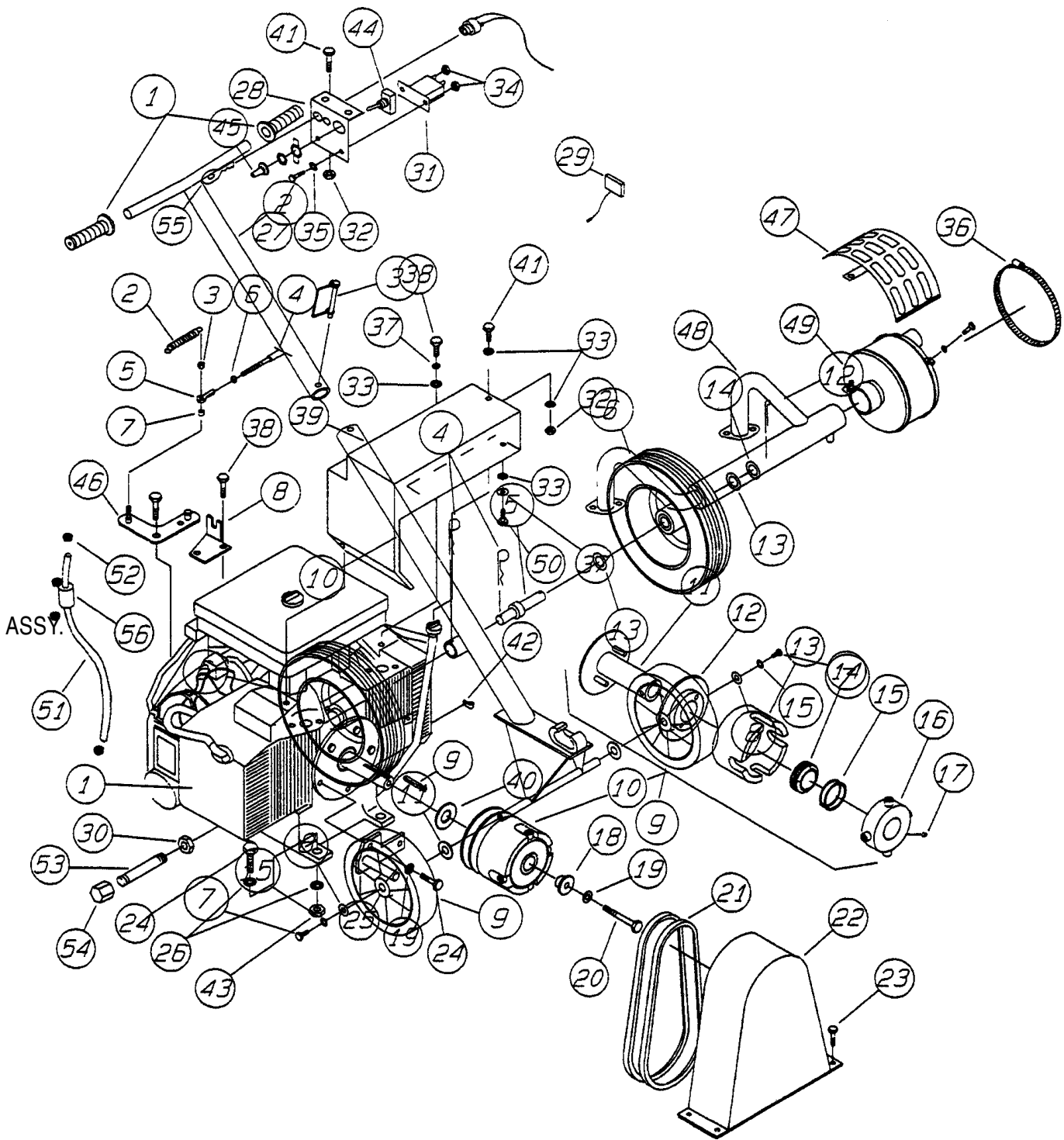
# HRT RIDE-ON POWER TROWEL — ONAN ENGINE & CLUTCH ASSY.

## ONAN ENGINE & CLUTCH ASSY.

<u>NO.</u>	<u>PART NO.</u>	<u>PART NAME</u>	<u>QTY.</u>	<u>REMARKS</u>
1		ENGINE 24 HP ONAN	1	
2	2192	THROTTLE SPRING	1	
3	2194	THROTTLE NUT	1	
4	2124	THROTTLE CABLE	1	
5	2153	SPHERICAL BEARING	1	
6	0937	HEX NUT 10- 32	1	
7	2190	SPACER	1	
8	2628	THROTTLE CABLE MOUNTING BRACKET	1	
9	4024	SQUARE KEY 1/4 X 1/4 X 2.3/4"	1	
10	2719	5" CLUTCH ASM. 1.1/8" BORE .....	1	TO ME35186
10	10720	5" CLUTCH ASM. 1. 1/8" BORE .....	1	FROM ME35187
11	2290	CLUTCH SPINDLE 1.1/8" BORE	1	
12	1975	CLUTCH PULLEY	1	
13	2519	CLUTCH BOWL	1	
14	2941	CLUTCH WEIGHT SET	1	
15	2473	WEIGHT SPRING	2	
16	2897	CLUTCH PLATE ( WITH ROLLERS)	1	
17	2070	SHSS 3/8- 24 X 1"	2	
18	2951	CLUTCH RETAINER	1	
19	0166A	LOCK WASHER 3/8"	3	
20	8135	HHCS 3/8- 24 X 3"	1	
21	11048	BELT (B- 39) .....	2	FROM LG40711
21	2413	BELT (B- 42) .....	2	TO LG40710
22	2333	BELT GUARD .....	1	TO NJ32685
22	2547	BELT GUARD .....	1	FROM NJ32686
23	1273	HHSTS 8- 32 X 3/8"	4	
24	1284	HHCS 3/8- 16 X 1.1/2"	6	
25	2631	BELT GUIDE	1	

# HRT RIDE-ON POWER TROWEL — ONAN ENGINE & CLUTCH ASSY.

ONAN ENGINE & CLUTCH ASSY.



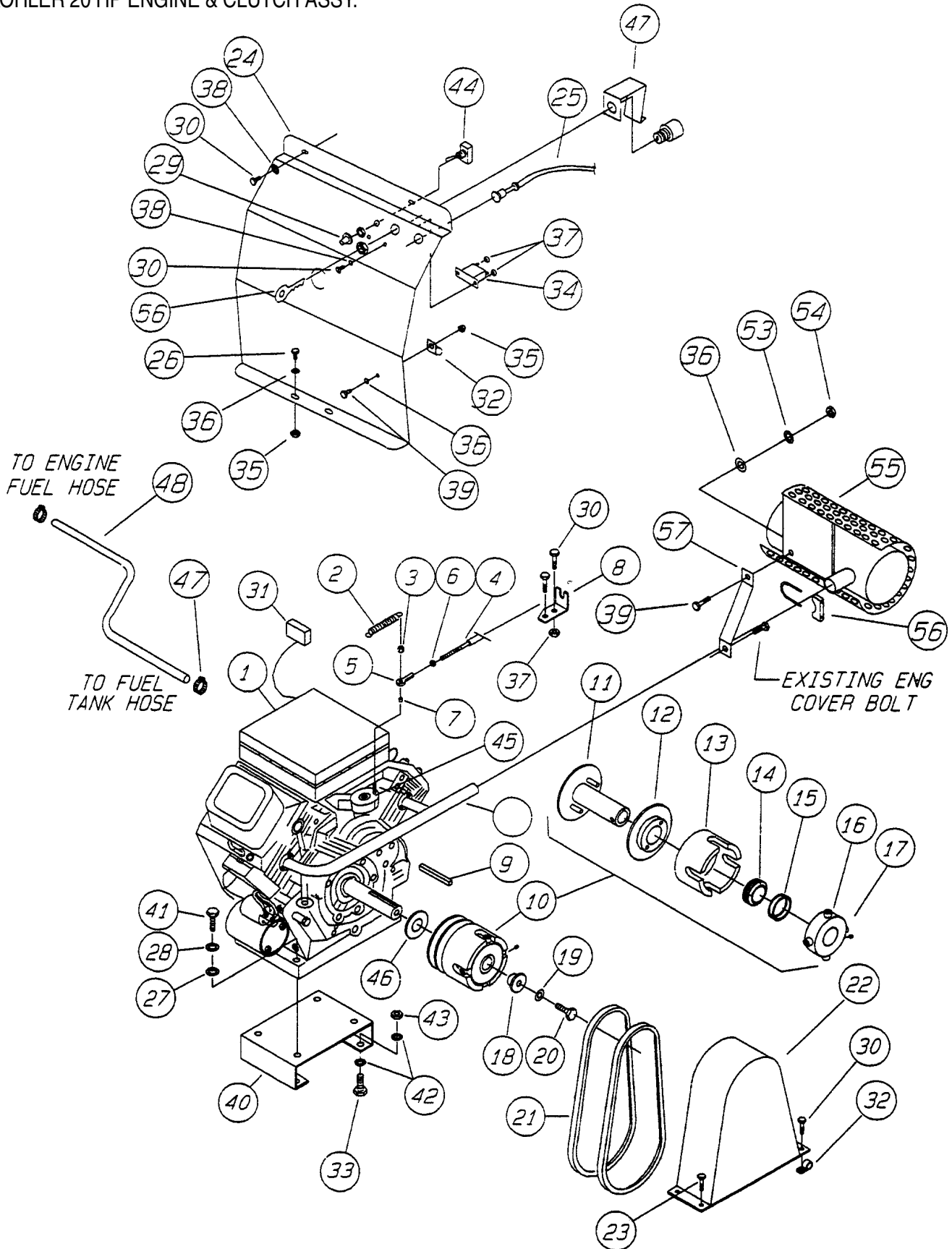
# HRT RIDE-ON POWER TROWEL — ONAN ENGINE & CLUTCH ASSY.

## ONAN ENGINE & CLUTCH ASSY.

<u>NO.</u>	<u>PART NO.</u>	<u>PART NAME</u>	<u>QTY.</u>	<u>REMARKS</u>
26	0300B	FLAT WASHER 5/16"	8	
27	5065B	RHMS 10- 32 X 1/2"	2	
28	2643	CONTROL PANEL	1	
29	2655	HOURL METER	1	
30	10490	LOCK NUT 3/8- NPT .....	1 .....	FROM MD 34449
31	2673	CIRCUIT BREAKER	1	
32	10024	LOCK NUT 10- 24	3	
33	0948	FLAT WASHER 1/4"	6	
34	10019	LOCK NUT 10- 32	4	
35	2203	FLAT WASHER #10	2	
36	10463	HOSE CLAMP	1	
37	0181B	LOCK WASHER 1/4"	4	
38	4514	HHCS 1/4- 24 X 5/8"	4	
39	10524	HEAT SHIELD	1	
40	2629	CLUTCH SPACER	1	
41	0730	HHCS 1/4- 20 X 1"	3	
42	2548	WIRE CLAMP	1	
43	10133	LOCK NUT 3/8- 16	4	
44	4682	SWITCH	1	
45	8381	BOOT	1	
46	2694	THROTTLE CONTROL BRACKET	1	
47	10317	MUFFLER SHIELD	1	
48	10526	EXHAUST HEADER	1	
49	10208	MUFFLER W/CLAMP	1	
50	1579	HHCS 1/4- 20 X 1/2"	1	
51	10569	FUEL HOSE	1	
52	19473	HOSE CLAMP	2	
53	10489	NIPPLE .....	1 .....	FROM MD34449
54	10491	CAP 3/8- NPT .....	1 .....	FROM MD34449
55	11078	IGNITION KEY	1	
56	2346	FUEL FILTER		

# HRT RIDE-ON POWER TROWEL — KOHLER 20 HP ENGINE & CLUTCH ASSY.

KOHLER 20 HP ENGINE & CLUTCH ASSY.



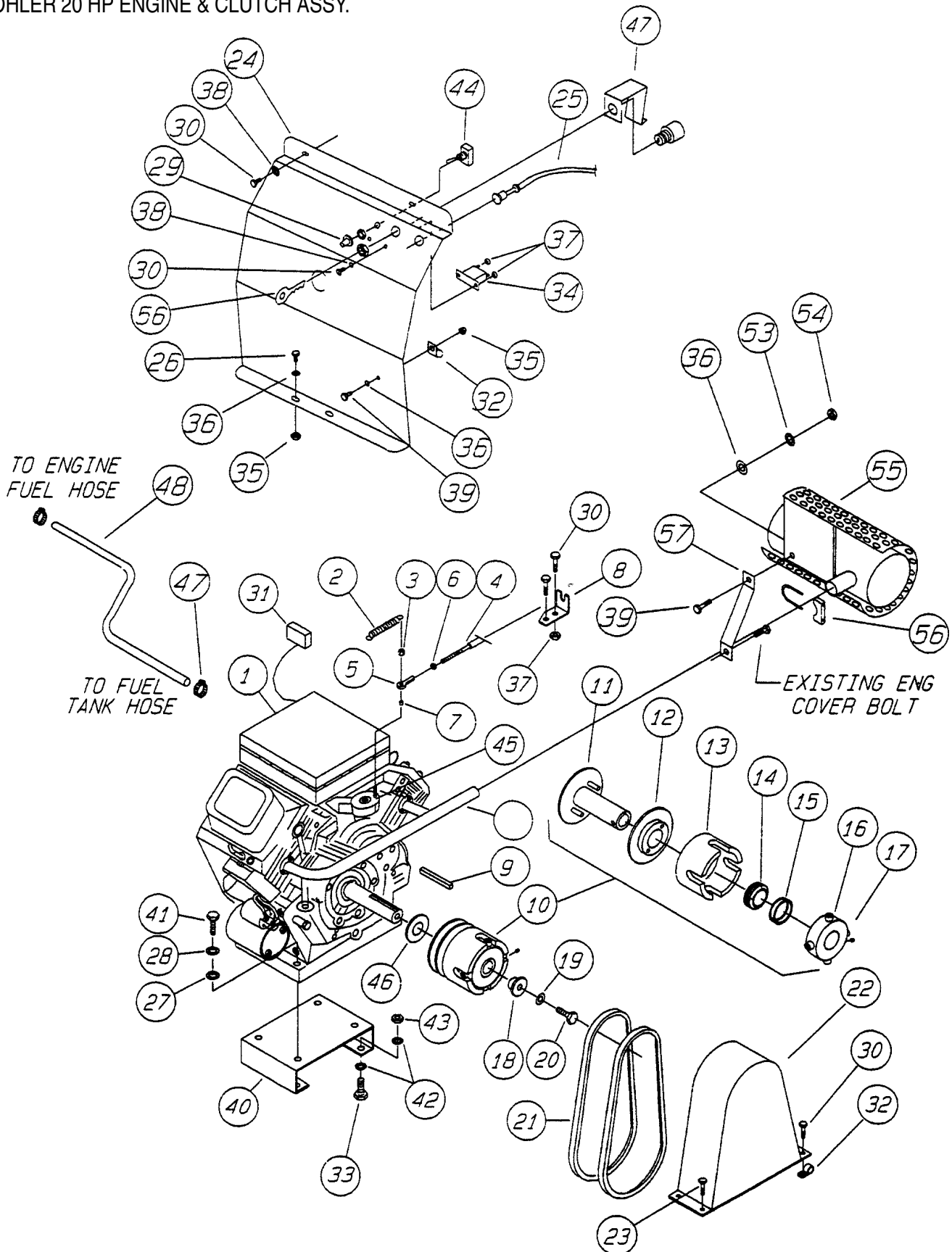
# HRT RIDE-ON POWER TROWEL — KOHLER 20 HP ENGINE & CLUTCH ASSY.

## KOHLER 20 HP ENGINE & CLUTCH ASSY.

<u>NO.</u>	<u>PART NO.</u>	<u>PART NAME</u>	<u>QTY.</u>	<u>REMARKS</u>
1		ENGINE 20 HP KOHLER	1	
2	2192	THROTTLE SPRING	1	
3	2194	THROTTLE NUT	1	
4	2124	THROTTLE CABLE	1	
5	2153	SPHERICAL BEARING	1	
6	0937	HEX NUT 10- 32	1	
7	2190	SPACER	1	
8	2884	THROTTLE CABLE MOUNTING BRACKET	1	
9	0310	SQUARE KEY 1/4 X 1/4 X 1.1/2"	1	
10	2719	5" CLUTCH ASM. 1.1/8" BORE .....	1	TO ME35186
10	10720	5" CLUTCH ASM. 1.1/8" BORE .....	1	FROM ME35187
11	10719	CLUTCH SPINDLE 1.1/8" BORE	1	
12	1975	CLUTCH PULLEY	1	
13	2519	CLUTCH BOWL	1	
14	2941	CLUTCH WEIGHT SET	1	
15	2473	WEIGHT SPRING	2	
16	10727	CLUTCH PLATE (WITH ROLLERS)	1	
17	2070	SHSS 3/8- 24 X 1"	2	
18	2951	CLUTCH RETAINER	1	
19	2955	LOCK WASHER 7/16"	1	
20	2956	HHCS 7/16- 20 X 1.1/2"	1	
21	2422	BELT (B- 41)	2	
22	2333	BELT GUARD .....	1	TO NJ32685
22	2547	BELT GUARD .....	1	FROM NJ32686
23	1273	HHSTS 8- 32 X 3/8"	2	
24	10378	CONTROL PANEL	1	
25	2580	CHOKE CABLE	1	
26	4514	HHCS 1/4- 20 X 5/8"	2	
27	0300B	FLAT WASHER 5/16"	4	
28	0161C	LOCK WASHER 5/16"	4	
29	8381	BOOT	1	
30	5065B	RHMS 10- 32 X 1/2"	8	

# HRT RIDE-ON POWER TROWEL — KOHLER 20 HP ENGINE & CLUTCH ASSY.

## KOHLER 20 HP ENGINE & CLUTCH ASSY.



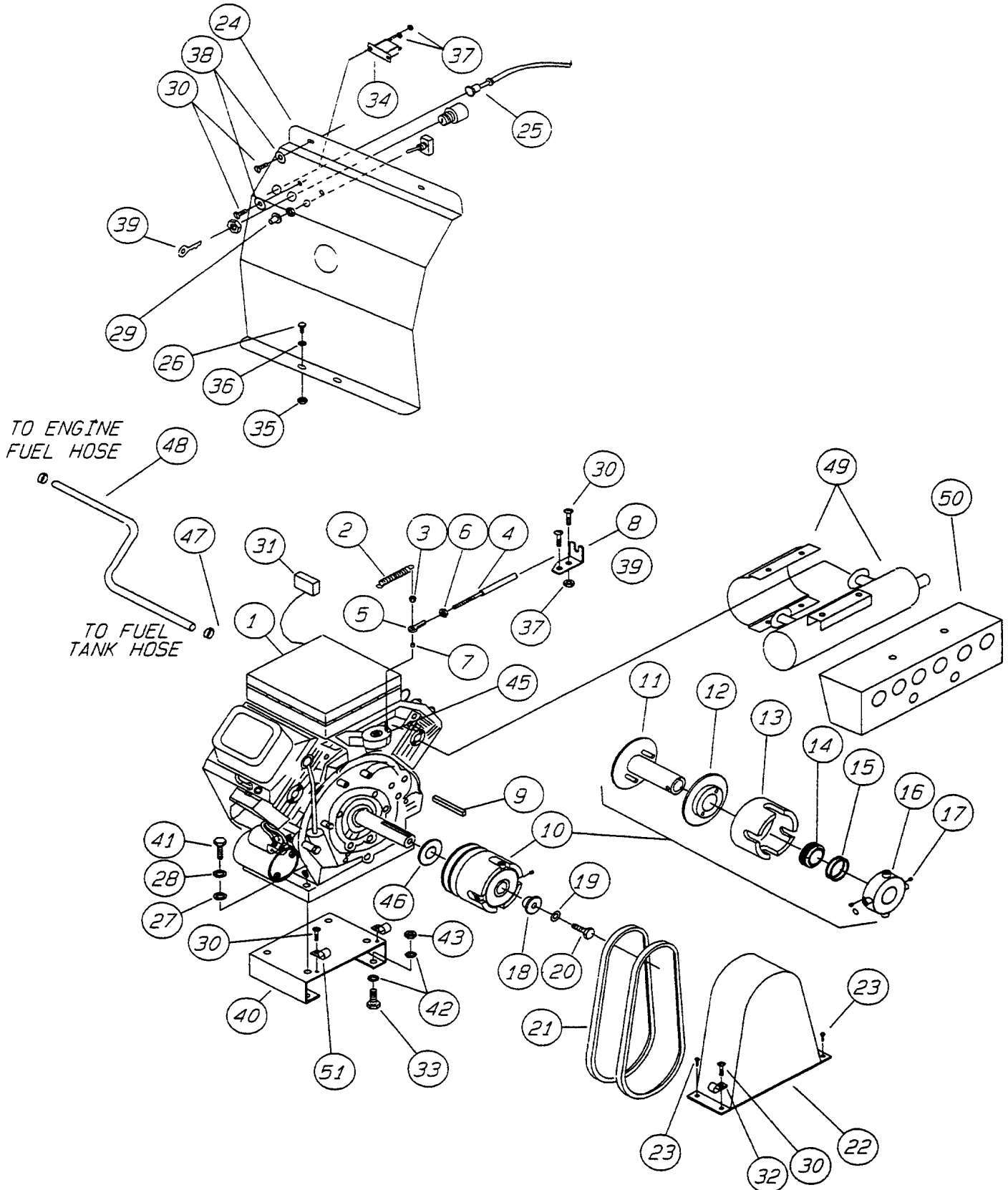
# HRT RIDE-ON POWERTROWEL — KOHLER 20 HP ENGINE & CLUTCH ASSY.

## KOHLER 20 HP ENGINE & CLUTCH ASSY.

<u>NO.</u>	<u>PART NO.</u>	<u>PART NAME</u>	<u>QTY.</u>	<u>REMARKS</u>
31	2655	HOUR METER	1	
32	8126	HOSE CLAMP	2	
33	0205	HHCS 3/8- 16 X 1"	4	
34	2673	CIRCUIT BREAKER	1	
35	10024	LOCK NUT 1/4- 20	3	
36	0948	FLAT WASHER 1/4"	4	
37	10019	LOCK NUT 10- 32	6	
38	2203	FLAT WASHER #10	4	
39	0131A	HHCS 1/4- 20 X 3/4"	1	
40	10381	ENGINE ADAPTER	1	
41	0105	HHCS 5/16- 18 X 1.1/2"	4	
42	10136	FLAT WASHER 3/8"	8	
43	10133	LOCK NUT 3/8- 16	4	
44	4682	SWITCH	1	
45	10018	SHCS 10- 32 X 1"	1	
46	2629	CLUTCH SPACER	1	
47	2138	HOSE CLAMP	2	
48	10691	FUEL HOSE	1	
49	10839	IGNITION SWITCH SHIELD	1	
50	0181B	LOCK WASHER 1/4"	1	
51	0949	HEX NUT 1/4- 20	1	
52	10853	MUFFLER	1	
53	10855	MUFFLER CLAMP	1	
54	10861	MUFFLER BRACKET	1	
55	10854	MUFFLER MANIFOLD	1	
56	11078	IGNITION KEY	1	

# HRT RIDE-ON POWER TROWEL — KOHLER 25 HP ENG. & CLUTCH ASSY.

KOHLER 25HP ENGINE & CLUTCH ASSY.



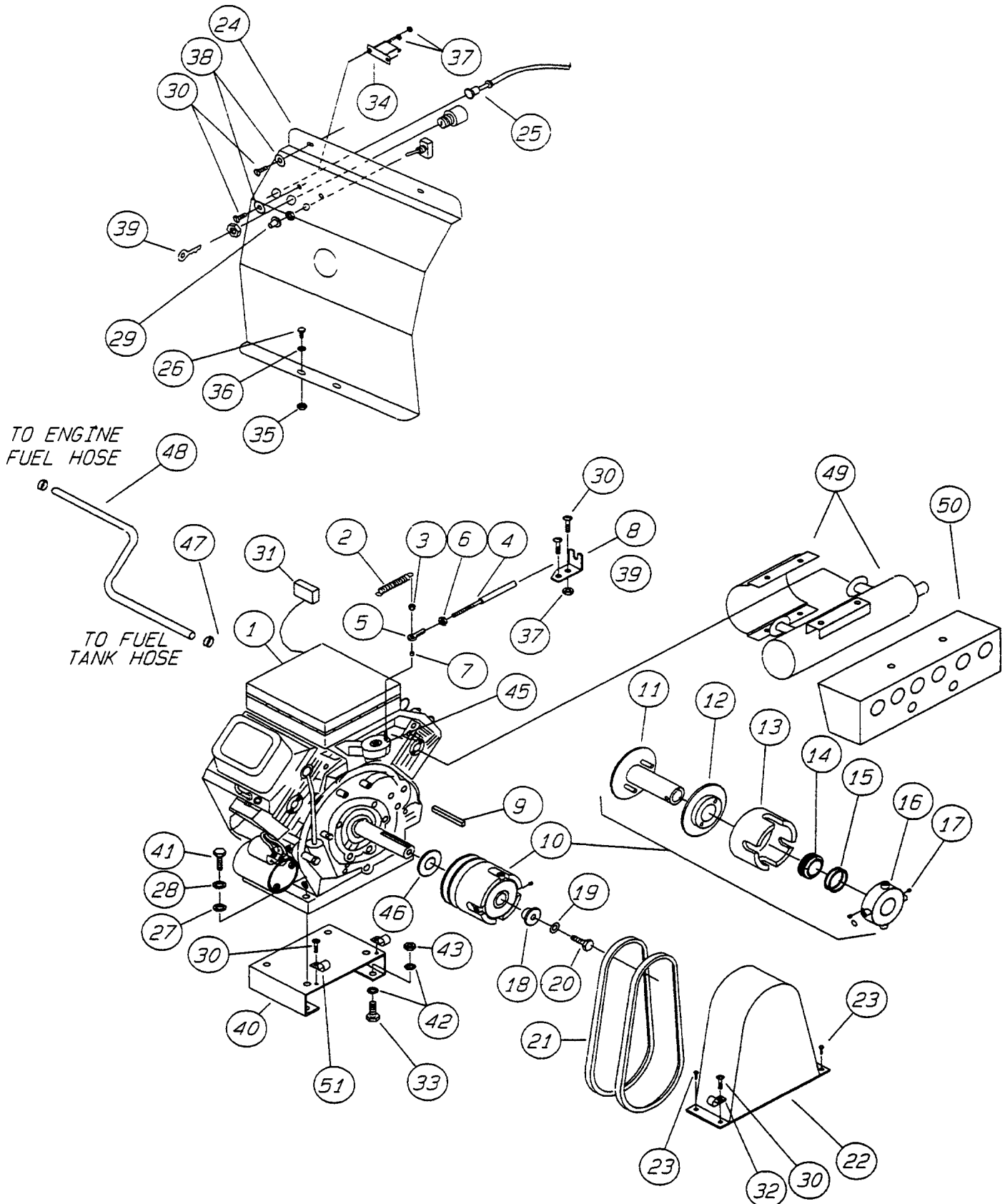
# HRT RIDE-ON POWER TROWEL — KOHLER 25HP ENG. & CLUTCH ASSY.

KOHLER 25HP ENGINE & CLUTCH ASSY.

<u>NO.</u>	<u>PART NO.</u>	<u>PART NAME</u>	<u>QTY.</u>	<u>REMARKS</u>
1		ENGINE 25 HP KOHLER	1	
2	2192	THROTTLE SPRING	1	
3	2194	THROTTLE NUT	1	
4	2124	THROTTLE CABLE	1	
5	2153	SPHERICAL BEARING	1	
6	0937	HEX NUT 10- 32	1	
7	2190	SPACER	1	
8	2884	THROTTLE CABLE MOUNTING BRACKET	1	
9	4024	SQUARE KEY	1	
10	10720	5" CLUTCH ASM. 1.1/8" BORE	1	
11	10719	CLUTCH SPINDLE 1.1/8" BORE	1	
12	1975	CLUTCH PULLEY	1	
13	2519	CLUTCH BOWL	1	
14	2941	CLUTCH WEIGHT SET	1	
15	2473	WEIGHT SPRING	2	
16	10727	CLUTCH PLATE (WITH ROLLERS)	1	
17	2070	SHSS 3/8- 24 X 1"	2	
18	2951	CLUTCH RETAINER	1	
19	2955	LOCK WASHER 7/16"	1	
20	2956	HHCS 7/16- 20 X 1.1/2"	1	
21	11048	BELT (B- 39)	2	
22	2134	BELT GUARD	1	
23	1273	HHSTS 8- 32 X 3/8"	3	
24	11020	CONTROL PANEL	1	
25	2580	CHOKE CABLE	1	
26	4514	HHCS 1/4- 20 X 5/8"	2	
27	0300B	FLAT WASHER 5/16"	4	
28	0161C	LOCK WASHER 5/16"	4	
29	8381	BOOT	1	
30	5065B	RHMS 10- 32 X 1/2"	8	

# HRT RIDE-ON POWER TROWEL — KOHLER 25HP ENG. & CLUTCH ASSY.

KOHLER 25HP ENGINE & CLUTCH ASSY.



# HRT RIDE-ON POWER TROWEL — KOHLER 25HP ENG. & CLUTCH ASSY.

## KOHLER 25HP ENGINE & CLUTCH ASSY.

<u>NO.</u>	<u>PART NO.</u>	<u>PART NAME</u>	<u>QTY.</u>	<u>REMARKS</u>
31	2655	HOURLMETER	1	
32	8126	HOSE CLAMP	1	
33	0205	HHCS 3/8- 16 X 1"	4	
34	2673	CIRCUIT BREAKER	1	
35	10024	LOCK NUT 1/4- 20	2	
36	0948	FLAT WASHER 1/4"	2	
37	10019	LOCK NUT 10- 32	6	
38	2203	FLAT WASHER #10	4	
39	11078	IGNITION KEY	1	
40	10381	ENGINE ADAPTER	1	
41	0105	HHCS 5/16- 18 X 1.1/2"	4	
42	10136	FLAT WASHER 3/8"	8	
43	10133	LOCK NUT 3/8- 16	4	
44	4682	SWITCH	1	
45	10018	SHCS 10- 32 X 1"	1	
46	11094	CLUTCH SPACER	1	
47	19473	HOSE CLAMP	4	
48	10691	FUEL HOSE	1	
49	11031	MUFFLER KIT	1	
50	11037	MUFFLER SHIELD	1	
51	8128	HOSE CLAMP	2	



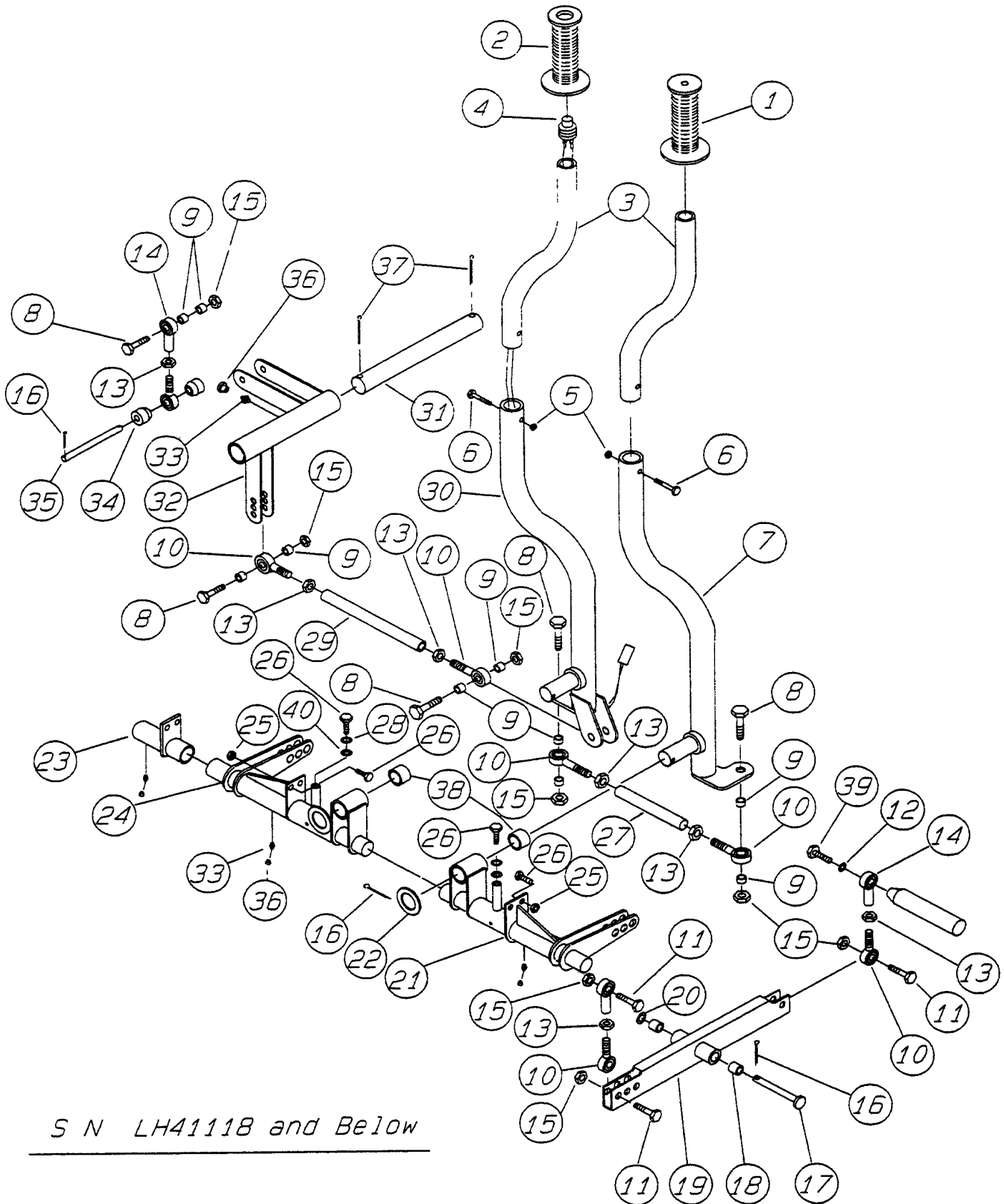
# HRT RIDE-ON POWER TROWEL — DRIVE ASSY.

DRIVE ASSY.

<u>NO.</u>	<u>PART NO.</u>	<u>PART NAME</u>	<u>QTY.</u>	<u>REMARKS</u>
1	2052	C.V. JOINT	4	
2	2259	C. V. JOINT BOOT (REPLACEMENT ONLY)		
3	0126	WOODRUFF KEY #9	4	
4	2186	SHCS 5/16-18 X 2.1/4"	3	
5	2054	PULLEY .....	1	TO LG40710
5	11028	PULLEY .....	1	FROM LG40711
6	2129	BEARING SHAFT	1	
7	2126	SQUARE KEY 3/16 X 3/16 X 3/16"	1	
8	2122	DRIVE SHAFT	1	
9	2090	SNAP RING	4	
10	10133	LOCK NUT 3/8"	4	
11	10514	SPACER	1	
12	10337	PILLOW BLOCK BEARING	2	
13	10136	FLAT WASHER 3/8"	8	
14	1284	HHCS 3/8- 16 X 1.1/2"	4	
15	2029	COUPLER 1" I.D.	1	
16	2037	RETAINING WASHER	1	
17	1146	FHSCS 5/16- 18 X 1"	1	
18	2218	PLUG	12	
19	0161C	FLAT WASHER 5/16"	12	
20	2187	SHCS 5/16- 18 X 2.1/2"	3	
21	10138	SHSS 1/4- 20 X 1/2"	1	

# HRT RIDE-ON POWER TROWEL — STEERING ASSY.

STEERING ASSY.



*S N LH41118 and Below*

# HRT RIDE-ON POWER TROWEL — STEERING ASSY.

## STEERING ASSY.

<u>NO.</u>	<u>PART NO.</u>	<u>PART NAME</u>	<u>QTY.</u>	<u>REMARKS</u>
1	0189	LEFT SIDE HAND GRIP .....	1 .....	NO OPTIONS
1	2267	LEFT SIDE HAND GRIP .....	1 .....	RETARDANT SPRAY OPT.
2	2267	RIGHT SIDE HAND GRIP	1	
3	10130	HANDLE EXTENSIONS	2	
4	2766	KILL BUTTON	1	
5	2197	ACORN NUT 1/4- 20	2	
6	0424	HHCS 1/4- 20 X 1.1/4"	2	
7	10131	LEFT HANDLE	1	
8	9154	HHCS 3/8- 16 X 1.3/4"	5	
9	2196	SPACER	10	
10	2063	SPHERICAL BEARING .....	9 .....	RIGHT HAND MALE
11	1023	HHCS 3/8- 16 X 1.1/4"	6	
12	1875	INT. SHKP. WASHER 3/8"	2	
13	2199	JAM NUT 3/8- 24	9	
14	2064	SPHERICAL BEARING .....	7 .....	RIGHT HAND FEMALE
15	10133	LOCK NUT 3/8- 16	11	
16	0183	COTTER PIN 1/8" X 1.1/4"	6	
17	2097	CLEVIS PIN 3/8" X 2.3/4"	2	
18	1484	BUSHING	4	
19	2891	STEERING CONTROL LEVER	2	
20	10136	FLAT WASHER 3/8"	2	
21	10605	LEFT SIDE STEERING ASM.	1	
22	8151	FLAT WASHER 3/4"	2	
23	10603	BOSS & SUPPORT	2	
24	10606	RIGHT SIDE STEERING ASM.	1	
25	5283	LOCK NUT 5/16- 18	8	
26	0655	HHCS 5/16- 18 X 3/4"	10	
27	2352	CONNECTOR ROD	1	
28	0161C	LOCK WASHER 5/16"	2	
29	2093	LINKAGE ROD	1	
30	10132	RIGHT HANDLE	1	
31	2080	RIGHT/ LEFT MOTION SHAFT	1	
32	2045	RIGHT/ LEFT MOTION ARM .....	1 .....	TO ME34629
32	10718	RIGHT/ LEFT MOTION ARM .....	1 .....	FROM ME34630
33	5228	GREASE FITTING	5	
34	2188	SPACER	2	
35	2193	ADAPTER PLATE PIN	1	
36	1162A	LUBRA- CAP	5	
37	2219	COTTER PIN 1/8" X 1.1/2"	2	
38	2168	BUSHING	4	
39	10207	BHCS 3/8- 16 X 1.1/4"	2	
40	0300B	FLAT WASHER 5/16"	2	

S. N. LH41118 AND BELOW



# HRT RIDE-ON POWER TROWEL — STEERING ASSY.

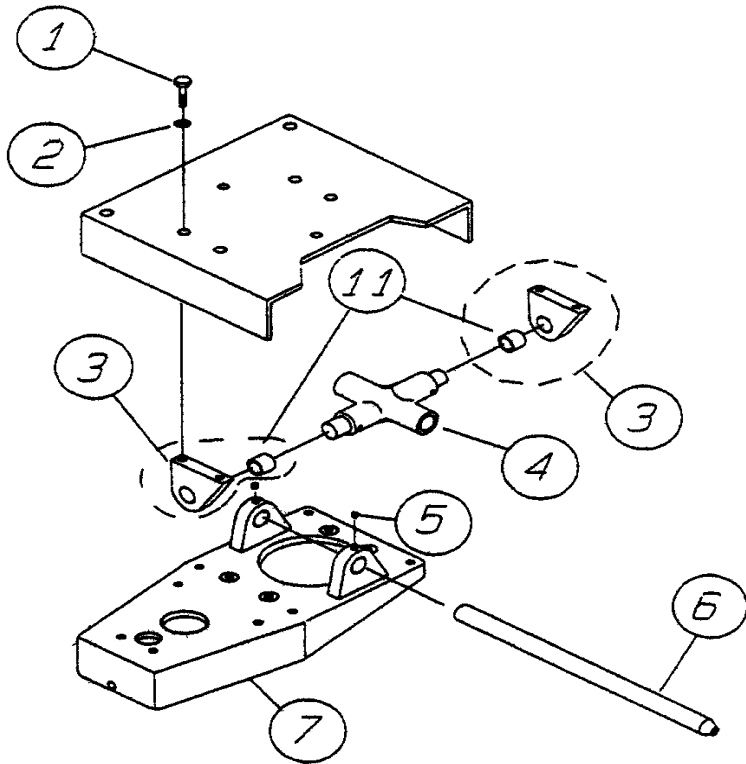
## STEERING ASSY.

<u>NO.</u>	<u>PART NO.</u>	<u>PART NAME</u>	<u>QTY.</u>	<u>REMARKS</u>
1	0189	LEFT SIDE HAND GRIP .....	1 .....	NO OPTIONS
1	2267	LEFT SIDE HAND GRIP .....	1 .....	RETARDANT SPRAY OPT.
2	0189	RIGHT SIDE HAND GRIP	1	
3	10130	HANDLE EXTENSIONS	2	
4	11090	SHCS 3/8- 16 X 1.1/4"	1	
5	2197	ACORN NUT 1/4- 20	2	
6	0424	HHCS 1/4- 20 X 1.1/4"	2	
7	11079	LOWER HANDLE	2	
8	1665	HHCS 3/8- 16 X 2"	2	
9	2196	SPACER	7	
10	2063	SPHERICAL BEARING .....	8 .....	RIGHT HAND MALE
11	1284	HHCS 3/8- 16 X 1.1/2"	6	
12	1875	INT. SHKP. WASHER 3/8"	2	
13	2199	JAM NUT 3/8- 24	8	
14	2064	SPHERICAL BEARING .....	6 .....	RIGHT HAND FEMALE
15	10133	LOCK NUT 3/8- 16	8	
16	0183	COTTER PIN	4	
17	11073	PIN	2	
18	11072	BEARING	4	
19	11071	STEERING CONTROL LEVER	2	
20	11082	CAP	4	
21	10605	LEFT SIDE STEERING ASM.	1	
22	8151	FLAT WASHER 3/4"	2	
23	10603	BOSS & SUPPORT	2	
24	10606	RIGHT SIDE STEERING ASM.	1	
25	5283	LOCK NUT 5/16- 18	8	
26	0655	HHCS 5/16- 18 X 3/4"	10	
27	11089	SHCS 3/8- 16 X 1.3/4"	1	
28	0161C	LOCK WASHER 5/16"	2	
29	11087	LINKAGE ROD	1	
30	0300B	FLAT WASHER 5/16"	2	
31	2080	RIGHT/ LEFT MOTION SHAFT	1	
32	10718	RIGHT/ LEFT MOTION ARM	1	
33	5228	GREASE FITTING	7	
34	2188	SPACER	2	
35	2193	ADAPTER PLATE PIN	1	
36	1162A	LUBRA- CAP	5	
37	2219	COTTER PIN	2	
38	2168	BUSHING	4	
39	10207	BHCS 3/8- 16 X 1.1/4"	2	

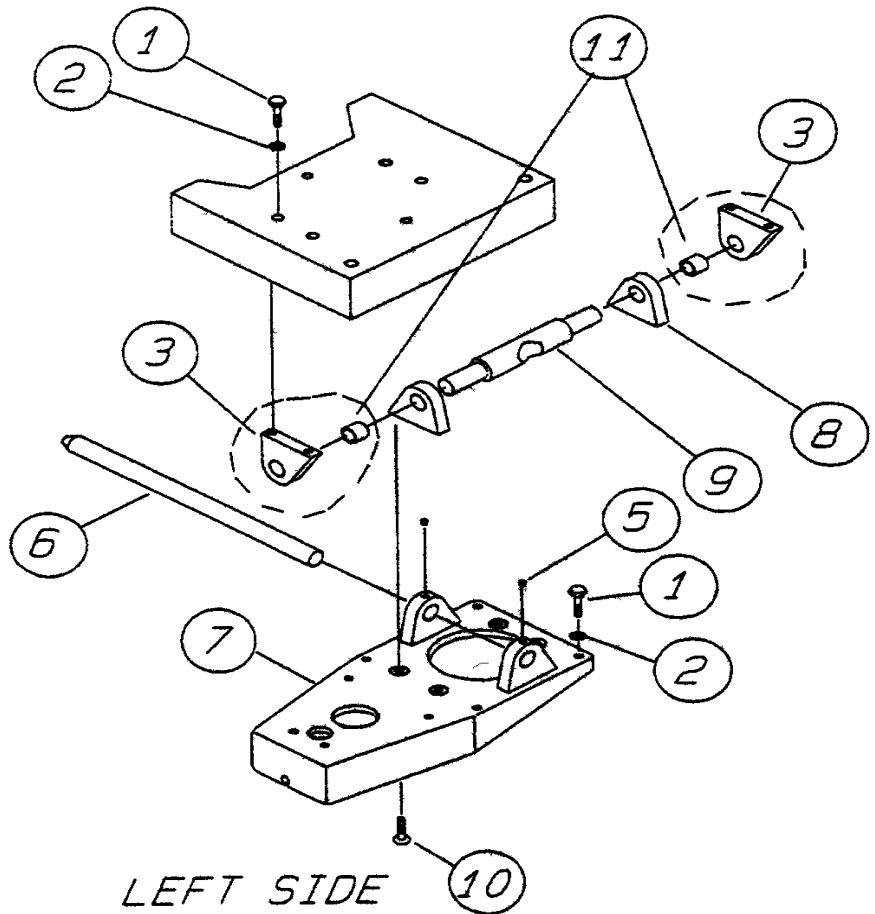
S. N. LH41119 AND ABOVE

# HRT RIDE-ON POWER TROWEL — GEARBOX ADAPTER PLATES ASSY.

## GEARBOX ADAPTER PLATES ASSY.



*RIGHT SIDE*



*LEFT SIDE*

# HRT RIDE-ON POWER TROWEL — GEARBOX ADAPTER PLATES ASSY.

## GEARBOX ADAPTER PLATES ASSY.

<u>NO.</u>	<u>PART NO.</u>	<u>PART NAME</u>	<u>QTY.</u>	<u>REMARKS</u>
1	1023	HHCS 3/8- 16 X 1.1/4"	16	
2	0166A	LOCK WASHER 3/8"	16	
3	2304	ROCKER BLOCK ASM. ....	4	INCLUDING ITEM 11
4	2146	PIVOT ARM	1	
5	10138	SHSS 1/4- 20 X 1/2"	4	
6	2268	CONTROL PIVOT ARM	2	
7	1992	ADAPTER PLATE	2	
8	2312	ROCKER BLOCK	2	
9	2145	PIVOT SHAFT	2	
10	1394	FHSCS 3/8- 16 X 1"	4	
11	2088	BUSHING .....	4	AFTER PRESSING BUSHING ..... INTO ROCKER BLOCK, REAM ..... TO .752 )



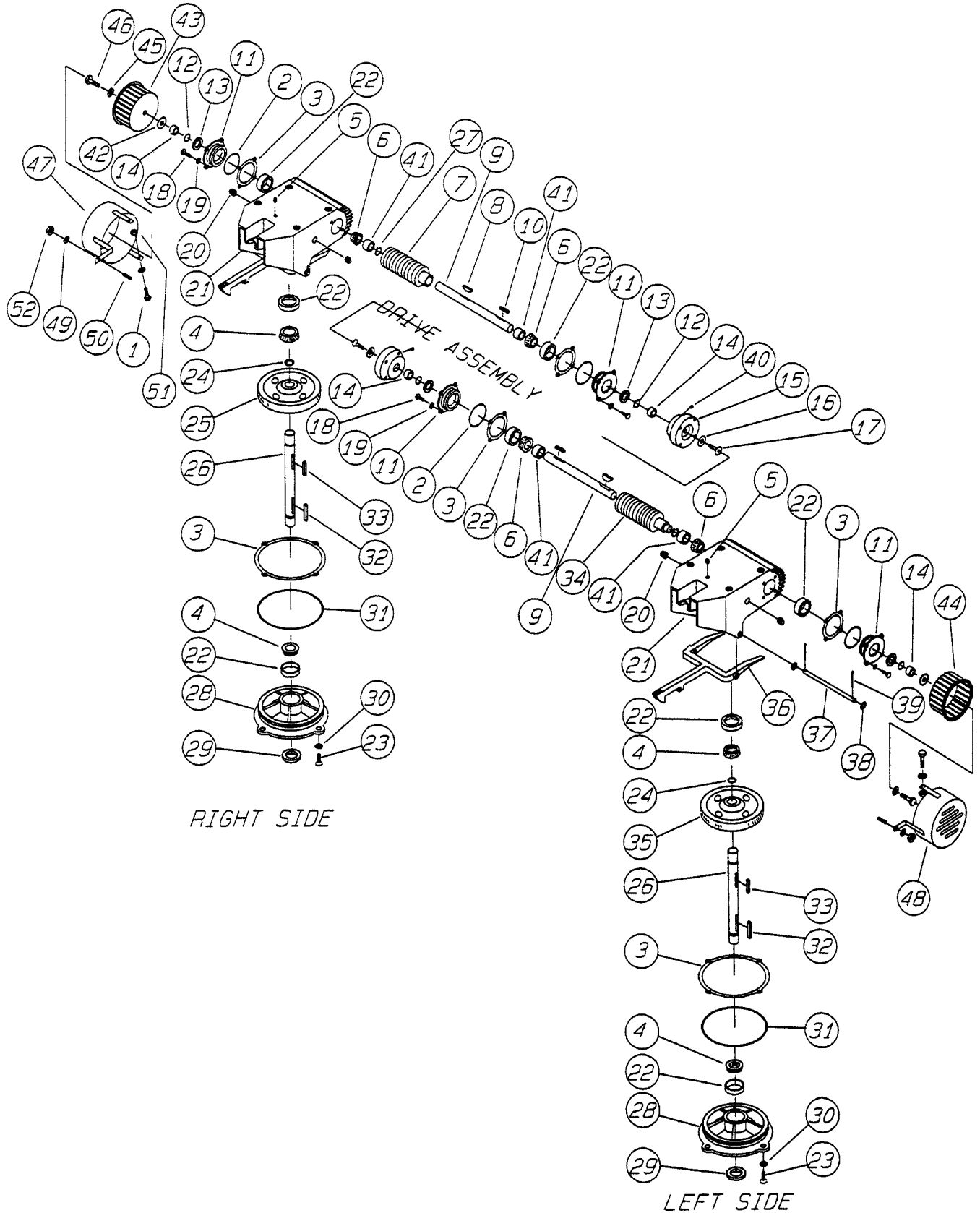
# HRT RIDE-ON POWER TROWEL — GEARBOX ASSY.

GEARBOX ASSY.

<u>NO.</u>	<u>PART NO.</u>	<u>PART NAME</u>	<u>QTY.</u>	<u>REMARKS</u>
1	5065B	RHMS 10- 32 X 1/2"	4	
2	2309	O- RING .....	4	INCLUDED IN ITEM 3
3	2618	GASKET KIT		
4	0232	BEARING CONE	4	
5	1132	AIR VENT	2	
6	9045	BEARING CONE	4	
7	9032	RIGHT SIDE WORM	1	
8	1139	WOODRUFF KEY #21	2	
9	2094	COUNTERSHAFT .....	2	TO LC38744
9	10913	COUNTERSHAFT .....	2	FROM LC38745
10	2323	SQUARE KEY 1/4 X 1/4 X 15/16"	2	
11	2307	FLANGE	4	
12	2116	O- RING	4	
13	9044	OIL SEAL .....	4	INCLUDED IN ITEM 3
14	9043	SPACER	4	
15	2048	COUPLER	2	
16	9120	RETAINING WASHER	2	
17	1313	FHSCS 3/8- 24 X 3/4"	2	
18	2295	HHCS 1/4-20 X 7/8"	16	
19	0133W	COPPER WASHER 1/4"	16	
20	0121A	PLUG	6	
21	2228	GEARBOX .....	2	TO LC38744
21	10776	GEARBOX .....	2	FROM LC38745
22	0232A	BEARING CUP	8	
23	1146	FHSCS 5/16- 18 X 1" NYLOC	8	
24	1138	RETAINING RING	2	
25	9181	RIGHT SIDE WORM GEAR	1	
26	9179	MAINSHAFT	2	
27	9049	RETAINING RING	2	
28	9036	COVER PLATE	2	
29	9041	SEAL .....	2	INCLUDED IN ITEM 3
30	10235	INT. LOCK WASHER 5/16"	8	

# HRT RIDE-ON POWER TROWEL — GEARBOX ASSY.

## GEARBOX ASSY.



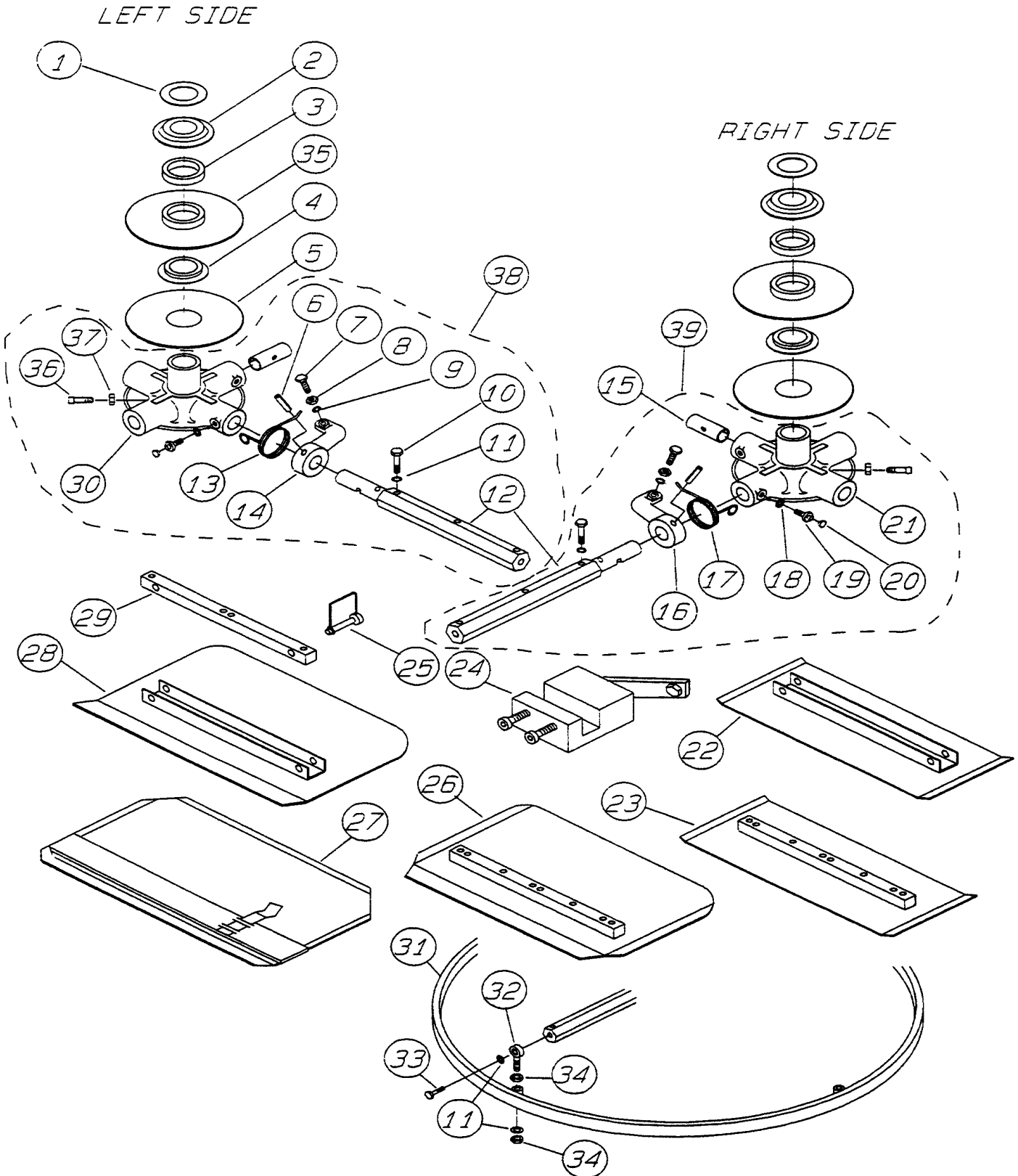
# HRT RIDE-ON POWER TROWEL — GEARBOX ASSY.

GEARBOX ASSY.

<u>NO.</u>	<u>PART NO.</u>	<u>PART NAME</u>	<u>QTY.</u>	<u>REMARKS</u>
31	9038	O- RING .....	2 .....	INCLUDED IN ITEM 3
32	9183	SQUARE KEY 5/16 X 5/16 X 3"	2	
33	9180	SQUARE KEY 5/16 X 5/16 X 2.1/4"	2	
34	1993	LEFT SIDE WORM	1	
35	2001	LEFT SIDE WORM GEAR (BRONZE)	1	
36	9027	YOKE ARM	2	
37	9028	YOKE PIN	2	
38	10136	FLAT WASHER 3/8"	8	
39	0683	COTTER PIN 3/32" X 3/4"	2	
40	10138	SHSS 1/4- 20 X 1/2"	2	
41	9042	SPACER	4	
42	10930	FENDER WASHER 1/4"	2	
43	10921	FAN (CW)	1	
44	10922	FAN (CCW)	1	
45	0948	FLAT WASHER 1/4"	2	
46	0424	HHCS 1/4- 20 X 1.1/4"	2	
47	10894	RIGHT SIDE FAN COVER	1	
48	10893	LEFT SIDE FAN COVER	1	
49	2203	WASHER #10	6	
50	10989	STUD 10- 32	2	
51	0937	HEX NUT 10- 32	2	
52	10019	LOCK NUT 10- 32	2	
	2619	BEARING REPLACEMENT KIT .....		NOT SHOWN
	10950	RIGHT SIDE GEARBOX ASM.		
	10951	LEFT SIDE GEARBOX ASM.		

# HRT RIDE-ON POWER TROWEL — SPIDER & BLADES ASSY.

SPIDER & BLADES ASSY.



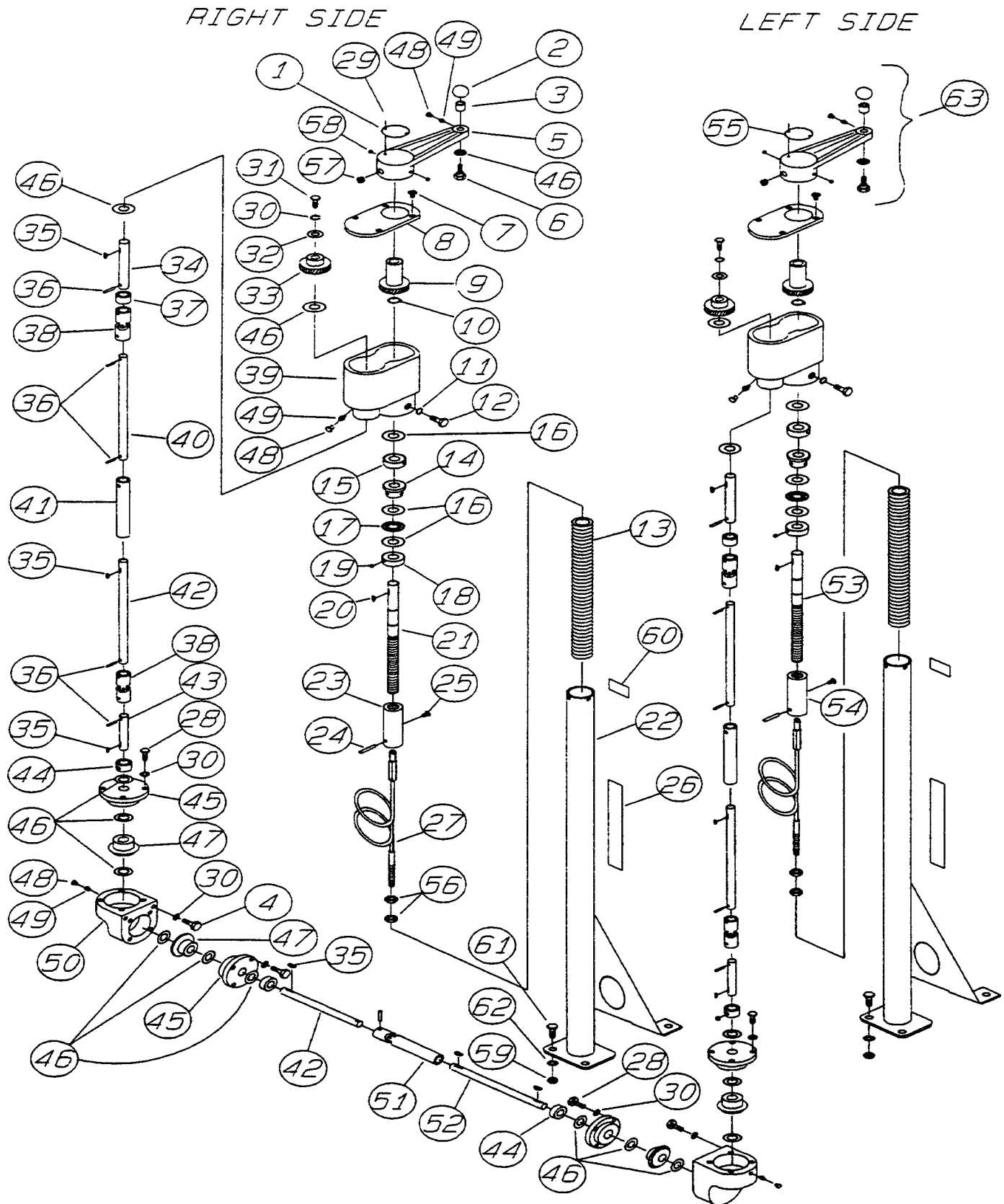
# HRT RIDE-ON POWER TROWEL — SPIDER & BLADES ASSY.

## SPIDER & BLADES ASSY.

<u>NO.</u>	<u>PART NO.</u>	<u>PART NAME</u>	<u>QTY.</u>	<u>REMARKS</u>
1	1803	WEAR PLATE	2	
2	1152	THRUST COLLAR CAP	2	
3	1153	THRUST BEARING	2	
4	1471	THRUST COLLAR BUSHING	2	
5	9009	WEAR PLATE	2	
6	9006	ROLL PIN	8	
7	0164B	GGCS 3/8- 16 X 1.1/4" FULL THREAD RADIUS HEAD	8	
8	1876	JAM NUT 3/8- 16	8	
9	0166A	LOCK WASHER 3/8"	8	
10	1207	HHCS 5/16- 18 X 1.1/2"	24	
11	0161C	LOCK WASHER 5/16"	32	
12	2829	TROWEL ARM	8	
13	9111	RIGHT HAND SPRING	4	
14	9005	LEFT SIDE TROWEL ARM LEVER	4	
15	9008	BUSHING	8	
16	1986	RIGHT SIDE TROWEL ARM LEVER	8	
17	2143	LEFT HAND SPRING	4	
18	1875	INT. LOCK WASHER 3/8"	8	
19	1322	RETAINING SCREW	8	
20	1162A	LUBRA- CAP	8	
21	2137	RIGHT SIDE SPIDER	1	
22	1874	UNIVERSAL FINISH BLADE .....	8	OPTIONAL
23	0400	FINISH BLADE .....	8	OPTIONAL
24	9177	TROWEL ARM ADJUSTMENT FIXTURE .....	9	OPTIONAL
25	1869	SNAP RING .....	16	OPTIONAL
26	2949	COMBINATION FLOAT & FINISH BLADE	8	
27	444F	CLIP- ON FLOAT BLADE .....	8	OPTIONAL
28	1873	UNIVERSAL FIT COMBINATION BLADE .....	8	OPTIONAL
29	1856	UNIVERSAL FIT MOUNTING BAR .....	8	OPTIONAL
30	9003	LEFT SIDE SPIDER	1	
31	9148	STABILIZER RING	2	
32	1723	ROD END	8	
33	1237	SHCS 5/16- 18 X 7/8"	8	
34	6014C	HEX NUT 5/16- 24	8	
35	9010	THRUST COLLAR .....	2	INCLUDES ITEM 4
36	1167A	SHSS 3/8- 16 X 1.1/2" CONE POINT	2	
37	1456	HEX NUT 3/8- 16	2	
38	9150	LEFT SIDE SPIDER ASM.	1	
39	2271	RIGHT SIDE SPIDER ASM.	1	

# HRT RIDE-ON POWER TROWEL — TWIN PITCH CONTROL ASSY.

TWIN PITCH CONTROL ASSY.



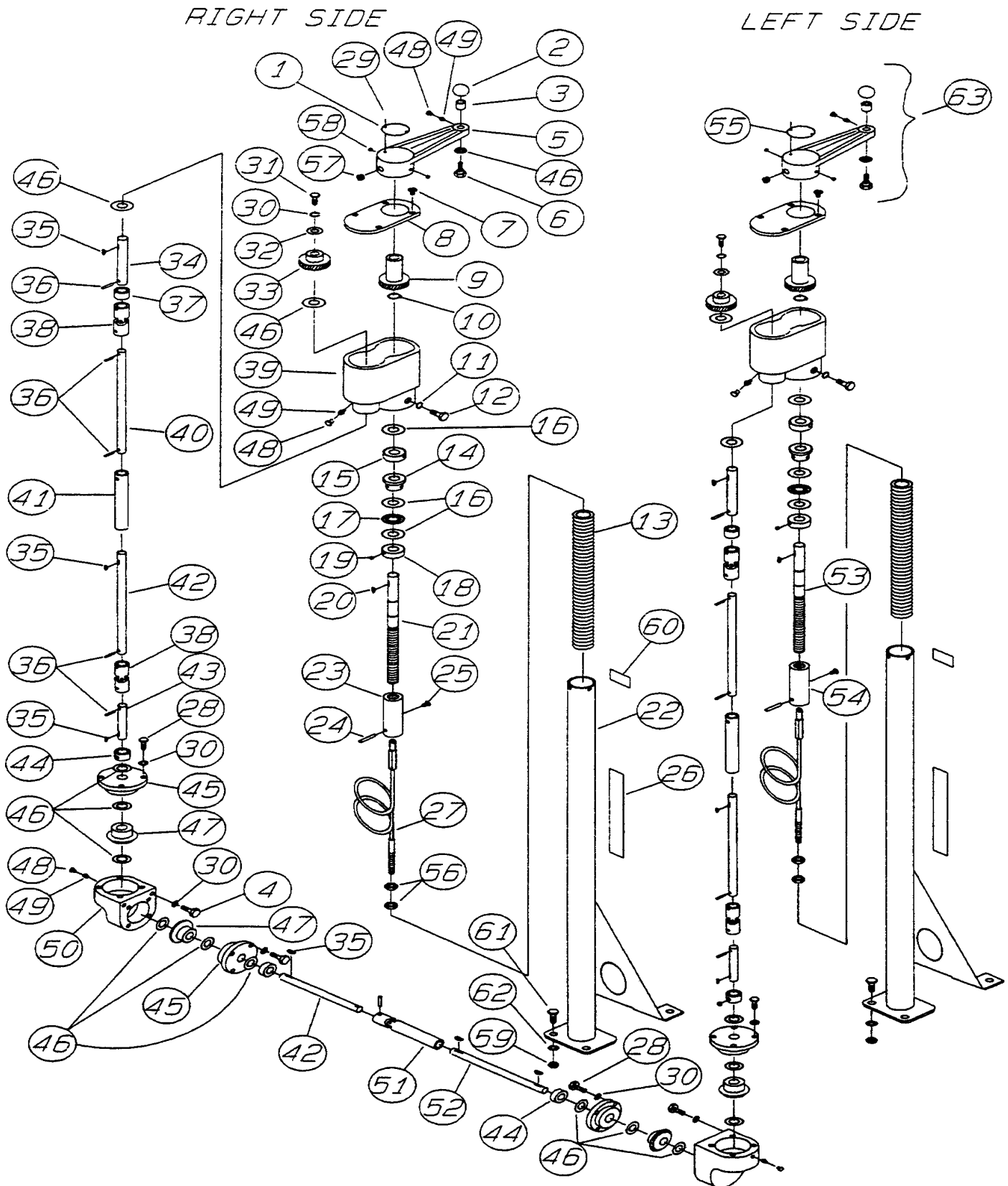
# HRT RIDE-ON POWER TROWEL — TWIN PITCH CONTROL ASSY.

## TWIN PITCH CONTROL ASSY.

<u>NO.</u>	<u>PART NO.</u>	<u>PART NAME</u>	<u>QTY.</u>	<u>REMARKS</u>
1	2300	RIGHT SIDE DECAL	1	
2	4403	CRANK KNOB	2	
3	3231	SPACER	2	
4	4514	HHCS 1/4- 20 X 5/8"	4	
5	1615	CRANK LEVER	2	
6	1616	SHOULDER BOLT	2	
7	2620	BHMS 10- 24 X 5/8"	8	
8	2649	COVER PLATE	2	
9	1529	MASTER GEAR	2	
10	1135	RETAINING RING .....	2	TO MA33523
10	10512	RETAINING RING .....	2	FROM MA33524
11	0161C	LOCK WASHER 5/16"	6	
12	0655	HHCS 5/16- 18 X 3/4"	6	
13	2156	SPRING	2	
14	1612	BEARING	2	
15	1604	BEARING	2	
16	2170	THRUST WASHER	6	
17	2169	THRUST BEARING	2	
18	2367	SET COLLAR	2	
19	0685	SHSS 5/16- 18 X 5/16"	4	
20	0126	WOODRUFF KEY #9	2	
21	10510	RIGHT SIDE PITCH CONTROL SCREW	1	
22	10548	PITCH CONTROL TUBE	2	
23	10383	RIGHT SIDE BLOCK .....	1	TO ME 34629
23	10721	RIGHT SIDE BLOCK .....	1	FROM ME34630
24	1114	ROLL PIN .....	2	TO ME34629
24	10723	ROLL PIN .....	2	FROM ME34630
25	10382	SHOLDER BOLT 3/8 X 3/8"	2	
26	1499	WHITEMAN DECAL	2	
27	2008	CABLE	2	
28	0730	HHCS 1/4- 20 X 1"	16	
29	4014	U- DRIVE SCREW 2 X 3/16"	4	
30	0181B	LOCK WASHER 1/4"	22	
31	1579	HHCS 1/4- 20 X 1/2"	2	
32	0948	FLAT WASHER 1/4"	2	
33	1530	SLAVE GEAR	2	
34	2007	SHAFT	2	
35	1578	WOODRUFF KEY #3	9	
36	1586	ROLL PIN	11	
37	2311	SPACER	2	
38	1536	U- JOINT	4	
39	10546	HOUSING	2	
40	2023	SHAFT	2	

# HRT RIDE-ON POWER TROWEL — TWIN PITCH CONTROL ASSY.

TWIN PITCH CONTROL ASSY.



# HRT RIDE-ON POWER TROWEL — TWIN PITCH CONTROL ASSY.

## TWIN PITCH CONTROL ASSY.

<u>NO.</u>	<u>PART NO.</u>	<u>PART NAME</u>	<u>QTY.</u>	<u>REMARKS</u>
41	2012	SLEEVE	2	
42	2022	SHAFT	3	
43	2021	SHAFT	2	
44	1577	SET COLLAR	4	
45	1988	MITER BOX CAP	4	
46	1733	HARDENED WASHER	18	
47	2062	MITER GEAR	4	
48	1162A	LUBRA- CAP	6	
49	2621	GREASE FITTING	6	
50	1987	MITER BOX	2	
51	2104	SLEEVE	1	
52	2049	SHAFT	1	
53	10511	LEFT SIDE PITCH CONTROL SCREW	1	
54	10390	LEFT SLIDE BLOCK .....	1	TO ME34629
54	10722	LEFT SLIDE BLOCK .....	1	FROM ME34630
55	2332	LEFT SIDE DECAL	1	
56	1116	BRASS JAM NUT	4	
57	0185	SHSS 3/8- 16 X 3/8"	2	
58	1528	SHSS 1/4- 20 X 5/16"	4	
59	5283	LOCK NUT 5/15- 18	8	
60	2634	SPRING WARNING DECAL	2	
61	0202	HHCS 5/16- 18 X 1"	8	
62	0300B	FLAT WASHER 5/16	8	
63	1617	LEVER ASM. ....	2	INCLUDES ITEMS 2,3,5, 6,46,48,49,57 & 58



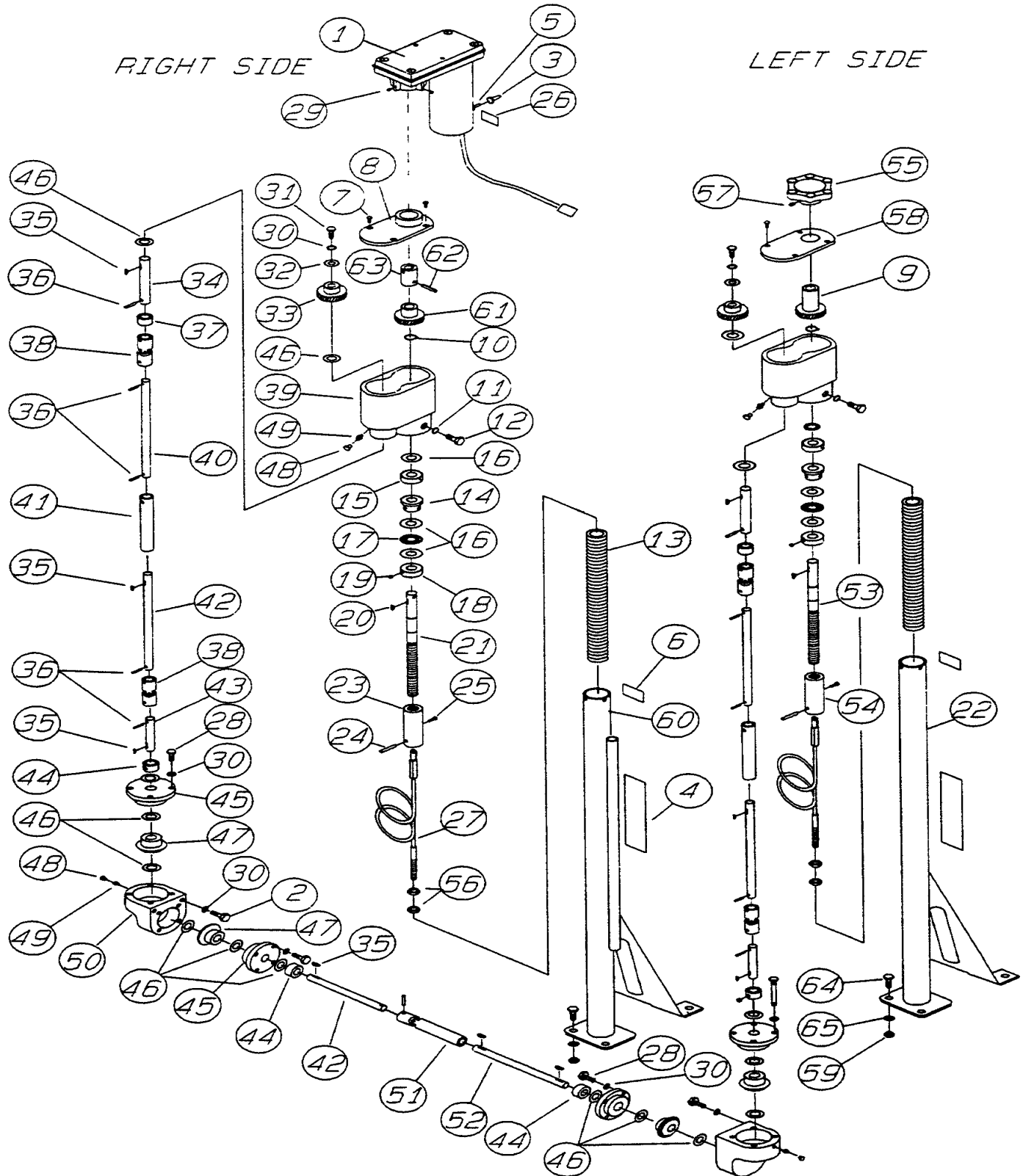
# HRT RIDE-ON POWER TROWEL — ELECTRIC PITCH CONTROL ASSY.

## ELECTRIC PITCH CONTROL ASSY.

<u>NO.</u>	<u>PART NO.</u>	<u>PART NAME</u>	<u>QTY.</u>	<u>REMARKS</u>
1	10482	HEAD	1	
2	4514	1/4- 20 X 5/8"	4	
3	8381	BOOT SWITCH COVER	1	
4	1499	WHITEMAN DECAL	2	
5	2596	SWITCH	1	
6	2634	SPRING WARNING DECAL	2	
7	2620	BHMS 10- 24 X 5/8"	8	
8	2592	COVER PLATE	1	
9	1529	MASTER GEAR	1	
10	1135	RETAINING RING .....	2	TO MA33523
10	10512	RETAINING RING .....	2	FROM MA33524
11	0161C	LOCK WASHER 5/16"	6	
12	0655	HHCS 5/16- 18 X 3/4"	6	
13	2156	SPRING	2	
14	1612	BEARING	2	
15	1604	BEARING	2	
16	2170	THRUST WASHER	6	
17	2169	THRUST BEARING	2	
18	2367	SET COLLAR	2	
19	0685	SHSS 5/16- 18 X 5/16"	4	
20	0126	WOODRUFF KEY #9	2	
21	10623	RIGHT SIDE PITCH CONTROL SCREW	1	
22	10548	PITCH CONTROL TUBE	1	
23	10383	RIGHT SIDE SLIDE BLOCK .....	1	TO ME34629
23	10721	RIGHT SIDE SLIDE BLOCK .....	1	FROM ME34630
24	1114	ROLL PIN .....	2	TO ME34629
24	10723	ROLL PIN .....	2	FROM ME34630
25	10382	SHOULDER BOLT 3/8 X 3/8"	2	
26	2881	BLADE PITCH DECAL	1	
27	2008	CABLE	2	
28	0730	HHCS 1/4- 20 X 1"	16	
29	10138	SHSS 1/4- 20 X 1/2"	4	
30	0181B	LOCK WASHER 1/4"	22	
31	1579	HHCS 1/4- 20 X 1/2"	2	
32	0948	FLAT WASHER 1/4"	2	
33	1530	SLAVE GEAR	2	
34	2007	SHAFT	2	
35	1578	WOODRUFF KEY #3	9	
36	1586	ROLL PIN	11	
37	2311	SPACER	2	
38	1536	U- JOINT	4	
39	10546	HOUSING	2	
40	2023	SHAFT	2	

# HRT RIDE-ON POWER TROWEL — ELECTRIC PITCH CONTROL ASSY.

ELECTRIC PITCH CONTROL ASSY.



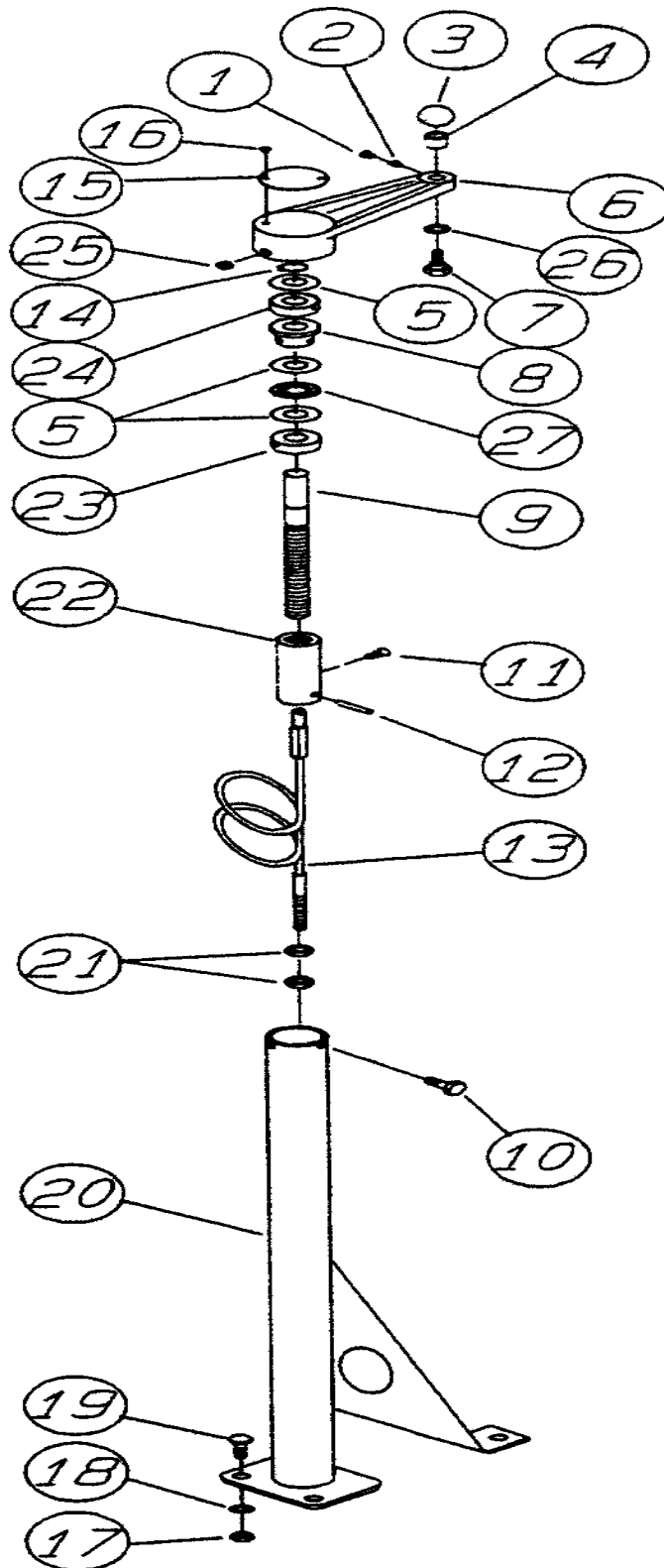
# HRT RIDE-ON POWER TROWEL — ELECTRIC PITCH CONTROL ASSY.

## ELECTRIC PITCH CONTROL ASSY.

<u>NO.</u>	<u>PART NO.</u>	<u>PART NAME</u>	<u>QTY.</u>	<u>REMARKS</u>
41	2012	SLEEVE	2	
42	2022	SHAFT	3	
43	2021	SHAFT	2	
44	1577	SET COLLAR	4	
45	1988	MITER BOX CAP	4	
46	1733	HARDENED WASHER	16	
47	2062	MITER GEAR	4	
48	1162A	LUBRA- CAP	4	
49	2621	GREASE FITTING	4	
50	1987	MITER BOX	2	
51	2104	SLEEVE	1	
52	2049	SHAFT	1	
53	10511	LEFT SIDE PITCH CONTROL SCREW	1	
54	10390	LEFT SIDE SLIDE BLOCK.....	1	TO ME34629
54	10722	LEFT SIDE SLIDE BLOCK.....	1	FROM ME34630
55	2591	STAR WHEEL	1	
56	1116	BRASS JAM NUT	4	
57	1528	SHSS 1/4- 20 X 5/16"	2	
58	2649	COVER PLATE	1	
59	5283	LOCK NUT 5/16- 18	8	
60	10647	RIGHT SIDE PITCH CONTROL TUBE	1	
61	2698	ELECTRIC PITCH GEAR	1	
62	2695	ROLL PIN	1	
63	2593	SLEEVE ADAPTER	1	
64	0202	HHCS 5/16- 18 X 1"	8	
65	0300B	FLAT WASHER 5/16"	8	

# HRT RIDE-ON POWER TROWEL — SINGLE PITCH CONTROL ASSY.

SINGLE PITCH CONTROL ASSY.



*NOTE TWO ASSEMBLIES REQUIRED PER MACHINE*

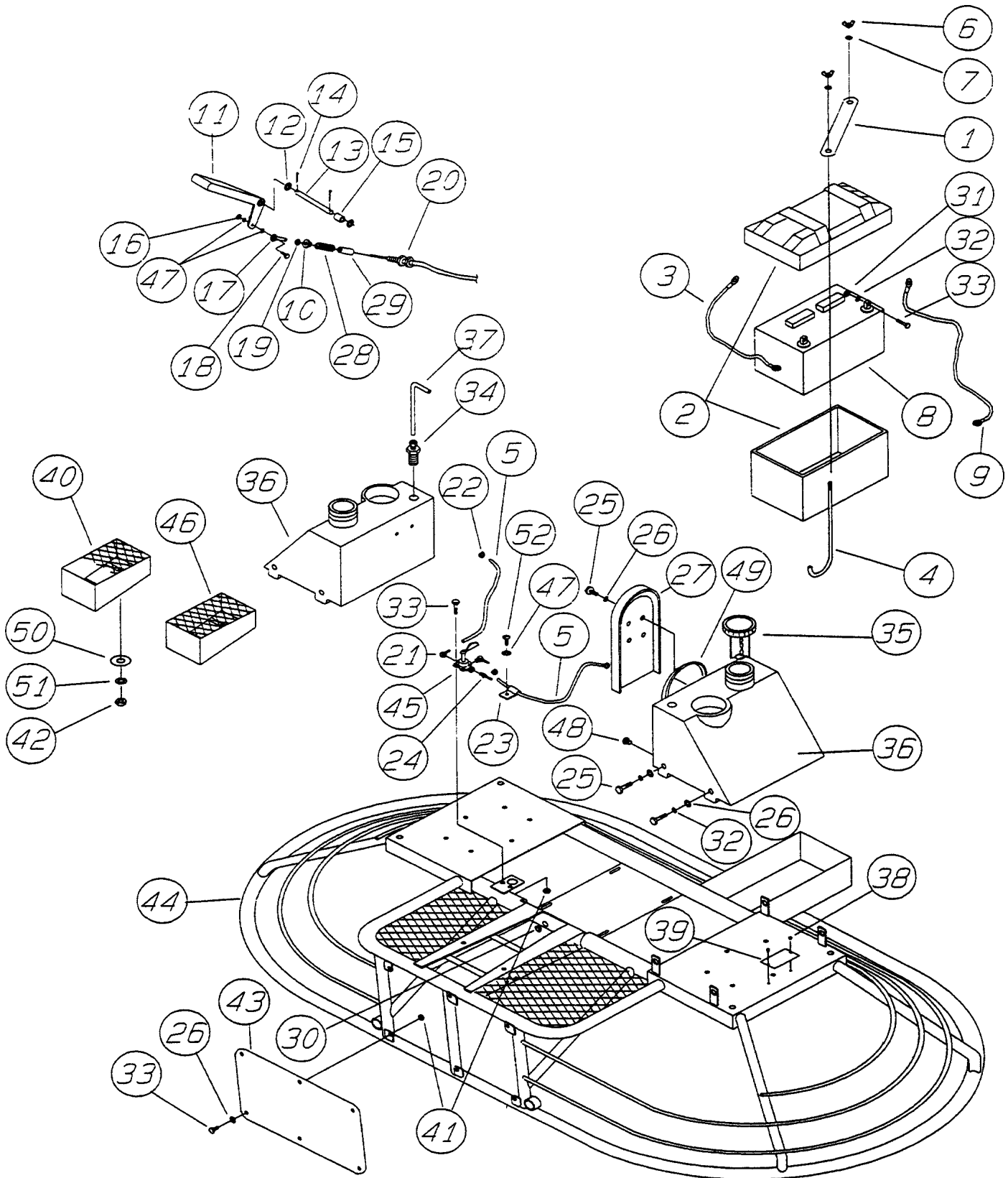
# HRT RIDE-ON POWER TROWEL — SINGLE PITCH CONTROL ASSY.

## SINGLE PITCH CONTROL ASSY.

<u>NO.</u>	<u>PART NO.</u>	<u>PART NAME</u>	<u>QTY.</u>	<u>REMARKS</u>
1	1162A	LUBRA- CAP	2	
2	2621	GREASE FITTING	2	
3	4403	CRANK KNOB	2	
4	3231	SPACER	2	
5	2170	THRUST WASHER	6	
6	2575	CRANK LEVER	2	
7	1616	SHOULDER BOLT	2	
8	1111	BEARING	2	
9	2929	TROWEL CONTROL SCREW .....	2	TO MA33523
9	10646	TROWEL CONTROL SCREW .....	2	FROM MA33524
10	0786	BHCS 1/4- 20 X 3/8"	2	
11	10382	3/8" SHOULDER BOLT	2	
12	1114	ROLL PIN .....	2	ME34629
12	10723	ROLL PIN .....	2	FROM ME34630
13	2008	CABLE	2	
14	1135	SNAP RING .....	1	TO MA33523
14	10512	SNAP RING .....	1	FROM MA33524
15	2300	PITCH CONTROL DECAL	2	
16	4014	2 X 3/16" U- DRIVE SCREW	4	
17	5283	LOCK NUT 5/16- 18	8	
18	0300B	FLAT WASHER 5/16"	8	
19	0202	HHCS 5/16- 18 X 1"	8	
20	10548	PITCH CONTROL TUBE	2	
21	1116	BRASS JAM NUT	4	
22	10383	SLIDE BLOCK .....	2	TO ME34629
22	10721	SLIDE BLOCK .....	2	FROM ME34630
23	2367	SET COLLAR	2	
24	1604	THRUST BEARING	2	
25	0185	SHSS 3/8- 16 X 3/8"	2	
26	1733	HARDENED WASHER	2	
27	2169	THRUST BEARING	2	

# HRT RIDE-ON POWER TROWEL — MAIN FRAME ASSY.

MAIN FRAME ASSY.



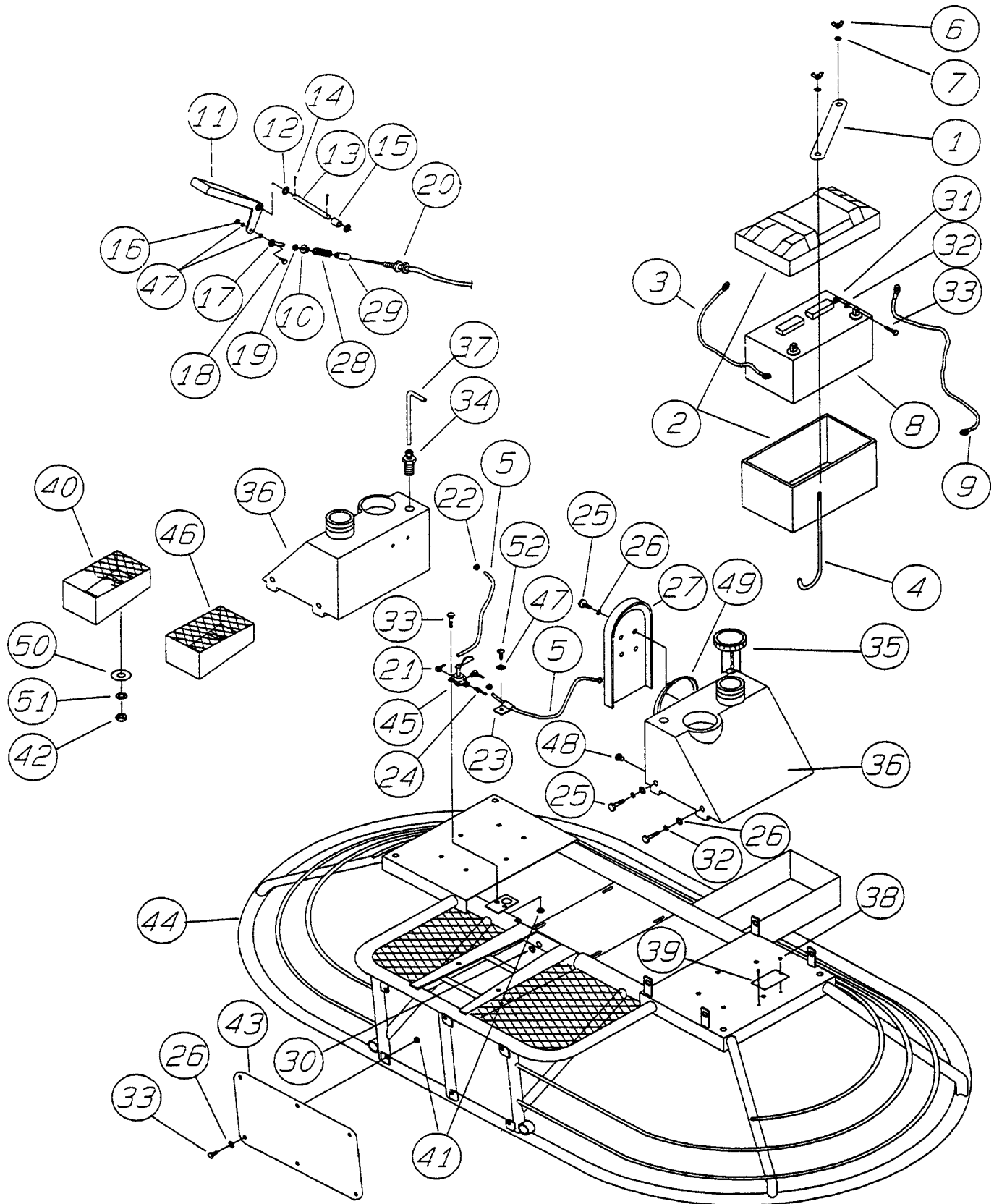
# HRT RIDE-ON POWER TROWEL — MAIN FRAME ASSY.

MAIN FRAMEASSY.

<u>NO.</u>	<u>PART NO.</u>	<u>PART NAME</u>	<u>QTY.</u>	<u>REMARKS</u>
1	106015	BATTERY STRAP	1	
2	2449	BATTERY BOX	1	
3	1597	NEGATIVE BATTERY CABLE (BLACK)	1	
4	10541	BATTERY HOLD DOWN ROD	2	
5	60013	FUEL HOSE .....	4 FT .....	FROM LF40390
6	2509	WING NUT 1/4- 20	2	
7	10031	EXT. SHKP WASHER 1/4"	2	
8	4671	BATTERY 12V DRY (GROUP U- 1)	1	
9	2541	POSITIVE BATTERY CABLE (RED) .....	1 .....	ONAN TO LF40389
9	2625	POSITIVE BATTERY CABLE (RED) .....	1 .....	ONAN FROM LF40390
10	2755	SPRING ADAPTER (SHORT)	1	
11	2086	ACCELERATOR PEDAL	1	
12	10136	FLAT WASHER 3/8"	2	
13	2772	PIN	1	
14	6014B	COTTER PIN	2	
15	3231	SPACER	1	
16	10019	LOCK NUT 10-32	1	
17	2153	SPHERICAL BEARING	1	
18	10018	SHCS 10- 32 X 1"	1	
19	0937	HEX NUT 10- 32	1	
20	2124	THROTTLE CABLE	1	
21	11024	FITTING .....	2 .....	FROM LF40390
22	19473	HOSE CLAMP	4	
23	8128	CLAMP .....	2 .....	FROM LF4390
24	11023	FITTING .....	1 .....	FROM LF40390
25	4514	HHCS 1/4- 20 X 5/8"	10	
26	0948	FLAT WASHER 1/4"	14	
27	2429	SPARE BELT CARRIER	1	
28	2753	THROTTLE SPRING	1	
29	2754	SPRING ADAPTER (LONG)	1	
30	2923	RUBBER GROMMET	1	
31	0949	HEX NUT 1/4- 20	2	
32	0181B	LOCK WASHER 1/4"	10	
33	0131A	HHCS 1/4- 20 X 3/4"	10	
34	19088	FITTING .....	2 .....	FROM LF40121
35	2712	FUEL CAP/W GAUGE	2	
36	2028	FUEL TANK .....	2 .....	TO LF40120
36	1103	FUEL TANK .....	2 .....	FROM LF40121
37	11016	FUEL TUBE .....	2 .....	FROM LF40121
38	4014	2 X 3/16" U- DRIVE SCREW	2	
39	2411	SERIAL NUMBER PLATE	1	
40	2774	RIGHT SIDE FOOTREST	1	

# HRT RIDE-ON POWER TROWEL — MAIN FRAME ASSY.

MAIN FRAME ASSY.



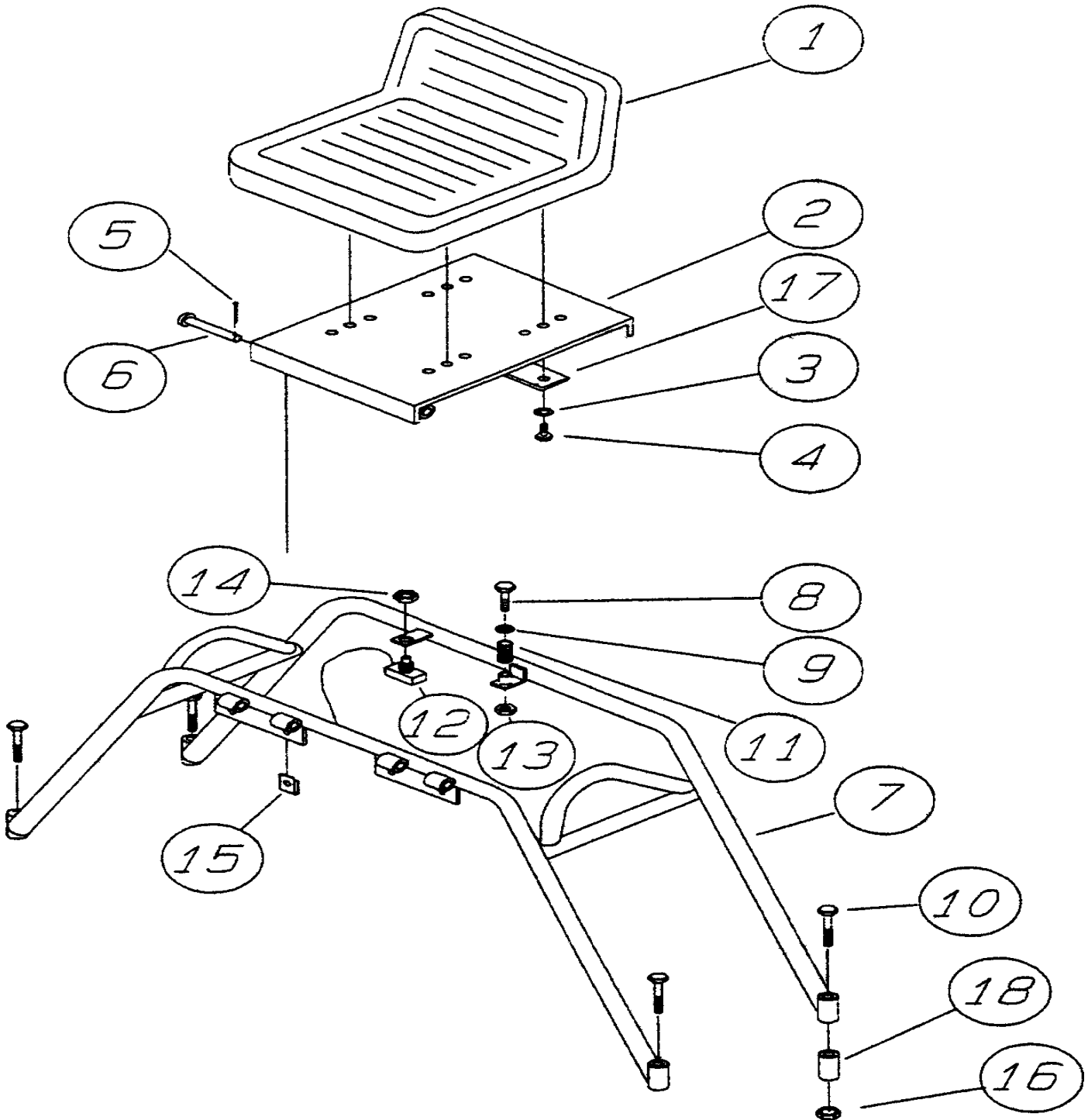
# HRT RIDE-ON POWER TROWEL — MAIN FRAME ASSY.

MAIN FRAMEASSY.

<u>NO.</u>	<u>PART NO.</u>	<u>PART NAME</u>	<u>QTY.</u>	<u>REMARKS</u>
41	10024	LOCK NUT 1/4- 20	8	
42	5283	LOCK NUT 5/16- 18	4	
43	2537	FRONT PANEL	1	
44	10624	MAIN FRAME	1	
45	11022	FUEL VALVE .....	1 .....	FROM LF40390
46	2773	LEFT SIDE FOOTREST	1	
47	2203	FLAT WASHER #10	5	
48	2161	FUEL VALVE .....	1 .....	TO LF40120
49	4213	SPARE BELT (B42) .....	2 .....	ONAN
49	2422	SPARE BELT (B41) .....	2 .....	KOHLER
50	3233	FENDER WASHER	4	
51	0300B	FLAT WASHER 5/16"	4	
52	5065B	RHMS 10-32 X 1/2" .....	3 .....	FROM LF40390

# HRT RIDE-ON POWER TROWEL — SEAT FRAME ASSY.

SEAT FRAME ASSY.



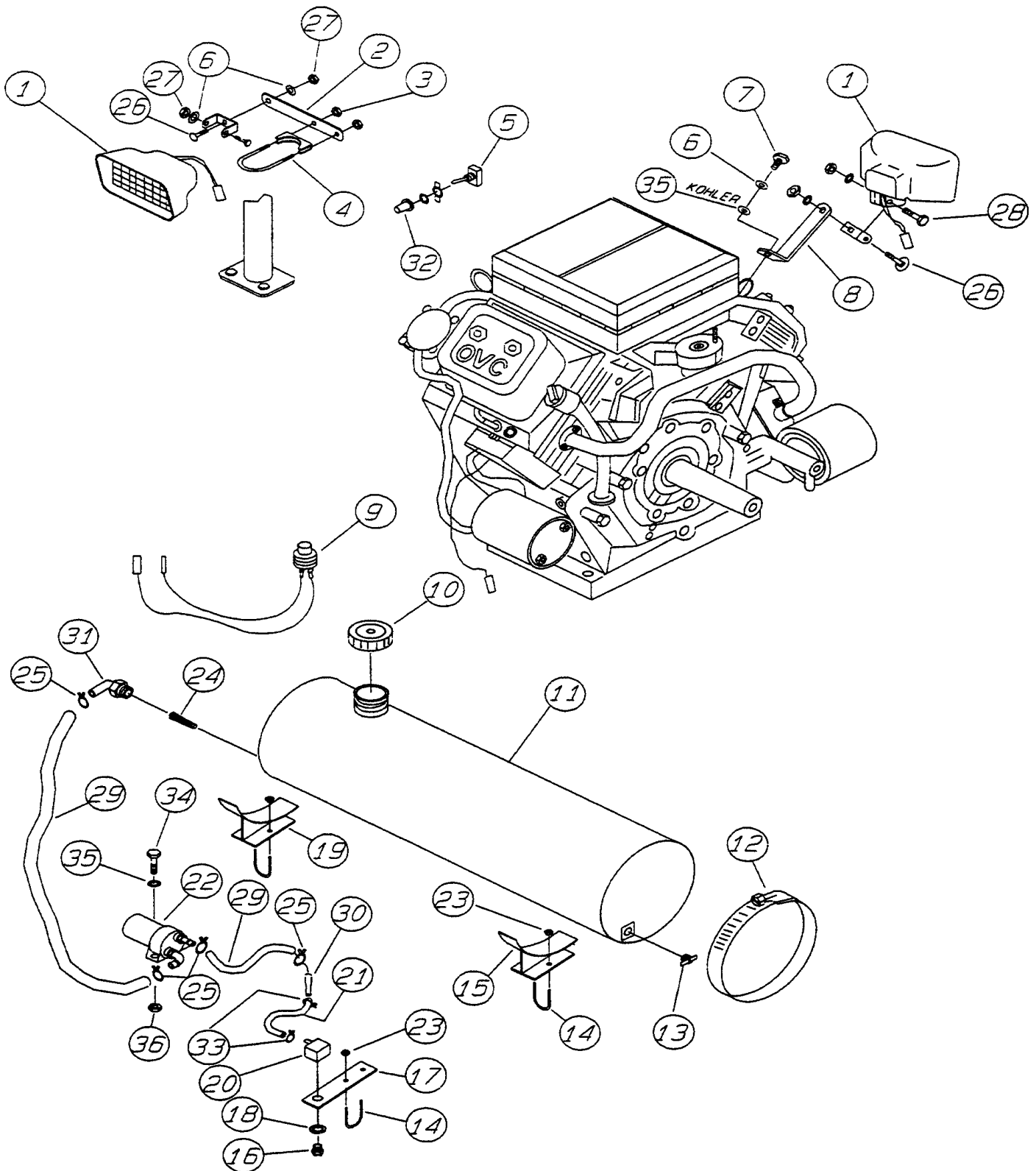
# HRT RIDE-ON POWER TROWEL — SEAT FRAME ASSY.

SEAT FRAMEASSY.

<u>NO.</u>	<u>PART NO.</u>	<u>PART NAME</u>	<u>QTY.</u>	<u>REMARKS</u>
1	2351	SEAT	1	
2	2409	SEAT MOUNTING PLATE	1	
3	0161C	LOCK WASHER 5/16"	4	
4	0655	HHCS 5/16- 18 X 3/4"	4	
5	0183	COTTER PIN	2	
6	8081	CLEVIS PIN	2	
7	2831	SEAT FRAME .....	1	ONAN
7	10395	SEAT FRAME .....	1	KOHLER
8	8156	HHCS 3/8- 16 X 2.1/2"	1	
9	4001	FLAT WASHER	1	
10	10306	HHCS 1/2- 13 X 4.1/2" .....	4	ONAN
10	2549	HHCS 1/2- 13 X 3"	4	
11	2585	COIL SPRING	1	
12	2584	KILL SWITCH	1	
13	10133	LOCK NUT 3/8- 16	1	
14	2906	PANEL NUT 3/8- 32	1	
15	10284	CLIP- ON LOCK NUT 10- 32 .....	2	KOHLER
16	10176	LOCK NUT 1/2- 13	4	
17	2833	SWITCH ADAPTER .....	1	ONAN
18	2893	SPACER .....	4	ONAN

# HRT RIDE-ON POWER TROWEL — LIGHTS & RETARDANT SPRAY ASSY.

LIGHTS & RETARDANT SPRAY OPTIONS ASSY.



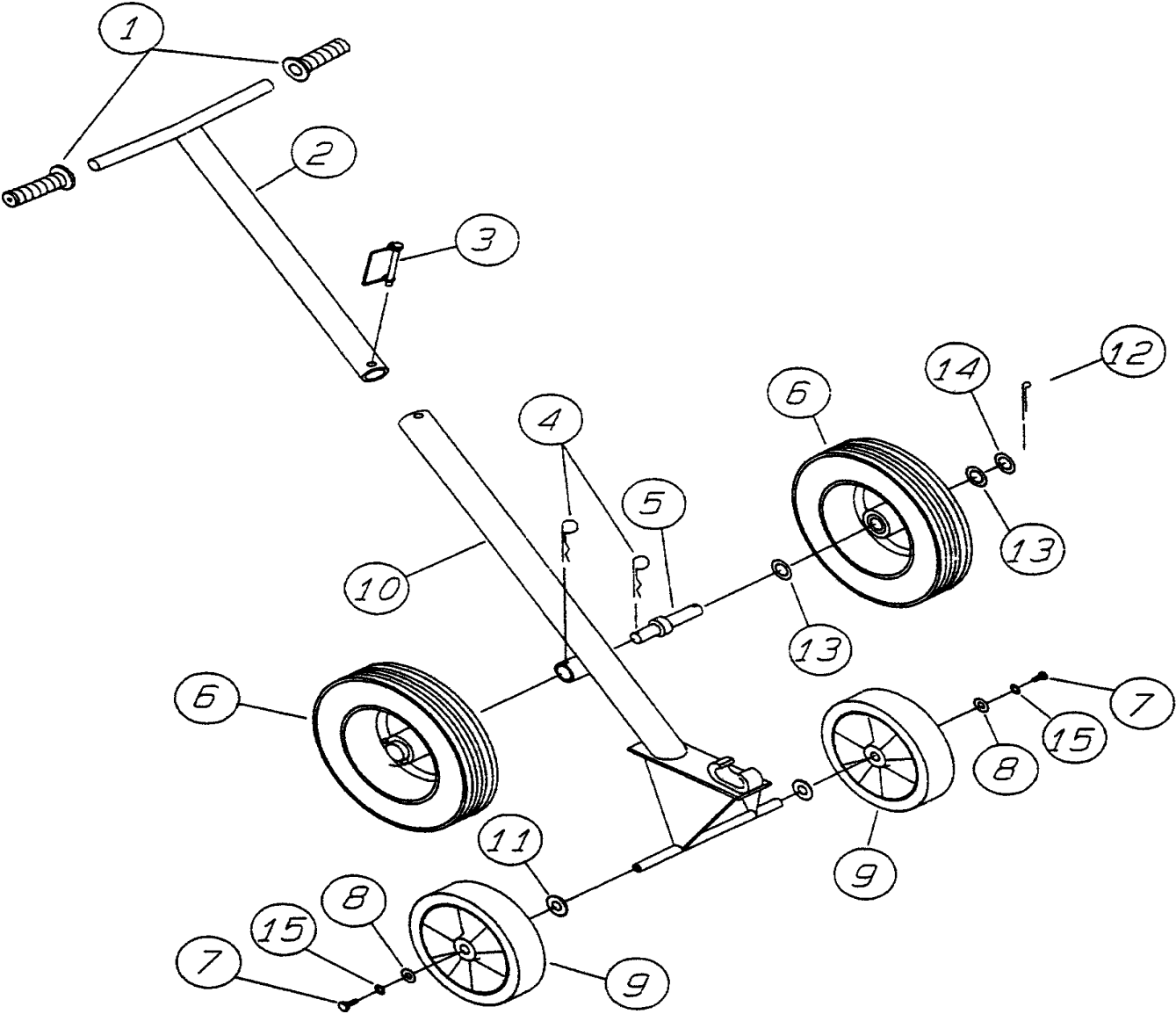
# HRT RIDE-ON POWER TROWEL — LIGHTS & RETARDANT SPRAY ASSY.

## LIGHTS & RETARDANT SPRAY OPTIONS ASSY.

<u>NO.</u>	<u>PART NO.</u>	<u>PART NAME</u>	<u>QTY.</u>	<u>REMARKS</u>
1	2896	LIGHT AND MOUNTING HARDWARE	3	
2	2531	FRONT MOUNTING BRACKET	2	
3	5283	LOCK NUT 5/16- 18	8	
4	2534	CLAMP ASM.	2	
5	4682	SWITCH	1	
6	0161C	LOCK WASHER 5/16" .....	7 .....	ONAN
6	0181B	LOCK WASHER 1/4" .....	1 .....	KOHLER
7	2299	HHCSM8- 1.25 X 15MM .....	1 .....	ONAN
7	10485	HHCS M6- 1 X 40MM .....	1 .....	KOHLER
8	2430	REAR MOUNTING BRACKET	1	
9	2765	RETARDANT SPRAY BUTTON	1	
10	2108	TANK CAP	1	
11	2916	RETARDANT TANK	1	
12	2398	CLAMP	2	
13	2478	DRAIN COCK	1	
14	2399	U- BOLT	2	
15	2887	RIGHT MOUNTING BRACKET	1	
16	392292	SPRAY NOZZLE	1	
17	2873	MOUNTING BRACKET	1	
18	2898	RUBBER WASHER	1	
19	2886	LEFT MOUNTING BRACKET	1	
20	2912	90 DEGREE FITTING	1	
21	2914	HOSE	1	
22	10043	PUMP ASM.	1	
23	2656	LOCK NUT 5/16- 24	6	
24	2926	STRAINER	1	
25	2918	HOSE CLAMP	4	
26	0655	HHCS 5/16- 18 X 3/4"	3	
27	0161D	HEX NUT 5/16- 18	6	
28	0300A	HHCS 5/16- 18 X 2"	3	
29	2913	LOWER HOSE	1	
30	10022	REDUCER	1	
31	2925	90 DEGREE ELBOW	1	
32	8381	BOOT	1	
33	2930	HOSE CLAMP	2	
34	0131A	HHCS 1/4- 20 X 3/4"	2	
35	0948	FLAT WASHER 1/4"	2	
36	10024	LOCK NUT 1/4- 20	2	

# HRT RIDE-ON POWER TROWEL — E-Z MOVER & LIFT HANDLE ASSY.

E-Z MOVER & LIFT HANDLE ASSY.



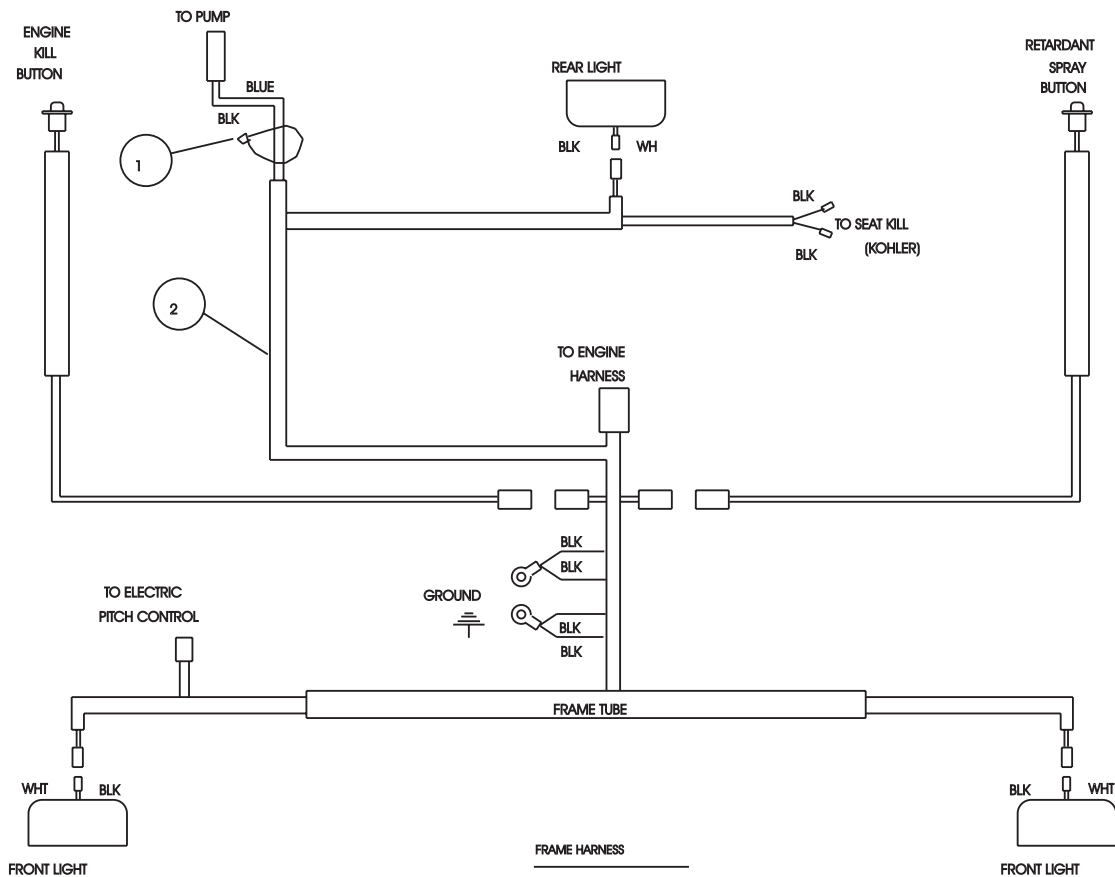
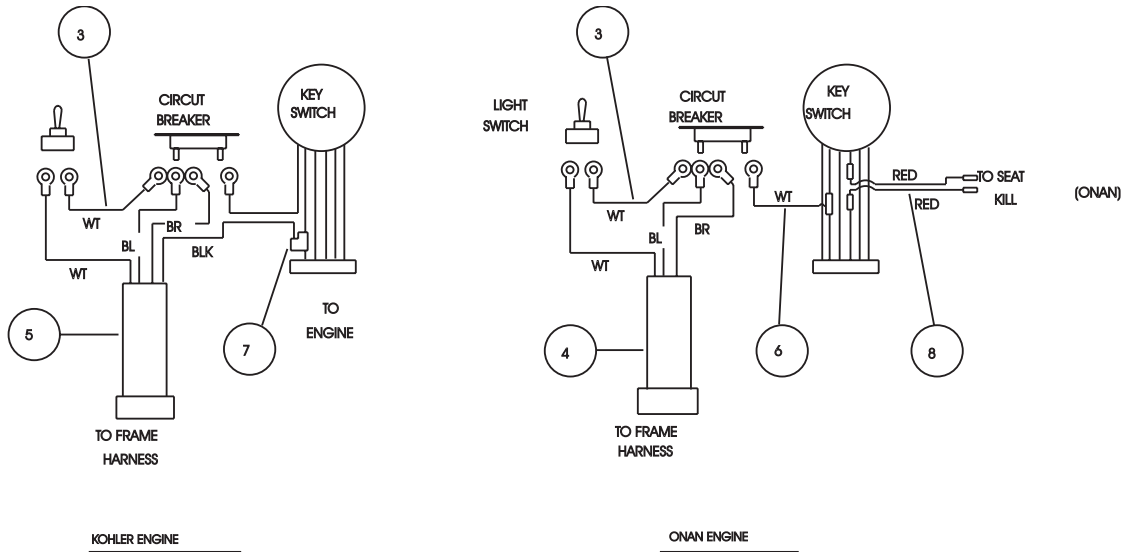
# HRT RIDE-ON POWER TROWEL — E-Z MOVER & LIFT HANDLE ASSY.

## E-Z MOVER & LIFT HANDLE ASSY.

<u>NO.</u>	<u>PART NO.</u>	<u>PART NAME</u>	<u>QTY.</u>	<u>REMARKS</u>
1	0189	HAND GRIP	2	
2	2336	E- Z MOVER HANDLE	1	
3	1869	SNAP PIN	1	
4	7170	CLIP	2	
5	10444	DOLLY AXLE	2	
6	10440	WHEEL & TIRE	2	
7	0655	HHCS 5/16- 18 X 3/4"	2	
8	0300B	FLAT WASHER 5/16"	2	
9	2364	WHEEL	2	
10	10445	E- Z MOVER FRAME	1	
11	4684	FLAT WASHER 5/8"	2	
12	0183	COTTER PIN	2	
13	10446	FLAT WASHER 3/4"	4	
14	8151	FLAT WASHER 3/4" SAE	2	
15	0161C	LOCK WASHER 5/16"	2	
	EMR- 1	E- Z MOVER ASM.		

# HRT RIDE-ON POWER TROWEL — WIRING DIAGRAM ASSY.

## WIRING DIAGRAM ASSY.



# HRT RIDE-ON POWER TROWEL — WIRING DIAGRAM ASSY.

## WIRING DIAGRAM ASSY.

<u>NO.</u>	<u>PART NO.</u>	<u>PART NAME</u>	<u>QTY.</u>	<u>REMARKS</u>
1	1662	WIRE TIES	14	
2	2566	WIRING HARNESS ASM. ....	1	TO PJ29574
2	2775	WIRING HARNESS ASM. ....	1	FROM PJ29575
3	2769	LIGHT WIRE	1	
4	2919	ENGINE HARNESS .....	1	ONAN
5	2945	ENGINE HARNESS .....	1	KOHLER
6	2770	POWER WIRE .....	1	ONAN
7	1475	WIRE SPLICE .....	1	ONAN
8	2767	SEAT KILL WIRE .....	1	ONAN