



PARTS LIST FOR
AIR COMPRESSORS
AM1-PR07_PK07-08M
AM1-PR07-20M
AM1-PH65-08M
AM1-PH65-20M

ENGINE OIL GRADE:	SAE10W-30
ENGINE OIL CAPACITY	
HONDA/SUBARU:	20 oz./0.591 L
KOHLER:	19.2 oz./0.568 L
MAXIMUM PRESSURE:	125 PSI
COMPRESSOR OIL GRADE:	SAE 30W NON-DETERGENT
COMPRESSOR OIL CAPACITY:	9.5 oz./0.28 L

This Parts Listing has been compiled for your benefit. You can be assured your Mi-T-M Gasoline Air Compressor was constructed and designed with quality and performance in mind. Each component has been rigorously tested to insure the highest level of acceptance.

The contents of this Parts Listing are based on the latest product information available at the time of publication. Mi-T-M reserves the right to make changes in price, color, materials, equipment, specifications or models at any time without notice.

WARNING

THIS IS A PROFESSIONAL GASOLINE AIR COMPRESSOR. CAUTION SHOULD BE OBSERVED WHEN USING OR REPAIRING THIS UNIT! READ AND FOLLOW THE SAFETY WARNINGS LISTED BELOW BEFORE ATTEMPTING ANY REPAIRS ON THIS GASOLINE AIR COMPRESSOR!

SAFETY WARNINGS

1. NEVER alter or modify the equipment. Be sure any accessory items and system components being used will withstand the pressure developed. Serious injury may occur from an air compressor malfunction or exploding accessories if incorrect system components, attachments or accessories are used. NEVER exceed manufactures maximum allowable pressure rating of attachments. Use only genuine Mi-T-M parts for repair of your air compressor. Failure to do so can cause hazardous operating conditions and will VOID warranty.
2. NEVER make adjustments on machinery without first removing the ignition cable from the engine spark plug. Turning over the machinery by hand during adjustment or cleaning might start the engine, causing serious injury to the operator.
3. Know how to stop and bleed pressures quickly. Be thoroughly familiar with controls. Do not operate without protective covers/guards.
4. Before servicing the unit, turn unit off, relieve the pressure and allow the unit to cool down. Service in a clean, dry, flat area. Block the wheels to prevent the unit from moving. Be especially careful to properly dispose of any flammable materials.
5. After testing the machine, DO NOT leave the pressurized unit unattended. Shut off the unit and pressure before leaving.

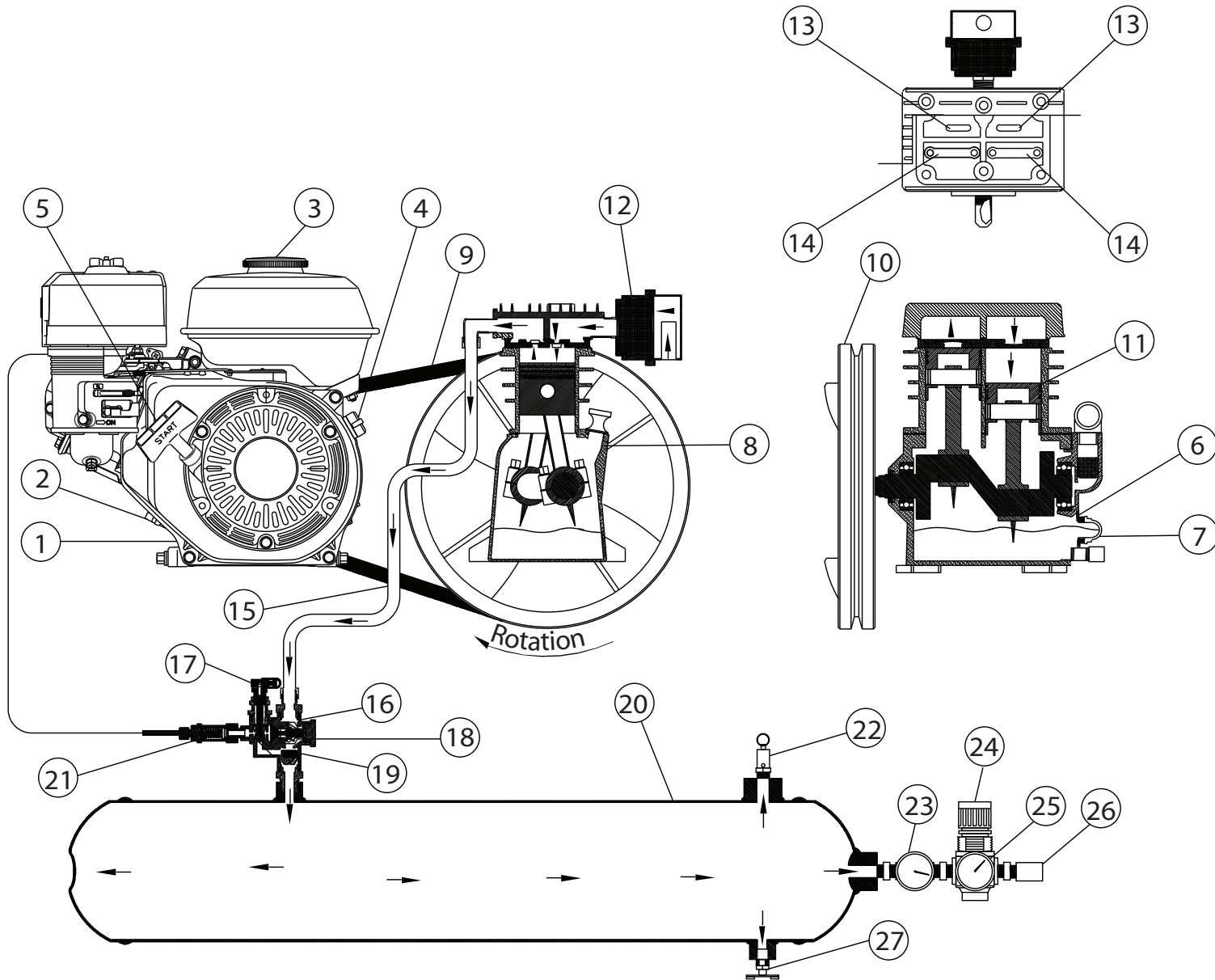
Table of Contents

SPECIFICATIONS	3
FLOW CHART	4
GENERAL THEORY OF OPERATION	5
FRAME ASSEMBLY FOR AM1-PH65-08M	6
FRAME ASSEMBLY FOR AM1-PH65-20M	8
FRAME ASSEMBLY FOR AM1-PR07_PK07-08M	10
FRAME ASSEMBLY FOR AM1-PR07-20M	12
SINGLE STAGE COMPRESSOR (3-0303)	14
SINGLE STAGE AIR THROTTLE ASSEMBLY	16

SPECIFICATIONS

MODEL NUMBER	AM1-(PH65, PR07)-08M	AM1-(PH65, PR07)-20M	AM1-PK07-08M
Engine:	Honda / Subaru		Kohler
Model	GX200 / EX21		CH270
Engine Type	4 Stroke, Overhead Valve, Single Cylinder		
Oil Type	SAE 10W 30		
Oil Capacity (oz./liters)	20 oz. / 0.591 L	19.2 oz. / 0.568 L	
Low Oil Protection	Oil Alert™	Oil Sentry™	
Fuel Type	Unleaded Gasoline 86 Octane Minimum		
Fuel Capacity (gallon/liters)	.95 / 3.6	1.06 / 4.0	
Starting	Recoil		
Engine RPM	3300		
Idle RPM	2200-2400		
Compressor Pump:			
Number of Cylinders	2		
Compression Stages	1		
Bore/Stroke	2.99"x 1.89"		
RPM	1320		
Flywheel	300 mm (11.8")		
Lubrication	Splash		
Oil Capacity	9.5 oz./280 ml		
Oil Type	30 W Non Detergent		
Crankcase	Cast Iron		
Bearings	Ball		
Cylinder	Cast Iron		
Valves	Reed-Single		
Head	Cast Iron		
Filter	Canister		
Pilot Valve Setting:			
Cut-out	125 PSI		
Cut-in	95 PSI		
Air Tank:			
Capacity	8 Gallons	20 Gallons	8 Gallons
Performance:			
CFM @ 40 PSI	16.8		
CFM @ 100 PSI	13.1		
Maximum Pressure	125 PSI		
Pump-up Time: 0-125 PSI	36 seconds	100 seconds	36 seconds
Recovery Time: 95-125 PSI	7.5 seconds	22 seconds	7.5 seconds
Weight:			
Net	170 lbs	177 lbs	170 lbs
Shipping	190 lbs	252 lbs	190 lbs
Dimensions:			
Basic L x W x H	44.5" x 18.5" x 26"	37" x 23.5" x 33"	44.5" x 18.5" x 26"
Shipping L x W x H	45" x 19" x 32"	46.5" x 31.5" x 48.5"	45" x 19" x 32"

FLOW CHART

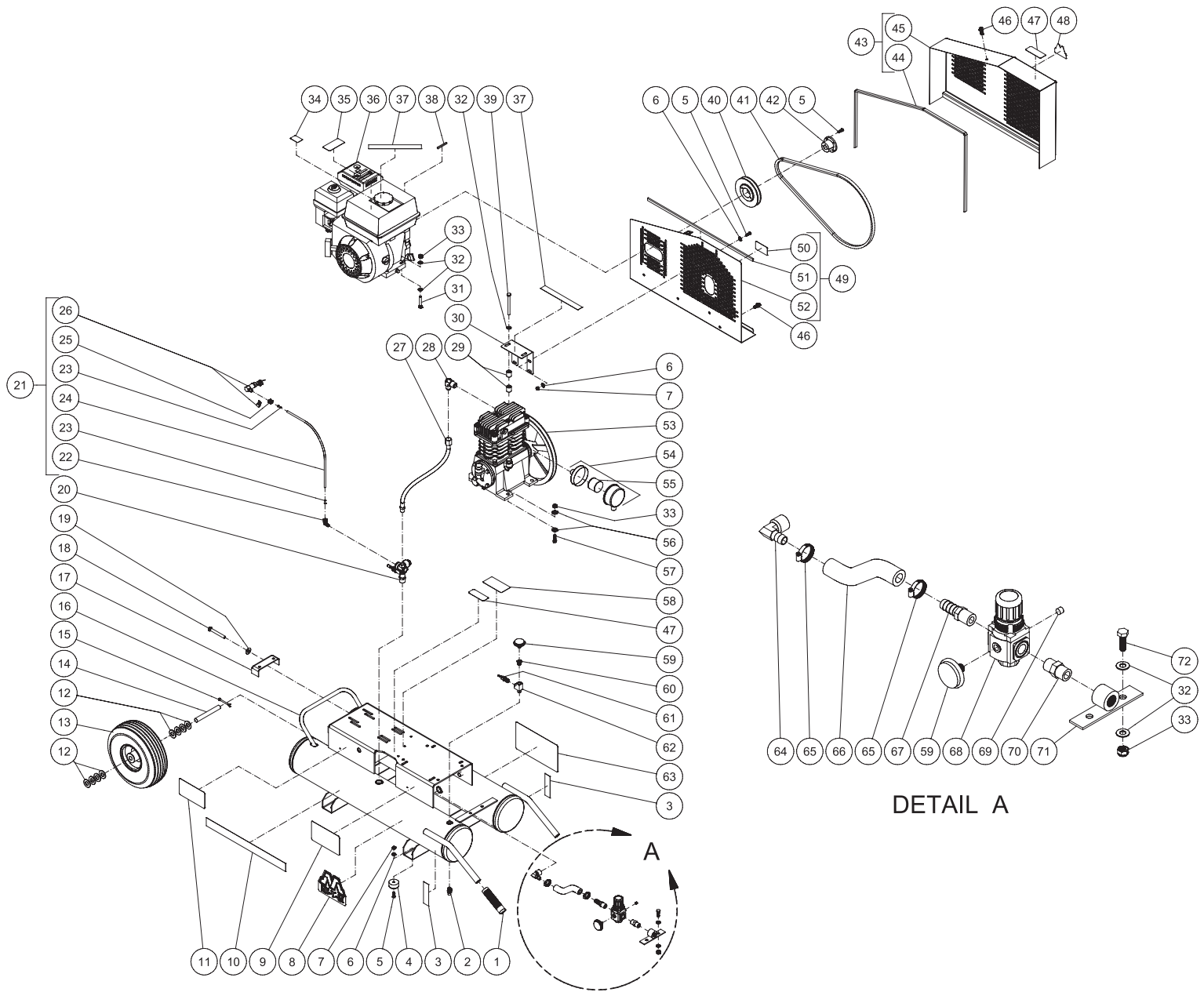


OMAC0064A-060399-RD

GENERAL THEORY OF OPERATION

1. The **ENGINE (1)** supplies power to the air compressor.
 - a. The **ENGINE (1)** is lubricated by oil. The oil level should be checked before each use by removing the **ENGINE OIL DIPSTICK (2)**.
 - b. The **ENGINE (1)** runs on gasoline. The **FUEL TANK (3)** level should be checked before each use.
 - c. The **ENGINE ON/OFF SWITCH (4)** and **STARTER ROPE (5)** are used to start the engine.
 - d. Refer to engine owner's manual for appropriate starting procedures and requirements of the **ENGINE (1)**.
2. The **COMPRESSOR PUMP (6)** is lubricated by oil. The oil level should be checked before each use by viewing the **COMPRESSOR PUMP OIL SIGHTGLASS (7)**. If the oil level is below the half way mark on this sight glass, add SAE-30W non-detergent oil to the **COMPRESSOR PUMP OIL FILL PORT (8)**.
3. When the unit is operating, the **V-BELT (9)** turns the **COMPRESSOR PUMP FLYWHEEL (10)** which rotates the crankshaft and moves the pistons.
4. As the **PISTON (11)** moves down, air is drawn in through the **INLET AIR FILTER (12)** and then through the **INLET REED VALVE (13)** and into the piston chamber. At the same time, the **OUTLET REED VALVE (14)** is closed. This allows air to fill the piston chamber.
5. As the **PISTON (11)** moves upward, the **INLET REED VALVE (13)** closes. The **OUTLET REED VALVE (14)** opens allowing the compressed air to flow into the **PUMP DISCHARGE LINE (15)**.
6. The compressed air then enters the **PILOT CONTROL VALVE (16)** which has a **TOGGLE KNOB (17)** with two positions.
 - a. **Easy Start Position:** When the **TOGGLE KNOB (17)** is in the *open* position (*vertical*) air moves out the **PILOT VALVE MUFFLER (18)** allowing the **ENGINE (1)** to start under no-load conditions .
 - b. **Constant Run Position:** When the **TOGGLE KNOB (17)** is in the *closed* position (*horizontal*) the compressed air opens the **CHECK VALVE (19)** and moves into the **AIR TANK (20)**. When the pressure in the **AIR TANK (20)** reaches the maximum pressure setting of the **PILOT CONTROL VALVE (16)**, the excess air exits the **PILOT VALVE MUFFLER (18)** and the **CHECK VALVE (19)** will close. At the same time the **THROTTLE CONTROL (21)** idles the **ENGINE (1)** down.
7. The **SAFETY RELIEF VALVE (22)** protects the system from any overpressure conditions.
8. The **TANK PRESSURE GAUGE (23)** indicates tank pressure. The **AIR PRESSURE REGULATOR (24)** can be adjusted to the desired operating pressure which is indicated on the **OUTLET PRESSURE GAUGE (25)**. The air exits through the **OUTLET FITTING (26)**.
9. The **ENGINE ON/OFF SWITCH (4)** stops the **ENGINE (1)** when moved to the "OFF" position.
10. When the **ENGINE (1)** is off, compressed air should be released from the **AIR TANK (20)** by opening the attached air tool or by pulling on the **SAFETY RELIEF VALVE (22)**. When the **TANK PRESSURE GAUGE (23)** registers less than 10 PSI, drain the condensation from the **AIR TANK (20)** by opening the **TANK DRAIN (27)**.

FRAME ASSEMBLY FOR AM1-PH65-08M

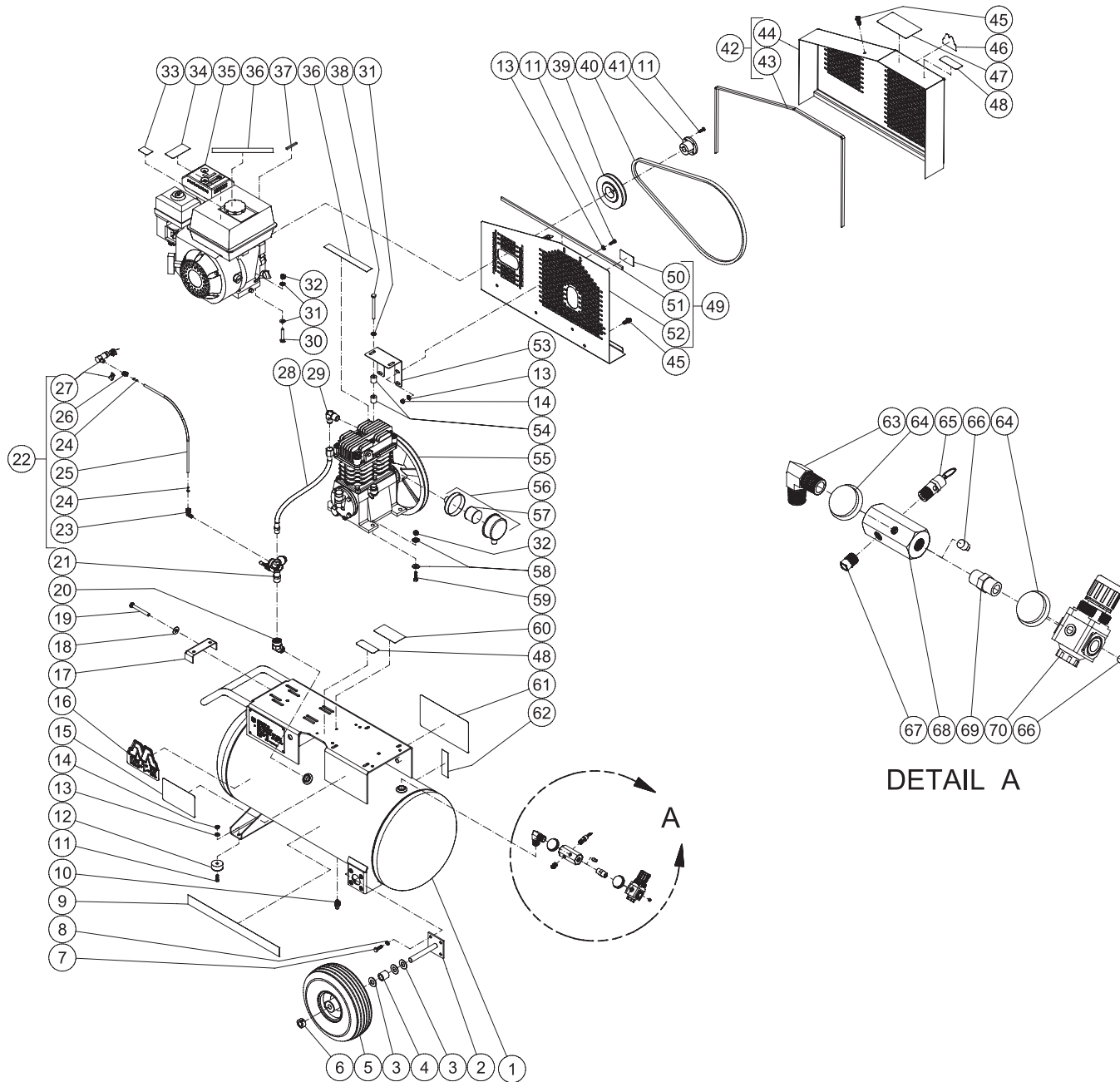


AM1-PH65-08M-031212-MLK

AM1-PH65-08M

ITEM	DESCRIPTION	Mi-T-M #	QTY	ITEM	DESCRIPTION	Mi-T-M #	QTY
1	HANDLE GRIP	7-0143	2	37	DECAL - CHECK OIL (SEE 71-2005)	N/A	2
2	PETCOCK	23-0312	2	38	KEY	43-0073	1
3	DECAL - TANK DRAIN (SEE 71-2005)	N/A	2	39	BOLT	27-8044	2
4	ISOLATOR	14-0069	4	40	SHEAVE	10-0105	1
5	BOLT	27-0015	8	41	BELT	11-0040	1
6	WASHER	28-0002	8	42	BUSHING	9-0009	1
7	LOCKNUT	30-0155	6	43	BELTGUARD COVER ASSEMBLY *(INC. 44-45)	854-0095	1
8	DECAL - Mi-T-M	34-2169	1	44	EDGING *(FOUR FEET REQUIRED)	33-0020	1
9	DECAL - MAINTENANCE INSTRUCTIONS (SEE 71-2005)	N/A	1	45	BELTGUARD COVER ASSEMBLY	N/A	1
10	DECAL - STRIPE	34-2188	1	46	BOLT	27-9524	4
11	DECAL - OPERATING INSTRUCTIONS (SEE 71-2005)	N/A	1	47	DECAL - Mi-T-M	34-2167	1
12	WASHER	28-0008	8	48	DECAL - RISK OF BURNS (SEE 71-2005)	N/A	2
13	WHEEL	14-0130	1	49	BELTGUARD BACK ASSEMBLY (INC. 50-52)	854-0094	1
14	AXLE	20-0420	1	50	DECAL - BELTGUARD IN PLACE (SEE 71-2005)	N/A	1
15	COTTER PIN	43-0092	2	51	EDGING *(THREE FEET REQUIRED)	33-0020	1
16	AIR TANK ASSEMBLY	N/A	1	52	BELTGUARD BACK ASSEMBLY	N/A	1
17	TIGHTENER BRACKET	20-0614A01	1	53	PUMP	3-0303	1
18	BOLT	27-0576	1	54	AIR FILTER ASSEMBLY	19-0253	1
19	WASHER	28-0023	1	55	FILTER	19-0252	1
20	PILOT VALVE	22-0470	1	56	WASHER	28-0022	8
21	AIR THROTTLE CONTROL ASSEMBLY	854-0064	1	57	BOLT	27-0068	4
22	ADAPTER	23-0328	1	58	DECAL- SILVER STICKER	N/A	1
23	TUBE SUPPORT	23-0486	2	59	PRESSURE GAUGE	22-0257	2
24	HOSE *(TWO FEET REQUIRED)	15-0238	1	60	REDUCER	23-0111	1
25	NUT	23-0315	1	61	SAFETY VALVE	22-0228	1
26	AIR THROTTLE CONTROL ASSEMBLY	N/A	1	62	TEE	23-0127	1
27	HOSE	15-0236	1	63	DECAL - CAUTION/WARNING/DANGER (SEE 71-2005)	N/A	1
28	ELBOW	24-0074	1	64	HOSE BARB	23-0418	1
29	SPACER	33-0358	4	65	HOSE CLAMP	42-0011	2
30	BELTGUARD BRACKET	20-1028A01	1	66	HOSE *(ONE FOOT REQUIRED REQUIRED)	15-0007	1
31	BOLT	27-0070	4	67	HOSE BARB	23-0105	1
32	WASHER	28-0003	14	68	REGULATOR	22-0231	1
33	LOCKNUT	30-0157	10	69	PLUG	24-0082	1
34	DECAL - ENGINE FUEL (SEE 71-2005)	N/A	1	70	NIPPLE	24-0010	1
35	DECAL - MUFFLER HOT (SEE 71-2005)	N/A	1	71	REGULATOR MOUNTING BRACKET	20-0421A01	1
36	ENGINE - HONDA 6.5 HP	1-0088	1	72	BOLT	27-0067	2
				-	DECAL SET	71-2005	1

FRAME ASSEMBLY FOR AM1-PH65-20M

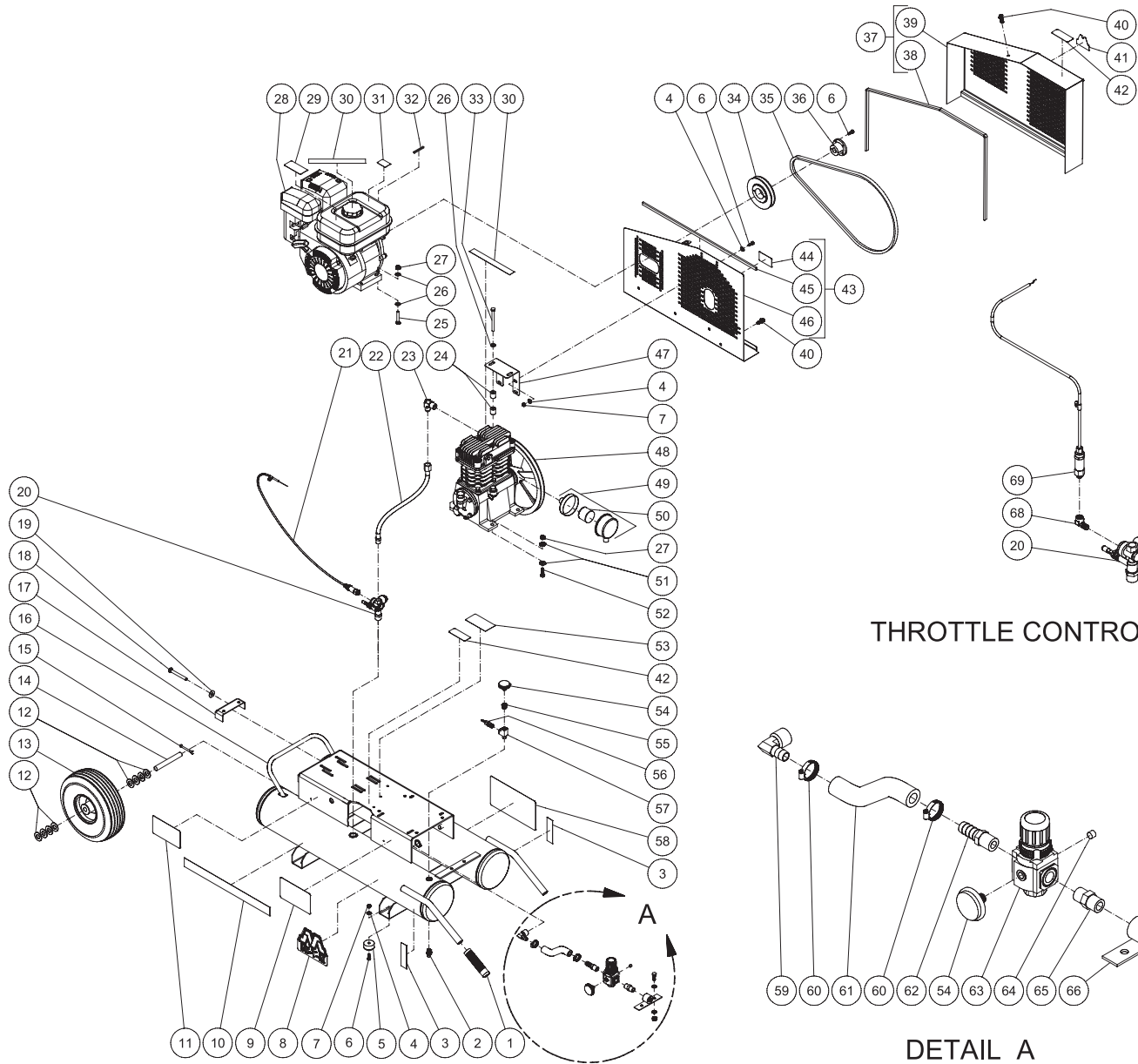


AM1-PH65-20M-031212-MLK

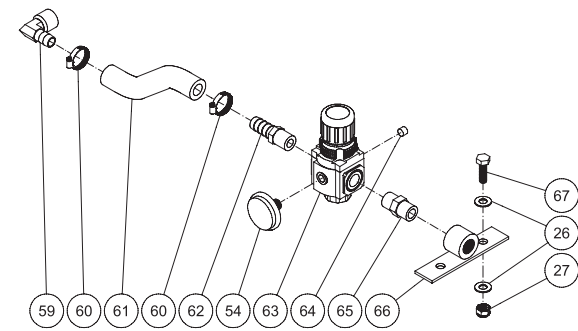
AM1-PH65-20M

ITEM	DESCRIPTION	Mi-T-M #	QTY	ITEM	DESCRIPTION	Mi-T-M #	QTY
1	AIR TANK ASSEMBLY	12-0190A01	1	37	KEY	43-0073	1
2	AXLE	20-0670A01	2	38	BOLT	27-8044	2
3	WASHER	28-0008	6	39	SHEAVE	10-0105	1
4	SPACER	62-0188	2	40	BELT	11-0040	1
5	WHEEL	14-0130	2	41	BUSHING	9-0009	1
6	COLLAR	33-0351	2	42	BELTGUARD COVER ASSEMBLY *(INC. 43-44)	854-0095	1
7	BOLT	27-0067	8	43	EDGING *(FOUR FEET REQUIRED)	33-0020	1
8	LOCKWASHER	29-0007	8	44	BELTGUARD COVER ASSEMBLY	N/A	1
9	DECAL - STRIPE	34-2188	1	45	BOLT	27-9524	4
10	PETCOCK	23-0312	1	46	DECAL - Mi-T-M	34-2167	1
11	BOLT	27-0015	6	47	DECAL - OPERATING INSTRUCTIONS (SEE 71-2005)	N/A	1
12	ISOLATOR	14-0069	2	48	DECAL - RISK OF BURNS (SEE 71-2005)	N/A	2
13	WASHER	28-0002	6	49	BELTGUARD BACK ASSEMBLY (INC. 50-52)	854-0094	1
14	LOCKNUT	30-0155	4	50	DECAL - BELTGUARD IN PLACE (SEE 71-2005)	N/A	1
15	DECAL - MAINTENANCE INSTRUCTIONS (SEE 71-2005)	N/A	1	51	EDGING *(THREE FEET REQUIRED)	33-0020	1
16	DECAL - Mi-T-M	34-2169	1	52	BELTGUARD BACK ASSEMBLY	N/A	1
17	TIGHTENER BRACKET	20-0614A01	1	53	BELTGUARD BRACKET	20-1028A01	1
18	WASHER	28-0023	1	54	SPACER	33-0358	4
19	BOLT	27-0576	1	55	PUMP	3-0303	1
20	ELBOW	24-0041	1	56	AIR FILTER ASSEMBLY	19-0253	1
21	PILOT VALVE	22-0470	1	57	FILTER	19-0252	1
22	AIR THROTTLE CONTROL ASSEMBLY	854-0064	1	58	WASHER	28-0022	8
23	ADAPTER	23-0328	1	59	BOLT	27-0068	4
24	TUBE SUPPORT	23-0486	2	60	DECAL- SILVER STICKER	N/A	1
25	HOSE *(TWO FEET REQUIRED)	15-0238	1	61	DECAL - CAUTION/WARNING/DANGER (SEE 71-2005)	N/A	1
26	NUT	23-0315	1	62	DECAL - TANK DRAIN (SEE 71-2005)	N/A	1
27	AIR THROTTLE CONTROL ASSEMBLY	N/A	1	63	NIPPLE	24-0174	1
28	HOSE	15-0236	1	64	PLUG	24-0082	3
29	ELBOW	24-0074	1	65	REGULATOR	22-0231	1
30	BOLT	27-0070	4	66	PRESSURE GAUGE	22-0257	2
31	WASHER	28-0003	10	67	NIPPLE	24-0010	1
32	LOCKNUT	30-0157	8	68	MANIFOLD BLOCK	24-0264	1
33	DECAL - ENGINE FUEL (SEE 71-2005)	N/A	1	69	REDUCER	23-0111	1
34	DECAL - MUFFLER HOT (SEE 71-2005)	N/A	1	70	SAFETY VALVE	22-0228	1
35	ENGINE - HONDA 6.5 HP	1-0088	1	-	DECAL SET	71-2005	1
36	DECAL - CHECK OIL (SEE 71-2005)	N/A	2				

FRAME ASSEMBLY FOR AM1-PR07_PK07-08M



THROTTLE CONTROL FOR PK07



DETAIL A

AM1-PR07_PK07-08M-020812-MLK

FRAME ASSEMBLY

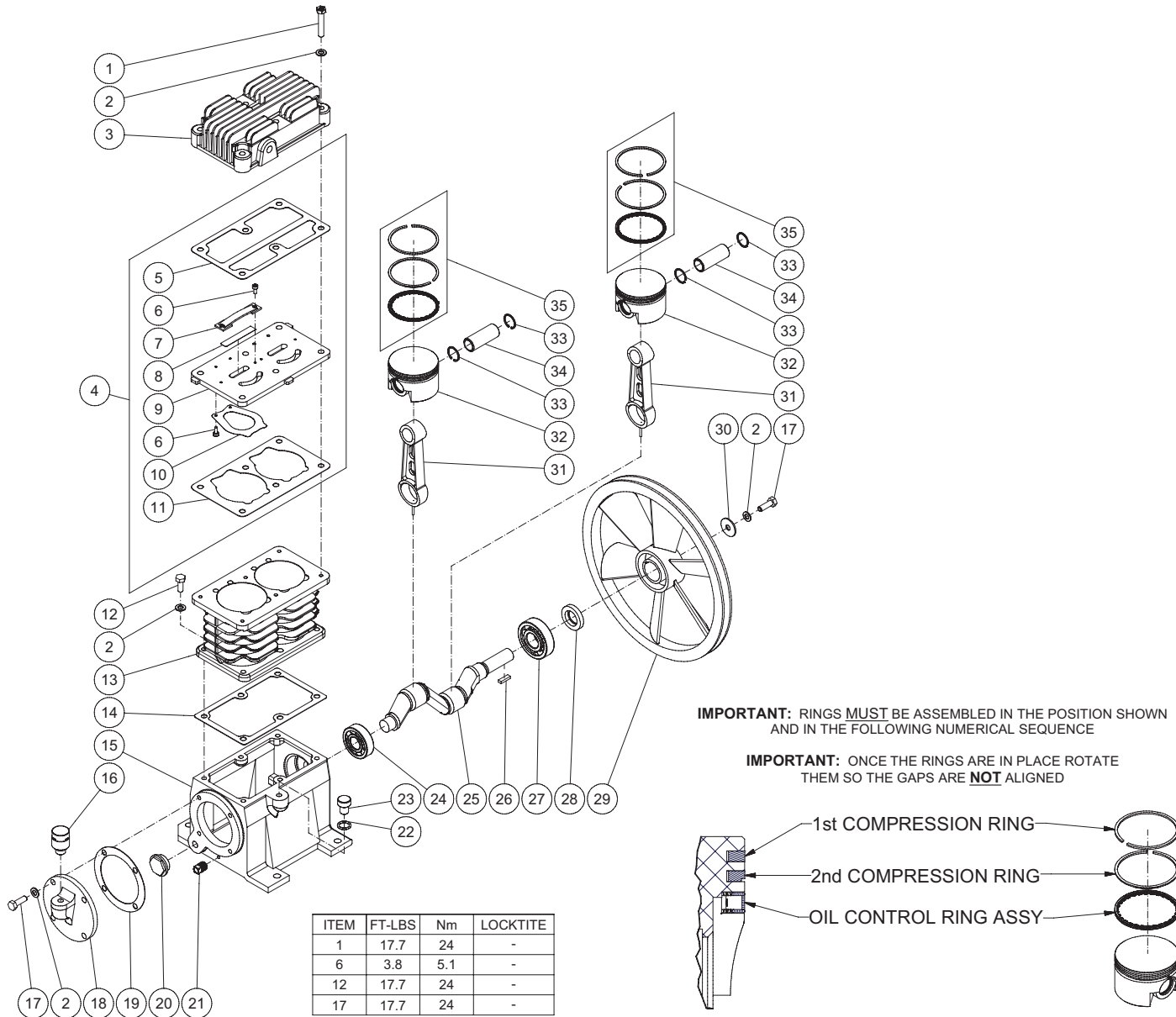
ITEM	DESCRIPTION	Mi-T-M #	QTY	ITEM	DESCRIPTION	Mi-T-M #	QTY
1	HANDLE GRIP	7-0143	2	36	BUSHING	9-0009	1
2	PETCOCK	23-0312	2	37	BELTGUARD COVER ASSEMBLY (INC. 38-39)	854-0095	1
3	DECAL - TANK DRAIN (SEE 71-2005)	N/A	2	38	EDGING *(FOUR FEET REQUIRED)	33-0020	1
4	WASHER	28-0002	8	39	BELTGUARD COVER ASSEMBLY	6-0125A01	1
5	ISOLATOR	14-0069	4	40	BOLT	27-9524	4
6	BOLT	27-0015	8	41	DECAL - Mi-T-M	34-2167	1
7	LOCKNUT	30-0155	6	42	DECAL - RISK OF BURNS (SEE 71-2005)	N/A	2
8	DECAL - Mi-T-M	34-2169	1	43	BELTGUARD BACK ASSEMBLY (INC. 44-46)	854-0094	1
9	DECAL - MAINTENANCE INSTRUCTIONS (SEE 71-2005)	N/A	1	44	DECAL - BELTGUARD IN PLACE (SEE 71-2005)	N/A	1
10	DECAL - STRIPE	34-2188	1	45	EDGING *(THREE FEET REQUIRED)	33-0020	1
11	DECAL - OPERATING INSTRUCTIONS (SEE 71-2005)	N/A	1	46	BELTGUARD BACK ASSEMBLY	6-0124A01	1
12	WASHER	28-0008	8	47	BELTGUARD BRACKET	20-1028A01	1
13	WHEEL	14-0130	1	48	PUMP	3-0303	1
14	AXLE	20-0420	1	49	AIR FILTER ASSEMBLY	19-0253	1
15	COTTER PIN	43-0092	2	50	FILTER	19-0252	1
16	AIR TANK ASSEMBLY	12-0056A01	1	51	WASHER	28-0022	8
17	TIGHTENER BRACKET	20-0614A01	1	52	BOLT	27-0068	4
18	BOLT	27-0576	1	53	DECAL - SILVER STICKER	N/A	1
19	WASHER	28-0023	1	54	PRESSURE GAUGE	22-0257	2
20	PILOT VALVE	22-0470	1	55	REDUCER	23-0111	1
21	BULLWHIP THROTTLE CONTROL (AM1-PR07)	33-0401	1	56	SAFETY VALVE	22-0228	1
22	HOSE	15-0236	1	57	TEE	23-0127	1
23	ELBOW	24-0074	1	58	DECAL - CAUTION/WARNING/DANGER (SEE 71-2005)	N/A	1
24	SPACER	33-0358	4	59	HOSE BARB	23-0418	1
25	BOLT	27-0070	4	60	HOSE CLAMP	42-0011	2
26	WASHER	28-0003	14	61	HOSE *(ONE FOOT REQUIRED)	15-0007	1
27	LOCKNUT	30-0157	10	62	HOSE BARB	23-0105	1
28	ENGINE - SUBARU (AM1-PR07)	1-0133	1	63	REGULATOR	22-0231	1
-	ENGINE - KOHLER (AM1-PK07)	1-0206	1	64	PLUG	24-0082	1
29	DECAL - MUFFLER HOT (SEE 71-2005)	N/A	1	65	NIPPLE	24-0010	1
30	DECAL - CHECK OIL (SEE 71-2005)	N/A	2	66	REGULATOR MOUNTING BRACKET	20-0421A01	1
31	DECAL - ENGINE FUEL (SEE 71-2005)	N/A	1	67	BOLT	27-0067	2
32	KEY	43-0073	1	68	ELBOW (AM1-PK07)	23-0118	1
33	BOLT	27-8043	2	69	THROTTLE CONTROL (A1M-PK07)	33-0399	1
34	SHEAVE	10-0105	1	-	DECAL SET	71-2005	1
35	BELT	11-0040	1	*MUST ORDER IN ONE FOOT LENGHTS			

FRAME ASSEMBLY

ITEM	DESCRIPTION	Mi-T-M #	QTY	ITEM	DESCRIPTION	Mi-T-M #	QTY
1	DECAL - MAINTENANCE INSTRUCTIONS (SEE 71-2005)	N/A	1	34	BOLT	27-8043	2
2	AXLE	20-0670A01	2	35	SHEAVE	10-0105	1
3	WASHER	28-0008	6	36	BELT	11-0040	1
4	SPACER	62-0188	2	37	BUSHING	9-0009	1
5	WHEEL	14-0017	2	38	BELTGUARD COVER ASSEMBLY (INC. 39-40)	854-0095	1
6	COLLAR	33-0351	2	39	EDGING *(FOUR FEET REQUIRED)	33-0020	1
7	BOLT	27-0067	8	40	BELTGUARD COVER ASSEMBLY	6-0125A01	1
8	LOCKWASHER	29-0007	8	41	BOLT	27-9524	4
9	PETCOCK	23-0312	1	42	DECAL - Mi-T-M	N/A	1
10	DECAL - 17" STRIPE	N/A	1	43	DECAL - RISK OF BURNS (SEE 71-2005)	N/A	2
11	BOLT	27-0015	6	44	DECAL - OPERATING INSTRUCTIONS (SEE 71-2005)	N/A	1
12	ISOLATOR	14-0069	2	45	BELTGUARD BACK ASSEMBLY (INC. 46-48)	854-0094	1
13	WASHER	28-0002	6	46	DECAL - BELTGUARD IN PLACE (SEE 71-2005)	N/A	1
14	LOCKNUT	30-0155	4	47	EDGING *(THREE FEET REQUIRED)	33-0020	1
15	DECAL - Mi-T-M	34-2169	1	48	BELTGUARD BACK ASSEMBLY	6-0124A01	1
16	AIR TANK ASSEMBLY	12-0190A01	1	49	BELTGUARD BRACKET	20-1028A01	1
17	TIGHTENER BRACKET	20-0614A01	1	50	PUMP	3-0303	1
18	WASHER	28-0023	1	51	AIR FILTER ASSEMBLY	19-0253	1
19	BOLT	27-0576	1	52	FILTER	19-0252	1
20	ELBOW	24-0041	1	53	WASHER	28-0022	8
21	PILOT VALVE	22-0470	1	54	BOLT	27-0068	4
22	THROTTLE CONTROL	33-0401	1	55	DECAL- SILVER STICKER	N/A	1
23	HOSE	15-0236	1	56	DECAL - CAUTION/WARNING/DANGER (SEE 71-2005)	N/A	1
24	90° ELBOW FITTING	24-0074	1	57	DECAL - TANK DRAIN (SEE 71-2005)	N/A	1
25	SPACER	33-0358	4	58	ELBOW	24-0267	1
26	BOLT	27-0070	4	59	PRESSURE GAUGE	22-0257	2
27	WASHER	28-0003	10	60	SAFETY VALVE	22-0228	1
28	LOCKNUT	30-0157	8	61	PLUG	24-0082	2
29	DECAL - CHECK OIL	N/A	2	62	PLUG	24-0009	1
30	ENGINE	1-0133	1	63	MANIFOLD	24-0266	1
31	DECAL - MUFFLER HOT (SEE 71-2005)	N/A	1	64	NIPPLE	24-0010	1
32	DECAL - ENGINE FUEL (SEE 71-2005)	N/A	1	65	REGULATOR	22-0231	1
33	KEY	43-0073	1	-	DECAL SET - COMP GAS	71-2005	1

*MUST ORDER IN ONE FOOT LENGTHS

SINGLE STAGE COMPRESSOR (3-0303)



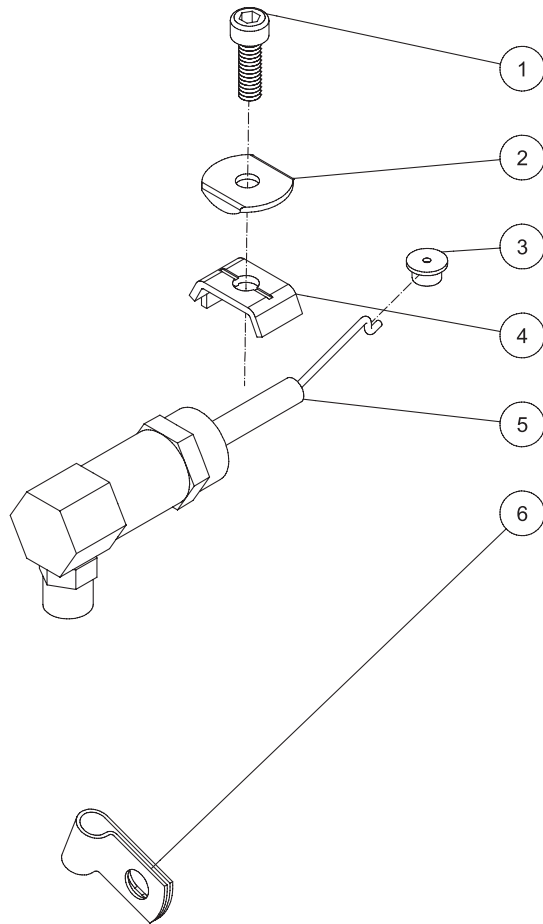
3-0303 062912-MLK

PUMP (3-0303)

REF #	DESCRIPTION	PART #	QTY	REF #	DESCRIPTION	PART #	QTY
1	Screw	27-8037	6	19	Crankcase Cover Gasket	N/A	1
2	Copper Washer	28-1060	17	20	Oil Level Sight Glass	46-1336	1
3	Cylinder Head	46-1384	1	21	Plug	24-0009	1
4	Valve Plate Kit (Inc. 5-11)	70-0517	1	22	O-Ring	25-0386	1
5	Cylinder Head Gasket	N/A	1	23	Oil Plug	46-1337	1
6	Screw	N/A	8	24	Ball Bearing	48-0086	1
7	Valve Seat	N/A	2	25	Crankshaft	46-1338	1
8	Outlet Reed Valve	N/A	2	26	Key	43-0131	1
9	Valve Plate	N/A	1	27	Ball Bearing	48-0087	1
10	Reed Valve-Inlet	N/A	2	28	Oil Seal	26-0383	1
11	Valve Plate-Cylinder Gasket	N/A	1	29	Flywheel	10-0142	1
12	Screw	27-8032	6	30	Block Washer	28-1063	1
13	Cylinder	46-1333	1	31	Connecting Rod	46-1339	2
14	Cylinder Crankcase Gasket	N/A	1	32	Piston	46-1340	2
15	Crankcase	N/A	1	33	Internal C-Clip	46-1341	4
16	Breather Assy	46-1334	1	34	Piston Wrist Pin	46-1342	2
17	Bolt	27-8033	5	35	Piston Ring Kit	70-0518	2
18	Crankcase Cover	46-1335	1	36	Kit-Pump Gaskets (Inc. 5, 11, 14, 19)	70-0519	1

SINGLE STAGE AIR THROTTLE ASSEMBLY

854-0090 033108 JJT



AIR THROTTLE ASSEMBLY			
REF. #	DESCRIPTION	PART #	QTY.
1	Bolt	N/A	1
2	Clamp	N/A	1
3	Adapter	62-0126	1
4	Engine Throttle Clip	45-0084	1
5	Air Throttle Control	33-0394	1
6	Clip	N/A	1

854-0090 033108-JJT

Manufactured by Mi-T-M
8650 Enterprise Drive, Peosta IA 52068
563-556-7484/ Fax 563-556-1235