

OPERATION AND PARTS MANUAL



GLOBUG SERIES MODEL GBC/GBCE CART TYPE LIGHTING SYSTEM

Revision #3 (10/04/19)

THIS MANUAL MUST ACCOMPANY THE EQUIPMENT AT ALL TIMES.

TABLE OF CONTENTS

GBC/GBCE Lighting System

Proposition 65 Warning	2
Table of Contents.....	3
Safety Information	5-9
Specifications	10
Dimensions.....	11
Footcandle Plot.....	12
General Information.....	13
Components	14-15
Setup	16-17
Operation.....	18-21
Maintenance.....	22-27
Wiring Diagram.....	28
Explanation of Code in Remarks Column.....	30
Suggested Spare Parts	31

Component Drawings

Nameplates and Decals	32-33
Balloon and Lamp Assembly	34-35
Mast Assembly	36-37
Base Assembly.....	38-39
Outrigger Assembly	40-41

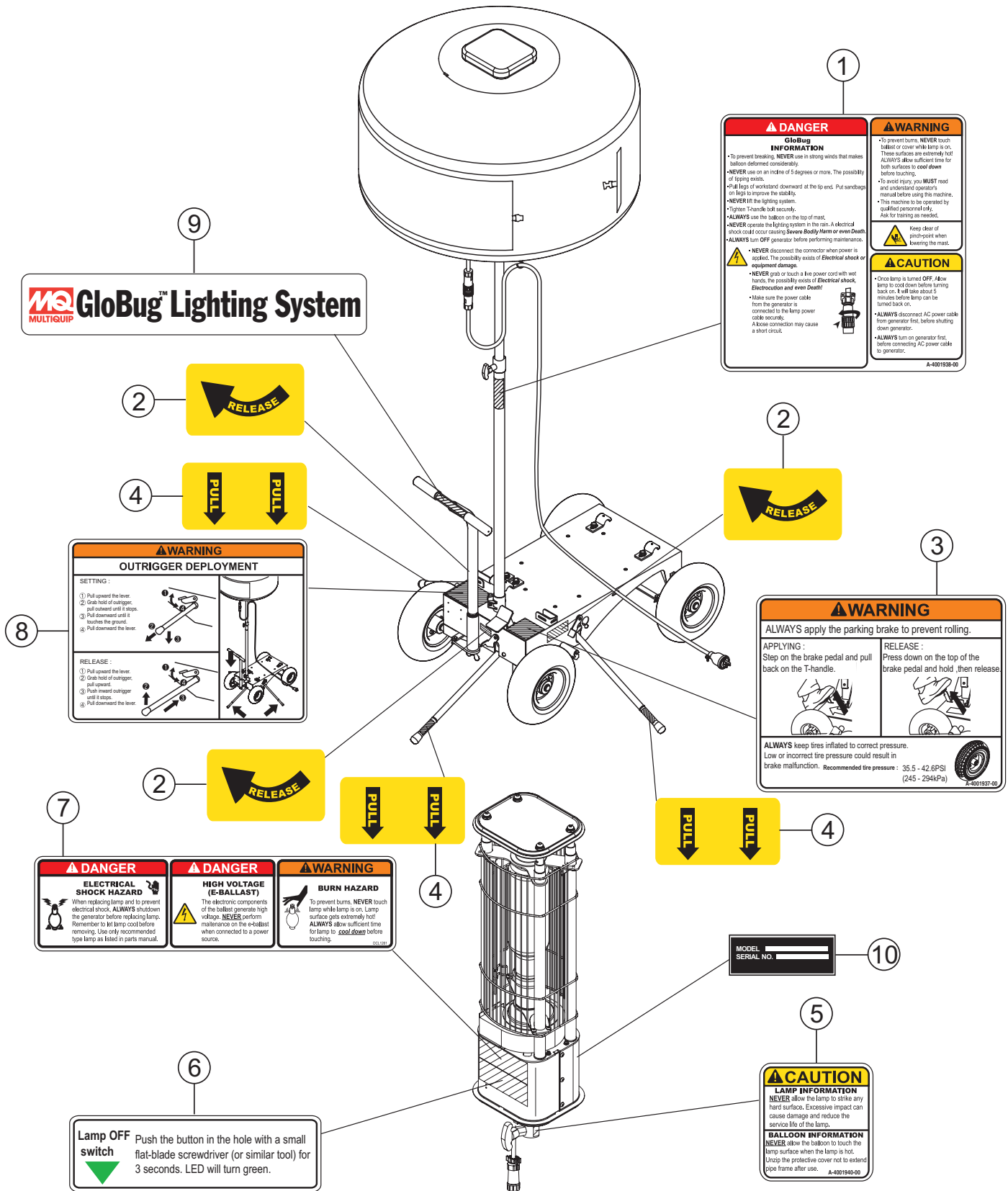
SUGGESTED SPARE PARTS

GBC/GBCE LIGHTING SYSTEM

1 to 3 units

Qty.	P/N	Description
2.....	E000080700	LAMP
2.....	A300168900	E BALLAST ASSY
2.....	GBB115DR.....	BALLOON CLOTH CP
3.....	2214500430.....	FILTER

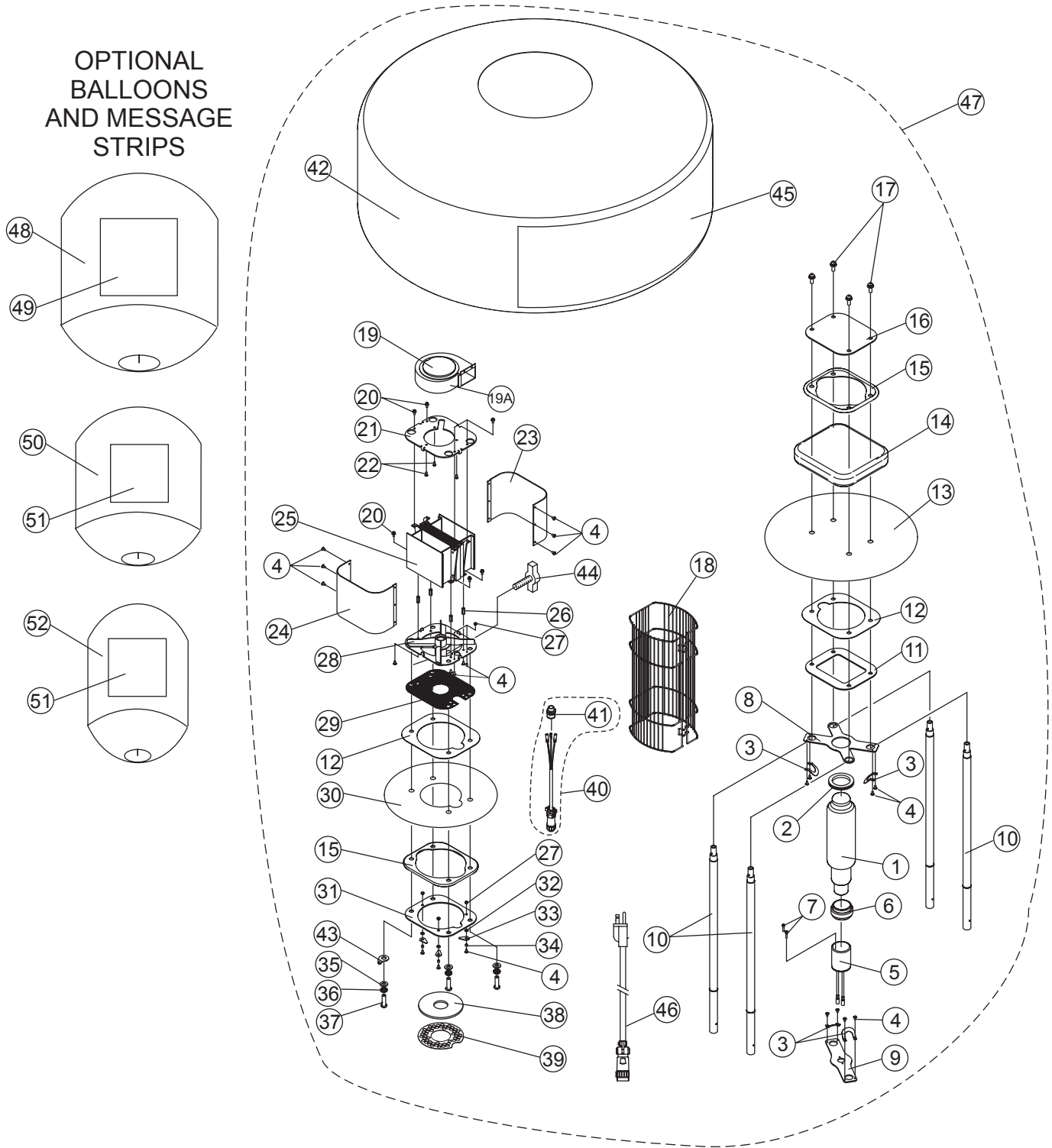
NAMEPLATES AND DECALS



NAMEPLATES AND DECALS

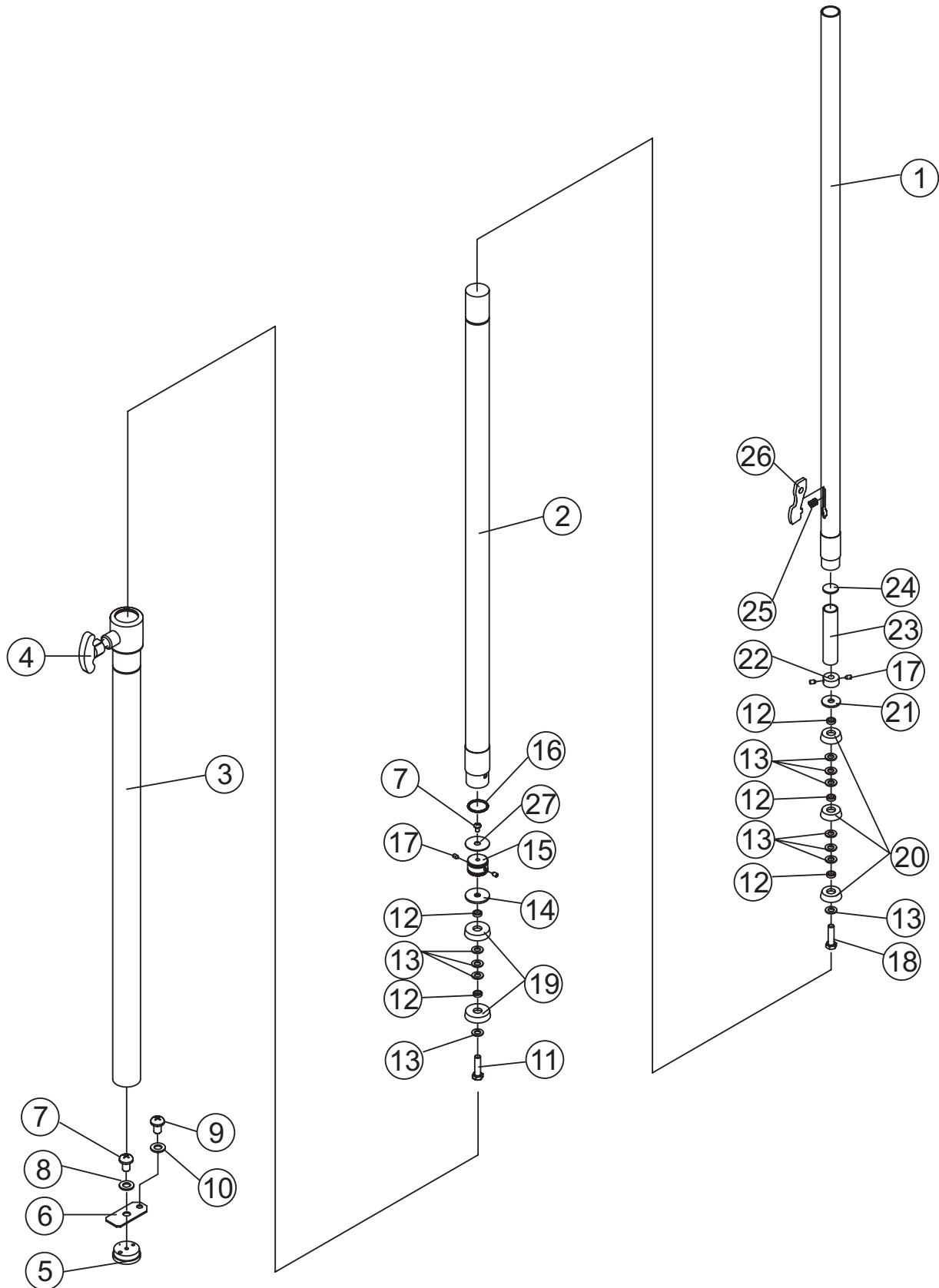
<u>NO.</u>	<u>PART NO.</u>	<u>PART NAME</u>	<u>QTY.</u>	<u>REMARKS</u>
1	A400193800	DECAL; GLOBUG INFORMATION	1	
2	A400193400	DECAL; RELEASE	3	
3	A400193700	DECAL; WARNING, PARKING BRAKE	1	
4	A400193500	DECAL; PULL	3	
5	A400194000	DECAL; CAUTION, LAMP INFORMATION	1	
6	A400193900	DECAL; LAMP OFF SWITCH	1	
7	A400166800	DECAL; ELECTRIC SHOCK, HIGH VOLTAGE, BURN HAZ....	1 DCL1261
8	A400193600	DECAL; WARNING, OUTRIGGER DEPLOYMENT	1	
9	A400193300	DECAL; GLOBUG LIGHTING SYSTEM	1	
10		NAMEPLATE.....	1 CONTACT MQ PARTS DEPT.

BALLOON AND LAMP ASSY



BALLOON AND LAMP ASSY

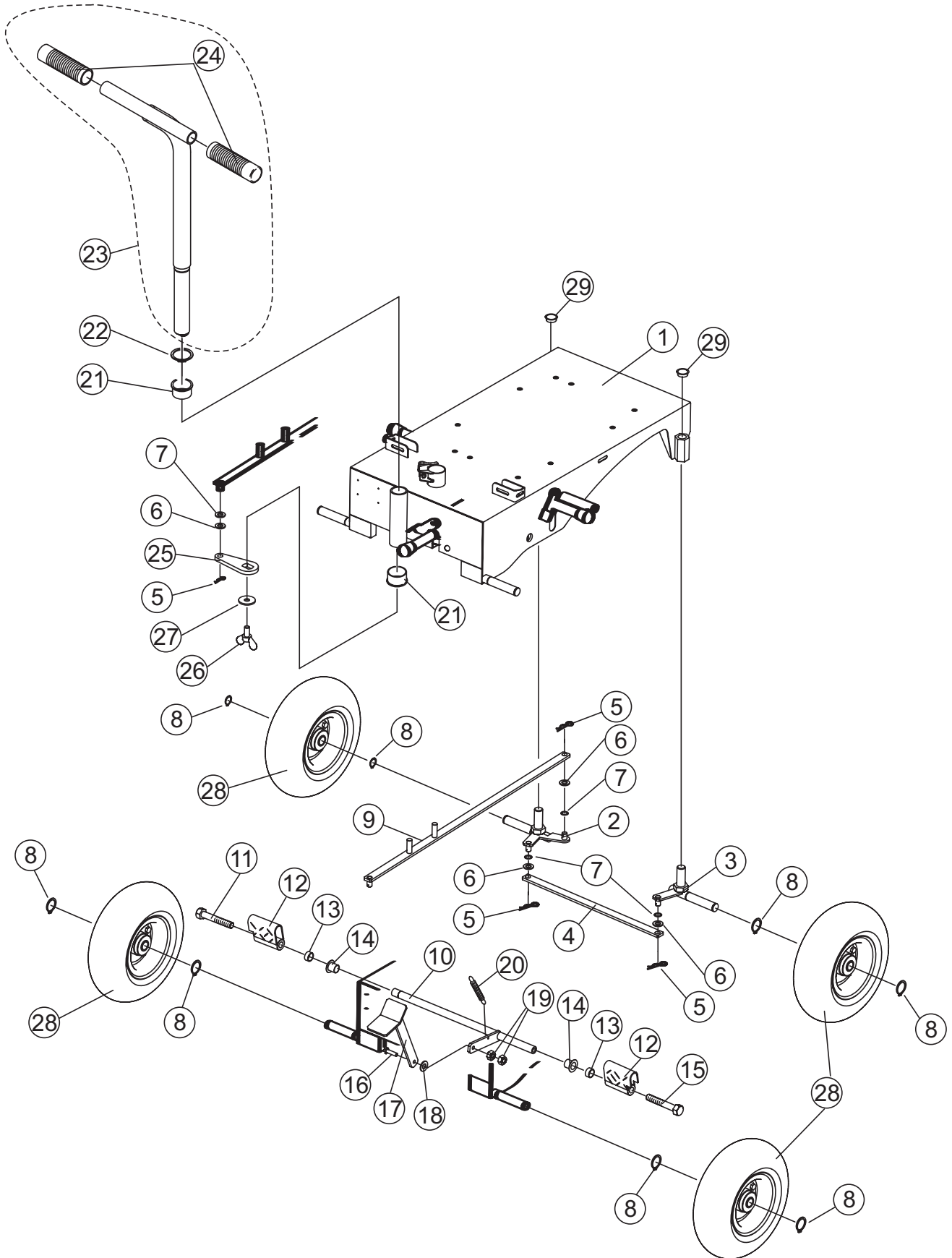
<u>NO.</u>	<u>PART NO.</u>	<u>PART NAME</u>	<u>QTY.</u>	<u>REMARKS</u>
1#	E000080700	LAMP MH1000/BT37/C/U/4200K	1	
2#	0023405012	SCREW (M5x12)	4	
3#	A400195200	STOPPER	4	
4#	0024304008	SCREW (M4x8)	15	
5#	A300167500	SOCKET ASSY	1	
6#	E000038200	RUBBER	1	
7#	0025304025	SCREW & WASHER (M4x25)	2	
8#	A300174000	LAMP HOLDER	1	
9#	A300160601	PLATE (LAMP)	1	
10#	A200057701	MAIN POLE (EX) CP	4	
11#	0024304004	SCREW (M4x4)	8	
12#	2214500230	SEAL (FLAT)	2	
13#	A100061200	SHEET (TOP) CP	1	
14#	A100056900	BALLOON COVER CP	1	
15#	A300162400	SEAL (PACKING)	2	
16#	A300165100	PLATE (TOP)	1	
17#	0014808025	BUTTON SCREW & WASHER (M8x25)	4	
18#	A100055800	LAMP GUARD CP	1	
19#	A300168800	FAN MOTOR ASSY	1	
19A	E000130100	CAPACITOR, FAN MOTOR, GB113, 2µF, 250V	1	
20#	0023304012	SCREW & WASHER (M4x12)	8	
21#	A300164900	PLATE (FAN)	1	
22#	0023204006	SCREW (M4x6)	3	
23#	A300160002	COVER 1	1	
24#	A300160100	COVER 2	1	
25#	A300168900	E BALLAST ASSY	1	
26#	E000070000	SUPPORT NUT	4	
27#	0033104000	NUT (M4)	5	
28#	A200057601	FLANGE	1	
29#	A300165000	PLATE (GUARD)	1	
30#	A100061000	SHEET (BOTTOM)	1	
31#	A300145801	BOTTOM PLATE	1	
32#	E000009701	WAVE WASHER (M5)	3	
33#	A400030700	STOPPER (FILTER)	3	
34#	E000077500	SPACER	3	
35#	0043110000	WASHER (M10)	4	
36#	0043210000	SPRING WASHER (M10)	4	
37#	0014710035	BUTTON SCREW (M10x35)	4	
38#	2214500430	FILTER	1	
39#	A300145901	PLATE (AIR)	1	
40#	A300167600	MAIN CABLE CP	1	INCLUDES ITEM W/ \$
41\$#	E000072600	METAL GLAND	1	
42#	GBB115DR	BALLOON CLOTH CP	1	CONTACT MQ UNIT SALES
43#	2204510110	WASHER	1	
44#	E000079800	KNOB	1	
45#	GBBALD1	BLANK MESSAGE STRIP (OPTIONAL)	1	CONTACT MQ UNIT SALES
46#	A300135500	AC POWER CABLE	1	
47	GBP	BALLOON/LAMP ASSY	1	INCLUDES ITEMS W/ # CONTACT MQ UNIT SALES
48	GB48	BALLOON CLOTH (OPTIONAL)	1	CONTACT MQ UNIT SALES
49	GB48BMS	BLANK MESSAGE STRIP, 48"X48" (OPTIONAL) ..	1	CONTACT MQ UNIT SALES
50	GB36	BALLOON CLOTH (OPTIONAL)	1	CONTACT MQ UNIT SALES
51	GB36BMS	BLANK MESSAGE STRIP, 36" X 36" (OPTIONAL) ..	1	CONTACT MQ UNIT SALES
52	GB36N	BALLOON CLOTH (OPTIONAL)	1	CONTACT MQ UNIT SALES



MAST ASSY

<u>NO.</u>	<u>PART NO.</u>	<u>PART NAME</u>	<u>QTY.</u>	<u>REMARKS</u>
1	A300169400	THIRD MAST	1	
2	A300169300	SECOND MAST	1	
3	A300169200	FIRST MAST	1	
4	A400187600	KNOB	2	
5	A000017000	PLUG	1	
6	A400112700	LEAF VALVE	1	
7	0023105008	SCREW (M5x8)	2	
8	0043105000	WASHER (M5)	1	
9	0023104008	SCREW (M4x8)	1	
10	0043104000	WASHER (M4)	1	
11	0013108030	BOLT (M8x30)	1	
12	A400110200	WASHER (MAST)	5	
13	0043108000	WASHER (M8)	11	
14	A400092801	WASHER (SECOND MAST)	1	
15	A400188101	BOTTOM PLATE (SECOND MAST)	1	
16	E000074700	O-RING	1	
17	0024705008	SET SCREW (M5x8)	4	
18	0013108040	BOLT (M8x40)	1	
19	A400109600	RUBBER (SECOND MAST)	2	
20	A400180901	RUBBER (THIRD MAST)	3	
21	A400181000	WASHER (THIRD MAST)	1	
22	A400181101	BOTTOM PLATE (THIRD MAST)	1	
23	A400193000	PIPE (LEVER)	1	
24	A400192900	WASHER	1	
25	A400190400	SPRING (HOOK)	1	
26	A400192800	LEVER (LOCK)	1	
27	A400195100	WASHER	1	

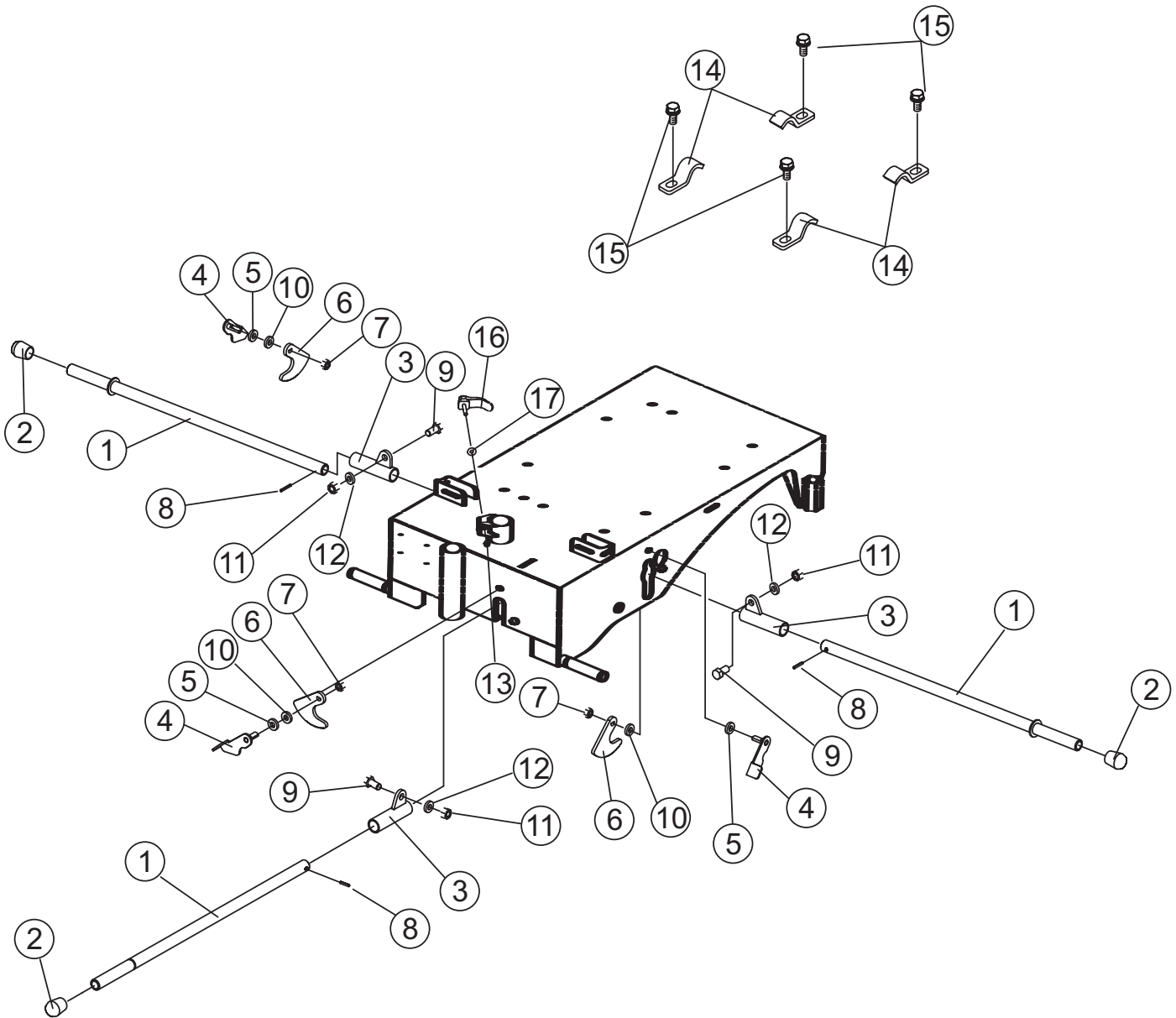
BASE ASSY



BASE ASSY

<u>NO.</u>	<u>PART NO.</u>	<u>PART NAME</u>	<u>QTY.</u>	<u>REMARKS</u>
1	A100054500	BASE PLATE CP	1	
2	A300147201	FRONT SHAFT (L)	1	
3	A300147301	FRONT SHAFT (R)	1	
4	A300056800	LINK (FRONT SHAFT)	1	
5	0053512000	PIN (12)	4	
6	0043112000	WASHER (M12)	4	
7	1504120130	WASHER (12.2dx18Dx0.5t)	4	
8	0040720000	SNAP RING (20)	8	
9	A300137101	STEERING LINK	1	
10	A300150900	BRAKE SHAFT	1	
11	1521120131	BOLT (M12x75) LEFT SCREW	1	
12	2071214010	BRAKE	2	
13	A400189600	SPACER (BRAKE)	2	
14	1503180130	SLEEVE BEARING (18dx20Dx20)	2	
15	0013212075	BOLT (M12x75)	1	
16	0010308030	BOLT (M8x30) SUS	1	
17	2001200313	BRAKE PEDAL	1	
18	0043108000	WASHER (M8)	1	
19	0033108000	NUT (M8)	2	
20	1041000131	SPRING (BRAKE)	1	
21	1503300130	SLEEVE BEARING (30dx34Dx20)	2	
22	0040730000	SNAP RING (30)	1	
23	A200023001	HANDLE	1	INCLUDES ITEM W/ #
24#	1102700130	HANDLE GRIP	2	
25	A400176500	LINK (HANDLE)	1	
26	0014212025	WING BOLT (M12x25)	1	
27	0043112041	WASHER (12dx40Dx3.2t)	1	
28	E000014500	TIRE ASSY (4.10/3.505)	4	
29	1652000430	CAP	2	

OUTRIGGER ASSY



OUTRIGGER ASSY

<u>NO.</u>	<u>PART NO.</u>	<u>PART NAME</u>	<u>QTY.</u>	<u>REMARKS</u>
1	A300162202	OUTRIGGER CP	3	
2	E000149500	RUBBER FOOT	3	REPLACES P/N 1641001430
3	A400175302	HOLDER (OUT, R)	3	
4	A400176901	LEVER (OUT, R)	3	
5	A400114401	WASHER	3	
6	A300147802	WEIGHT (OUT, R)	3	
7	0033210000	SELF LOCK NUT (M10)	3	
8	0053304025	SPRING PIN (M4x25)	3	
9	0013112030	BOLT (M12x30)	3	
10	0043110000	WASHER (M10)	3	
11	0033212000	SELF LOCK NUT (M12)	3	
12	0043112000	WASHER (M12)	3	
13	0033206000	SELF LOCK NUT (M6)	1	
14	A400166400	LOCKING CLAMP	4	
15	0013510025	BOLT & WASHER (M10x25)	4	
16	2212780310	LEVER	1	
17	0043108000	WASHER (M8)	1	