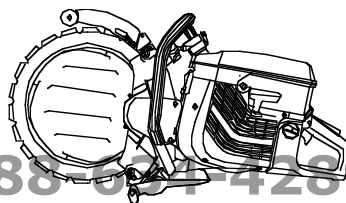


PARTNER

ConstructionParts.com



888-634-4289

IPL, K 950 Ring, 2003-09, 106 29 07-61

ConstructionParts.com

K 950 Ring

Reservdelar

Spare parts

Ersatzteile

Pieces de rechange

Piezas de repuesto

Ricambi

***Peças
sobresselente***

ConstructionParts.com

888-634-4289

106 29 07-61

PARTNER

No.	Pos.	Description	No.	Pos.	Description
501 19 22-01	Q	Tool bag	503 45 46-01	K	Elbow
501 22 03-01	P	Welch plug	503 46 02-02	G	Piston cpl
501 22 04-01	P	Ball	503 46 85-01	K	Anti-vib element
501 22 05-01	P	Spring	503 53 36-01	P	Cover
501 22 12-01	P	Fuel pump diaphragm	503 53 39-01	P	Nipple
501 22 13-01	P	Gasket, pump side	503 56 00-02	D	Clamp
501 22 15-01	P	Screw	503 57 76-02	K	Hose
501 22 20-01	P	Lever	503 57 86-01	P	Ball
501 22 21-01	P	Shaft	503 57 87-01	P	Screw
501 22 25-01	P	Spring	503 57 89-01	K	Holder
501 48 52-01	P	Screw	503 66 56-01	G	Valve
501 48 54-02	F	Spark plug conn.kit	503 67 80-01	D	Support ring
501 53 16-01	F	Cable	503 70 15-01	A	Clutch cpl
501 63 48-01	F	Spring	503 78 26-74	H	Crankshaft
501 67 32-03	F	Pawl	503 90 17-01	F	Ignition module
501 69 17-02	Q	Comb. tool	503 97 83-01	G	Muffler
501 76 83-05	K	Hose	503 98 82-01	P	Screen
501 76 83-31	K	Hose	505 27 75-16	F	Insulation cap
501 81 99-01	F	Screw M5x14	505 31 65-50	P	Inlet needle
501 82 18-01	P	Retaining ring	506 03 32-02	J	Screw
501 83 98-01	F	Cable	506 09 56-02	L	Clamp
502 41 22-01	L	Clip	506 09 58-04	L	Hose
503 12 79-02	E	Starter handle	506 13 35-01	D	Bracket
503 14 51-01	A	Clutch spring	506 13 95-11	N	Washer
503 20 00-45	N	Screw m8x16	506 13 96-01	N	Screw
503 20 02-16	CDGK	Screw mc6sf 5x16	506 15 55-06	G	Cylinder cpl
503 20 02-55	D	Screw mc6sf 5x55	506 15 82-01	G	Gasket
503 20 03-80	N	Screw mc6sf 5x80e	506 16 91-01	G	Conductor
503 20 07-12	J	Screw mc6sf 5x12	506 17 83-01	N	Ring
503 20 07-30	C	Screw mc6sf 5x30	506 21 68-11	K	Tank unit cpl
503 20 13-18	MN	Screw	506 22 16-12	C	Cylinder cover
503 20 19-75	G	Screw	506 22 17-01	C	Filter cover
503 20 25-20	P	Screw mc6shs 4x20	506 22 18-11	C	Filter base
503 20 34-19	AE	Screw mchssso 5x19	506 22 19-01	D	Pipe
503 20 34-42	C	Screw mchssso 5x42	506 22 22-02	E	Air conductor
503 20 46-16	MN	Screw	506 22 27-01	K	Throttle trigger
503 20 54-35	M	Screw mc6shso 8x35	506 22 28-01	K	Throttle lock
503 21 05-22	KL	Screw	506 22 29-01	K	Spring
503 21 05-45	K	Screw	506 22 31-01	D	Rod
503 21 06-19	L	Screw	506 22 39-01	D	Flange
503 21 07-16	N	Screw	506 22 94-01	C	Jet
503 21 28-06	F	Screw	506 23 12-01	D	Guide
503 21 28-10	E	Screw	506 23 18-01	C	Air filter
503 21 46-01	L	Screw	506 23 19-01	C	Filter
503 21 67-22	E	Screw	506 23 20-11	D	Choke control
503 22 00-01	MN	Nut m6mf m8	506 23 23-01	K	Spring
503 22 10-11	F	Lock nut M8x1	506 23 24-01	J	Gasket
503 23 00-42	F	Washer 10,0x5,3x1,0	506 23 59-03	E	Starter cpl
503 23 01-01	F	Washer 8.4x16	506 23 61-01	K	Tank vent.
503 23 01-12	N	Washer 10,0x6,5x0,8	506 23 75-01	K	Spring
503 23 04-01	N	Washer	506 24 39-01	C	Decal
503 23 04-02	G	Washer	506 24 69-01	L	Blade guard
503 23 04-03	M	Washer	506 25 14-01	E	Washer
503 23 51-08	F	Spark plug RCJ7Y	506 25 30-01	E	Spring
503 25 00-02	HJ	Ball bearing 6203C3QE6	506 25 59-32	K	Tank cap
503 25 21-01	N	Ball bearing	506 25 64-02	P	Insert
503 25 24-01	BMN	Ball bearing	506 25 73-01	N	Spring
503 25 38-01	A	Needle bearing	506 25 81-02	E	Starter pulley
503 25 61-01	GH	Needle bearing	506 25 84-01	P	Gasket
503 26 02-05	J	Sealing ring	506 25 85-01	P	Diaphragm
503 26 20-01	MN	Sealing ring	506 25 88-01	P	Gasket set
503 26 21-01	N	Sealing ring	506 25 89-01	E	Return spring
503 26 30-08	M	O-ring 8,0x1,0	506 26 22-01	L	Roller
503 26 30-21	L	O-ring 10,5x2,7	506 26 31-01	E	Sleeve
503 26 30-22	N	O-ring 5,85x2,4	506 26 41-01	K	Filter
503 26 30-25	L	O-ring 8,0x2,0	506 26 41-11	K	Fuel filter cpl
503 26 30-26	M	O-ring 10,0x2,2	506 27 11-01	K	Fuel filter weight
503 28 04-02	DP	Carburettor	506 27 14-01	P	Screw
503 28 90-24	G	Piston ring	506 27 23-01	E	Decal
503 40 06-07	D	Hose	506 27 24-01	C	Decal

No.	Pos.	Description	No.	Pos.	Description
506 27 25-01	D	Protector	506 33 65-01	N	Sealing ring
506 27 27-10	F	Flywheel cpl	506 33 72 01	E	Cover
506 27 31-01	J	Buffer	506 33 95-01	L	Spring
506 27 63-01	P	Repair kit	506 33 96-01	L	Bolt
506 27 75-01	N	Pulley	506 34 39-01	N	Sealing
506 27 84-31	C	Label epa usa	506 34 63-01	M	Washer
506 27 84-32	C	Label ce	506 34 64-01	M	Screw
506 27 84-33	C	Label epa canada	506 34 76-02	N	Spring
506 28 01-01	A	Wheel compl	506 34 81-01	N	Valve
506 28 02-03	N	Cover cpl	506 34 90-01	L	Plug
506 28 03-71	M	Cover	506 34 91-01	J	Bracket
506 28 06-02	B	Belt tensioner compl	506 35 13-01	N	Knob cpl
506 28 07-02	J	Crankcase cpl	506 35 13-02	N	Knob
506 28 09-01	A	Guarda	506 35 15-02	N	Shaft cpl
506 28 11-01	A	Decal	506 35 18-01	M	Roller cpl
506 28 39-30	C	Sealing	506 35 19-01	MN	Wear protector
506 28 53-01	K	Spring	506 35 20-02	N	Roller cpl
506 28 59-01	A	Spacer	506 35 21-01	M	Roller cpl
506 28 63-01	P	Spring	506 35 22-01	L	Splash guard
506 28 68-01	P	Cover	506 35 23-02	N	Wheel cpl
506 28 74-01	D	Intake	506 35 50-01	Q	Key 4 m/m
506 28 95-01	K	Nipple	506 35 50-02	Q	Key 5 m/m
506 29 05-02	Q	Gasket set	506 35 52-01	Q	Key 19 m/m
506 29 09-01	P	Throttle shaft kit	506 36 36-01	Q	L-spanner
506 29 10-01	P	Throttle shaft sealing kit	506 36 38-01	Q	Tool kit
506 29 11-01	P	Choke shaft kit	506 36 85-01	N	Sleeve
506 29 13-01	P	Jets and plugs kit	506 37 46-01	N	Washer
506 29 21-01	K	Gasket	506 37 47-01	N	Sealing
506 29 23-01	L	Spring	506 37 48-01	N	Holder
506 29 57-01	L	Nipple	506 37 49-01	N	Sleeve
506 29 59-01	L	Decal	506 37 50-02	N	Spacer
506 29 67-01	B	Belt	506 37 89-01	L	Stabilizer blade
506 29 78-01	K	Handle	720 12 40-20	K	Pin
506 29 88-01	L	Screw	720 13 07-10	J	Pin
506 30 14-02	M	Screw adjusting	721 12 52-70	N	Pin
506 30 29-01	N	Shaft	721 42 52-50	N	Spiral pin 4x12
506 30 29-02	M	Shaft	721 44 06-00	N	Pin
506 30 32-01	M	Sealing	725 52 95-55	L	Screw mc6s 4x20
506 30 33-01	N	Spacer sleeve	725 53 27-55	N	Screw mc6s 5x12
506 30 33-02	M	Spacer sleeve	725 53 31-56	L	Screw mc6s 5x20e
506 30 34-01	MN	Carrier	725 53 40-55	J	Screw mc6s 5x45
506 30 35-01	N	Protector	725 53 72-55	BG	Screw mc6s 6x25
506 30 39-01	N	Screw	725 53 76-56	L	Screw mc6s 6x35e
506 31 19-01	N	Cover	725 53 78-55	B	Screw mc6s 6x40
506 31 22-01	N	Carrier cpl	725 53 79-56	L	Screw
506 31 28-01	L	Plate	725 53 81-56	M	Screw mc6s 5x55e
506 31 45-01	L	Pipe	725 54 59-05	N	Screw
506 31 52-01	N	Holder	732 21 16-01	B	Locknut m6
506 31 54-01	N	Holder	734 48 80-01	L	Washer 5,3x12
506 31 68-01	N	Spacer sleeve	735 31 08-41	N	Retaining ring
506 31 68-02	M	Spacer sleeve	735 31 28-10	BMN	Retaining ring sgh 28
506 31 69-01	MN	Dust protection	737 44 13-00	G	Clip
506 31 70-01	MN	Sleeve	740 42 04-00	M	O-ring 6,1x1,6
506 31 71-02	N	Holder cpl	740 42 05-00	L	O-ring 7,1x1,6
506 31 77-11	L	Valve cpl	740 42 24-00	N	O-ring 37,1x1,6
506 31 86-01	F	Stop switch	740 43 13-00	E	O-ring 20,3x15,3x2,4
506 32 21-01	C	Decal	740 48 20-03	C	O-ring 25,7x2,62
506 32 80-01	N	Catch			
506 32 89-50	L	Wet cutting kit			
506 33 08-01	M	Bushing			
506 33 49-01	M	Pipe spacer			
506 33 49-02	L	Sleeve			
506 33 51-01	B	Roller			
506 33 52-01	B	Spacer			
506 33 53-01	B	Arm			
506 33 53-02	B	Arm			
506 33 54-01	B	Spacer			
506 33 56-15	E	Starter rope			
506 33 63-01	N	Insert			
506 33 64-01	N	Filter			

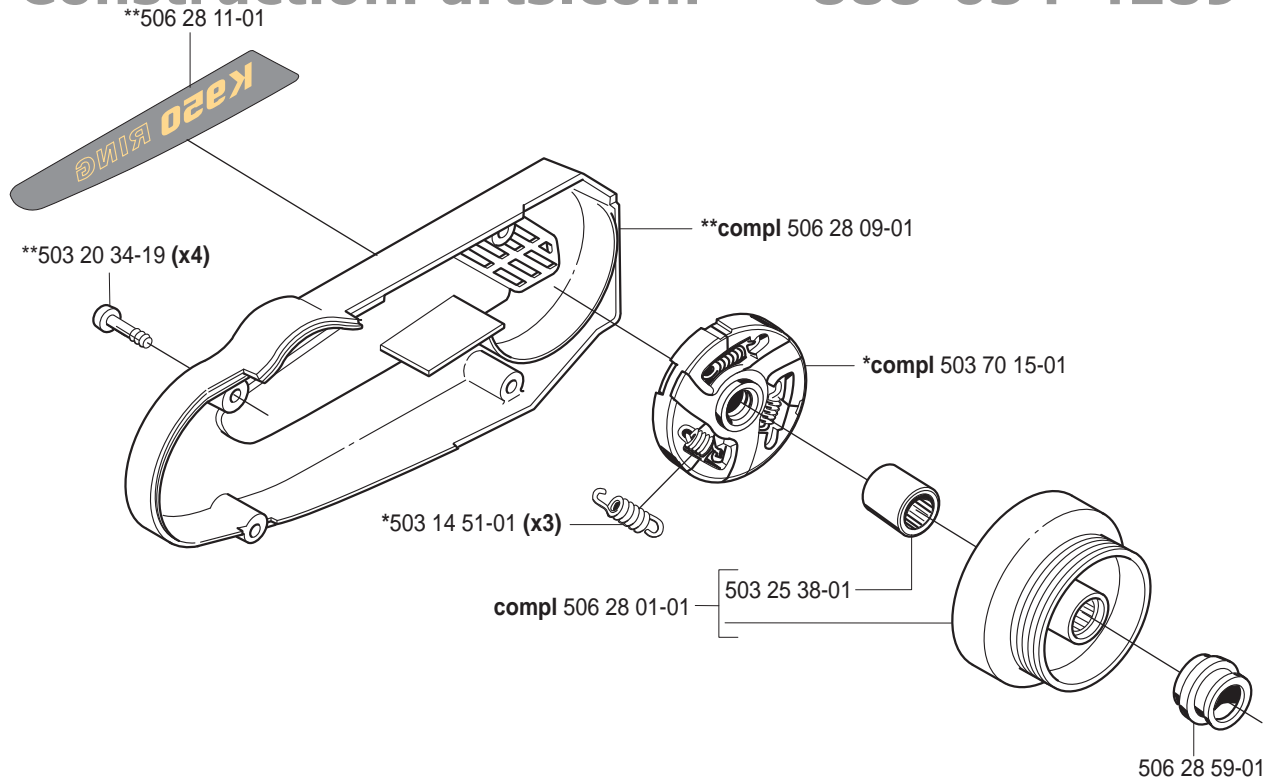
A

**506 28 11-01

K950 RING

ConstructionParts.com

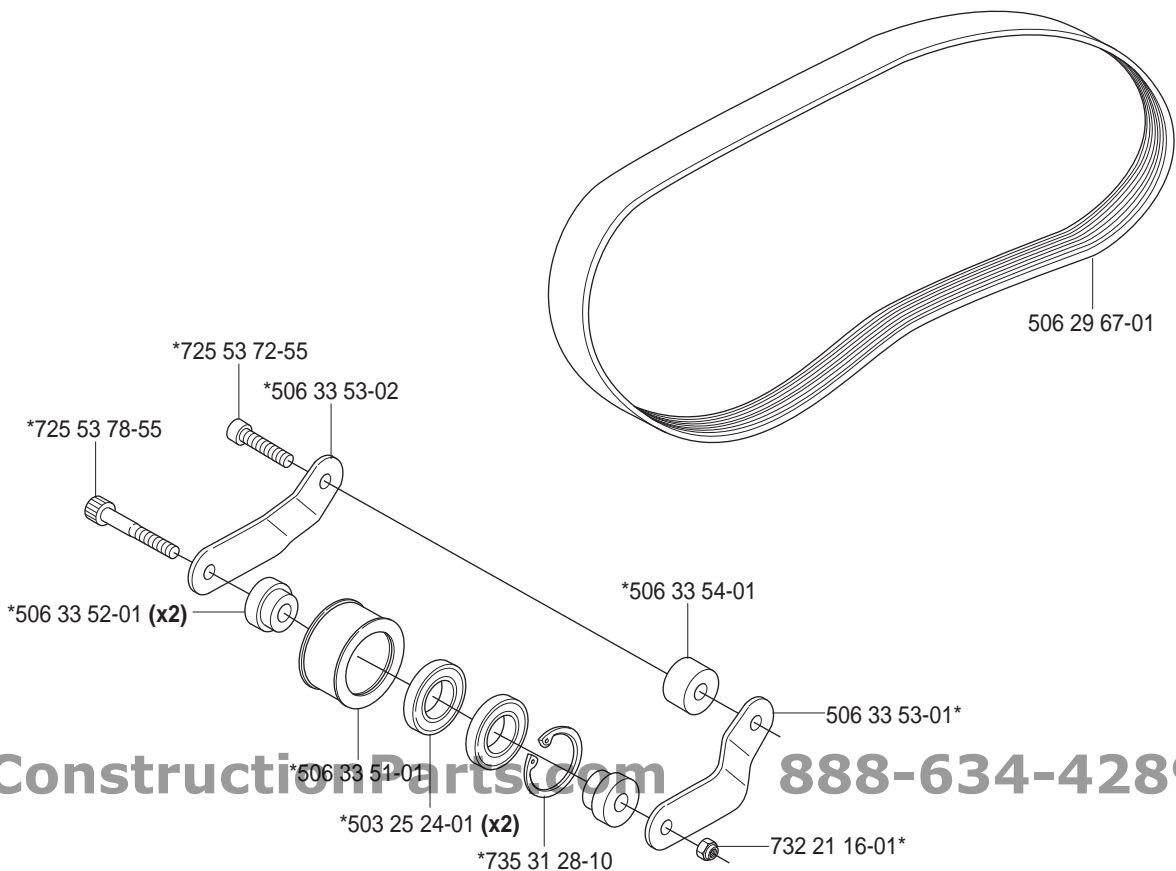
888-634-4289



ConstructionParts.com

B

*compl 506 28 06-02



ConstructionParts.com

888-634-4289

C

ConstructionParts.com

888-631-4289



506 32 21-01

503 20 34-42

503 20 34-42

506 27 84-32
CE



506 27 84-33
EPA Canada



506 27 84-31
EPA USA



506 22 17-01

506 23 19-01

**506 28 39-30

**compl 506 22 18-11

*503 20 07-30 (x3)

506 28 39-30*

ConstructionParts.com

*compl 506 22 16-12

506 23 18-01



506 27 24-01*

740 48 20-03

506 22 94-01

*506 27 24-01



*506 24 39-01



503 20 02-16

D

ConstructionParts.com

888-631-4289

503 40 06-07

506 22 31-01

503 56 00-02

506 22 19-01

503 28 04-02

503 67 80-01

506 13 35-01

503 20 02-16 (x2)

506 23 20-11

506 23 12-01

503 20 02-16

506 22 39-01

506 28 74-01

506 27 25-01

503 20 02-55 (x2)

E Starter
compl 506 23 59-03

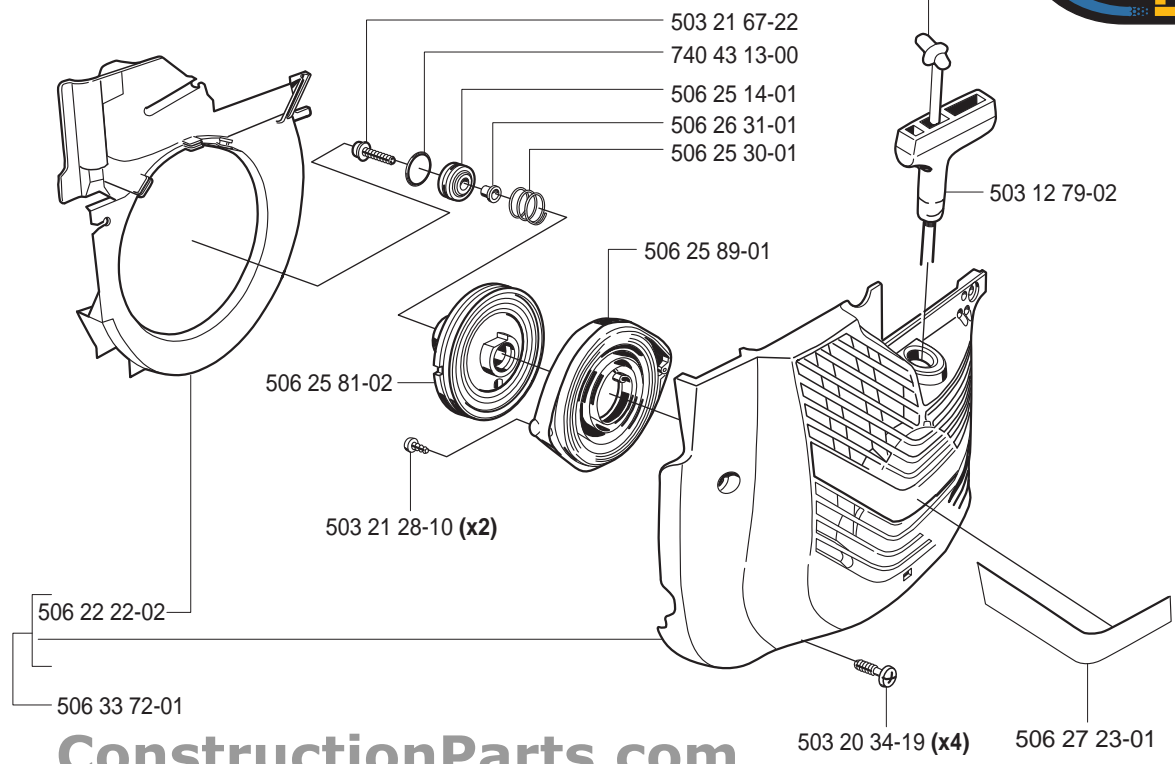
ConstructionParts.com

888-534-4289

506 27 23-01

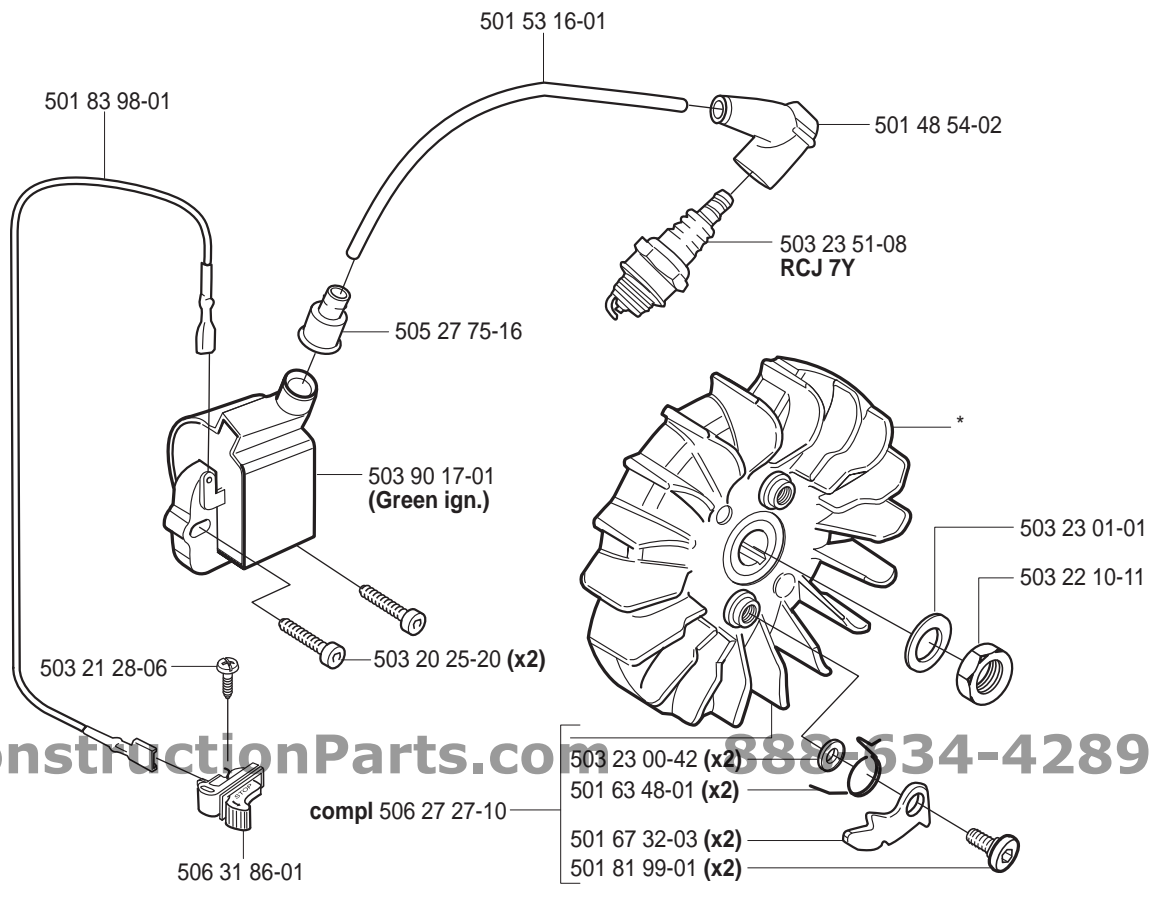


PARTNER



ConstructionParts.com

F

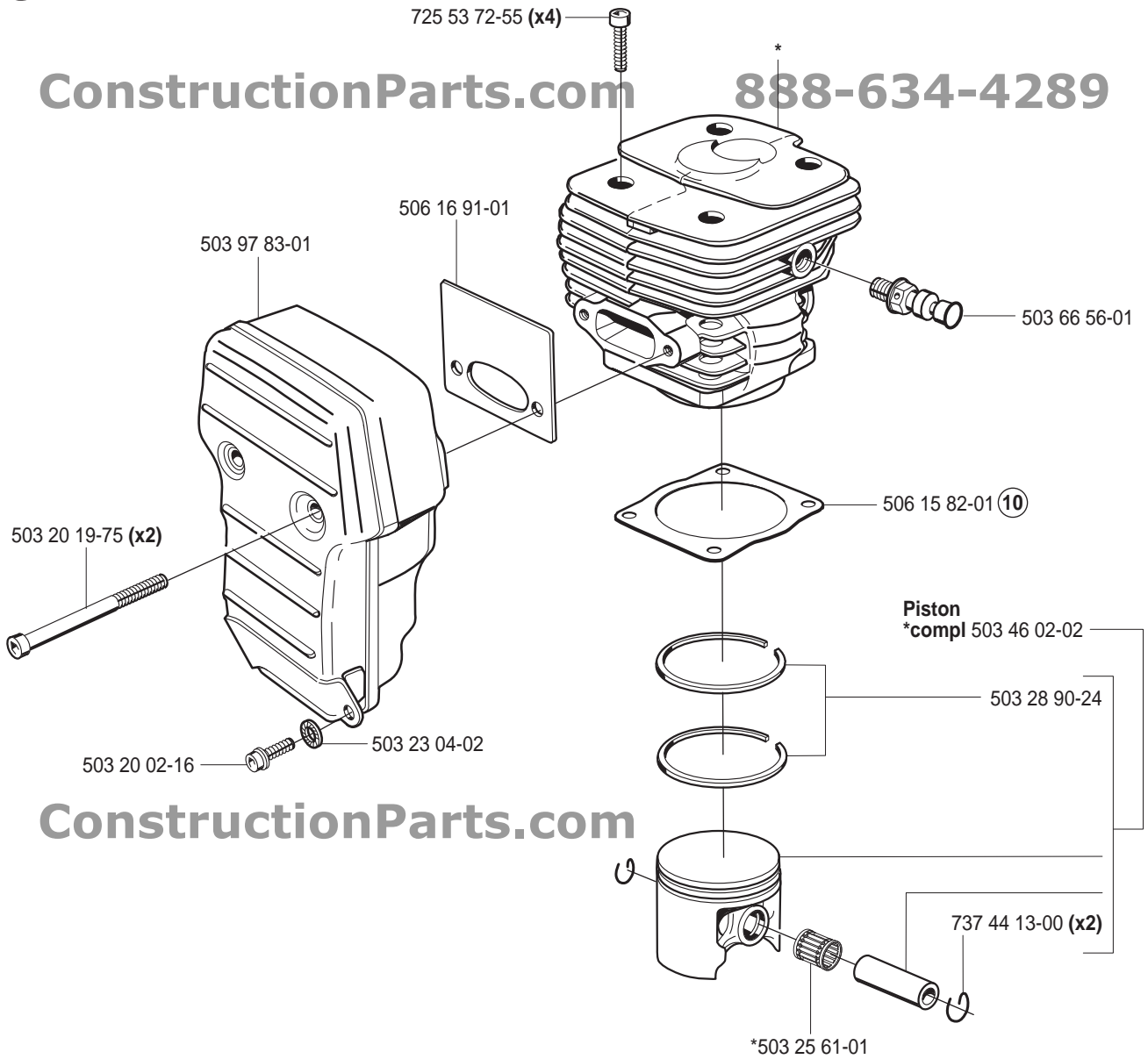


ConstructionParts.com 888-534-4289

G Cylinder and piston
*compl 506 15 55-06

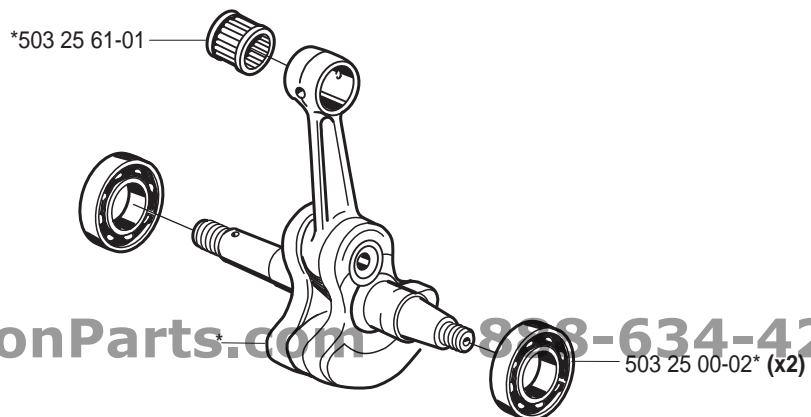
ConstructionParts.com

888-634-4289



ConstructionParts.com

H *compl 503 78 26-74



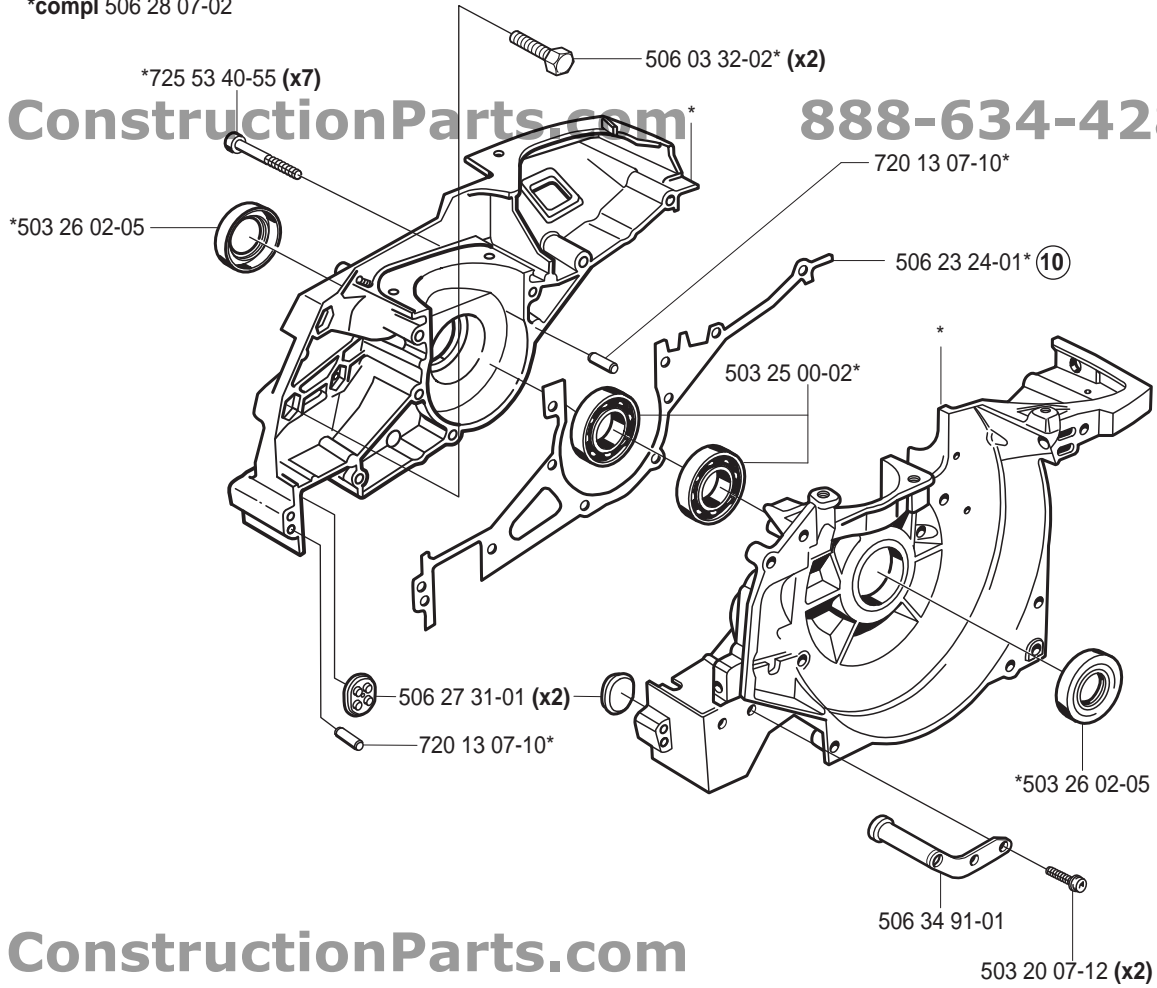
ConstructionParts.com

888-634-4289

J Crankcase
*compl 506 28 07-02

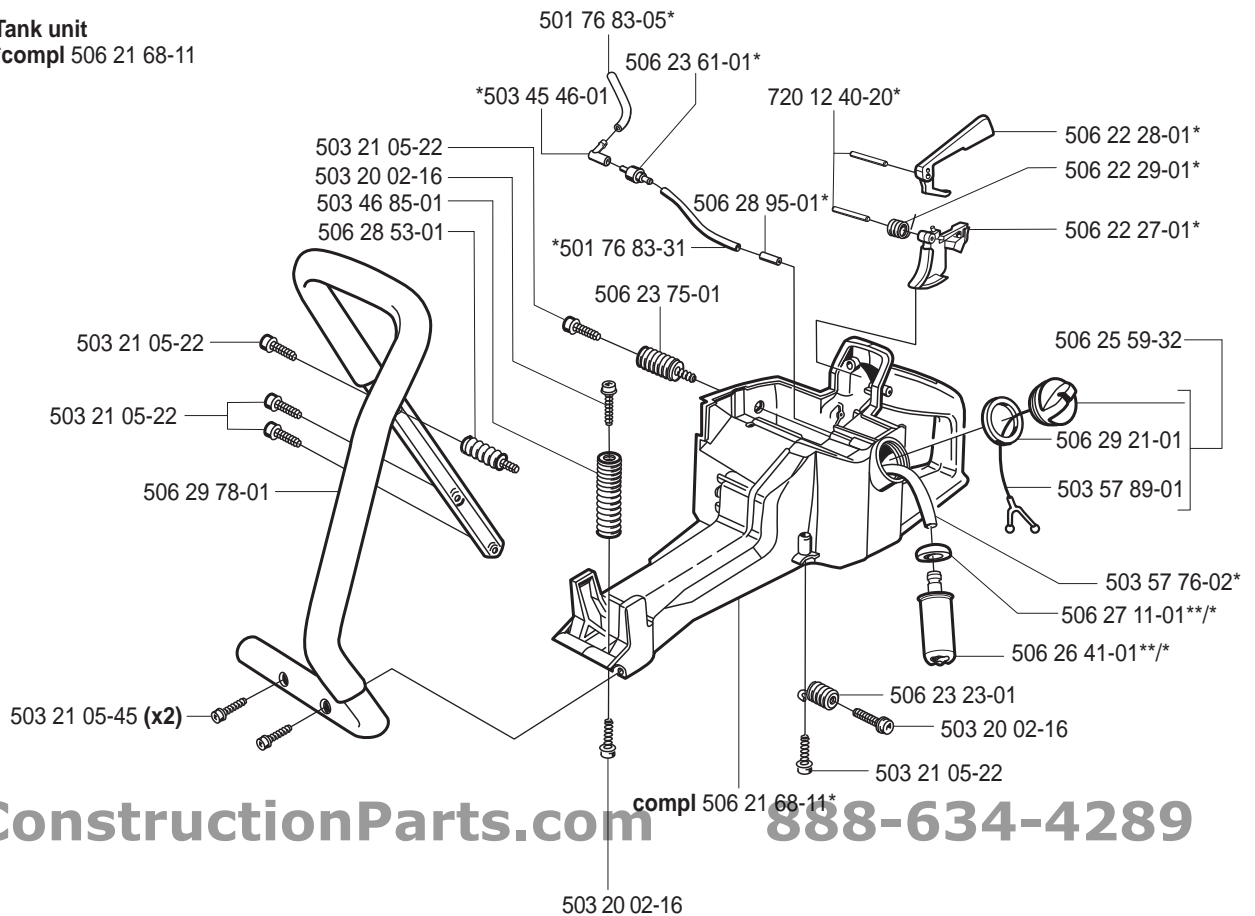
ConstructionParts.com*

888-634-4289



ConstructionParts.com

K Tank unit
*compl 506 21 68-11



ConstructionParts.com

888-634-4289

Fuel filter
**compl 506 26 41-11

L

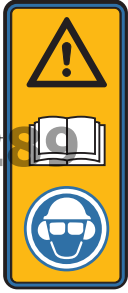
*compl 506 24 69-01

*503 21 46-01 (x2)

*734 48 80-01 (x2)

*506 26 22-01 (x2)

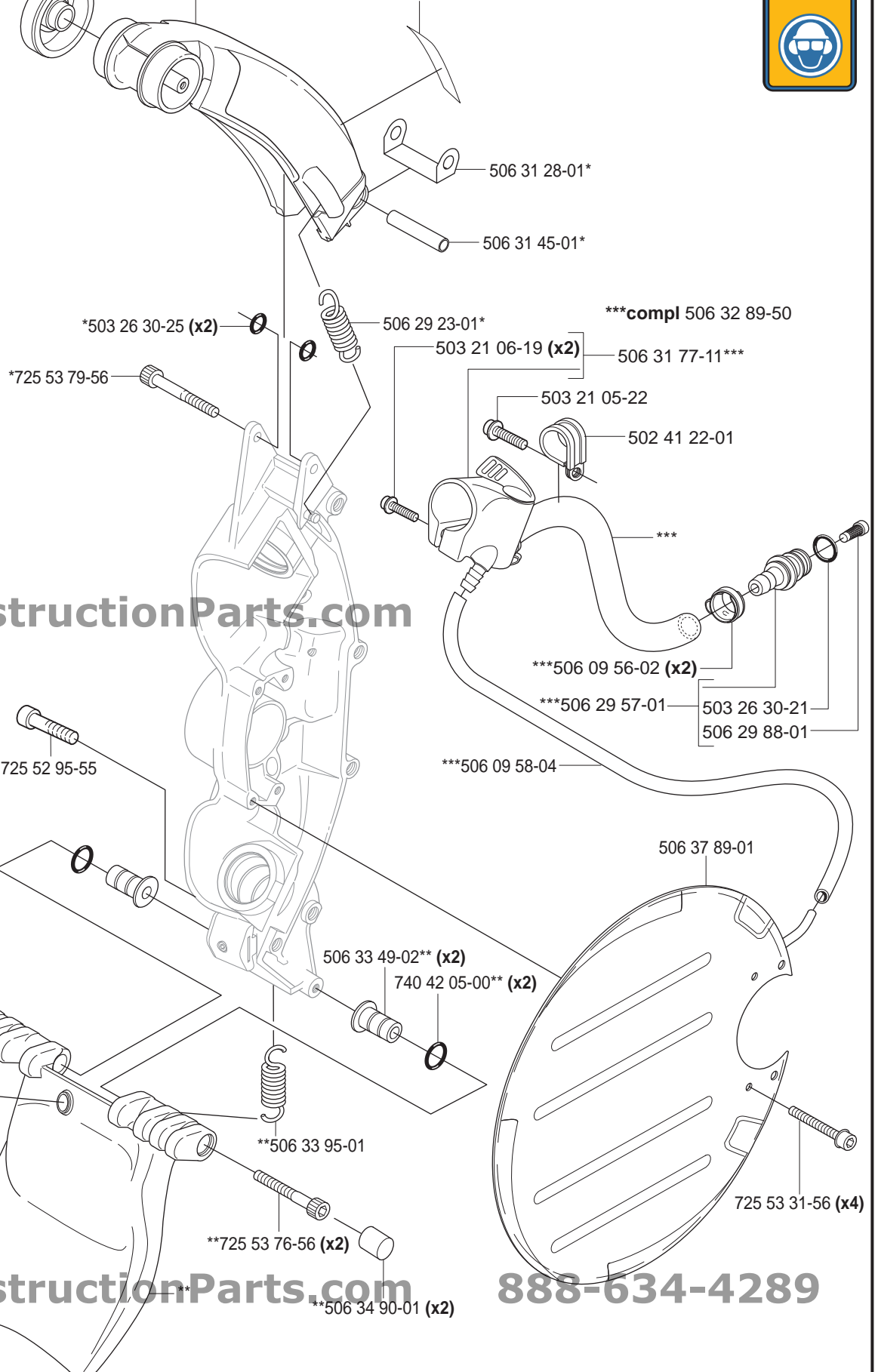
ConstructionParts.com 888-634-4289



*506 29 59-01

506 29 59-01

888-634-4289



506 31 28-01*

506 31 45-01*

*503 26 30-25 (x2)

506 29 23-01*

***compl 506 32 89-50

*725 53 79-56

503 21 06-19 (x2)

506 31 77-11***

503 21 05-22

502 41 22-01

ConstructionParts.com

***506 09 56-02 (x2)

***506 29 57-01

503 26 30-21

506 29 88-01

***506 09 58-04

725 52 95-55

506 37 89-01

506 33 49-02** (x2)

740 42 05-00** (x2)

**506 33 96-01

**506 33 95-01

**725 53 76-56 (x2)

**506 34 90-01 (x2)

725 53 31-56 (x4)

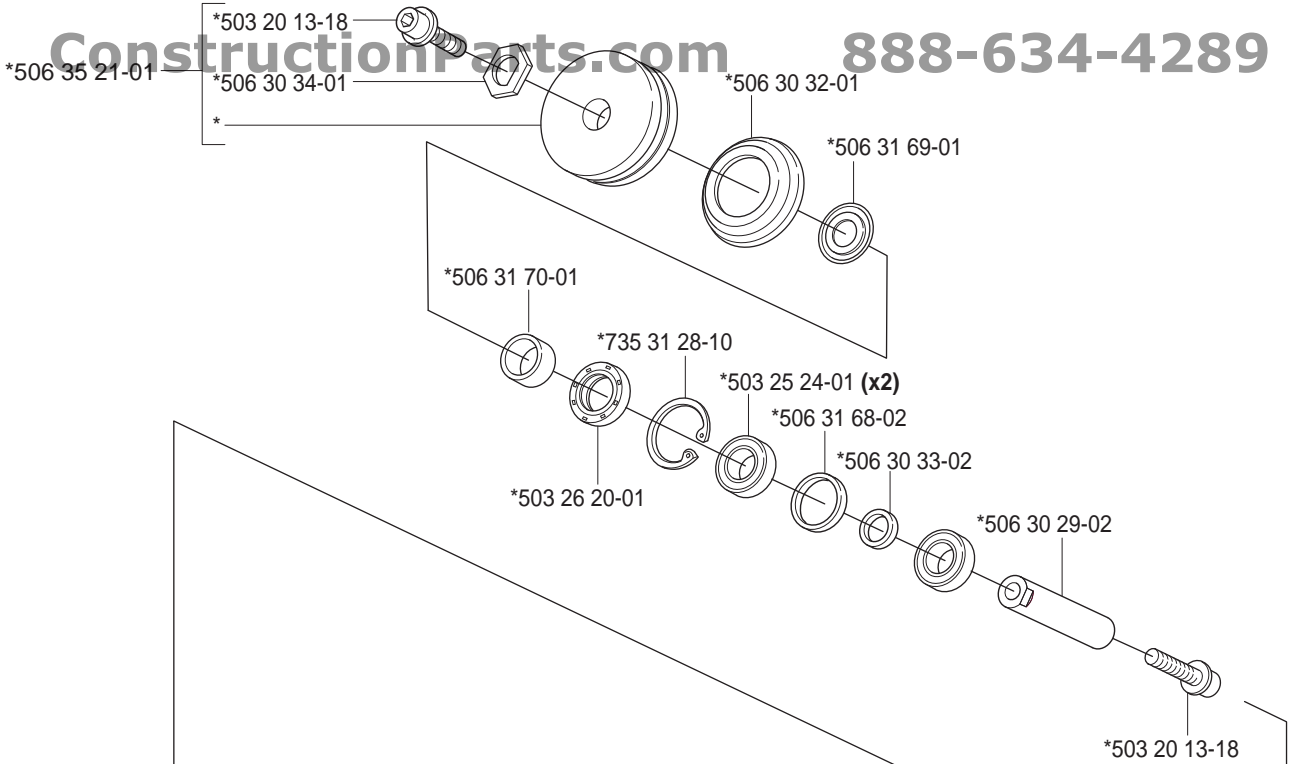
ConstructionParts.com

888-634-4289

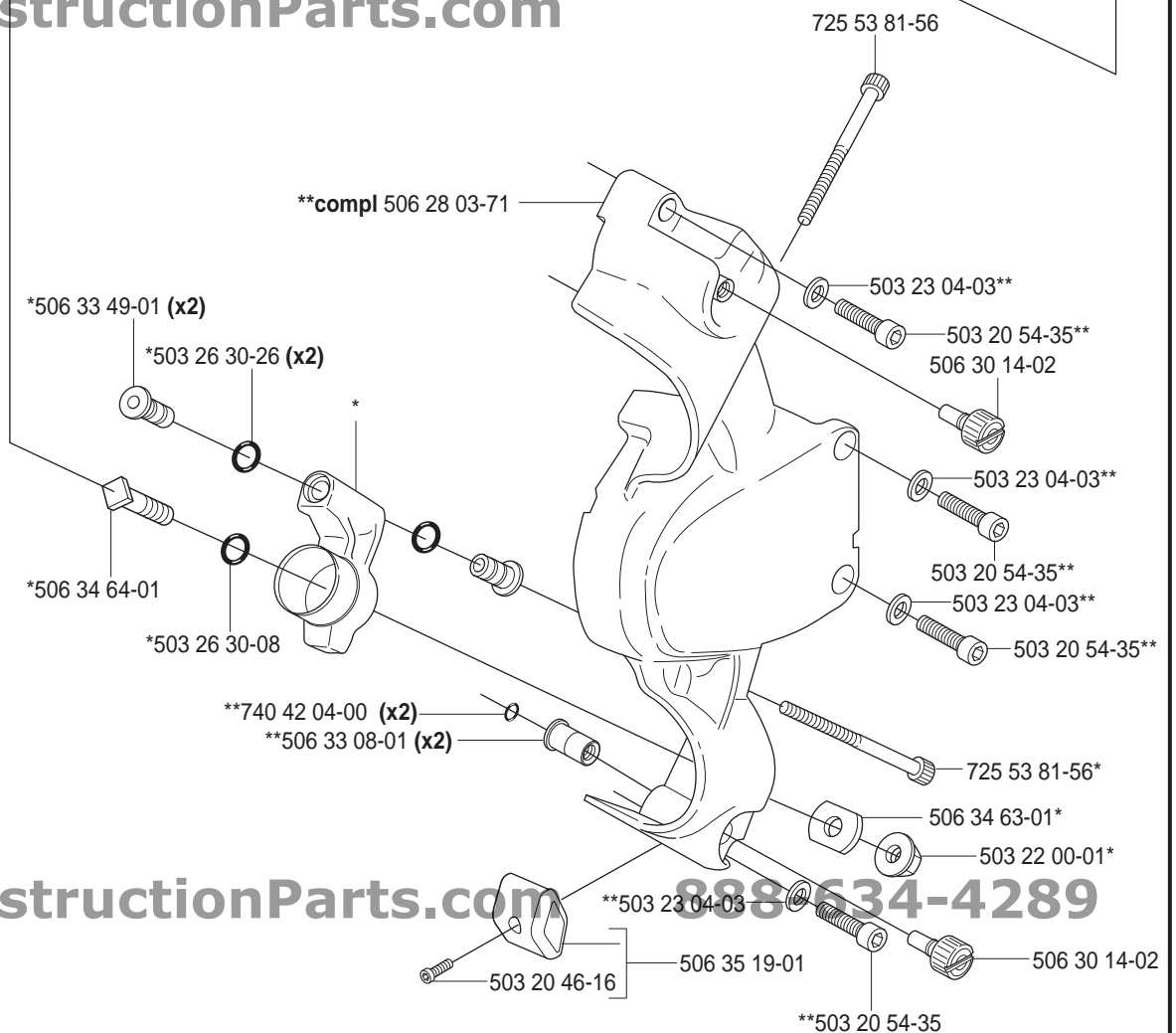
**compl 506 35 22-01

M Arm
*compl 506 35 18-01

ConstructionParts.com 888-634-4289



ConstructionParts.com



ConstructionParts.com 888-634-4289

N

*compl 506 31 71-02

506 35 20-02*

*503 20 13-18

*506 30 34-01

*

*503 25 24-01 (x2)

*506 30 33-01

*506 31 68-01

*506 30 29-01

*503 20 13-18

*506 31 19-01

*506 31 69-01

*506 31 70-01

*503 26 20-01

*506 31 52-01

506 34 39-01*** (x2)

*735 31 28-10

506 34 76-02

506 30 35-01

**503 21 07-16

**506 31 54-01

**506 35 13-02

506 30 39-01 (x2)

506 33 65-01

506 33 63-01

**506 34 81-01

506 33 64-01** (x2)

**compl 506 35 13-01

503 23 04-01 (x2)

503 22 00-01 (x2)

725 54 59-05

721 12 52-70

506 27 75-01

503 20 00-45

***compl 506 28 02-03

***503 26 30-22 (x2)

***735 31 08-41

503 20 03-80

***506 25 73-01

***721 44 06-00

***503 23 01-12

503 25 21-01*** (x2)

***506 32 80-01

506 35 15-02

***506 36 85-01 (x2)

506 37 50-02***

740 42 24-00

***506 37 49-01

506 37 47-01

503 26 21-01

506 37 46-01****

506 17 83-01****

506 37 48-01

725 53 27-55 (x3)

506 13 95-11****

ConstructionParts.com

888-634-4289

503 20 46-16

506 35 19-01

****506 31 22-01

****721 42 52-50 (x2)

****compl 506 35 23-02

506 13 96-01****

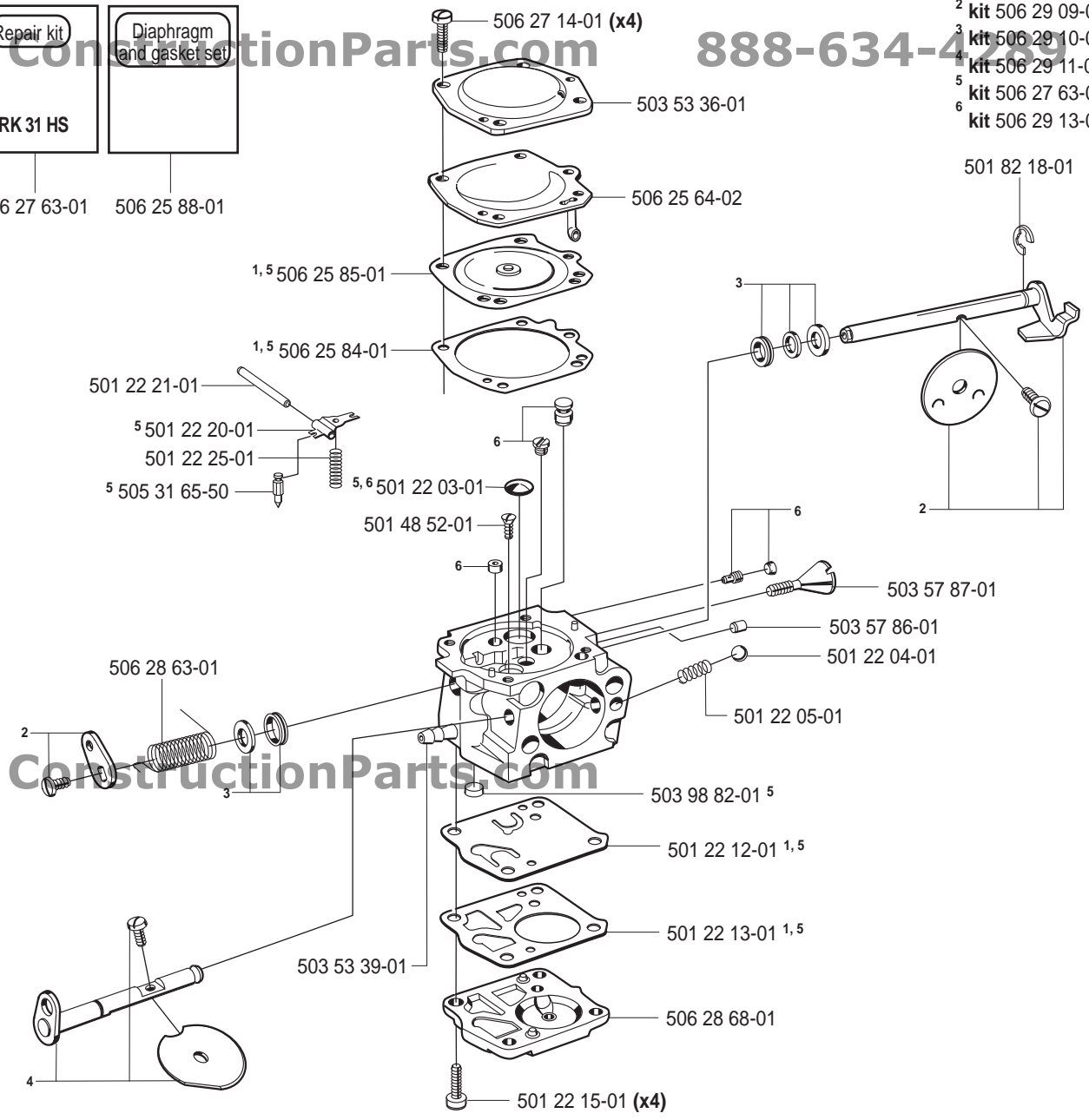
P compl 503 28 04-02

Tillotson HS 282-A

Repair kit RK 31 HS	Diaphragm and gasket set
-------------------------------	--------------------------

506 27 63-01 506 25 88-01

- 1 kit 506 25 88-01
- 2 kit 506 29 09-01
- 3 kit 506 29 10-01
- 4 kit 506 29 11-01
- 5 kit 506 27 63-01
- 6 kit 506 29 13-01

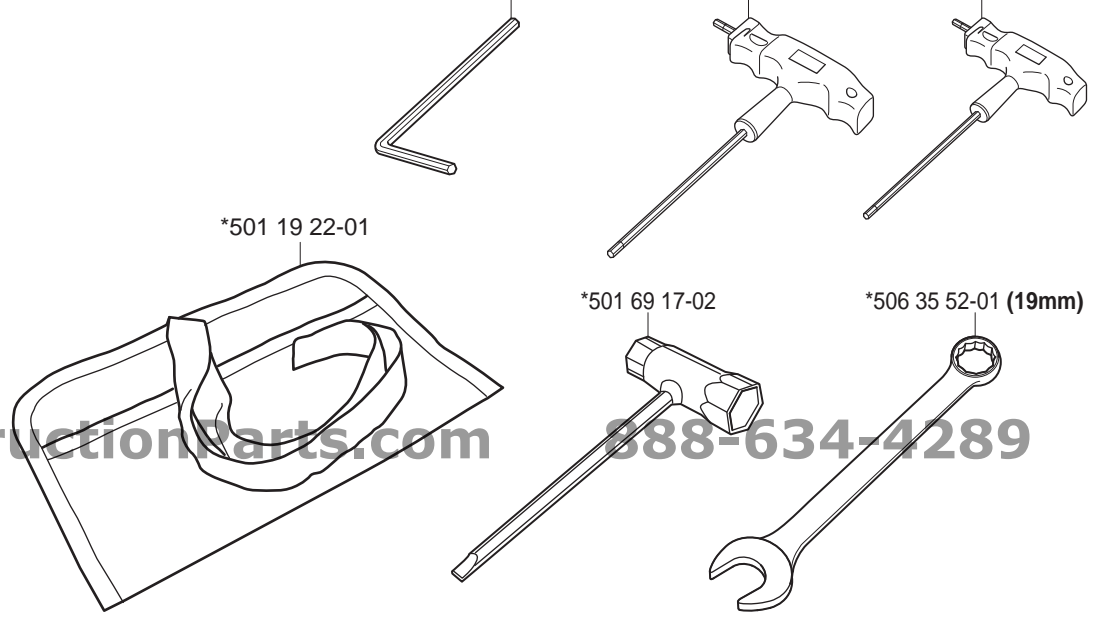


Q *compl 506 36 38-01

*506 36 36-01 (6mm) *506 35 50-02 (5mm) *506 35 50-01 (4mm)

PARTNER Packingsatz Gasket set Dichtungssatz
--

506 29 05-02 (10)



888-634-4289