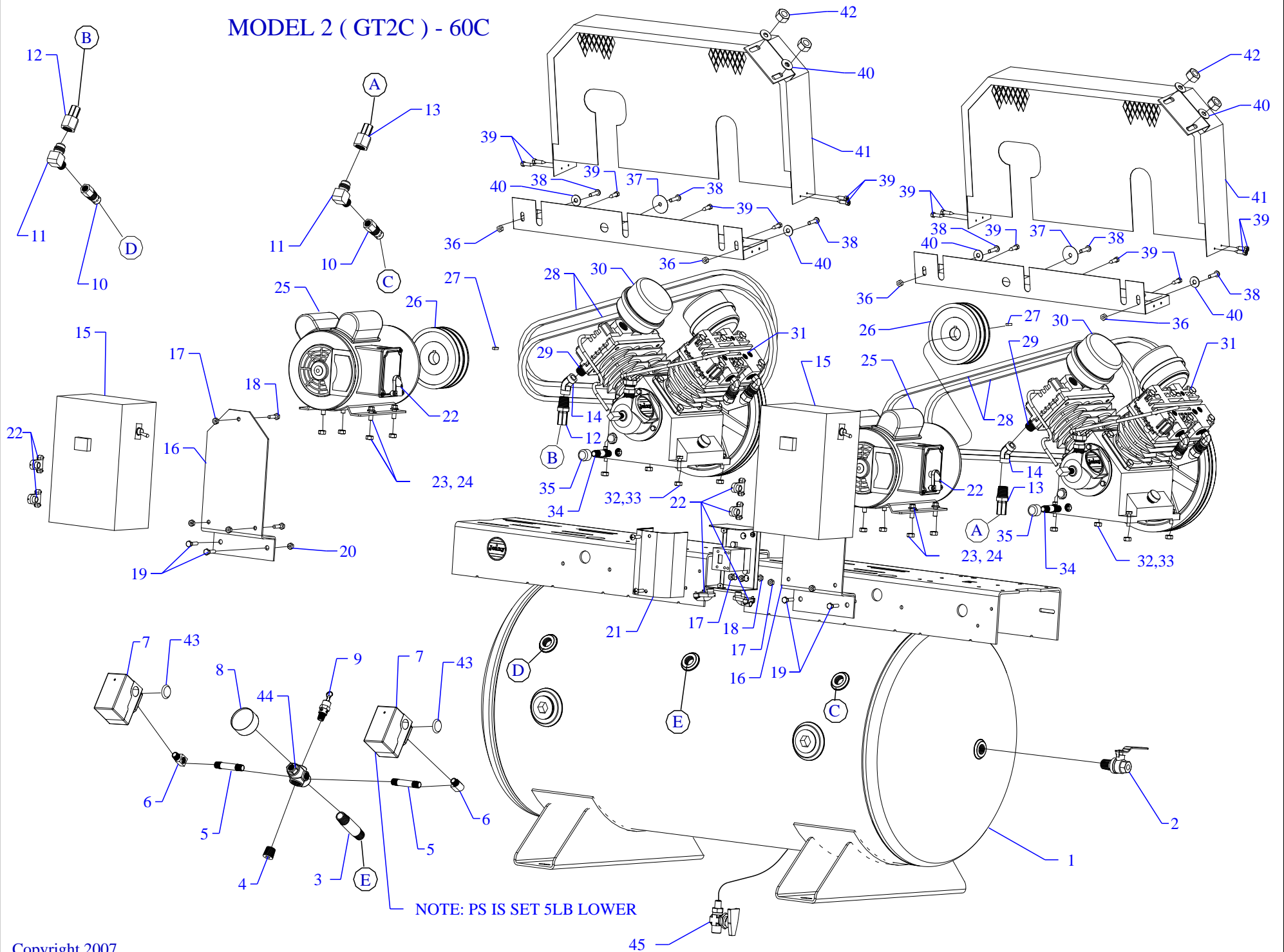


# MODEL 2 ( GT2C ) - 60C



NOTE: PS IS SET 5LB LOWER

## Parts List for Model 2(GT2C)-60C Single & Three Phase

NOTE: The quantity number indicates the total number of pieces required for a complete unit repair.

When ordering parts give compressor model, serial number and part number. Order assemblies when possible.

| <u>REF. NO.</u> | <u>PART NO.</u> | <u>DESCRIPTION</u>                       | <u>QTY.</u> |
|-----------------|-----------------|--|-------------|
| 1               | 411-1068        | TANK,DUPLEX,60G,UNB,G&GC&GT&W&J&U,H60U-5 | 1           |
| 2               | 141-1078        | VALVE,BALL,OUTLET,1/4 TURN,1/2"M X 1/2"F | 1           |
| 3               | 122-1146        | NIPPLE,STEEL,SCH 80,PLTD,1/2" X 2-1/2" L | 1           |
| 4               | 122-1047        | PLUG,SOCKET,HEX,ST,PLTD,1/2" NPT         | 1           |
| 5               | 122-1030        | NIPPLE,STEEL,SCH 40,1/4" X 2" L          | 2           |
| 6               | 122-1118        | ELBOW,STREET,MI,PLTD,90 DEG,1/4"NPT      | 2           |
| 7               | 140-1072        | SWITCH,PSI,2HP,115-175#,PB               | 2           |
| 8               | 142-1000        | GAUGE,PSI,200#,BK MT,JENNY,2",1/4NPT,PG2 | 1           |
| 9               | 141-1016        | VALVE,SAFETY,ASME,1/4",125 PSI,SVU125    | 1           |
| 10              | 141-1035        | VALVE,CHECK,INSERT,3/4"M X1/2"F          | 2           |
| 11              | 121-1015        | ELBOW,MALE,BRASS,5/8-45SAEX1/2"NPTM      | 2           |
| 12              | 360-1176        | AFTERCOOLER,HOSE,SS,TEFLON,5/8"ODX28"L   | 1           |
| 13              | 360-1173        | AFTERCOOLER,HOSE,SS,TEFLON,5/8"ODX24-1/2 | 1           |
| 14              | 122-1063        | ELBOW,FEMALE,MI,PLTD,45 DEG,1/2"NPT      | 2           |
| 15              | 330-1020        | STARTER,1P,25A,115V,ASSY,SVC,MGSA-1-115  | 2           |
|                 | 140-1028-E56    | OVERLOAD,HEATER,STARTER,MAGNETIC,E60     | 2           |
| 16              | 320-1080        | BRACKET MAG STARTER 6X12                 | 2           |
| 17              | 120-1113        | NUT,HEX,STEEL,PLATED,1/4-20              | 8           |
| 18              | 120-1003        | SCREW,CAP,HEX HD,GR2,ST,BLK,1/4-20X3/4   | 8           |
| 19              | 120-1018        | SCREW,FLANGE,HEX,SERR,ST,PLD,5/16-18X3/4 | 4           |
| 20              | 120-1119        | NUT,LOCK,FLANGE,HEX,SERR,ST,PLTD,5/16-18 | 4           |
| 21              | 140-1088-01     | RELAY,ALTERNATING,AUTO,600V,12A,115VAC   | 1           |
| 21*             | 140-1088-02     | RELAY,ALTERNATING,AUTO,600V,12A,230VAC   | 1           |
| 21**            | 140-1088-03     | RELAY,ALTERNATING,AUTO,600V,12A,460VAC   | 1           |
| 22              | 123-1032        | CONNECTOR,CABLE,BX,90 DEG,3/8"           | 8           |

## Parts List for Model 2(GT2C)-60C Single & Three Phase

NOTE: The quantity number indicates the total number of pieces required for a complete unit repair.

When ordering parts give compressor model, serial number and part number. Order assemblies when possible.

| <u>REF. NO.</u> | <u>PART NO.</u> | <u>DESCRIPTION</u>                       | <u>QTY.</u> |
|-----------------|-----------------|--|-------------|
| 23              | 120-1119        | NUT,LOCK,FLANGE,HEX,SERR,ST,PLTD,5/16-18 | 8           |
| 24              | 120-1018        | SCREW,FLANGE,HEX,SERR,ST,PLD,5/16-18X3/4 | 8           |
| 25*             | 130-1018        | MOTOR,2HP,115-230/60/1,1740RPM,ODP       | 2           |
| 25**            | 130-1020        | MOTOR,2HP,200-208/60/3,1725RPM,ODP       | 2           |
| 25***           | 130-1021        | MOTOR,2HP,230-460/50-60/3,1725RPM,ODP    | 2           |
| 25***           | 130-1020        | MOTOR,2HP,200-208/60/3,1725RPM,ODP       | 2           |
| 26              | 154-1045        | PULLEY,CI,DG,4.2PDA,7/8ID,2AK46X7/8      | 2           |
| 27              | 120-1108        | KEY,STEEL,BLACK,3/16X3/16X 1-1/2" LENGTH | 2           |
| 28              | 154-4L580       | BELT,VEE,A52,4L-580                      | 4           |
| 29              | 122-1116        | NIPPLE,CLOSE,STEEL,SCH 80,PLATED,1/2"    | 2           |
| 30              | 320-1121        | FILTER,W/DECALS,ASSY,G154S               | 4           |
| 31              | 421-1819        | PUMP,CMPRSR,PISTON,REPLCMT,BLUE,GT       | 2           |
| 32              | 120-1116        | NUT,LOCK,FLANGE,HEX,SERR,ST,PLTD,1/4-20  | 8           |
| 33              | 120-1220        | SCREW,CAP,HEXHD,GR5,ST,PLD,1/4-20X1-3/4  | 8           |
| 34              | 122-1034        | NIPPLE,STEEL,SCH 40,1/4" X 5" L          | 2           |
| 35              | 122-1126        | CAP,HEX,MI,PLATED,1/4"NPT                | 2           |
| 36              | 120-1116        | NUT,LOCK,FLANGE,HEX,SERR,ST,PLTD,1/4-20  | 4           |
| 37              | 120-1072        | WASHER,FENDER,ST,PLATED,1/4"X1-1/2"OD    | 2           |
| 38              | 120-1267        | SCREW,PAN HD,PHIL,STEEL,PLTD,1/4-20 X 1" | 6           |
| 39              | 120-1177        | SCREW,SELF DRILL,HEX,ST,PL,12 X 3/4      | 14          |
| 40              | 120-1075        | WASHER,FLAT,STEEL,PLATED,5/16"           | 8           |
| 41              | 320-1179        | BELTGUARD,G&GC,W/PAN,3.38WX14.63HX28LG   | 2           |
| 42              | 120-1119        | NUT,LOCK,FLANGE,HEX,SERR,ST,PLTD,5/16-18 | 4           |
| 43              | JD3856          | PLUG,HOLE,PLASTIC,BLACK,7/8"             | 2           |

## Parts List for Model 2(GT2C)-60C Single & Three Phase

NOTE: The quantity number indicates the total number of pieces required for a complete unit repair.

When ordering parts give compressor model, serial number and part number. Order assemblies when possible.

| <u>REF. NO.</u> | <u>PART NO.</u> | <u>DESCRIPTION</u>                        | <u>QTY.</u> |
|-----------------|-----------------|---|-------------|
| 44              | 220-1122        | BLOCK,MANIFOLD,ZINC,6 HOLE,TAPPED,MC-6    | 1           |
| 45              | 141-1098        | VALVE,BALL,DRAIN,1/4 TURN,1/4"M           | 1           |
| NOT SHOWN       | 610-1225        | KIT,ELEMENT,FILTER,G54E,PKG OF 4,G54EP    | 1           |
| NOT SHOWN       | 105-1209        | OIL,PUMP,SYNTHETIC,BLUE,1 QUART,ESQ       | 2           |
| NOT SHOWN       | 330-1023        | MAG STRT,25A 3P 460V,SVC RPLM,MGSA-3-460  | 1           |
|                 | 140-1028-E38    | OVERLOAD,HEATER,STARTER,MAGNETIC,E38      | 3           |
| NOT SHOWN       | 330-1022        | MAG STR,25A,3P,200/208/230V,MGSA-3-230    | 1           |
|                 | 140-1028-E46    | OVERLOAD,HEATER,STARTER,MAGNETIC,E47 230V | 3           |
|                 | 140-1028-E51    | OVERLOAD,HEATER,STARTER,MAGNETIC,E51 200V | 3           |
| NOT SHOWN       | 330-1021        | STARTER,1P,25A,0.33-0.75,SVC,MGSA-1-230   | 1           |
|                 | 140-1028-E55    | OVERLOAD,HEATER,STARTER,MAGNETIC,E51 200V | 1           |

NOTE:

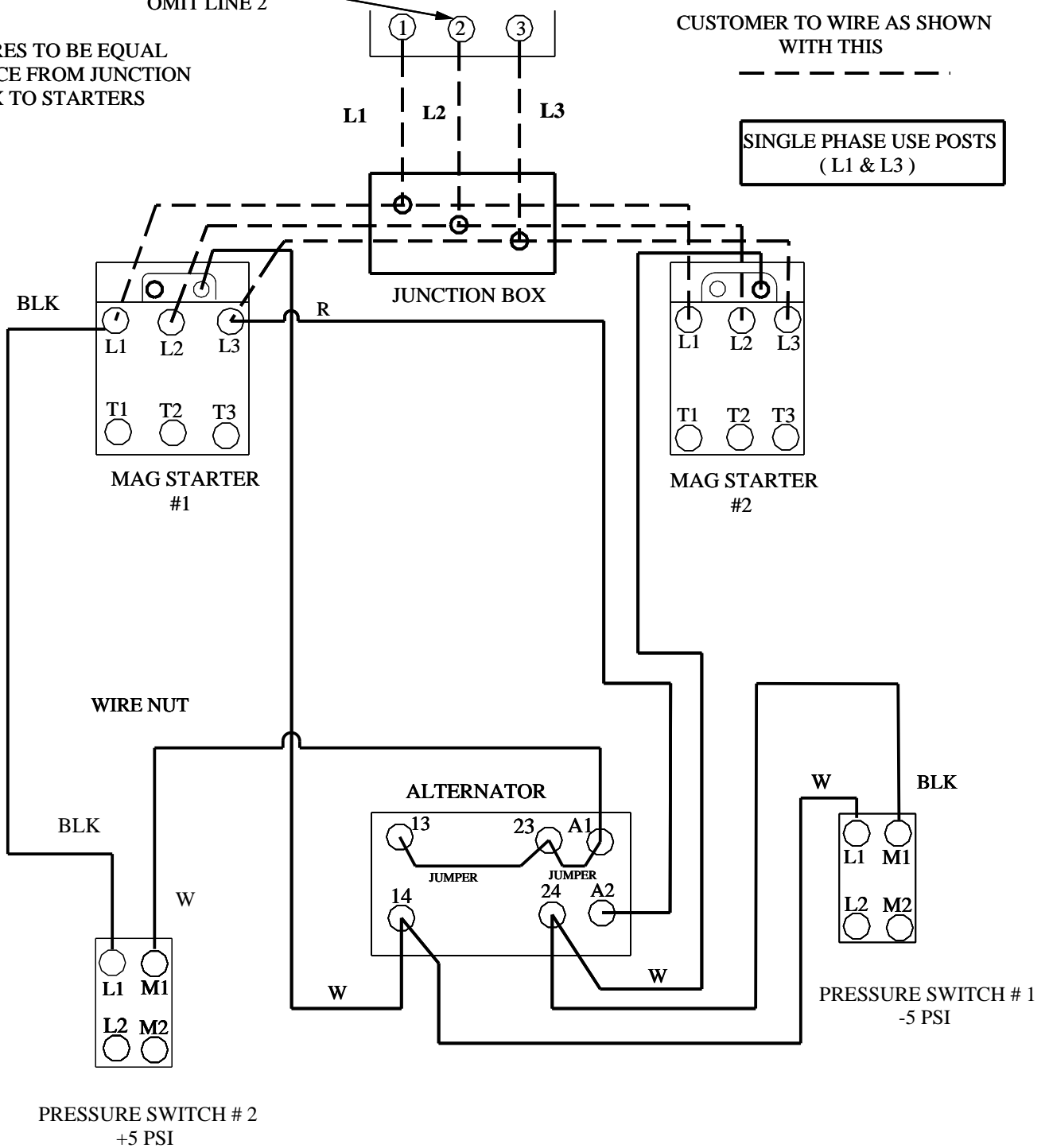
1. WIRES TO BE EQUAL DISTANCE FROM JUNCTION BOX TO STARTERS

SINGLE PHASE OMIT LINE 2

YOUR POWER SOURCE

CUSTOMER TO WIRE AS SHOWN WITH THIS

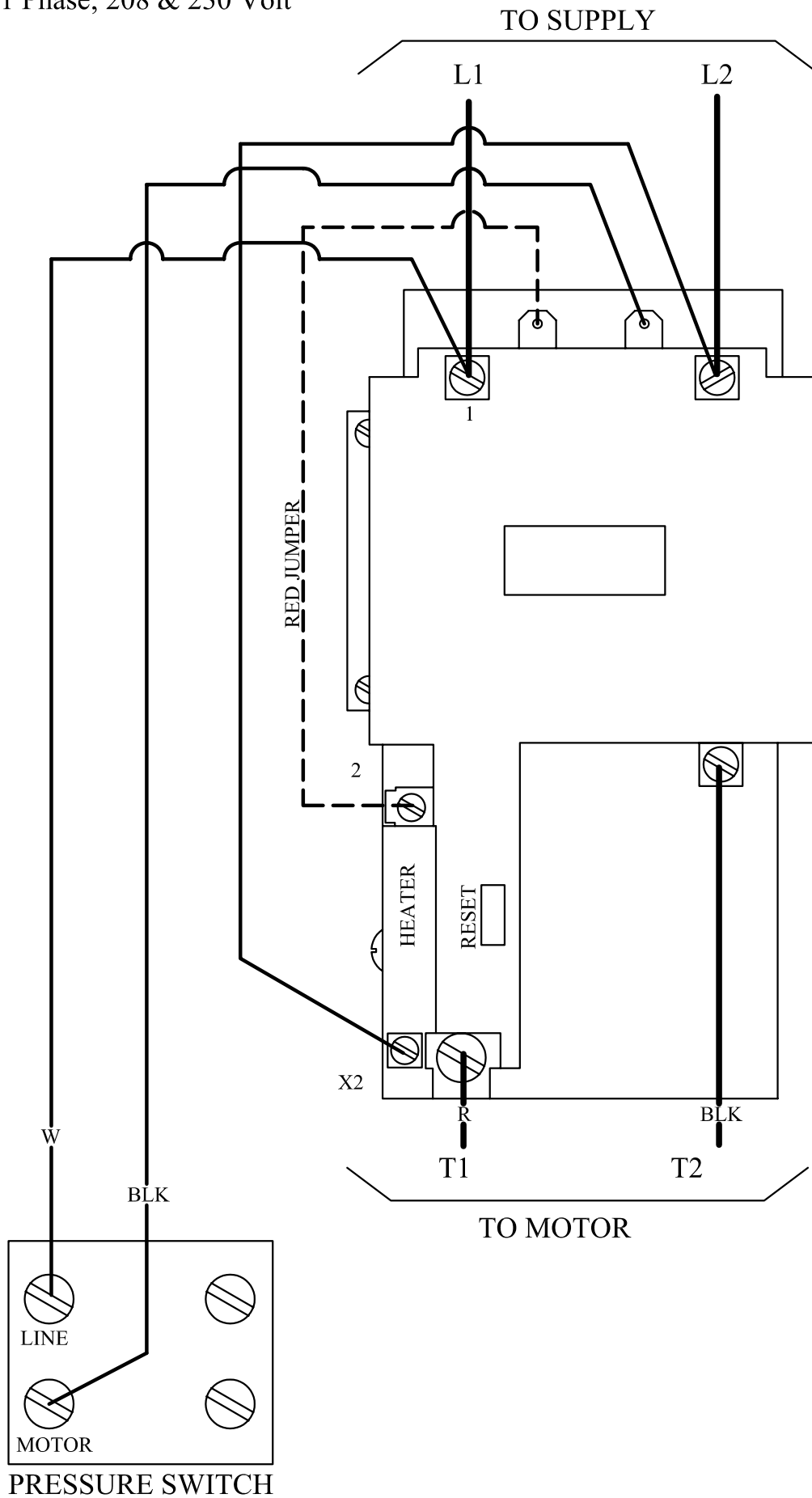
SINGLE PHASE USE POSTS (L1 & L3)



| Itm  | Qty | Description  | Dwg No            | Material       | Size |
|--|-----|--------------|-------------------|----------------|------|
| DESIGN                                       |     |              |                   |                |      |
| DRAWN  |     | Rodney Kniss | 11/24/05          |                |      |
| CHECKED                                      |     |              |                   |                |      |
| APPROVED                                     |     |              |                   |                |      |
| STANDARD TOLERANCES (UNLESS OTHERWISE NOTED) |     |              | TITLE             |                |      |
| INCHES                                       |     |              | DUPLX WIRE DIGRAM |                |      |
| METRIC                                       |     |              |                   |                |      |
| .X=±.030 .XXX=±.005 .X=±.10 .XXX=±.01        |     |              |                   |                |      |
| .XX=±.015 .XXXX=±.0005 .XX=±.05 .XXXX=±.02   |     |              |                   |                |      |
| ANGLES=±1/4°                                 |     |              |                   |                |      |
| MACHINE FINISH- v125                         |     |              |                   |                |      |
| FILENAME                                     |     |              | SCALE             | DRAWING NUMBER | SIZE |
|  |     |              | NTS               |                | SH 1 |
|  |     |              |                   |                | OF 1 |
|  |     |              |                   |                | REV. |

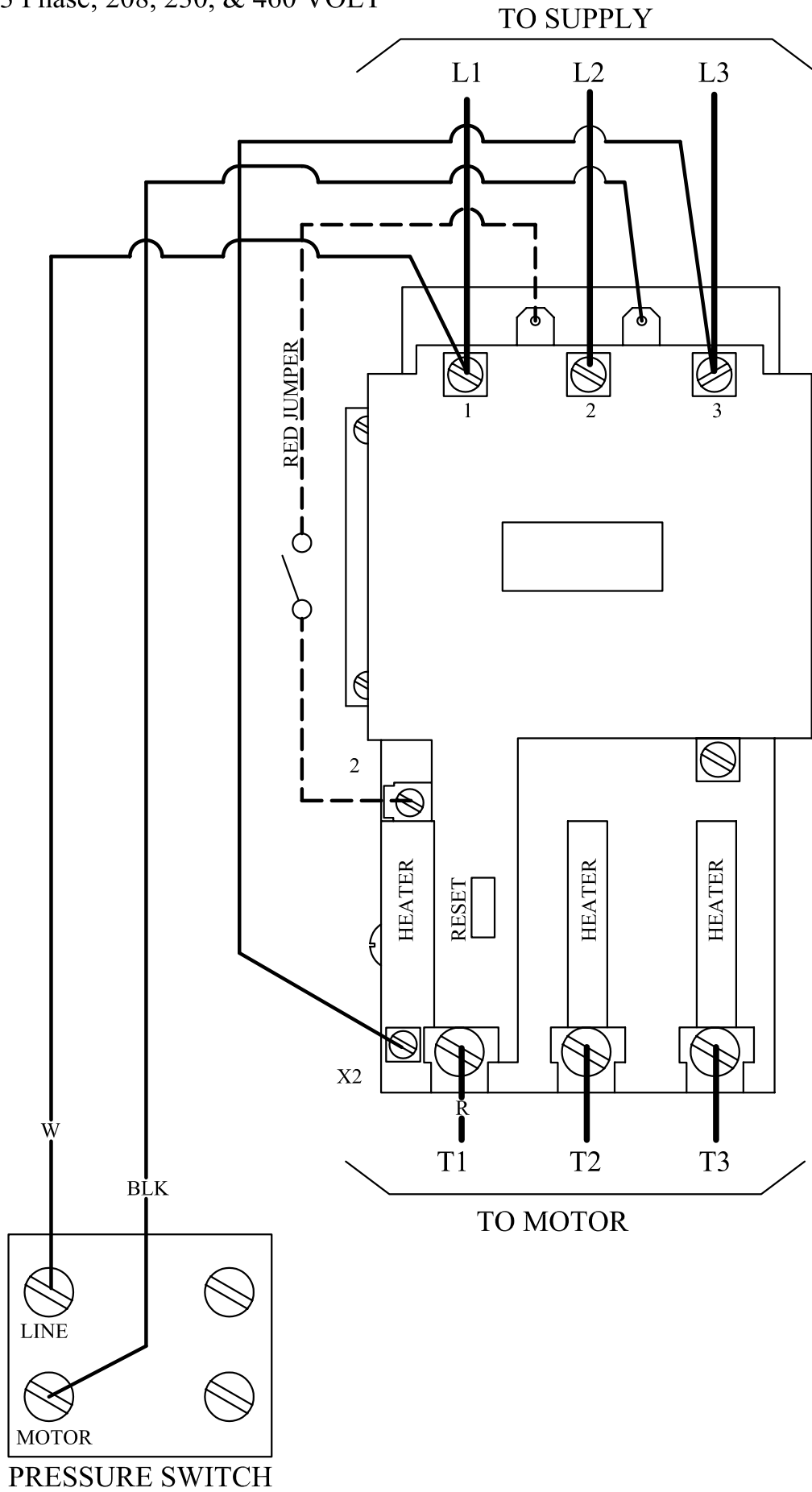
# MAGNETIC STARTER WIRING DIAGRAM

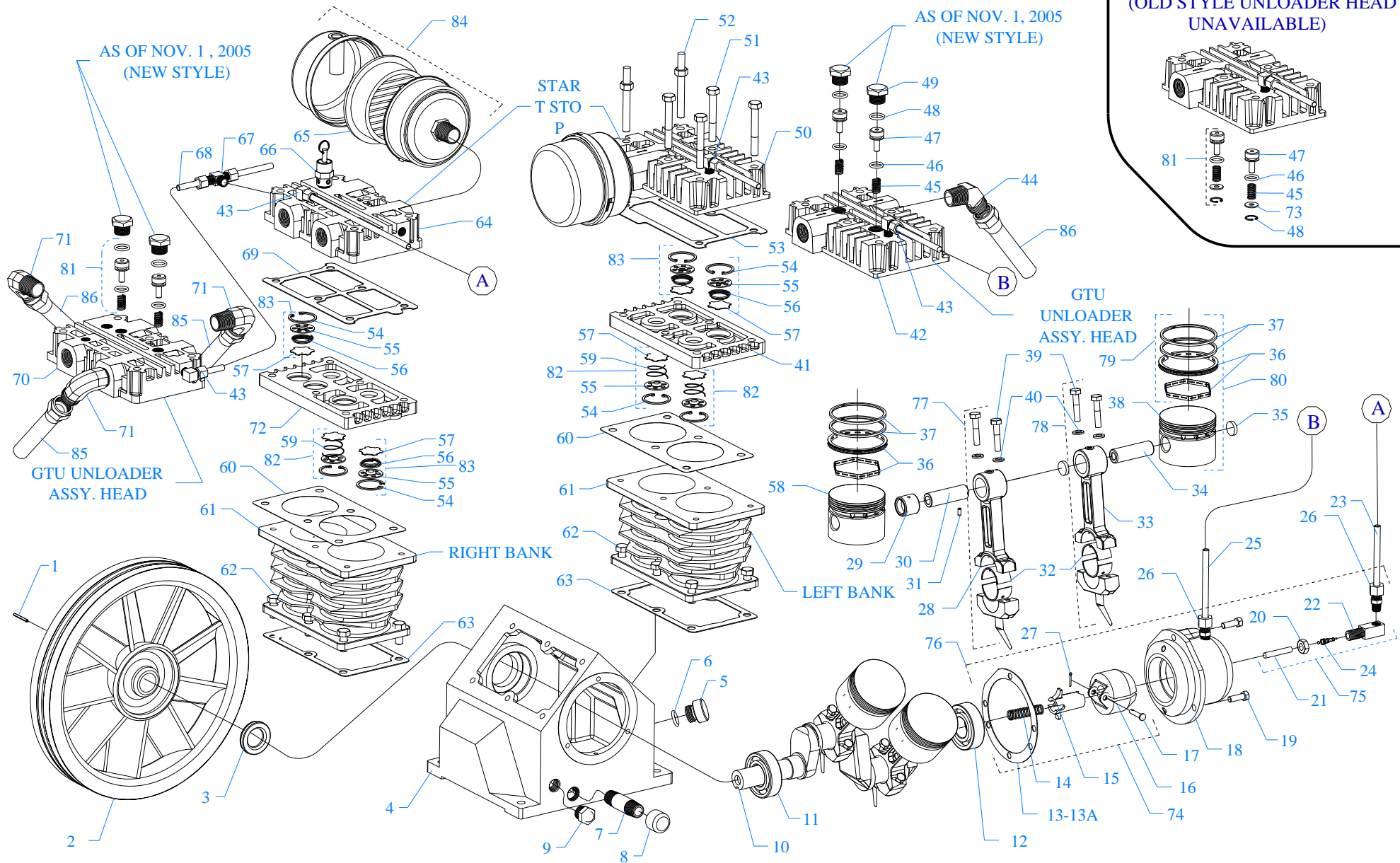
1 Phase; 208 & 230 Volt



# MAGNETIC STARTER WIRING DIAGRAM

3 Phase; 208, 230, & 460 VOLT





MODEL GT & GTU  
 Four Cylinder - Two Stage  
 2-1/2 (3) - 2-1/2 Bore X 2-3/8 Stroke

## Parts List for Model GT, GTU

NOTE: The quantity number indicates the total number of pieces required for a complete unit repair.  
When ordering parts give compressor model, serial number and part number. Order assemblies when possible.

| <u>REF. NO.</u> | <u>PART NO.</u> | <u>DESCRIPTION</u>                               | <u>QTY.</u> |
|-----------------|-----------------|--|-------------|
| 1               | 120-1163        | PIN,ROLLED,COILED,STL,BLK,1/4ODX1L,K25           | 1           |
| 2               | 220-1090        | FLYWHEEL,GT PUMP,CI,13-1/4,2 GROOVE,G23          | 1           |
| 3               | 150-1036        | SEAL,OIL,LIP,SINGLE,0.875 DIA,K11E               | 1           |
| 4               | 220-1034        | CRANKCASE,Y PUMP,CI,MACHINED,Y1A                 | 1           |
| 5               | 610-1029        | PLUG,CRANKCASE,FILL,OIL,W/O-RING,K14             | 1           |
| 6               | 104-1016        | RING,O,BUNA-N,5/8"IDX13/16"ODX3/32"THK           | 1           |
| 7               | 122-1037        | NIPPLE,STEEL,SCH 40,3/8" X 2" L                  | 1           |
| 8               | 122-1084        | CAP,FEMALE,MI,3/8"NPT                            | 1           |
| 9               | 160-1052        | GAUGE,SIGHT,LEVEL,OIL,1/2"NPT                    | 1           |
| 10              | 610-1399        | CRANKSHAFT,Y PUMP,CI,PAINTED,BLUE,Y20A           | 1           |
| 11              | 150-1000        | BEARING,BALL,K9                                  | 1           |
| 12              | 150-1008        | BEARING,BALL,L9                                  | 1           |
| 13              | 104-1000-01     | GASKET,CAP,BEARING,F&K&G PUMP,1/32THK,L3         | 1           |
| 13A             | 104-1000-02     | GASKET,CAP,BEARING,F&K&G PUMP,1/64THK,L4         | 1           |
| 14              | 150-1081        | COIL SPRING C/U UNLOADER ZN                      | 1           |
| 15              | 220-1049        | TUBE,OPERATING,CENTRIFICAL UNLOADER,EQ71         | 1           |
| 16              | 610-1167        | UNLOADER,CENTRIFUGAL,WEIGHT,SET,EQ70             | 1           |
| 17              | 610-1066        | PIN,PIVOT,UNLDR,CNTRFCL,W/CTTR PIN,EQ73          | 1           |
| 18              | 220-1076        | CAP,BEARING,D PUMP,CI,MACHINED,D2                | 1           |
| 19              | 120-1002        | SCREW,CAP,HEXHD,GR5,ST,BLK,1/4-20X5/8 (10 FT-LB) | 3           |
| 20              | 120-1171        | NUT,HEX,JAM,STEEL,PLATED,7/16-20,EQ74C           | 1           |
| 21              | 220-1050        | PIN,UNLOADER,CENTRIFICAL,EQ74D                   | 1           |
| 22              | 150-1035        | BODY,UNLOADER,EQ74B                              | 1           |

## Parts List for Model GT, GTU

NOTE: The quantity number indicates the total number of pieces required for a complete unit repair.  
When ordering parts give compressor model, serial number and part number. Order assemblies when possible.

| <u>REF. NO.</u> | <u>PART NO.</u> | <u>DESCRIPTION</u>   | <u>QTY.</u> |
|-----------------|-----------------|--|-------------|
| 23              | 610-1120        | TUBE,UNLOADER,CENTRIFUGAL,EQ PMP,CU,EQ78                   | 1           |
| 24              | 120-1170        | VALVE,CORE,EQ74A   | 1           |
| 25              | 610-1137        | TUBE,BREATHER,CU,BENT,MGU&GCU&GTU,L18                      | 1           |
| 26              | 121-1025        | CONNECTOR,MALE,COMPRESSION,BR,1/4TBX1/8"                   | 2           |
| 27              | 120-1169        | PIN,COTTER,ST,BLACK,1\16DIA X1\2LG,EQ73B                   | 1           |
| 28              | 310-1010        | ROD,CONNECTING,AL,REPLACEMENT,EQ,L21W                      | 1           |
| 29              | 150-1034        | BEARING,NEEDLE,EQ38  | 1           |
| 30              | 150-1039        | PIN,PISTON,STEEL,EQ35                                      | 1           |
| 31              | 120-1165        | PIN,ROLLED,STEEL,BLACK,1/8ODX5/16L,EQ37                    | 1           |
| 32              | 150-1011        | BEARING,ROD,CONNECTING,PUMP,F,K,G                          | 8           |
| 33              | 310-1001-02     | ROD,CONNECTING,WO/BRNG INSERT,L21L&L21K                    | 3           |
| 34              | 150-1005        | PIN,PISTON,STEEL,HARDENED,K35                              | 3           |
| 35              | 104-1103        | BUMPER,WRIST PIN,PLASTIC,K36A                              | 6           |
| 36              | 610-1065        | KIT,RING,OIL,W/EXPANDER,ASSY,K34                           | 4           |
| 37              | 150-1003        | RING,COMPRESSION,PISTON,STEEL,EBA 22,K33                   | 8           |
| 38              | 220-1005        | PISTON,PUMP,ALUMINUM,MACHINED,K32                          | 3           |
| 39              | 610-1047        | SCREW,ROD,STEEL,W/LOCK WASHER,1/4-20,L22<br>( 10 FT - LB ) | 8           |
| 40              | 120-1068        | WASHER,LOCK,SPLIT,ST,BLK,HIGH CLLR,1/4"                    | 8           |
| 41              | 220-1013        | PLATE,VALVE,L PUMP,CI,MACHINED,L40                         | 1           |
| 42              | 220-1016        | HEAD,UNLOADING,G PUMP,CI,6HOLES,LU80<br>LEFT HAND HEAD     | 1           |
| 43              | 121-1032        | ELBOW,MALE,COMPRESSION,BR,1/4TBX1/8"NPTM                   | 2           |
| 44              | 121-1108        | ELBOW,BRASS,MALE,45DEG,1/2-45SAEX1/2"NPT                   | 1           |

## Parts List for Model GT, GTU

NOTE: The quantity number indicates the total number of pieces required for a complete unit repair.  
When ordering parts give compressor model, serial number and part number. Order assemblies when possible.

| <u>REF. NO.</u> | <u>PART NO.</u> | <u>DESCRIPTION</u>  | <u>QTY.</u> |
|-----------------|-----------------|---|-------------|
| 45              | 150-1020        | SPRING, VALVE, UNLOADER, INTAKE, KU83                     | 4           |
| 46              | 104-1020        | RING, O, SILICON, 7/16"IDX5/8"ODX3/32"THK                 | 4           |
| 47              | 150-1028        | PISTON, UNLOADER, VALVE, CHECK, BRASS, KU81               | 4           |
| 48              | 104-1015        | RING, O, BUNA-N, 1/2"IDX11/16"ODX3/32"THK                 | 4           |
| 49              | 122-1051        | PLUG, HEX , BRASS, 11/16-16 UN-2B X .550                  | 4           |
| 50              | 310-1022        | HEAD, START/STOP, GT PUMP                                 | 1           |
| 51              | 120-1028        | SCREW, CAP, HEXHD, GR5, ST, BLK, 5/16-18X2-1/4 ( 22FT-LB  | 10          |
| 52              | 120-1252        | BOLT, STUD, HEX, ST, 5/16-18X2-1/4X5/8, K52-1 ( 22FT-LB ) | 2           |
| 53              | 104-1008        | GASKET, HEAD, K&G&W PUMP, 1/32THK, L51                    | 1           |
| 54              | 50-1041         | RETAINER, VALVE, STEEL, PAS, 0.062"THK, K43               | 9           |
| 55              | 109-1010        | VALVE, CHECK, BUMPER, STEEL, K44                          | 9           |
| 56              | 150-1018        | SPRING, CONE, SS, VALVE, DISCHARGE, K46                   | 6           |
| 57              | 109-1011        | VALVE, DISC, STAINLESS STEEL, K47                         | 9           |
| 58              | 220-1042        | PISTON, PUMP, AL, MACHINED, 2 STAGE, K32W                 | 1           |
| 59              | 150-1017        | SPRING, CONE, SS, VALVE, INTAKE, K45                      | 3           |
| 60              | 104-1007        | GASKET, PLATE, VALVE, K&G&W PUMP, 1/32TK, L41             | 2           |
| 61              | 360-1150        | CYLINDER K30 BLUE EMGLO REPLACEMENT                       | 2           |
| 62              | 120-1017        | SCREW, CAP, HEXHD, GR5, ST, BLK, 5/16-18X3/4 (15 FT-LB)   | 12          |
| 63              | 104-1006        | GASKET, CYLINDER, K&G&W PUMP, 1/32THK, K31                | 2           |
| 64              | 310-1022        | HEAD, START/STOP, GT PUMP                                 | 1           |
| 65              | 150-1104        | ELEMENT, FILTER, AIR, G54E                                | 2           |
| 66              | 141-1018        | VALVE, SAFETY, ASME, 1/4", 65 PSI                         | 1           |
| 67              | 121-1039        | TEE, BRANCH, BRASS, 1/4"TBX1/4"TBX1/8"NPTM                | 1           |

## Parts List for Model GT, GTU

NOTE: The quantity number indicates the total number of pieces required for a complete unit repair.  
When ordering parts give compressor model, serial number and part number. Order assemblies when possible.

| <u>REF. NO.</u>   | <u>PART NO.</u> | <u>DESCRIPTION</u>   | <u>QTY.</u> |
|-------------------|-----------------|--|-------------|
| 68                | 610-1121        | TUBING,UNLOADER,HEAD-HEAD,MGU PUMP,LU88  | 1           |
| 69                | 104-1013        | GASKET,HEAD,K&G&W PUMP,1/32THK,EQ51<br>RIGHT HAND HEAD                                   | 1           |
| 70                | 220-1043        | HEAD,UNLOADING,EQ PUMP,CI,6HOLES,EQ80<br>RIGHT HAND HEAD                                 | 1           |
| 71                | 121-1013        | ELBOW,MALE,BRASS,1/2-45SAEX1/2"NPTM  | 3           |
| 72                | 220-1041        | PLATE,VALVE,W PUMP,CI,MACHINED,W40   | 1           |
| 73                | 150-1042        | WASHER,BRASS,1/32X 0.605ODX1/4 ID,KU84   | 4           |
| <b>Assemblies</b> |                 |  |             |
| 74                | 610-1015        | UNLOADER,CENTRIFICAL,PUMP,ASSY,EQ170 W / GASKET,<br>INCLUDES 13, 13A, 14, 15, 16, 17, 27 | 1           |
| 75                | 310-1016        | VALVE,UNLOADER,CENTRIFICAL,ASSY,EQ174<br>INCLUDES 20, 21, 22, 24                         | 1           |
| 76                | 610-1060        | UNLOADER,CENTRIFICAL,W/B CAP,ASSY,Y175<br>INCLUDES 18, 19(3), 74, 75                     | 1           |
| 77                | 310-1044        | ROD,CONNECTING,W/INSRT,HI PSI,L21L&L21K<br>INCLUDES 28, 32(2), 39(2), 40(2)              | 1           |
| 78                | 310-1043        | ROD,CONNECTING,W/BEARNG INSERT,L21L&L21K<br>INCLUDES 32(2), 33, 39, 40                   | 3           |
| 79                | 610-1020        | KIT,PUMP,RING,PISTON,F&K&G&W PUMP,K133<br>INCLUDES 36, 37(2)                             | 4           |
| 80                | 610-1028        | PISTON,W/RINGS&PIN,ASSY,K132 ( LP )<br>INCLUDES 34, 35(2), 36, 37(2)                     | 3           |
| 81                | 610-1042        | VALVE,UNLOADER,HEAD,PUMP,ASSY,KU181<br>INCLUDES 45, 46, 47, 48, 73                       | 4           |
| 82                | 610-1031        | VALVE,SUCTION,ASSY,K145<br>INCLUDES 54, 55, 57, 59                                       | 3           |
| 83                | 610-1032        | VALVE,DISCHARGE,ASSY,K146<br>INCLUDES 54, 55, 56, 57                                     | 6           |

## Parts List for Model GT, GTU

NOTE: The quantity number indicates the total number of pieces required for a complete unit repair.  
When ordering parts give compressor model, serial number and part number. Order assemblies when possible.

| <u>REF. NO.</u> | <u>PART NO.</u> | <u>DESCRIPTION</u>                       | <u>QTY.</u> |
|-----------------|-----------------|--|-------------|
| 84              | 320-1121        | FILTER,W/DECALS,ASSY,G154S               | 2           |
| 85              | 610-1057        | INTERCOOLER,FINNED,W/FLARE NUTS,ASY,EQ65 | 1           |
| 86              | 610-1056        | INTERCOOLER,FINNED,W/FLARE NUTS,ASY,EQ62 | 1           |
| NOT SHOWN       | 105-1209        | OIL,PUMP,SYNTHETIC,BLUE,1 QUART,ESQ      | 1           |
| NOT SHOWN       | 610-1226        | KIT,FILTER,ASSY,G154,PKG OF 4,G154P      | 1           |
| NOT SHOWN       | 610-1186        | KIT,ELEMENT,FILTER,L54E,PKG OF 4,L54EP   | 1           |
| NOT SHOWN       | 150-1010        | ELEMENT,FILTER,AIR,COMPRESSOR,JENNY,L54E | 1           |