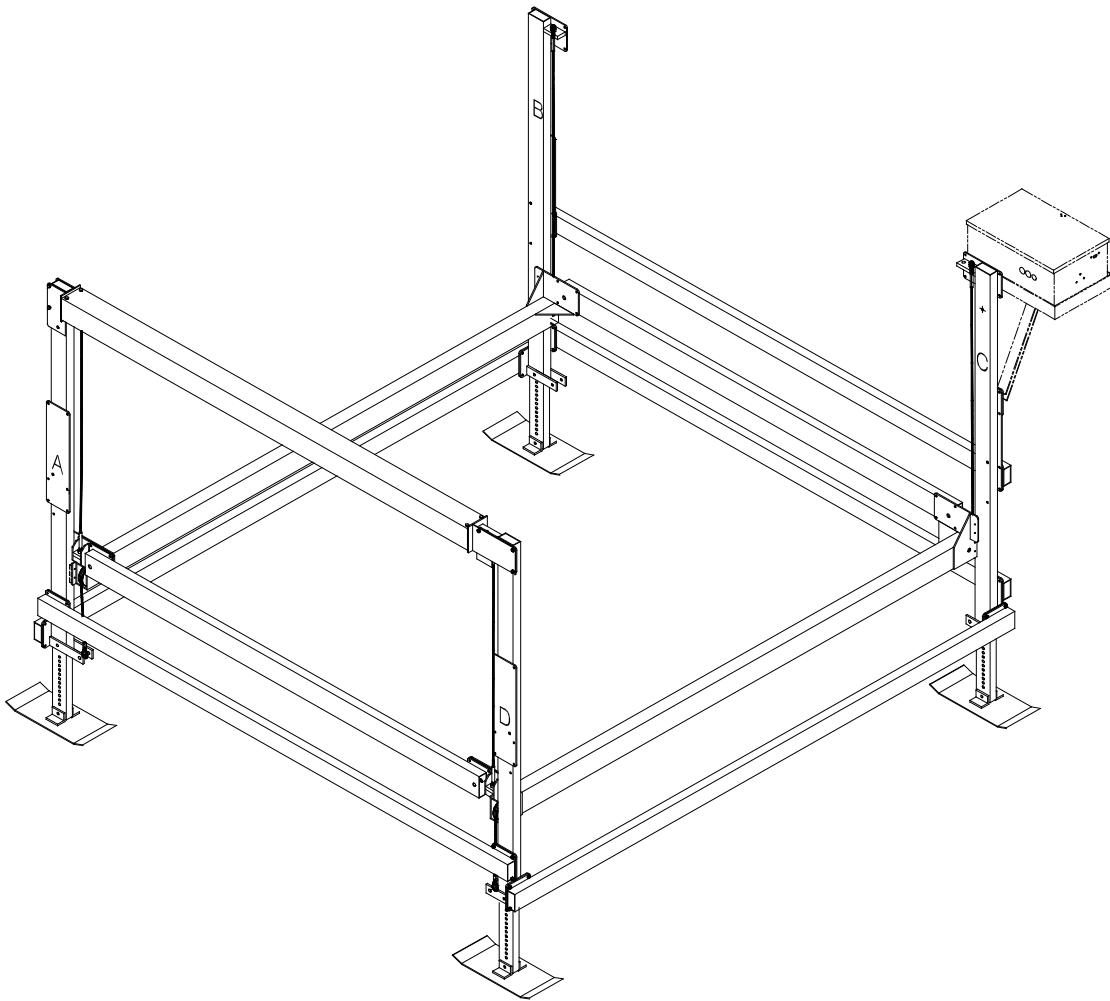




HVL5K & HVL5K TALL HYDRAULIC VERTICAL LIFT INSTRUCTIONS 2013



REIMANN & GEORGER CORPORATION
MARINE PRODUCTS
P/N 6112242

BUFFALO, NY
05/23/17

7 PARTS LISTS

Each reference number or letter in the following parts lists can be matched with the reference number or letter referred to in both the text and illustrations of Chapter 3, Installation and Setup.

7.1 #3641040 HVL 50124 BOAL LIFT BUNDLES

7.1.1 #3641114 HVL 50124 '13 Bundle 1 of 3

REF #	PART #	QTY	DESCRIPTION
1	3603809	4	VL FOOT PLATE ASSY-SMALL
2	3689702	4	VL LOWER DIAG BRACE 31-1/4" FORMED '13
3	3641455	1	VL VERTICAL LEG (A) ASSY 5K
4	3641350	1	HVL VERTICAL LEG (B) ASSY 5K
5	3641460	1	VL VERTICAL LEG (C) ASSY 5K
6	3605912	1	VL VERTICAL LEG (D) ASSY 5K

7.1.2 #3641117 HVL 50124 COM '13 Bundle 2 of 3

REF #	PART #	QTY	DESCRIPTION
7	3603883	3	VL HORIZONTAL TUBE 124" 4-7K
8	3689714	2	VL HORIZ WLDMT 132" (6X10.5) (1/8")
9	3641325	1	HVL SPREADER TUBE ASSY (BC) 5K
10	3605902	1	VL SPREADER TUBE ASSY (AD) 5K

7.1.3 #3641115 HVL 50124 Bundle 3 of 3

REF #	PART #	QTY	DESCRIPTION
11	3641315	1	HVL LOAD TUBE ASSY A-B 50124
12	3641320	1	HVL LOAD TUBE ASSY C-D 50124
15	3641345	1	HVL CYLINDER /HOSE ASSEMBLY see section 7.6

7.2 #3641045 HVL 50124 TALL BOAL LIFT BUNDLES

7.2.1 #3641121 HVL 50124 TALL '13 Bundle 1 of 3

REF #	PART #	QTY	DESCRIPTION
1	3603809	4	VL FOOT PLATE ASSY-SMALL
2	3689705	4	VL LOWER DIAG BRACE-43" FORMED '13
3	3641465	1	HVL VERTICAL LEG (A) ASSY 5K TALL
4	3641355	1	HVL VERTICAL LEG (B) ASSY 5K TALL
5	3641470	1	HVL VERTICAL LEG (C) ASSY 5K TALL
6	3605911	1	VL VERTICAL LEG (D) ASSY 5K TALL

7.2.2 #3641117 HVL 50124 COM '13 Bundle 2 of 3

REF #	PART #	QTY	DESCRIPTION
7	3603883	3	VL HORIZONTAL TUBE 124" 4-7K
8	3689714	2	VL HORIZ WLDMT 132" (6X10.5") (1/8")
9	3641325	1	HVL SPREADER TUBE ASSY (BC) 5K
10	3605902	1	VL SPREADER TUBE ASSY (AD) 5K

7.2.3 #3641125 HVL 50124 TALL Bundle 3 of 3

REF #	PART #	QTY	DESCRIPTION
11	3641360	1	HVL LOAD TUBE ASSY A-B 50124 TALL
12	3641365	1	HVL LOAD TUBE ASSY C-D 50124 TALL
	3641380	1	HVL CYLINDER & HOSE ASSY 5K TALL, See Section 7.9

7.3 VL EXTENSION LEGS

REF #	PART #	QTY	DESCRIPTION
13	as ordered	4	VL EXTENSION LEGS 29-1/2"-10'

7.4 #3641214 HVL / HARDWARE CARTON 5K

REF #	PART #	QTY	DESCRIPTION
	3641215	1	HVL MOUNTING S.S. BAG OF BOLTS consisting of:
A	5896257	2	3/8-16 X 3-1/2 HHCS
B	5896406	2	3/8 WASHER SAE
C	5806243	2	3/8 WASHER SPLIT LOCK
D	5803638	2	3/8-16 NUT HEX SILICON BRONZE
E	5896290	1	1/2-13 X 3-1/2 HHCS
F	5896400	1	1/2 WASHER SAE
G	5806244	1	1/2 WASHER SPLIT LOCK
H	5803612	1	1/2-13 NUT HEX SILICON BRONZE
AA	5896309	2	5/8-11 X 2" HHCS
AB	5896414	2	5/8 WASHER SAE
AC	5806246	2	5/8 WASHER SPLIT LOCK
AD	5896380	2	5/8-11 NUT HEX
AH	5800867	8	HOSE CLAMP
17	3641405	2	ANCHOR WELDMENT
16	9703593	4	VL THREE HOLE PLATE
I	3629961	1	VL HITCH PIN SET (4 PINS)
	3641275	1	HVL CAP BAG: INCLUDES THE FOLLOWING
	6403794	4	CAP PLASTIC—2 X 4
	6403795	2	CAP PLASTIC—1-1/2 X 3
R	3641620	2	HVL CAP PLASTIC 2 X 4 X 1/8W -HOLE
	3689357	4 Pkgs.	VL CORNER HARDWARE 3.5-6K09 SS BOB '13
J	5896247	18	3/8-16 X 1" HHCS
K	5896255	1	3/8-16 X 3" HHCS
L	5896288	1	1/2-13 X 3" HHCS
M	5840103	19	3/8-16 LOCKNUT NYLOCK ALUM
N	5836107	1	1/2-13 LOCKNUT NYLOCK ALUM
	3641210	1 Pkg.	HVL CABLE HARDWARE 5K consisting of:
P	5896248	8	3/8-16 X 1-1/4" HHCS
T	5896306	2	5/8-11 X 3-1/2" HHCS
U	5896414	2	5/8 WASHER SAE
V	5806246	2	5/8 WASHER SPLIT LOCK
W	5896380	2	5/8-11 NUT HEX
O	5896397	8	9/16-12 NUT HEX

7.5 HVL POWER UNITS

REF #	PART #	QTY	DESCRIPTION
29	3641611	1	HVL CONTROL BOX 12V DC (STANDARD)
	3641614	1	HVL CONTROL BOX 120V AC (OPTIONAL)

7.6 3641220 HVL5K POWER UNIT SHELF & HARDWARE (OPTIONAL)

REF #	PART #	QTY	DESCRIPTION
20	3641415	1	HVL SHELF FRAME
21	3641525	1	HVL SHELF DIAG. BRACE
22	4100583	1	HVL SHELF BRACKET
	3641225	1	HVL SHELF BAG OF BOLTS consists of following:
AE	5896248	4	3/8-16 X 1-1/4" HHCS
AF	5840103	8	3/8-16 LOCKNUT NYLOCK ALUM
AG	5896247	4	3/8-16 x 1" HHCS

7.7 3641280 HVL5K X-TALL POWER UNIT SHELF & HARDWARE (OPTIONAL)

REF #	PART #	QTY	DESCRIPTION
20	3641415	1	HVL SHELF FRAME
21	3641532	1	HVL SHELF DIAG. BRACE X-TALL
22	4100583	1	HVL SHELF BRACKET
	3641225	1	HVL SHELF BAG OF BOLTS consists of following:
AE	5896248	4	3/8-16 X 1-1/4" HHCS
AF	5840103	8	3/8-16 LOCKNUT NYLOCK ALUM
AG	5896247	4	3/8-16 x 1" HHCS

7.8 #3641345 HVL 5K HYDRAULIC CYLINDER ASSEMBLY – See Figure 7.1A

REF #	PART #	QTY	DESCRIPTION
1	6036419	1	Hydraulic Cylinder 3" bore x 30" stroke
3	7393613	1	Bushing Sleeve 7/8" OD x 1.47" lg
4	5896415	2	5/8" USS Washer
5	6036418	1	Flow Regulator
6	5896414	1	5/8" SAE Washer
7	5806246	1	5/8" Lockwasher
8	5896380	1	5/8-11 Hex Nut
9	5896264	4	3/8-16 x 5-1/2" lg HHCS
10	5616803	1	SAE-8 Hollow Plug
11	3641765	1	Cylinder Clevis pin 3-7/8" lg
12	5840103	6	3/8-16 Hex Locknut alum
13	7308881	1	Sheave 3-3/8 Sgl
14	3641335	1	Mounting Bracket (D leg)
15	5636414	1	3/8" tube 37-degree to SAE -12 straight fitting
16	3641775	1	Cylinder Rod Clevis
17	3641770	1	Cylinder Clevis Pin 4" lg
18	5893645	5	1/8" x 2" Cotter Pin
19	7341935	1	Sheave 4-1/8 Dbl 1-1/4" bore
20	3641520	1	Cover Tube 107-1/4"
21	3641330	1	Mounting bracket (A leg)
22	5896121	1	HHCS 3/4-10 X 3-1/2 SS
23	5896417	2	3/4 SAE Washer
25	5897014	1	NUT HEX NYLOCK 3/4-10 SS
26	5896305	1	5/8-11 x 3" lg HHCS
27	7341945	1	Sheave 4-7/16 Dbl- 1" bore
28	3641310	1	HVL Cable assembly SS 5/16" X 247 (Red & Gray)
29	3641305	1	HVL Cable assembly SS 5/16" X 139 (Blue & Gray)
30	3641945	1	Hydraulic Hose Assy 29'-6" x 1/4" (straight)
31	3641950	1	Hydraulic Hose Assy 27'-6" x 1/4" (90-degree)
32	5806308	1	1/4-20 x 3/16 lg set screw
33	3641920	1	Cylinder guide plate
34	5892801	2	1/4-20 x 1" Phillip Flat Head Screw
35	5636412	1	3/8 tube 37-degree to 1/4 pipe 90-degree fitting
36	5636411	1	1/4 pipe to 1/4 tube 37-degree straight fitting
37	5636413	1	1/4 tube 37-degree to SAE-12 straight fitting
38	6041364	1	Coupling 1/4 NPT female (screw to connect)
39	6041365	1	Coupling 1/4 NPT male (screw to connect)
40	5896267	1	3/8-16 X 6" LG HHCS
41	6436411	2	Plastic Cap 1-1/2 Dia
42	3641545	1	HVL Cyl Hose Support Bracket
44	3641485	1	SHEAVE (A) PIN
45	5896257	1	3/8-16 X 3 HHCS

7.9 #3641380 HVL5KT –TALL HYDRAULIC CYLINDER ASSEMBLY – See Figure 7.1B

REF #	PART #	QTY	DESCRIPTION
1	6036417	1	Hydraulic Cylinder 3" bore x 36" stroke
3	7393613	1	Bushing Sleeve 7/8" OD x 1.47" lg
4	5896415	2	5/8" USS Washer
5	6036418	1	Flow Regulator
6	5896414	1	5/8" SAE Washer
7	5806246	1	5/8" Lockwasher
8	5896380	1	5/8-11 Hex Nut
9	5896264	4	3/8-16 x 5-1/2" lg HHCS
10	5616803	1	SAE-8 Hollow Plug
11	3641765	1	Cylinder Clevis pin 3-7/8" lg
12	5897016	5	3/8-16 Hex Locknut
13	7308881	1	Sheave 3-3/8 Sgl
14	3641335	1	Mounting Bracket (D leg)
15	5636414	1	3/8" tube 37-degree to SAE -12 straight fitting
16	3641775	1	Cylinder Rod Clevis
17	3641770	1	Cylinder Clevis Pin 4" lg
18	5893645	5	1/8" x 2" Cotter Pin
19	7341935	1	Sheave 4-1/8 Dbl 1-1/4" bore
20	3641520	1	Cover Tube 107-1/4"
21	3641330	1	Mounting bracket (A leg)
22	5896121	1	HHCS 3/4-10 X 3-1/2 SS
23	5896417	2	3/4 SAE Washer
25	5897014	1	NUT HEX NYLOCK 3/4-10 SS
26	5896305	1	5/8-11 x 3" lg HHCS
27	7341945	1	Sheave 4-7/16 Dbl- 1" bore
28	3641375	1	HVL Cable assembly SS 5/16" X 235 (Yellow & Purple)
29	3641370	1	HVL Cable assembly SS 5/16" X 127 (Green & Purple)
30	3641955	1	Hydraulic Hose Assy 31'-6" x 1/4" (straight)
31	3641960	1	Hydraulic Hose Assy 29'-6" x 1/4" (90-degree)
32	5806308	1	1/4-20 x 3/16 lg set screw
33	3641920	1	Cylinder guide plate
34	5892801	2	1/4-20 x 1" Phillip Flat Head Screw
35	5636412	1	3/8 tube 37-degree to 1/4 pipe 90-degree fitting
36	5636411	1	1/4 pipe to 1/4 tube 37-degree straight fitting
37	5636413	1	1/4 tube 37-degree to SAE-12 straight fitting
38	6041364	1	Coupling 1/4 NPT female (screw to connect)
39	6041365	1	Coupling 1/4 NPT male (screw to connect)
40	5896267	1	3/8-16 X 6" LG HHCS
41	6436411	2	Plastic Cap 1-1/2 Dia
42	3641545	1	HVL Cyl Hose Support Bracket
44	3641485	1	SHEAVE (A) PIN

7.10 3641315 HVL5K LOAD TUBE ASSEMBLY (AB) See Figure 7-2A

REF #	PART #	QTY	DESCRIPTION
57	7308887	2	SHEAVE POLYMER 4-3/8 SGL
58	7393625	2	BUSHING SHEAVE 1 OD X 2.44LG
59	7336415	2	NYLON SPACER 2 OD X 1-3/16 LG
60	3608002	4	VL GLIDE PLT 1.6-5K
61	3605903	1	VL LD TBE WELDMENT AB/CD 5K
62	3607962	1	VL CA ASSY 5/16 X 211-1/2 PINK
O	5896397	REF	9/16-12 NUT HEX See Sect. 7.5 HVL hardware carton
T	5896306	REF	HHCS 5/8-11 X 3-1/2 SS See Sect. 7.5 HVL hardware carton
U	5896414	REF	WASHER FLAT SAE 5/8 SS See Sect. 7.5 HVL hardware carton
V	5806246	REF	WASHER SPLIT LOCK 5/8 SS See Sect. 7.5 HVL hardwarecarton
W	5896380	REF	NUT HEX 5/8-11 SS See Sect. 7.5 HVL hardware carton
JJ	5896183	2	HHCS 3/4-10 X 4-1/2
KK	5896417	2	WASHER FLAT SAE 3/4 SS
LL	5806265	2	WASHER SPLIT LOCK 3/4 SS
MM	5896381	2	NUT HEX 3/4-10 SS
NN	5896243	8	SCREW FH MS PHIL 10-24 X 5/8 SS
PP	5893100	8	NUT HEX NYLOCK 10-24 SS

7.11 3641320 HVL5K LOAD TUBE ASSEMBLY (CD) See Figure 7-2A

REF #	PART #	QTY	DESCRIPTION
57	7308887	2	SHEAVE POLYMER 4-3/8 SGL
58	7393625	2	BUSHING SHEAVE 1 OD X 2.44LG
59	7336415	2	NYLON SPACER 2 OD X 1-3/16 LG
60	3608002	4	VL GLIDE PLT 1.6-5K
61	3605903	1	VL LD TBE WELDMENT AB/CD 5K
62	3607962	1	VL CA ASSY 5/16 X 211-1/2 PINK
O	5896397	REF	9/16-12 NUT HEX See Sect. 7.5 HVL hardware carton
T	5896306	REF	HHCS 5/8-11 X 3-1/2 SS See Sect. 7.5 HVL hardware carton
U	5896414	REF	WASHER FLAT SAE 5/8 SS See Sect. 7.5 HVL hardware carton
V	5806246	REF	WASHER SPLIT LOCK 5/8 SS See Sect. 7.5 HVL hardwarecarton
W	5896380	REF	NUT HEX 5/8-11 SS See Sect. 7.5 HVL hardware carton
JJ	5896183	2	HHCS 3/4-10 X 4-1/2
KK	5896417	2	WASHER FLAT SAE 3/4 SS
LL	5806265	2	WASHER SPLIT LOCK 3/4 SS
MM	5896381	2	NUT HEX 3/4-10 SS
NN	5896243	8	SCREW FH MS PHIL 10-24 X 5/8 SS
PP	5893100	8	NUT HEX NYLOCK 10-24 SS

7.12 3641360 HVL5K TALL LOAD TUBE ASSEMBLY (AB) See Figure 7-2B

REF #	PART #	QTY	DESCRIPTION
57	7308887	2	SHEAVE POLYMER 4-3/8 SGL
58	7393625	2	BUSHING SHEAVE 1 OD X 2.44LG
59	7336415	2	NYLON SPACER 2 OD X 1-3/16 LG
60	3608002	4	VL GLIDE PLT 1.6-5K
61	3605903	1	VL LD TBE WELDMENT AB/CD 5K
63	3600906	1	VL CA ASSY 5/16 X 223-1/2 TAN
O	5896397	REF	9/16-12 NUT HEX See Sect. 7.5 HVL hardware carton
T	5896306	REF	HHCS 5/8-11 X 3-1/2 SS See Sect. 7.5 HVL hardware carton
U	5896414	REF	WASHER FLAT SAE 5/8 SS See Sect. 7.5 HVL hardware carton
V	5806246	REF	WASHER SPLIT LOCK 5/8 SS See Sect. 7.5 HVL hardwarecarton
W	5896380	REF	NUT HEX 5/8-11 SS See Sect. 7.5 HVL hardware carton
JJ	5896183	2	HHCS 3/4-10 X 4-1/2
KK	5896417	2	WASHER FLAT SAE 3/4 SS
LL	5806265	2	WASHER SPLIT LOCK 3/4 SS
MM	5896381	2	NUT HEX 3/4-10 SS
NN	5896243	8	SCREW FH MS PHIL 10-24 X 5/8 SS
PP	5893100	8	NUT HEX NYLOCK 10-24 SS

7.13 3641365 HVL5K TALL LOAD TUBE ASSEMBLY (CD) See Figure 7-2B

REF #	PART #	QTY	DESCRIPTION
57	7308887	2	SHEAVE POLYMER 4-3/8 SGL
58	7393625	2	BUSHING SHEAVE 1 OD X 2.44LG
59	7336415	2	NYLON SPACER 2 OD X 1-3/16 LG
60	3608002	4	VL GLIDE PLT 1.6-5K
61	3605903	1	VL LD TBE WELDMENT AB/CD 5K
63	3600906	1	VL CA ASSY 5/16 X 223-1/2 TAN
O	5896397	REF	9/16-12 NUT HEX See Sect. 7.5 HVL hardware carton
T	5896306	REF	HHCS 5/8-11 X 3-1/2 SS See Sect. 7.5 HVL hardware carton
U	5896414	REF	WASHER FLAT SAE 5/8 SS See Sect. 7.5 HVL hardware carton
V	5806246	REF	WASHER SPLIT LOCK 5/8 SS See Sect. 7.5 HVL hardwarecarton
W	5896380	REF	NUT HEX 5/8-11 SS See Sect. 7.5 HVL hardware carton
JJ	5896183	2	HHCS 3/4-10 X 4-1/2
KK	5896417	2	WASHER FLAT SAE 3/4 SS
LL	5806265	2	WASHER SPLIT LOCK 3/4 SS
MM	5896381	2	NUT HEX 3/4-10 SS
NN	5896243	8	SCREW FH MS PHIL 10-24 X 5/8 SS
PP	5893100	8	NUT HEX NYLOCK 10-24 SS

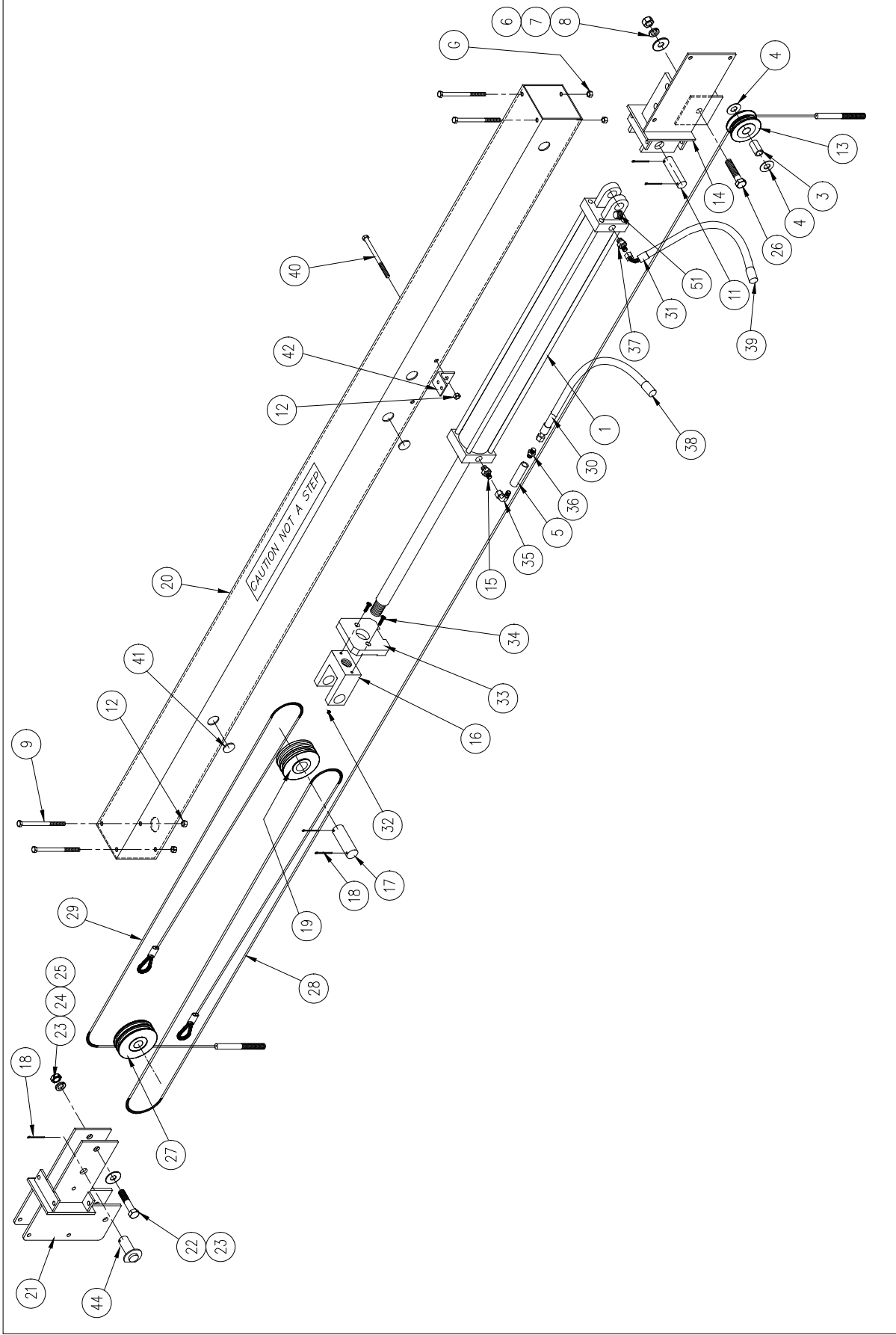


Figure 7-1A
HVL5K Hydraulic Cylinder Assembly- exploded view

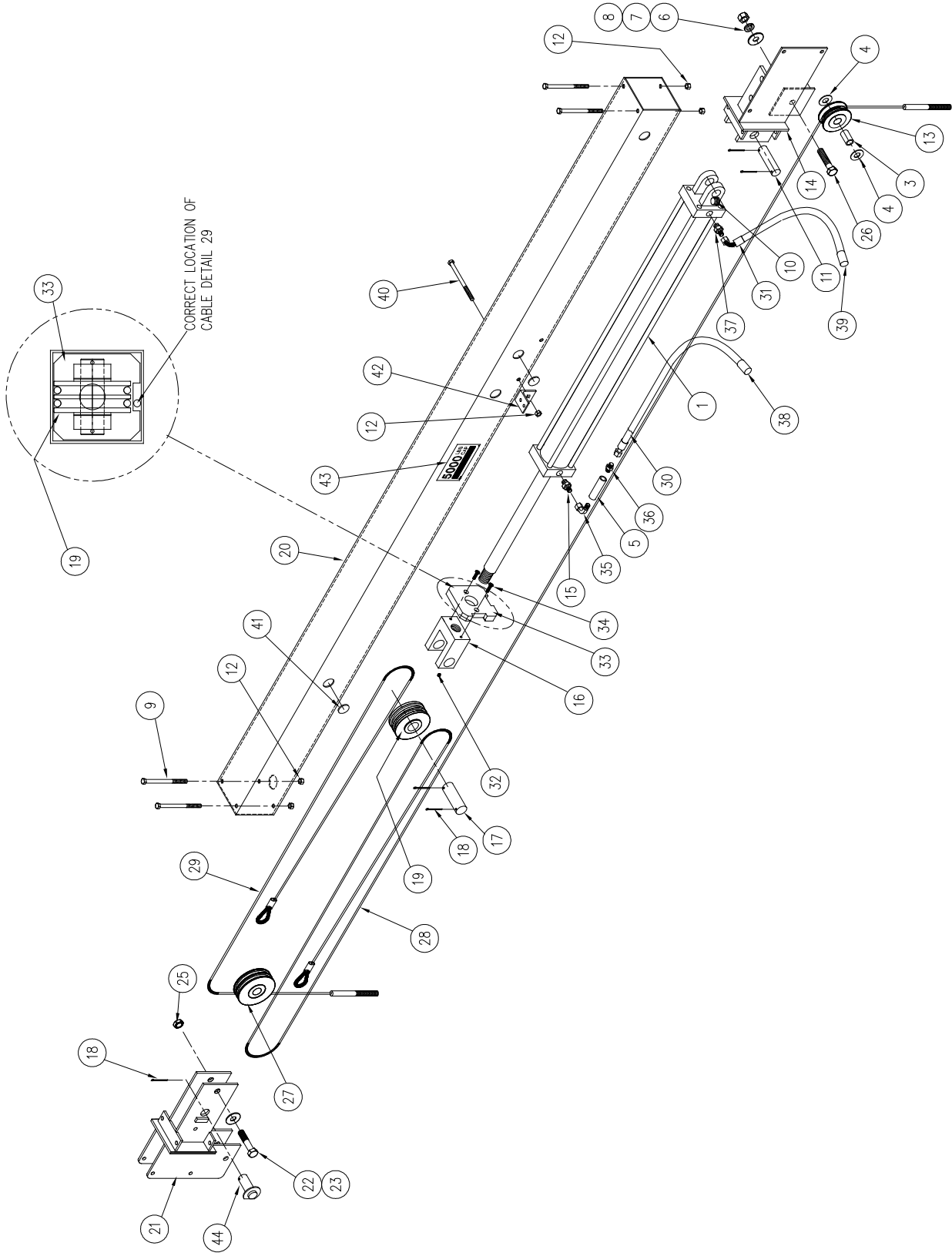
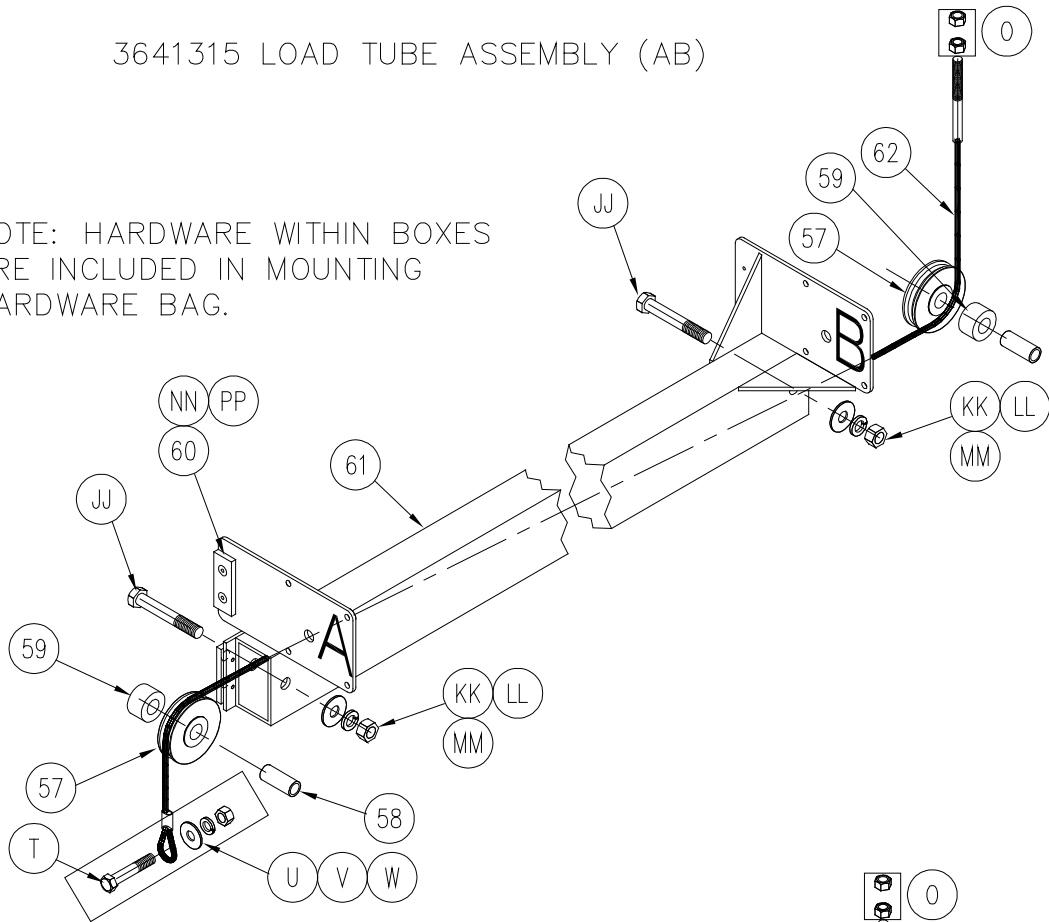


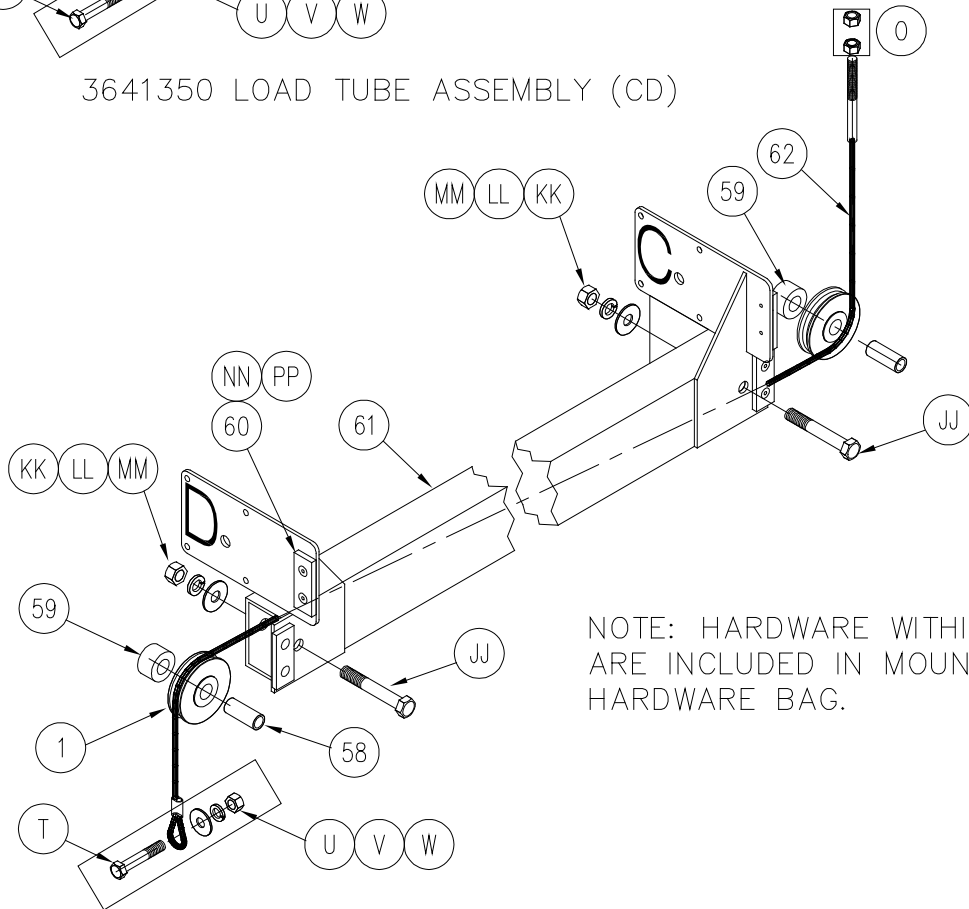
Figure 7-1B
HVL5K TALL Hydraulic Cylinder Assembly- exploded view

3641315 LOAD TUBE ASSEMBLY (AB)

NOTE: HARDWARE WITHIN BOXES
ARE INCLUDED IN MOUNTING
HARDWARE BAG.



3641350 LOAD TUBE ASSEMBLY (CD)

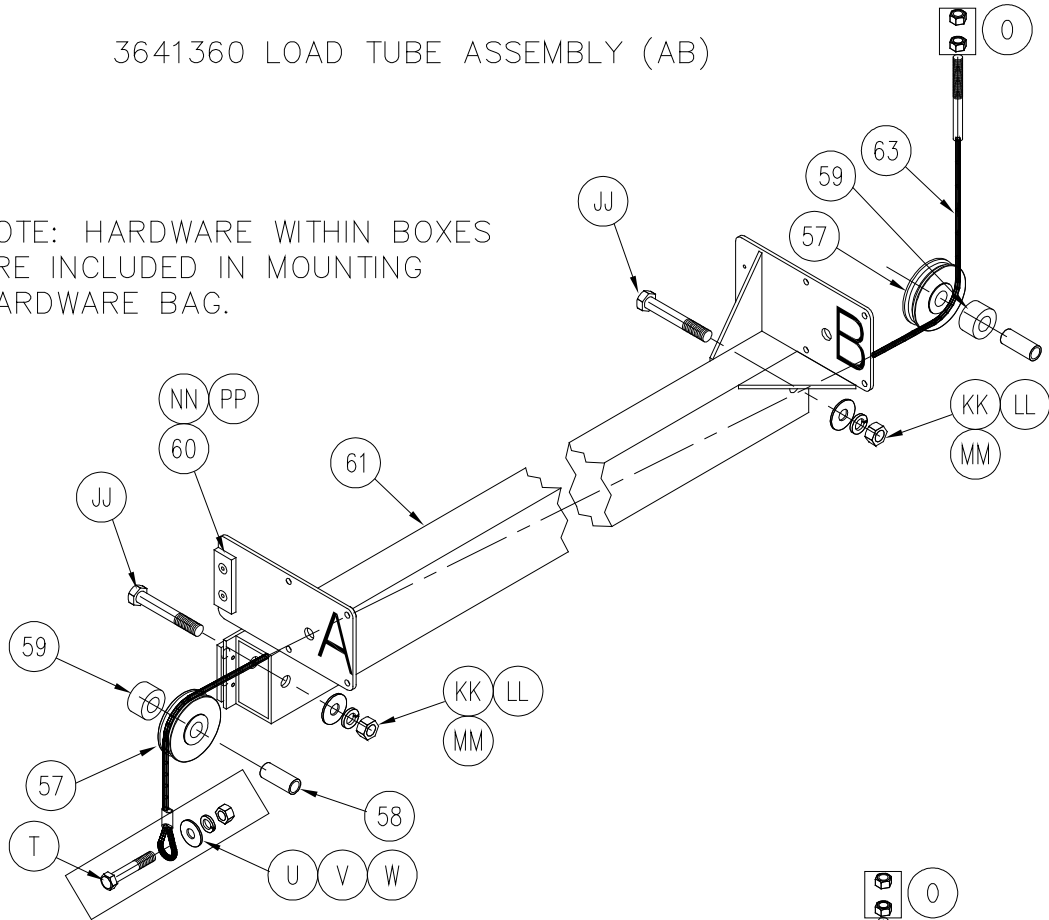


NOTE: HARDWARE WITHIN BOXES
ARE INCLUDED IN MOUNTING
HARDWARE BAG.

Figure 7-2A
HVL5K LOAD TUBES

3641360 LOAD TUBE ASSEMBLY (AB)

NOTE: HARDWARE WITHIN BOXES ARE INCLUDED IN MOUNTING HARDWARE BAG.



3641365 LOAD TUBE ASSEMBLY (CD)

NOTE: HARDWARE WITHIN BOXES ARE INCLUDED IN MOUNTING HARDWARE BAG.

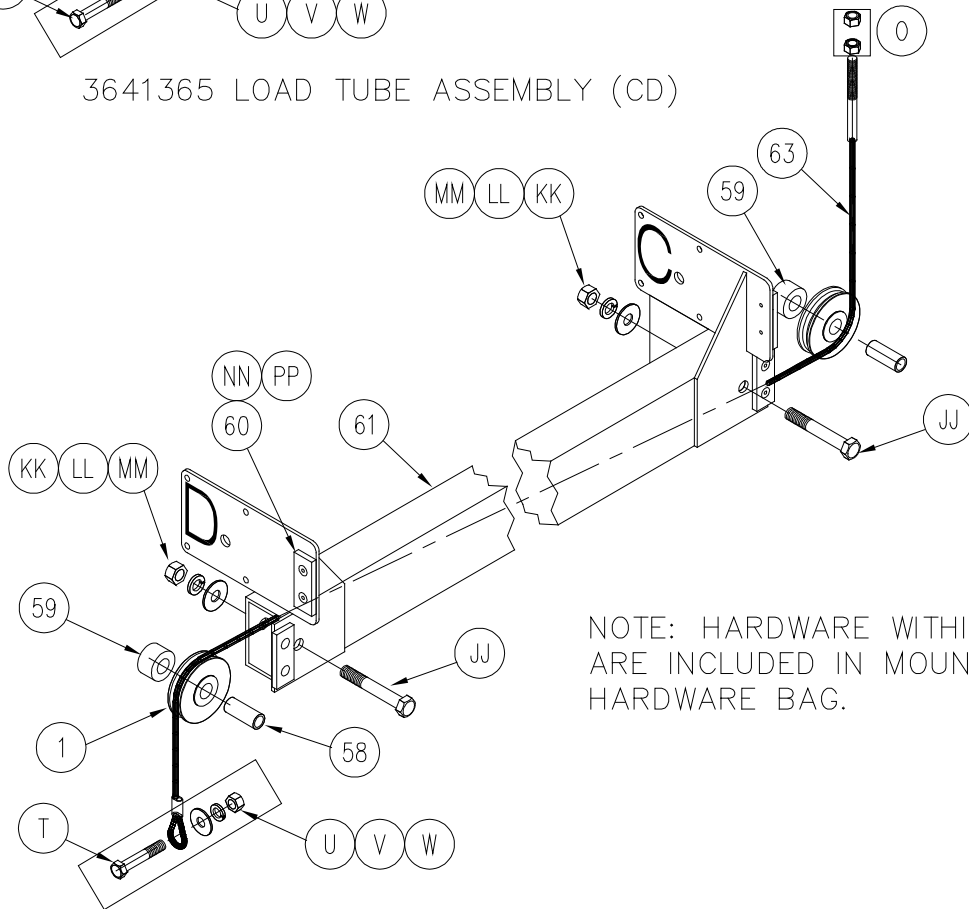
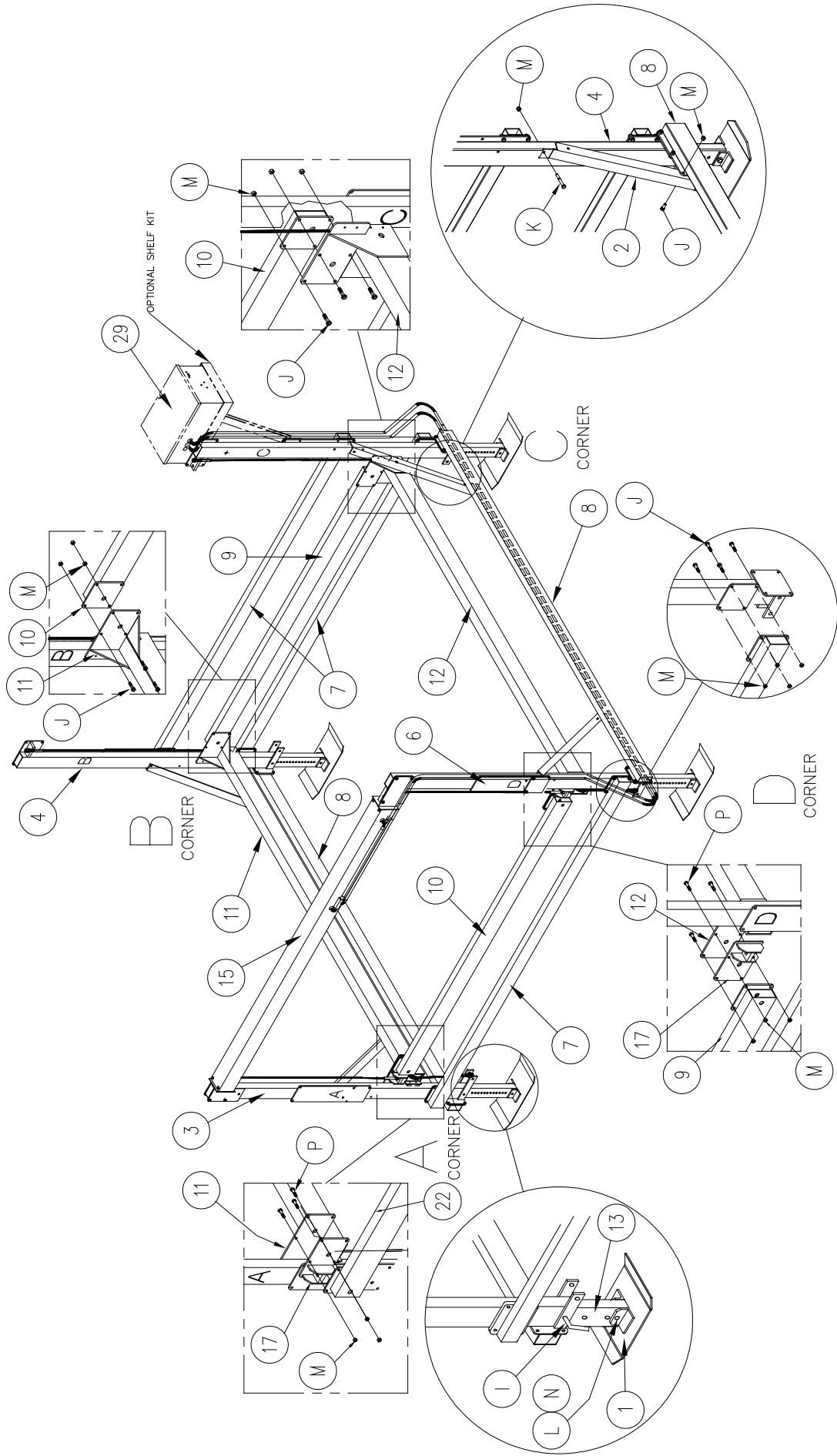


Figure 7-2B
HVL5K TALL LOAD TUBES



HARDWARE FOR ALL HORIZONTAL TUBE CONNECTIONS

Figure 7-3
Complete HVL 5K Assembly