

OPERATION & PARTS MANUAL



GloBug

MODEL GB114BC

LIGHTING SYSTEM

(FOR USE WITH MQ SERIES GENERATORS)

Revision #3 (03/22/06)

**THIS MANUAL MUST ACCOMPANY
THE EQUIPMENT AT ALL TIMES.**

TABLE OF CONTENTS

MQ GLOBUG LIGHTING SYSTEM

Here's How To Get Help	3
Table Of Contents	4
Parts Ordering Procedures	5
Safety Message Alert Symbols	6-7
Rules For Safe Operation	8-11
Operation and Safety Decals	12-14
Specifications	15
Dimensions	16
Floodlight Footcandle Plots (BAL-120 STD.)	17
Floodlight Footcandle Plots (BAL-120R REF.)	18
Floodlight Footcandle Plots (BAL-115D REF.)	18
General Information	20
Components	22-23
Pre-Setup	24-25
Pre-Setup/Operation	26
Shutdown	27
Maintenance	28-37
Troubleshooting (Lamps)	38
Schematic Diagram	39
Explanation Of Codes In Remarks Column	40
Suggested Spare Parts	41

COMPONENT DRAWINGS

Nameplate and Decals	42-43
T-Handle Assy.	44-45
Steering Assy.	46-47
Outrigger Assy.	48-49
Mast Adapter Assy.	50-51
Main Mast Assy.	52-53
Mast Section Assy.	54-55
Baseplate Cover Assy.	56-57
Ballast Box Assy.	58-59
Fan Blower/Lamp Base Assy.	60-61
Balloon/Lamp Guard Assy.	62-63
Terms and Conditions Of Sale — Parts	64

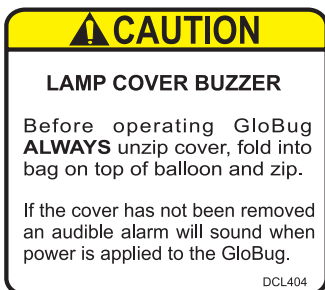
GLOBUG LIGHTING SYSTEM — OPERATION AND SAFETY DECALS

Machine Safety Decals

The GloBug is equipped with a number of safety decals, Figures 1A through 1C. These decals are provided for operator safety and maintenance information. The illustrations below and on the next page show these decals as they appear on the machine. Should any of these decals become unreadable, replacements can be obtained from your dealer.



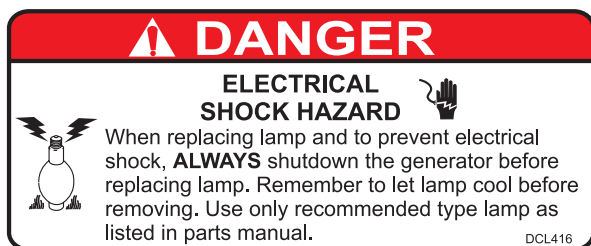
P/N DCL415



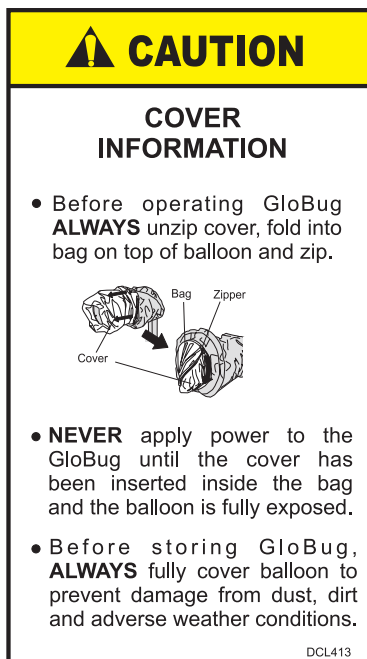
P/N DCL404



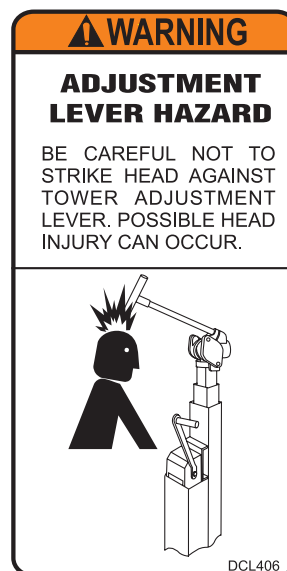
P/N DCL405



P/N DCL416



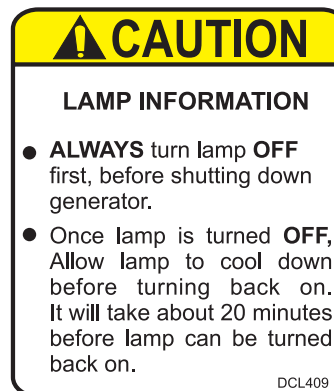
P/N DCL413



P/N DCL406



P/N DCL417



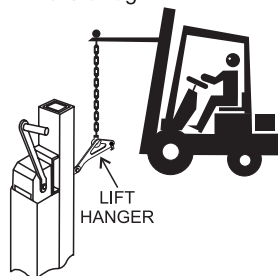
P/N DCL409

Figure 1A. Operation and Safety Decals

GLOBUG LIGHTING SYSTEM — OPERATION AND SAFETY DECALS

WARNING

When lifting of the GloBug is required, **ALWAYS** attach a rope or chain to the lift hanger. **DO NOT** use any other lifting points to lift the GloBug.



LIFT HANGER

DCL412

P/N DCL412

DANGER

GloBug INFORMATION

- To prevent tipping, **NEVER** use in winds that exceed 22 mph (10 m/sec).
- **NEVER** use on an incline of 5 degrees or more. The possibility of tipping exists.
- **NEVER** use in rain or wet conditions. The possibility of electrocution exists.
- **ALWAYS** apply parking brake to prevent moving.
- When moving is required, lower mast fully.
- When raising mast, **ALWAYS** deploy outriggers to prevent tipping.
- **ALWAYS** turn **OFF** generator before performing maintenance.

DCL411

P/N DCL411

ON

OFF

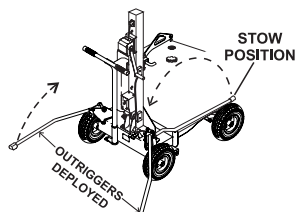
DCL408

P/N DCL408

WARNING

OUTRIGGER DEPLOYMENT

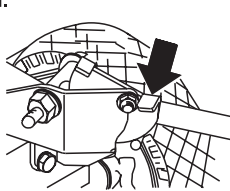
SETTING:
Pull outrigger upward at the tip end and rotate backwards until it locks in place.



STOW POSITION

OUTRIGGERS DEPLOYED

RELEASE:
To unlock outrigger, push downward on the counter-weight lever indicated by arrow. Grab hold of outrigger, pull upward, push down and place in stow position.



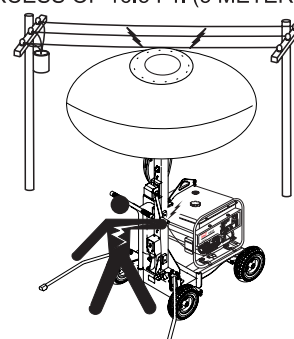
DCL414

P/N DCL414

DANGER

ELECTRICAL SHOCK HAZARD

ALWAYS MAKE SURE AREA ABOVE TOWER MAST IS OPEN AND **CLEAR** OF OVERHEAD **POWER LINES**. THE TOWER MAST EXTENDS IN EXCESS OF 16.5 FT. (5 METERS).



DCL403

P/N DCL403

UP



DOWN

DCL401

P/N DCL401

CAUTION

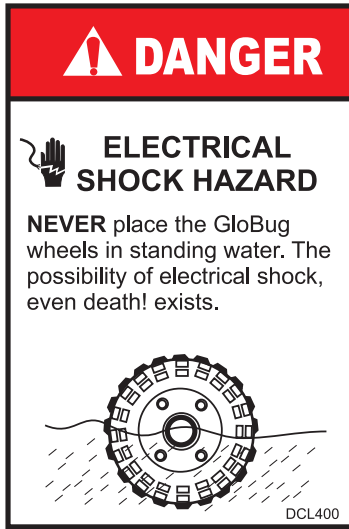
When the GloBug is used for non-lighting applications, **ALWAYS** un-plug GloBug AC power cord from the generator.

DCL402

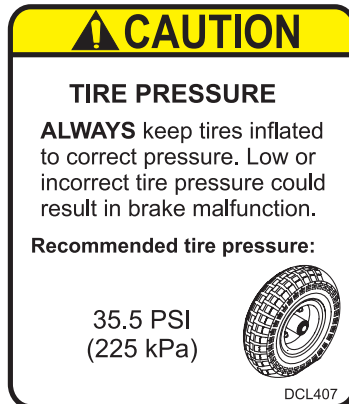
P/N DCL402

Figure 1B. Operation and Safety Decals (Continued)

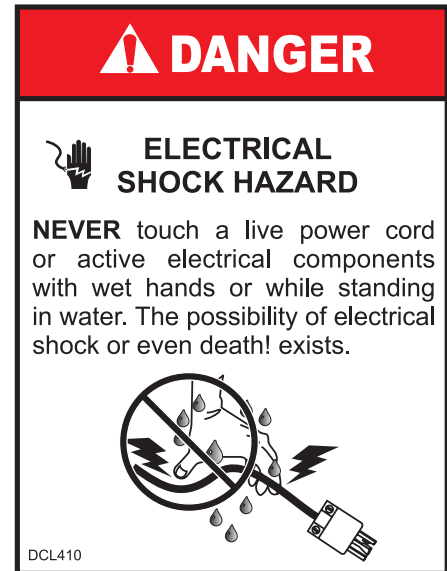
GLOBUG LIGHTING SYSTEM — OPERATION AND SAFETY DECALS



P/N DCL400



P/N DCL407



P/N DCL410



CONTACT
MQ PARTS DEPT.



P/N DCL428



P/N 35137



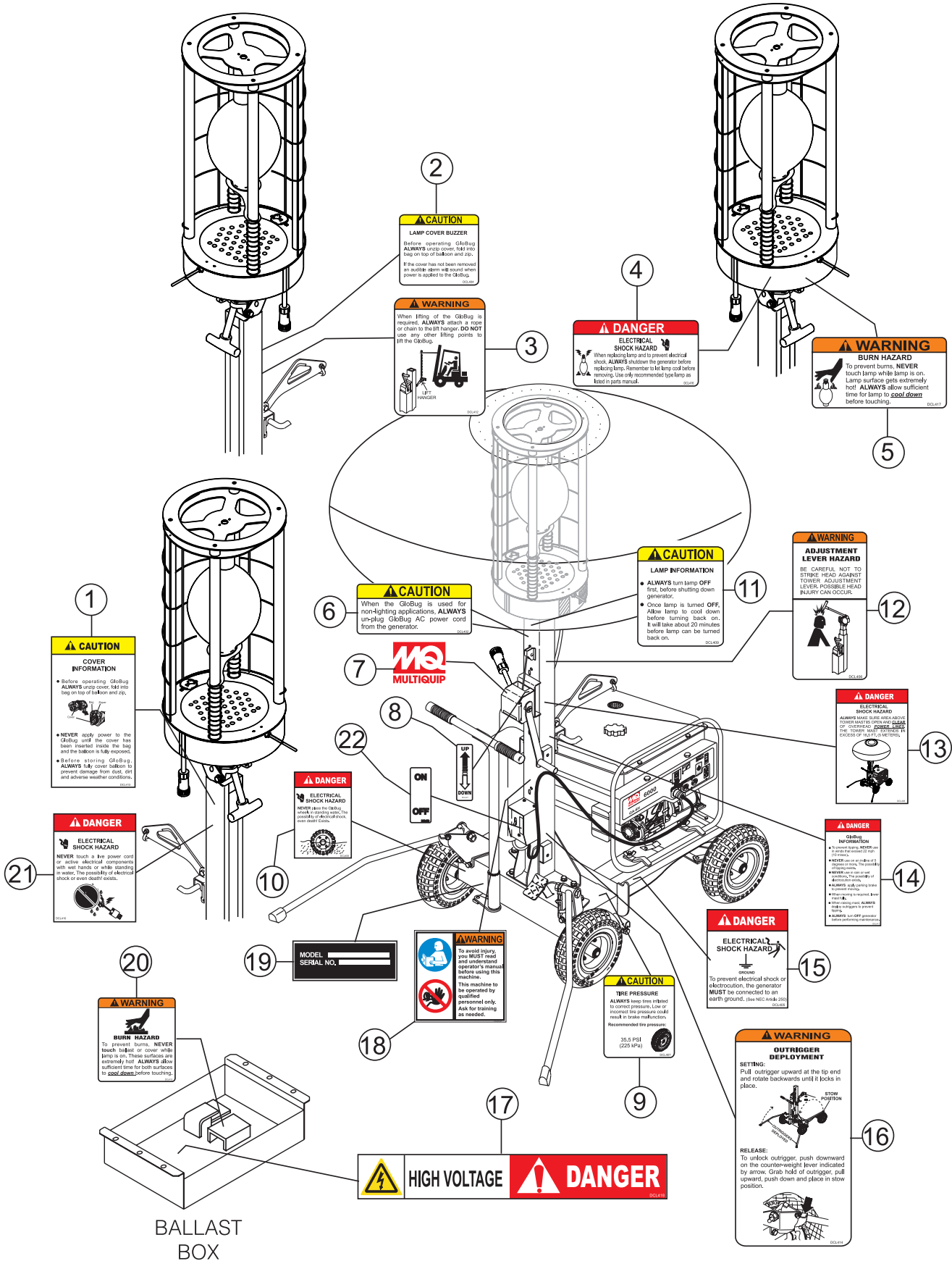
P/N DCL418

Figure 1C. Operation and Safety Decals (Continued)

GloBug LIGHTING SYSTEM *1 TO 3 UNITS*

<u>Qty.</u>	<u>P/N</u>	<u>Description</u>
2	E000009800	BULB
2	A300033800	BALLAST/TRANSFORMER
2	A300038400	CAPACITOR, 24 μ F @480 VDC
2	1800001200	BALLOON CLOTH
3	A400038300	FILTER 200 (AIR)

GLOBUG LIGHTING SYSTEM — NAMEPLATE AND DECALS



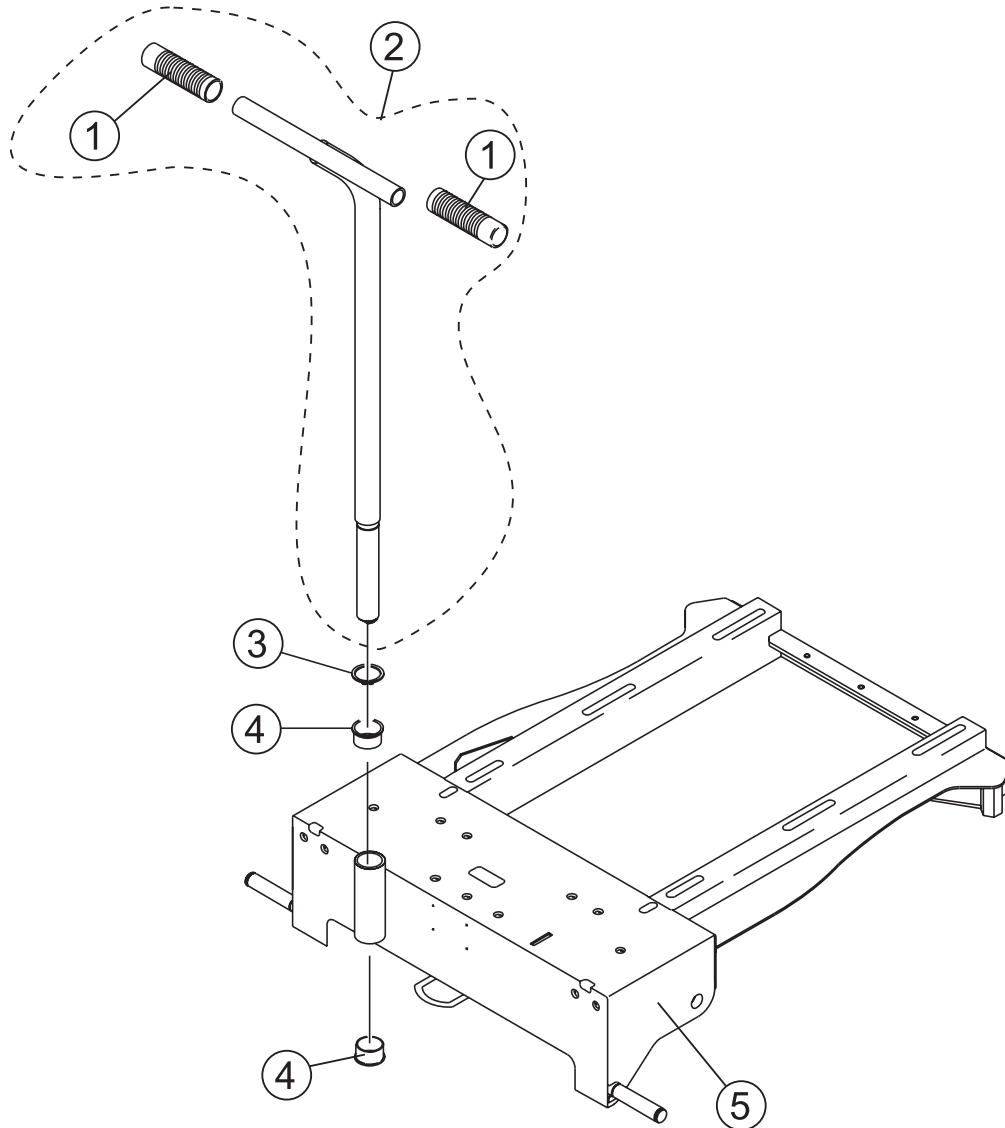
GLOBUG LIGHTING SYSTEM — NAMEPLATE AND DECALS

NAMEPLATE AND DECALS.

<u>NO.</u>	<u>PART NO.</u>	<u>PART NAME</u>	<u>QTY.</u>	<u>REMARKS</u>
1	DCL413	DECAL; CAUTION COVER INFORMATION	1	
2	DCL404	DECAL; CAUTION LAMP COVER BUZZER	1	
3	DCL412	DECAL; WARNING, LIFT HANGER	1	
4	DCL416	DECAL; DANGER, ELECTRICAL SHOCK HAZ.	1	
5	DCL417	DECAL; WARNING, BURN HAZARD (LAMP)	1	
6	DCL402	DECAL; CAUTION, REMOVE POWER CORD	1	
7	DCL428	DECAL; MQ LOGO	1	
8	DCL401	DECAL; WINCH UP/DOWN	1	
9	DCL407	DECAL; CAUTION, TIRE PRESSURE	1	
10	DCL400	DECAL; DANGER, ELECTRICAL SHOCK (TIRES)	1	
11	DCL409	DECAL; CAUTION, LAMP INFORMATION	1	
12	DCL406	DECAL; WARNING, ADJ. LEVER HAZARD	1	
13	DCL403	DECAL; DANGER ELECTRIC SHOCK (GLOBUG)	1	
14	DCL411	DECAL; DANGER, GLOBUG INFORMATION	1	
15	DCL405	DECAL; DANGER, ELECTRICAL SHOCK (GND.)	1	
16	DCL414	DECAL; WARNING, OUTRIGGER DEPLOYMENT	1	
17	DCL418	DECAL; DANGER, HIGH VOLTAGE	1	
18	35137	DECAL; WARNING, READ MANUAL	1	
19		NAMEPLATE	1 CONTACT MQ PARTS DEPT.
20	DCL415	DECAL; BURN HAZARD (BALLAST)	1	
21	DCL410	DECAL; DANGER, ELECTRICAL SHOCK (CORDS)	1	
22	DCL408	DECAL; ON/OFF	1	

GLOBUG LIGHTING SYSTEM — T-HANDLE ASSY.

T-HANDLE ASSY.



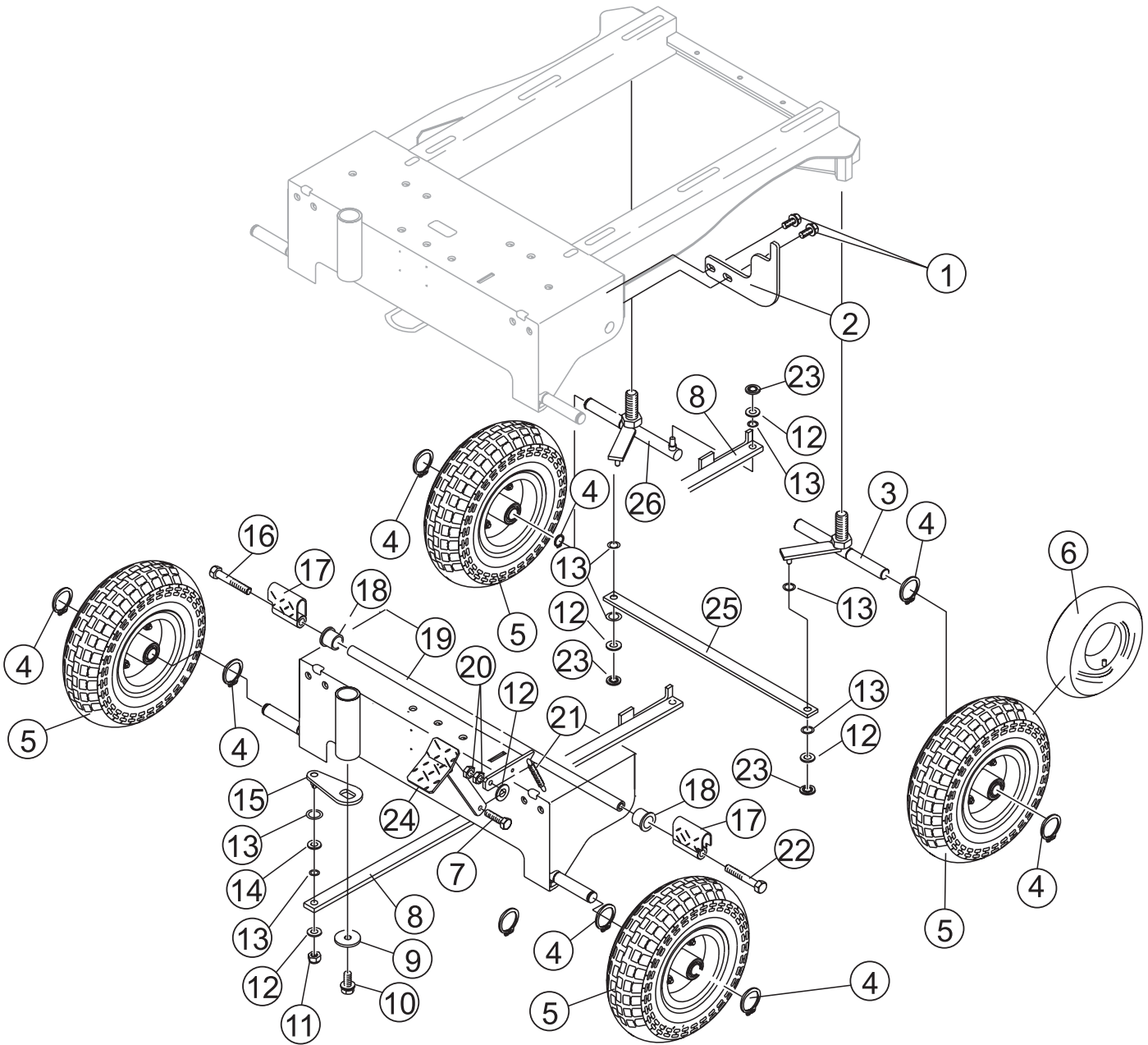
GLOBUG LIGHTING SYSTEM — T-HANDLE ASSY.

T-HANDLE ASSY.

<u>NO.</u>	<u>PART NO.</u>	<u>PART NAME</u>	<u>QTY.</u>	<u>REMARKS</u>
1*	1102700130	HANDLE GRIP	2	
2	A200016500	HANDLE GRIP	2	INCLUDES ITEM W/*
3	0040730000	SNAP RING (30)	1	
4	1503300130	SLEEVE BEARING (30dx34Dx20)	2	
5	A100012500	BASE PLATE	1	

GLOBUG LIGHTING SYSTEM — STEERING ASSY.

STEERING ASSY.



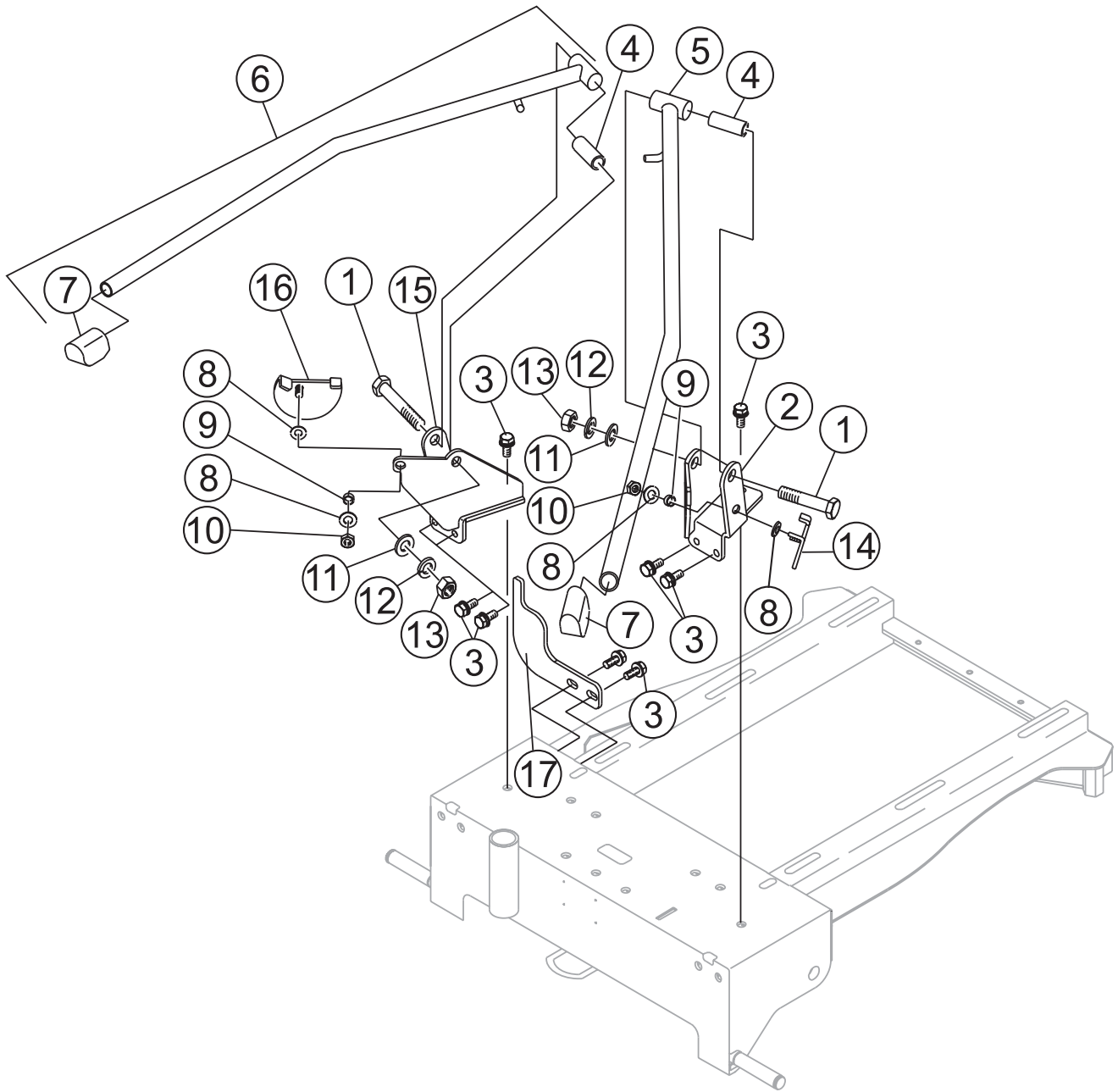
GLOBUG LIGHTING SYSTEM — STEERING ASSY.

STEERING ASSY.

<u>NO.</u>	<u>PART NO.</u>	<u>PART NAME</u>	<u>QTY.</u>	<u>REMARKS</u>
1	0010510025	BOLT AND WASHER (M10X25)	4	
2	A400033400	CATCHER (OUTRIGGER)	2	
3	A300029800	FRONT SHAFT (R)	1	
4	0040720000	SNAP RING (20)	8	
5	1003000100	TIRE ASSY (4.10/3.50-5)	4	
6	1003000240	TIRE TUBE (4.10/3.50-5)	4	
7	0010308030	BOLT (M8x30) SUS	1	
8	A400034400	LINK (STEERING)	1	
9	0040112041	WASHER (12dx40Dx3.2t)	1	
10	0010512025	BOLT & WASHER (M12x25)	1	
11	0030208000	SELF LOCK NUT (M8)	1	
12	0040108000	WASHER (M8)	5	
13	1504120130	WASHER (12.5dx18Dx0.5t)	8	
14	0040112000	WASHER (M12)	1	
15	2001120310	LINK (HANDLE)	1	
16	1521120130	BOLT (M12x75) LEFT SCREW	1	
17	2071214010	BRAKE	2	
18	1503180130	SLEEVE BEARING (18dx20Dx20)	2	
19	2071213210	BRAKE SHAFT	1	
20	0030108000	NUT (M8)	2	
21	1041000131	SPRING (BRAKE)	1	
22	0010112075	BOLT (M12x75)	1	
23	0030808000	PUSH NUT (8)	3	
24	2001200312	BRAKE PEDAL	1	
25	A300029900	LINK (FRONT SHAFT)	1	
26	A300029701	FRONT SHAFT (L)	1	

GLOBUG LIGHTING SYSTEM — OUTRIGGER ASSY.

OUTRIGGER ASSY.



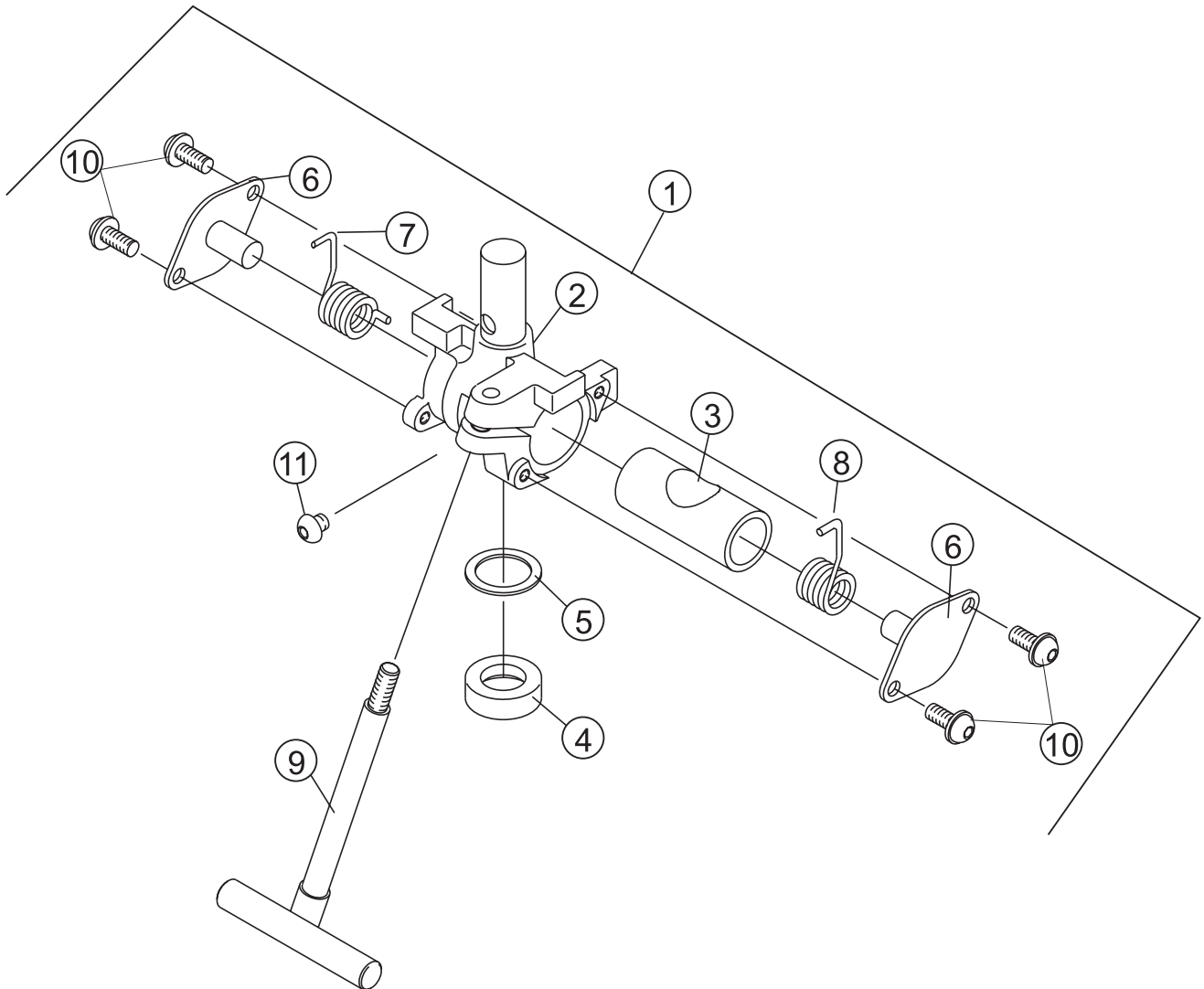
GLOBUG LIGHTING SYSTEM — OUTRIGGER ASSY.

OUTRIGGER ASSY.

<u>NO.</u>	<u>PART NO.</u>	<u>PART NAME</u>	<u>QTY.</u>	<u>REMARKS</u>
1	0010116090	BOLT (M16x90)	2	
2	A100011600	BRACKET (OUT,R) R	1	
3	0010510025	BOLT & WASHER (M10x25)	10	
4	1501160111	SPACER (OUT,R)	2	
5	A200015302	OUTRIGGER R	1	INCLUDES ITEM W/*
6	A200015202	OUTRIGGER L	1	INCLUDES ITEM W/*
7*	1641000330	RUBBER FOOT	2	
8	0040110000	WASHER (M10)	4	
9	1501100430	SPACER (10.2dx13.8Dx6.5L)	2	
10	0030210000	SELF LOCK NUT (M10)	2	
11	0040116000	WASHER (M16)	2	
12	0040216000	SPRING WASHER (M16)	2	
13	0030116000	NUT (M16)	2	
14	2031321113	WEIGHT (OUT,R) R	1	
15	A100011500	BRACKET (OUT,R) L	1	
16	2031320213	WEIGHT (OUT,R) L	1	
17	A400033400	CATCHER (OUTRIGGER)	2	

GLOBUG LIGHTING SYSTEM — MAST ADAPTER ASSY.

MAST ADAPTER ASSY.



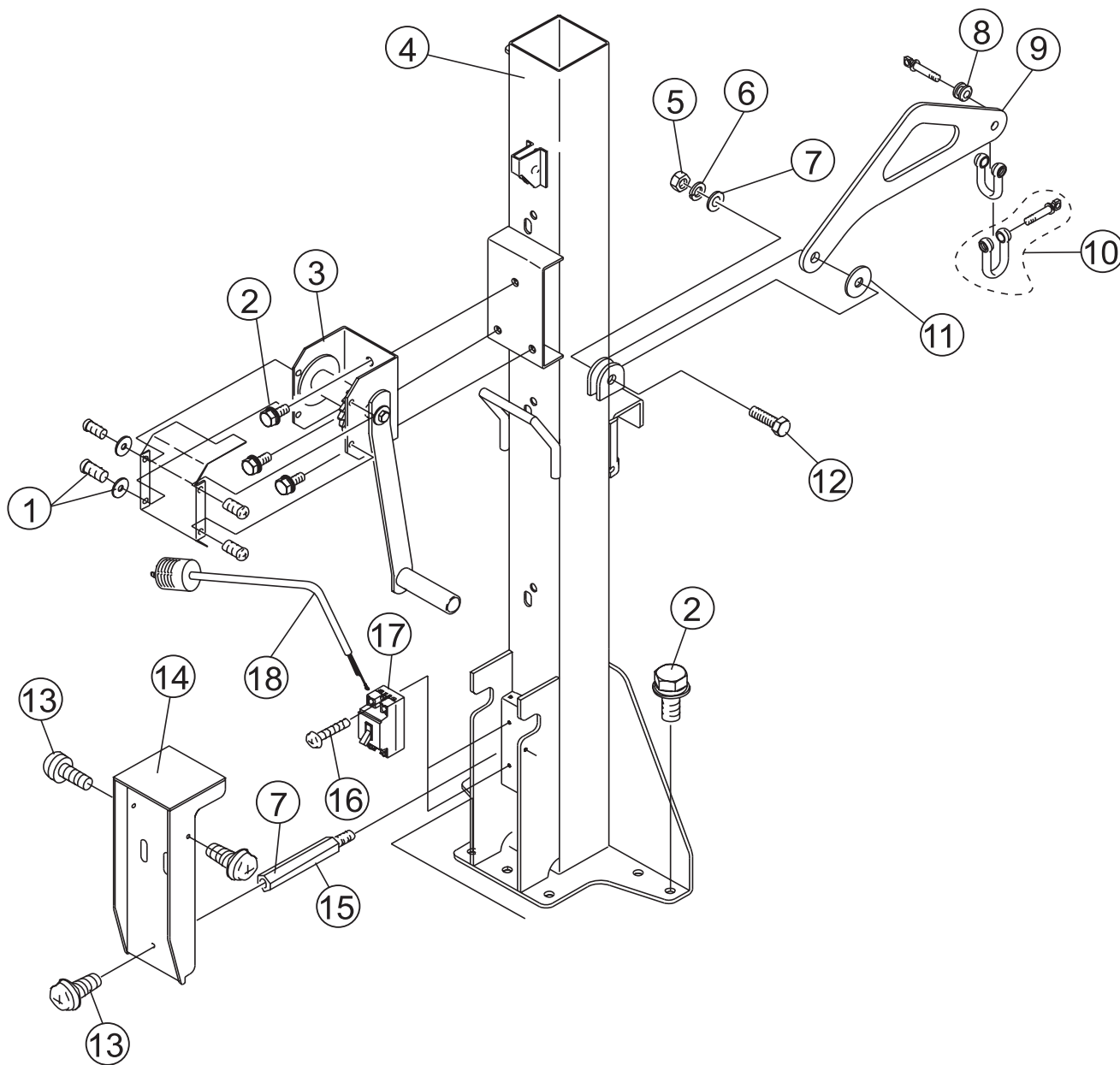
GLOBUG LIGHTING SYSTEM — MAST ADAPTER ASSY.

MAST ADAPTER ASSY.

<u>NO.</u>	<u>PART NO.</u>	<u>PART NAME</u>	<u>QTY.</u>	<u>REMARKS</u>
1	2202390100	STAND ASSY.	1	INCLUDES ITEMS W/*
2*	2202390111	STAND	1	
3*	2202500130	SHAFT (STAND)	1	
4	2202500230	SPACER (STAND)	1	
5	1502280130	WASHER	1	
6*	2202520110	COVER (SPRING)	2	
7*	1043002030	SPRING (STAND) L	1	
8*	1043002130	SPRING (STAND) R	1	
9*	A400038800	GRIP SHAFT	1	
10*	0011808025	BUTTON BOLT & WASHER (M8 X 25)	4	
11*	0011708010	BUTTON BOLT (M8 X10)	1	

GLOBUG LIGHTING SYSTEM — MAIN MAST ASSY.

MAIN MAST ASSY.



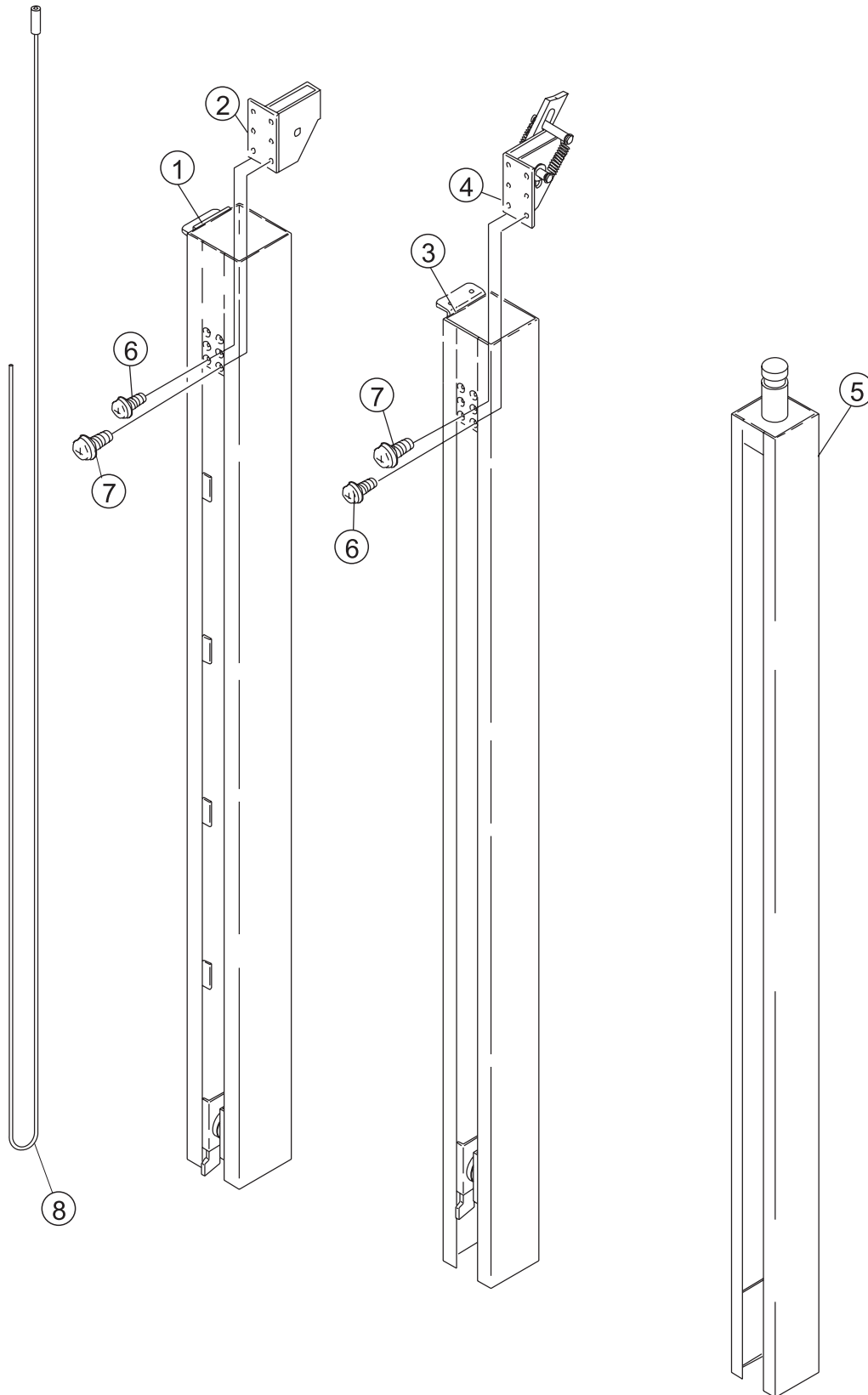
GLOBUG LIGHTING SYSTEM — MAIN MAST ASSY.

MAIN MAST ASSY.

<u>NO.</u>	<u>PART NO.</u>	<u>PART NAME</u>	<u>QTY.</u>	<u>REMARKS</u>
1	0020305008	SCREW AND WASHER	4	
2	0010510025	BOLT & WASHER (M10x25)	10	
3	1011000701	WINCH HM-G103	1	
4	A100012401	FIRST MAST	1	
5	0030112000	NUT (M12)	1	
6	0040212000	SPRING WASHER (M12)	1	
7	0040112000	WASHER (M12)	1	
8	1642001430	GROMMET	1	
9	1052001710	HANGER	1	
10	1711080130	SHACKLE	2	
11	0040112041	WASHER (12dx40Dx3.2t)	1	
12	GB0010112040	BOLT (M12x40)	1	
13	0020304012	SCREW & WASHER (M4x12)	3	
14	A200016801	SWITCH COVER	1	
15	2002500430	BOLT (SUPPORT) (MK-440)	1	GROUND STUD
16	0020104020	SCREW (M4x20)	2	
17	1400200400	SWITCH	1	
18	A300028800	CABLE, MAIN POWER	1	

GLOBUG LIGHTING SYSTEM — MAST SECTION ASSY.

MAST SECTION ASSY.



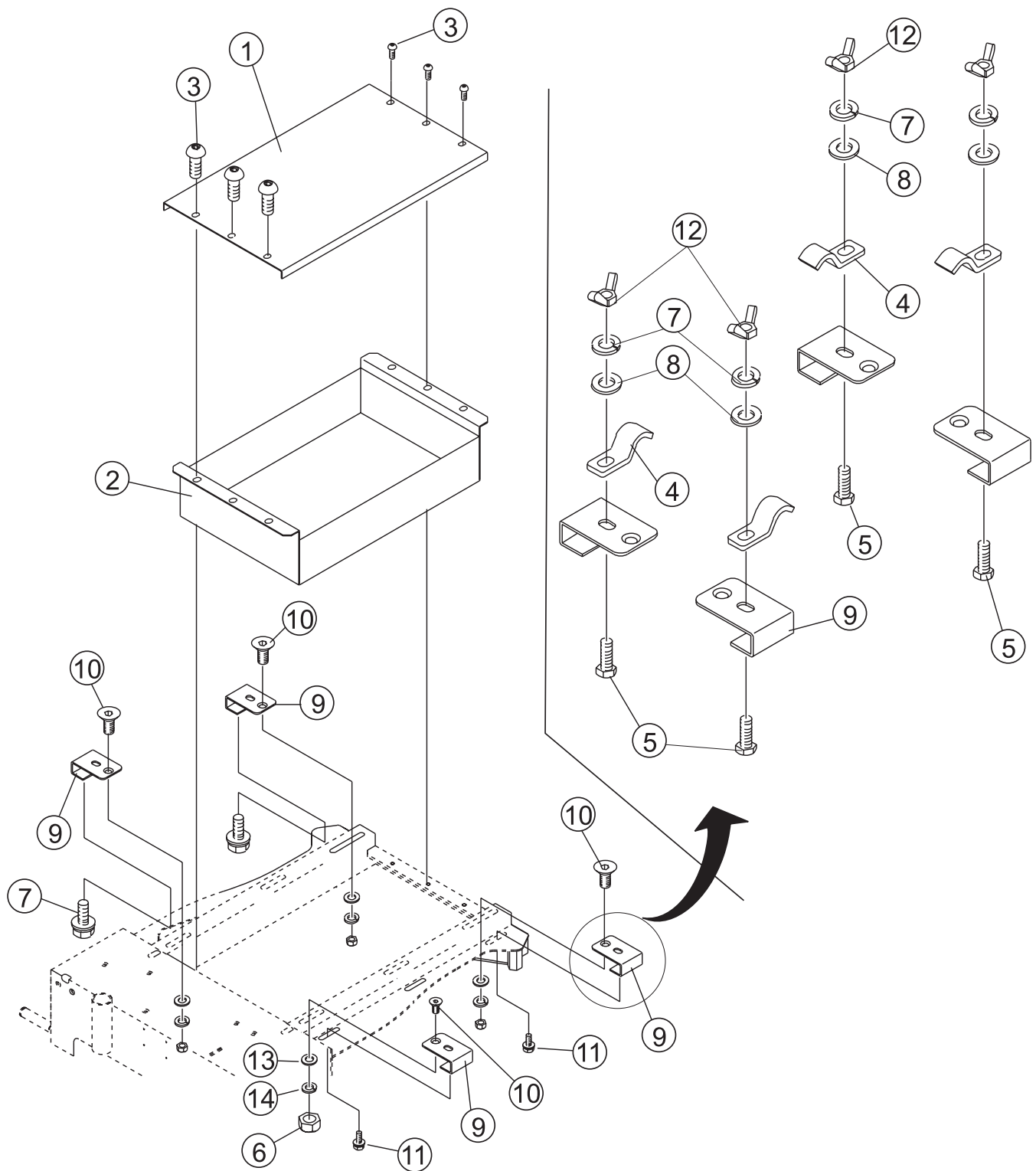
GLOBUG LIGHTING SYSTEM — MAST SECTION ASSY.

MAST SECTION ASSY.

<u>NO.</u>	<u>PART NO.</u>	<u>PART NAME</u>	<u>QTY.</u>	<u>REMARKS</u>
1	2072050112	SECOND MAST	1	
2	2002262010	BRACKET (PULLEY)	1	MAST SECTION 2
3	2082090112	THIRD MAST	1	
4	2012263010	BRACKET (PULLEY)	1	MAST SECTION 3
5	A300034300	FOURTH MAST	1	
6	0020204006	SCREW (M4x6)	6	
7	0020204010	SCREW (M4x10)	6	
8	1031040211	WIRE (4Dx6300L)	1	

GLOBUG LIGHTING SYSTEM — BASEPLATE COVER ASSY.

BASEPLATE COVER ASSY.



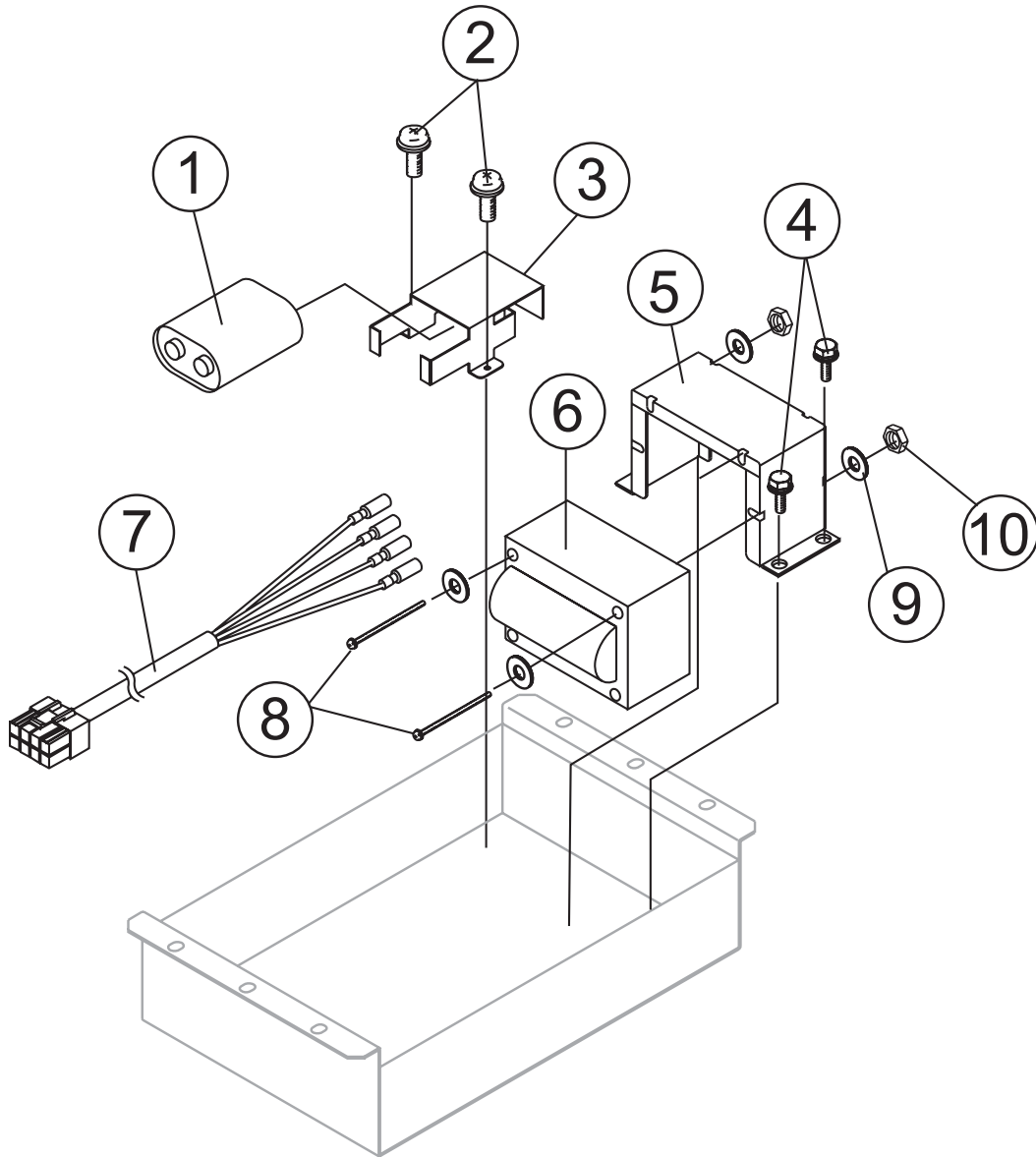
GLOBUG LIGHTING SYSTEM — BASEPLATE COVER ASSY.

BASEPLATE COVER ASSY.

<u>NO.</u>	<u>PART NO.</u>	<u>PART NAME</u>	<u>QTY.</u>	<u>REMARKS</u>
1	A200016100	COVER (BALLAST) CP	1	
2	A200017901	GUARD (BALLAST)	1	
3	0011808025	BUTTON SCREW & WASHER (M8x25)	6	
4	A400041100	STOPPER	4	
5	0010112025	BOLT (M12x25)	4	
6	0030110000	NUT (M10)	4	
7	0040212000	SPRING WASHER (M12)	4	
8	0040112000	WASHER (M12)	4	
9	A300034600	BRACKET CP	4	
10	E000010600	SCREW (M10x25)	4	
11	0010512020	BOLT & WASHER (M12x20)	4	
12	0030152000	WING NUT (M12)	4	
13	0040110000	WASHER (M10)	4	
14	0040210000	SPRING WASHER (M10)	4	

GLOBUG LIGHTING SYSTEM — BALLAST ASSY.

BALLAST ASSY.



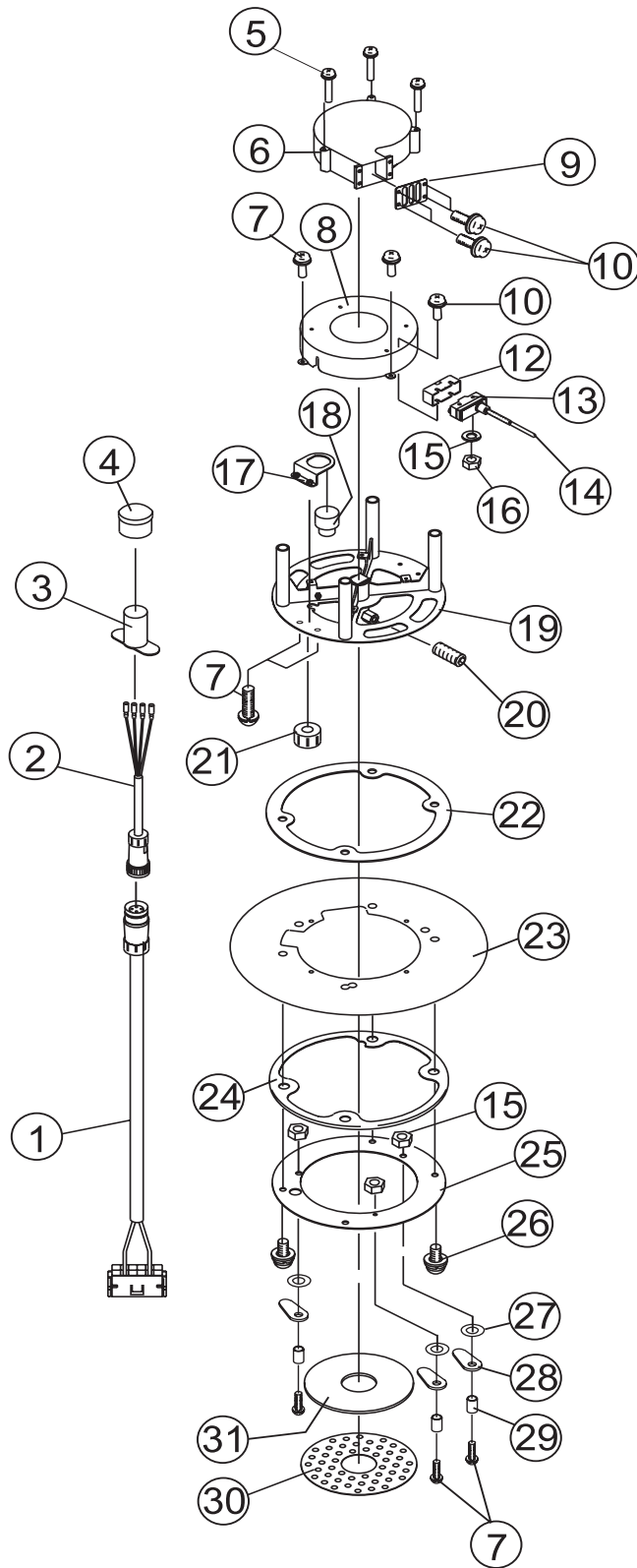
GLOBUG LIGHTING SYSTEM — BALLAST ASSY.

BALLAST ASSY.

<u>NO.</u>	<u>PART NO.</u>	<u>PART NAME</u>	<u>QTY.</u>	<u>REMARKS</u>
1	A300038400	CAPACITOR, 24 μ F @ 480 VDC	1	
2	0020304012	SCREW & WASHER (M4x12)	2	
3	A200018200	HOLDER	1	
4	0010508025	BOLT & WASHER (M8x25)	4	
5	A300033901	BALLAST HOLDER	1	
6	A300033800	BALLAST (TRANSFORMER) CP	1	
7	A300035200	CABLE (BALLAST) CP	1	
8	0020305090	SCREW (M5x90)	4	
9	0040105000	WASHER	8	
10	0030105000	NUT	4	

GLOBUG LIGHTING SYSTEM — FAN BLOWER/LAMP BASE ASSY.

FAN BLOWER/LAMP BASE ASSY.



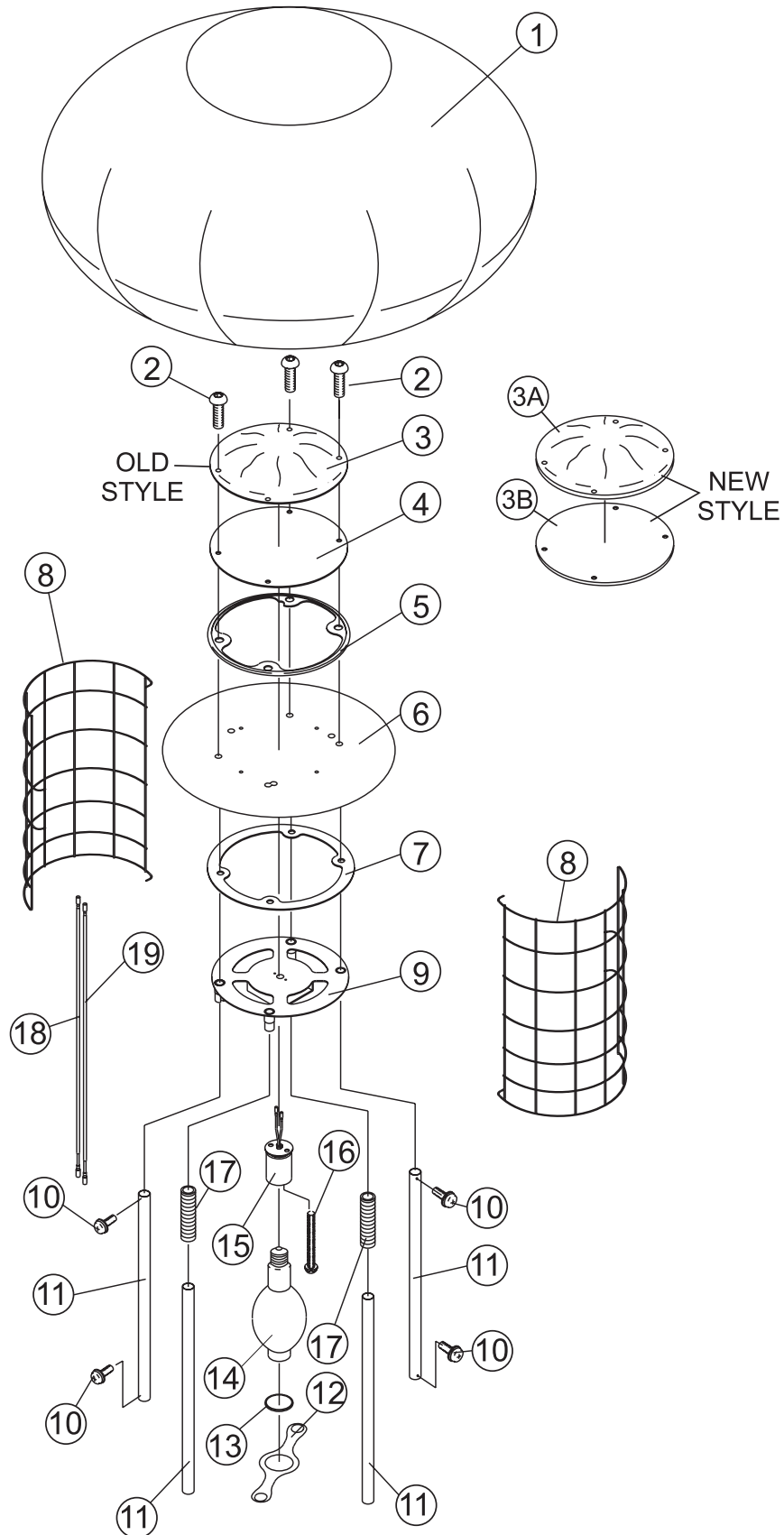
GLOBUG LIGHTING SYSTEM — FAN BLOWER/LAMP BASE ASSY.

FAN BLOWER/LAMP BASE ASSY.

<u>NO.</u>	<u>PART NO.</u>	<u>PART NAME</u>	<u>QTY.</u>	<u>REMARKS</u>
1	A300033700	CABLE 2 (BALLOON) CP	1	
2	A300033600	CABLE 1 (BALLOON) CP	1	
3	A400038900	COVER (WIRE)	1	
4	E000011900	COVER	1	
5	0020305050	SCREW & WASHER (M5x60)	3	
6	A300033500	FAN MOTOR CP	1	
7	0020404008	SCREW (M4x8)	9	
8	A200017702	FAN SUPPORT	1	
9	A400037400	GUARD (FAN)	1	
10	0020405008	SCREW (M5x8)	4	
11	0020204030	SCREW (M4x30)	2	
12	1400150310	MICRO SWITCH COVER	1	
13	1400150210	MICRO SWITCH	1	
14	1400150410	MICRO SWITCH CAP (SENSOR)	1	
15	0040104000	WASHER (M4)	2	
16	0030104000	NUT (M4)	5	
17	E000010500	BUZZER	1	
18	A400038600	BRACKET (BUZZER)	1	
19	A100013301	FLANGE	1	
20	0021710025	SET SCREW (M10x25)	1	
21	E000010400	CABLE CLAMP	1	
22	2204500130	SEAL (NORMAL)	1	
23	1800001100	SHEET (BOTTOM)	1	
24	2204500230	PACKING	1	
25	A300034400	PLATE (BOTTOM)	1	
26	0011808025	BUTTON SCREW & WASHER (M8x25)	8	
27	E000009700	WAVE WASHER (M5)	3	
28	A400030700	STOPPER (FILTER) CP	3	
29	E000009900	SPACER	3	
30	A200018000	PLATE (AIR)	1	
31	A400038300	FILTER 200 (AIR)	1	

GLOBUG LIGHTING SYSTEM — BALLOON/LAMP GUARD ASSY.

BALLOON/LAMP GUARD ASSY.



GLOBUG LIGHTING SYSTEM — BALLOON/LAMP GUARD ASSY.

BALLOON/LAMP GUARD ASSY.

<u>NO.</u>	<u>PART NO.</u>	<u>PART NAME</u>	<u>QTY.</u>	<u>REMARKS</u>
1	1800001200	BALLOON CLOTH CP	1	
2	0011808025	BUTTON SCREW & WASHER (M8 X 25)	8	
3	A100013400	PRIMARY COVER	1	NO LONGER AVAILABLE
3A	A100028600	BALLOON COVER	1	REPLACES P/N A100013400 S/N G10001 & ABOVE
3B	A300060202	SEAL (TOP)	1	S/N G10001 & ABOVE
4	2204220130	PLATE (CAP)	1	
5	2204500230	PACKING	1	
6	1800001000	SHEET (TOP)	1	
7	2204500130	SEAL NORMAL (TOP)	1	
8	A100010800	LAMP GUARD	2	
9	A300026900	PLATE (LAMP)	1	
10	0021404008	SCREW & WASHER (M4x8)	16	
11	2204400131	FRAME PIPE	4	
12	A300032700	PLATE (LAMP HOLDER)	1	
13	2204231730	RUBBER (LAMP)	1	
14	E000009800	LAMP	1	
15	E000009601	SOCKET ASSY	1	
16	0020304020	SCREW & WASHER (M4x20)	2	
17	2204231530	SPRING (LAMP)	2	
18	A400038400	CABLE (LAMP) 1 R CP	1	
19	A400038500	CABLE (LAMP) 1 G CP	1	