

# Parts Identification

ConstructionParts.com

888-634-4289

## PARTS SCHEMATIC CP400AK

Please provide following information:

- Model number
- Serial number (if any)
- Part description and number as shown in parts list

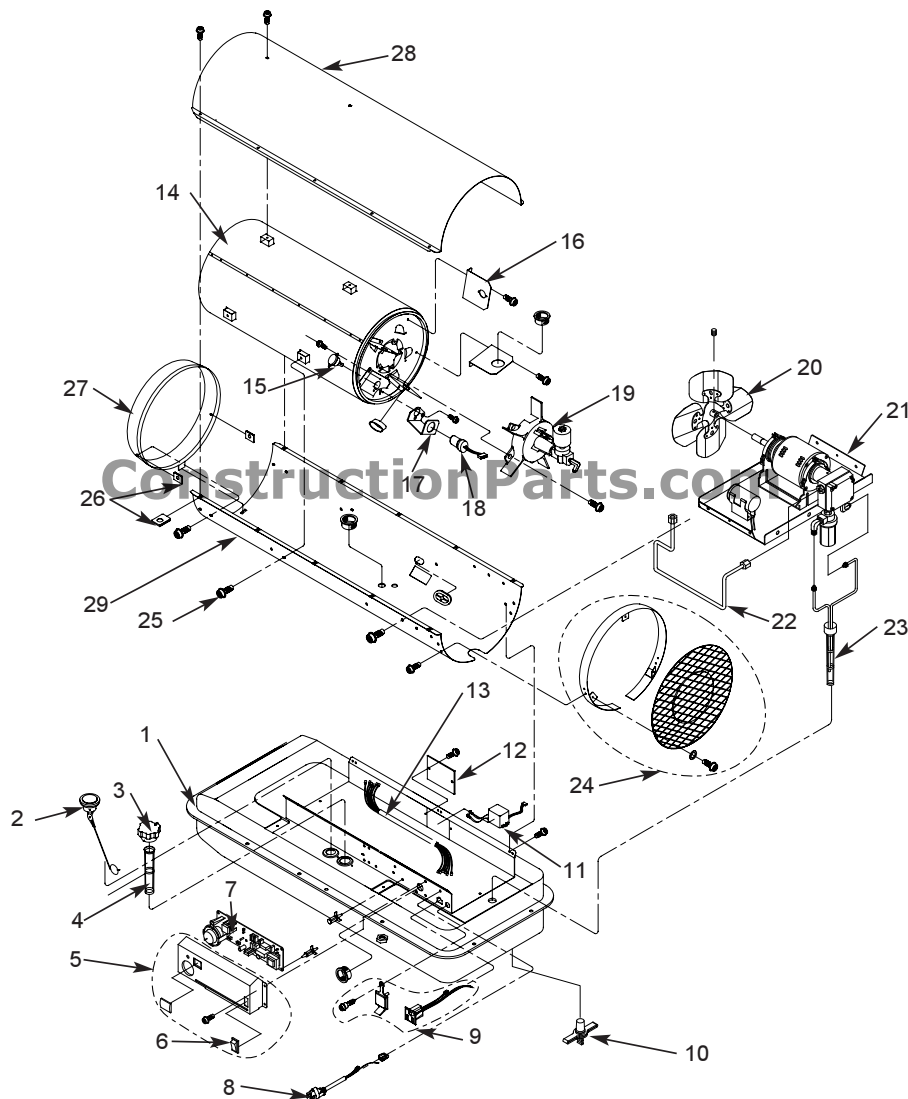


Figure 28- Repair Parts Illustration for Portable Oil-Fired Heaters Models CP400AK

ConstructionParts.com

888-634-4289

## PARTS LIST CP400AK

Reference Number	Description	Part Number for Models: CP400AK
1	Fuel Tank	572147
2	Fuel Gauge	572152
3	Fuel Cap	572157
4	Fuel Filling Filter	572156
5	Control Cover	572301
6	Power Switch	572252
7	Main P.C.B. Assembly	572241
8	Power Cord	572160
9	Electrical Outlet Assembly	572288
10	Drain Plug	572176
11	Ignition Transformer	572299
12	Ignition Transformer Cover	572247
13	Burner Harness	572291
14	Combustion Chamber	572182
15	Temperature Limit Control	572297
16	Air Deflectors (Qty. 5)	572295
17	Photocell Bracket	572185
18	Photocell Assembly	572187
19	Burner Assembly	See Page 24
20	Fan Assembly	572236
21	Motor Assembly	See Page 25
22	Fuel Line	572289
23	Filler Neck Assembly	572286
24	Fan Guard Assembly	572268
25	Screw (12-pack)	572282
26	Clip Nut (6-pack)	572284
27	Outlet Cone	572293
28	Upper Shell	572303
29	Lower Shell	572167

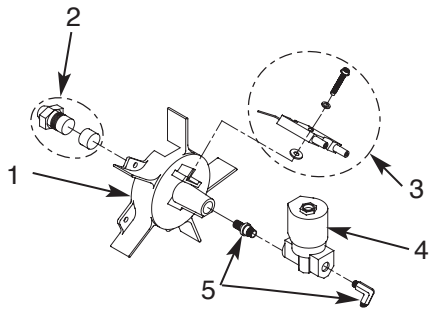
# Parts Identification

## PARTS SCHEMATIC BURNER HEAD CP400DK/CP650DK

For Repair Parts,  
call 1-800-345-~~7200~~ **7200**

Please provide following information:

- Model number
- Serial number (if any)
- Part description and number as shown in parts list



Ref. No.	Description	Part No. for Models:	
		CP400DK	CP650DK
1	Burner Head	-----572305-----	
2	Nozzle Assembly	572197	572198
3	Spark Plug Assembly	572201	572203
4	Solenoid	-----572308-----	
5	Solenoid Fittings	-----572309-----	

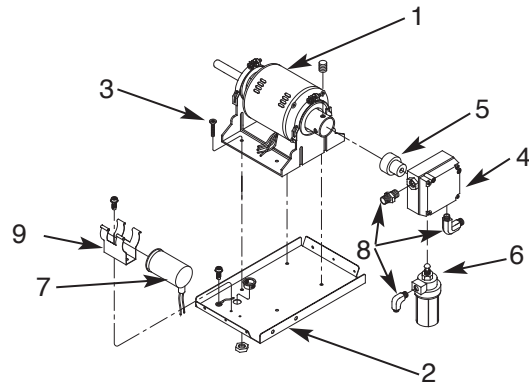
Figure 30- Burner head for CP400DK & CP650DK

# Parts Identification

## PARTS SCHEMATIC MOTOR ASSEMBLY CP400DK/CP650DK

**For Repair Parts,  
call 1-800-345-7200**

Please provide following information:  
 -Model number  
 -Serial number (if any)  
 -Part description and number as shown in parts list



Ref. No.	Description	Part No. for Models:	
		CP400DK	CP650DK
1	Motor	572212	572213
2	Motor Support	572221	572222
3	Motor Hardware Kit	-----572310-----	
4	Fuel Pump	572306	572307
5	Motor/Pump Coupler Kit	-----572311-----	
6	Fuel Filter	-----572312-----	
7	Capacitor	572216	572217
8	Filter/Pump Fittings	-----572313-----	
9	Capacitor Holder	-----572250-----	

Figure 31- Motor assembly for CP400DK & CP650DK

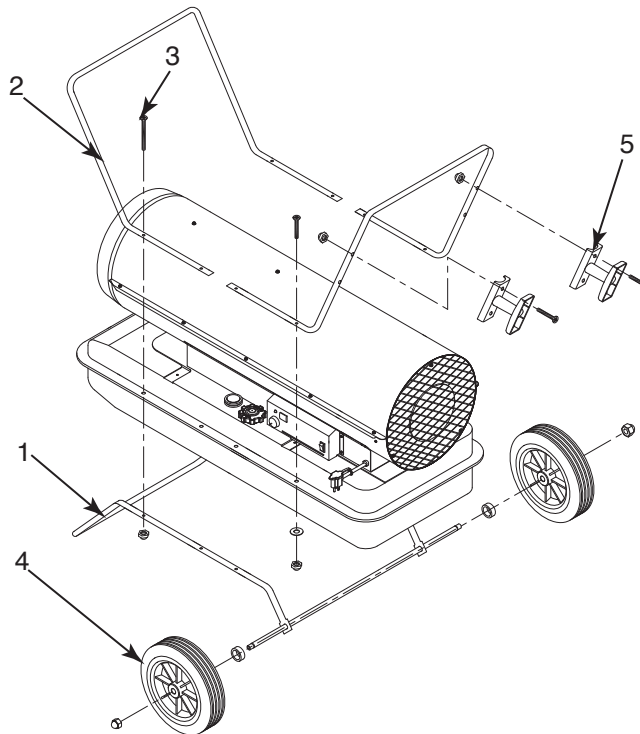
# Parts Identification

## PARTS SCHEMATIC HANDLE / WHEELS ASSEMBLY CP400DK

For Repair Parts,  
call 1-800-345-7200

Please provide following information:

- Model number
- Serial number (if any)
- Part description and number as shown in parts list



Ref. No.	Description	Part No. for Models: CP400DK
1	Wheel Support/Axle Kit	572741
2	Upper Handle Kit	572315
3	Hardware Kit	572314
4	Wheels Kit	572740
5	Cordwarp Kit	572318

Figure 32- Handle wheels assembly CP400DK

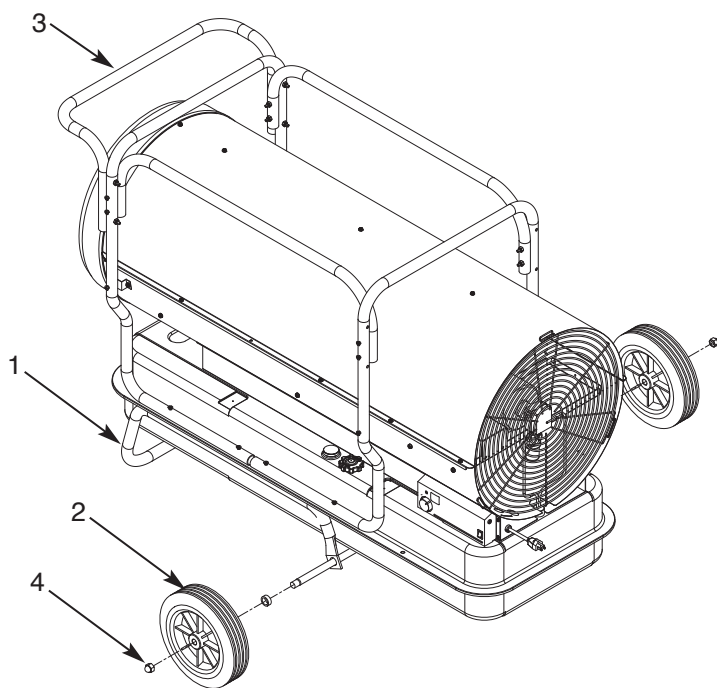
# Parts Identification

## PARTS SCHEMATIC HANDLE / WHEELS ASSEMBLY CP650DK

For Repair Parts,  
call 1-800-345-7200

Please provide following information:

- Model number
- Serial number (if any)
- Part description and number as shown in parts list



Ref. No.	Description	Part No. for Models: CP650DK
1	Wheel Support/Axle Kit	572321
2	Wheels Kit	572322
3	Upper Handle Kit	572320
4	Hardware Kit	572319

Figure 33- Handle wheels assembly CP650DK