



CD616/CD1824 HYDRAULIC CORE DRILL

6 PARTS LISTS

Each item number on the following parts lists can be matched with the item number shown on the corresponding assembly drawing as indicated in the following sections.

6.1 HYDRAULIC PARTS

Refer to Figure 6-1.

Item Number	Part Number	Quantity	Description
1	6015302	1	HANDLE ASSEMBLY
2	6015301	1	FLOW CONTROL
3	5604684	2	FITTING
4	6015307	1	LOGIC ELEMENT
5	1697502	2	HOSE ASSEMBLY
6	6001886	1	COUPLING FEMALE
7	6001885	1	NIPPLE MALE

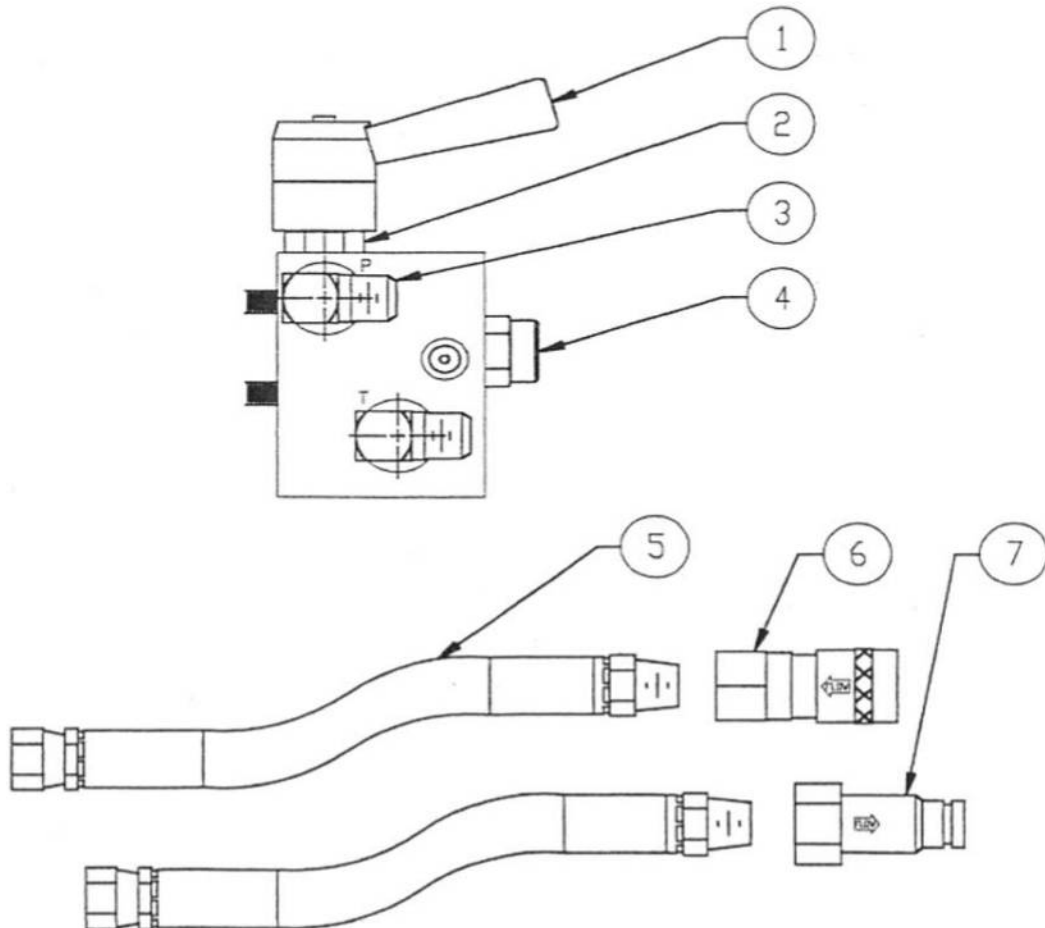


Figure 6-1.
CD616/CD1824 Hydraulic Parts

6.2 #1704560 HYDRAULIC PILLOW BLOCK

Refer to Figure 6-2.

Item Number	Part Number	Quantity	Description
1	1799905	1	SPINDLE SHAFT
2	1700013	2	TAPERED BEARING
3	1700014	2	BEARING RACE
4	1799901	1	SHIM (SPECIFY WIDTH)
5	4699910	1	PILLOW BLOCK
6	2900119	2	1/2"-13 X 1-3/4" CAP SCREW
7	2900062	1	GREASE FITTING, 1/8" NPT
8	4641010	1	KEY, 1/2" SQUARE X 4" LONG
	4699922	1	KEY, 1/2"-3/8" X 4" LONG (FOR M1 STAND)
9	7400021	2	WATER SEAL
10	4699920	1	WATER HOUSING
11	2900120	4	3/8"-16 X 3" CAP SCREW
12	1799921	1	WATER PETCOCK WITH HOSE FITTING

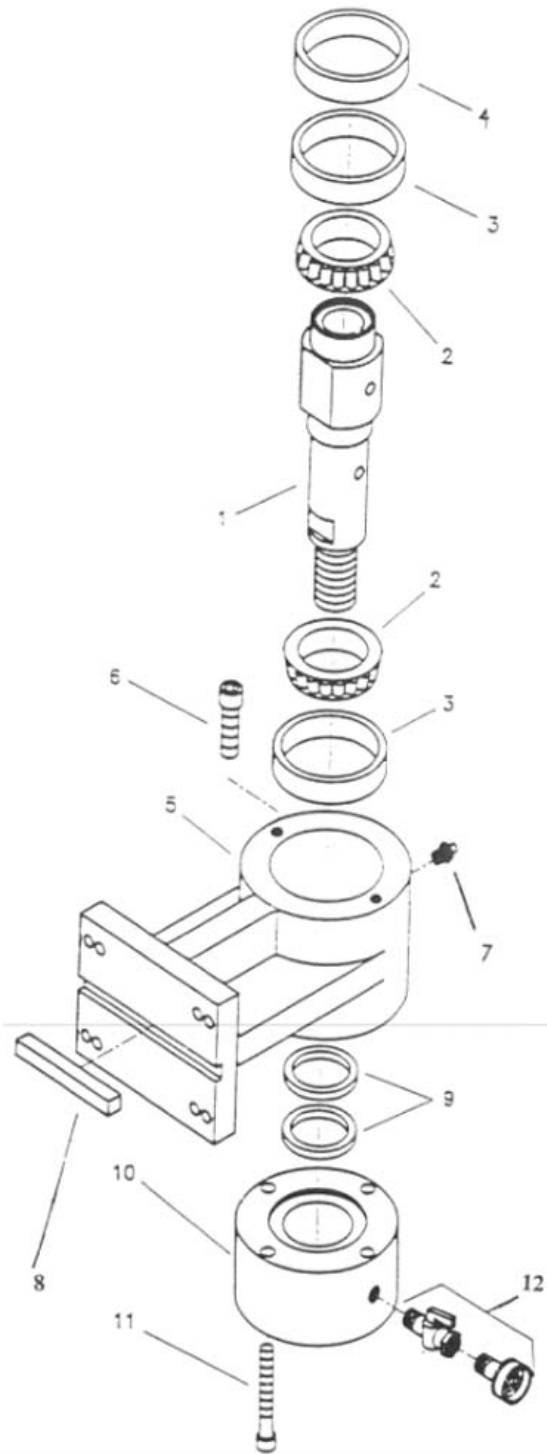


Figure 6-2.
CD616/CD1824 Hydraulic Pillow Block

6.3 M2 DRILL STAND

Refer to Figure 6-3.

Item Number	Part Number	Quantity	Description
1	1741002	1	42" MAST ASSEMBLY includes #2 & #3
1	4641068	1	42" ANGLE MAST ASSEMBLY includes #2 & #3
2	2400170	1	GEAR RACK (only), 32"
3	4641076	1	MAST TOP With PINS
4	2900207	4	DOWEL PIN (only)
5	1741060	1	COMBO BASE includes #6-27
5	4641070	1	ANGLE COMBO BASE includes #6-21-32
6	4641025	1	COMBO BASE only
6	4641075	1	ANGLE COMBO BASE only
7	1741024	1	VACUUM GASKET
8	2900081	4	SQUARE HEAD SET SCREW 5/8X3
9	4645022	1	VACUUM PLATFORM
10	2900087	4	SOCKET HEAD CAP SCREW #10X5/8
11	2900016	4	FLAT WASHER #10
12	2900086	3	HEX HEAD CAPSCREW 1/2X1
13	2900127	1	FLAT WASHER 1/2
14	4600046	1	SLOT CAP ASSEMBLY includes #15-18
15	1700004	1	SLOT CAP
16	1715030	1	SLOT CAP GASKET
17	2400130	1	SLOT CAP KNOB
18	2400169	1	KNOB GASKET
19	2900146	1	HEX HEAD CAPSCREW 5/8X4
20	2900099	1	HEX HEAD CAPSCREW 5/8X3-1/2
21	2900256	1	JAM NUT 5/8
22	4645046	1	WHEEL ASSEMBLY includes #23-26
23	2900085	4	COTTER PIN 3/32X1
24	2900128	4	FLAT WASHER 5/8
25	2400004	2	WHEEL 6"
26	4645033	1	WHEEL MOUNT BRACKET
27	2900084	2	SPLITLOCK WASHER 1/2
28	4645078	1	ANGLE WHEEL ASSEMBLY includes #23-25,29&30
29	4645064	1	ANGLE WHEEL MOUNT BRACKET
30	4645071	1	WHEEL AXLE
31	2900097	1	HEX HEAD CAPSCREW 1X4-3/4
32	2900098	1	JAM NUT 1
33	4641077	1	ANGLE BRACE ASSEMBLY includes #34-38
34	4645063	1	LOWER BRACE
35	4645061	1	UPPER BRACE
36	2900095	1	L-BOLT 5/16
37	4641069	1	MAST BRACKET
38	2900103	1	SOCKET HEAD CAP SCREW 5/16X1
39	4241105	1	SMALL ANCHOR BASE ASSEMBLY includes #12,19,21-27,40,&41
39	4641071	1	SMALL ANGLE ANCHOR BASE ASSEMBLY includes #12,19,21,27-32,40,&41
40	4641004	1	SMALL ANCHOR BASE ONLY
40	4641072	1	SMALL ANGLE ANCHOR BASE ONLY
41	2900100	4	SQUARE HEAD SET SCREW 5/8X4
42	4241063	1	LARGE ANCHOR BASE ASSEMBLY includes #13,19,25,43-46
43	4641005	1	LARGE ANCHOR BASE ONLY

6.3 M2 DRILL STAND (continued)

Item Number	Part Number	Quantity	Description
44	2900105	2	HEX HEAD CAPSCREW 1/2X2-3/4
45	4641006	2	WHEEL BUSHING
46	2900104	4	SQUARE HEAD SET SCREW 5/8X6
47	1704559	1	CARRIAGE ASSEMBLY includes #48-75
48	4641017	1	CARRIAGE HOUSING
49	4641013	1	CARRIAGE PLATE
50	2900103	8	SOCKET HEAD CAP SCREW 5/16X1
51	1741015	1	SPOKE HANDLE ASSEMBLY includes #52-54
52	1741016	4	SPOKE HANDLE
53	4641019	1	HANDLE HOUSING
54	2900124	5	SOCKET HEAD CAP SCREW 3/8X1-3/4
55	1747124	1	PINION GEAR ASSEMBLY includes #56-60
56	2400006	1	BRONZE BEARING 1-1/4X7/8
57	4641022	1	PINION GEAR
58	2400005	1	BRONZE BEARING 7/8X3/4
59	2900101	5	SOCKET HEAD SET SCREW 1/4X3/8
60	2900056	1	SOCKET HEAD SET SCREW 1/4X1/4
61	2900078	1	CARRIAGE LOCK 1/2
62	4641011	1	BRASS SHIM & SCREW ASSEMBLY includes #63-68
63	1741020	2	SHIM 2-1/2X9
64	2900102	8	FLAT HEAD BRASS CAPSCREW 1/4X1/2
65	1741018	1	SHIM 2-1/2X10
66	2900074	4	FLAT HEAD BRASS CAPSCREW 1/4X5/8
67	1741012	2	SHIM 5/8X9
68	2900075	4	FLAT HEAD BRASS CAPSCREW 1/4X1
69	2900077	4	SOCKET HEAD SET SCREW 1/4X7/8
70	4641009	1	MOTOR MOUNT ASSEMBLY includes #54,71-75
71	4641042	1	MOTOR MOUNT PLATE
72	4641010	1	KEY 1/2X4
73	2900089	4	SOCKET HEAD CAP SCREW 1/4-28X1 (DEWALT MOTORS ONLY)
74	2900088	4	SOCKET HEAD CAP SCREW 1/4-20X1 (MILWAUKEE MOTORS ONLY)
75	4645006	1	KEY 3/8X4
76	4648033	1	MOTOR MOUNT ASSEMBLY (WEKA) includes #54,72,77-79
77	4648034	1	MOTOR MOUNT PLATE (WEKA)
78	2900161	4	SOCKET HEAD CAP SCREW M8X25MM
79	2900263	1	KEY 10X100MM

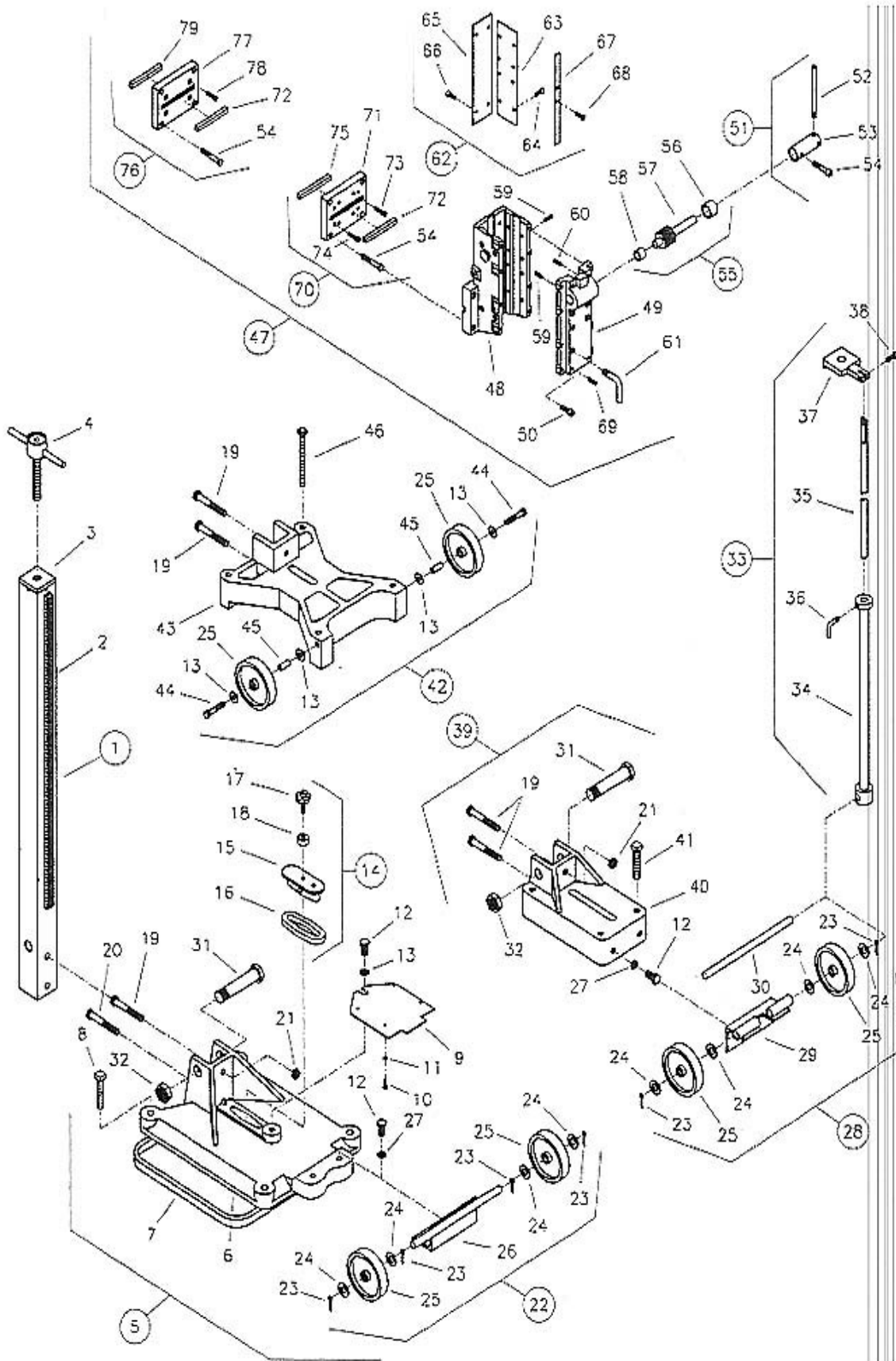


Figure 6-3.
M2 Drill Stand