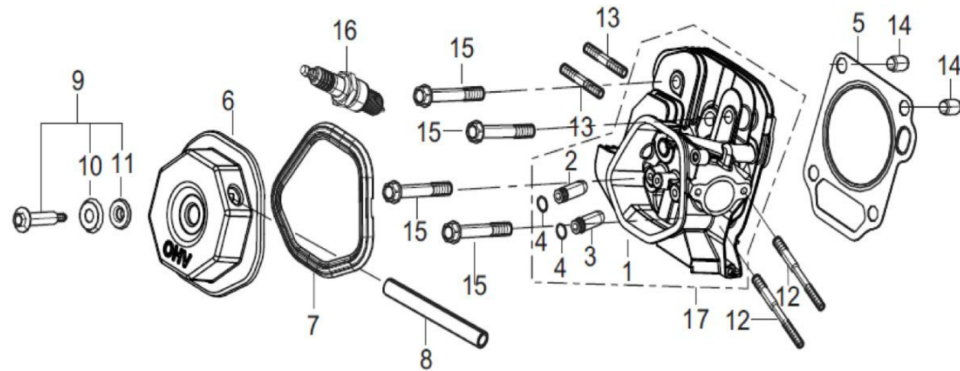




Mi-T-M Corporation / Engines / 1-0216 / 1-0216 / 1-0216 (sn:0-99999999)

## Cylinder Head Subassembly

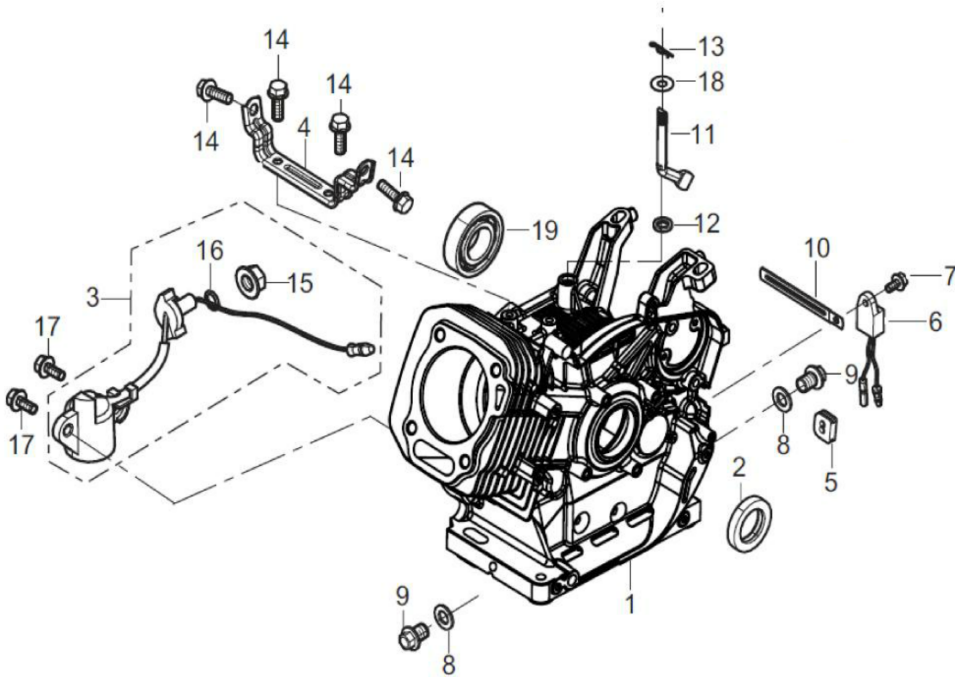


Id	Item #	Description	Quantity	Rev	Comments
5	45-0415	GASKET CYLINDER HEAD	1		
6	45-0252	CYLINDER HEAD COVER SUBASSY	1		
7	45-0240	GASKET-CYLINDER HEAD COVER	1		
8	45-0297	TUBE-BREATHER	1		
9	45-0241	BOLT-CYLINDER HEAD COVER	1		
12	45-0322	STUD-CARBURETOR	2		
13	45-0323	STUD	2		
14	45-0330	PIN-CYLINDER HEAD	2		
15	45-0239	BOLT- CYLINDER HEAD	4		
16	45-0310	SPARK PLUG	1		
17	45-0416	CYLINDER HEAD SUBASSY	1		



Mi-T-M Corporation / Engines / 1-0216 / 1-0216 / 1-0216 (sn:0-99999999)

## Crankcase/governor gear Assembly



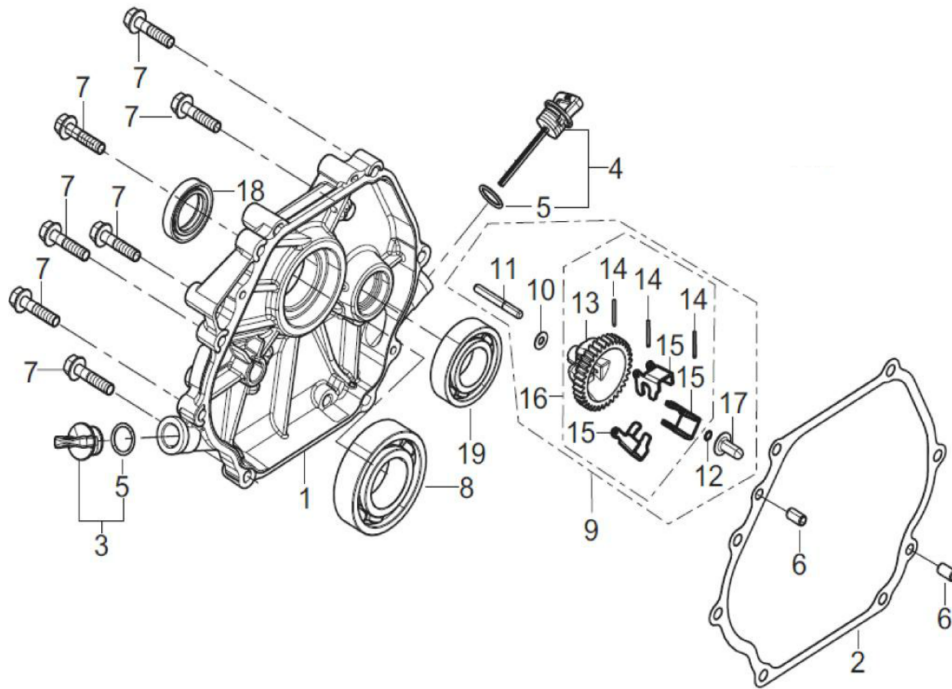
Id	Item #	Description	Quantity	Rev	Comments
1	45-0417	CRANKCASE SUBASSY	1		
2	45-0385	SEAL-OIL	1		
3	45-0314	SENSOR-ENGINE OIL	1		
4	45-0286	BRACKET-CRANKCASE REAR	1		
5	45-0306	PLUG-DRAIN	1		
6	45-0313	PROTECTOR-OIL	1		
7	45-0315	BOLT-OIL PROTECTOR	1		
8	45-0326	WASHER-DRAIN PLUG	2		
9	45-0236	BOLT-DRAIN PLUG	2		
10	45-0335	CLIP	1		
11	45-0278	GOVERNOR ARM	1		
12	45-0334	SEAL-OIL	1		
13	45-0328	PIN	1		
14	45-0320	BOLT-CRANKCASE BRACKET REAR	4		
17	45-0316	BOLT	2		

<b>Id</b>	<b>Item #</b>	<b>Description</b>	<b>Quantity</b>	<b>Rev</b>	<b>Comments</b>
18	45-0327	WASHER-GOVERNOR ARM	1		
19	45-0331	BALL BEARING	1		



Mi-T-M Corporation / Engines / 1-0216 / 1-0216 / 1-0216 (sn:0-99999999)

## Crankcase Cover Subassembly

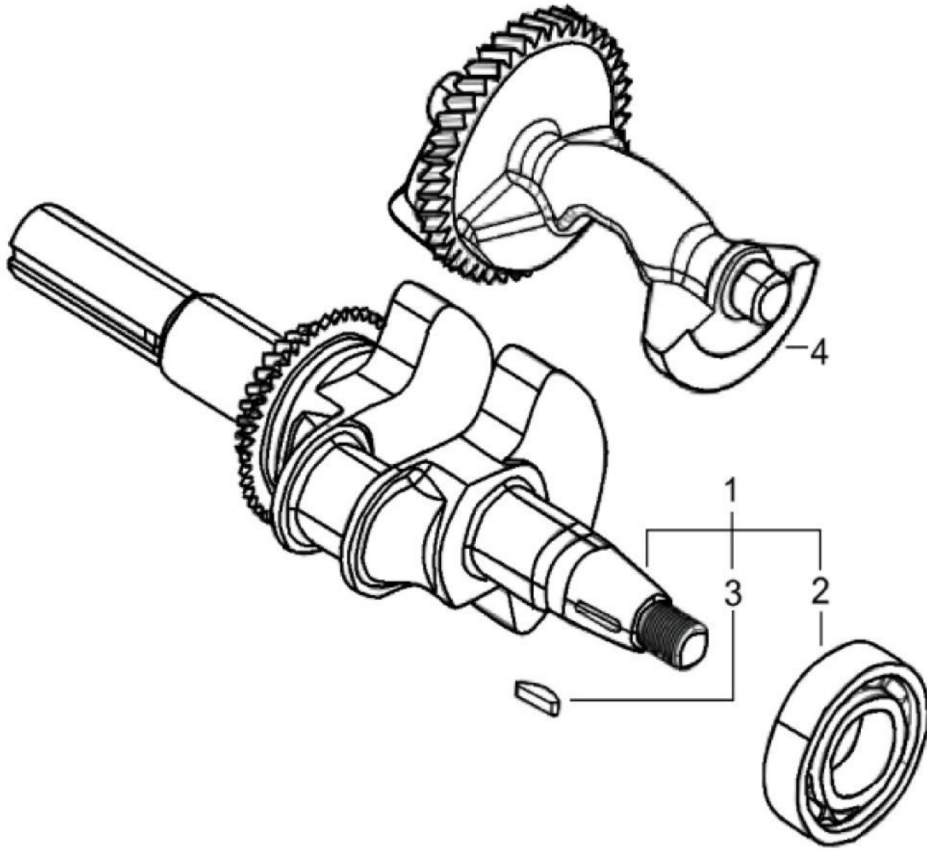


Id	Item #	Description	Quantity	Rev	Comments
1	45-0418	CRANKCASE COVER	1		
2	45-0419	GASKET-CRANKCASE	1		
3	45-0273	OIL PLUG SUBASSY	1		
4	45-0272	DIPSTICK SUBASSY-OIL	1		
6	45-0329	PIN	2		
7	45-0321	BOLT-CRANKCASE	7		
8	45-0420	BEARING-CRANKSHAFT	1		
9	45-0284	GOVERNOR GEAR ASSY	1		
18	45-0385	OIL SEAL	1		
19	45-0331	BEARING-GOV ARM	1		



Mi-T-M Corporation / Engines / 1-0216 / 1-0216 / 1-0216 (sn:0-99999999)

## Crankshaft Assembly

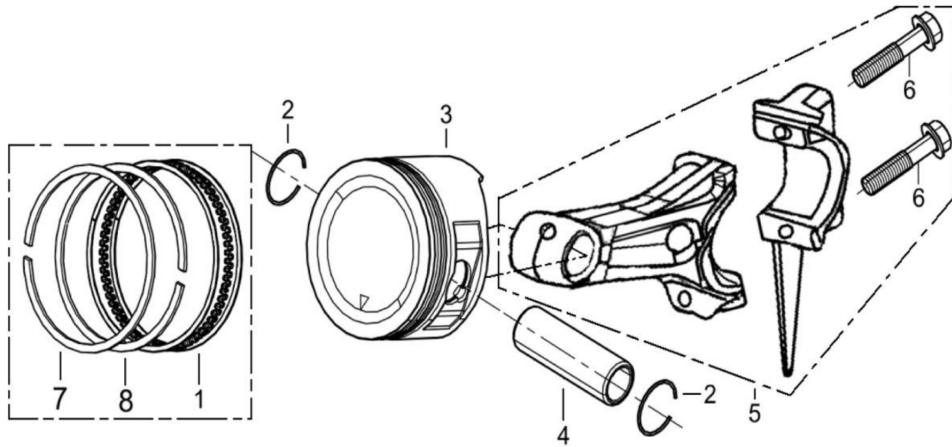


Id	Item #	Description	Quantity	Rev	Comments
1	45-0421	CRANKSHAFT ASSY	1		
4	45-0261	BALANCING SHAFT ASSY	1		



Mi-T-M Corporation / Engines / 1-0216 / 1-0216 / 1-0216 (sn:0-99999999)

## Piston Subassembly

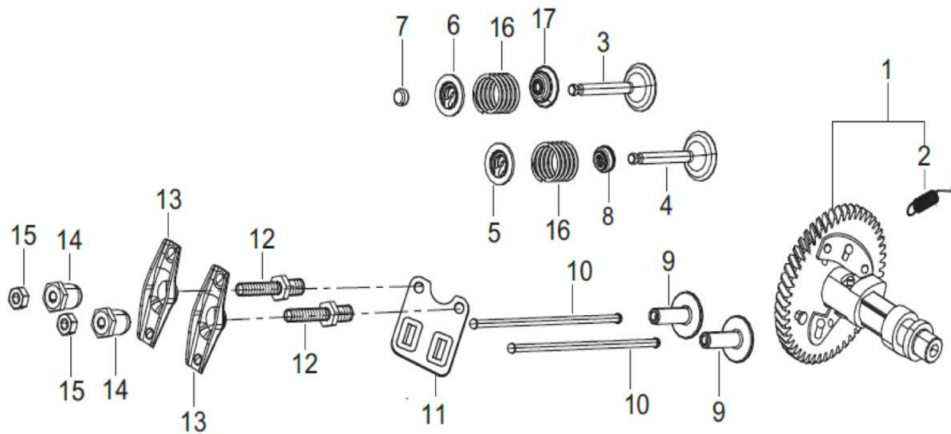


Id	Item #	Description	Quantity	Rev	Comments
1	45-0422	RING SET-OIL	1		
2	45-0256	CLIP-PISTON PIN	2		
3	45-0423	PISTON	1		
4	45-0255	PIN-PISTON	1		
5	45-0253	ROD-CONNECTING	1		
7	45-0424	RING-THE FIRST	1		
8	45-0425	RING-THE SECOND	1		



Mi-T-M Corporation / Engines / 1-0216 / 1-0216 / 1-0216 (sn:0-99999999)

## Valve Train//Camshaft Subassembly

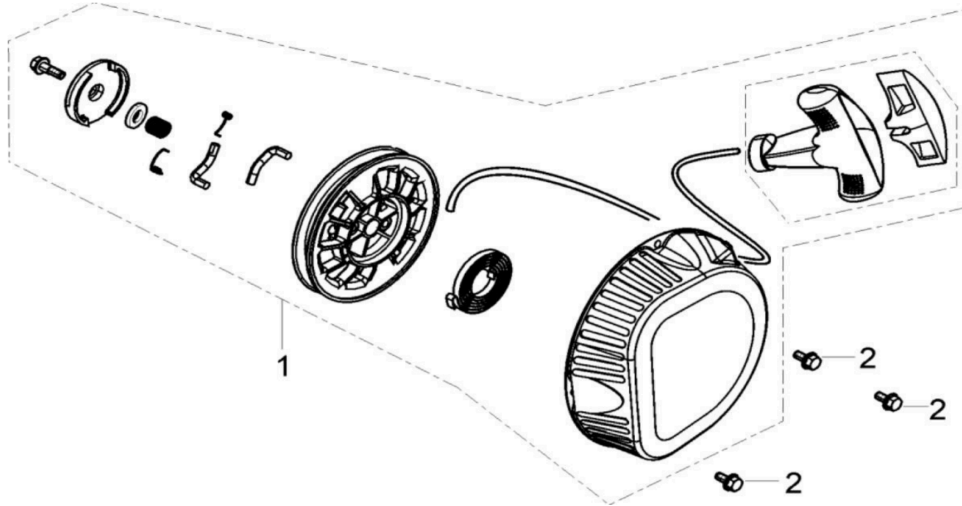


Id	Item #	Description	Quantity	Rev	Comments
1	45-0426	CAMSHAFT ASSY	1		
3	45-0427	VALVE-EXHAUST	1		
4	45-0428	VALVE-INTAKE	1		
5	45-0248	SEAT-VALVE SPRING	1		
6	45-0246	EXHAUST VALVE-RETAINER	1		
7	45-0244	VALVE-ROTATOR	1		
8	45-0242	GUIDE-SEAL	1		
9	45-0429	VALVE-TAPPET	2		
10	45-0430	VALVE LIFTER SUBASSY	2		
11	45-0266	LIFTER STOPPER PLATE SUBASSY	1		
12	45-0270	BOLT-VALVE ADJUSTING	2		
13	45-0268	VALVE-ROCKER	2		
14	45-0271	NUT-VALVE ADJUSTING	2		
15	45-0269	NUT-VALVE LOCK	2		
16	45-0243	VALVE-SPRING	2		
17	45-0245	RETAINER-VALVE SPRING	1		



Mi-T-M Corporation / Engines / 1-0216 / 1-0216 / 1-0216 (sn:0-99999999)

## Recoil Starter

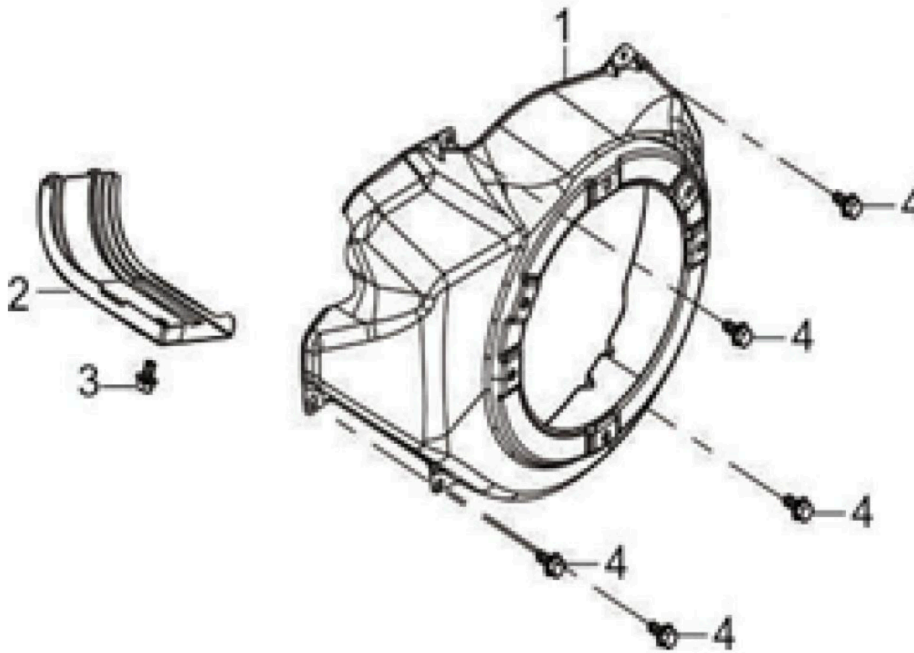


Id	Item #	Description	Quantity	Rev	Comments
1	45-0579	RECOIL STARTER ASSY	1		
2	45-0315	BOLT-RECOIL STARTER	3		



Mi-T-M Corporation / Engines / 1-0216 / 1-0216 / 1-0216 (sn:0-99999999)

## Shrouds

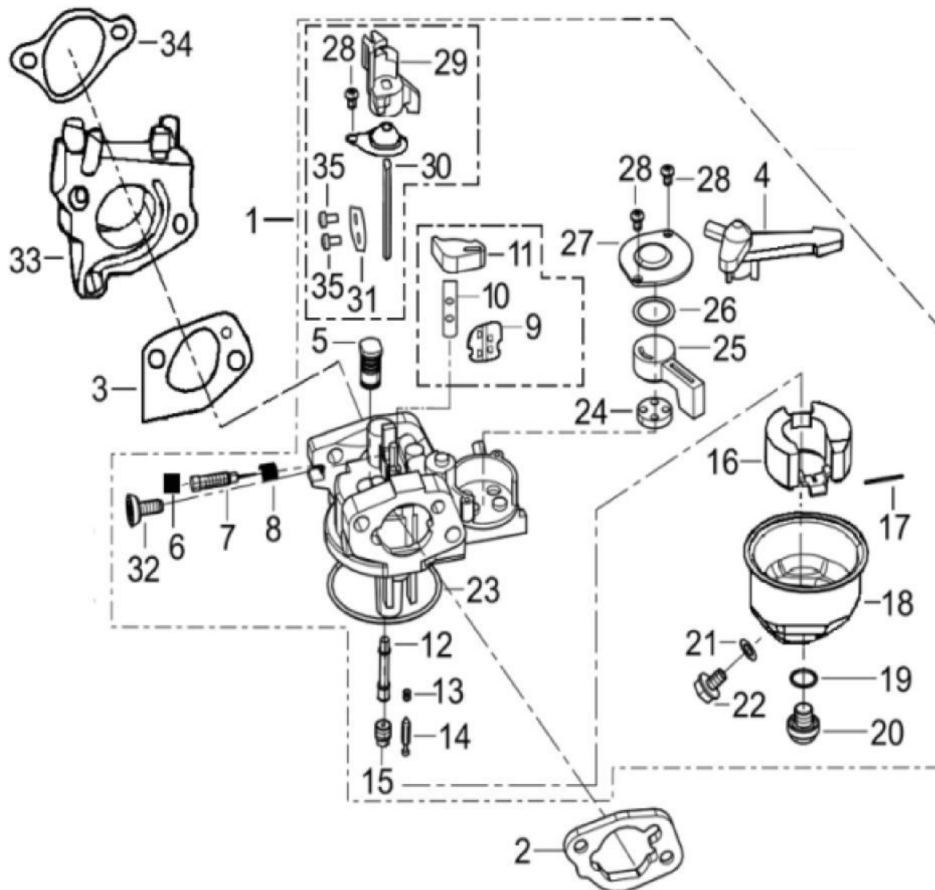


Id	Item #	Description	Quantity	Rev	Comments
1	45-0308	SHROUD-IMPELLER	1		
2	45-0431	SHROUD-CYLINDER BODY	1		
3	45-0315	BOLT	1		
4	45-0315	BOLT	5		
5	45-0312	ENGINE SWITCH/STOP	41		



Mi-T-M Corporation / Engines / 1-0216 / 1-0216 / 1-0216 (sn:0-99999999)

## Carburetor Assembly

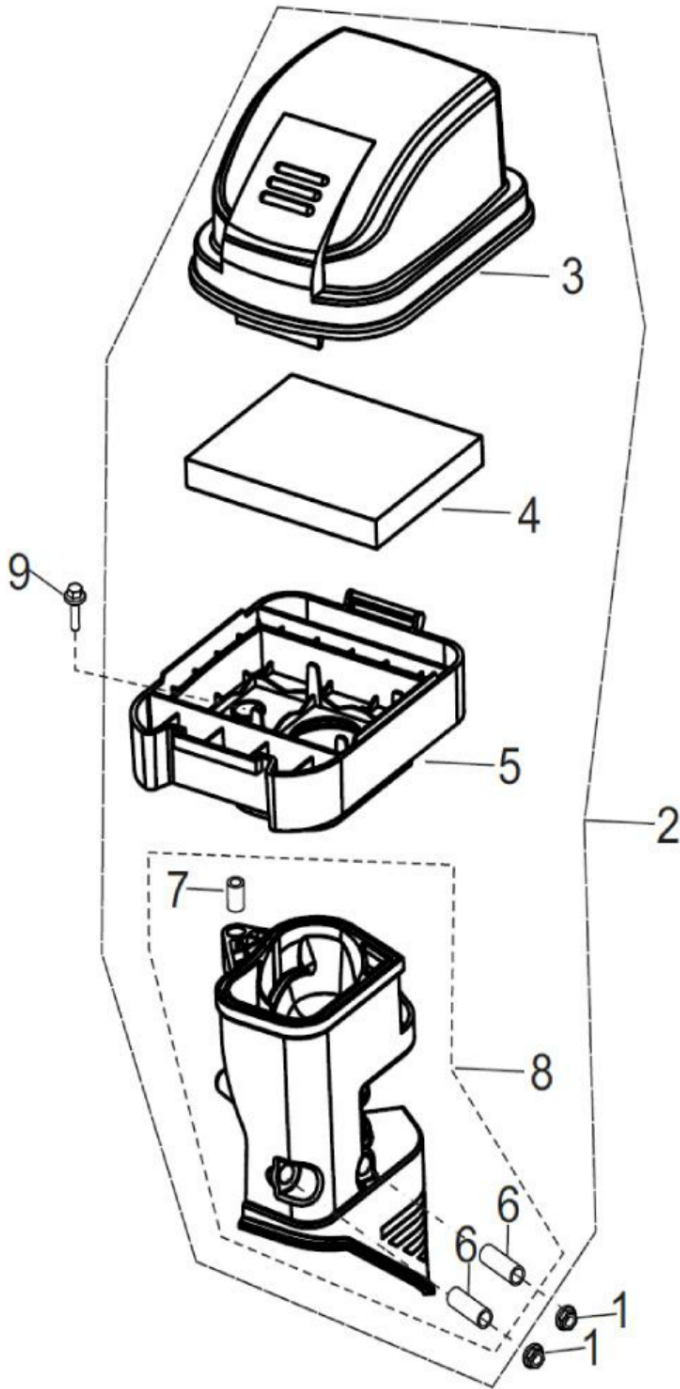


Id	Item #	Description	Quantity	Rev	Comments
1	45-0432	CARBURETOR ASSY	1		
2	45-0295	GASKET-AIR CLEANER	2		
3	45-0275	GASKET-CARBURETOR	1		
33	45-0276	PLATE-CARBURETOR INSULATOR	1		
34	45-0296	GASKET-CARBURETOR INSULATOR	1		



Mi-T-M Corporation / Engines / 1-0216 / 1-0216 / 1-0216 (sn:0-99999999)

## Air Cleaner



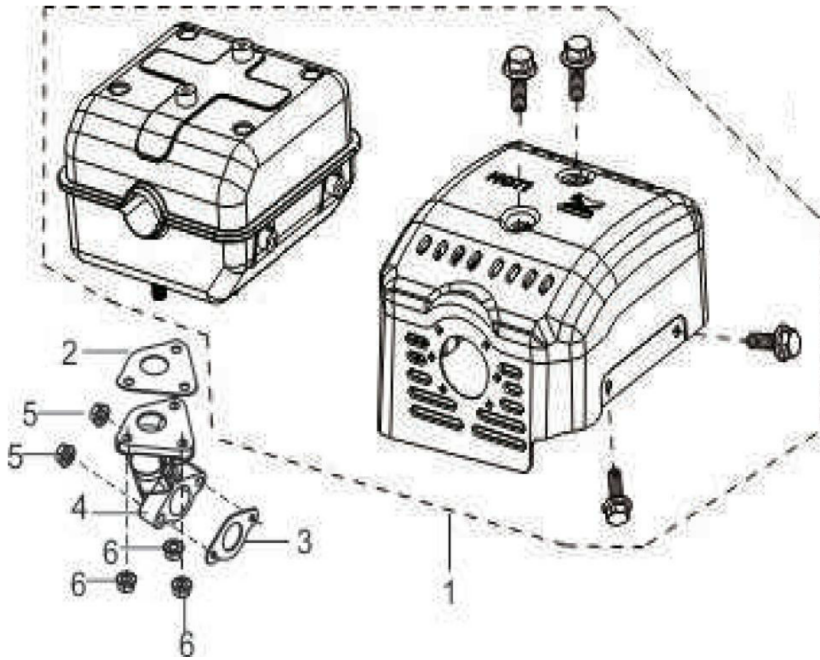
Id	Item #	Description	Quantity	Rev	Comments
1	45-0324	NUT	2		

<b>Id</b>	<b>Item #</b>	<b>Description</b>	<b>Quantity</b>	<b>Rev</b>	<b>Comments</b>
2	45-0433	AIR CLEANER	1		
4	45-0388	AIR CLEANER-PAD	1		
9	45-0319	BOLT	1		



Mi-T-M Corporation / Engines / 1-0216 / 1-0216 / 1-0216 (sn:0-99999999)

## Muffler Assembly

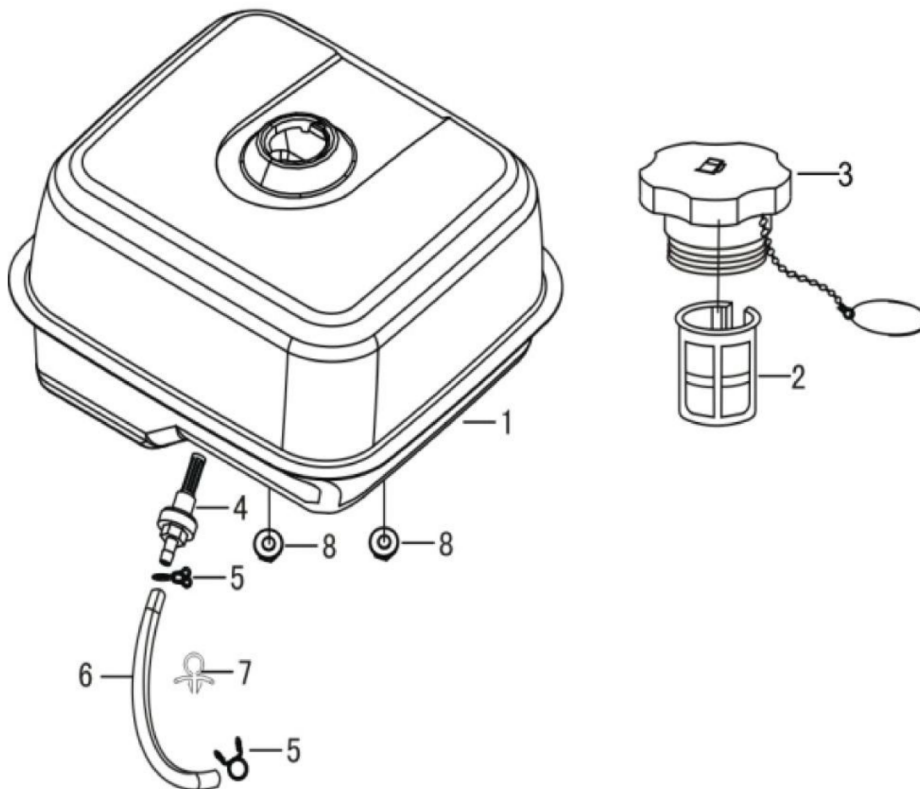


Id	Item #	Description	Quantity	Rev	Comments
1	45-0434	MUFFLER ASSY-420CC	1		
2	45-0371	GASKET-MUFFLER	1		
3	45-0435	GASKET-EXHAUST OUTLET	1		
4	45-0439	EXHAUST-OUTLET	1		
5	45-0325	NUT	2		
6	45-0325	NUT	3		



Mi-T-M Corporation / Engines / 1-0216 / 1-0216 / 1-0216 (sn:0-99999999)

## Fuel Tank Assembly

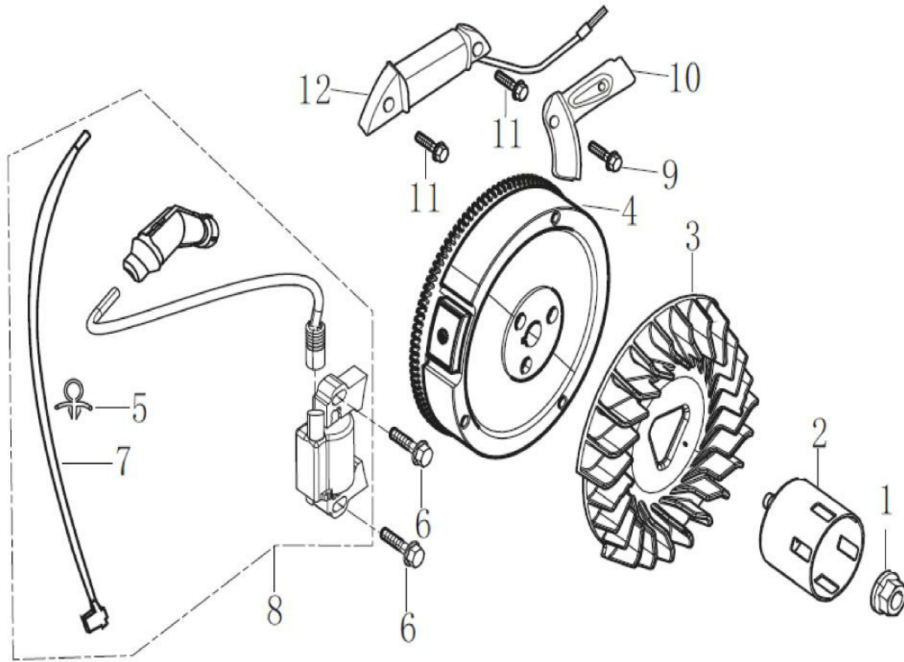


Id	Item #	Description	Quantity	Rev	Comments
1	45-0413	FUEL TANK 420CC	1		
2	45-0411	STRAINER-FUEL	1		
3	45-0412	CAP-FUEL TANK	1		
4	45-0289	FUEL TANK- OIL SUBASSY	1		
5	45-0337	CLAMP	2		
6	45-0339	HOSE-FUEL SUPPLY	1		
7	45-0336	CLIP	1		
8	45-0436	NUT-FUEL TANK	2		



Mi-T-M Corporation / Engines / 1-0216 / 1-0216 / 1-0216 (sn:0-99999999)

## Flywheel//Impeller/Starter Pulley/Ignition Coil

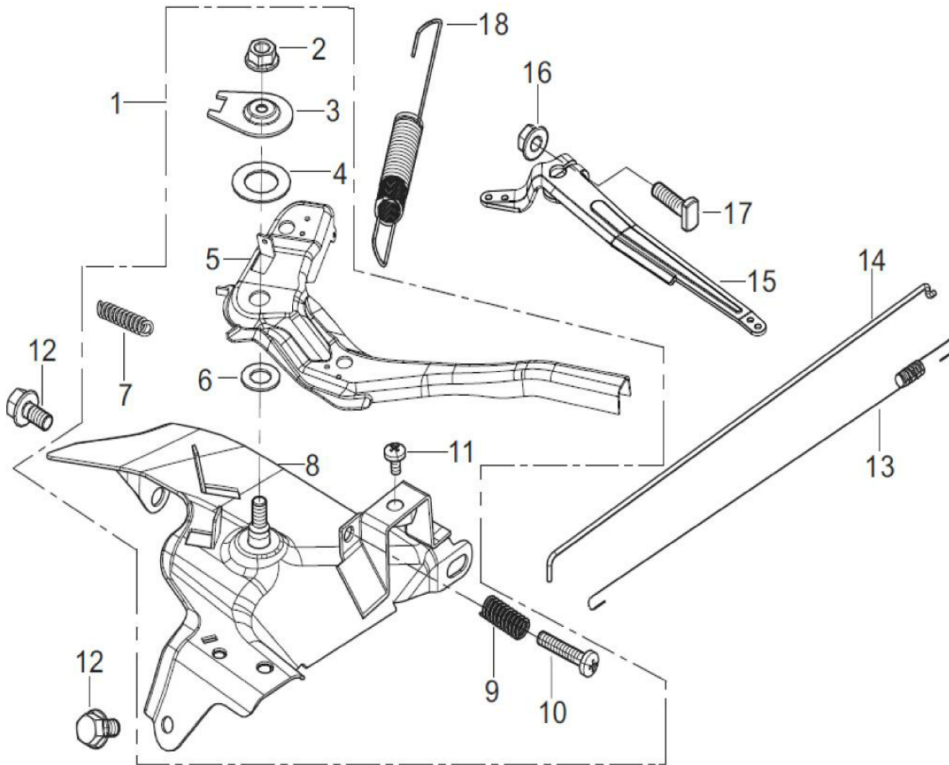


Id	Item #	Description	Quantity	Rev	Comments
1	45-0262	NUT-FLYWHEEL	1		
2	45-0305	PULLEY-STARTER	1		
3	45-0437	IMPELLER	1		
4	45-0438	FLYWHEEL SUBASSY	1		
5	45-0311	COIL-IGNITION	1		
6	45-0596	BOLT	2		
8	45-0311	IGNITION COIL SUBASSY	1		
9	45-0318	BOLT-COIL CLAMP	1		
10	45-0440	CLAMP-CHARGE COIL	1		
11	45-0318	BOLT-CHARGE COIL	2		
12	45-0441	CHARGE COIL SUBASSY	1		



Mi-T-M Corporation / Engines / 1-0216 / 1-0216 / 1-0216 (sn:0-99999999)

## Throttle Control Assembly

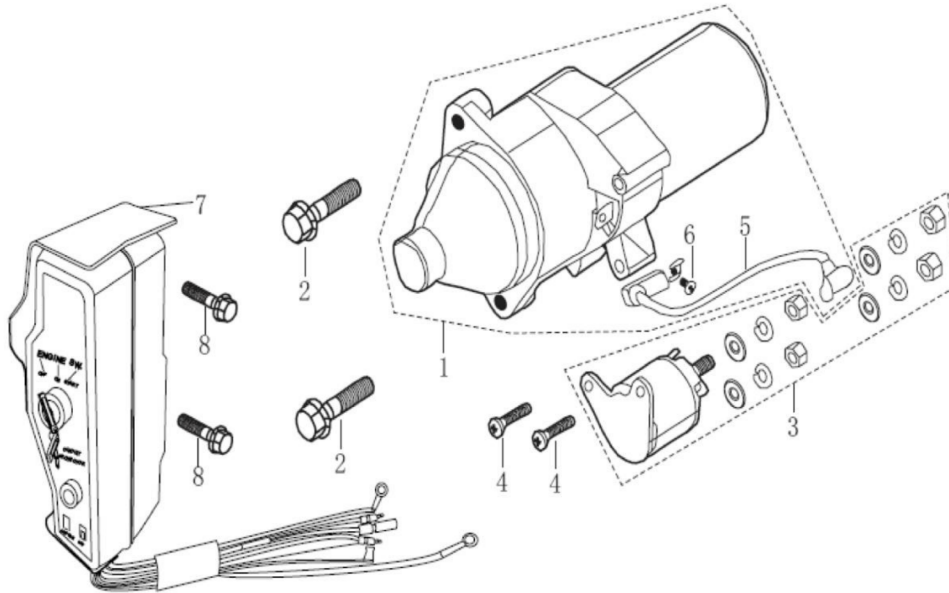


Id	Item #	Description	Quantity	Rev	Comments
1	45-0285	THROTTLE CONTROL ASSY	1		
12	45-0315	BOLT	2		
13	45-0277	SPRING-THROTTLE VALVE RETURN	1		
14	45-0279	ROD-GOVERNEOR	1		
15	45-0281	GOVERNOR SUPPORT SUBASSY	1		
16	45-0324	NUT	1		
17	45-0282	BOLT-GOVERNOR SUPPORT	1		
18	45-0280	SPRING-GOVERNOR	1		



Mi-T-M Corporation / Engines / 1-0216 / 1-0216 / 1-0216 (sn:0-99999999)

## Motor Starter Assembly



Id	Item #	Description	Quantity	Rev	Comments
1	45-0442	MOTOR STARTING ASSY	1		
2	45-0389	BOLT-MOTOR STARTER	2		
3	45-0443	STARING RELAY	1		
4	45-0445	BOLT-STARTING RELAY	2		
7	45-0444	CONTROL SWITCH	1		
8	45-0315	BOLT-CONTROL SWITCH	2		