

PARTS MANUAL



Mikasa SERIES
MODEL MVH-R60H/W
REVERSIBLE PLATE COMPACTOR
(HONDA GX120K1SM12 GASOLINE ENGINE)

Revision #2 (06/11/20)

THIS MANUAL MUST ACCOMPANY THE EQUIPMENT AT ALL TIMES.

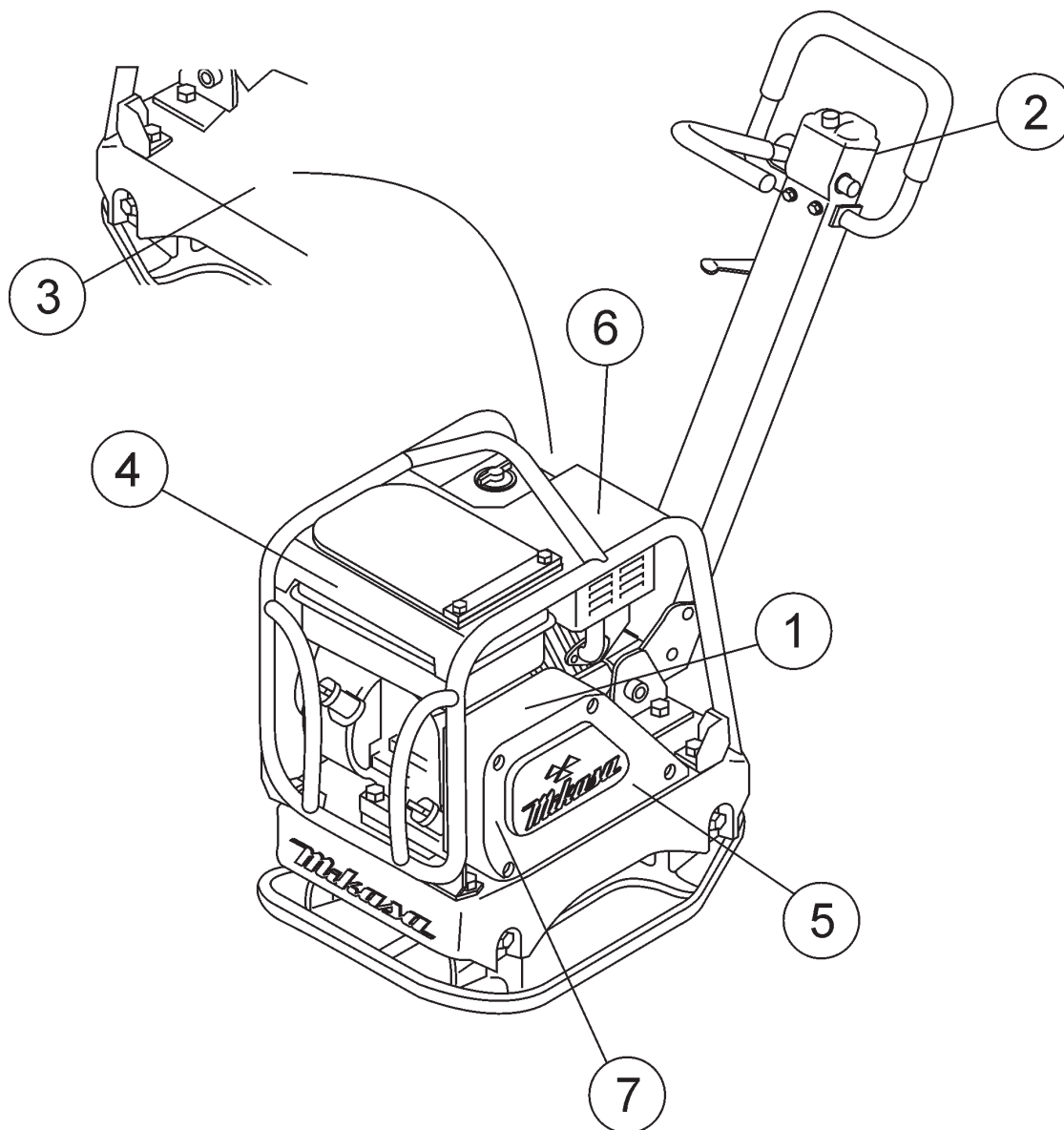
MVH-R60H with HONDA GX120K1SM12 ENGINE

1 to 5 Units

<u>Qty.</u>	<u>P/N</u>	<u>Description</u>
3	070100312	V-BELT
4	939010250	SHOCK ABSORBER
3	9807956846	SPARK PLUG
1	28462ZH8003...	ROPE, RECOIL STARTER
3	17210ZE0822 ...	ELEMENT, AIR CLEANER
1	17620ZH7023...	FUEL CAP
1	17672ZE2W01 .	FUEL FILTER, FUEL TANK

MVH-R60H — NAME PLATES AND DECALS

NAME PLATES ASSY.



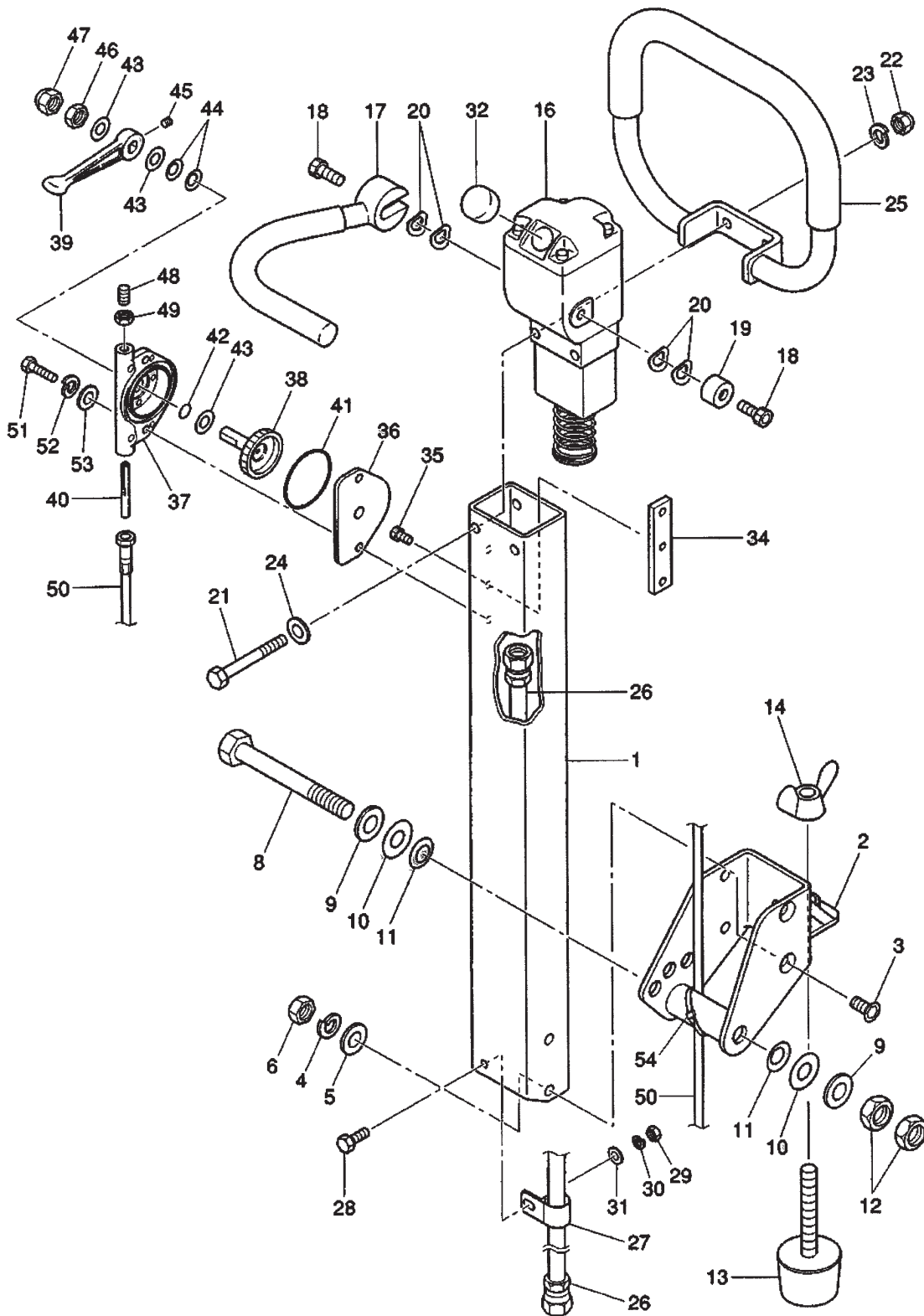
MVH-R60H — NAME PLATES AND DECALS

NAMEPLATE AND DECALS

<u>NO</u>	<u>PART NO</u>	<u>PART NAME</u>	<u>QTY.</u>	<u>REMARKS</u>
1	920201580	DECAL, MQ MARK 71X55	1	
2	920207480	DECAL, SHELL TELLUS OIL 46	1	
3		DECAL, SERIAL NO.	1 CONTACT PARTS DEPT.
4	920110000	DECAL, MVH-R60	1	
5	920207420	DECAL, V-BELT RPF-3320	1	
6	920209520	DECAL, OPERATIONAL CAUTION	1	
7	920201650	DECAL, OIL SAE 10W30	1	

MVH-R60H — CONTROL HANDLE ASSY.

CONTROL HANDLE ASSY.



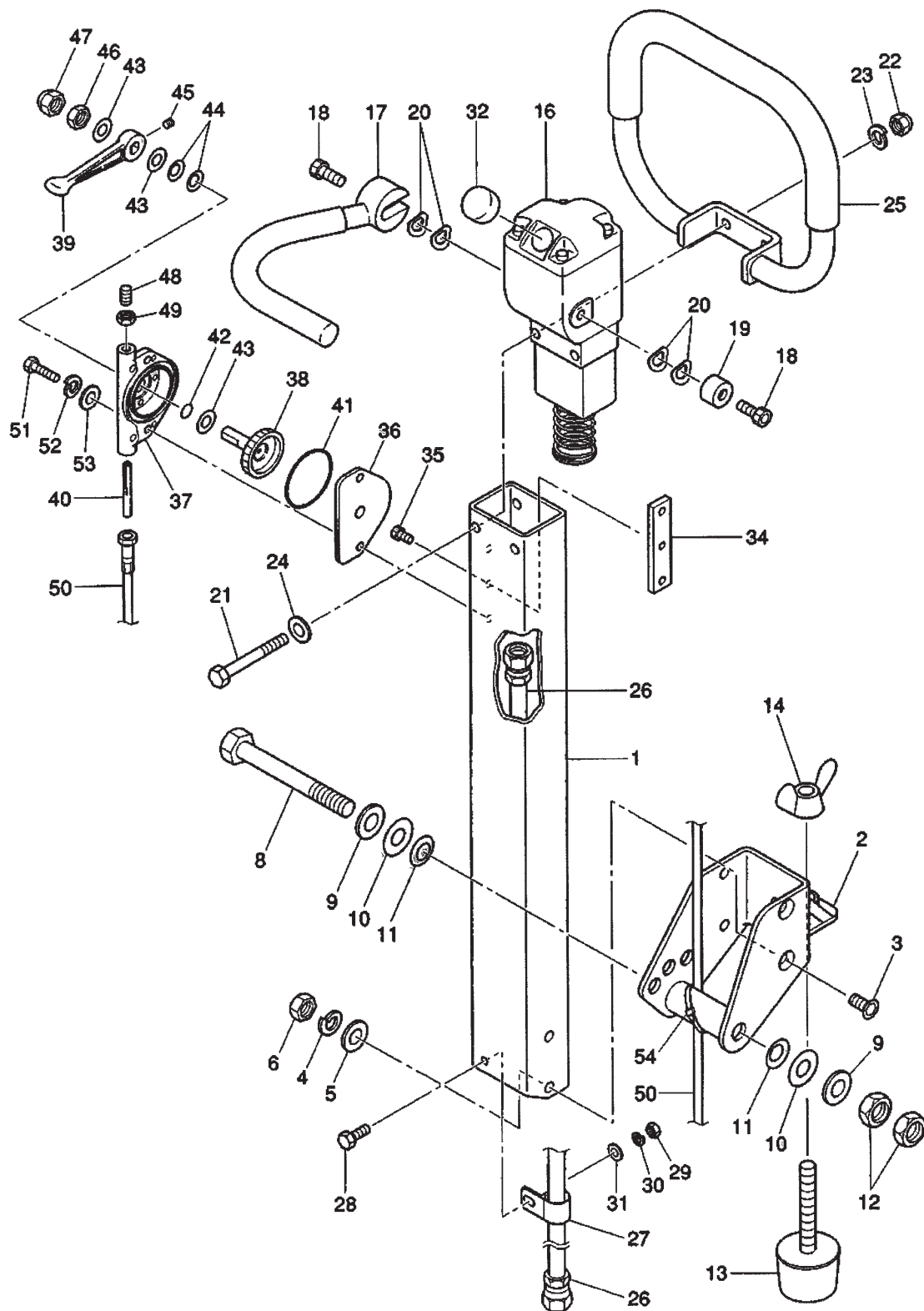
MVH-R60H — CONTROL HANDLE ASSY.

CONTROL HANDLE ASSY.

<u>NO</u>	<u>PART NO</u>	<u>PART NAME</u>	<u>QTY.</u>	<u>REMARKS</u>
1	463342840	HANDLE	1	
2	463342860	BRACKET, HANDLE	1	
3	009120408	SUNK HEAD BOLT 8X20 T	5	
4	030208200	WASHER, LOCK M8	5	
5	031108160	WASHER, FLAT M8	5	
6	020308060	NUT M8	5	
6	022610808	FLANGE NUT M8 H	5	
8	001221464	BOLT 14X120 T	1	
9	031114260	WASHER, FLAT M14	2	
10	463456190	WASHER 14.4X32X0.6	2	
11	032114250	CONICAL SPRING WASHER M14	2	
12	020314110	NUT M14	2	
13	939010220	SHOCK ABSORBER, STOPPER	1	
14	022910220	WING NUT M12	1	
16	463342190	HAND PUMP ASSY.	1	
17	463342130	TRAVEL LEVER	1	
18	001520820	SOCKET HEAD BOLT 8X20 T	2	
19	458451420	COLLAR/MVH-120	1	
20	033910030	WAVE WASHER 15.5X20X0.3	4	
21	001220854	BOLT 8X70 T	2	
22	022130806	CAP NUT M8	2	
23	030208200	WASHER, LOCK M8	2	
24	031108160	WASHER, FLAT M8	2	
25	463342150	HANDLE GRIP	1	
26	954002620	OIL HOSE 730L	1	
26	954002621	OIL HOSE 780L	1	
27	954404230	CLAMP SA120-18	1	
28	001220620	BOLT 6X20 T	1	
29	020306050	NUT M6	1	
30	030206150	WASHER, LOCK M6	1	
31	031106100	WASHER, FLAT M6	1	
32	463455940	BREATHER CAP	1	
34	463455960	THROTTLE NUT	1	
35	001520510	SOCKET HEAD BOLT 5X10 T	1	

MVH-R60H — CONTROL HANDLE ASSY. (CONTINUED)

CONTROL HANDLE ASSY. (CONTINUED)



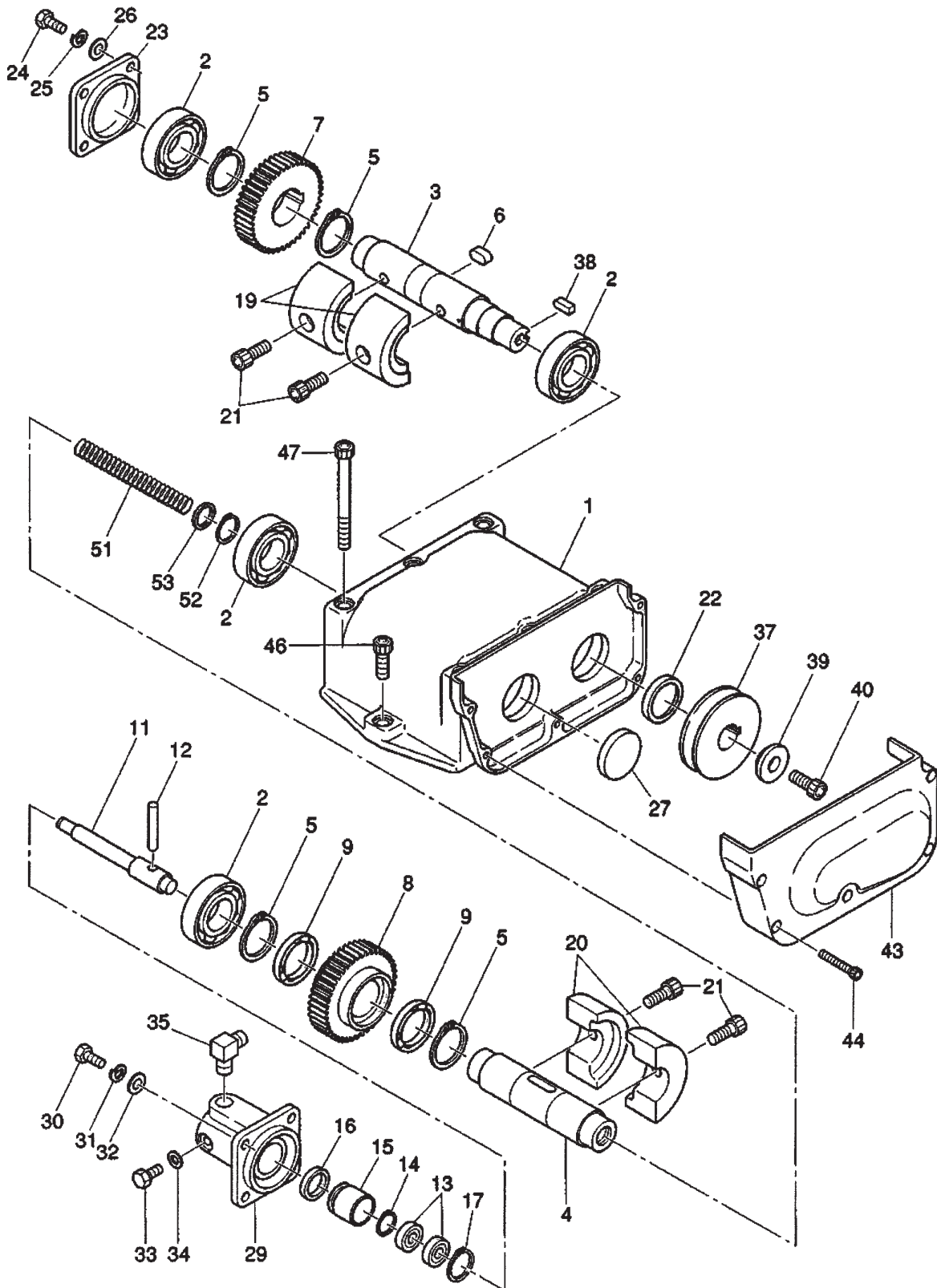
MVH-R60H — CONTROL HANDLE ASSY. (CONTINUED)

CONTROL HANDLE ASSY. (CONTINUED)

<u>NO</u>	<u>PART NO</u>	<u>PART NAME</u>	<u>QTY.</u>	<u>REMARKS</u>
36	463455950	SPACER, THROTTLE	1	
37	362341550	THROTTLE BODY	1	
38	362455610	THROTTLE GEAR	1	
39	362455630	THROTTLE LEVER	1	
40	362455620	SLIDER	1	
41	050100450	O-RING G-45	1	
42	050200100	O-RING P-10	1	
43	031110160	WASHER, FLAT M10	3	
44	033910070	CONICAL SPRING WASHER	2	
44	032110180	CONICAL SPRING WASHER M10	2	
45	096206006	SOCKET HEAD SCREW 6X6	1	
46	020410060	NUT M10, H+6	1	
47	022131008	CAP NUT M10	1	
48	096208020	SOCKET HEAD SCREW 8X20	1	
49	020408050	NUT M8, H+5	1	
50	956100047	THROTTLE WIRE 845-925	1	
51	001220625	BOLT 6X25 T	2	
52	030206150	WASHER, LOCK M6	2	
53	031106100	WASHER, FLAT M6	2	
54	511010040	CLAMP TC-300	1	

MVH-R60H — VIBRATOR ASSY.

VIBRATOR ASSY.

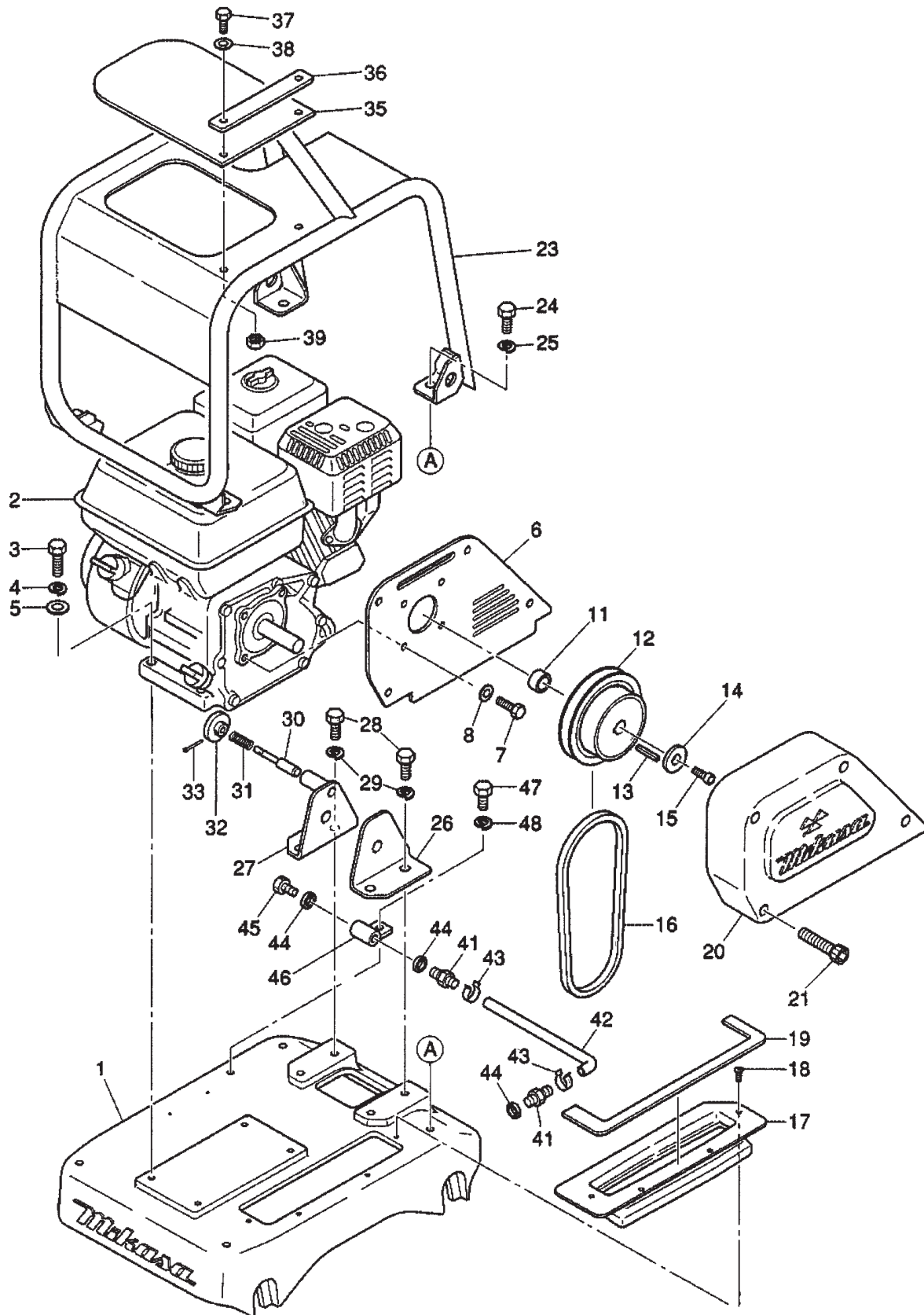


MVH-R60H — VIBRATOR ASSY.

VIBRATOR ASSY.

<u>NO</u>	<u>PART NO</u>	<u>PART NAME</u>	<u>QTY.</u>	<u>REMARKS</u>
1	463117150	VIBRATING CASE	1	
2	040406206	BEARING 6206C4	4	
3	463342040	ROTARY SHAFT, DRIVE	1	
4	463342050	ROTARY SHAFT, DRIVEN	1	
5	080200350	STOP RING S-35	4	
6	951405460	KEY 10X8X19 RR	1	
7	463342060	GEAR (DRIVE)	1	
8	463342070	GEAR (DRIVEN)	1	
9	040306807	BEARING 6807C3	2	
11	463342080	PISTON ROD	1	
12	025508045	PIN 8X45	1	
13	042506000	BEARING 6000ZZSG	2	
14	080200100	STOP RING S-10	1	
15	455435051	PISTON, 22.4D	1	
16	455010070	PACKING USH-22.4X30X5	1	
17	080100260	STOP RING R-26	1	
19	463455910	ECCENT. ROTATOR, DRIVE	2	
20	463455920	ECCENT. ROTATOR, DRIVEN	2	
21	009120304	SOCKET HEAD BOLT 10X25 T	4	
22	060202040	OIL SEAL SC-28458	1	
23	463455930	BEARING COVER	1	
24	001220820	BOLT 8X20 T	4	
25	030208200	WASHER, LOCK M8	4	
26	031108160	WASHER FLAT M8	4	
27	953405580	SEAL CAP SC-458	1	
29	463342090	CYLINDER	1	
30	001220820	BOLT 8X20 T	4	
31	030208200	WASHER, LOCK M8	4	
32	031108160	WASHER, FLAT M8	4	
33	001200812	BOLT 8X12	1	
34	953404600	COPPER PACKING 8X16X2	1	
35	954001160	ELBOW 90 DEG. PT1/4-PF1/4	1	
37	463342100	PULLEY 80D-A1	1	
38	951405240	KEY 7X7X19 R	1	
39	952406920	WASHER 9X(24-35)X10.5	1	
40	001520815	SOCKET HEAD BOLT 8X15 T	1	
43	463216110	BELT COVER (LOWER)	1	
44	001520640	SOCKET HEAD BOLT 6X40 T	5	
46	001521030	SOCKET HEAD BOLT 10X30 T	2	
47	001521060	SOCKET HEAD BOLT 10X100 T	6	
51	463456200	SPRING 1.2X15.6X130	1	
52	080100190	STOP RING R-19	1	
53	031108160	WASHER, FLAT M8	1	

BODY ASSY.



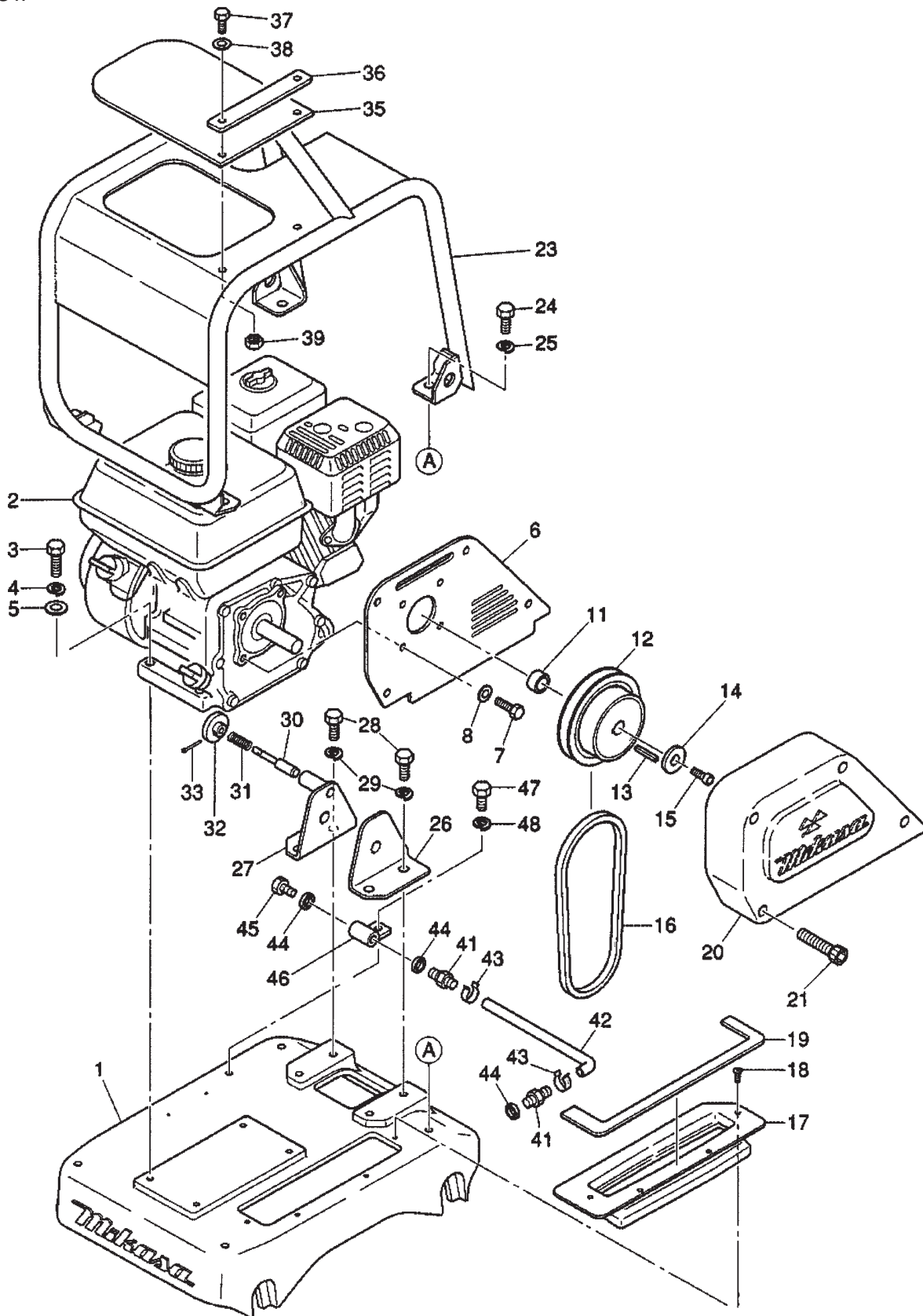
MVH-R60H — BODY ASSY.

BODY ASSY.

<u>NO</u>	<u>PART NO</u>	<u>PART NAME</u>	<u>QTY.</u>	<u>REMARKS</u>
1	463117120	BASE	1	
1	463117121	BASE (FRAME W/WATER TANK)	1	USE W/ ITEM 23 (GUARD FRAME W/WATER TANK)
2	912212004	ENGINE AY GX120K1SM12	1	
3	001220840	BOLT 8X40 T	4	
4	030208200	WASHER, LOCK M8	4	
5	031108160	WASHER,FLAT M8	4	
6	463342160	BELT COVER PLATE	1	
7	001220820	BOLT 8X20 T	4	
8	030208200	WASHER, FLAT M8	4	
11	463455900	SPACER 18X25.4X13	1	
12	460446780	CLUTCH ASSY.	1	
13	951400100	KEY 5X5X35	1	
14	460446640	WASHER, CLUTCH	1	
15	001520825	SOCKET HEAD BOLT 8X25 T	1	
16	070100322	V-BELT RPF-3320	1	
17	463216120	DUST COVER	1	
18	092006010	FLAT HEAD SCREW 6X10	4	
19	463342030	SPONGE, DUST COVER	1	
20	463117140	BELT COVER	1	
21	001520854	SOCKET HEAD BOLT 8X70 T	4	
23	463117131	GUARD FRAME	1	
23	463117500	GUARD FRAME W/WATER TANK	1	
24	001221030	BOLT 10X30 T	4	
24	001221230	BOLT 12X30 T	4	USE W/ ITEM 23 (GUARD FRAME W/WATER TANK)
25	030210250	WASHER, LOCK M10	4	
25	030212300	WASHER, LOCK M12	4	USE W/ ITEM 23 (GUARD FRAME W/WATER TANK)
26	463342010	STAY (L), HANDLE	1	
27	463342020	STAY (R), HANDLE	1	
27	463342021	STAY (R), HANDLE	1	USE W/ ITEM 23 (GUARD FRAME W/WATER TANK)
28	001221030	BOLT 10X30 T	4	
29	030210250	WASHER, LOCK M10	4	
30	458450860	STOPPER	1	
30	458450861	STOPPER	1	USE W/ ITEM 23 (GUARD FRAME W/WATER TANK)
31	458450880	SPRING 1.2-10-29	1	
32	458450850	GRIP	1	
33	025402516	SPRING PIN 2.5X16	1	
35	458450830	RUBBER COVER	1	

MVH-R60H — BODY ASSY.

BODY ASSY.



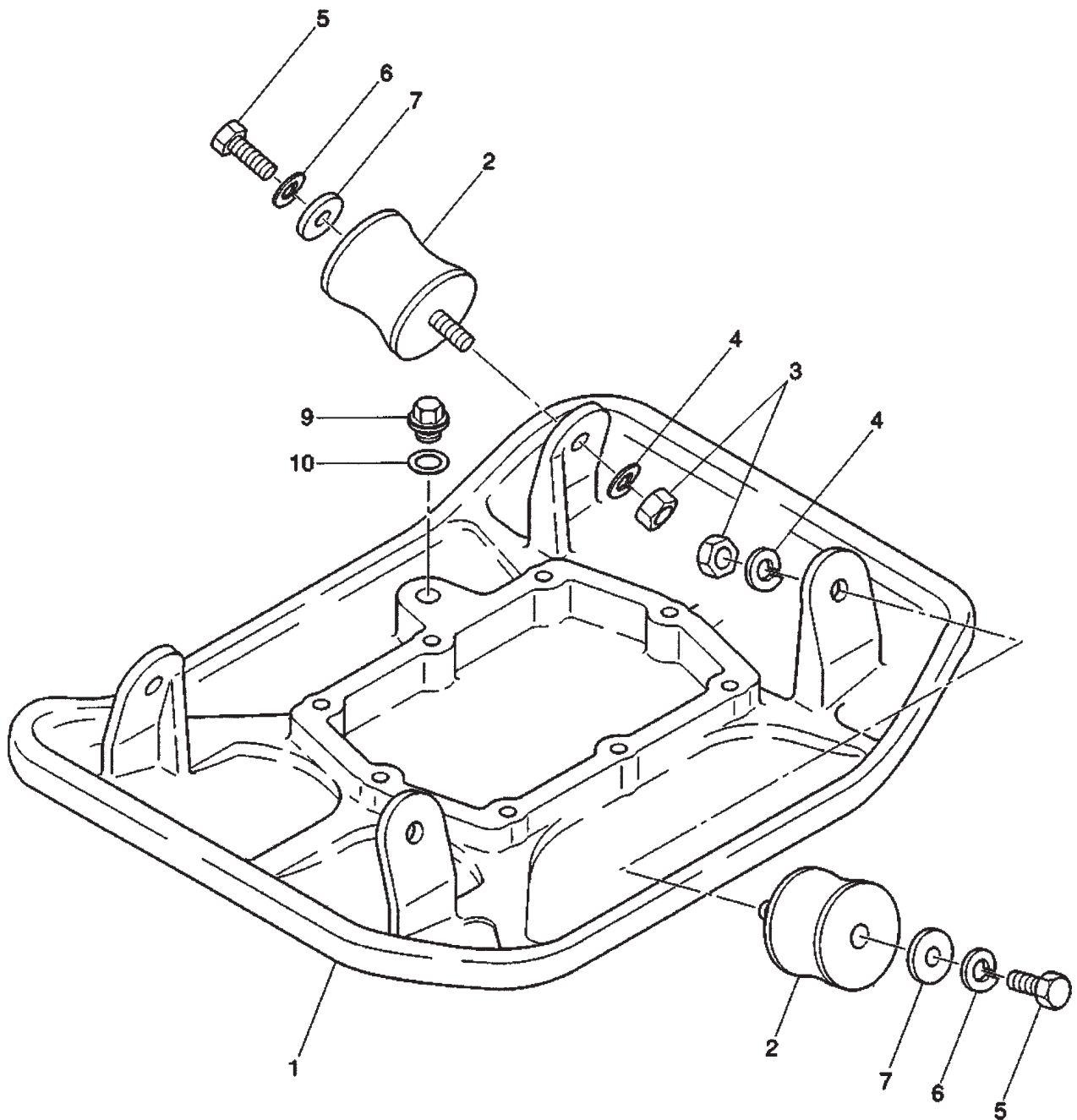
MVH-R60H — BODY ASSY.

BODY ASSY.

<u>NO</u>	<u>PART NO</u>	<u>PART NAME</u>	<u>QTY.</u>	<u>REMARKS</u>
36	458450810	PLATE, RUBBER COVER	1	
37	001220825	BOLT 8X25 T	2	
38	031108160	WASHER, FLAT M8	2	
39	022710809	NYLON NUT M8	2	
41	15550ZK8P90	DRAIN JOINT	2	
42	15552ZB9000	DRAIN HOSE	1	
43	954010070	HOSE BAND 11.5D	2	
44	90601ZE1000	WASHER, DRAIN PLUG	3	
45	90131ZE1000	BOLT, DRAIN PLUG	1	
46	458450840	JOINT	1	
47	001220820	BOLT 8X20 T	1	
48	030208200	WASHER, LOCK M8	1	

MVH-R60H — VIBRATING PLATE ASSY.

VIBRATING PLATE ASSY.



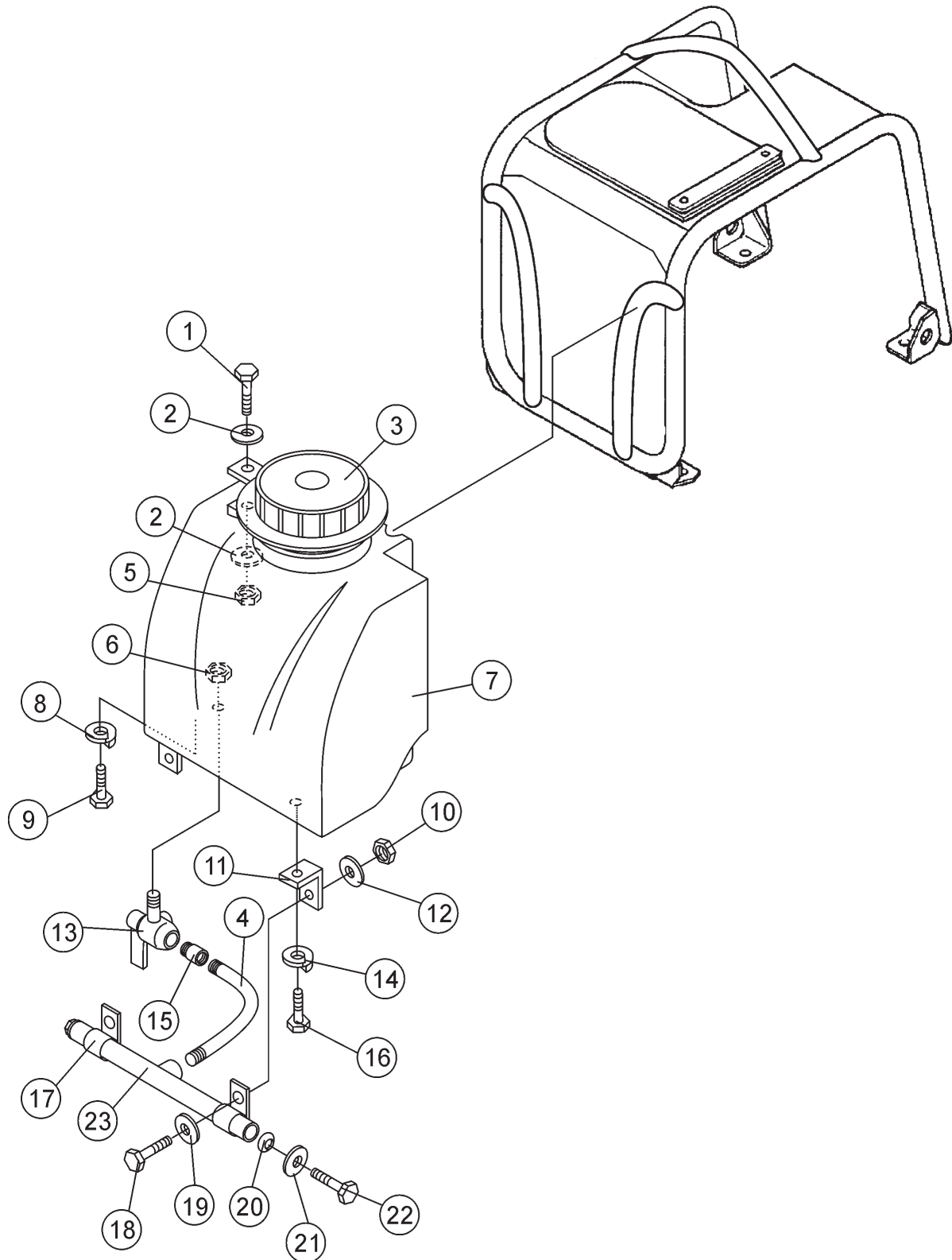
MVH-R60H — VIBRATING PLATE ASSY.

VIBRATING PLATE ASSY.

<u>NO</u>	<u>PART NO</u>	<u>PART NAME</u>	<u>QTY.</u>	<u>REMARKS</u>
1	463117110	VIBRATING PLATE	1	
2	939010160	SHOCK ABSORBER TAK-50	4	
3	020310080	NUT M10	4	
4	030210250	WASHER, LOCK M10	4	
5	001221030	BOLT 10X30 T	4	
6	030210250	WASHER, LOCK M10	4	
7	952401660	WASHER 103045	4	
9	460449160	OIL GAUGE	1	
10	953405260	PACKING 1/4 (CU)	1	

MVH-R60H — WATER TANK/SPRINKLER ASSY.

WATER TANK/SPRINKLER ASSY.



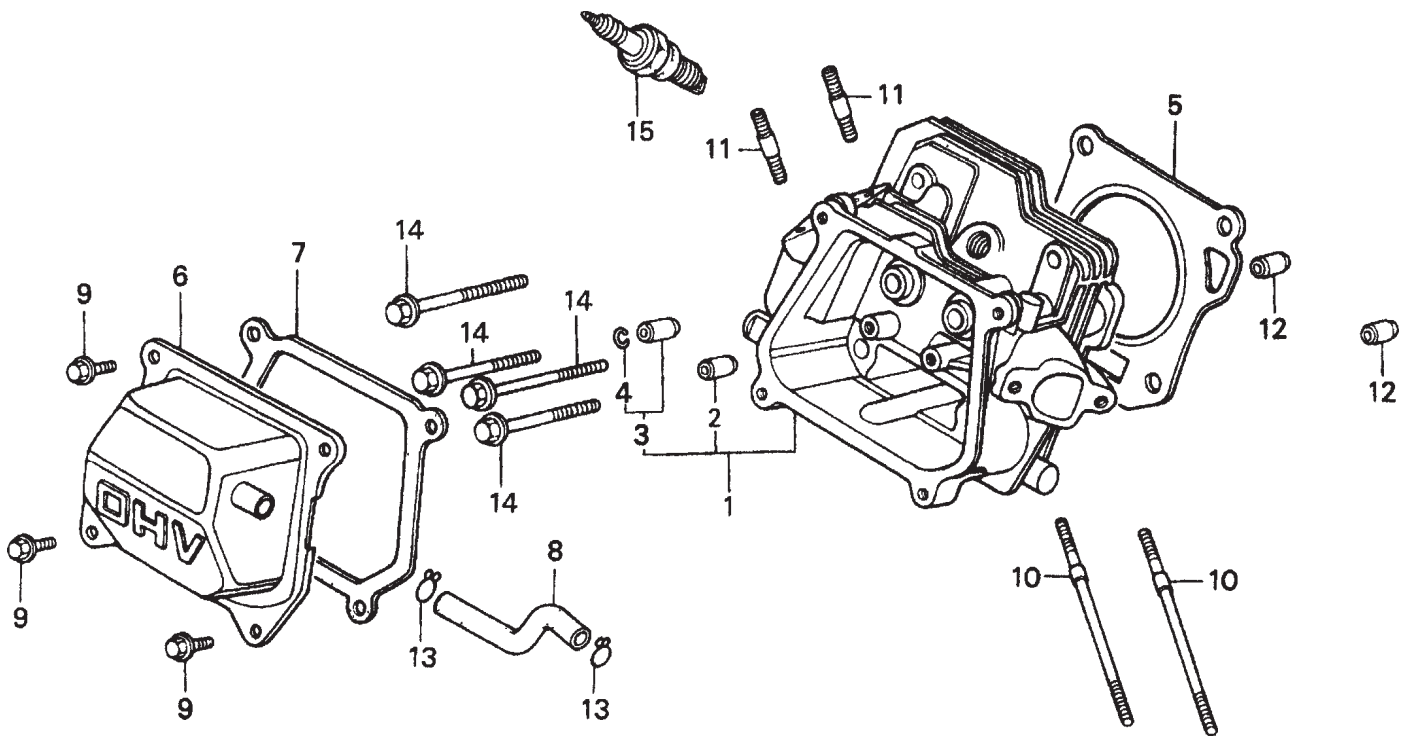
MVH-R60H — WATER TANK/SPRINKLER ASSY.

WATER TANK/SPRINKLER ASSY.

<u>NO</u>	<u>PART NO</u>	<u>PART NAME</u>	<u>QTY.</u>	<u>REMARKS</u>
1*	001241030	BOLT 10 X30	1	
2*	033910010	WASHER 10 MM 5 X 21 X 2	2	
3*	954300342	CAP, WATER TANK	1	
4	463456580	WATER HOSE	1	
5*	022910180	NYLON NUT M10	1	
6	022610808	FLANGE NUT M8	1	
7	463910010	WATER TANK ASSY.	1	INCLUDES ITEMS W/*
10	020306050	NUT M6	2	
11	463456570	L-TYPE STAY	2	
12	030206150	WASHER, LOCK M6	2	
13	954407090	HOOK ANGLE TYPE M8	1	
15	954405680	CONNECTOR 1/4 X 10	1	
16	001220615	BOLT 8X15	2	
17	954404230	CLAMP SA120--18	2	
18	001220615	BOLT 6 X15	2	
19	031106100	WASHER, FLAT	2	
20\$	515910050	CAP ASSY. W/BOLT AND WASHER	2	INCLUDES ITEMS W/#
21\$#	031106100	WASHER, M6	2	
22\$#	001220620	BOLT, 6X20	2	
23	463342970	SPRINKLING PIPE	1	INCLUDES ITEMS W/\$
24	458450830	RUBBER COVER	1	
25	001220825	BOLT 8X25	2	
26	031108160	WASHER, FLAT	2	
27	458450810	PLATE, RUBBER COVER	1	
28	022710809	NYLON NUT M8	2	
29	001221230	BOLT 12 X30	4	
30	030212300	WASHER, LOCK M12	4	

HONDA GX120K1SM12 ENGINE — CYLINDER HEAD ASSY.

CYLINDER HEAD ASSY.



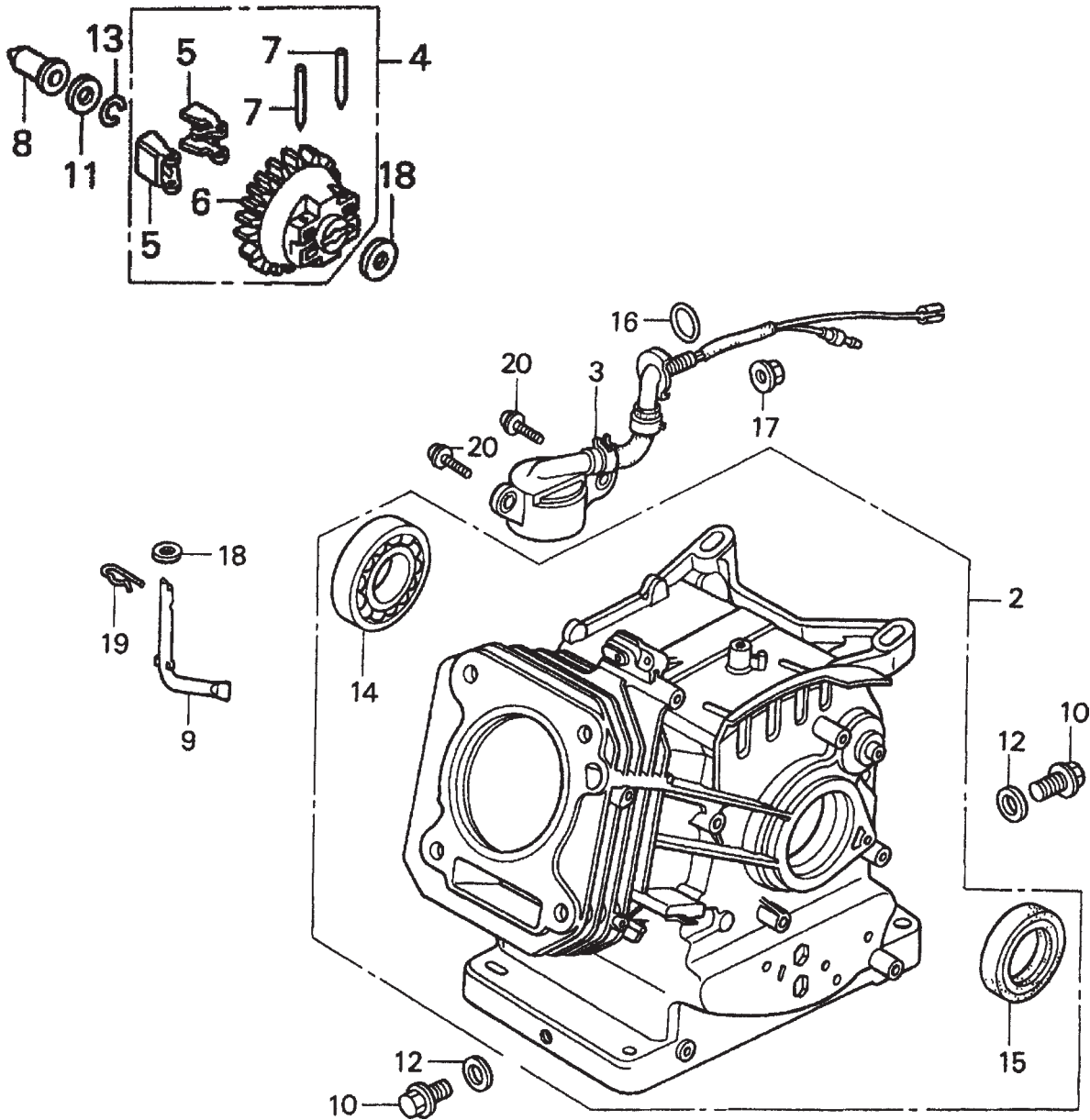
HONDA GX120K1SM12 ENGINE — CYLINDER HEAD ASSY.

CYLINDER HEAD ASSY.

<u>NO.</u>	<u>PART NO.</u>	<u>PART NAME</u>	<u>QTY.</u>	<u>REMARKS</u>
1	12210ZH7000	CYLINDER HEAD	1	INCLUDES ITEMS W/*
2*	12204ZE1306	GUIDE, VALVE (OS) OPTIONAL	1	
3*	12205ZE1315	GUIDE, EX. VALVE (OS) OPTIONAL	1	INCLUDES ITEMS W/+
4*+	12216ZE5300	CLIP, VALVE GUIDE	1	
5	12251ZH7800	GASKET, CYLINDER HEAD	1	
6	12310ZE1020	COVER, HEAD	1	
7	12391ZE1000	GASKET, CYLINDER HEAD COVER	1	
8	15721ZH8000	TUBE, BREATHER	1	
9	90013883000	BOLT, FLANGE 6X12 (CT200)	4	
10	90043ZE1020	BOLT, STUD 6X109	2	
11	90047ZE1000	BOLT, STUD 8X32	2	
12	9430110160	PIN, A, DOWEL 10X16	2	
14	957230805500	BOLT, FLANGE 8X55	4	
15	9807956846	SPARK PLUG BPR6ES (NGK)	1	

HONDA GX120K1SM12 ENGINE — CYLINDER BARREL ASSY.

CYLINDER BARREL ASSY.



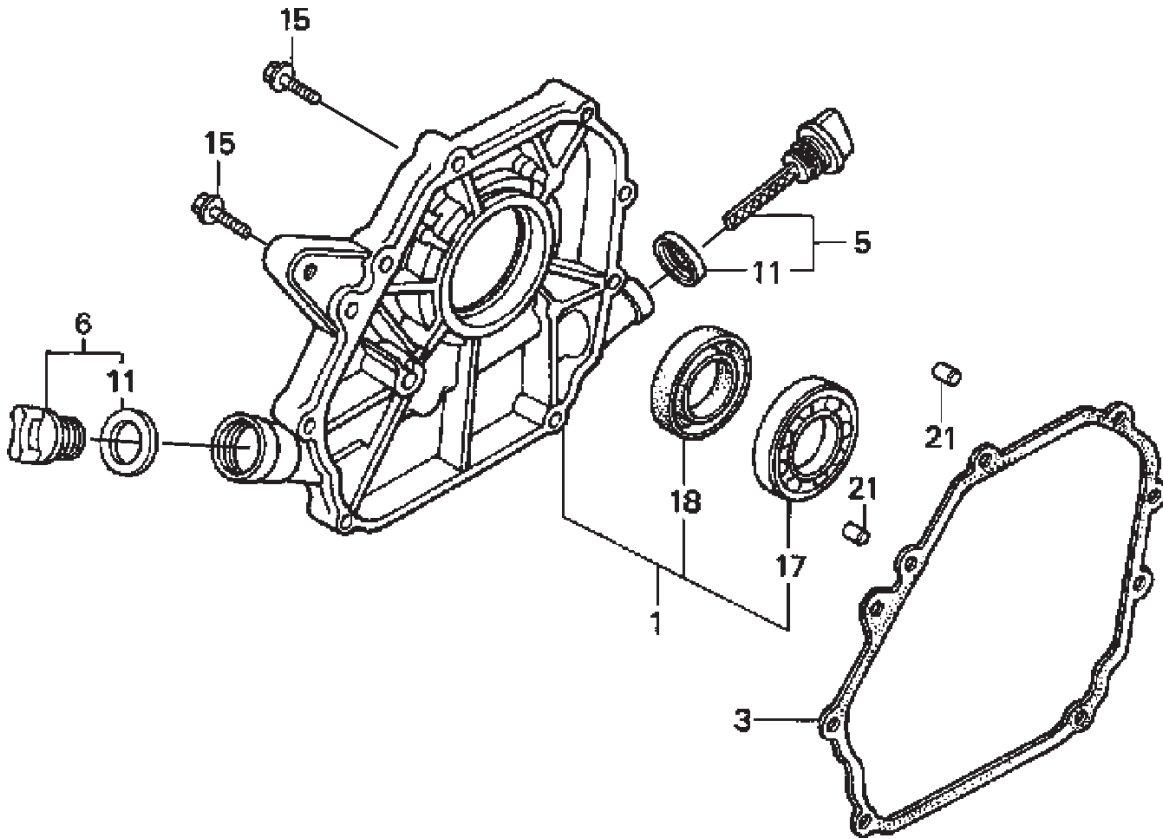
HONDA GX120K1SM12 ENGINE — CYLINDER BARREL ASSY.

CYLINDER BARREL ASSY.

<u>NO.</u>	<u>PART NO.</u>	<u>PART NAME</u>	<u>QTY.</u>	<u>REMARKS</u>
2	120A0ZH7810	BARREL ASSY., CYLINDER	1	INCLUDES ITEMS W/*
3	15510ZE1033	SWITCH ASSY., OIL LEVEL	1	
4	16510ZE1000	GOVERNOR ASSY.	1	INCLUDES ITEMS W/#
5#	16511ZE1000	WEIGHT, GOVERNOR	2	
6#	16512ZE1000	HOLDER, GOVERNOR WEIGHT	1	
7#	16513ZE1000	PIN, GOVERNOR WEIGHT	2	
8	16531ZE1000	SLIDER, GOVERNOR	1	
9	16541ZE1000	SHAFT, GOVERNOR ARM	1	
10	90131ZE1000	BOLT, DRAIN PLUG	2	
11	90451ZE1000	WASHER, THRUST 6mm	1	
12	90601ZE1000	WASHER, DRAIN PLUG 10.2mm	2	
13	90602ZE1000	CLIP, GOVERNOR HOLDER	1	
14*	91001878003	BEARING, RADIAL BALL 62/22	1	
15*	91202ZE6003	OIL SEAL 22X35X6	1	
16	91353671004	O- RING 14mm	1	
17	9405010000	NUT, FLANGE 10mm	1	
18	9410106800	WASHER, PLAIN 6mm	2	
19	9425108000	PIN, LOCK 8mm	1	
20	957010601200	BOLT, FLANGE 6X12	2	

HONDA GX120K1SM12 ENGINE — CRANKCASE COVER ASSY.

CRANKCASE COVER ASSY.



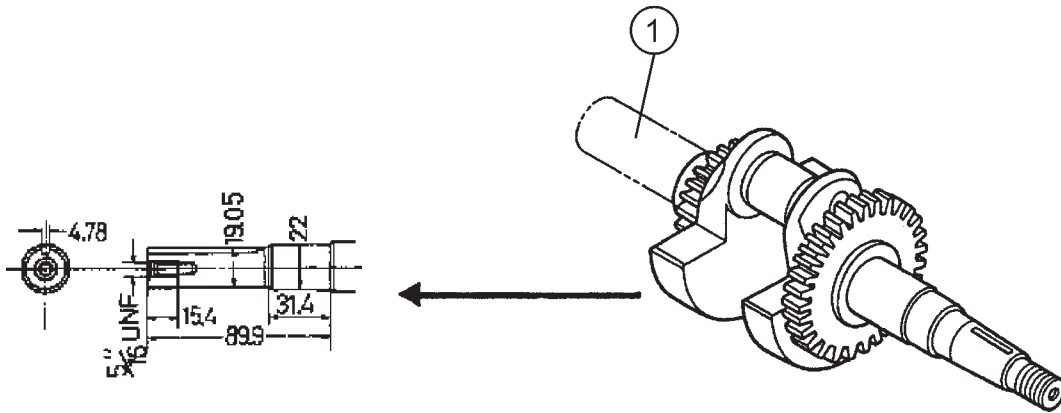
HONDA GX120K1SM12 ENGINE — CRANKCASE COVER ASSY.

CRANKCASE COVER ASSY.

<u>NO.</u>	<u>PART NO.</u>	<u>PART NAME</u>	<u>QTY.</u>	<u>REMARKS</u>
1	11300ZE0640	COVER ASSY., CRANKCASE	1	INCLUDES ITEMS W/*
3	11381ZH7800	GASKET, CRANKCASE	1	
5	15600ZE1003	CAP ASSY., OIL FILLER	1	INCLUDES ITEMS W/#
6	15600ZG4003	CAP ASSY., OIL FILLER	1	INCLUDES ITEMS W/+
11#+	15625ZE1003	PACKING, OIL FILLER CAP	2	
15	90015883000	BOLT, FLANGE 6X28	7	
17*	91001878003	BEARING, RADIAL 62/22	1	
18*	91203ZE0003	OIL SEAL 22X41X6	1	
21	9430108140	DOWEL PIN 8X14	2	

HONDA GX120K1SM12 ENGINE — CRANKSHAFT ASSY.

CRANKSHAFT ASSY.



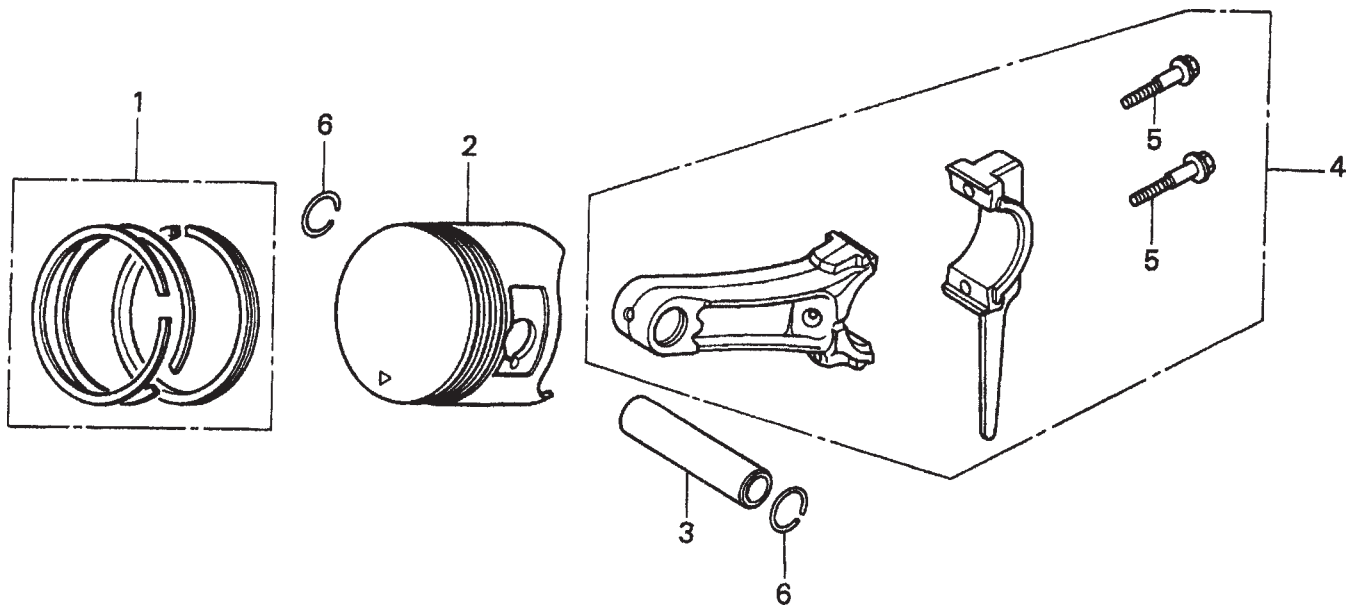
HONDA GX120K1SM12 ENGINE — CRANKSHAFT ASSY.

CRANKSHAFT ASSY.

<u>NO.</u>	<u>PART NO.</u>	<u>PART NAME</u>	<u>QTY.</u>	<u>REMARKS</u>
1	13310ZE0601	CRANKSHAFT	1	

HONDA GX120K1SM12 ENGINE — PISTON/CONNECTING ROD ASSY.

PISTON/CONNECTING ROD ASSY.



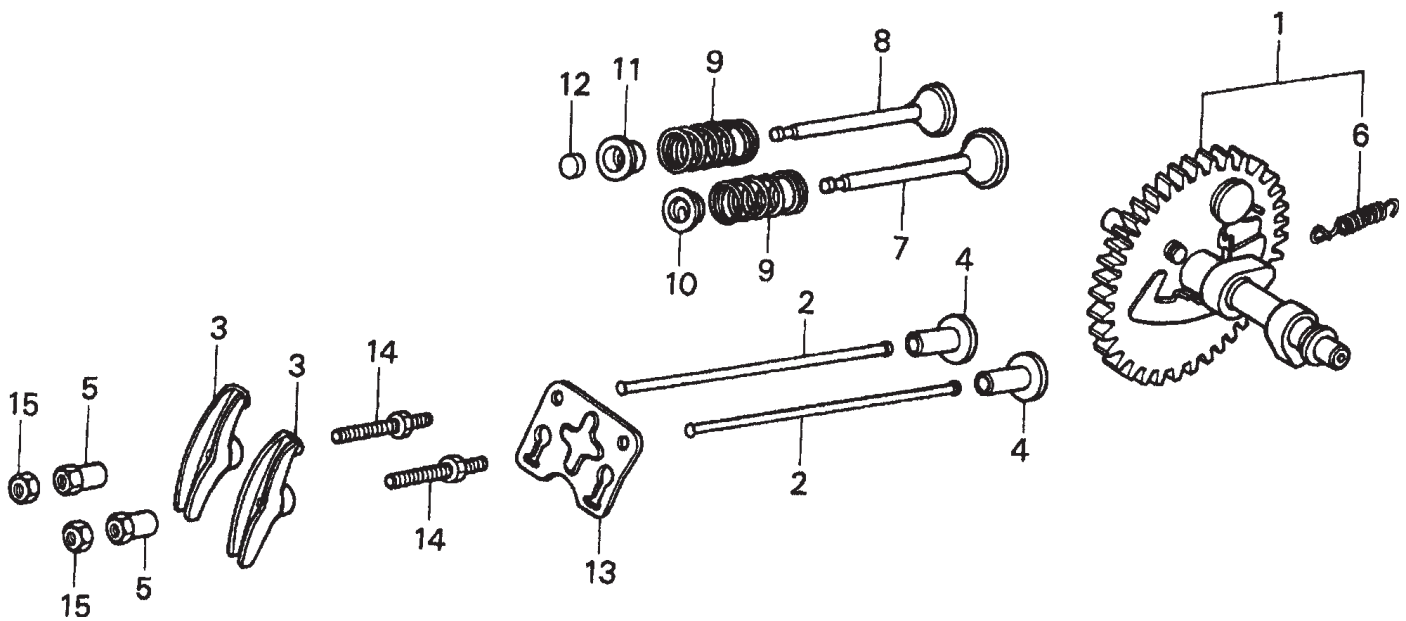
HONDA GX120K1SM12 ENGINE — PISTON/CONNECTING ROD ASSY.

PISTON/CONNECTING ROD ASSY.

<u>NO.</u>	<u>PART NO.</u>	<u>PART NAME</u>	<u>QTY.</u>	<u>REMARKS</u>
1	13010ZK7V01	RING SET, PISTON (STANDARD)	1	
1	13011ZK7V01	RING SET, PISTON (OS 0.25), OPTIONAL	1	
1	13012ZK7V01	RING SET, PISTON (OS 0.50) , OPTIONAL	1	
1	13013ZK7V01	RING SET, PISTON (OS 0.75), OPTIONAL	1	
2	13101ZH7000	PISTON, STANDARD	1	
2	13102ZH7000	PISTON, OS 0.25	1	
2	13103ZH7000	PISTON, OS 0.50	1	
2	13104ZH7000	PISTON, 0.75	1	
3	13111ZE0000	PIN, PISTON	1	
4	132A0ZE0000	ROD ASSY, CONNECTING (UNDER SIZE)	1	INCLUDES ITEMS W/*
4	13200ZE0000	ROD ASSY., CONNECTING	1	INCLUDES ITEMS W/*
5*	90001ZE1000	BOLT, CONNECTING ROD	2	
6	90551ZE0000	CLIP, PISTON PIN 13MM	2	

HONDA GX120K1SM12 ENGINE — CAMSHAFT ASSY.

CAMSHAFT ASSY.



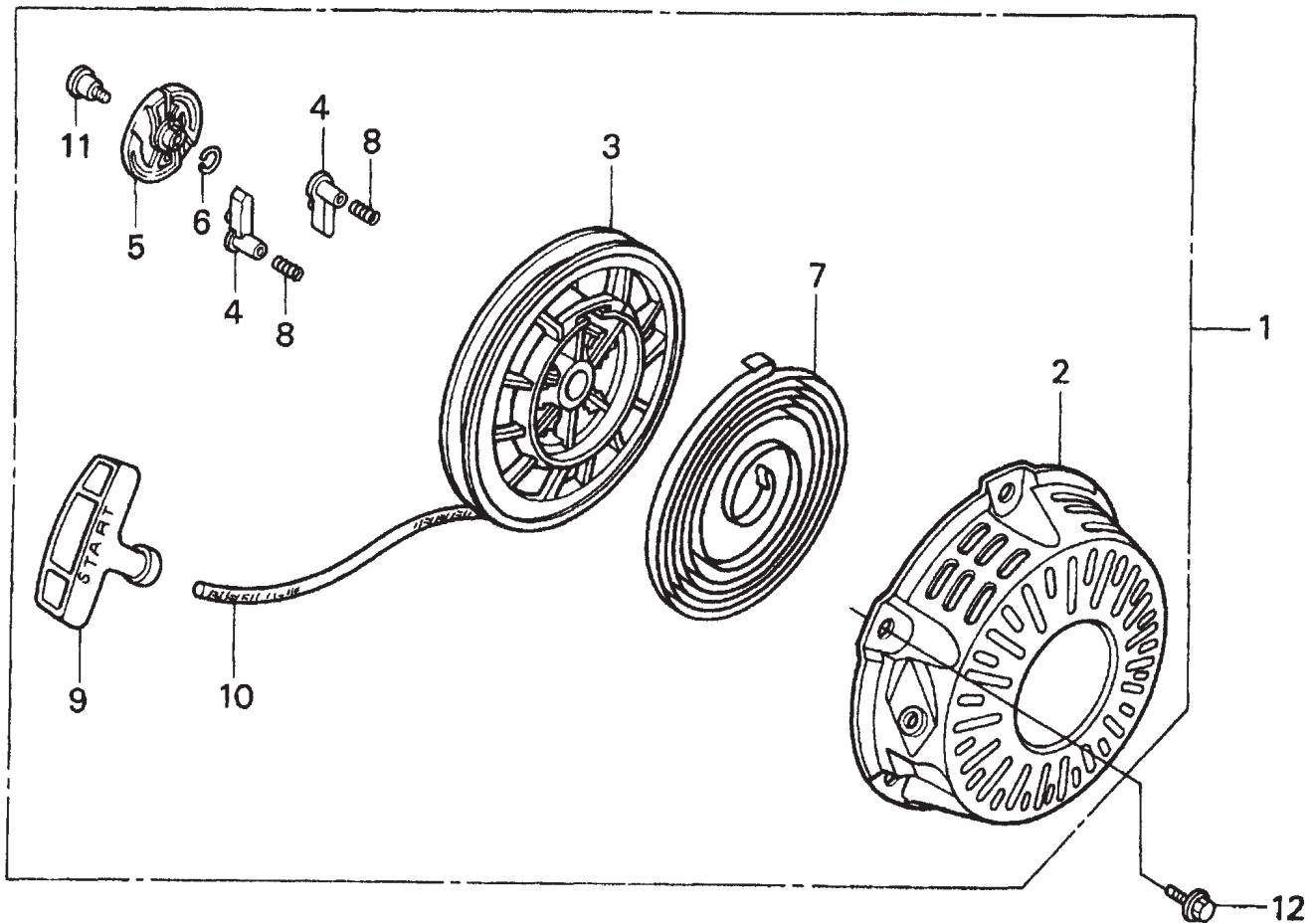
HONDA GX120K1SM12 ENGINE — CAMSHAFT ASSY.

CAMSHAFT ASSY.

<u>NO.</u>	<u>PART NO.</u>	<u>PART NAME</u>	<u>QTY.</u>	<u>REMARKS</u>
1	14100ZE0812	CAMSHAFT ASSY.	1	INCLUDES ITEMS W/*
2	14410ZE0010	ROD, PUSH	2	
3	14431ZE1000	ARM, VALVE ROCKER	2	
4	14441ZE1010	LIFTER, VALVE	2	
5	14451ZE1013	PIVOT, ROCKER ARM	2	
6*	14568ZE1000	SPRING, WEIGHT RETURN	1	
7	14711ZF0000	VALVE, IN.	1	
8	14721ZF0000	VALVE, EX.	1	
9	14751ZF1000	SPRING, VALVE	2	
10	14771ZE1000	RETAINER, IN. VALVE SPRING	1	
11	14773ZE1000	RETAINER, EX. VALVE SPRING	1	
12	14781ZE1000	ROTATOR, VALVE	1	
13	14791ZE0010	PLATE, PUSH ROD GUIDE	1	
14	90012ZE0010	BOLT, PIVOT 8MM	2	
15	90206ZE1000	NUT, PIVOT ADJ.	2	

HONDA GX120K1SM12 ENGINE — RECOIL STARTER ASSY.

RECOIL STARTER ASSY.



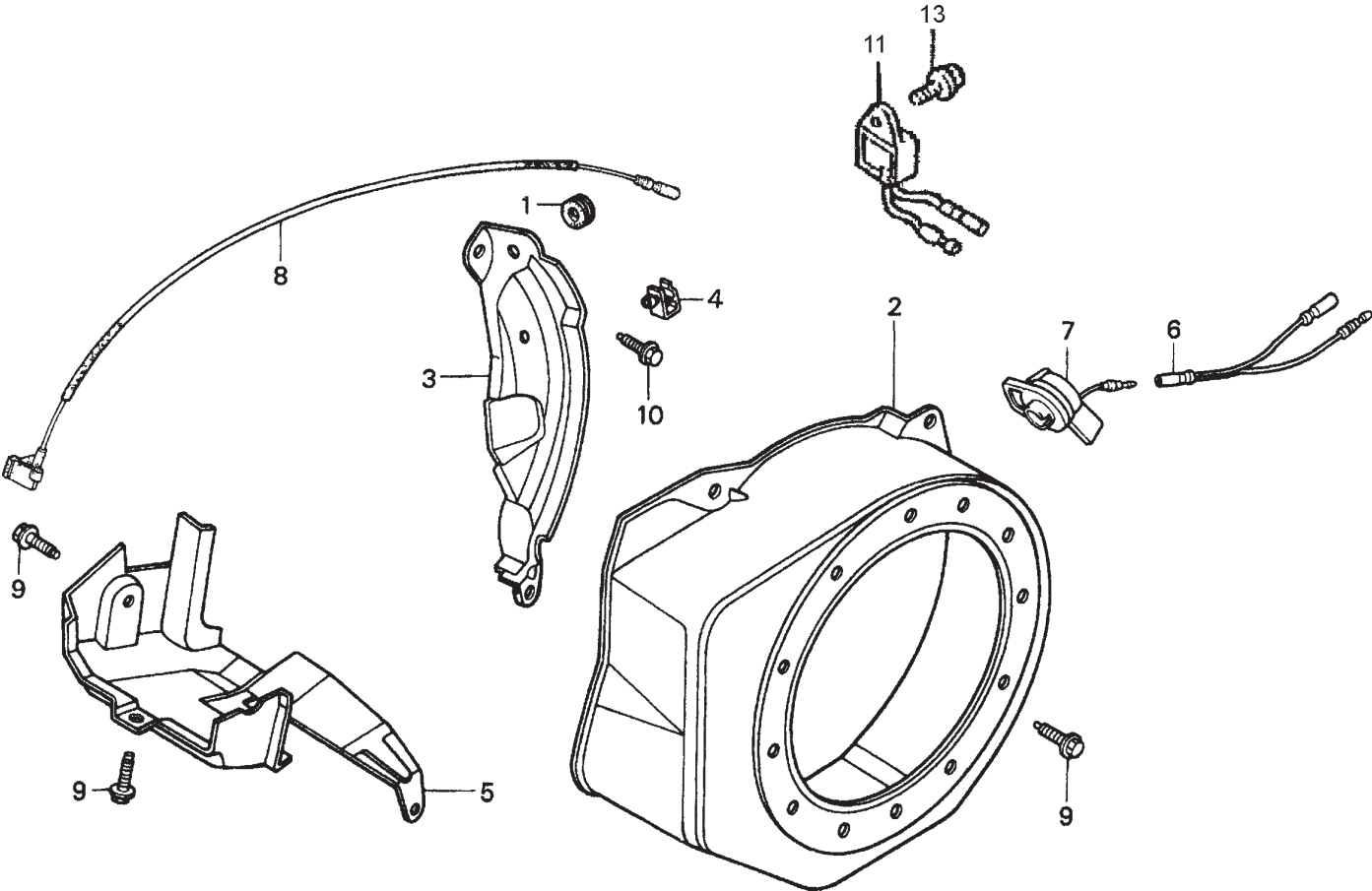
HONDA GX120K1SM12 ENGINE — RECOIL STARTER ASSY.

RECOIL STARTER ASSY.

<u>NO.</u>	<u>PART NO.</u>	<u>PART NAME</u>	<u>QTY.</u>	<u>REMARKS</u>
1	28400ZH8013ZA	STARTER ASSY., RECOIL *NH1* (BLACK)	1	INCLUDES ITEMS W/*
2*	28410ZH8003ZA	CASE, RECOIL STARTER *NH1* (BLACK)	1	
3*	28420ZH8013	REEL, RECOIL STARTER	1	
4*	28422ZH8013	RATCHET, STARTER	2	
5*	28433ZH8003	GUIDE, RATCHET	1	
6*	28441ZH8003	SPRING, FRICTION	1	
7*	28442ZH8003	SPRING, RECOIL STARTER	1	
8*	28443ZH8003	SPRING, RETURN	2	
9*	28461ZH8003	KNOB, RECOIL STARTER	1	
10*	28462ZH8003	ROPE, RECOIL STARTER	1	
11*	90003ZH8003	SCREW, SETTING	1	
12	9008ZE2003	BOLT, FLANGE 6X10	3	

HONDA GX120K1SM12 ENGINE — FAN COVER ASSY.

FAN COVER ASSY.



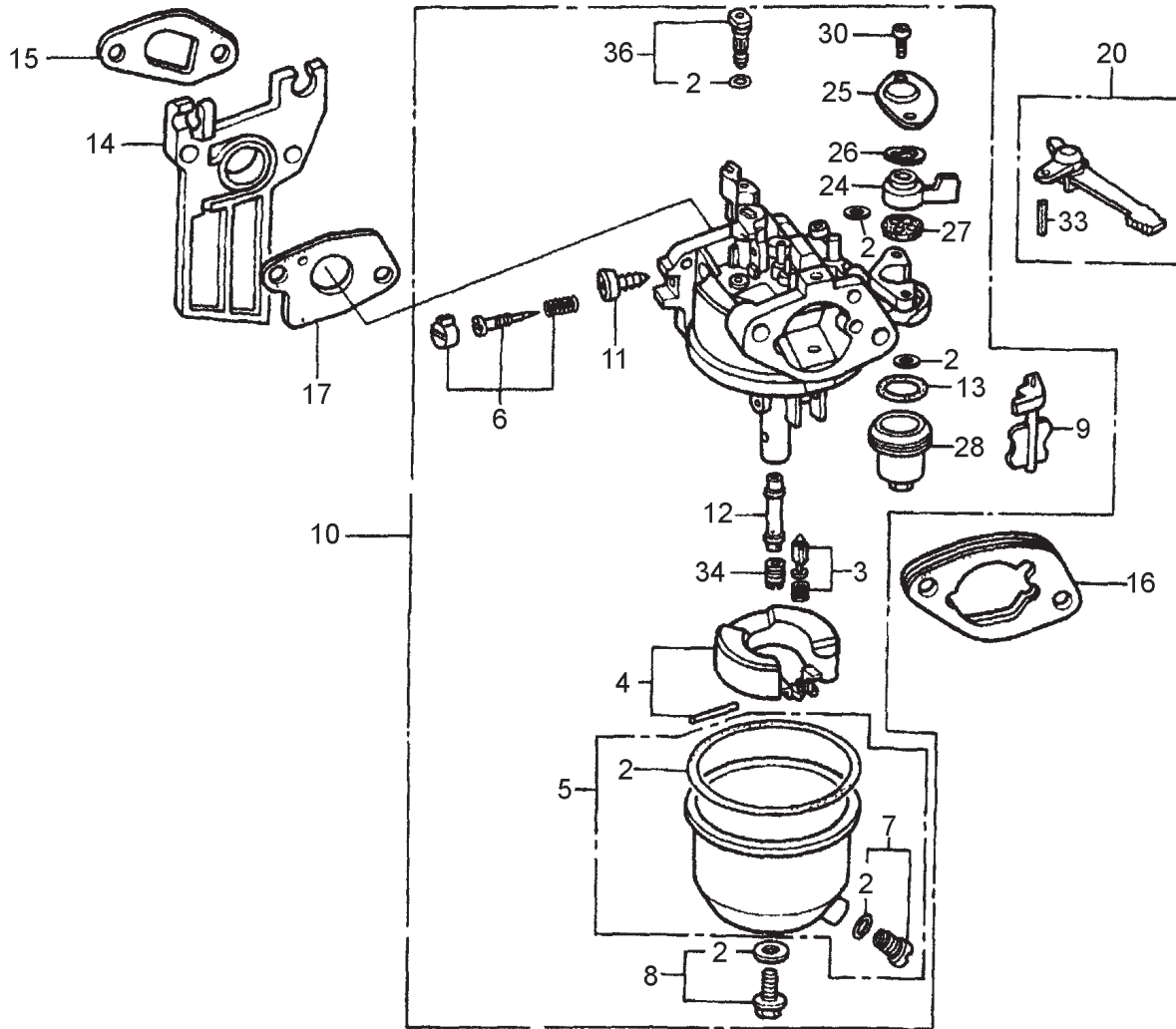
HONDA GX120K1SM12 ENGINE — FAN COVER ASSY.

FAN COVER ASSY.

<u>NO.</u>	<u>PART NO.</u>	<u>PART NAME</u>	<u>QTY.</u>	<u>REMARKS</u>
1	11347371300	GROMMET, ADJUSTING COVER	1	
2	19610ZE0000ZA	COVER, FAN RED	1	
3	19611ZH7810	PLATE, SIDE (OIL ALERT)	1	
4	90601ZH7013	CLIP, HARNESS	1	
5	19630ZH7000	SHROUD	1	
6	32197ZH8003	SUB- HARNESS	1	
7	36100ZH7003	SWITCH ASSEMBLY, ENGINE STOP	1	
8	36101ZE1010	WIRE, STOP SWITCH 370MM	1	
9	90013883000	BOLT, FLANGE 6X12 (CT200)	6	
10	90022888010	BOLT, FLANGE 6X12 (CT200)	1	
11	34150ZH7003	ALERT UNIT, OIL	1	
13	95 7010600800	BOLT, FLANGE 6X8	1	

HONDA GX120K1SM12 ENGINE — CARBURETOR ASSY.

CARBURETOR ASSY.



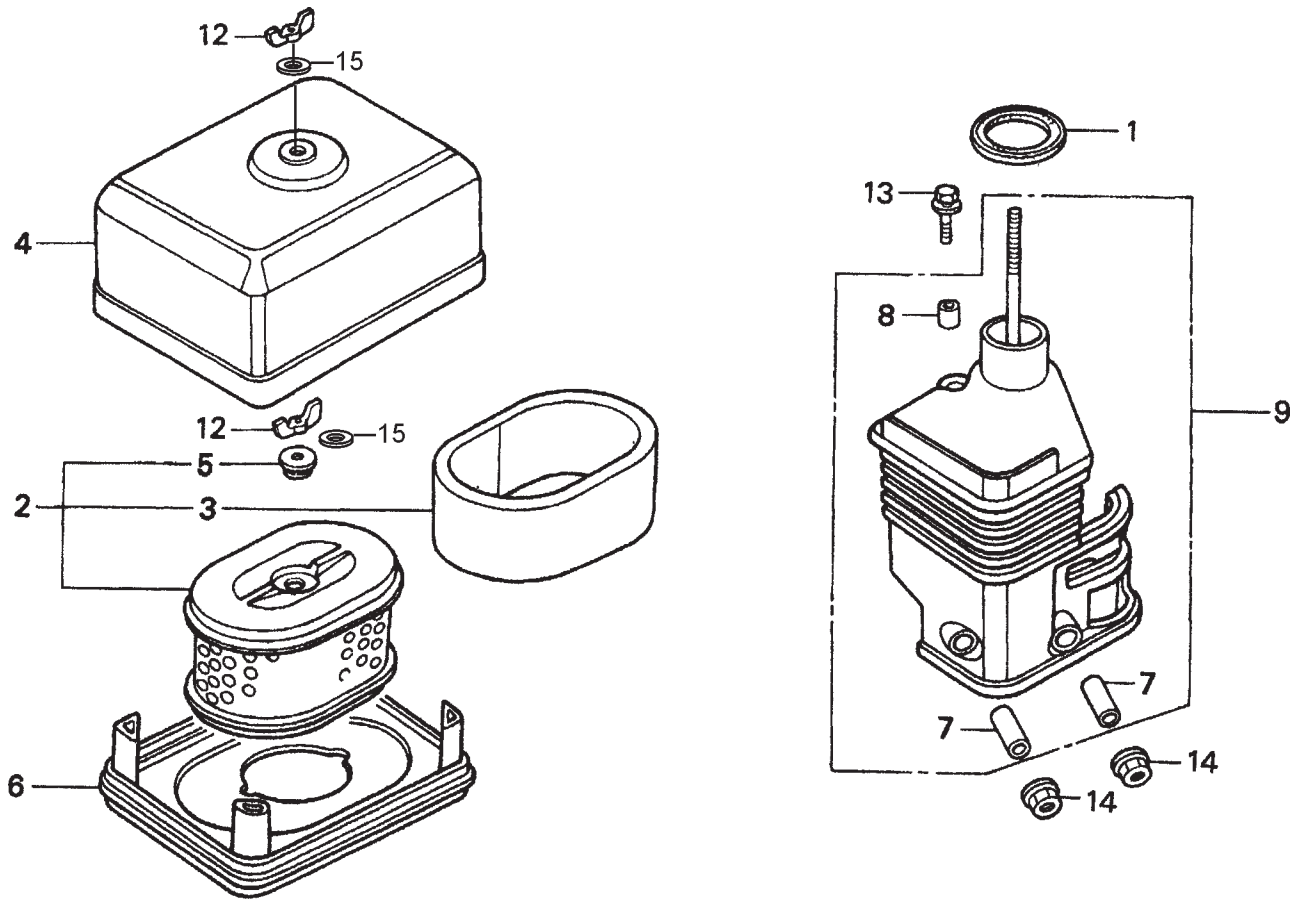
HONDA GX120K1SM12 ENGINE — CARBURETOR ASSY.

CARBURETOR ASSY.

<u>NO.</u>	<u>PART NO.</u>	<u>PART NAME</u>	<u>QTY.</u>	<u>REMARKS</u>
2*#	16010ZE1812	GASKET SET	1	
3*	16011ZE0005	VALVE SET, FLOAT	1	
4*	16013ZE0005	FLOAT SET	1	
5*	16015ZE0831	FLOAT CHAMBER SET	1	INCLUDES ITEMS W/#
7*#	16024ZE1811	DRAIN SCREW SET	1	
8*	16028ZE0005	SCREW SET B	1	
9*	16044ZE0005	CHOKE SET	1	
10	16100ZH7W51	CARBURETOR ASSY., BE60B B	1	INCLUDES ITEMS W/*
11*	16124ZE0005	SCREW, THROTTLE STOP	1	
12*	16166ZH7W50	NOZZLE, MAIN	1	
13*	16173001004	PACKING, CUP	1	
14	16211ZE0000	INSULATOR, CARBURETOR	1	
15	16212ZH7800	PACKING, INSULATOR	1	
16	16220ZE1020	SPACER, CARBURETOR	1	
17	16221ZH8801	GASKET, CARBURETOR	1	
20	16610ZE1000	LEVER, CHOKE (STANDARD)	1	INCLUDES ITEMS W/+
24*	16953ZE1812	LEVER, VALVE	1	
25*	16954ZE1812	PLATE, LEVER SETTING	1	
26*	16956ZE1811	SPRING, VALVE LEVER	1	
27*	16957ZE1812	GASKET, VALVE	1	
28*	16967ZE0811	CUP, FUEL STRAINER	1	
30*	93500030061H	SCREW, PAN (3 X 6)	2	
33+	9430520122	PIN, SPRING (2 X 12)	1	
34*	99101ZH80600	JET, MAIN (#60)	1	
35*	99204ZE00350	JET, SET, PILOT (#35)	1	
36	16016ZH7W01	SCREW SET	1	

HONDA GX120K1SM12 ENGINE — AIR CLEANER ASSY.

AIR CLEANER ASSY.



HONDA GX120K1SM12 ENGINE — AIR CLEANER ASSY.

AIR CLEANER ASSY.

<u>NO.</u>	<u>PART NO.</u>	<u>PART NAME</u>	<u>QTY.</u>	<u>REMARKS</u>
1	16271ZE1000	GASKET, ELBOW	1	
2	17210ZE0822	CLEANER ELEMENT	1	INCLUDES ITEMS W/#
3#	17218ZE0821	ELEMENT OUTER	1	
4	17230ZE0820	COVER, AIR CLEANER	1	
5#	17232891000	GROMMET, AIR CLEANER	1	
6	17235ZE1831	NOSE, SILENCER	1	
7*	17238ZE0010	COLLAR, AIR CLEANER	2	
8*	17239ZE1000	COLLAR B, AIR CLEANER	1	
9	17410ZE0030	ELBOW, AIR CLEANER	1	INCLUDES ITEMS W/*
12	90325044000	WINGNUT, TOOL BOX SETTING	2	
13	957010602000	BOLT, FLANGE 6X20	1	
14	9405006000	NUT, FLANGE 6MM	2	
15	9410106800	PLAIN WASHER 6MM	2	

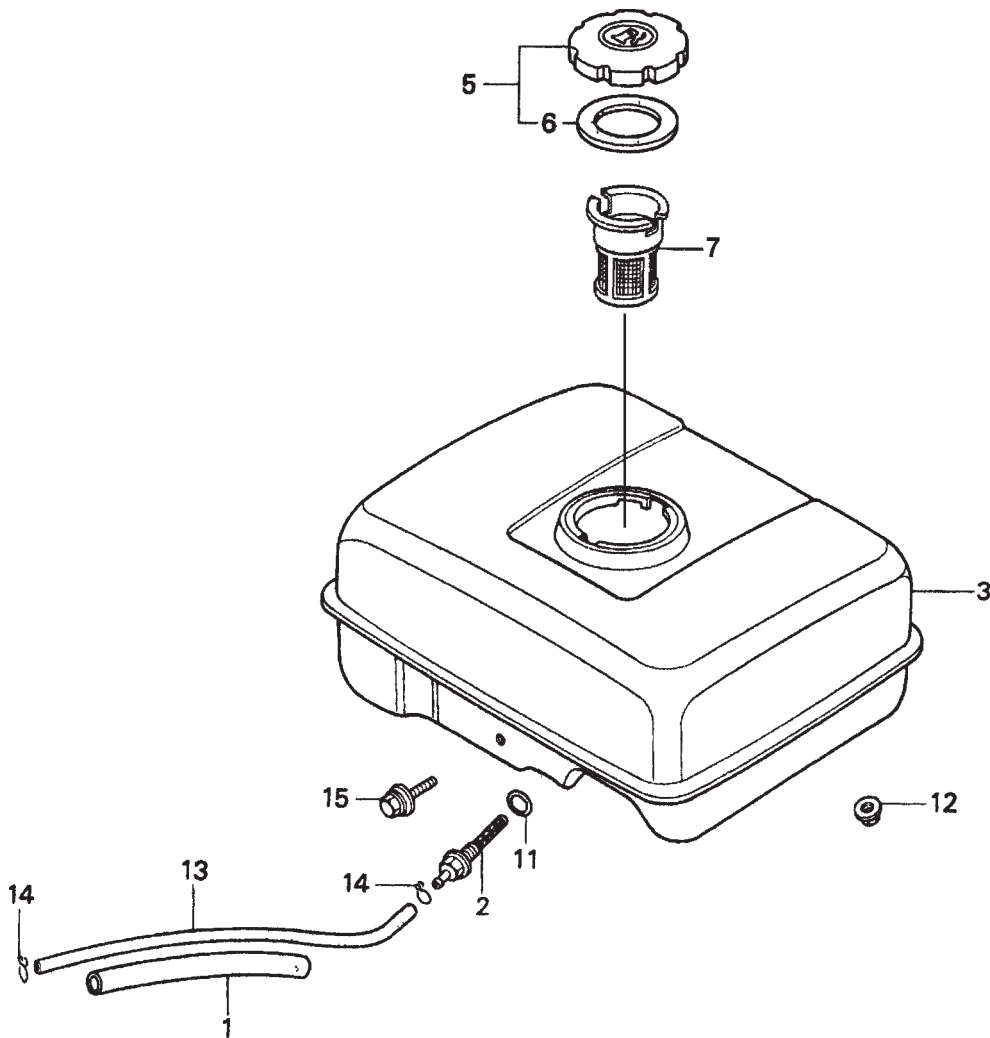
HONDA GX120K1SM12 ENGINE — MUFFLER ASSY.

MUFFLER ASSY.

<u>NO.</u>	<u>PART NO.</u>	<u>PART NAME</u>	<u>QTY.</u>	<u>REMARKS</u>
1	18310ZH8810	MUFFLER, ARRESTER	1	
3	18320ZF1H01	PROTECTOR, MUFFLER	1	
5	18340ZE1010	DEFLECTOR	1	
6	18355ZE1000	ARRESTER, SPARK		
7	18381ZH8800	GASKET, MUFFLER	1	
10	90050ZE1000	SCREW, TAPPING 5X8	4	
13	94001080000S	NUT, HEX. 8MM	2	
14	18522ZE1000	GUIDE, MUFFLER	1	
18	90055ZE1000	SCREW, TAPPING 4X6	1	
19	90002ZG0003	SCREW, TAPPING 4X8	2	

HONDA GX120K1SM12 ENGINE — FUEL TANK ASSY.

FUEL TANK ASSY.



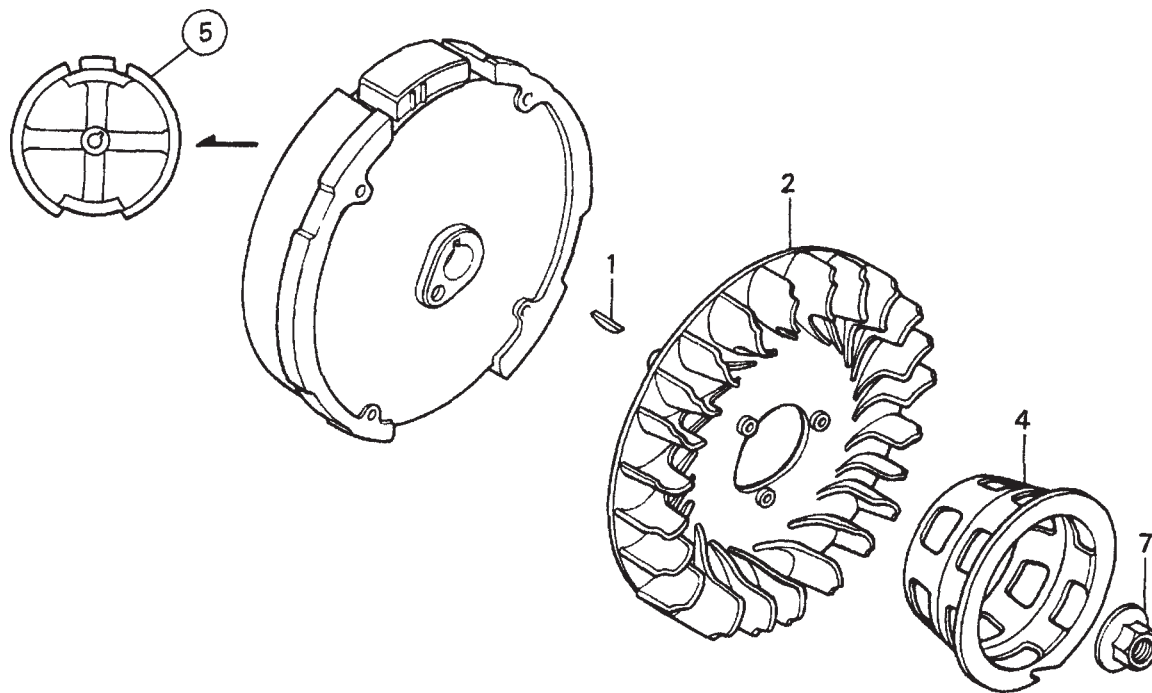
HONDA GX120K1SM12 ENGINE — FUEL TANK ASSY.

FUEL TANK ASSY.

<u>NO.</u>	<u>PART NO.</u>	<u>PART NAME</u>	<u>QTY.</u>	<u>REMARKS</u>
1	16854ZH8000	RUBBER, SUPPORTER 107MM	1	
2	16955ZE1000	JOINT, FUEL TANK	1	
3	17510ZE0020ZD	TANK, FUEL *NH1* (BLACK)	1	
5	17620ZH7023	CAP, FUEL FILLER	1	INCLUDES ITEMS W/*
6*	17631ZH7003	GASKET, FUEL FILLER CAP	1	
7	17672ZE2W01	FUEL FILTER	1	
11	91353671004	O- RING 14MM	1	
12	9405006000	NUT, FLANGE 6MM	2	
13	950014514040	BULK HOSE, FUEL 4.5X140	1	
14	9500202080	CLIP, TUBE (B8)	2	
15	957010602500	BOLT, FLANGE 6X25	1	

HONDA GX120K1SM12 ENGINE — FLYWHEEL ASSY.

FLYWHEEL ASSY.



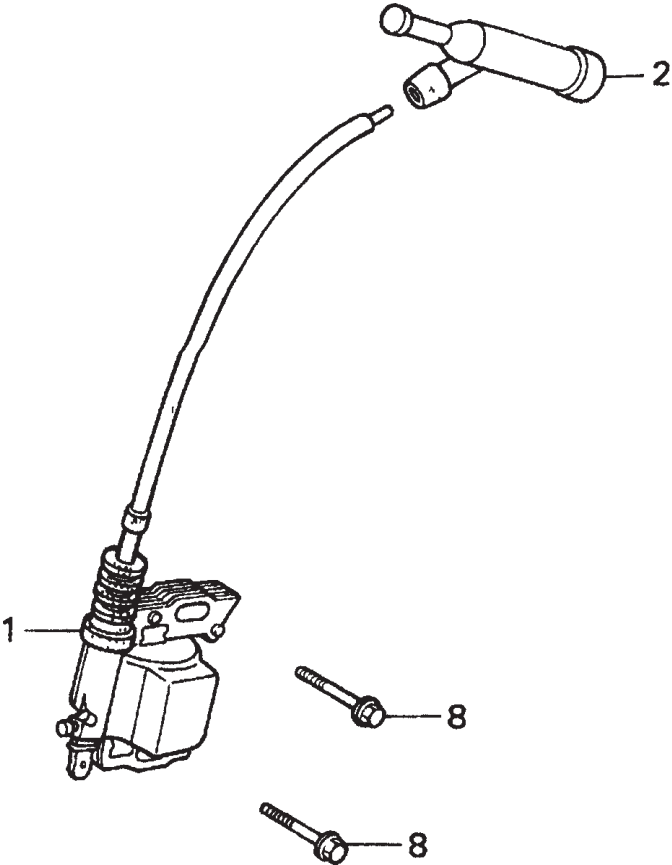
HONDA GX120K1SM12 ENGINE — FLYWHEEL ASSY.

FLYWHEEL ASSY.

<u>NO.</u>	<u>PART NO.</u>	<u>PART NAME</u>	<u>QTY.</u>	<u>REMARKS</u>
1	13331357000	KEY, SPECIAL WOODRUFF 25X18	1	
2	19511ZE0000	FAN, COOLING	1	
4	28451ZH8003	PULLEY, STARTER	1	
5	31100ZE0010	FLYWHEEL	1	
7	90201878003	NUT, SPECIAL 14MM	1	

HONDA GX120K1SM12 ENGINE — IGNITION COIL ASSY.

IGNITION COIL ASSY.



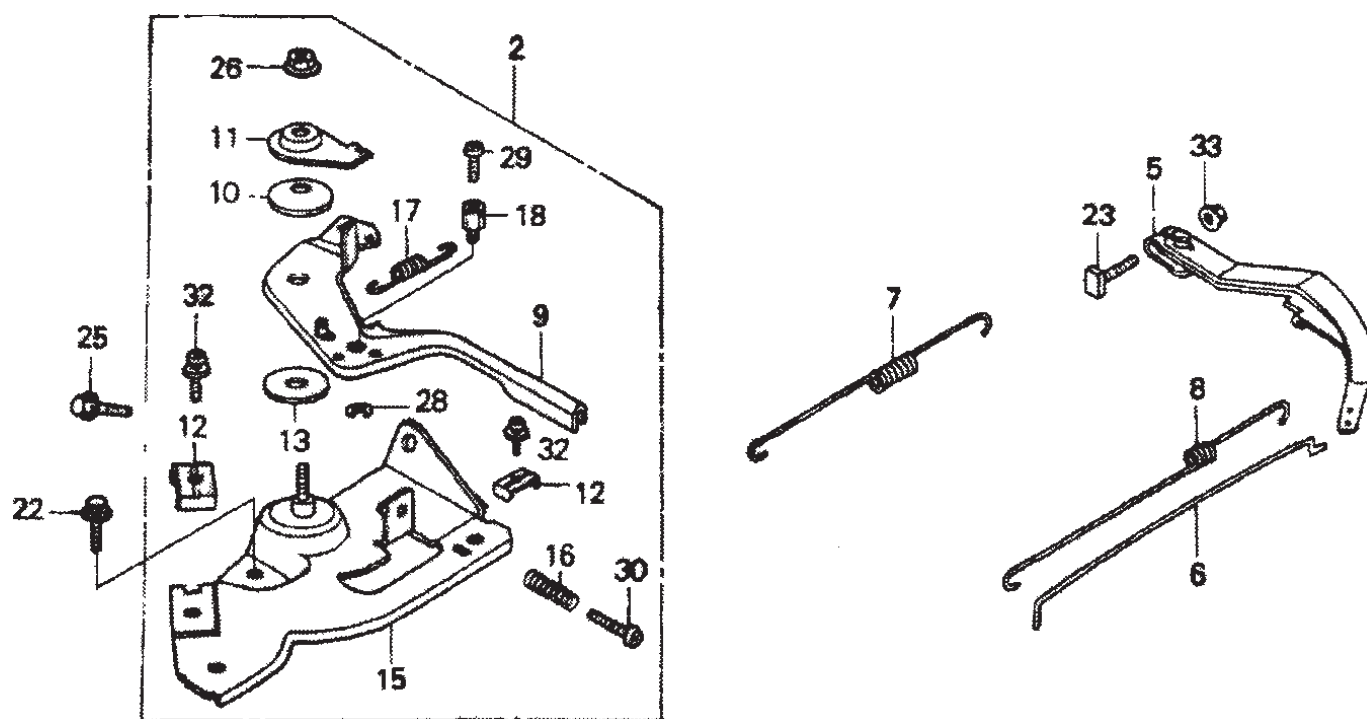
HONDA GX120K1SM12 ENGINE — IGNITION COIL ASSY.

IGNITION COIL ASSY.

<u>NO.</u>	<u>PART NO.</u>	<u>PART NAME</u>	<u>QTY.</u>	<u>REMARKS</u>
1	30500ZE1033	COIL ASSY., IGNITION	1	
2	30700ZE1013	CAP ASSY., NOISE SUPPRESSOR	1	
8	90121952000	BOLT, FLANGE 6X25	2	

HONDA GX120K1SM12 ENGINE — CONTROL ASSY.

CONTROL ASSY.



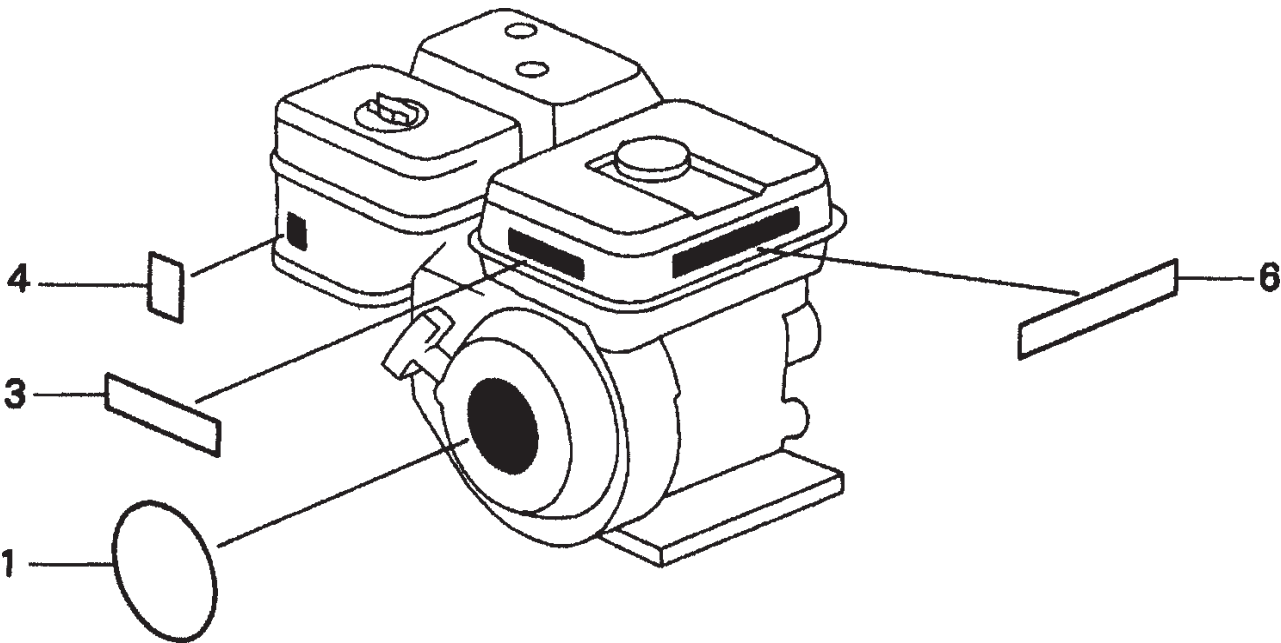
HONDA GX120K1SM12 ENGINE — CONTROL ASSY.

CONTROL ASSY.

<u>NO.</u>	<u>PART NO.</u>	<u>PART NAME</u>	<u>QTY.</u>	<u>REMARKS</u>
2	16500ZH7810	CONTROL ASSY.	1	INCLUDES ITEMS W/#
5	16551ZE0010	ARM, GOVERNOR	1	
6	16555ZE0000	ROD, GOVERNOR	1	
7	16561ZE0020	SPRING, GOVERNOR	1	
8	16562ZE0020	SPRING, THROTTLE RETURN	1	
9#	16571ZH7000	LEVER, CONTROL	1	
10#	16574ZE1000	SPRING, LEVER	1	
11#	16575ZH8000	WASHER, CONTROL LEVER	1	
12#	16576891000	HOLDER, CABLE		
13#	16578ZE1000	SPACER, CONTROL LEVER	1	
15#	16580ZH7810	BASE CONTROL	1	
16#	16584883300	SPRING, CONTROL ADJUSTING	1	
17#	16592ZE1810	SPRING, CABLE RETURN	1	
18#	16594883010	HOLDER, WIRE	1	
22	90013883000	BOLT, FLANGE 6X12 (CT200)	1	
23	90015ZE5010	BOLT, GOVERNOR ARM	1	
25	90022888010	BOLT, FLANGE 6X20 (CT200)	1	
26#	90114SA0000	NUT, SELF- LOCK 6MM	1	
28#	93500040060H	SCREW 4X6	1	
30#	93500050250H	SCREW, PAN 5X25	1	
32#	93500050160A	SCREW, PAN 5X16	1	
33	9405006000	NUT, FLANGE 6MM	1	

HONDA GX120K1SM12 ENGINE — LABELS ASSY.

LABELS ASSY.



HONDA GX120K1SM12 ENGINE — LABELS ASSY.

LABELS ASSY.

<u>NO.</u>	<u>PART NO.</u>	<u>PART NAME</u>	<u>QTY.</u>	<u>REMARKS</u>
1	87521ZH7020	EMBLEM	1	
3	87522ZH9000	LABEL, CAUTION	1	
4	87528ZE1810	MARK, CHOKE	1	
6	87532ZH8810	MARK, OIL ALERT (E)	1	