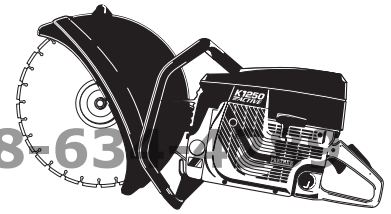


PARTNER

ConstructionParts.com

888-634-4289



IPL, K 1250 Active, 2001-04, 106 24 94-63

ConstructionParts.com

K 1250 Active

Reservdelar

Spare parts

Ersatzteile

Pieces de rechange

Piezas de repuesto

Ricambi

Peças

sobresselente

ConstructionParts.com

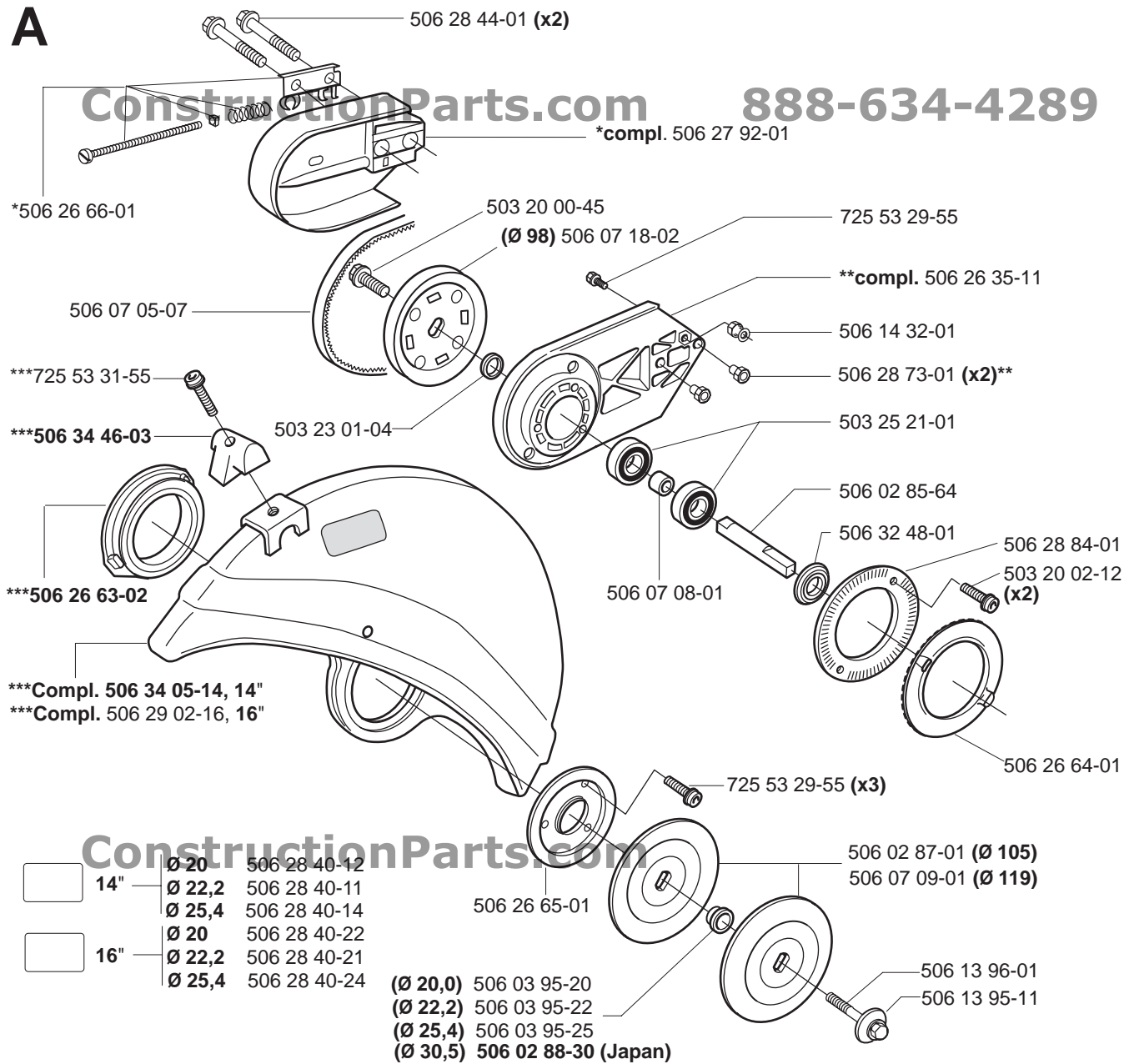
888-634-4289 106 24 94-63

PARTNER®

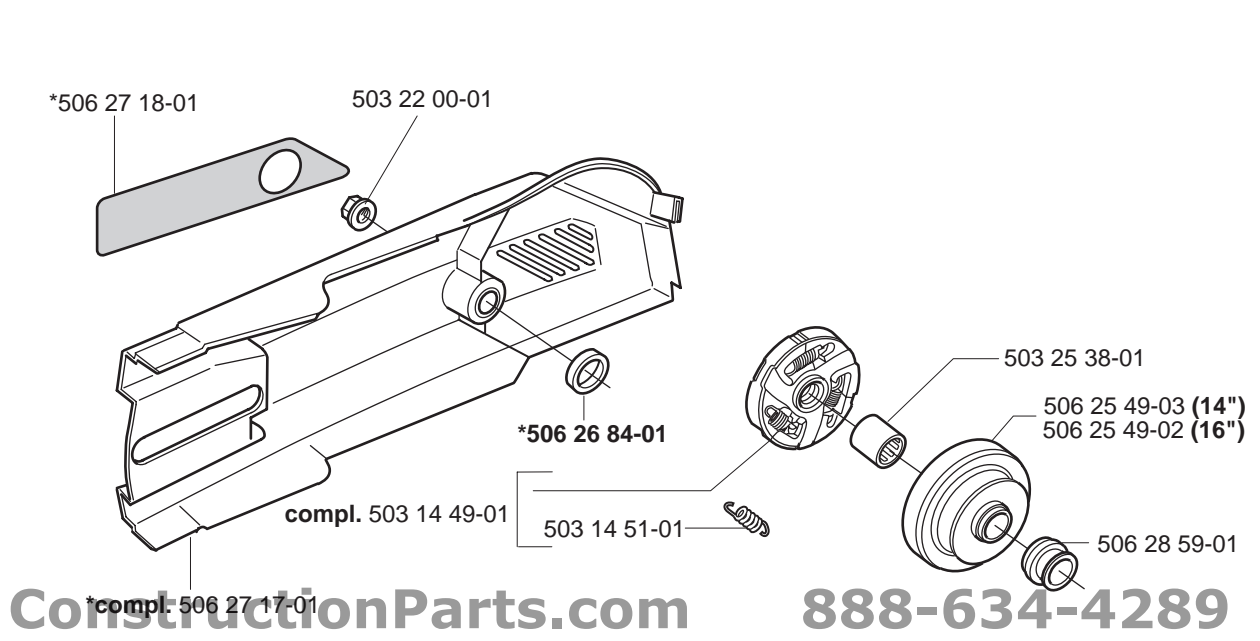
| No. | Pos. | Description | No. | Pos. | Description |
|--------------|-------|---------------------|--------------|------|------------------------|
| 501 26 97-04 | H | Antivib element | 503 21 05-25 | J | Screw |
| 501 27 08-01 | H | Sleeve | 503 21 06-16 | M | Screw |
| 501 46 75-01 | N | Gasket | 506 21 06-19 | Q | Screw |
| 501 46 84-01 | N | Spring | 503 21 06-32 | J | Screw |
| 501 46 85-01 | N | Ball | 503 21 45-16 | K | Screw |
| 501 48 54-02 | L | Spark plug conn. | 503 21 60-25 | D | Screw |
| 501 63 48-01 | L | Spring | 503 21 64-01 | F | Bolt |
| 501 66 61-01 | N | Screen | 503 21 75-65 | G | Bolt |
| 501 67 32-03 | L | Pawl | 503 21 90-08 | L | Screw |
| 501 69 17-02 | P | Combination tool | 503 22 00-01 | B,H | Nut M6MF M8 |
| 501 69 28-01 | N | Cover | 503 22 10-03 | L | Nut M 10x1 |
| 501 76 83-04 | K | Hose | 503 22 20-07 | F | Nut |
| 501 81 47-01 | K | Antivib element | 503 22 65-04 | J | Nut |
| 501 81 57-01 | H | Bolt | 503 23 00-05 | D | Washer 6.5x11 |
| 501 81 99-01 | L | Screw M5x14 | 503 23 00-42 | L | Washer 10x5,3x1 |
| 501 83 98-03 | L | Lead | 503 23 01-04 | A | Washer 15x21 |
| 501 89 25-73 | H | Crankcase cpl. | 503 23 43-02 | M | Washer |
| 501 89 41-03 | D | Piston cpl. | 503 23 51-08 | D | Spark plug RCJ7Y |
| 501 89 50-03 | L | Flywheel cpl. | 503 25 00-02 | E | Ball bearing 6203C3QE6 |
| 501 89 59-02 | L | Air conductor | 503 25 21-01 | A | Ball bearing |
| 501 89 67-01 | M | Pulley | 503 25 38-01 | B | Needle bearing |
| 502 10 31-01 | N | Bushing | 503 26 02-05 | H | Sealing ring |
| 503 11 72-01 | N | Gasket | 503 26 30-21 | Q | O-ring |
| 503 11 73-01 | N | Diaphragm | 503 28 12-17 | G,N | Carburettor |
| 503 11 75-01 | N | Screw with washer | 503 28 90-26 | D | Piston ring |
| 503 12 79-02 | M | Starter handle | 503 52 58-01 | N | Choke flap |
| 503 13 00-02 | F | Muffler cpl. | 503 52 59-01 | N | Spring |
| 503 13 13-04 | D | Gasket | 503 52 60-01 | N | Pin |
| 503 13 16-01 | K | Throttle catch | 503 56 34-01 | N | Inlet needle |
| 503 13 18-01 | K | Spring | 503 56 45-01 | N | Sealing ring |
| 503 13 20-01 | H | Grommet | 503 57 42-01 | N | Welch plug |
| 503 13 24-01 | L | Grommet | 503 57 76-02 | K | Hose 300 mm |
| 503 13 25-01 | K | Antivib element | 503 57 89-01 | K | Holder |
| 503 13 26-01 | K | Antivib element | 503 59 55-01 | N | O-ring |
| 503 13 27-01 | K | Antivib element | 503 59 56-01 | N | Lever |
| 503 13 29-01 | D,E | Needle bearing | 503 59 57-01 | N | Lever |
| 503 13 36-01 | K | Throttle lever | 503 59 58-01 | N | Cover |
| 503 13 46-01 | D | Gasket | 503 59 59-01 | N | Throttle shaft |
| 503 13 50-01 | M | Recoil spring | 503 59 65-01 | N | Screw |
| 503 14 05-01 | K | Plate | 503 59 72-01 | N | Washer |
| 503 14 08-01 | K | Bushing | 503 59 74-02 | N | Diaphragm set |
| 503 14 20-72 | E | Crankshaft cpl. | 503 59 84-01 | N | Nipple |
| 503 14 21-07 | K | Tank unit cpl. | 503 63 24-01 | N | Throttle valve |
| 503 14 23-01 | K | Throttle catch, kit | 503 63 28-01 | N | Diaphragm |
| 503 14 37-01 | G | Sealing | 503 63 29-01 | N | Screw (idle speed) |
| 503 14 49-01 | B | Clutch cpl. | 503 63 31-01 | N | Spring |
| 503 14 51-01 | B | Clutch spring | 503 63 32-01 | N | Screw (low speed) |
| 503 14 54-02 | H | Grommet | 503 66 56-01 | D | Valve |
| 503 19 22-01 | N | Screw | 503 71 79-01 | L | Stop switch |
| 503 20 00-45 | A | Screw | 503 90 17-01 | L | Ignition module |
| 503 20 02-10 | J | Screw | 503 97 66-01 | N | Jet |
| 503 20 02-12 | A,H,K | Screw | 504 35 72-01 | K | Tank vent filter |
| 503 20 02-20 | G,H | Screw | 505 31 67-17 | N | Screw |
| 503 20 02-25 | K | Screw | 505 31 67-23 | N | Lever spring |
| 503 20 02-30 | C,K | Screw | 505 31 67-31 | N | Lever axle |
| 503 20 02-65 | H | Screw MC6SF | 505 31 67-34 | N | Lever |
| 503 20 03-12 | J | Screw MC6SF | 505 31 67-37 | N | Spring |
| 503 20 25-20 | L | Screw | 505 31 67-48 | N | Washer |
| 503 20 34-25 | C,M | Screw | 506 02 83-01 | N | Washer |
| 503 20 34-55 | C | Screw | 506 02 85-64 | A | Shaft |

| No. | Pos. | Description | No. | Pos. | Description |
|--------------|------|-----------------------|--------------|------|--------------------|
| 506 02 87-01 | A | Flange washer Ø105 | 506 28 40-12 | A | Label 14-20 |
| 506 02 88-30 | A | Bushing | 506 28 40-14 | A | Label 14-25,4 |
| 506 03 95-20 | A | Bushing | 506 28 40-21 | A | Label 16-22,2 |
| 506 03 95-22 | A | Bushing | 506 28 40-22 | A | Label 16-20 |
| 506 03 95-25 | A | Bushing | 506 28 40-24 | A | Label 16-25,4 |
| 506 07 05-07 | A | Belt | 506 28 44-01 | A | Bolt |
| 506 07 08-01 | A | Spacer | 506 28 59-01 | B | Spacer sleeve |
| 506 07 09-01 | A | Flange washer Ø119 | 506 28 73-01 | A | Nut |
| 506 07 18-02 | A | Pulley | 506 28 84-01 | A | Flange |
| 506 09 56-02 | Q | Clamp | 506 28 97-01 | G | Flange, intake |
| 506 13 95-11 | A | Washer | 506 28 98-01 | K | Throttle wire cpl. |
| 506 13 96-01 | A | Screw | 506 29 02-16 | A | Guard 16i |
| 506 14 32-01 | A | Catch | 506 29 21-01 | K | Gasket |
| 506 14 90-01 | J | Support | 506 29 24-01 | P | Gasket set |
| 506 23 18-01 | C | Housing | 506 29 39-01 | K | Tank vent |
| 506 23 34-01 | K | Protector | 506 29 42-71 | D | Cylinder cpl |
| 506 23 70-01 | H | Air jet | 506 29 56-01 | Q | Nipple |
| 506 24 10-71 | G | Intake pipe | 506 29 57-01 | Q | Nipple |
| 506 24 13-01 | G | Air horn | 506 29 88-01 | Q | Screw |
| 506 24 14-01 | H | Cutting arm | 506 31 38-01 | G | Insert |
| 506 25 01-01 | J | Support | 506 31 77-11 | Q | Valve cpl |
| 506 25 02-01 | G | Insert | 506 32 48-01 | A | Sleeve |
| 506 25 03-01 | C | Insert | 506 32 87-01 | Q | Y-ube |
| 506 25 04-01 | G | Support , carburettor | 506 32 89-03 | Q | Wet cutting kit |
| 506 25 43-01 | H | Choke control | 506 33 56-25 | M | Sarter rope |
| 506 25 46-01 | G | Guide | 506 34 05-14 | A | Guard 14" |
| 506 25 49-02 | B | Drive wheel (16") | 506 34 14-01 | D | Cooling plate |
| 506 25 49-03 | B | Drive wheel (14") | 506 34 46-03 | AQ | Handle |
| 506 25 53-01 | J | Handle | 530 03 50-15 | N | Screw, shutter |
| 506 25 56-01 | C | Filter cover | 537 00 28-01 | N | O-ring |
| 506 25 57-01 | C | Filter base | 537 00 29-01 | N | Insert |
| 506 25 58-01 | M | Starter housing | 537 00 30-01 | N | Choke shaft |
| 506 25 59-32 | K | Tank cap cpl | 537 00 31-01 | N | Screw |
| 506 26 35-11 | A | Housing | 537 15 34-01 | N | Jet |
| 506 26 41-01 | K | Fuel filter | 720 12 40-20 | K | Pin |
| 506 26 41-11 | K | Fuel filter cpl | 720 12 78-06 | K | Pin 4x35 |
| 506 26 63-02 | A | Lining | 721 42 06-00 | H | Pin |
| 506 26 64-01 | A | Flange | 725 53 29-55 | A | Screw MC6S 5x16 |
| 506 26 65-01 | A | Flange | 725 53 31-55 | A,H | Screw MC6S 5x20 |
| 506 26 66-01 | A | Tensioner | 725 53 39-55 | H | Screw MC6S 5x40 |
| 506 26 84-01 | B | Sleeve | 725 53 41-55 | K | Screw MC6S 5x50 |
| 506 26 87-01 | C | Foam filter | 725 53 68-55 | FK | Screw MC6S 6x16 |
| 506 26 97-02 | H | Plug | 725 53 70-55 | H,J | Screw MC6S 6x20 |
| 506 27 11-01 | K | Fuel filter weight | 729 53 40-01 | F | Screw |
| 506 27 17-01 | B | Clutch cover | 735 11 73-50 | L | Spring washer |
| 506 27 18-01 | B | Decal | 735 88 06-00 | E | Woodruff key |
| 506 27 43-01 | G | Gasket | 737 44 13-00 | D | Clip |
| 506 27 49-01 | F | Exhaust pipe | | | |
| 506 27 54-01 | C | Cylinder cover | | | |
| 506 27 55-01 | M | Starter cpl. | | | |
| 506 27 84-11 | C | Decal EPA | | | |
| 506 27 84-12 | C | Decal CE | | | |
| 506 27 84-23 | C | Decal Canada | | | |
| 506 27 87-01 | F | Support, muffler | | | |
| 506 27 89-01 | M | Decal | | | |
| 506 27 90-01 | C | Decal K1250 | | | |
| 506 27 91-01 | C | Decal, instruction | | | |
| 506 27 92-01 | A | Cover, belt | | | |
| 506 28 39-30 | C | Sealing | | | |
| 506 28 40-11 | A | Label 14-22,2 | | | |

A



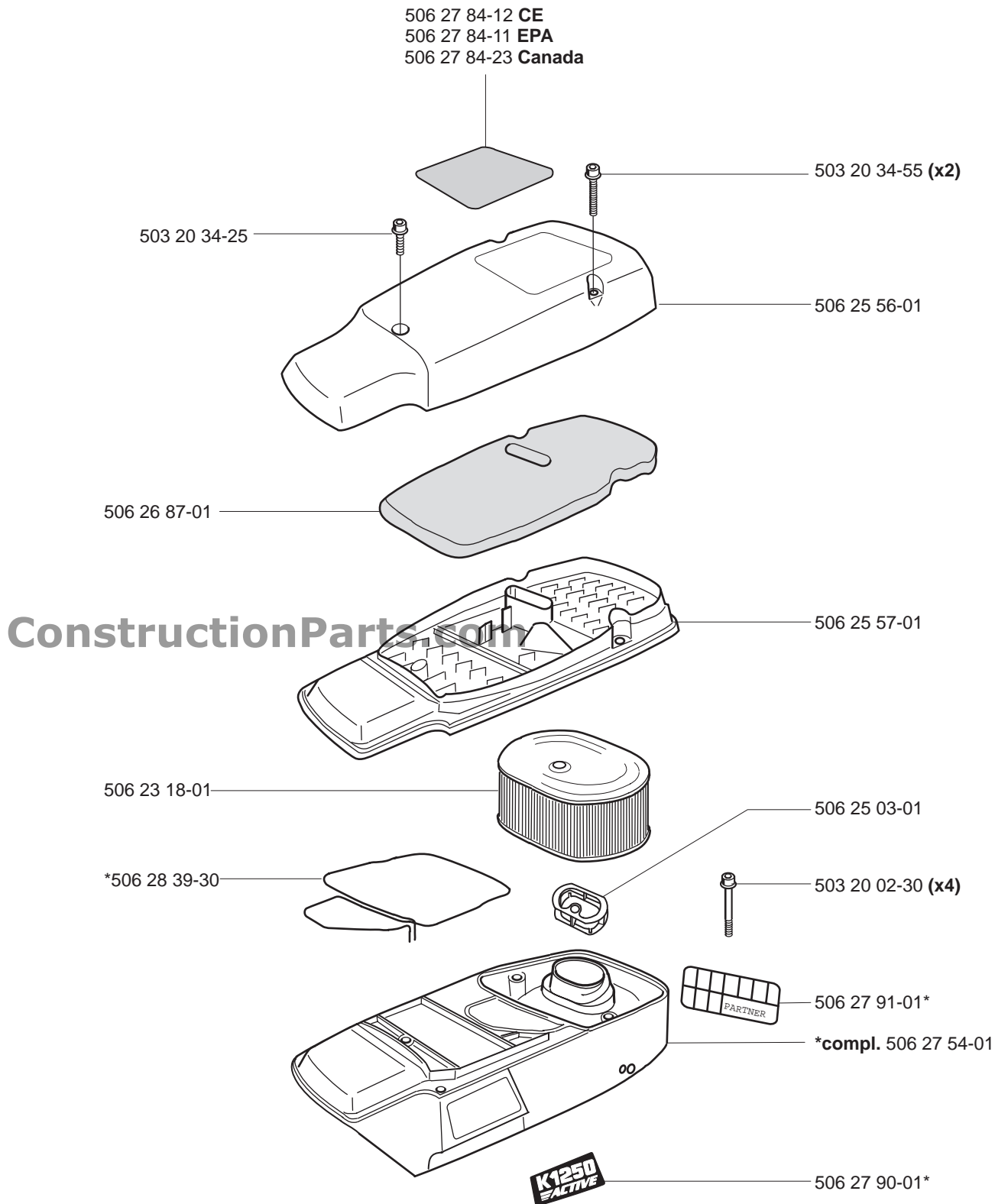
B



C

ConstructionParts.com

888-634-4289

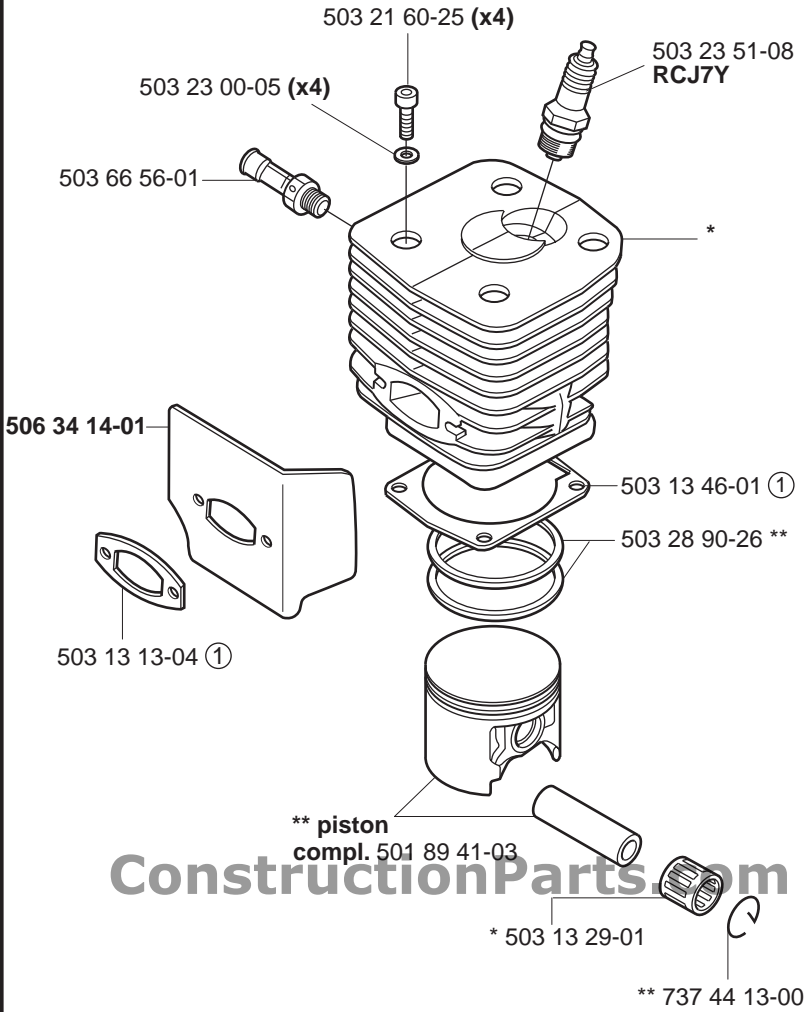


ConstructionParts.com

888-634-4289

D cylinder *compl. 506 29 42-71

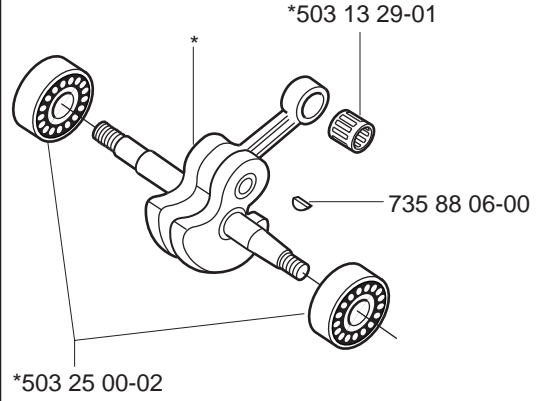
ConstructionParts.com



① Gasket set 506 29 24-01

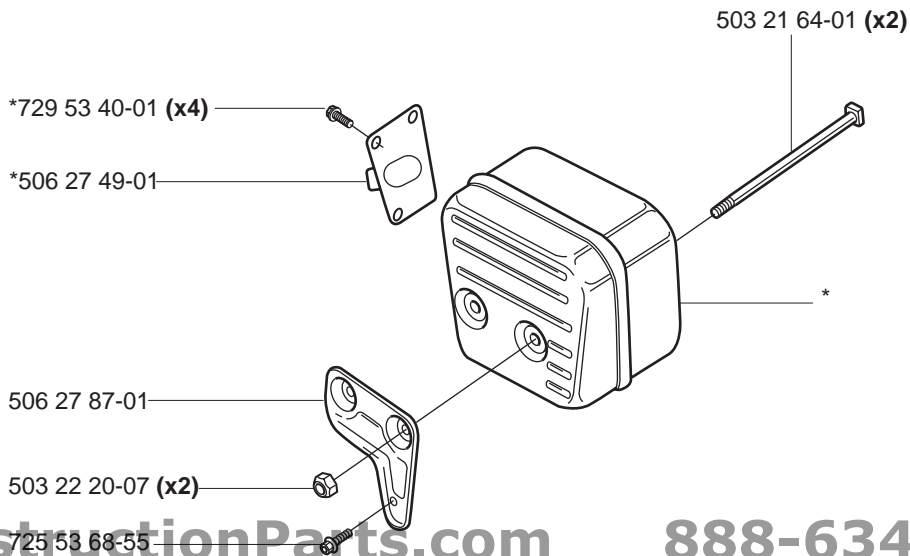
E *compl. 503 14 20-72

888-634-4289



F *compl. 503 13 00-02

ConstructionParts.com

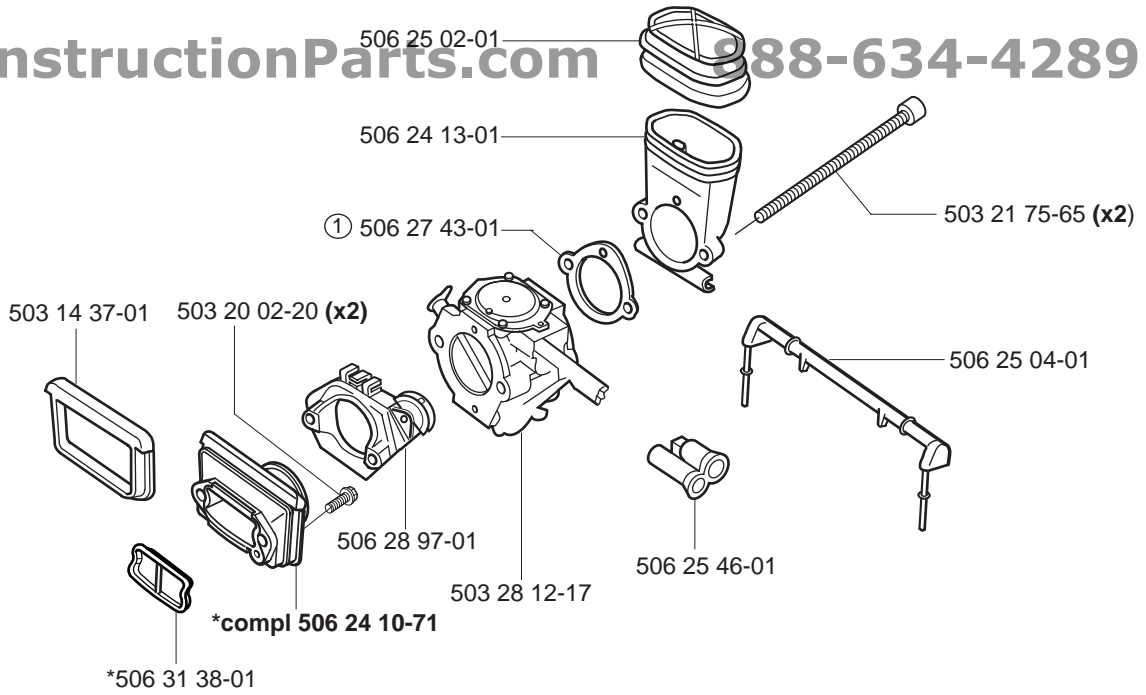


888-634-4289

G

ConstructionParts.com

888-634-4289



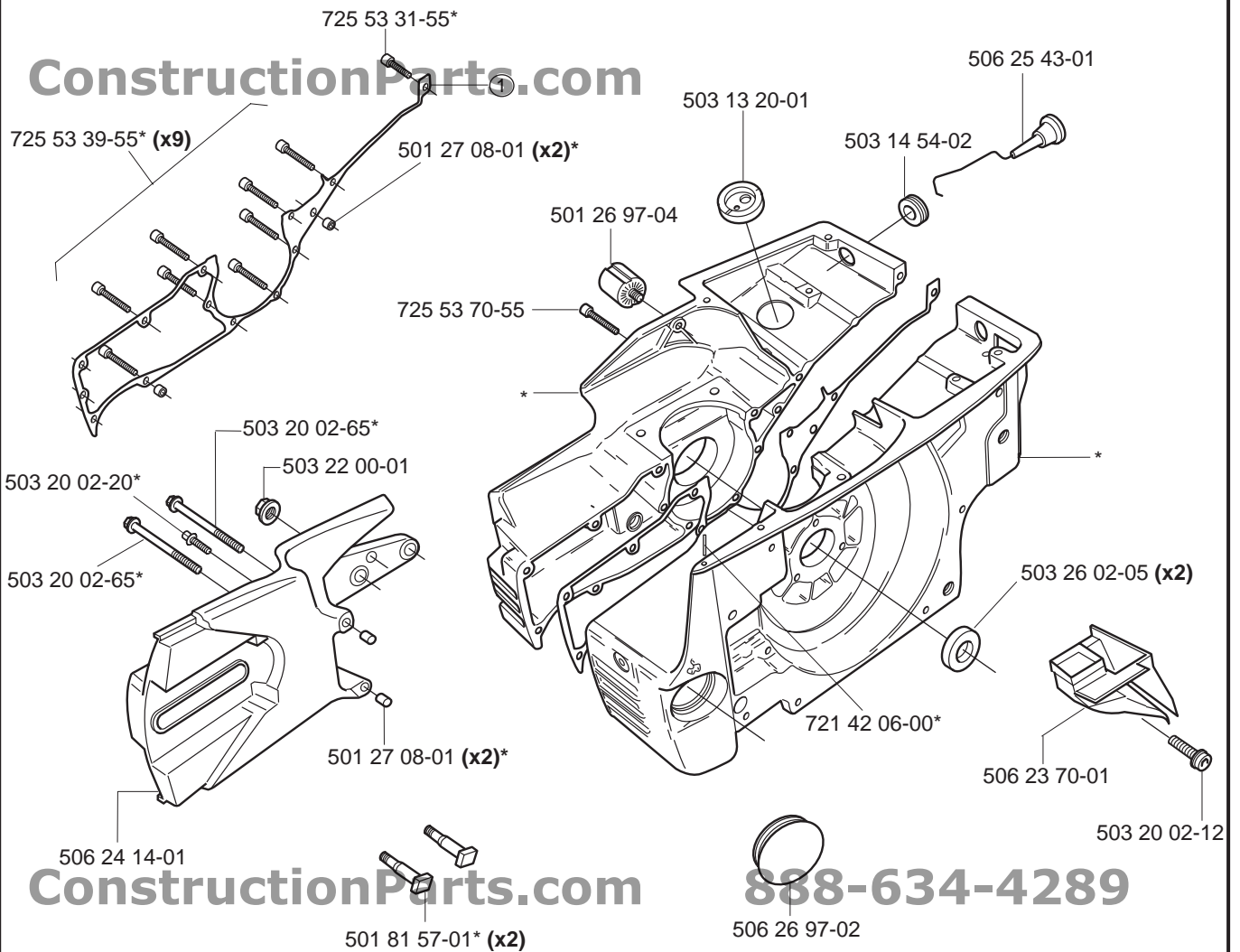
① Gasket set 506 29 24-01

H

crankcase * compl. 501 89 25-73

ConstructionParts.com

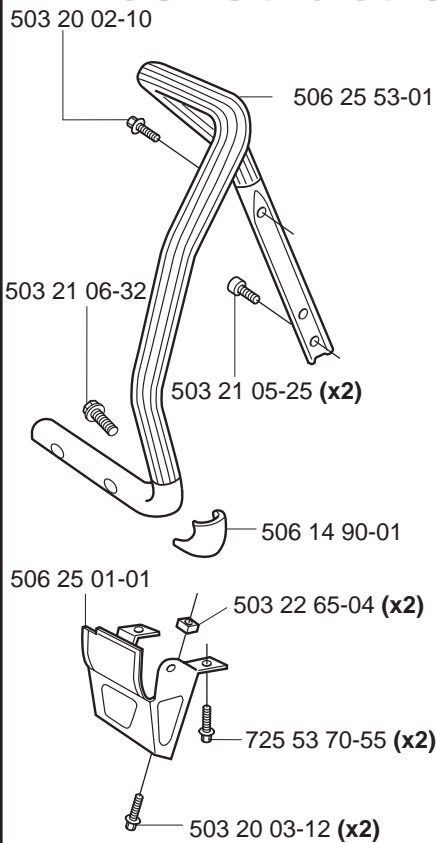
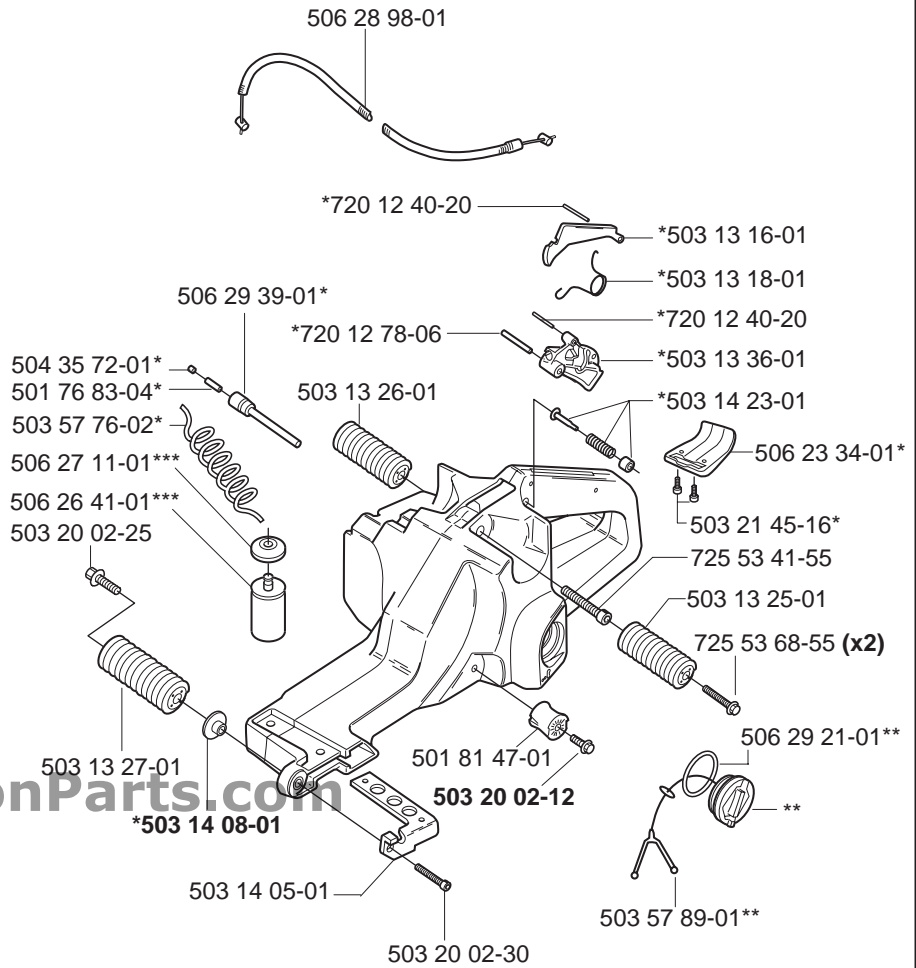
888-634-4289



ConstructionParts.com

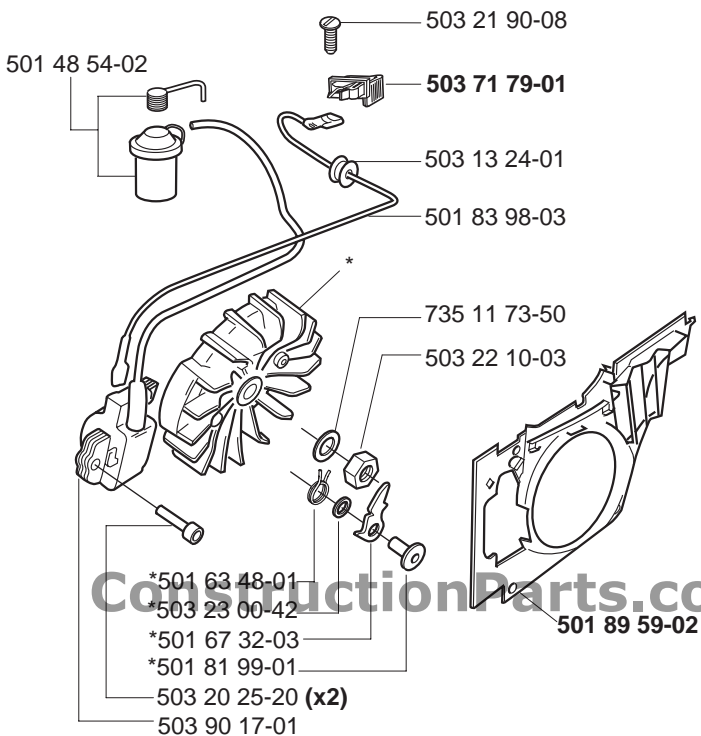
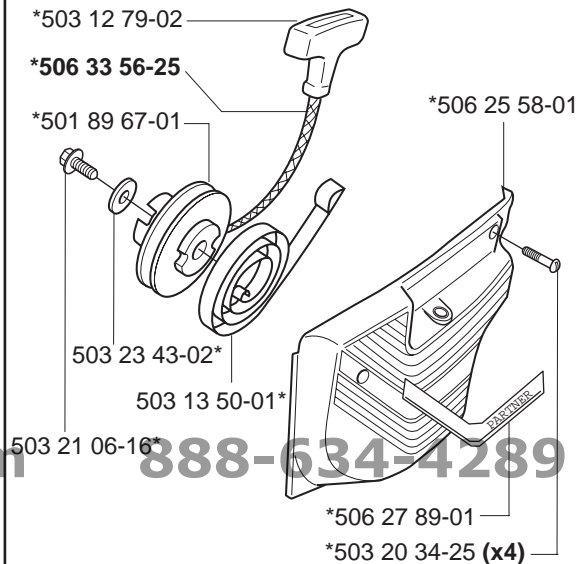
888-634-4289

① Gasket set 506 29 24-01

J**K** tank unit * compl. 503 14 21-07**ConstructionParts.com****888-634-4289****ConstructionParts.com**

*** compl. 506 26 41-11

**compl. 506 25 59-32

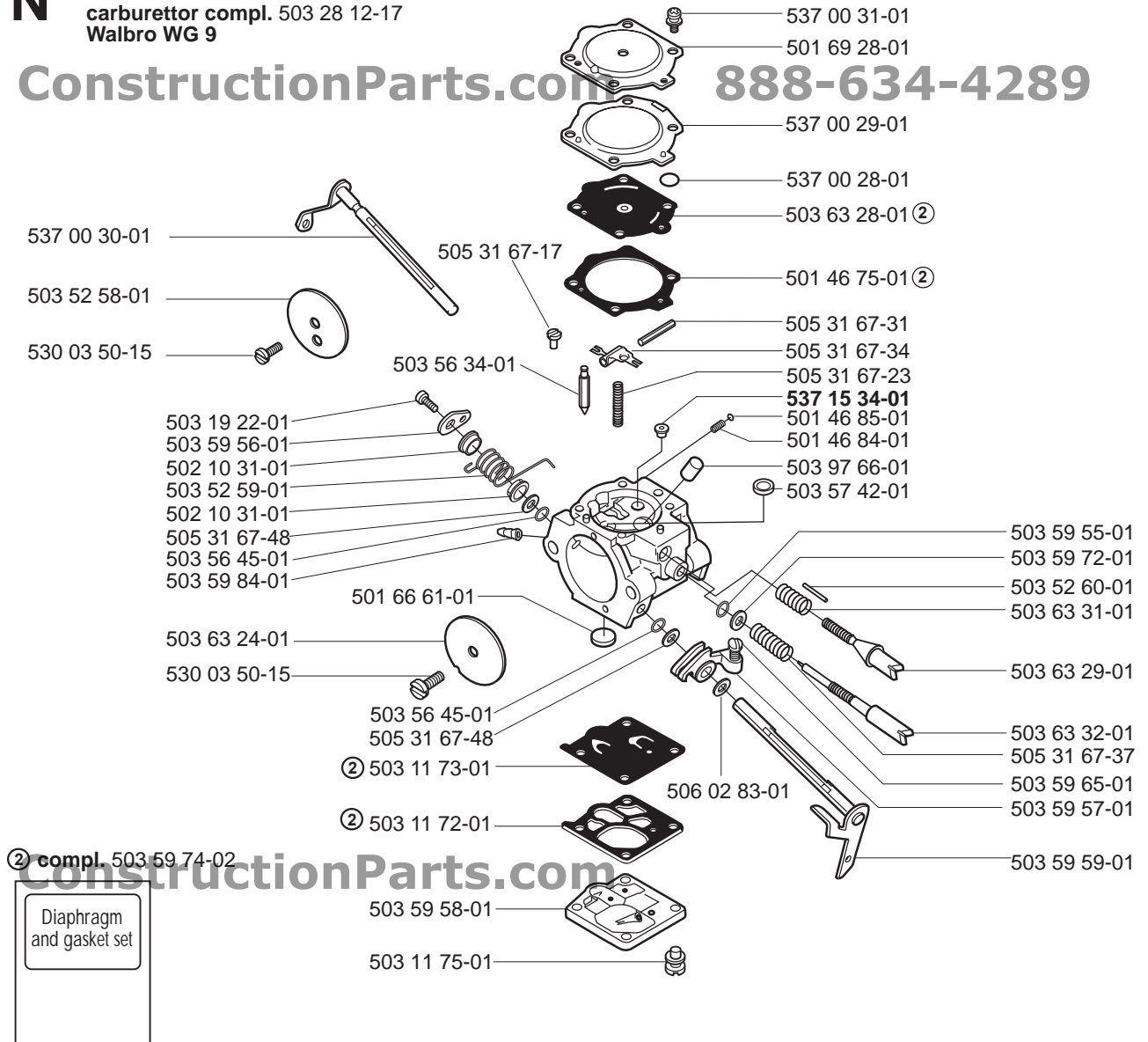
L *flywheel compl. 501 89 50-03**ConstructionParts.com****M** *starter compl. 506 27 55-01**888-634-4289**

N

carburettor compl. 503 28 12-17
Walbro WG 9

ConstructionParts.com

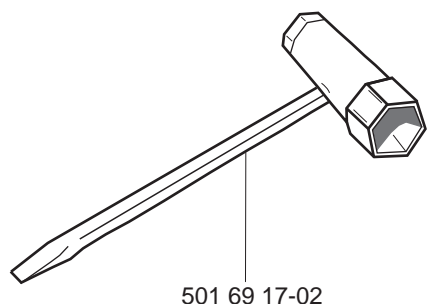
888-634-4289



P



① 506 29 24-01



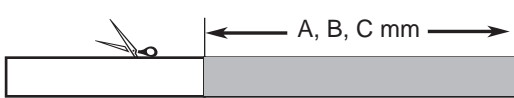
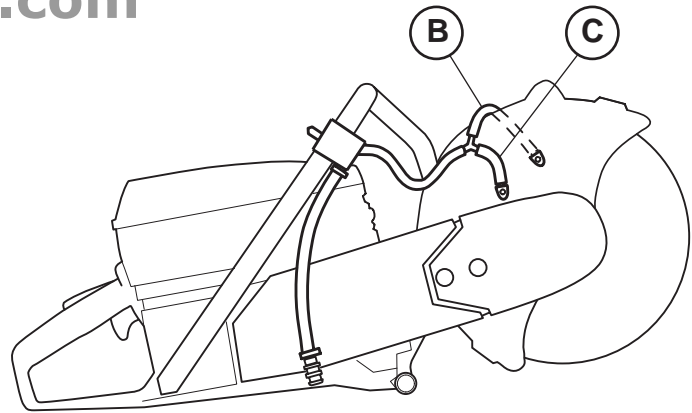
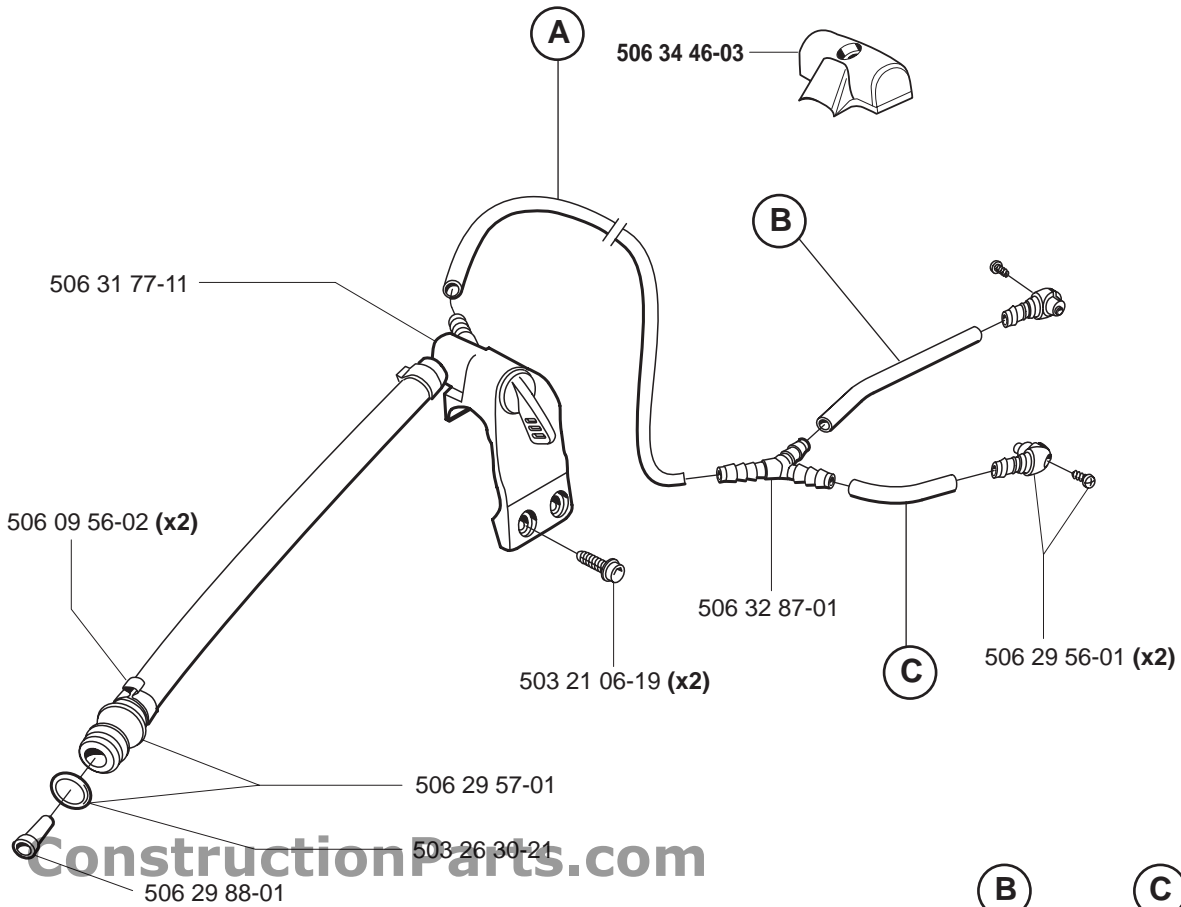
ConstructionParts.com

888-634-4289

Q

Wet cutting kit 506 32 89-03

ConstructionParts.com 888-634-4289



| Product | A (mm) | B (mm) | C (mm) |
|--------------|--------|--------|--------|
| K650A-II 12" | 270 | 210 | 45 |
| K700A-II 14" | 270 | 300 | 45 |
| K950A | 12" | 240 | 45 |
| | 14" | 240 | 280 |
| | 16" | 270 | 350 |
| K1250A | 14" | 280 | 45 |
| | 16" | 270 | 350 |
| K2500 16" | 240 | 350 | 45 |
| K30 12" | 270 | 210 | 45 |
| K40 14" | 240 | 300 | 45 |

ConstructionParts.com 888-634-4289