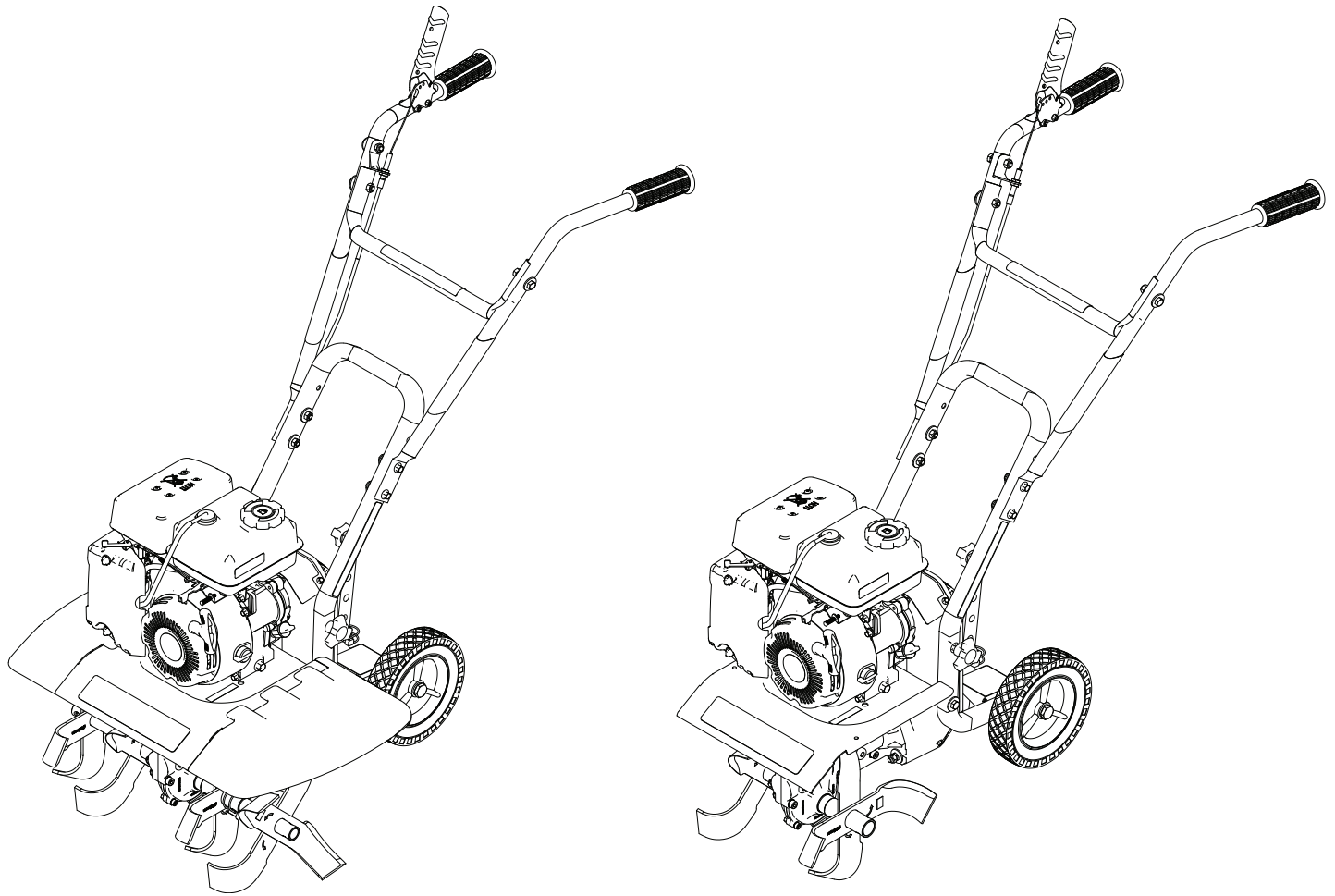




Operator's Manual
Original Operating Instructions
**VERSA Compact Tiller
and Cultivator**

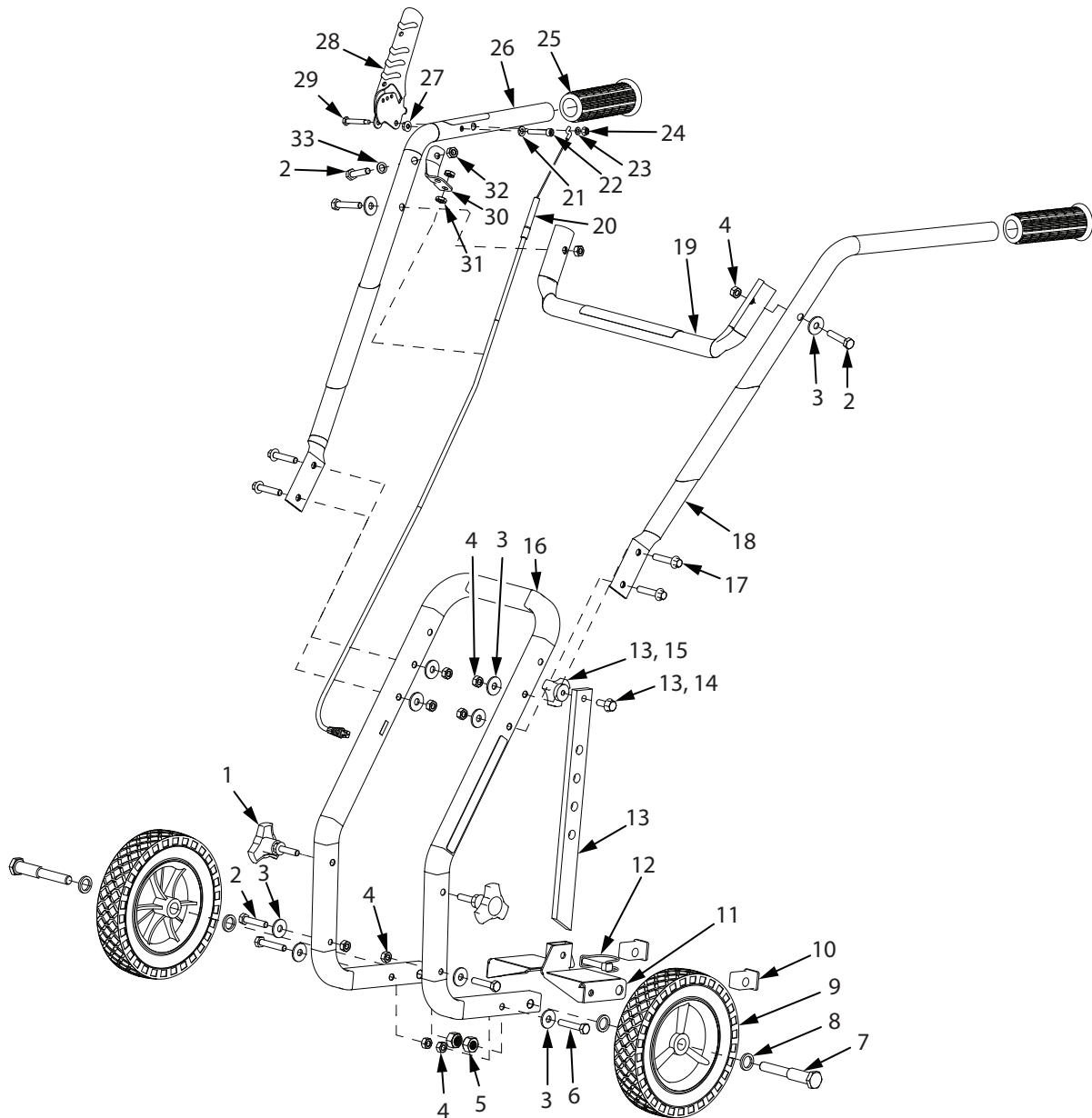


Includes Model:
20015



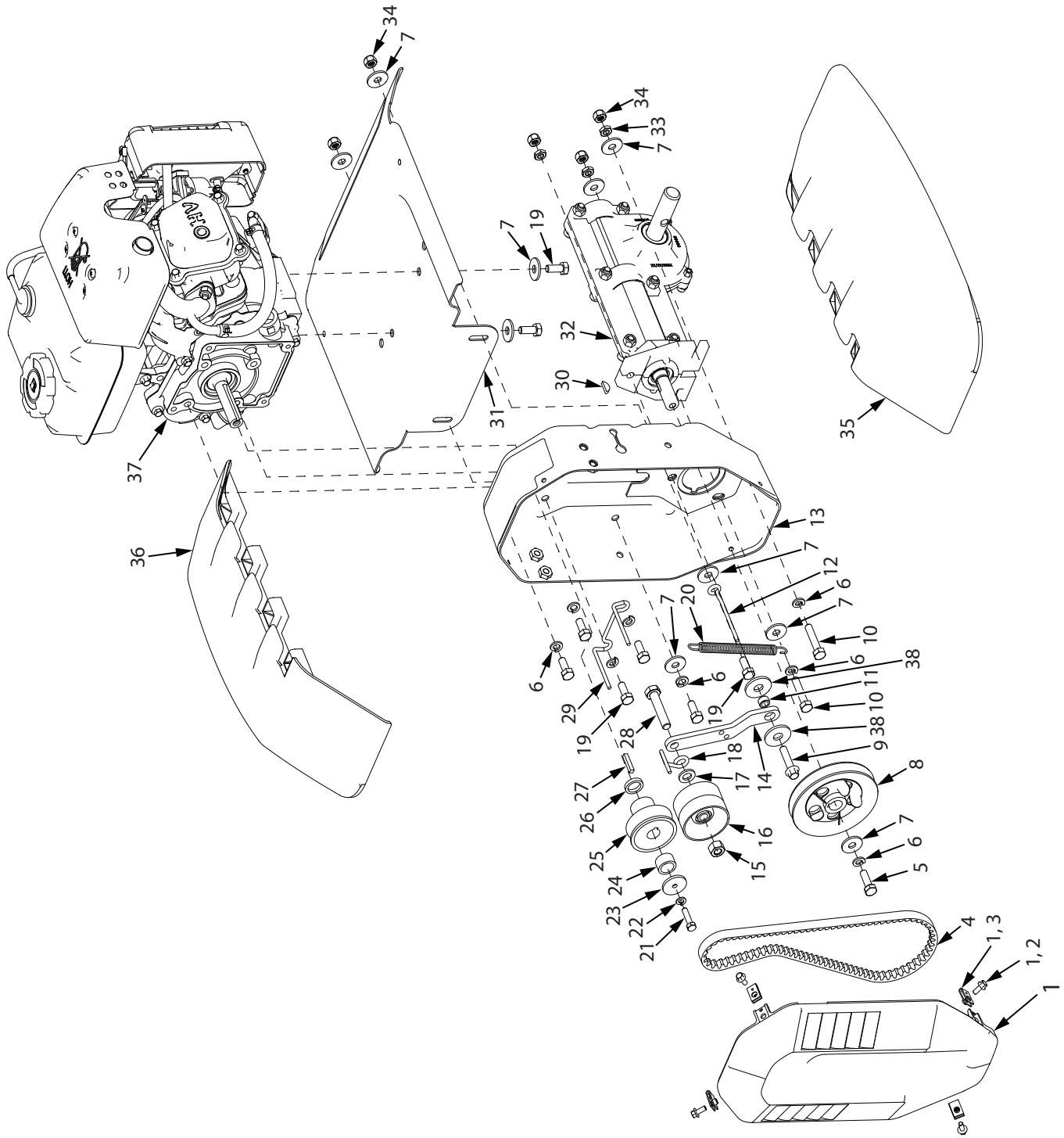
P/N: 20153
ECN: 10974
REV1: 12/01/15
© 2015 Ardisam, Inc.
All Rights Reserved

ILLUSTRATED PARTS BREAKDOWN Handle Bar Assembly



ITEM #	PART #	DESCRIPTION	QTY
1	20057	BOLT M8 THREE STAR KNOB	2
2	12770	BOLT M8 X 1.25 X 40 HEX HEAD	5
3	3245	WASHER M8 X 24 X 2 FLAT	10
4	400023	NUT M8 X 1.25 NYLOCK	10
5	17987	NUT M12 X 1.25 NYLOCK	2
6	18098	BOLT M8 X 1.25 X 45 HEX HEAD	2
7	17988	BOLT M12 X 1.25 X 97 SHOULDER	2
8	10517	WASHER 16 X 25 X 2.5 MM FLAT	4
9	15856	WHEEL 8 X 5/8 IN GREY	2
10	20056	PLUG SQUARE TUBE END NYLON	2
11	23543	BRACKET DRAG STAKE HOLDER	1
12	18039	LOCK PIN 8 X 40 MM	1
13	18131	DRAG STAKE ASSEMBLY	1
14	W1265V0904	BOLT M8 X 1.25 X 20 HEX HEAD	1
15	13601	NUT M8 X 1.25 THREE STAR KNOB	1
16	20053	FRAME HANDLEBAR MOUNT	1
17	19922	BOLT M8 X 1.25 X 40 HEX FLANGE	4
18	20050	HANDLEBAR LEFT	1
19	20052	HANDLEBAR MIDDLE	1
20	20054	CABLE DRIVE CONTROL	1
21	W1200117	WASHER M6 X 13 X 1.75 FLAT	1
22	20347	BOLT M6 X 1.0 X 35 SOCKET HEAD	1
23	3308	WASHER 5 X 10 X 1.0 FLAT	1
24	3248	NUT M5 X 0.8 NYLOCK FLANGE	1
25	13833	GRIP 1 IN KNOB TEXTURED	2
26	23548	HANDLEBAR RIGHT	1
27	13599	NUT M6 X 1.0 NYLOCK FLANGE	1
28	23540	LEVER CLUTCH FORWARD	1
29	13159	BOLT M5 X 0.8 X 7 SHOULDER	1
30	23563	BRACKET CABLE MOUNT	1
31	4620	JAM NUT M8 X 1.25	2
32	13508	BAR NUT M8 X 1.25	1
33	W1200114	WASHER M8 SPRING LOCK	1

ILLUSTRATED PARTS BREAKDOWN Chassis Assembly



ITEM #	PART #	DESCRIPTION	QTY
1	23552	PULLEY BOX COVER WITH HARDWARE	1
2	400018	BOLT M5 X 0.8 X 12 HEX FLANGE	4
3	23873	CAGE NUT M5 X 0.8	4
4	20343	BELT TOOTH 4L	1
5	13826	BOLT M8 X 1.25 X 25 HEX HEAD	1
6	W1200114	WASHER M8 SPRING LOCK	8
7	3245	WASHER M8 X 24 X 2 FLAT	10
8	20067	PULLEY TRANSMISSION FLUTED	1
9	23541	BOLT M8 X 1.25 X 35 HEX FLANGE	1
10	12770	BOLT M8 X 1.25 X 40 HEX HEAD	2
11	23981	BUSHING 8.3 X 12.5 X 6.8 MM STEEL	1
12	20345	WIRE BELT GUIDE SINGLE LOOP	1
13	23542	PULLEY BOX	1
14	20060	FORWARD IDLER ARM	1
15	3235	NUT M10 X 1.5 TOPLOCK	1
16	13364	IDLER PULLEY	1
17	2431	WASHER M10 X 20 X 2 FLAT	1
18	22563	WIRE BELT CATCH SINGLE LOOP	1
19	W1265V0904	BOLT M8 X 1.25 X 20 HEX HEAD	6
20	23506	EXTENSION SPRING 120.4 X 1.65	1
21	23511	BOLT M6 X 1.0 X 25 HEX HEAD	1
22	W1200116	WASHER M6 SPRING LOCK	1
23	20344	WASHER M6 X 29.5 X 3 FLAT	1
24	20244	BUSHING 16.4 X 12.2 X 22 MM STEEL	1
25	18022	PULLEY ENGINE SINGLE GROOVE	1
26	20246	BUSHING 16.4 X 4 X 22 MM NYLON	1
27	23512	KEY 4.8 X 25 MM SQUARE	1
28	20145	BOLT M10 X 1.5 X 50 HEX HEAD	1
29	20059	WIRE BELT GUIDE DOUBLE LOOP	1
30	21819	KEY 4 X 6.5 X 16 MM WOODRUFF	1
31	20061	TINE SHIELD CENTER	1
32	20165	TRANSMISSION 12.5:1	1
33	4620	JAM NUT M8 X 1.25	3
34	400023	NUT M8 X 1.25 NYLOCK	5
35	20071	TINE SHIELD RIGHT	1
36	20070	TINE SHIELD LEFT	1
37*	13276	ENGINE R100 99CC VIPER	1
38	23982	WASHER 8.5 X 32.5 X 3 MM FLAT	2

* See engine manual for engine parts explosion

ILLUSTRATED PARTS BREAKDOWN Transmission Assembly



ITEM #	PART #	DESCRIPTION	QTY
1	18039	LOCK PIN 8 X 40 MM	2
2	13905	TINE SET OUTER RIGHT	1
3	400023	NUT M8 X 1.25 NYLOCK	8
4	13903	TINE SET INNER	2
5	W1200114	WASHER M8 SPRING LOCK	2
6	18098	BOLT M8 X 1.25 X 45 HEX HEAD	2
7	20066	SLEEVE TINE SHAFT STEEL	2
8	4650	NUT M6 X 1.0 NYLOCK	2
9	21815	COVER SHAFT SEAL	2
10	331042	SEAL 20 X 32 X 6 MM	3
11*	---	TRANSMISSION CASTING RIGHT	1
12	20423	TINE SHAFT 209 MM	1
13	3309	BEARING 6004 2RS	2
14	21814	SPACER BEARING	4
15	21816	RETAINING RING 3AM1-20	2
16	20065	GEAR 25 TOOTH BRONZE	1
17	21817	KEY 5 X 7.5 X 19 MM WOODRUFF	1
18	331021	BEARING TAPERED 30203	1
19	20069	DRIVE SHAFT WORM	1
20*	---	TRANSMISSION CASTING LEFT	1
21	21810	WASHER M8 EXTERNAL TOOTH	6
22	21818	WASHER M6 EXTERNAL TOOTH	2
23	21808	BOLT M8 X 1.25 X 40 SOCKET HEAD	4
24	13222	BOLT M6 X 1.0 X 25 SOCKET HEAD	2
25	400022	BOLT M8 X 1.25 X 25 SOCKET HEAD	2
26	13904	TINE SET OUTER LEFT	1
27	3220	BEARING 30204	1

** Right and left castings sold as complete transmission 20165 assembly only*