

## WTB-16PD POWER BUGGY

Table Of Contents.....	2
Explanation Of Code In Remarks Column.....	4
Suggested Spare Parts .....	5

### Component Drawings

Nameplate And Decals Assembly .....	6-7
Platform Assembly.....	8-9
Cap Filler Breather Assembly .....	10-11
Rubber Track/Roller Wheel Assembly.....	12-13
Sprocket/Roller Wheel Assembly .....	14-15
Dump/Pivot Pedals Assembly.....	16-17
Tub Assembly .....	18-19
Pivot Assembly .....	20-21
Gear Rack Assembly .....	22-23
Protective Covers Assembly.....	24-25
Dump/Pivot Cylinders Assembly.....	26-27
Steering Assembly.....	28-29
Pump Control Rods Assembly.....	30-31
Control Rods Steering Levers Assembly .....	32-33
Hydraulic Drive Motor Assembly .....	34-35
Hydraulic Oil Filter Assembly.....	36-37
Hydraulic Oil Cooler Assembly .....	38-39
Electronic Components Assembly .....	40-41
Engine Mounting/Muffler Assembly .....	42-43
Fuel Tank Assembly.....	44-45
Fuel Tank Enclosure Assembly .....	46-47
Panels Assembly .....	48-49
Engine Service Parts.....	50-51

#### **NOTICE**

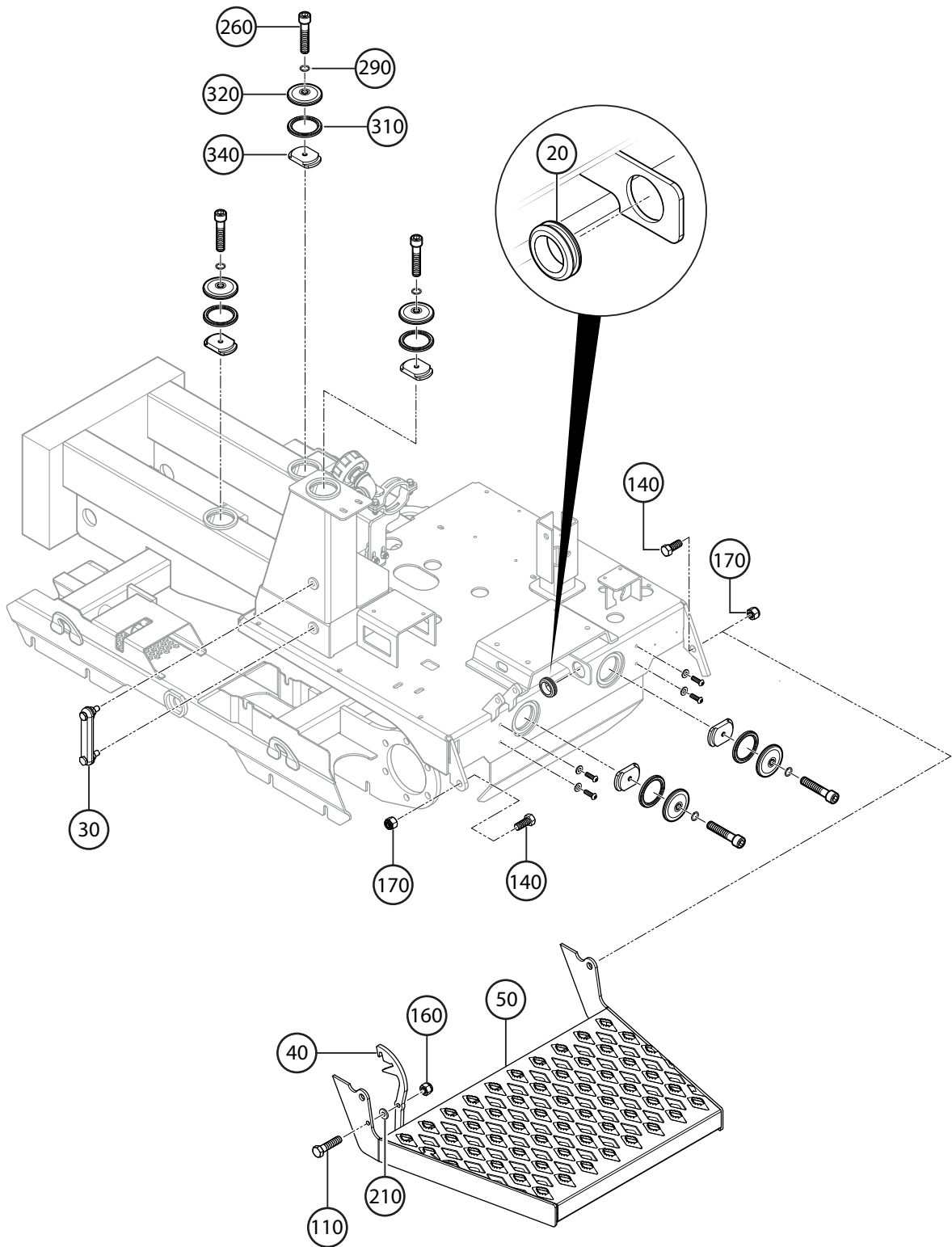
Specifications and part numbers are subject to change without notice.



## NAMEPLATE AND DECALS ASSY.

<u>NO.</u>	<u>PART NO.</u>	<u>PART NAME</u>	<u>QTY.</u>	<u>REMARKS</u>
1	513393	DECAL, TIE-DOWN POINT	4	
2	18252	DECAL, MQ WHITEMAN	2	
3		DECAL, WHITEMAN LOGO .....	1	MOLDED INTO TUB
4		DECAL, BUCKET DUMP LEVER .....	1	MOLDED INTO FUEL TANK COVER
5		DECAL, WHITEMAN SAFETY INSTRUCTIONS .....	1	MOLDED INTO FUEL TANK COVER
6	806871	DECAL, INSTRUCTIONS, TRACK TENSION	1	
7	807137	DECAL, DECAL, OIL LEVEL	1	
9		PLATE, SERIAL NUMBER.....	1	CONTACT MQ PARTS DEPT.
10	491757	RIVET, I.D. PLATE	2	
11	513608	DECAL, LIFTING HOOK	3	
12	808229	DECAL, WTB16PD	2	
13	521346	DECAL, WARNING CONNECT BATT. CABLES	1	
14	806875	DECAL, OVERLAY, STEERING	1	
15	806876	DECAL, RELAY, FUSES	1	
16	806868	DECAL, OVERLAY, EMERG. STP./PARK BRAKE	1	
17	35137	DECAL, READ MANUAL, ASK FOR TRAINING	1	
18		DECAL, GASOLINE ONLY .....	1	MOLDED INTO FUEL TANK COVER
19	18247	DECAL, CRUSH WARNING	1	
20	18248	DECAL, HOT SURFACE WARNING	1	
21	518524	DECAL, ISO 9001:2008	1	
22	806869	DECAL, FUEL VALVE LEVER, ON/OFF	1	
23	EM985	DECAL, HYDRAULIC OIL	1	
24	520935	DECAL, SAFETY INSTRUCTIONS	1	
25	808260	DECAL, BUCKET PIVOT LEVER	1	

# PLATFORM ASSY.

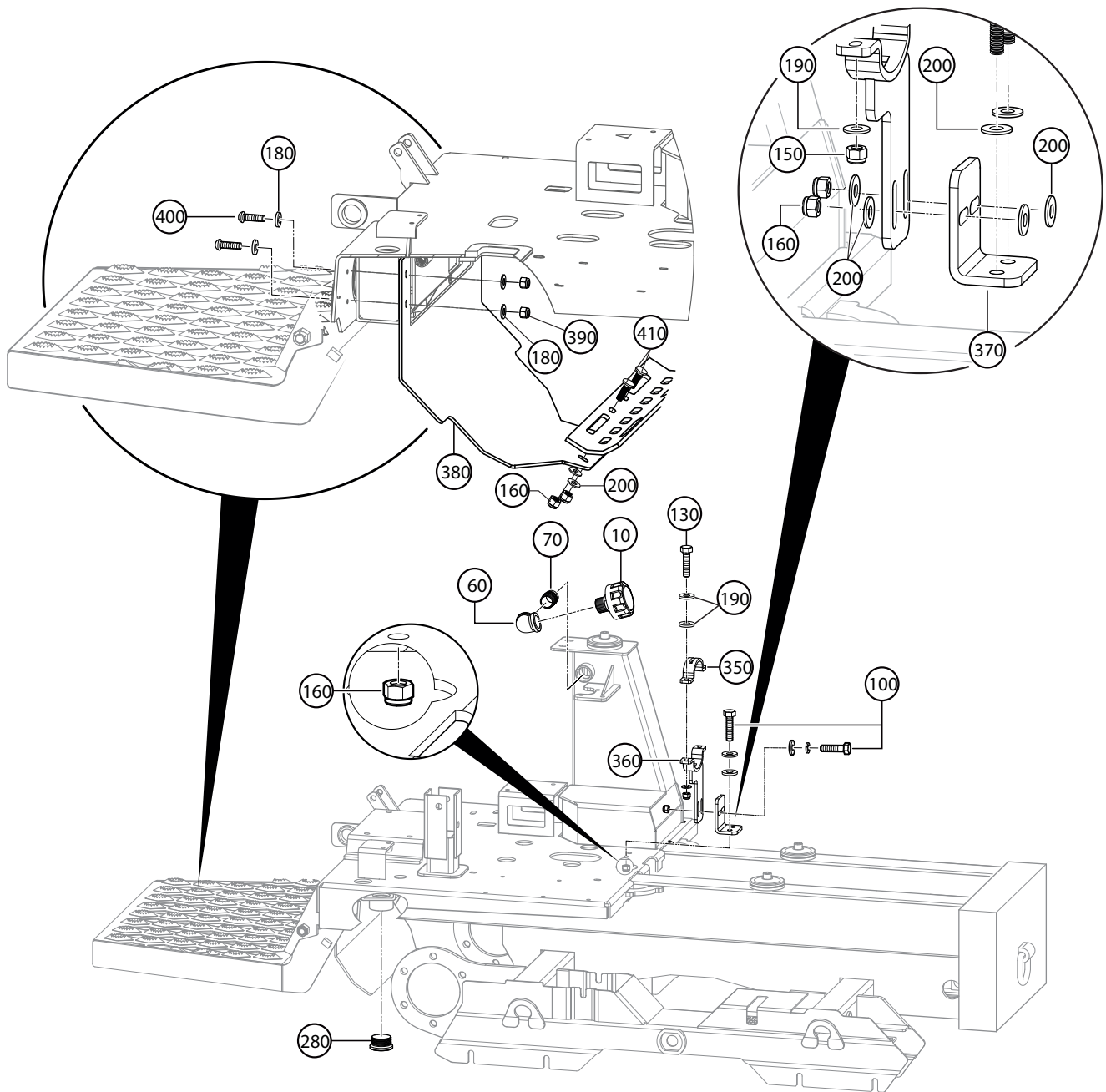


## PLATFORM ASSY.

---

<u>NO.</u>	<u>PART NO.</u>	<u>PART NAME</u>	<u>QTY.</u>	<u>REMARKS</u>
20	13212	GROMMET, 1-1/4" ID	1	
30	18052	SIGHT GAUGE	1	
40	18173	LATCH PLATFORM	1	
50	18222	PLATFORM OPERATOR	1	
110	EM963057	BOLT, 3/8" DIA. ....	1.....	REPLACES P/N 492313
140	492406	BOLT, GD 8	2	
160	EM969013	NUT, NYLON 3/8" NC NYLON G8.....	5.....	REPLACES P/N 492583
170	EM969023	NUT, LOCK 5/8" NC NYLON G8.....	2.....	REPLACES P/N 492586
210	3019092	WASHER, FLAT 3/8".....	1.....	REPLACES P/N 492598
260	505990	BOLT 1/2" X 2-1/2"	5	
290	520343	O-RING	5	
310	806327	RUBBER SEAL, COVER	5	
320	806328	COVER, RESERVOIR	5	
340	806523	RETAINER/COVER	5	

# CAP FILLER BREATHER ASSY.

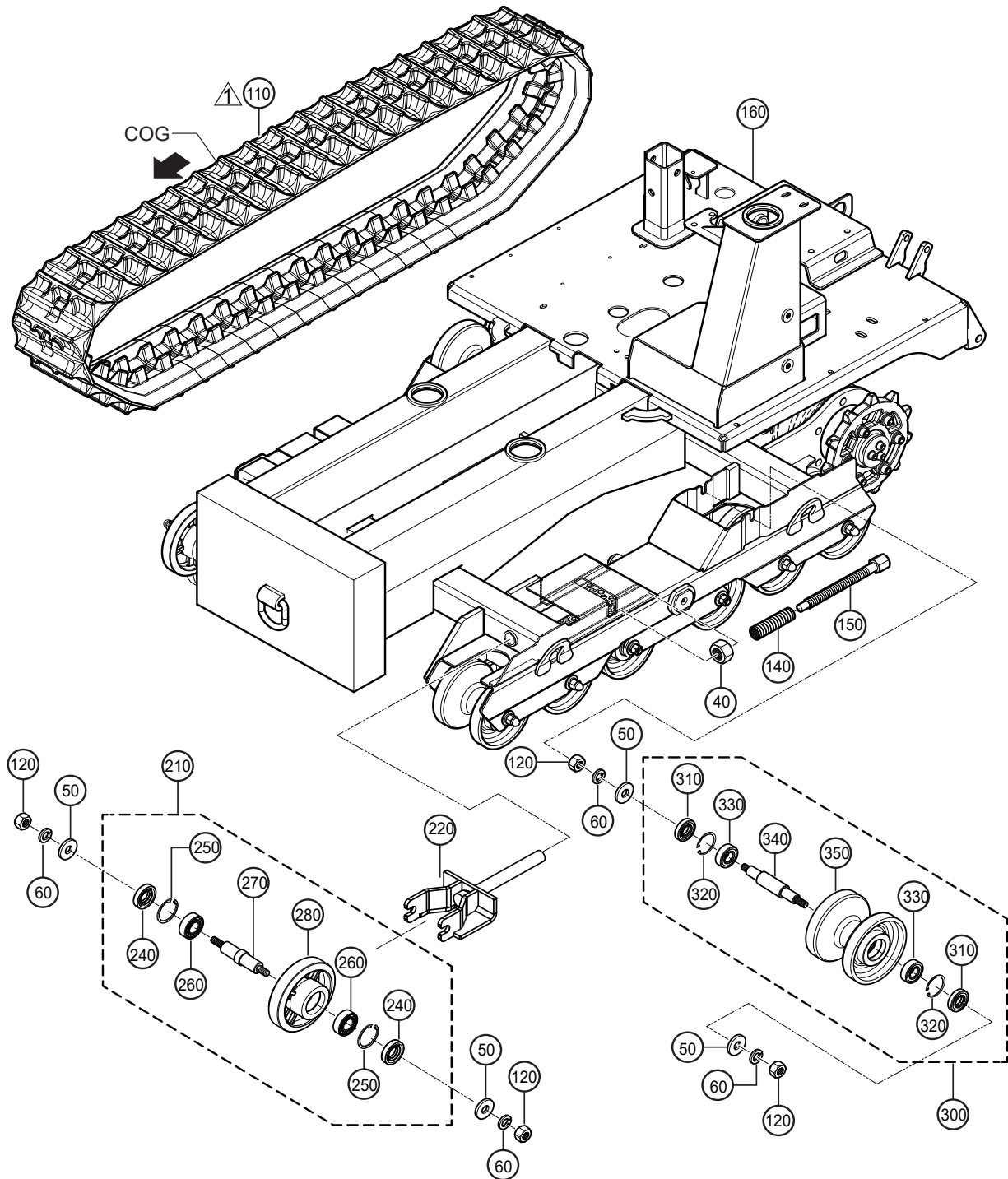


## CAP FILLER BREATHER ASSY.

---

<u>NO.</u>	<u>PART NO.</u>	<u>PART NAME</u>	<u>QTY.</u>	<u>REMARKS</u>
10	3353	CAP, FILLER/BREATHER	1	
60	491160	90° ELBOW 1"	1	
70	491189	NIPPLE 1" NPT C/C GALV.	1	
100	492312	BOLT, 3/8"NC X 1-1/4" G2	4	
150	2105164	NUT, NYLON 5/16-18" .....	2.....	REPLACES P/N 492582
160	EM969013	NUT, NYLON 3/8" NC NYLON G8.....	7.....	REPLACES P/N 492583
180	492595	WASHER, FLAT 1/4"	8	
190	EM923057	WASHER, FLAT 1/4" .....	6.....	REPLACES P/N 492596
200	492597	WASHER, FLAT 3/8"	8	
280	519875	PLUG	1	
350	806542	CLAMP, PUMP SUPPORT, TOP	1	
360	806543	CLAMP, PUMP SUPPORT, BOTTOM	1	
370	806544	SUPPORT BRACKET, PUMP	1	
380	806796	COVER, HYDRAULIC HOSES	1	
390	100078	NUT, M6 NYLOC GRD. 8.8	4	
400	100443	BOLT, M6" X 20"	4	
410	513452	SCREW 3/8 X 1-1/4" NC	2	

# RUBBER TRACK/ROLLER WHEEL ASSY.



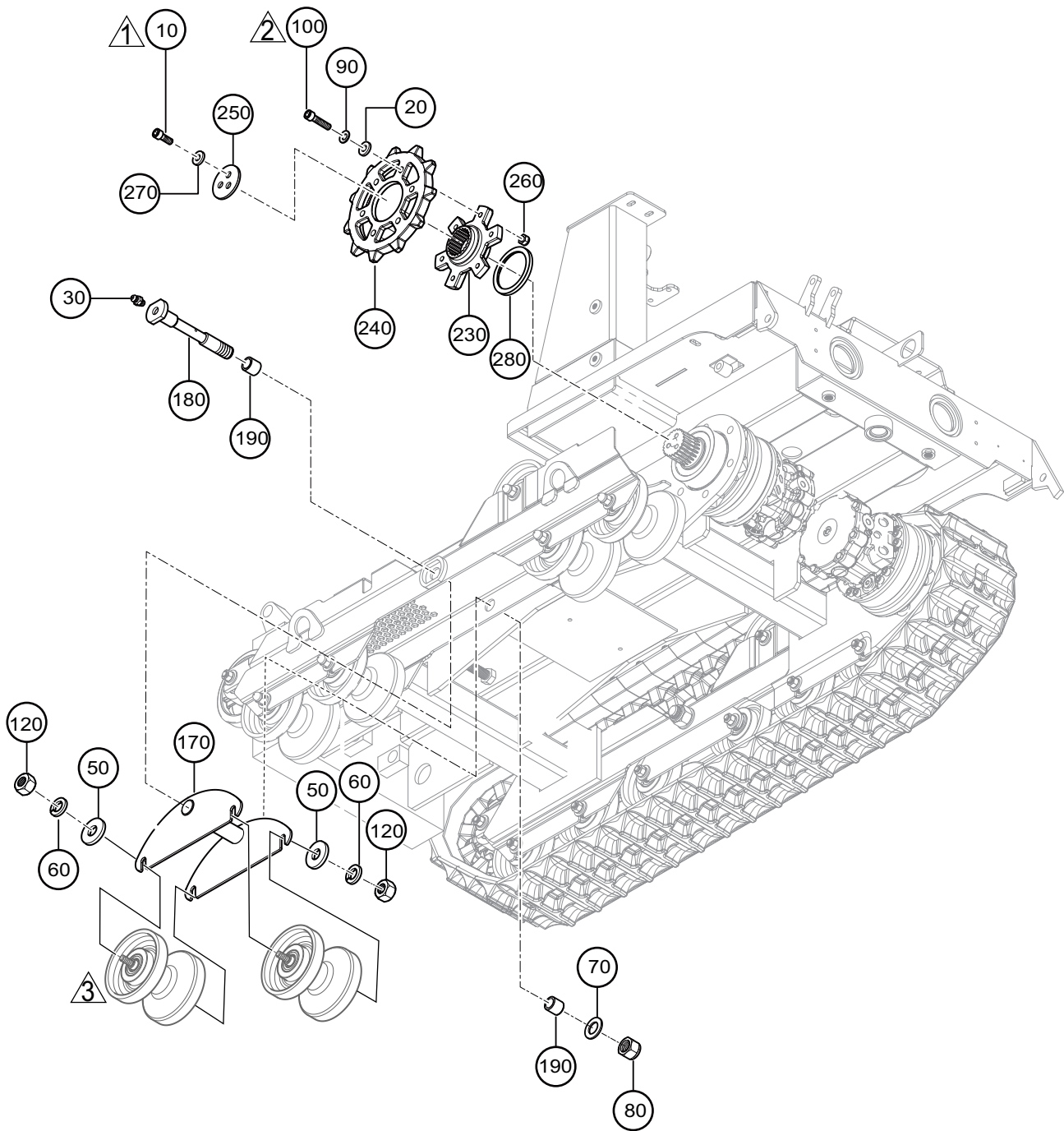
NOTE:

▲ WHEN INSTALLING RUBBER TRACK  
ORIENTATE COGS AS SHOWN.

## **RUBBER TRACK/ROLLER WHEEL ASSY.**

<b>NO.</b>	<b>PART NO.</b>	<b>PART NAME</b>	<b>QTY.</b>	<b>REMARKS</b>
40	492558	JAM NUT 3/4" DIA.	2	
50	506109	WASHER, FLAT 5/8"	24	
60	492627	WASHER, LOCK 5/8" DIA.	24	
110	805929	TRACK, RUBBER	2	
120	492557	NUT, 5/8" HEX NC GRD. 5	24	
140	806016	SLEEVE, ADJUSTMENT BOLT	2	
150	806022	ADJUSTMENT BOLT	2	
160	807909	CHASSIS, FRAME PIVOT DUMP	1	
210	806219	DRIVEN TENSIONER, WHEEL ASSY.....	2	INCLUDES ITEMS W/\$
220	806220	DRIVEN WHEEL BRACKET	2	
240\$	806011	OIL SEAL	2	
250\$	806014	SNAP RING	2	
260\$	806013	BEARING	2	
270\$	805910	SHAFT, DRIVEN WHEEL	1	
280\$	805905	DRIVEN WHEEL	1	
300	806218	ROLLER, WHEEL ASSY.....	14	INCLUDES ITEMS W/#
310#	806010	OIL SEAL	2	
320#	804288	SNAP RING	2	
330#	493296	BEARING	2	
340#	805911	SHAFT, GUIDE WHEEL	1	
350#	805816	GUIDE WHEEL	1	

# SPROCKET/ROLLER WHEEL ASSY.



NOTE:

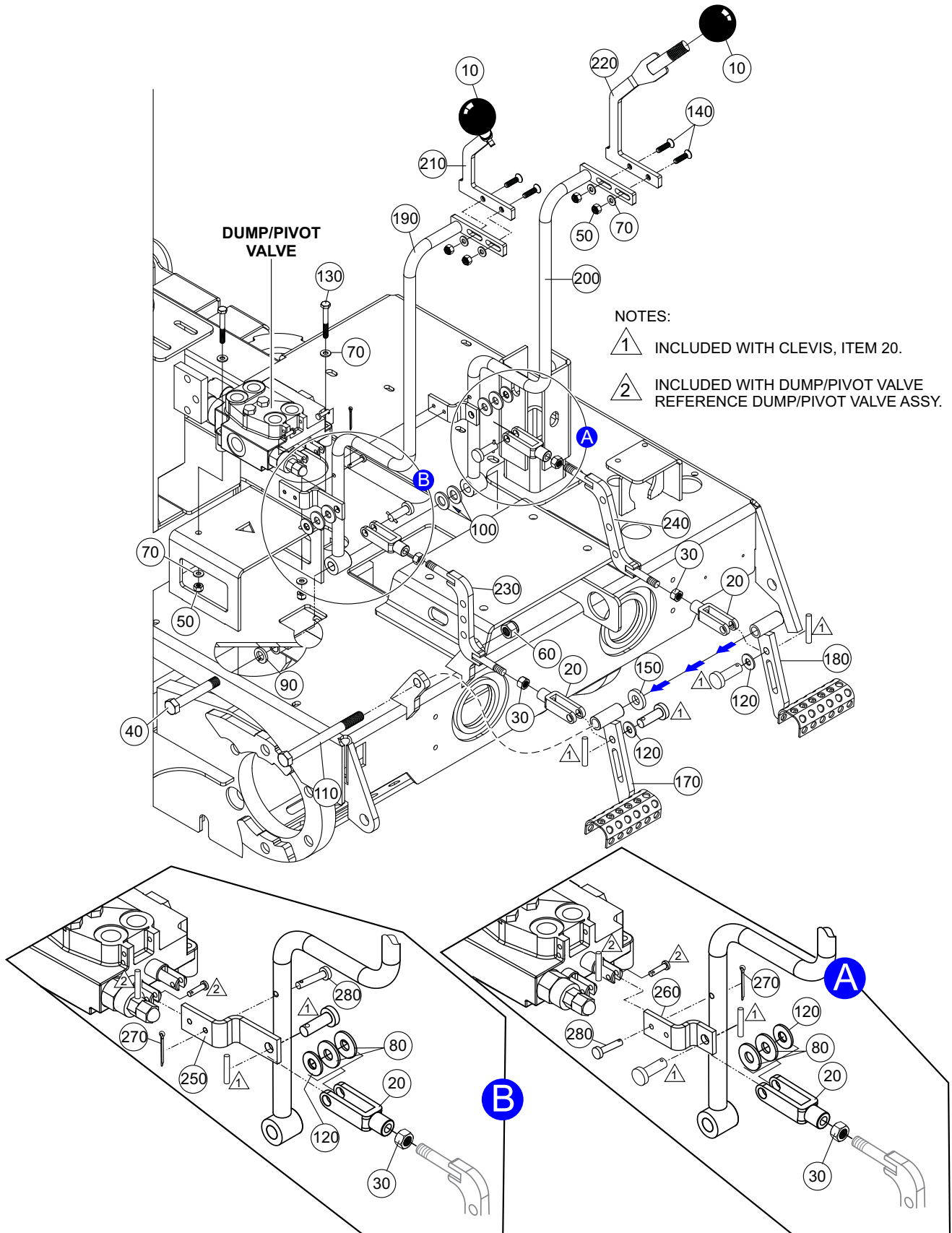
- 1** TORQUE TO 61 LB-FT.
- 2** TORQUE TO 89 LB-FT.
- 3** REFERENCE RUBBER TRACK/ROLLER WHEEL ASSY., ITEM 300

## **SPROCKET/ROLLER WHEEL ASSY.**

---

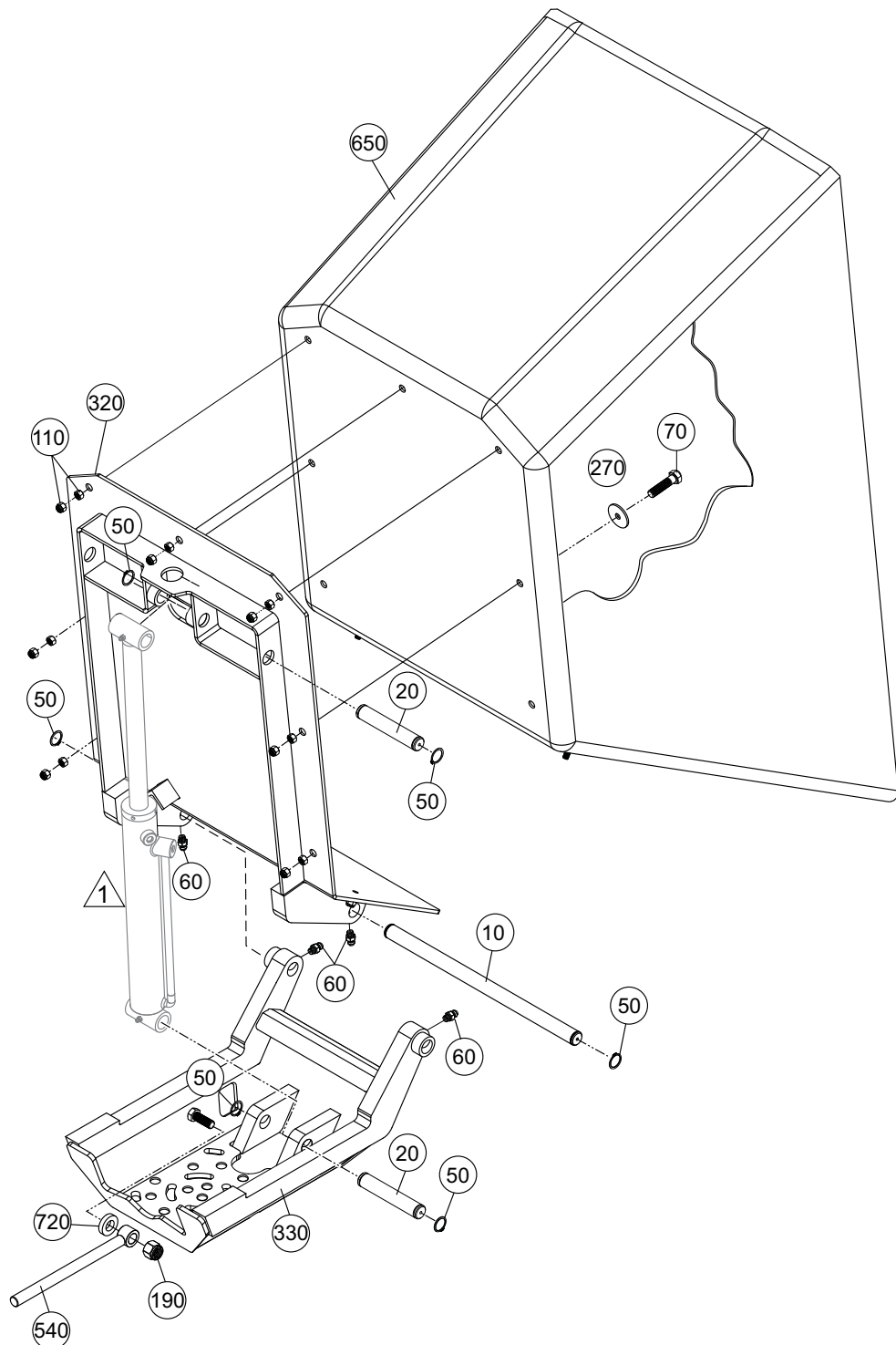
<b><u>NO.</u></b>	<b><u>PART NO.</u></b>	<b><u>PART NAME</u></b>	<b><u>QTY.</u></b>	<b><u>REMARKS</u></b>
10	162	SCREW, M10 X 25	6	
20	EM621	WASHER, 1/2" SPECIAL	12	
30	EM916019	FITTING, GREASE .....	2	REPLACES P/N 491705
50	EM506109	WASHER, FLAT 5/8"	8	
60	EM923348	WASHER, LOCK 5/8" DIA.	8	
70	EM501299	WASHER, FLAT 1"	2	
80	511495	NUT, 1" NYLOC	2	
90	519337	WASHER, LOCK 1/2"	12	
100	801310	SCREW M12 X 50	12	
120	EM968013	NUT, HEX. 5/8 "NC GRD. 5	8	
170	806167	BRACKET, SWIVEL WHEELS	2	
180	806168	SHAFT, SWIVEL WHEELS	2	
190	806169	SPACER	4	
230	806443M	SPROCKET, INNER	2	
240	806444TT	SPROCKET, OUTER	2	
250	806878	COVER, HYDRAULIC MOTOR	2	
260	100081	NUT, M12	12	
270	100518	WASHER, FLAT M10	6	
280	807093	SPACER, SPROCKET	2	

# DUMP/PIVOT PEDALS ASSY.



## DUMP/PIVOT PEDALS ASSY.

<u>NO.</u>	<u>PART NO.</u>	<u>PART NAME</u>	<u>QTY.</u>	<u>REMARKS</u>
10	18121	PLASTIC KNOB, LEVER 5/8" NC	2	
20	18123	CLEVIS ASSY., DUMP VALVE 3/8"	4	
30	490172	HEX NUT 3/8"NF G5	4	
40	492401	HEX HEAD BOLT 1/2"NC X 4" G5	1	
50	492581	NYLON INSERT NUT 1/4"NC G8	6	
60	492584	NYLON INSERT NUT 1/2"NC G5	1	
70	492595	FLAT WASHER 1/4"	8	
80	3019092	FLAT WASHER 3/8".....	4.....	REPLACES P/N 492598
90	6109180	LOCK WASHER 1/2".....	1.....	REPLACES P/N 492626
100	6109170	FLAT WASHER 1/2".....	2.....	REPLACES P/N 504322
110	505492	HEX HEAD BOLT 1/2"NC X 5-1/2" G5	1	
120	EM923023	FLAT WASHER 3/8".....	4.....	REPLACES P/N 505679
130	506088	HEX HEAD BOLT 1/4"NC X 2" G5	2	
140	513312	SOCKET BOLT 1/4"NC X 1" G8.8	4	
150	EM621	FLAT WASHER 1/2", SPECIAL.....	1.....	REPLACES P/N 621
170	807920	PEDAL, PIVOT DRIVE FOOT	1	
180	807921	PEDAL, DUMP DRIVE FOOT	1	
190	808515	PIVOT ROD COMPLEMENT	1	
200	808517	DUMP TUBE ROD COMPLEMENT	1	
210	808513	PIVOT LEVER	1	
220	808512	DUMP LEVER	1	
230	808048	PIVOT DRIVE ROD LINK	1	
240	808050	DUMP DRIVE ROD LINK	1	
250	808051	PIVOT MECHANISM LINK	1	
260	808052	DUMP MECHANISM LINK	1	
270	509074	COTTER PIN, 3/32" X 1"	2	
280	808266	PIN, DUMP CONTROL LEVER	2	



NOTES:

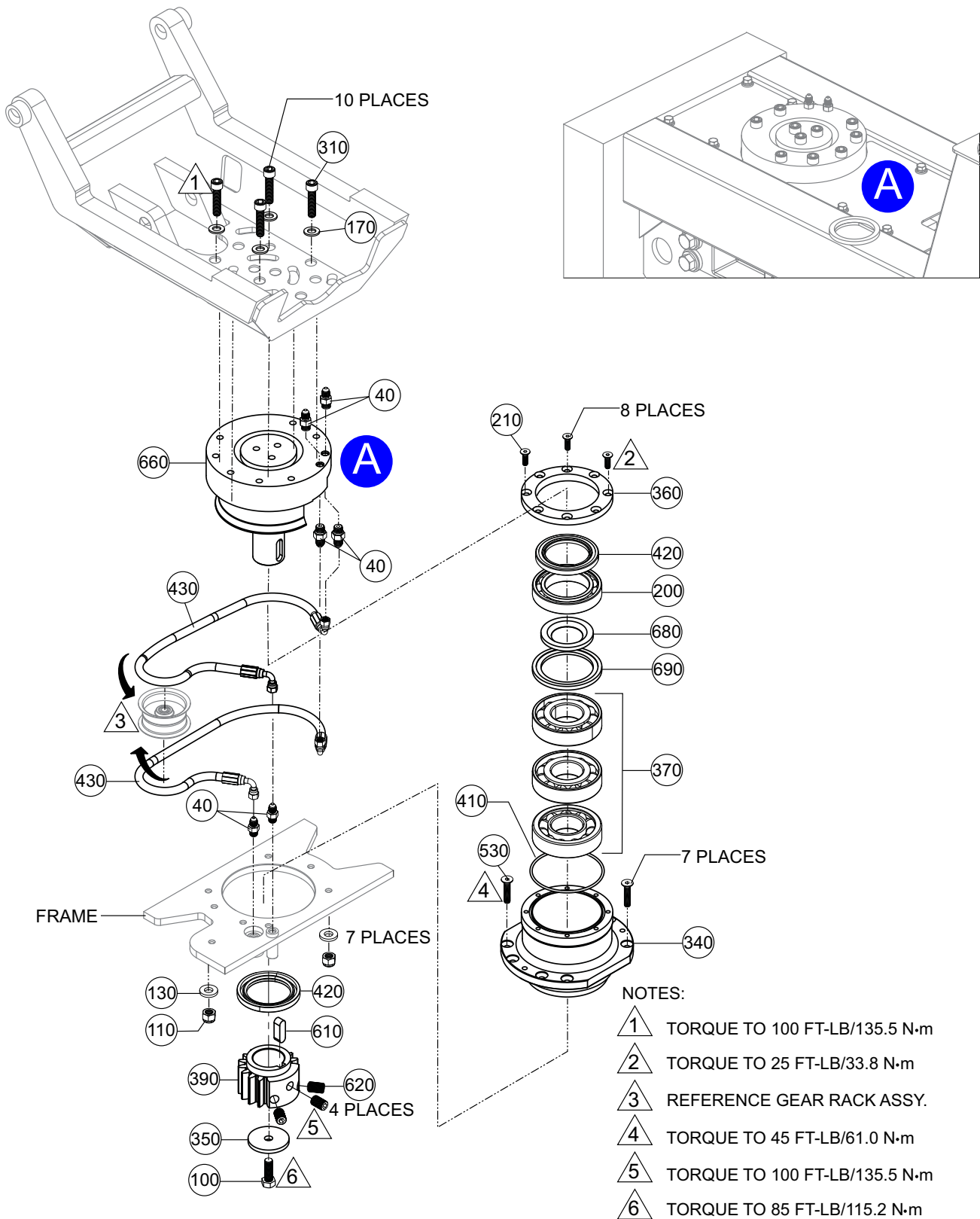
1 REFERENCE DUMP/PIVOT CYLINDER ASSY.

## TUB ASSY.

---

<u>NO.</u>	<u>PART NO.</u>	<u>PART NAME</u>	<u>QTY.</u>	<u>REMARKS</u>
10	18129	PIN, TUB FRAME CROSS, GALV.	1	
20	18130	PIN, HOPPER DUMP CYLINDER, GALV.	2	
50	JISB2804C25	RETAINING RING.....	6.....	REPLACES P/N 490957
60	EM916019	GREASE FITTING 1/4"NF.....	4.....	REPLACES P/N 491705
70	EM963057	HEX HEAD BOLT 3/8"NC X 1-1/2" G5.....	9.....	REPLACES P/N 492313
110	EM969013	NUT, NYLOK 3/8" NC G8.....	16.....	REPLACES P/N 492583
190	505069	NUT, NYLOK 3/4"NC G8	1	
270	512193	FLAT WASHER 7/16"	9	
320	CIP807922	PLATFORM, POLY TUB	1	
330	807932	PIVOT, FRAME	1	
540	808222	SAFETY LEVER	1	
650	808271	TUB, POLY. 16 CU FT.	1	
720	EM619	FLAT WASHER 3/4"	1	

# PIVOT ASSY.

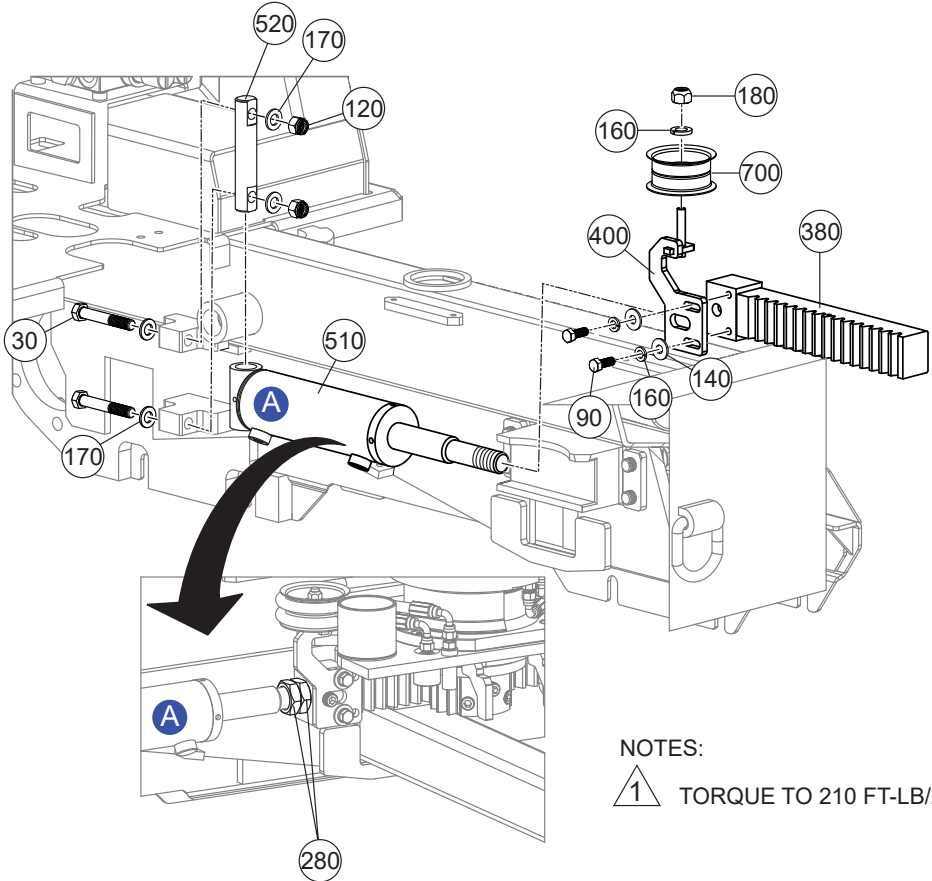
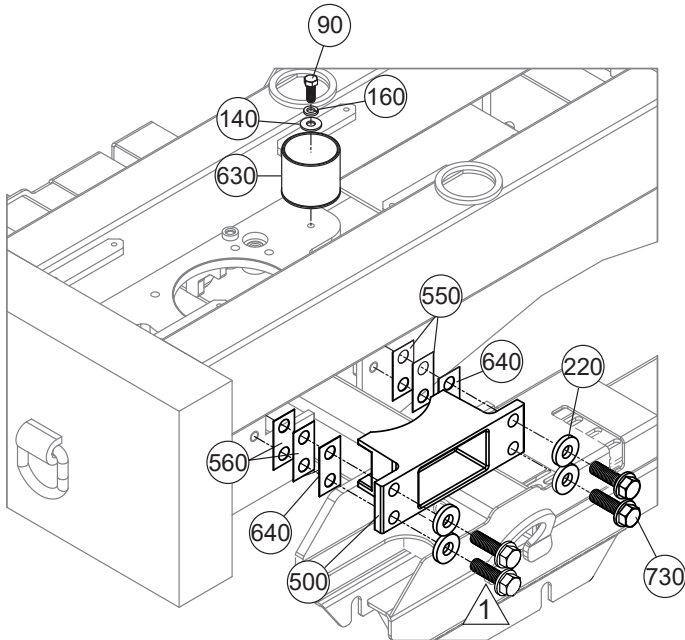


## PIVOT ASSY.

---

<u>NO.</u>	<u>PART NO.</u>	<u>PART NAME</u>	<u>QTY.</u>	<u>REMARKS</u>
40	EM25511	FITTING, STRAIGHT 4F5X-S	6	
100	EM492455	HEX HEAD SCREW 1/2"NF X 1-1/2" G5 .....	1.....	REPLACES P/N 492455
110	EM969013	NUT, NYLOK 3/8" NC G8.....	16.....	REPLACES P/N 492583
130	3019092	WASHER, FLAT 3/8".....	7.....	REPLACES P/N 506488
170	6109170	WASHER, FLAT 1/2".....	14.....	REPLACES P/N 504322
200	506147	BEARING	1	
210	506176	BOLT 5/16"-18NC X1" G8.8	8	
310	801310	SOCKET HEAD BOLT,M12 X 50	10	
340	807967	BEARING DISK SUPPORT	1	
350	807975	WASHER	1	
360	808030	BEARING DISK COVER	1	
370	808032	BEARING BALL 7310	3	
390	808056R	GEAR, PINION	1	
410	808109	O-RING	1	
420	808113	SEAL, SHAFT RADIAL	2	
430	808116	HOSE, JOINT CYLINDER-VALVE	2	
530	808174	SOCKET BOLT 3/8"NC X 1-3/4" G8	7	
610	808263	KEY, ROUNDED 1/2" X 1/2" X 1-5/8"	1	
620	808265	SET SCREW, 5/8"NF X 1" G8.8	4	
660	808434	AXIS, PIVOT DUMP	1	
680	808453	BEARING, INNER SEPARATOR	1	
690	808455	BEARING, EXTERNAL SEPARATOR	1	

# GEAR RACK ASSY.

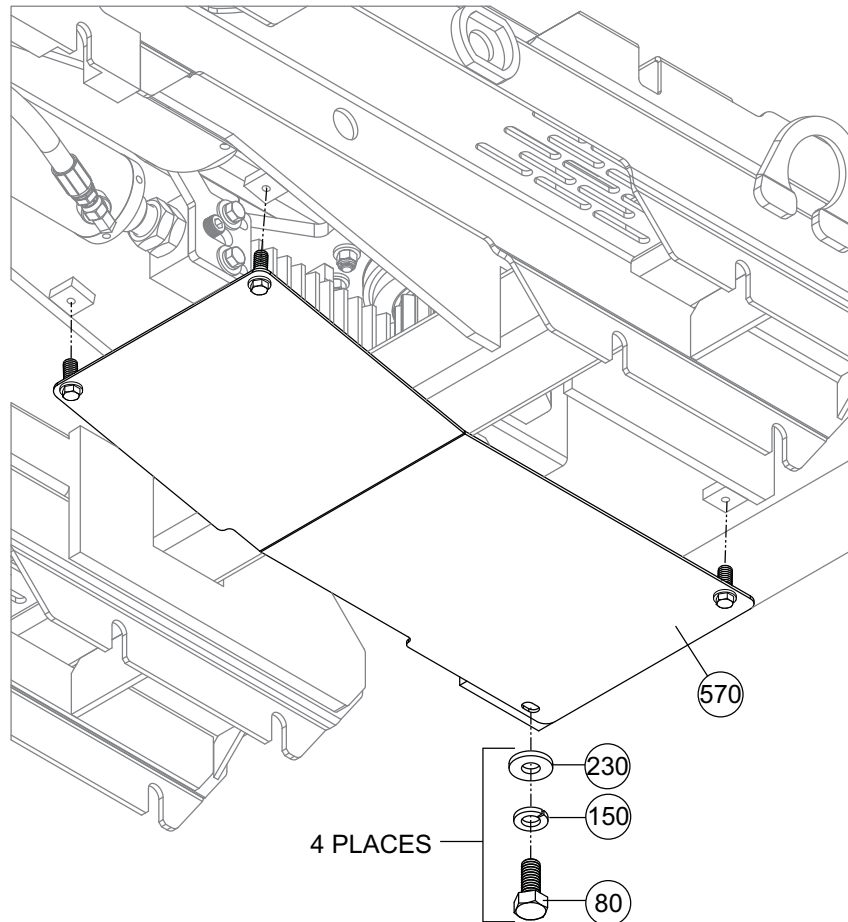
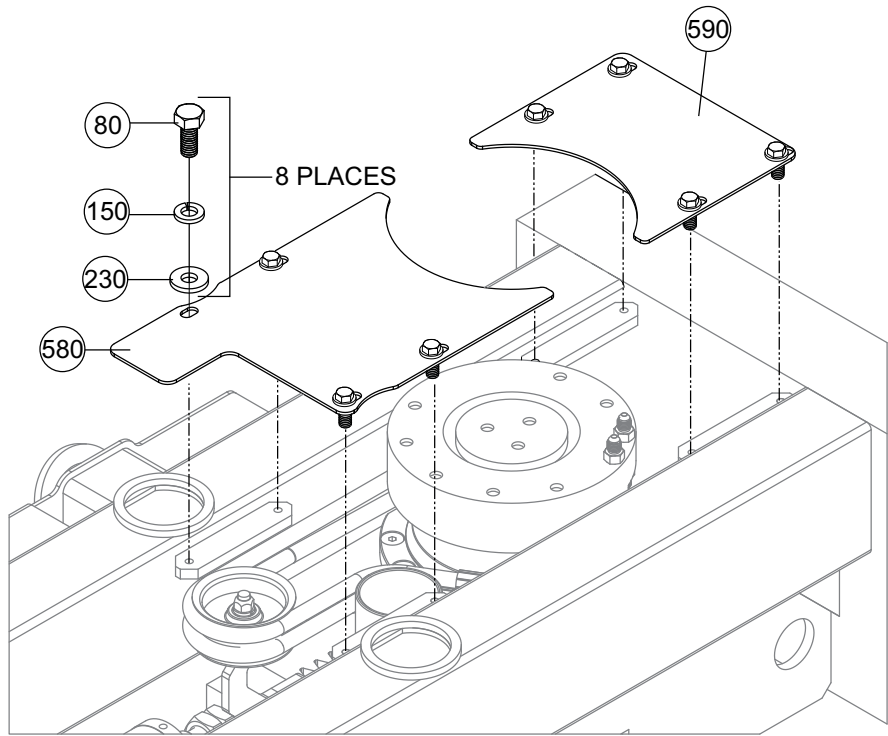


NOTES:  
 1 TORQUE TO 210 FT-LB/284.7 N-m

## GEAR RACK ASSY.

<u>NO.</u>	<u>PART NO.</u>	<u>PART NAME</u>	<u>QTY.</u>	<u>REMARKS</u>
30	EM210	HEX HEAD BOLT, 1/2-13 X 3-1/4 G5	2	
90	EM963610	HEX HEAD BOLT 3/8"NC X 1" G5.....	3.....	REPLACES P/N 492375
120	492584	NUT, NYLOK 1/2"NC G5	2	
140	3019092	WASHER, FLAT 3/8".....	3.....	REPLACES P/N 492598
160	0166 A	WASHER, LOCK 3/8".....	4.....	REPLACES P/N 492624
170	6109170	WASHER, FLAT 1/2".....	14.....	REPLACES P/N 504322
180	EM969012	SELF LOCKING HEX NUT 3/8".....	1.....	REPLACES P/N 505066
220	507599	FLAT WASHER 5/8"	4	
280	515249	NUT, JAM 1"-14	2	
380	808055TT	GEAR RACK	1	
400	808098	SUPPORT, PULLEY TENSION	1	
500	808148TT	GEAR RACK GUIDE	1	
510	808150	CYLINDER, PIVOT	1	
520	808171	RACK CYLINDER BOLT	1	
550	808251	SHIM, 0.01"	2	
560	808252	SHIM, 0.02"	2	
630	808268	HOSE GUIDE CYLINDER	1	
640	808270	SHIM, 0.9 MM	2	
700	EM901515	PULLEY, IDLER	1	
730	TK31C1032J	FLANGED HEX HD. BOLT 5/8"NC X 2" G8.8	4	

# PROTECTIVE COVERS ASSY.



## PROTECTIVE COVERS ASSY.

---

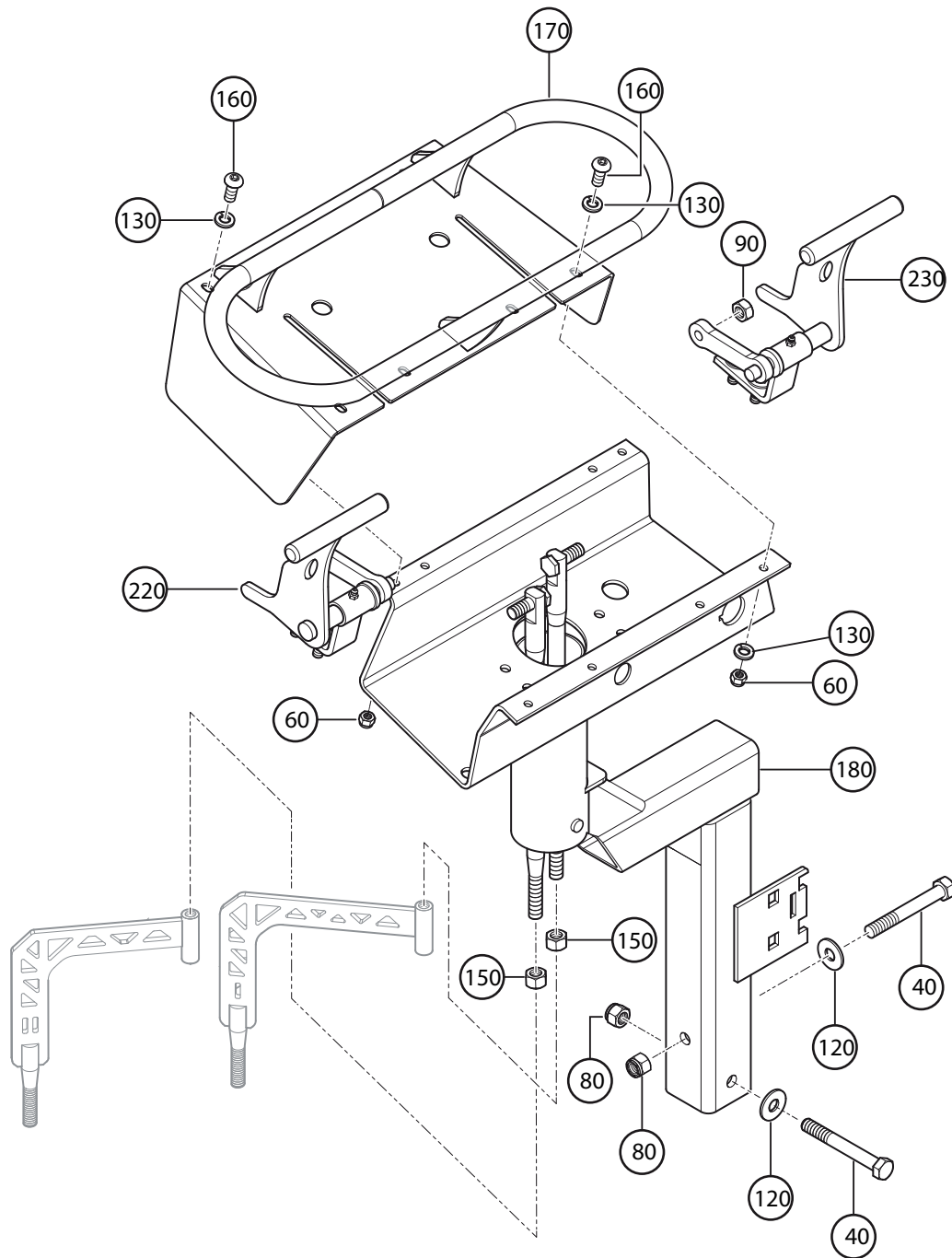
<u>NO.</u>	<u>PART NO.</u>	<u>PART NAME</u>	<u>QTY.</u>	<u>REMARKS</u>
80	492363	HEX HEAD BOLT 5/16"NC X 3/4" G5	12	
150	EM923343	WASHER, LOCK 5/16" .....	12.....	REPLACES P/N 492623
230	509161	WASHER, FLAT 5/16"	12	
570	808253	BOTTOM COVER	1	
580	808254	TOP FRONT COVER	1	
590	808255	UPPER BACK COVER	1	



## DUMP/PIVOT CYLINDERS ASSY.

<u>NO.</u>	<u>PART NO.</u>	<u>PART NAME</u>	<u>QTY.</u>	<u>REMARKS</u>
25	491705	FITTING, ZERK	4	
40	EM25511	FITTING, STRAIGHT 4F5X-S	6	
160	807919	DIRECTIONAL CTRL. VALVE, 2 SPOOLS	1	
240	511803	FITTING, 90° ELBOW 6-4 C5OX-S	2	
250	511804	FITTING, 90° ELBOW 6-8 C5OX-S	2	
260	808437	FITTING, STRAIGHT 6-8 F5OX-S	2	
290	519278	FITTING, STRAIGHT 6-4 F5OX-S	2	
300	519967	FITTING, 90° ELBOW 6 C6X-S	3	
430	808116	HOSE, JOINT CYLINDER-VALVE	2	
440	808117	HOSE, RETURN DUMP CYLINDER	1	
450	808118	HOSE EXT. DUMP CYLINDER	1	
460	808119	HOSE RETURN RACK CYLINDER	1	
470	808120	HOSE VALVE CHASSIS-EXT.	1	
480	CIP808121	HOSE EXT. RACK CYLINDER	1	
490	808122	HOSE VALVE CHASSIS-RETURN	1	
510	808150	HYDRAULIC CYLINDER, PIVOT	1	
510A	808150SK	SEAL KIT, PIVOT CYLINDER	1	
600	808262	HYDRAULIC CYLINDER, DUMP	1	
610A	18022SK	SEAL KIT, DUMP CYLINDER	1	
670	808436	SET SCREW, 1/32" DIA, EXT. 3/8"	2	
710	EM25429	FITTING 90° ELBOW 4 C5OX-S	2	
740	513614	SPIRAL VINYL, 12 IN. (304 MM) .....	1.....	1 PC. = 1 FT.

# STEERING ASSY.

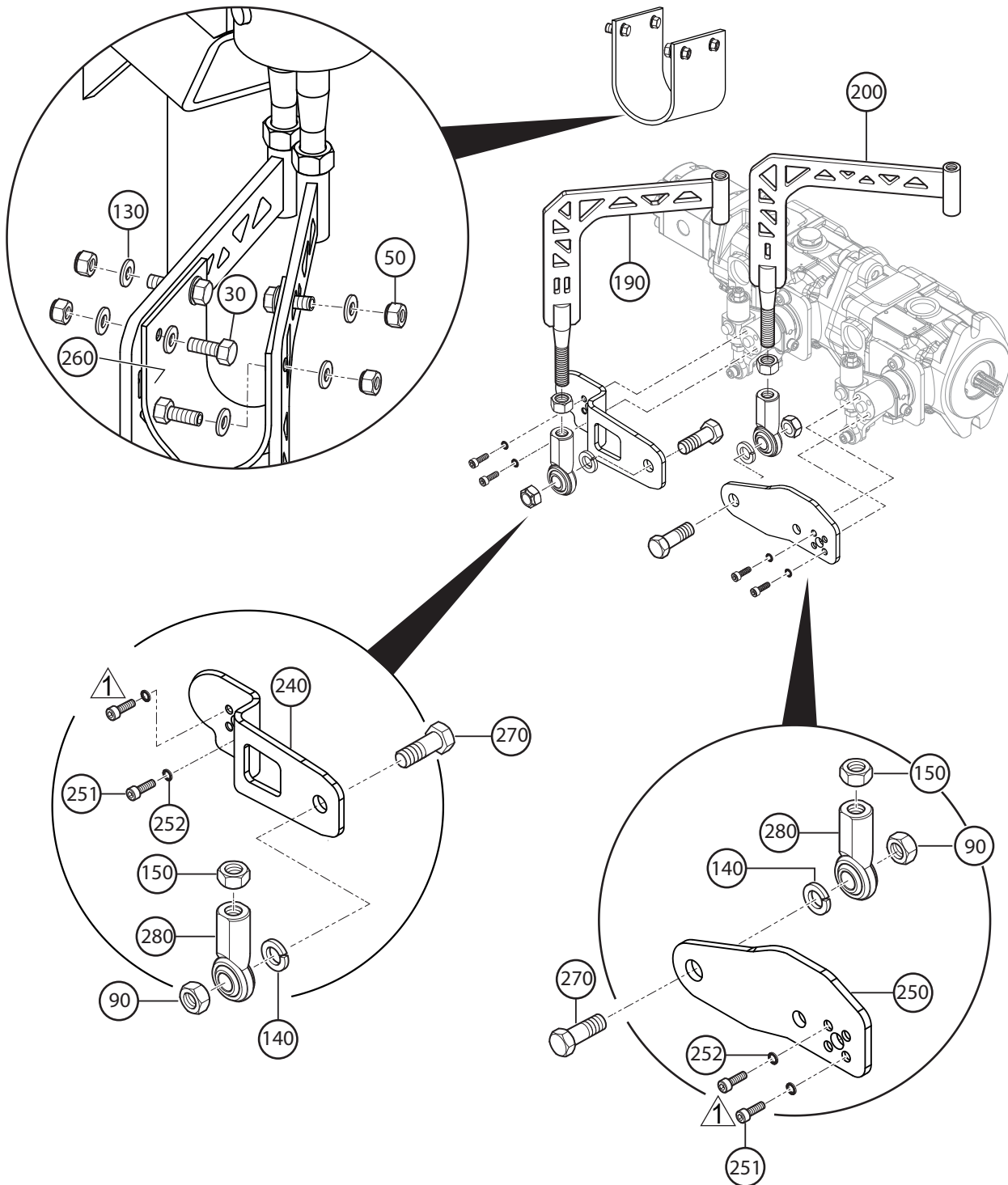


## STEERING ASSY.

---

<u>NO.</u>	<u>PART NO.</u>	<u>PART NAME</u>	<u>QTY.</u>	<u>REMARKS</u>
40	492401	BOLT, 1/2" DIA. X 4" NC GRD 5	2	
60	2105164	NUT, NYLOC 5/16"-18 .....	8.....	REPLACES P/N 492582
80	492584	NUT, NYLOC 1/2"-13	2	
90	504723	NUT, 1/2" NC GRD 8	4	
120	492599	WASHER, FLAT 1/2"	2	
130	EM923057	WASHER, FLAT 1/4"	8	
150	492589	NUT, HEX 1/2" NF GRD. 5.....	4.....	REPLACES P/N 507661
160	521542	SCREW, 5/16" X 3/4" NC GRD. 5	8	
170	806562	HANDLE PLATFORM	1	
180	806595	MAIN SUPPORT, CONTROLS	1	
220	806614	STEERING LEVER, RIGHT	1	
230	806615	STEERING LEVER, LEFT	1	

# PUMP CONTROL RODS ASSY.



NOTE:

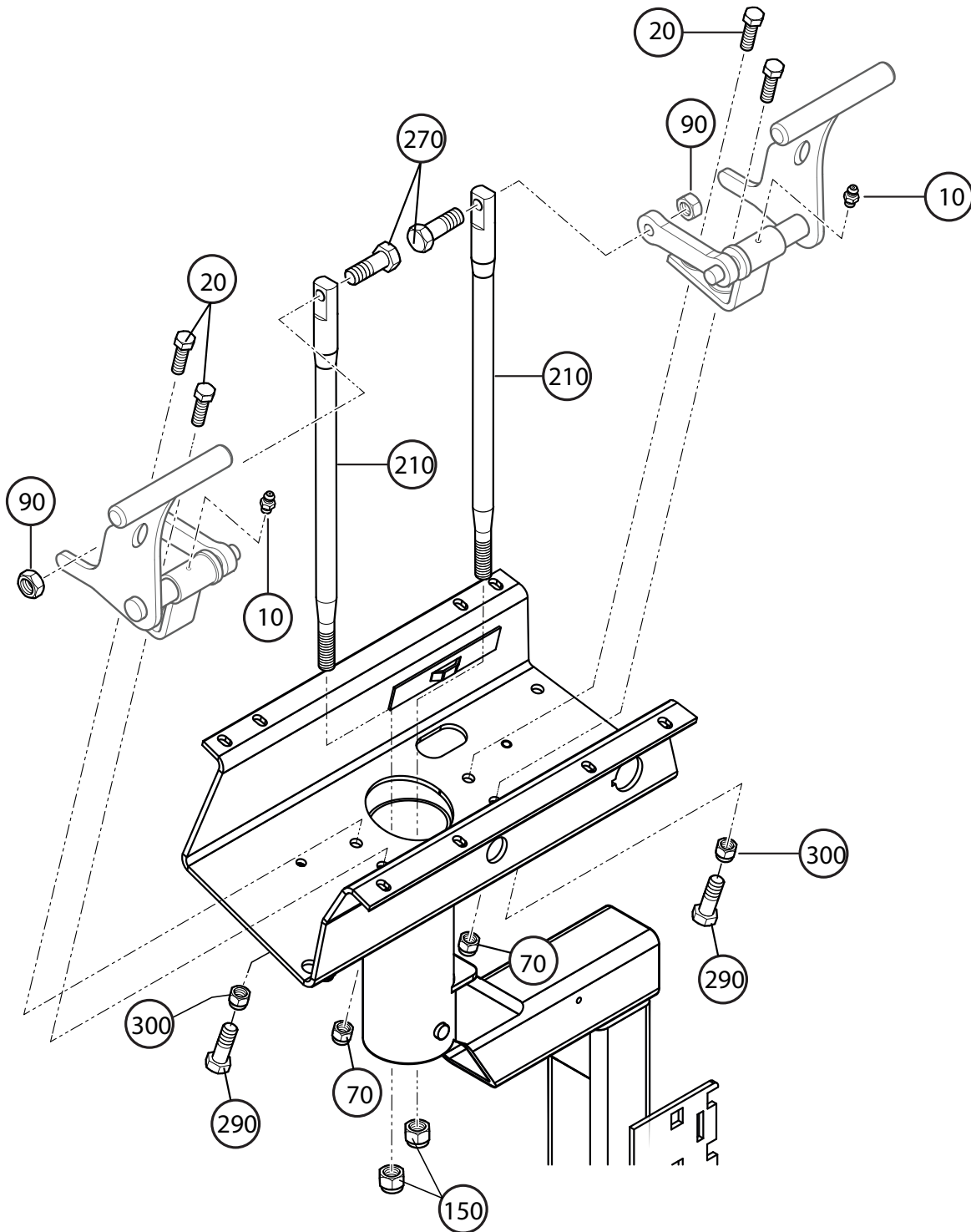
 TORQUE TO 13 LB-FT.

## PUMP CONTROL RODS ASSY.

---

<u>NO.</u>	<u>PART NO.</u>	<u>PART NAME</u>	<u>QTY.</u>	<u>REMARKS</u>
30	492357	BOLT, 1/4" X 1 NC GRD 5	4	
50	492581	NUT, NYLOC 1/4"-20	4	
90	504723	NUT, 1/2" NC GRD 8	4	
130	492596	WASHER, FLAT 5/16"	8	
140	6109180	WASHER, LOCK 1/2" DIA. ....	2.....	REPLACES P/N 492626
150	492589	NUT, HEX 1/2" NF.....	4.....	REPLACES P/N 507661
190	806601	90° CONTROL ROD, RIGHT	1	
200	806605	90° CONTROL ROD, LEFT	1	
240	807360	LEVER, PUMP 2	1	
250	807359	LEVER, PUMP 1	1	
251	807654J	ALLEN HEAD BOLT M16X16 G12.9	16	
252	807655J	WAVE WASHER #10-6.401MM	16	
260	806798	RUBBER CONTROL ROD DAMPNER	1	
270	806852	SCREW, SPECIAL 1/2" X 1-1/2" NC	4	
280	806853	ROD, END 1/2" NF	2	

# CONTROL RODS STEERING LEVERS ASSY.

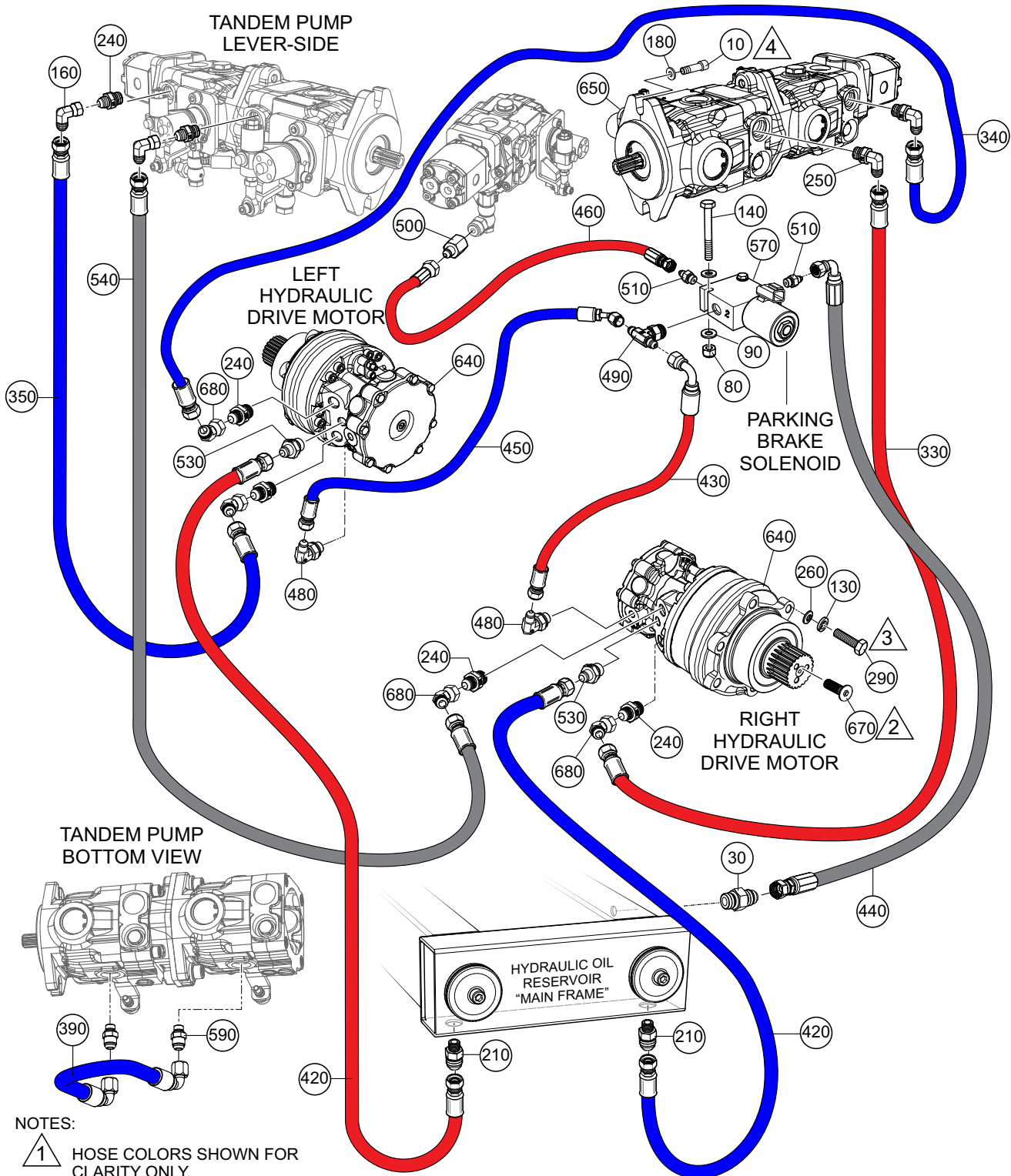


## **CONTROL RODS STEERING LEVERS ASSY.**

---

<b><u>NO.</u></b>	<b><u>PART NO.</u></b>	<b><u>PART NAME</u></b>	<b><u>QTY.</u></b>	<b><u>REMARKS</u></b>
10	EM916019	FITTING, GREASE .....	2.....	REPLACES P/N 491705
20	492313	BOLT, 3/8" X 1-1/2" NC GRD 5	4	
70	EM969013	NUT, NYLOC 3/8" .....	4.....	REPLACES P/N 492583
90	504723	NUT, 1/2" DIA.	4	
150	492589	NUT, HEX 1/2" NF.....	4.....	REPLACES P/N 507661
210	806607	CONTROL RODS, STEERING LEVERS	2	
270	806852	SCREW, SPECIAL 1/2" X 1-1/2" NC	4	
290	492365	BOLT 5/16" 1X1-1/4" GRD. 5	2	
300	492541	NUT, HEX 5/16" NC GRD. 2	2	

# HYDRAULIC DRIVE MOTOR ASSY.



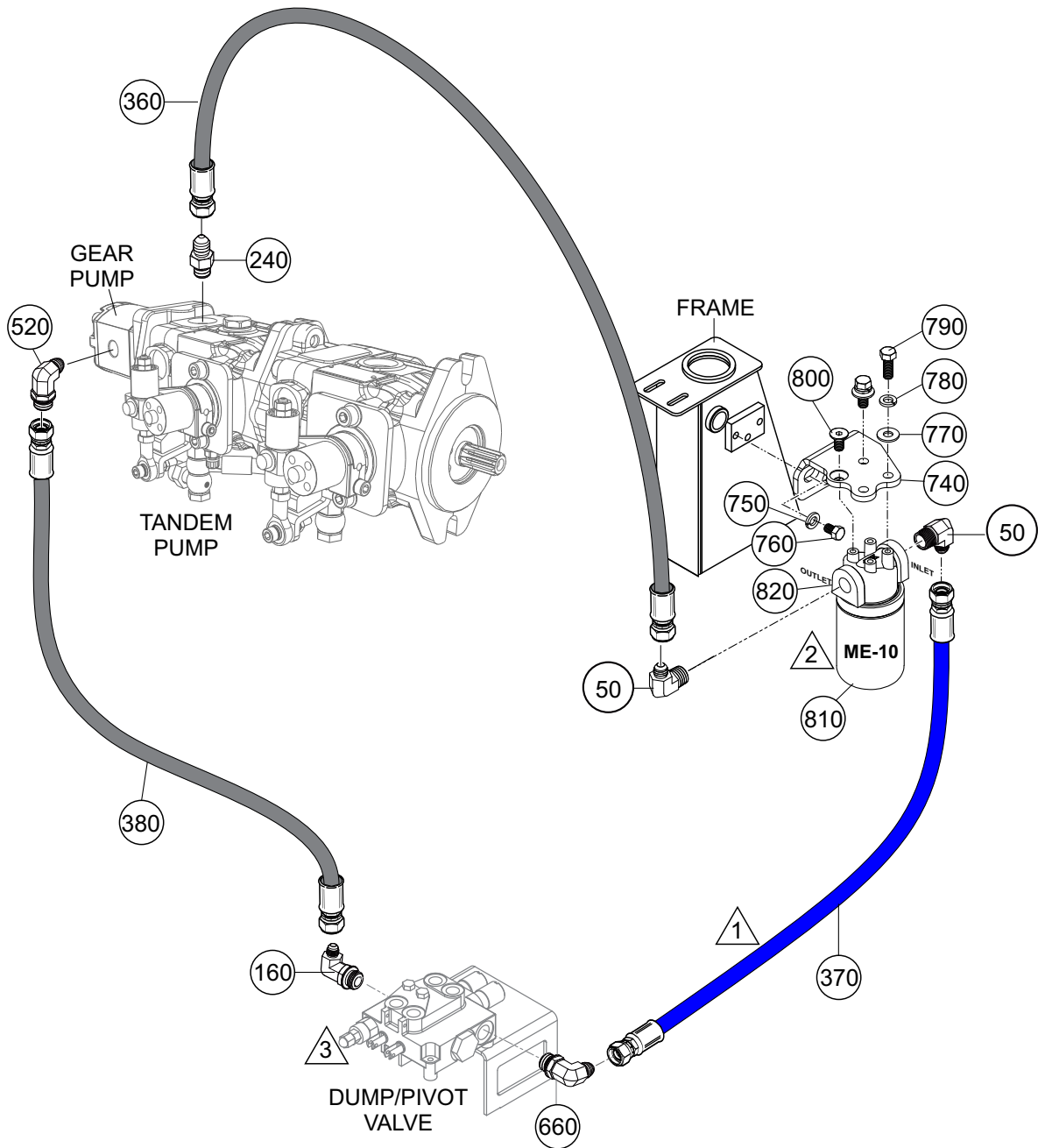
**NOTES:**

- 1 HOSE COLORS SHOWN FOR CLARITY ONLY.
- 2 TORQUE TO 150 LB-FT
- 3 TORQUE TO 218 LB-FT
- 4 TORQUE TO 20 LB-FT

## HYDRAULIC DRIVE MOTOR ASSY.

<u>NO.</u>	<u>PART NO.</u>	<u>PART NAME</u>	<u>QTY.</u>	<u>REMARKS</u>
10	EM175	SCREW, 3/8"X 1-1/4" NC G5	2	
30	EM25511	FITTING, STRAIGHT 4 F5OX-S	1	
80	492581	NUT, NYLOC 1/4"-20	4	
90	492595	WASHER, FLAT 1/4"	4	
130	EM923348	WASHER, LOCK 5/8".....	10.....	REPLACES P/N 492627
140	506088	SCREW, HHC 1/4"-20 X 3/8"	2	
160	506195	90° ELBOW, 8 C6X-S	2	
180	3019092	WASHER, FLAT 3/8".....	2.....	REPLACES P/N 508346
210	511808	STRAIGHT FITTING 6 F5OX-S	2	
240	518821	FITTING, STRAIGHT 8-8 F42EDMX-S	6	
250	518822	90° ELBOW 8-8 C4OMX-S	2	
260	506109	WASHER, LOCK 5/8"	10	
290	521537	SCREW, M16 X 60	10	
330	806053	HOSE, HYD., PUMP 1 TO DRIVE MOTOR	1	
340	806055	HOSE, HYD., PUMP 2 TO DRIVE MOTOR	1	
350	806056	HOSE, HYD., GEAR PUMP TO DRIVE MOTOR.....	1.....	S/N 190411 AND BELOW
350	807558	HOSE, HYD., GEAR PUMP TO DRIVE MOTOR (LONG).....	1.....	S/N 190412 AND ABOVE
390	806084	HOSE, HYD., PUMP PORTS T11-T12	1	
420	806087	HOSE, HYD., DRV. MTR. TO HYD. RESERVOIR	2	
430	806088	HOSE, HYD., PARK BRK. SOL. TO RT. DRIVE MOTOR	1	
440	806089	HOSE, HYD., PARKING BRK. SOL. TO HYD. RESERVOIR	1	
450	806090	HOSE, HYD., PARK. BRK. SOL. TO LFT. DRIVE MOTOR	1	
460	806091	HOSE, HYD., PARK. BRK. SOL. TO PUMP	1	
480	806095	90° ELBOW 4-4 C4OMXS	2	
490	806096	TEE FITTING 4-4-6 S5OX-S	1	
500	806097	ADAPTER, STRAIGHT 4-4G4MXS	1	
510	806098	ADAPTER, STRAIGHT 4-6F5OX-S	2	
530	806101	ADAPTER, STRAIGHT 6-6 F42EDMX-S	2	
540	806102	HOSE, HYD., PUMP 1 TO RIGHT DRIVE MOTOR	1	
570	806527	SOLENOID, BRAKE	1	
590	806547	STRAIGHT FITTING 10-6 F42EDMX-S	2	
640	806794	HYDRAULIC MOTOR	2	
650	807657	TANDEM HYDRAULIC PUMP	1	
670	806998	SCREW, M16 X 50	2	
680	506200	45° ELBOW 8 V6X-S	4	

# HYDRAULIC OIL FILTER ASSY.



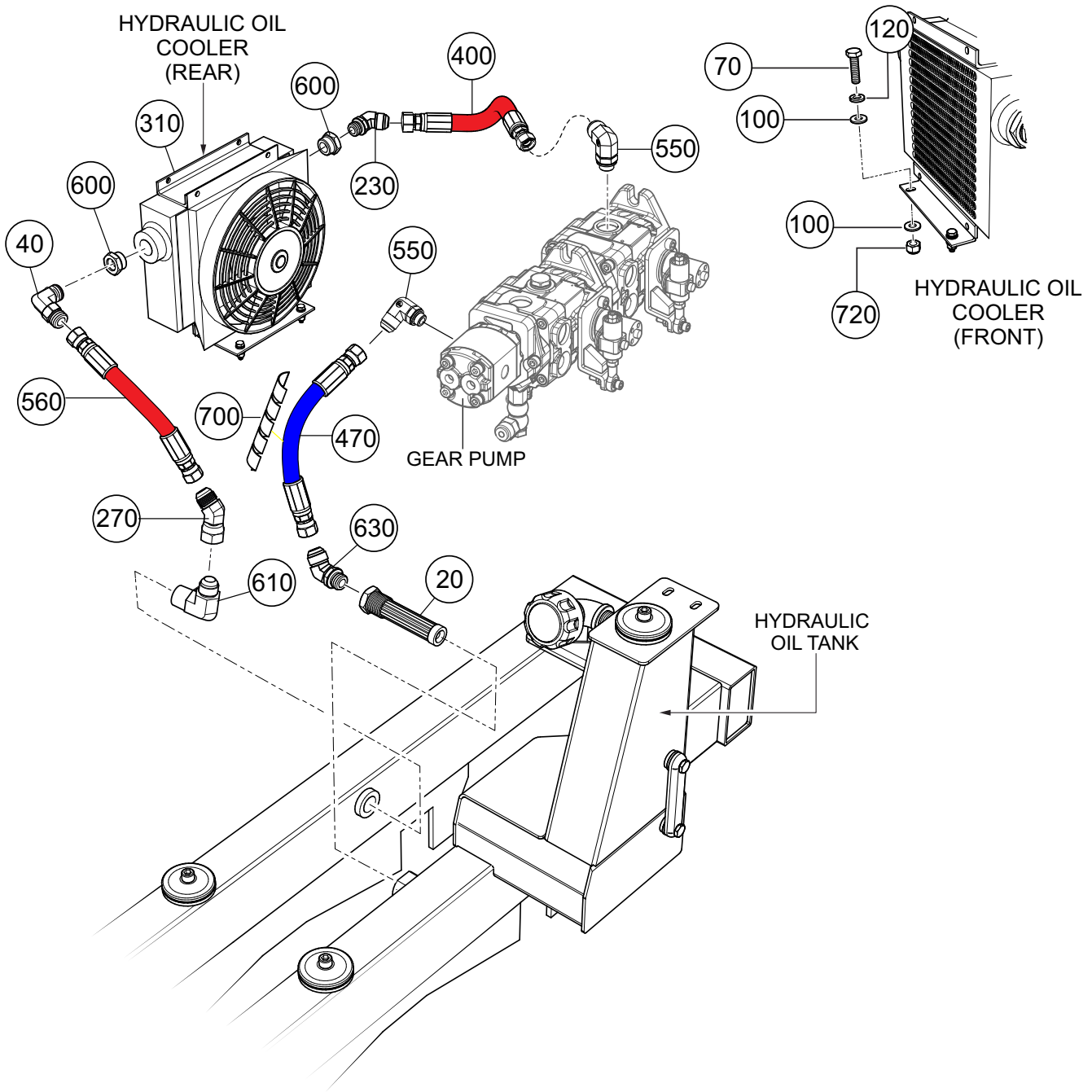
NOTES:

- 1 HOSE COLORS SHOWN FOR CLARITY ONLY.
- 2 TORQUE TO 30 FT-LB/40.6 N·m
- 3 REFERENCE DUMP/PIVOT CYLINDERS ASSY.

## HYDRAULIC OIL FILTER ASSY.

<u>NO.</u>	<u>PART NO.</u>	<u>PART NAME</u>	<u>QTY.</u>	<u>REMARKS</u>
50	491375	90° ELBOW 8-12 CTX-S	2	
160	506191	90° ELBOW, 6-10 C5OX-S	2	
240	518821	FITTING, STRAIGHT 8-8 F42EDMX-S	1	
360	806057	HOSE, HYD., OIL FILTER (OUTLET) TO PUMP	1	
370	806058	HOSE, HYD., OIL FILTER (INLET) TO DUMP VALVE	1	
380	806083	HOSE, HYD., DUMP VALVE TO GEAR PUMP	1	
520	806100	90° ELBOW 6-6C4OMX-S	1	
660	EM16524	90° ELBOW 8-10 C5OX-S	1	
740	807635	FILTER HEAD SUPPORT	1	
750	492626	LOCK WASHER 1/2" G. (CAD,2D)	3	
760	504456	HEX HEAD BOLT 1/2"NC X 3/4" G5	3	
770	492597	FLAT WASHER 3/8"	3	
780	492624	LOCK WASHER 3/8"	3	
790	492375	HEX HEAD BOLT 3/8"NC X 1" G5	3	
800	807641	FLAT HEAD BOLT 3/8" X 3/4" NC G5	1	
810	807605	FILTER, SPIN-ON, ZINGA ME-10	1	
820	807604	DHF SERIES SPIN-ON FILTER HEAD	1	

# HYDRAULIC OIL COOLER ASSY.



## HYDRAULIC OIL COOLER ASSY.

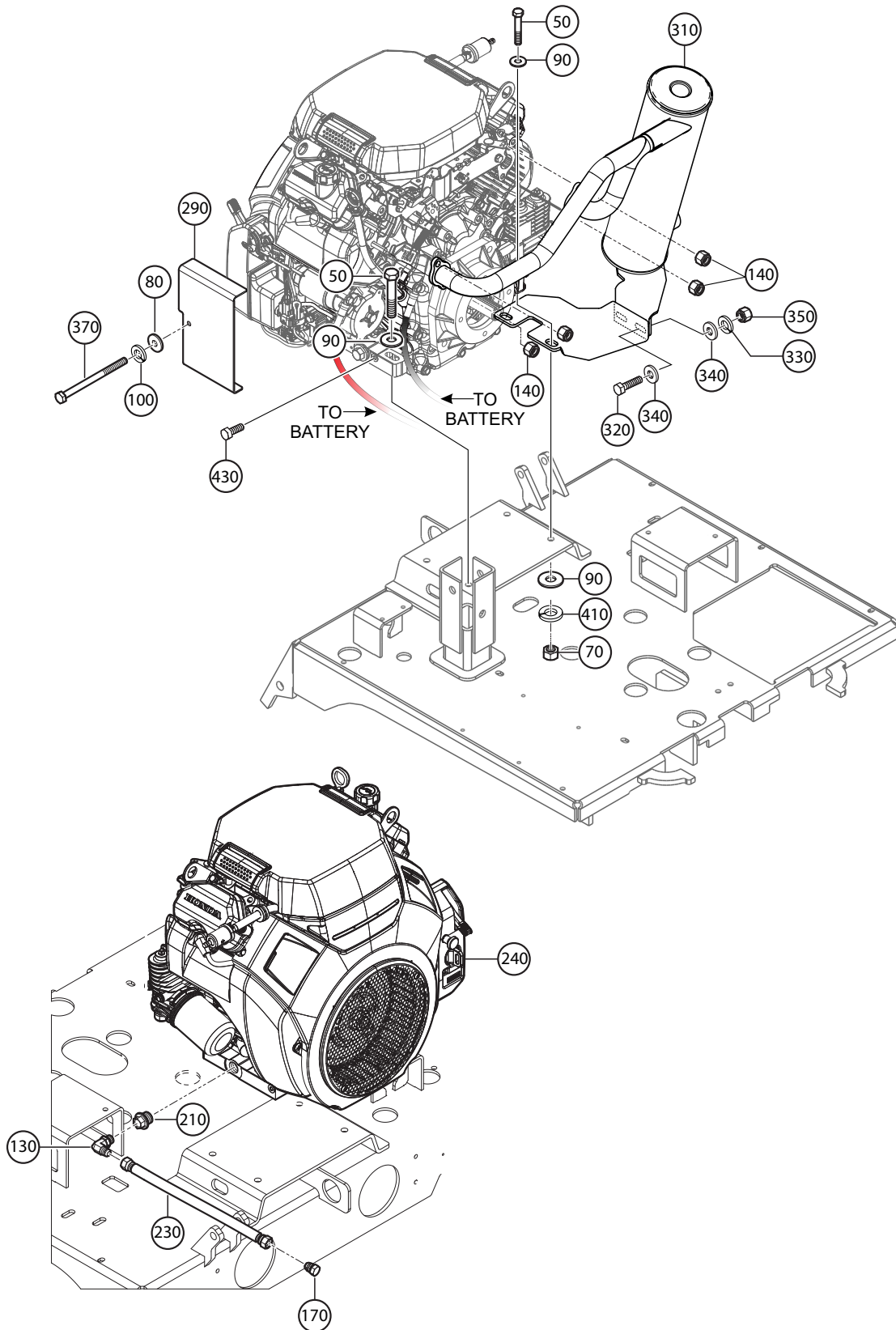
<u>NO.</u>	<u>PART NO.</u>	<u>PART NAME</u>	<u>QTY.</u>	<u>REMARKS</u>
20	18229	STRAINER, SUCTION	1	
40	3322	90° ELBOW, 90 10MJ-10MO	1	
70	0202	SCREW HHC 5/16"X18X1.....	2	REPLACES P/N 492364
100	EM923057	WASHER, FLAT 1/4".....	4	REPLACES P/N 492596
120	EM923343	WASHER, LOCK 5/16".....	2	REPLACES P/N 492623
230	514230	45° ELBOW 10 V5OX-S	1	
250	518822	90° ELBOW 8-8 C4OMX-S	1	
270	519901	45° ELBOW 10 V6X-S	1	
310	802001	OIL COOLER	1	
400	806085	HOSE, HYD., PUMP TO OIL COOLER	1	
470	806092	HOSE, HYD., PUMP TO RESERVOIR (SUCTION)	1	
550	806467	90° ELBOW 10-6 C4OMX-S	1	
560	806468	HOSE, HYD., OIL COOLER TO RESERVOIR (RETURN)	1	
600	806548	ADAPTER 16-10F5OG5-S	2	
610	806549	90° ELBOW 10-12 CTX-S	1	
630	806552	45° ELBOW 12-8 VTX-S	1	
700	513614	SPRIAL VINYL, 8 IN. (203 MM).....	1	1 PC= 1 FT.
720	2105164	NUT, NYLOC 5/16".....	4	REPLACES P/N 492582



## ELECTRONIC COMPONENTS ASSY.

<u>NO.</u>	<u>PART NO.</u>	<u>PART NAME</u>	<u>QTY.</u>	<u>REMARKS</u>
10	4671	BATTERY, 12V GROUP U1 WET CELL	1	
20	503115	SCREW, 3/16"X 3/4" NC GRD. 2	3	
30	492309	BOLT, 3/8" X 3/4" NC GRD. 2	2	
40	492357	BOLT, 1/4"X 1" NC GRD. 5	2	
60	492542	NUT, 3/8" NC	2	
80	492595	WASHER, FLAT 1/4"	12	
100	2101402	WASHER, LOCK 1/4" DIA. ....	2	REPLACES P/N 492622
110	505500	WING NUT, 1/4"	2	
120	506153	SPIRAL PLASTIC WRAP 33 IN (850 MM).....	1	1 PC. = 1 FT.
150	508480	PLATFORM, BATTERY SUPPORT	1	
180	518767	SWITCH, PARKING BRAKE, 2-POSITION	1	
190	518769	CONTACT BLOCK, PARKING BRAKE SW.	1	
200	519795	SWITCH, EMERGENCY STOP	1	
220	801708	LAMP, RED	2	
250	806526	BATTERY SUPPORT BRACKET	1	
260	808225	BATTERY CABLE (NEG.) 30 IN. (770 MM) .....	1	6 AWG
270	808226	BATTERY CABLE (POS.) 36 IN. (920 MM) .....	1	6 AWG
280	806669	WIRE HARNESS	1	
300	806921	SCREW, 1/4" X 7-1/2" NC GRD. 2	2	
380	491030	TIE-WRAP, 2.5X165 MM	14	
400	503119	NUT, NYLOC 3/16"	3	
420	517659	TIE-WRAP, 4.7X370 MM	2	
440	TK6675734	PLASTIC RETAINER, CLIP 7.7X385 MM	1	
450	802378	RELAY, 12 VDC	1	
460	23284-150	FUSE 15 AMP	1	
470	23284-050	FUSE 5 AMP	1	
480	EM98066	HOLDER, FUSE	2	
490	31750Z2E803	RECTIFIER ASSY., REGULATOR 20A	1	
500	35110ZV5V50	KEY SET, COMBINATION SWITCH	1	

# ENGINE MOUNTING/MUFFLER ASSY.



## ENGINE MOUNTING/MUFFLER ASSY.

---

<u>NO.</u>	<u>PART NO.</u>	<u>PART NAME</u>	<u>QTY.</u>	<u>REMARKS</u>
50	492380	SCREW 3/8" X 2-1/4" NC GRD. 5	4	
70	1456	NUT, HEX 3/8" .....	4	REPLACES P/N 492554
80	492595	WASHER, FLAT 1/4"	1	
90	3019092	WASHER, FLAT 3/8" .....	8	REPLACES P/N 492598
100	2101402	WASHER, LOCK 1/4" DIA. ....	1	REPLACES P/N 492622
130	506196	90° ELBOW	1	
140	020108060	NUT, M8 .....	4	REPLACES P/N 508341
170	513619	PLUG, OIL DRAIN HOSE	1	
210	807073	FITTING, ENGINE OIL DRAIN	1	
230	802922	HOSE, OIL DRAIN	1	
240	806017	ENGINE, HONDA GX690, 22HP	1	
290	806801	COVER, ENGINE WIRE HARNESS	1	
310	806993	MUFFLER, KIT	1	
320	492302	SCREW, 5/16"X 1" NC GRD.	2	
330	492623	WASHER, LOCK 5/16"	2	
340	EM923057	WASHER, FLAT 1/4" .....	4	REPLACES P/N 492596
350	492541	NUT, HEX 5/16" GRD. 2	2	
370	806887	SCREW, M6 X 85	1	
410	492624	WASHER, LOCK 3/8"	4	

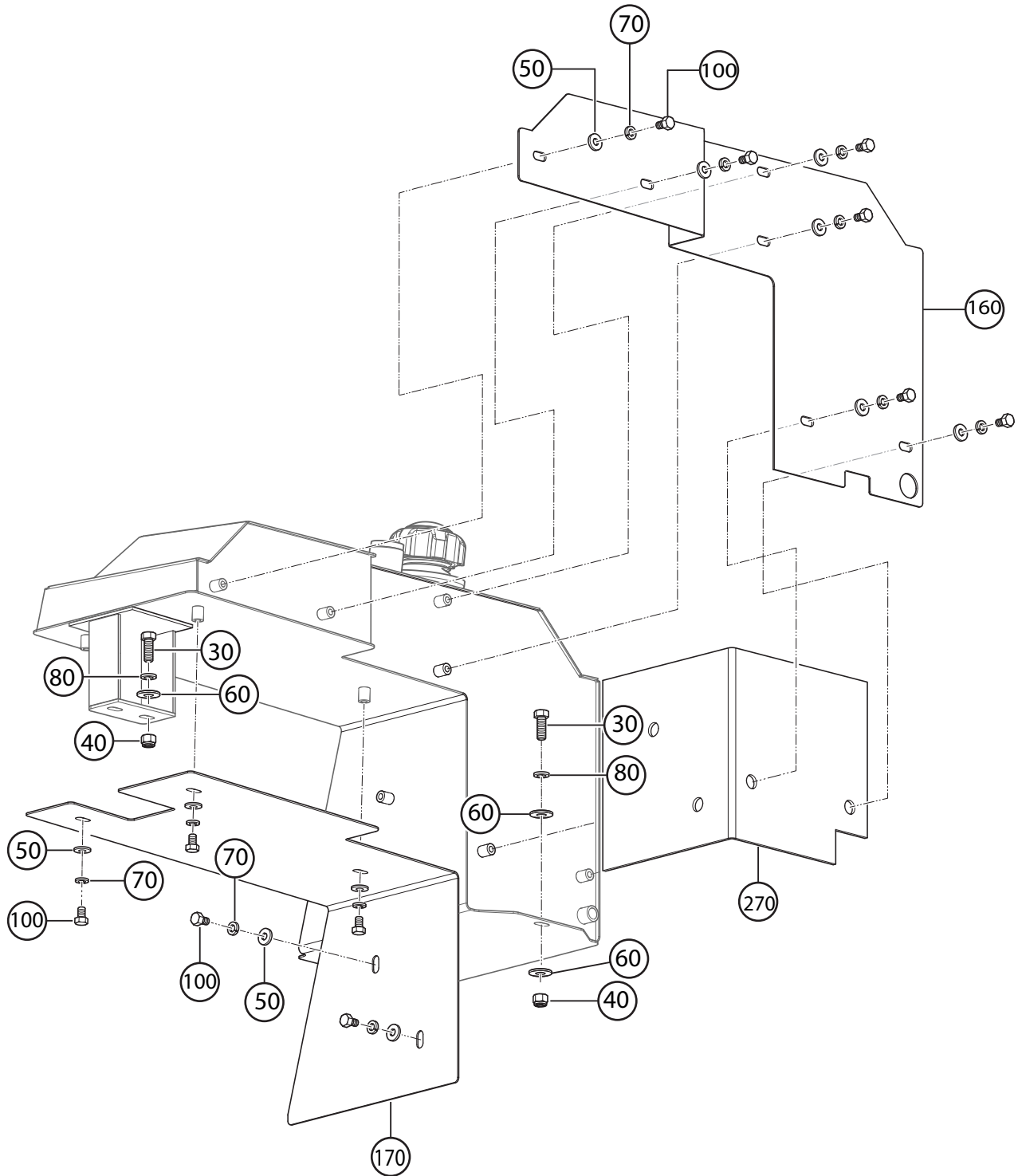


## FUEL TANK ASSY.

---

<u>NO.</u>	<u>PART NO.</u>	<u>PART NAME</u>	<u>QTY.</u>	<u>REMARKS</u>
10	22081	VALVE, FUEL SHUTOFF 1/4NPT X 1/4" HOSE	1	
20	23506	CANISTER, CARBON 800CC	1	
90	493108	CLAMP, CHARCOAL CANISTER	2	
110	800416	HOSE, REDUCER 5/16" TO 3/16"	1	
120	802006	SEAL, FUEL TANK	1	
130	802498	CLAMP, FUEL HOSE	4	
140	802574	CLAMP, FUEL HOSE	3	
150	802575	CLAMP, FUEL HOSE	2	
180	806585	FUEL TANK	1	
190	EM202772	VENT VALVE EPA	1	
200	EM203403	GROMMET, VENT VALVE	1	
210	520833	HOSE, FUEL EPA 3/16" 1.6 FT. (.5 M)	1	
220	520833	HOSE, FUEL EPA 3/16" 9 IN. (.23 M)	1	
230	520611	HOSE, FUEL EPA 1/4" 4 FT. (1.2 M)	1	
250	520612	HOSE, FUEL EPA 5/16" 2.75 IN. (.07 M)	1	
260	520612	HOSE, FUEL EPA 5/16" 8.6 IN. (.22 M)	1	
290	806947	CAP, FUEL TANK BLK.	1	
300	801130	CLAMP	2	
310	DULT100443	BOLT, M6 X 20	2	
320	2102402	WASHER, LOCK 1/4"	1	
330	506208	CLAMP	1	
340	807340	SPACER, PLASTIC	1	
350	16910Z6L003	FUEL FILTER, IN-LINE	1	

# FUEL TANK ENCLOSURE ASSY.

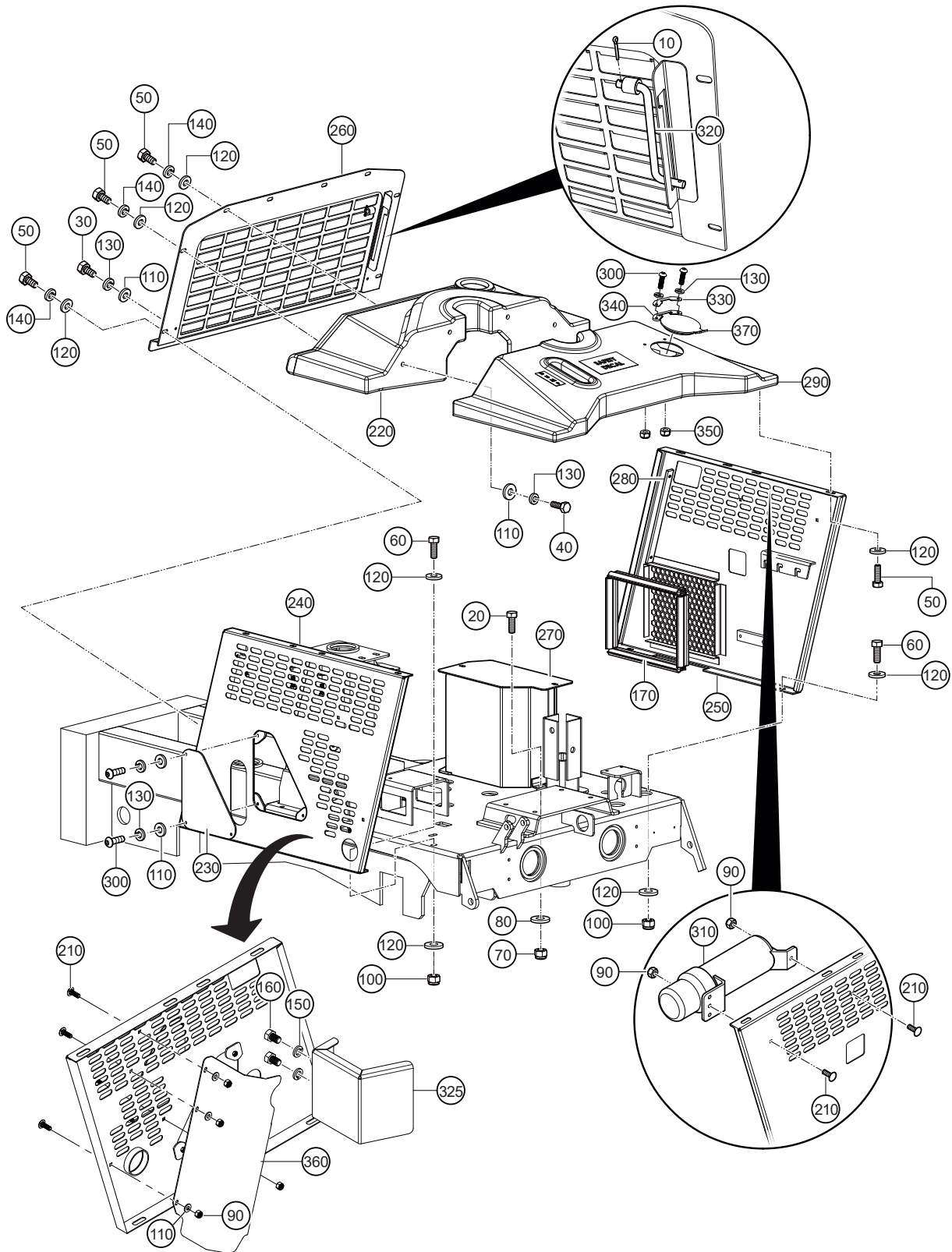


## FUEL TANK ENCLOSURE ASSY.

---

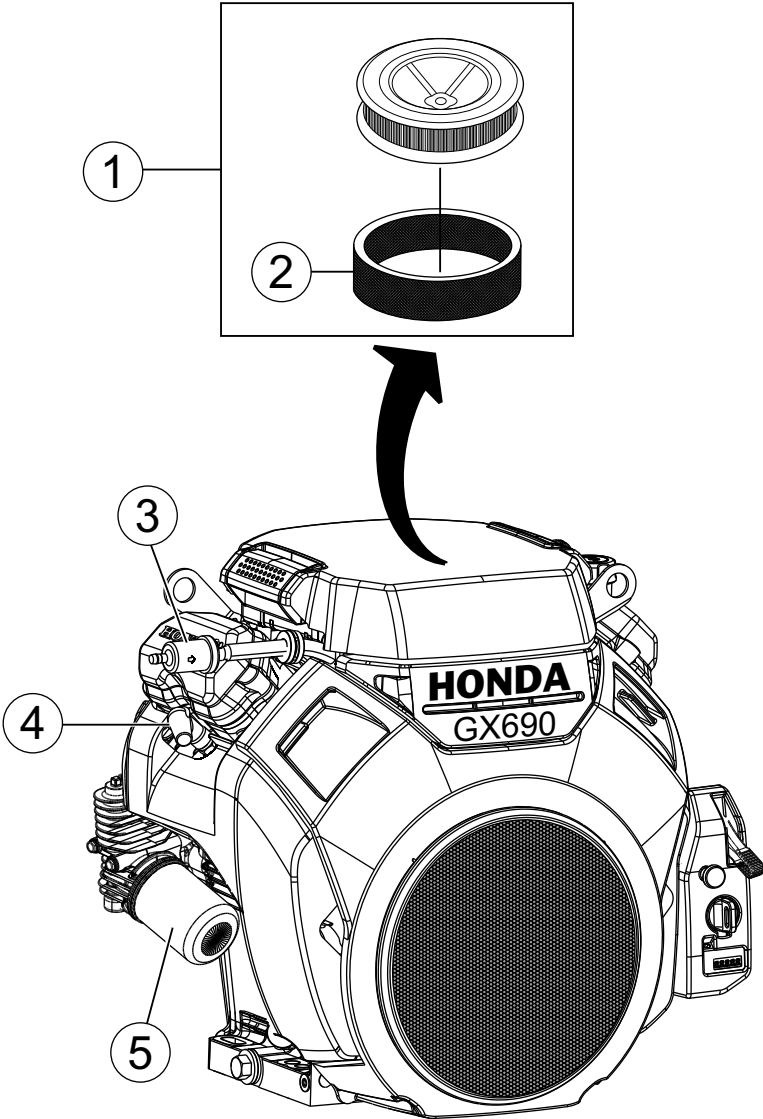
<u>NO.</u>	<u>PART NO.</u>	<u>PART NAME</u>	<u>QTY.</u>	<u>REMARKS</u>
30	EM963610	CAP SCREW 3/8"X1-1/4" NC GRD. 8 .....	4.....	REPLACES P/N 492375
40	EM969013	NUT, NYLOC 3/8"X 1" NC GRD. 5.....	4.....	REPLACES P/N 492583
50	EM923057	WASHER, FLAT 1/4" .....	11.....	REPLACES P/N 492596
60	3019092	WASHER, FLAT 3/8" .....	4.....	REPLACES P/N 492598
70	EM923343	WASHER, LOCK 5/16" .....	11.....	REPLACES P/N 492623
80	0166A	WASHER, LOCK 3/8" .....	4.....	REPLACES P/N 492624
100	492363	SCREW HHC 5/16-18 X 3/4"	11	
160	806463	HEAT SHIELD, SIDE, FUEL TANK	1	
170	806464	HEAT SHIELD, BOTTOM, FUEL TANK	1	
270	806945	HEAT SHIELD, HYDRAULIC TANK	1	

# PANELS ASSY.



## PANELS ASSY.

<u>NO.</u>	<u>PART NO.</u>	<u>PART NAME</u>	<u>QTY.</u>	<u>REMARKS</u>
10	EM491686	PIN, COTTER .....	2.....	REPLACES P/N 491686
20	492311	SCREW, 3/8" X 1" NC GRD. 2	2	
30	1579	SCREW, HHC 1/4-20 X 1/2" .....	2.....	REPLACES P/N 492355
40	492356	BOLT, 1/4" X 3/4"	4	
50	492363	BOLT, 5/16" X 3/4" NC GRD 5	16	
60	0202	SCREW, HHC 5/16" X 18" X 1" .....	5.....	REPLACES P/N 492364
70	1456	NUT, HEX 3/8" .....	2.....	REPLACES P/N 492554
80	492598	WASHER, FLAT 3/8"	2	
90	492581	NUT, NYLOC 1/4"-20	7	
100	2105164	NUT, NYLOC 5/16"-18 .....	5.....	REPLACES P/N 492582
110	492595	WASHER, FLAT 1/4"	13	
120	492597	WASHER, FLAT 3/8"	26	
130	2101402	WASHER, LOCK 1/4" DIA. ....	11.....	REPLACES P/N 492622
140	EM923343	WASHER, LOCK 5/16" .....	8.....	REPLACES P/N 492623
150	610918	WASHER, LOCK 1/2"	2	
160	504456	HEX HEAD BOLT 1/2" NC X 3/4" G5	2	
170	520230	RUBBER SEAL, HEAT EXCH. 3.3 FT. (1 M).....	1.....	1 PC. = 1 FT.
210	800056	BOLT, 1/4" UNC X 3/4"	7	
220	800845	COVER, FUEL TANK UPPER	1	
230	806437	ACCESS PANEL, DUMP VALVE	1	
240	806451	PANEL, LEFT-SIDE	1	
250	806504	PANEL, RIGHT-SIDE	1	
260	806507	DOOR, ACCESS	1	
270	806529	COVER FAN	1	
280	806545	SUPPORT BRACKET, PANEL	2	
290	808261	COVER, FUEL TANK LOWER	1	
300	100443	BOLT, M6X 20	5	
310	23297	MANUAL HOLDER	1	
320	806511	PANEL, SUPPORT ROD	1	
325	808188	COVER, RETURN FILTER	1	
330	803301	SUPPORT BRACKET	1	
340	803300	SUPPORT HINGE	1	
350	DULT100078	NUT, NYLOC M6	2	
360	807076	COVER, MUFFLER	1	
370	807051	OIL ACCESS COVER	1	



## ENGINE SERVICE PARTS

---

<u>NO.</u>	<u>PART NO.</u>	<u>PART NAME</u>	<u>QTY.</u>	<u>REMARKS</u>
1	17210Z6L010	ELEMENT AIR CLEANER COMPLETE .....	1.....	INCLUDES ITEMS W/\$
2\$	17218Z6L000	FILTER, OUTER AIR	1	
3	16910Z6L003	FILTER, IN-LINE FUEL	1	
4	980795587G	SPARK PLUG (ZFR5F)	1	
5	15400RTA003	CARTRIDGE, OIL FILTER	1	