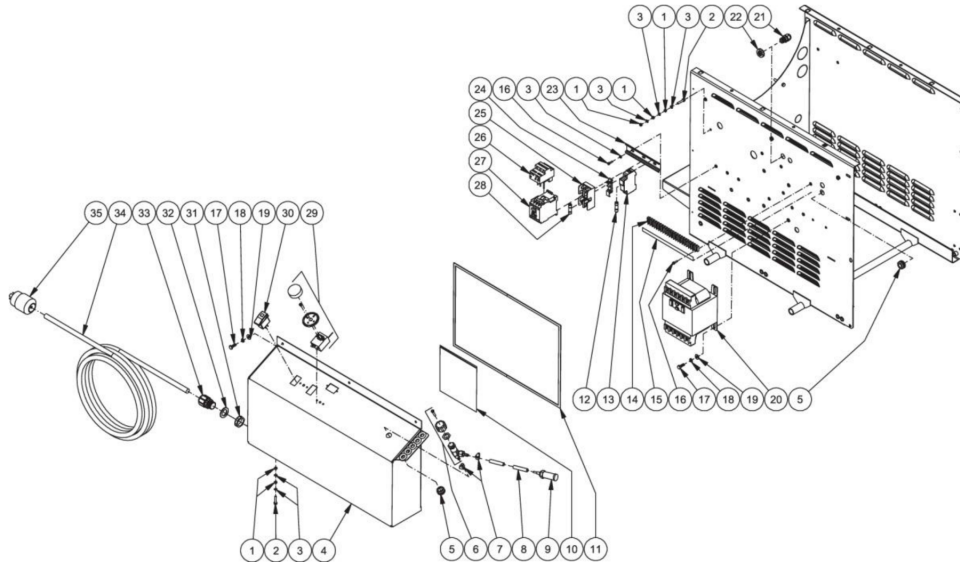




HHS-3005-1E5G / HHS-3005-1E5G (sn:0-99999999)

ELECTRIC BOX



Id	Item #	Description	Quantity	Rev	Comments
1	30-6001	NUT	5		
2	27-8807	BOLT	2		
3	28-1009	STAR WASHER	7		
4	20-0824A18	ELECTRIC BOX	1		
5	33-0001	GROMMET	9		
6	22-0226	DETERGENT VALVE	1		
7	42-0004	CLAMP WORM	2		
8	15-0021	HOSE *(SIX FEET REQUIRED)	1		
9	19-0056	STRAINER	1		
10	41-0184	PLASTIC ZIPLOCK BAG	1		
11	26-0240	GASKET	1		
12	32-0675	FUSE - 10 AMP	1		
13	32-0473	FUSE HOLDER	1		
14	32-0463	TERMINAL STRIP	1		
15	N/A sEP.	DECAL - TERMINAL STRIP *(SEE 34-9037)	1		
16	27-8835	SCREW	4		
17	27-0015	BOLT	7		

Id	Item #	Description	Quantity	Rev	Comments
18	29-0006	LOCKWASHER	7		
19	28-0002	WASHER	7		
20	32-0678	TRANSFORMER - 460V (2004/3004/3005-1E4G/A)	1		
20	32-0677	TRANSFORMER - 575V (3004/3005-1E5G/A)	1		
21	32-0586	STRAIN RELIEF	1		
22	32-0587	ELECTRICAL LOCKNUT	1		
23	32-0316	DIN RAIL *(ONE FOOT REQUIRED)	1		
24	32-0682	DIN RAIL MOUNT ADAPTER	2		
25	32-0681	2 POLE FUSE BLOCK	1		
26	32-0482	OVERLOAD RELAY (3004/3005-1E4G/A, 3005-1E5G/A)	1		
26	32-0481	OVERLOAD RELAY (2004-1E4G/A, 3004-1E5G/A)	1		
27	32-0477	CONTACTOR	1		
28	32-0676	FUSE - 4 AMP (2004/3004/3005-1E4G/A)	2		
28	32-0688	FUSE - 2 AMP (3004/3005-1E5G/A)	2		
29	32-0962	ADJUSTABLE THERMOSTAT	1		
30	32-0669	ROCKER SWITCH	1		
31	32-0292	ELECTRICAL LOCKNUT	1		
32	28-0051	WASHER	1		
33	9-0046	CORD RELIEF	1		
34	32-0023	CORD *(THIRTY-SEVEN FEET REQUIRED)	1		
35	32-0117	PLUG (2004/3004/3005-1E4G/A)	1		
35	32-0695	PLUG (3004/3005-1E5G/A)	1		
	34-9037	DECAL SET - HHS	1		

*MUST ORDER IN ONE FOOT LENGTHS

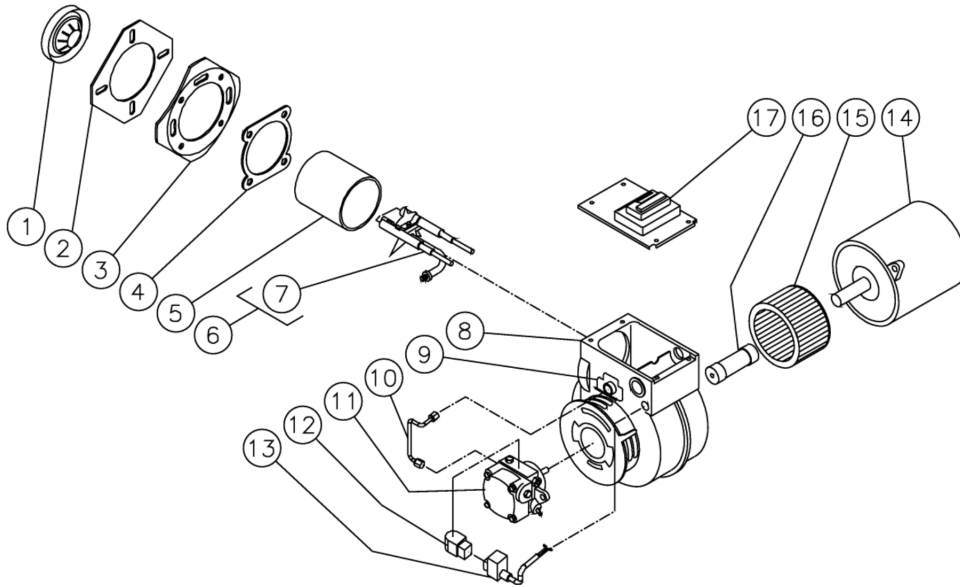
Id	Item #	Description	Quantity	Rev	Comments
7	32-0254	CONDUIT ELBOW	2		
8	24-0245	PIPE NIPPLE	1		
9	24-0240	ELBOW	1		
10	32-0253	CONDUIT FLEX *(TWO FEET REQUIRED)	1		
11	20-0537A18	PATCH PLATE	2		
12	15-0008	FUEL HOSE *(TWO FEET REQUIRED)	1		
13	42-0004	CLAMP WORM	1		
14	22-0309	SAFETY RELIEF VALVE (3004/3005)	1		
14	22-0308	PRESSURE RELIEF VALVE - 3500 PSI (1002/1502/1003/2004)	1		
15	32-0962	ADJUSTABLE THERMOSTAT	1		
16	24-0241	CROSS	1		
17	24-0255	PIPE NIPPLE	2		
18	24-0243	ADAPTER	1		
19	17-0007	QUICK CONNECT SOCKET	1		
20	27-3062	BOLT	8		
21	20-0527A18	BOTTOM WRAP	1		
22	66-0014	COIL	1		
23	33-0346	INSULATION DISC (THREE FEET REQUIRED)	1		
24	850-0279	INSULATION BLANKET	1		
24	33-0032	INSULATION BLANKET - 24" X 57" LONG 1" THICK	1		
25	21-0129	TOP WRAP	1		
26	33-0020	EDGING *(THREE FEET REQUIRED)	1		
27	33-0345	INSULATION DRUM HEAD	1		
28	18-0090	FUEL NOZZLE (2004)	1		
28	18-0091	NOZZLE SOLID OIL 2.0 80 DEG B (3004)	1		
28	18-0093	NOZZLE SOLID OIL 2.50 80 DEG (3005)	1		
28	18-0356	NOZZLE-FUEL 1.50 90 DEG A (1003)	1		
28	18-0357	NOZZLE-FUEL 1.00 90 DEG A (1502/1002)	1		
29	44-0108	GASKET	1		
30	28-0023	WASHER	3		
31	29-0008	LOCKWASHER	3		
32	30-0006	NUT	3		

*MUST ORDER IN ONE FOOT LENGTHS



HHS-3005-1E9G / HHS-3005-1E9G (sn:0-99999999)

BURNER ASSEMBLY



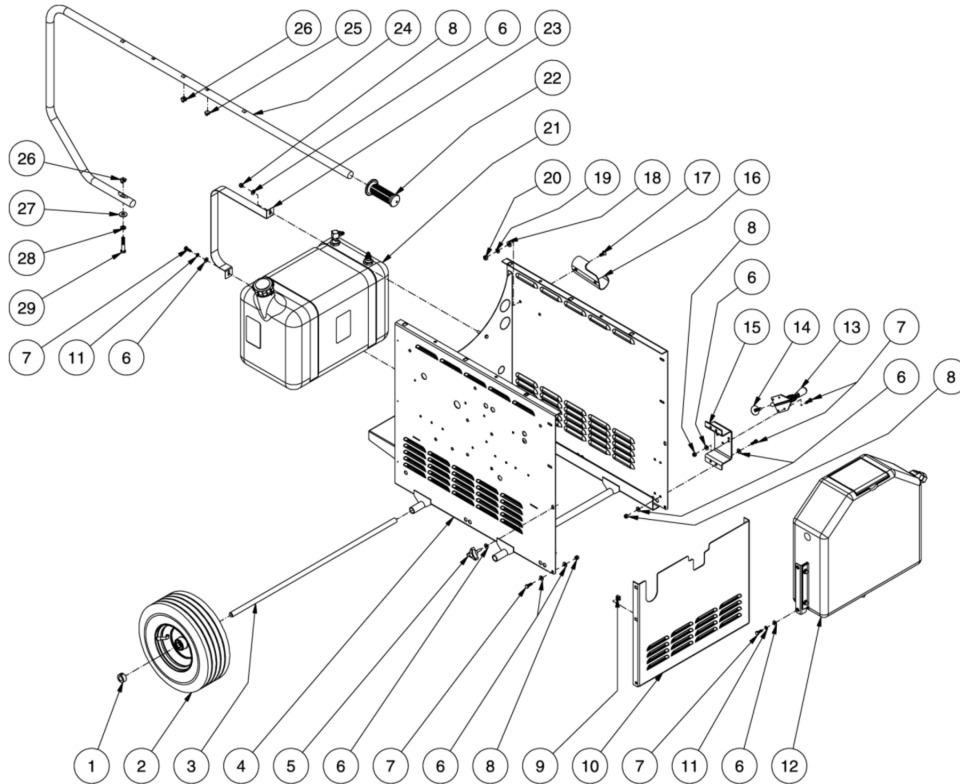
Id	Item #	Description	Quantity	Rev	Comments
1	44-0011	BURNER HEAD	1		
2	44-0108	MOUNTING GASKET	1		
3	44-0109	FLANGE	1		
4	26-0138	GASKET	1		
5	44-0110	AIR TUBE	1		
6	44-0113	NOZZLE LINE ASSEMBLY (INC. 7)	1		
7	44-0114	ELECTRODE KIT	1		
8	44-0033	BURNER HOUSING	1		
9	44-0031	ESCUTCHEON PLATE	1		
10	44-0026	FUEL LINE	1		
11	3-0236	FUEL PUMP	1		
12	46-1020	FUEL SOLENOID	1		
13	44-0122	CORD SET	1		
14	2-0068	MOTOR (4-0017)	1		
14	2-0067	MOTOR (4-0018)	1		
15	44-0071	BLOWER WHEEL	1		
16	44-0014	COUPLER	1		

Id	Item #	Description	Quantity	Rev	Comments
17	44-0017	IGNITION TRANSFORMER (4-0017)	1		
17	44-0015	IGNITION TRANSFORMER (4-0018)	1		
	4-0017	COMPLETE BURNER (INCLUDES 1-17)			
	4-0018	COMPLETE BURNER (INCLUDES 1-17)			



HHS-3005-1E9G / HHS-3005-1E9G (sn:0-99999999)

CHASSIS ASSEMBLY



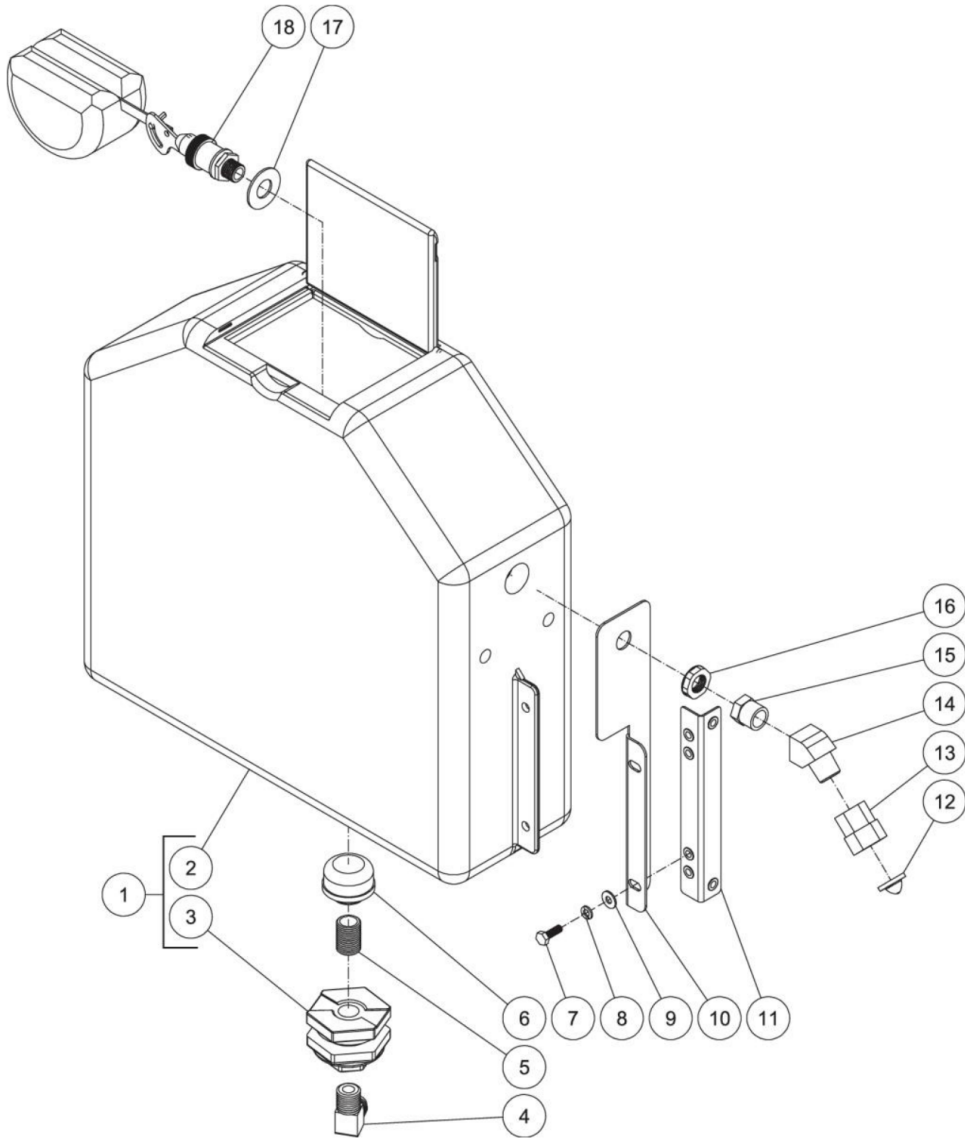
Id	Item #	Description	Quantity	Rev	Comments
1	33-0351	COLLAR W/ SET SCREW	4		
2	14-0006	WHEEL	4		
3	20-0524	AXLE	2		
4	5-0230A18	CHASSIS ASSEMBLY	1		
5	7-0168	3-PRONG KNOB	2		
6	28-0002	FLATWASHER	26		
7	27-0015	BOLT	16		
8	30-0155	HEX NUT	12		
9	30-6026	CLIP NUT	2		
10	20-0525A18	ACCESS DOOR	1		
11	29-0006	LOCKWASHER	6		
12	N/A Sep.	FLOAT TANK ASSEMBLY (SEE EXPLODED DRAWING)	1		
13	33-0400	PUSH/PULL BRAKE	1		

Id	Item #	Description	Quantity	Rev	Comments
14	27-9550	ELEVATOR BOLT	1		
15	20-0825A18	BRAKE BRACKET	1		
16	20-0870A18	WAND HOLDER	1		
17	27-0418	BOLT	2		
18	28-0003	FLATWASHER	2		
19	29-0007	LOCKWASHER	2		
20	30-0005	NUT	2		
21	850-0303	FUEL TANK ASSEMBLY	1		
22	7-0167	HANDLE GRIP	2		
23	20-0598A18	FUEL TANK STRAP	2		
24	7-0166A18	HANDLE	2		
25	30-6027	CLIP NUT	4		
26	30-6025	CLIP NUT	8		
27	28-0023	WASHER	2		
28	29-0008	LOCKWASHER	2		
29	27-0121	BOLT	2		



HHS-3005-1E9G / HHS-3005-1E9G (sn:0-99999999)

FLOAT TANK



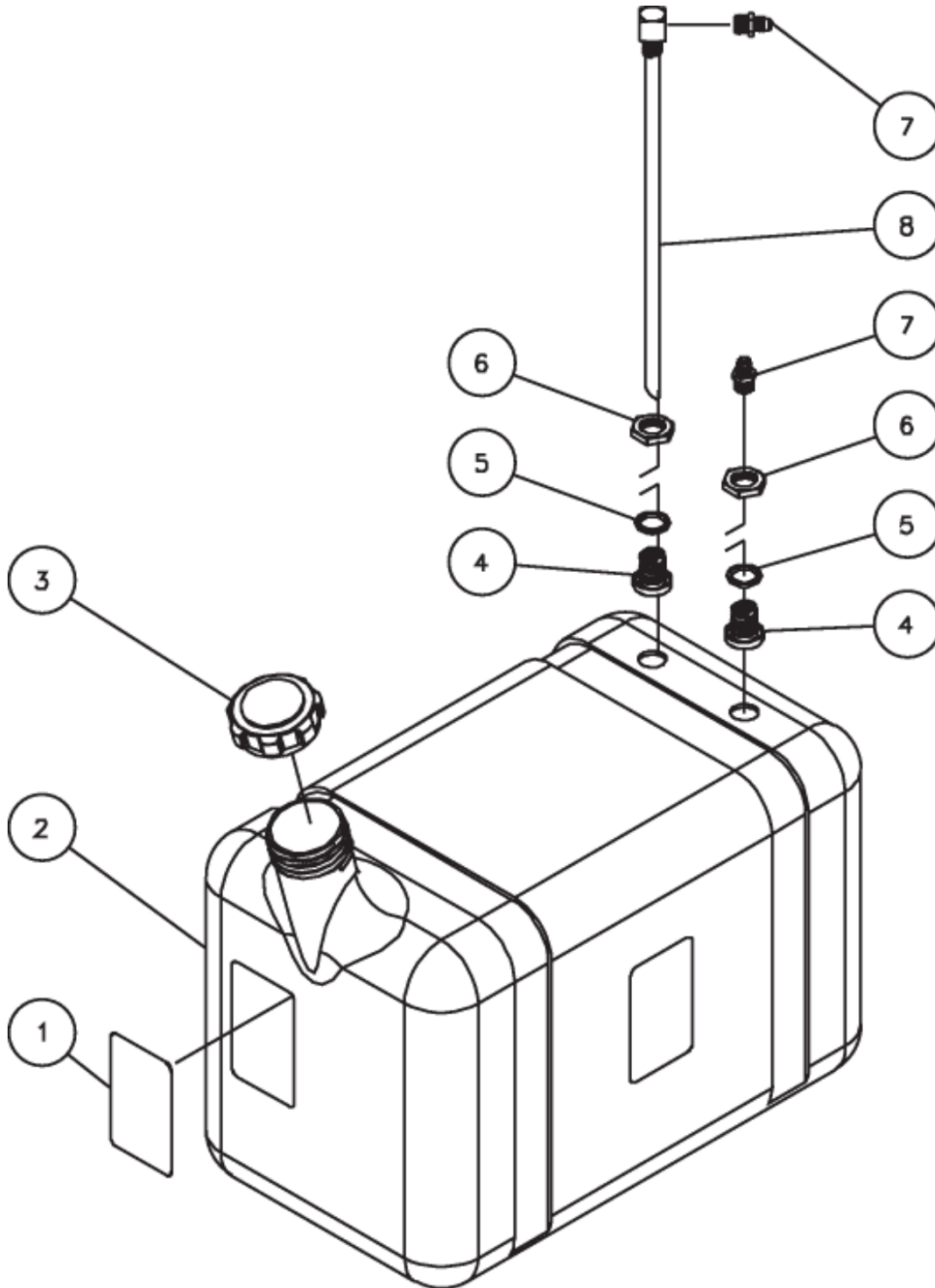
Id	Item #	Description	Quantity	Rev	Comments
1	850-0321	FLOAT TANK ASSEMBLY (INC. 1-2)	1		
2	N/A	FLOAT TANK	1		
3	55-0886	BULKHEAD	1		
4	23-0389	ELBOW	1		
5	23-0019	NIPPLE	1		
6	19-0203	STRAINER	1		

Id	Item #	Description	Quantity	Rev	Comments
7	27-0015	BOLT	4		
8	29-0006	LOCKWASHER	4		
9	28-0002	WASHER	4		
10	20-0911A18	BRACKET	1		
11	20-0599A18	BRACKET	2		
12	19-0001	FILTER	1		
13	23-0001	SWIVEL	1		
14	23-0344	ELBOW	1		
15	23-0016	REDUCER BUSHING	1		
16	23-0138	NUT	1		
17	28-0050	WASHER	1		
18	850-0238	FLOAT VALVE - MODIFIED	1		



HHS-3005-1E9G / HHS-3005-1E9G (sn:0-99999999)

FUEL TANK ASSEMBLY



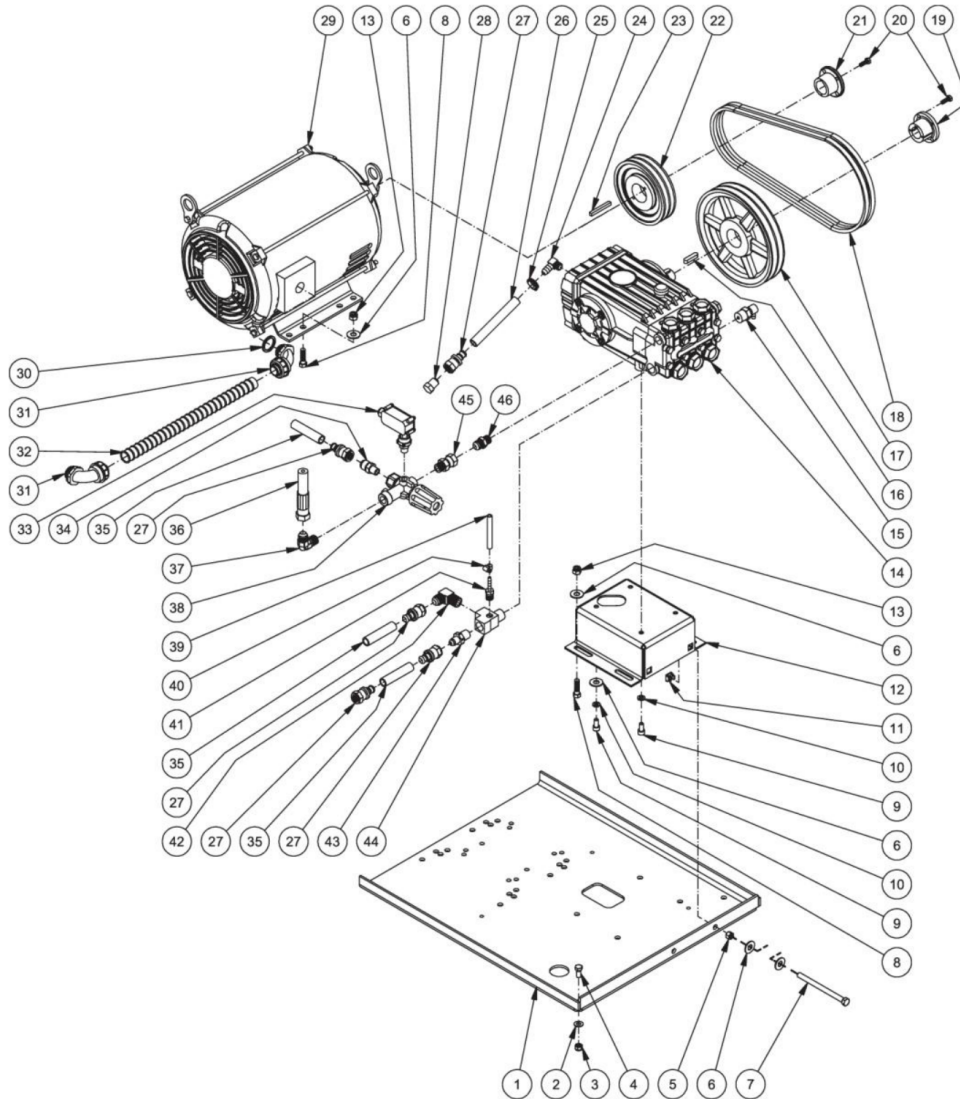
Id	Item #	Description	Quantity	Rev	Comments
1	34-1034	DECAL- CAUTION: RISK OF FIRE	1		
2	12-0126	FUEL TANK	1		
3	12-0033	VENTED FUEL CAP	1		

Id	Item #	Description	Quantity	Rev	Comments
4	23-0408	BULKHEAD FITTING	2		
5	25-0427	O-RING	2		
6	23-0409	NUT	2		
7	23-0247	FLARE FITTING	2		
8	33-0352	FUEL PICK-UP	1		



HHS-3005-1E9G / HHS-3005-1E9G (sn:0-99999999)

MOTOR/PUMP ASSEMBLY



Id	Item #	Description	Quantity	Rev	Comments
1	5-0152A18	MOTOR PUMP BASEPLATE	1		
2	28-0003	WASHER	1		
3	30-0157	LOCKNUT	1		
4	27-0066	BOLT	1		
5	30-0006	NUT	2		
6	28-0023	WASHER	13		
7	27-0133	BOLT	2		

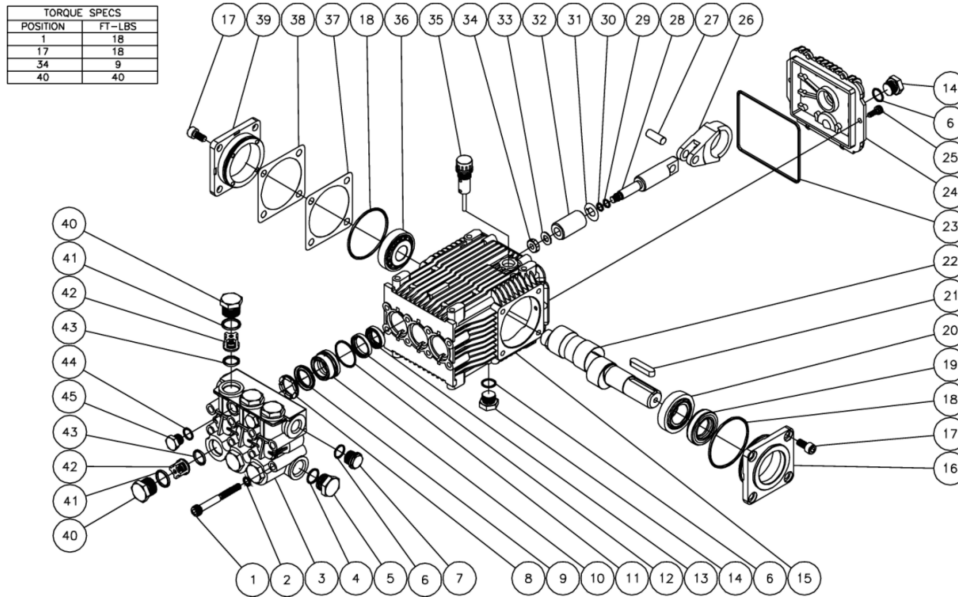
Id	Item #	Description	Quantity	Rev	Comments
8	27-0118	BOLT	8		
9	27-8884	BOLT (A)	4		
9	27-8471	BOLT (G)	4		
10	29-0054	LOCKWASHER (A)	4		
10	29-0055	LOCKWASHER (G)	4		
11	30-6025	CLIP NUT	2		
12	5-0154A18	PUMP HAT (A)	1		
12	5-0153A18	PUMP HAT (G)	1		
13	30-0159	LOCKNUT	8		
14	3-0202	PUMP (G)	1		
14	3-0211	PUMP (A)	1		
15	22-0414	HEAT DUMP VALVE	1		
16	43-0048	KEY	1		
17	10-0007	SHEAVE	1		
18	11-0008	BELT	2		
18	11-0057	BELT (HHS-3004)	2		
18	11-0030	BELT (HHS-3005)	2		
19	9-0017	BUSHING	1		
20	27-0015	BOLT	4		
21	9-0010	BUSHING (HHS-2004)	1		
21	9-0008	BUSHING (HHS-3004/3005)	1		
22	10-0036	SHEAVE (HHS-2004)	1		
22	10-0041	SHEAVE (HHS-3004)	1		
22	10-0104	SHEAVE (HHS-3005)	1		
23	43-0078	KEY	1		
24	23-0119	ELBOW	1		
25	42-0011	HOSE CLAMP	1		
26	15-0007	HOSE *(ONE FOOT REQUIRED)	1		
27	23-0360	HOSE BARB	5		
28	23-0411	PLUG	1		
29	2-0110	MOTOR - 8HP (HHS-3004-1E3/4A/G)	1		
29	2-0107	MOTOR - 6HP (HHS-2004-1E2A/G)	1		
29	2-0112	MOTOR - 10HP (HHS-3005-1E3/4A/G)	1		
29	2-0132	MOTOR - 10HP (HHS-3005-1E2A/G)	1		
29	2-0131	MOTOR - 10HP (HHS-3005-1E9A/G)	1		
29	2-0129	MOTOR - 8HP (HHS-3004-1E9A/G)	1		
29	2-0127	MOTOR - 6HP (HHS-2004-1E9A/G)	1		
29	2-0125	MOTOR - 8HP (HHS-3004-1E8A/G)	1		
29	2-0124	MOTOR - 6HP (HHS-2004-1E8A/G)	1		

Id	Item #	Description	Quantity	Rev	Comments
29	2-0113	MOTOR - 10HP (HHS-3005-1E5A/G)	1		
29	2-0111	MOTOR - 8HP (HHS-3004-1E5A/G)	1		
29	2-0109	MOTOR - 8HP (HHS-3004-1E2A/G)	1		
29	2-0130	MOTOR - 10HP (HHS-3005-1E8A/G)	1		
29	2-0108	MOTOR - 6HP (HHS-2004-1E3/4A/G)	1		
30	26-0314	GASKET	1		
31	32-0487	CONDUIT ELBOW	2		
32	32-0486	CONDUIT FLEX *(THREE FEET REQUIRED)	1		
33	22-0171	PRESS SWITCH	1		
34	23-0370	NIPPLE	1		
35	15-0200	HOSE *(THREE FEET REQUIRED)	3		
36	15-0221	HIGH PRESSURE HOSE ASSEMBLY	1		
37	24-0092	ELBOW	1		
38	850-0252	UNLOADER	1		
39	15-0021	HOSE *(THREE FEET REQUIRED)	1		
40	42-0004	CLAMP WORM	1		
41	23-0051	BARB	1		
42	23-0389	ELBOW	1		
43	23-0361	NIPPLE	1		
44	23-0388	STREET TEE	1		
45	24-0037	SWIVEL	1		
46	24-0002	NIPPLE	1		



HHS-3005-1E5A / HHS-3005-1E5A (sn:0-99999999)

PUMP ASSEMBLY



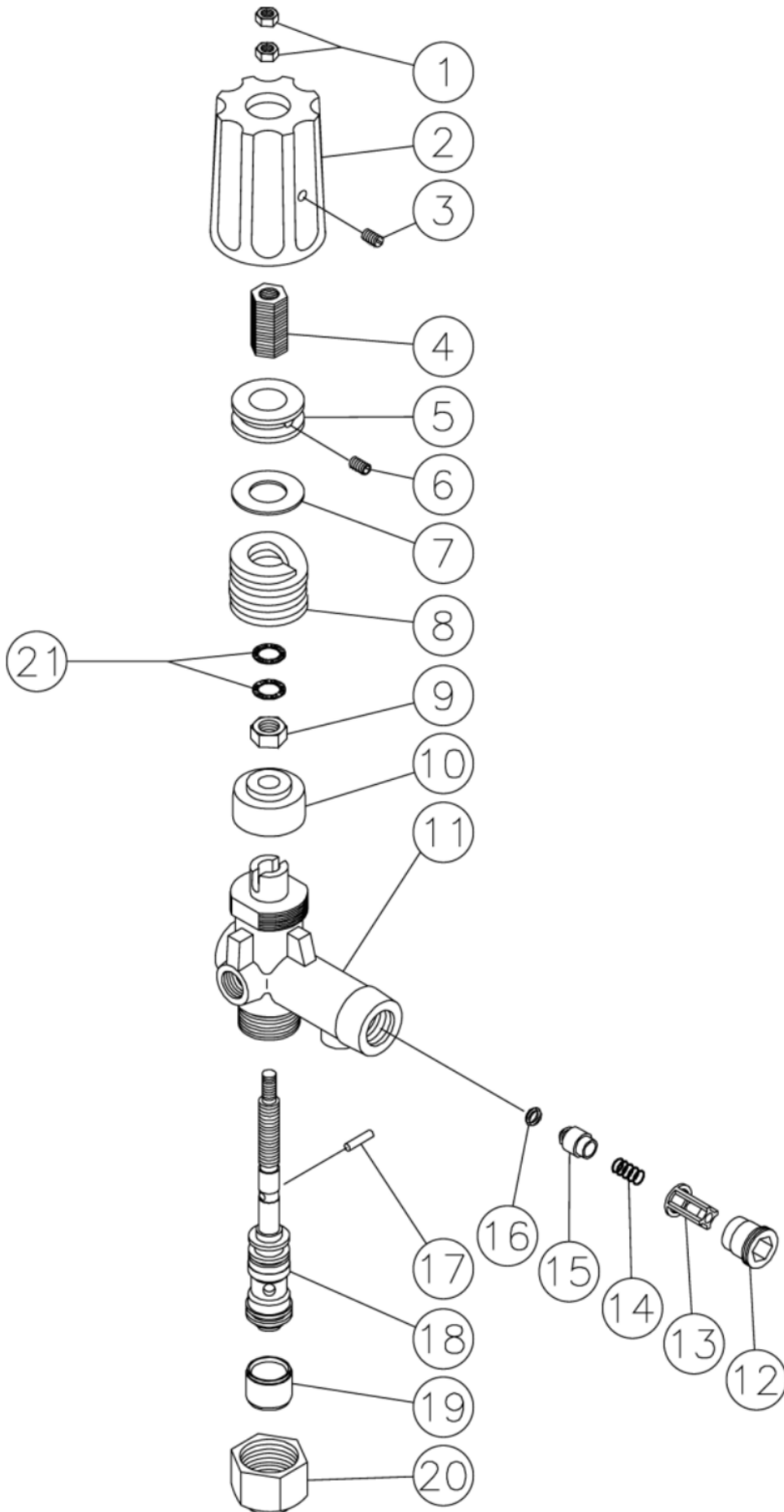
Id	Item #	Description	Quantity	Rev	Comments
1	27-8440	SCREW	8		
2	29-0154	LOCKWASHER	8		
3	46-0927	PUMP HEAD	1		
4	25-0372	O-RING	1		
5	39-0103	PLUG	1		
6	25-0510	O-RING	3		
7	39-0205	PLUG	1		
8	SEE KIT	SUPPORT RING (SEE 70-0323)	3		
9	SEE KIT	GASKET (SEE 70-0322)	3		
10	46-0929	PISTON GUIDE	3		
11	SEE KIT	O-RING (SEE 70-0322)	3		
12	SEE KIT	GASKET (SEE 70-0322)	3		
13	SEE KIT	SEAL (SEE 70-0321)	3		
14	39-0206	PLUG-OIL DRAIN	2		
15	46-0811	CRANKCASE	1		
16	46-0691	PUMP SHAFT COVER	1		
17	27-8884	SCREW	8		

Id	Item #	Description	Quantity	Rev	Comments
18	SEE KIT	O-RING (SEE 70-0321)	2		
19	SEE KIT	OIL SEAL (SEE 70-0321)	1		
20	48-0061	BEARING	1		
21	43-0091	KEY	1		
22	46-0933	CRANKSHAFT	1		
23	SEE KIT	O-RING (SEE 70-0321)	1		
24	46-0719	CRANKCASE COVER	1		
25	27-8401	SCREW	6		
26	46-0922	CONNECTING ROD	3		
27	46-0698	PISTON PIN	3		
28	46-0699	PLUNGER ROD	3		
29	25-0404	BACK-UP RING	3		
30	25-0382	O-RING	1		
31	46-0700	WASHER	3		
32	SEE KIT	PISTON (SEE 70-0320)	3		
33	26-0191	SEAL	3		
34	30-6020	NUT	3		
35	39-0090	OIL DIPSTICK	1		
36	48-0072	BEARING	1		
37	46-0936	PUMP SHIM (0.25MM)	1		
38	46-0705	PUMP SHIM (0.2MM)	1		
39	46-0703	BEARING CAP/ SUPPORT	1		
40	39-0105	VALVE CAP	6		
41	25-0160	O-RING	6		
42	SEE KIT	COMPLETE VALVE (SEE 70-0319)	6		
43	25-0386	O-RING	6		
44	25-0387	O-RING	2		
45	39-0207	PLUG	2		
KIT	70-0319	VALVE KIT (INC. 6 EACH OF 42)			
KIT	70-0320	PISTON KIT (INC. 3 EACH OF 32)			
KIT	70-0321	OIL SEAL KIT (INC. 4 EACH OF 13, 18-19, 23)			
KIT	70-0322	WATER SEALS KIT (INC. 3 EACH OF 9, 11, 12)			
KIT	70-0323	SUPPORT RING KIT (INC. 3 EACH OF 8)			



HHS-3005-1E9G / HHS-3005-1E9G (sn:0-99999999)

UNLOADER

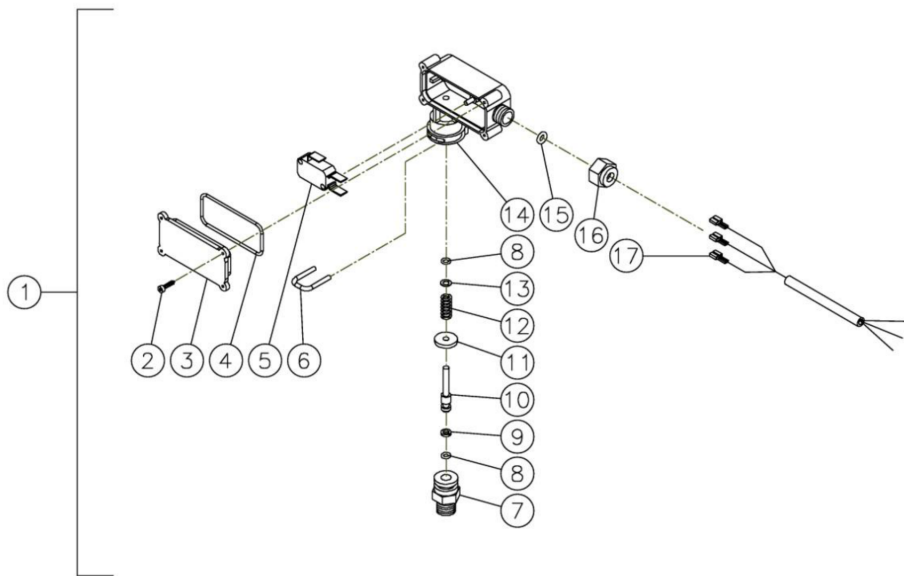


Id	Item #	Description	Quantity	Rev	Comments
1	8-0362	HEX NUT	2		
2	7-0098	COVER	1		
3	27-4280	SET SCREW	1		
4	8-0363	ADJUSTING INSERT- BRASS	1		
5	8-0364	ADJUSTMENT NUT	1		
6	8-0365	SET SCREW	1		
7	8-0366	GLIDE RING	1		
8	49-0104	SPRING	1		
9	8-0367	HEX NUT	1		
10	8-0368	BUSHING	1		
11	8-0369	UNLOADER BODY	1		
12	8-0269	RETAINER	1		
13	8-0104	VALVE HOUSING	1		
14	49-0023	SPRING	1		
15	8-0105	VALVE	1		
16	25-0036	O-RING	1		
17	8-0372	CYLINDER PIN	1		
18	70-0243	PISTON REPAIR KIT	1		
19	8-0371	SPACER	1		
20	8-0157	STOP NUT	1		
21	29-0154	WASHER	2		
	70-0244	CHECK VALVE REPAIR KIT (INCLUDES 13-16)			



HHS-3005-1E9G / HHS-3005-1E9G (sn:0-99999999)

PRESSURE SWITCH



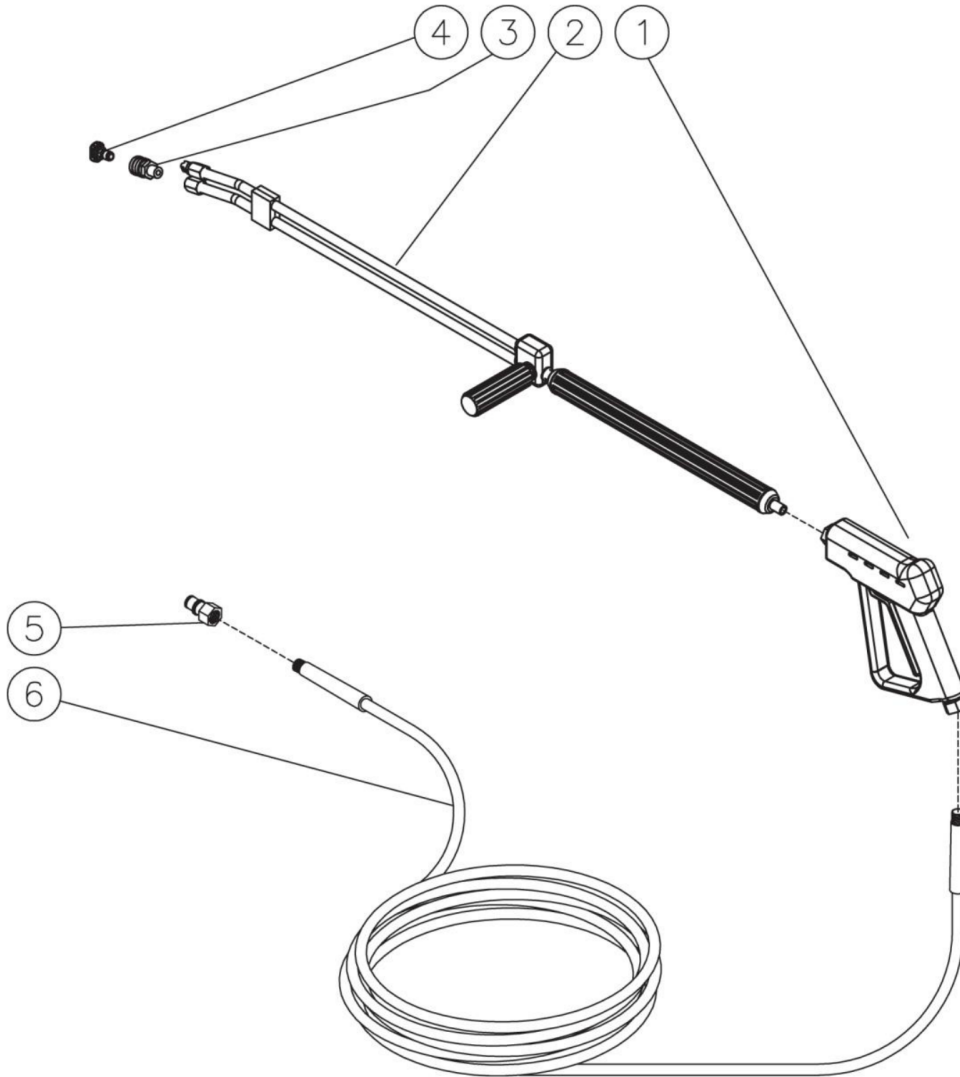
Id	Item #	Description	Quantity	Rev	Comments
1	22-0171	PRESSURE SWITCH	1		
2	N/A	SCREW	4		
3	N/A	COVER	1		
4	N/A Sep.	O-RING (SEE 70-0306)	1		
5	N/A	MICRO SWITCH	1		
6	N/A	RETAINER CLIP	1		
7	N/A	BODY	1		
8	N/A Sep.	O-RING (SEE 70-0306)	2		
9	N/A Sep.	BACK-UP RING (SEE 70-0306)	1		
10	N/A	PISTON	1		
11	N/A	WASHER	1		
12	49-0144	SPRING	1		
13	N/A	WASHER	1		
14	N/A	PLASTIC HOUSING	1		
15	N/A Sep.	O-RING (SEE 70-0306)	1		
16	N/A	NUT	1		

Id	Item #	Description	Quantity	Rev	Comments
17	N/A	WIRE ASSEMBLY	1		
	70-0306	O-RING REPAIR KIT (INC. 4, 8-9, 15)			



HHS-3005-1E9G / HHS-3005-1E9G (sn:0-99999999)

GUN/WAND/HOSE ASSEMBLY



Id	Item #	Description	Quantity	Rev	Comments
1	27-0066	BOLT	1		
2	5-0152A18	BASEPLATE	1		
3	27-0118	BOLT	4		
4	27-8471	BOLT	4		
5	29-0055	LOCKWASHER	4		
6	28-0023	FLATWASHER	9		
7	5-0153A18	PUMP HAT	1		

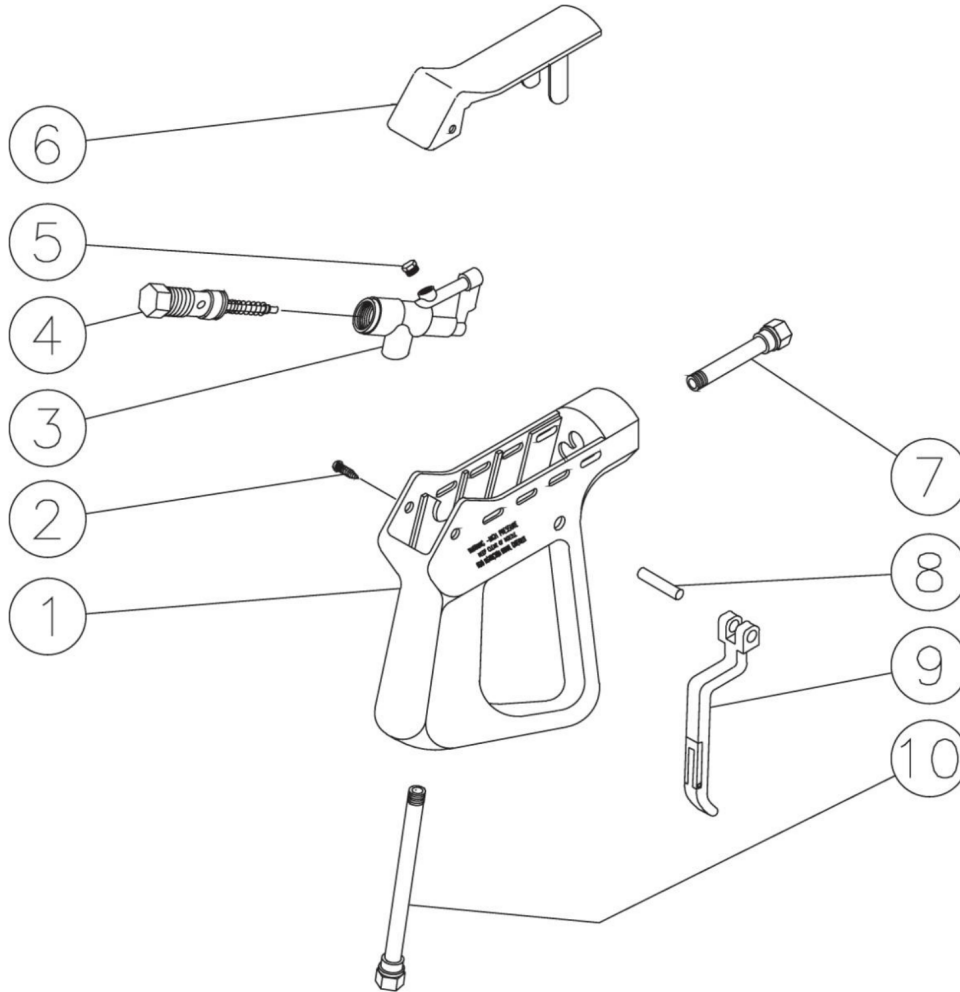
Id	Item #	Description	Quantity	Rev	Comments
8	30-6025	CLIP NUT	2		
9	27-0133	BOLT	2		
10	30-0006	HEX NUT	2		
11	30-0159	NUT	4		
12	3-0005	PUMP W/KEY	1		
13	22-0005	HEAT DUMP VALVE	1		
14	43-0048	KEY	1		
15	10-0066	SHEAVE	1		
16	11-0023	BELT	1		
17	9-0017	BUSHING	1		
18	27-0015	BOLT W/BUSHING	2		
19	10-0111	SHEAVE	1		
20	27-0067	BOLT	4		
21	28-0003	FLATWASHER	4		
22	30-0157	NYLOCK	4		
23	43-0078	KEY	1		
24	2-0120	MOTOR ASSEMBLY	1		
25	32-0254	CONDUIT ELBOW	2		
26	32-0253	CONDUIT FLEX *(THREE FEET REQUIRED)`	2		
27	28-0051	FLATWASHER	2		
28	32-0108	LOCKNUT	1		
29	24-0002	NIPPLE	1		
30	24-0037	SWIVEL	1		
31	22-0171	PRESSURE SWITCH	1		
32	15-0221	HIGH PRESSURE HOSE ASSEMBLY	1		
33	23-0370	NIPPLE	1		
34	850-0252	UNLOADER ASSEMBLY	1		
35	24-0092	ELBOW	1		
36	23-0360	HOSE BARB	4		
37	15-0200	HOSE *(THREE FEET REQUIRED)	1		
38	23-0389	ELBOW	1		
39	23-0361	NIPPLE	1		
40	23-0388	STREET TEE	1		
41	23-0051	HOSE BARB	1		
42	42-0004	CLAMP	1		
43	15-0021	DETERGENT HOSE *(THREE FEET REQUIRED)	1		

*MUST ORDER IN ONE FOOT LENGTHS.



HHS-3005-1E9G / HHS-3005-1E9G (sn:0-99999999)

GUN ASSEMBLY



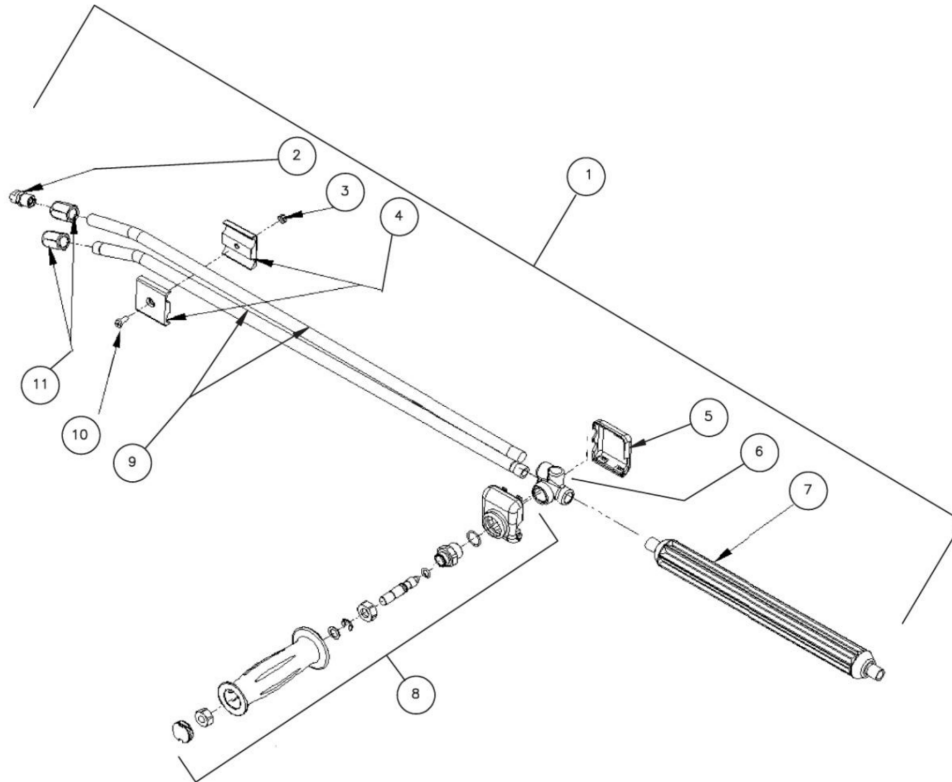
Id	Item #	Description	Quantity	Rev	Comments
1	16-0008	PLASTIC HOUSING	1		
2	27-3230	SCREW	2		
3	16-0012	BRASS HOUSING	1		
4	70-0055	GUN REPAIR KIT	1		
5	39-0024	BRASS PLUG	1		
6	16-0009	PLASTIC COVER	1		
7	16-0013	PIPE ASSEMBLY	1		
8	16-0063	TRIGGER PIN	1		
9	16-0010	TRIGGER/SAFETY LOCK-OFF	1		

Id	Item #	Description	Quantity	Rev	Comments
10	16-0016	PIPE ASSEMBLY- INLET	1		
	16-0001	COMPLETE GUN ASSEMBLY	1		



HHS-3005-1E9G / HHS-3005-1E9G (sn:0-99999999)

DUAL LANCE ASSEMBLY



Id	Item #	Description	Quantity	Rev	Comments
1	16-0416	DUAL LANCE ASSEMBLY - 36" (INC. 2-11)	1		
1	16-0417	DUAL LANCE ASSEMBLY - 48" (INC. 2-11)	1		
2	18-0110	DETERGENT NOZZLE	1		
3	30-6001	NUT	1		
4	16-0420	CLAMP	2		
5	N/A Sep.	LOWER VALVE COVER (SEE 16-0416 OR 16-0417)	1		
6	N/A Sep.	HOUSING (SEE 16-0416 OR 16-0417)	1		
7	16-0419	LANCE	1		
8	70-0419	HANDLE REPAIR KIT	1		
9	N/A Sep.	LANCE (SEE 16-0416)	2		
9	N/A Sep.	LANCE (SEE 16-0417)	2		
10	27-8196	SCREW	1		

Id	Item #	Description	Quantity	Rev	Comments
11	24-0280	NOZZLE ADAPTER	2		