



**Free-Standing
EPA Certified
Wood-Burning Stoves**

**Save These Instructions
For Future Reference**

P/N 775215M, Rev. F, 09/2011



Performer ST210
and SWS210



Performer SS210

**Wood Stoves
Models Performer™ SS210,
ST210 and SWS210**

A French manual is available upon request. Order P/N 775215CF.

Ce manuel d'installation est disponible en français, simplement en faire la demande. Numéro de la pièce 775215CF.

This appliance must be properly installed and operated in order to prevent the possibility of a house fire. Please read this entire installation and operation manual before installing and using your wood stove. Failure to follow these instructions could result in property damage, bodily injury or even death. Contact your local building or fire officials to obtain a permit and information on any installation requirements and inspection requirements in your area.

NATIONAL FIREPLACE INSTITUTE
NFI
CERTIFIED

www.nficertified.org

Nous recommandons que nos poêles à bois soient installés et que l'entretien soit effectué par des professionnels certifiés, aux Etats-Unis par le National Fireplace Institute® (NFI) et au Canada, par le Wood Energy Technical Training (WETT).

Wood Energy Technical Training

Tested & Listed By Portland Oregon USA
OMNI-Test Laboratories, Inc.
Report # 050-S-03b-2

	! WARNINGS
<ul style="list-style-type: none"> • Hot! Do not touch! The glass and surfaces of this appliance will be hot during operation and will retain heat for a while after shutting off the appliance. Severe burns may result. • Carefully supervise children in the same room as appliance. 	

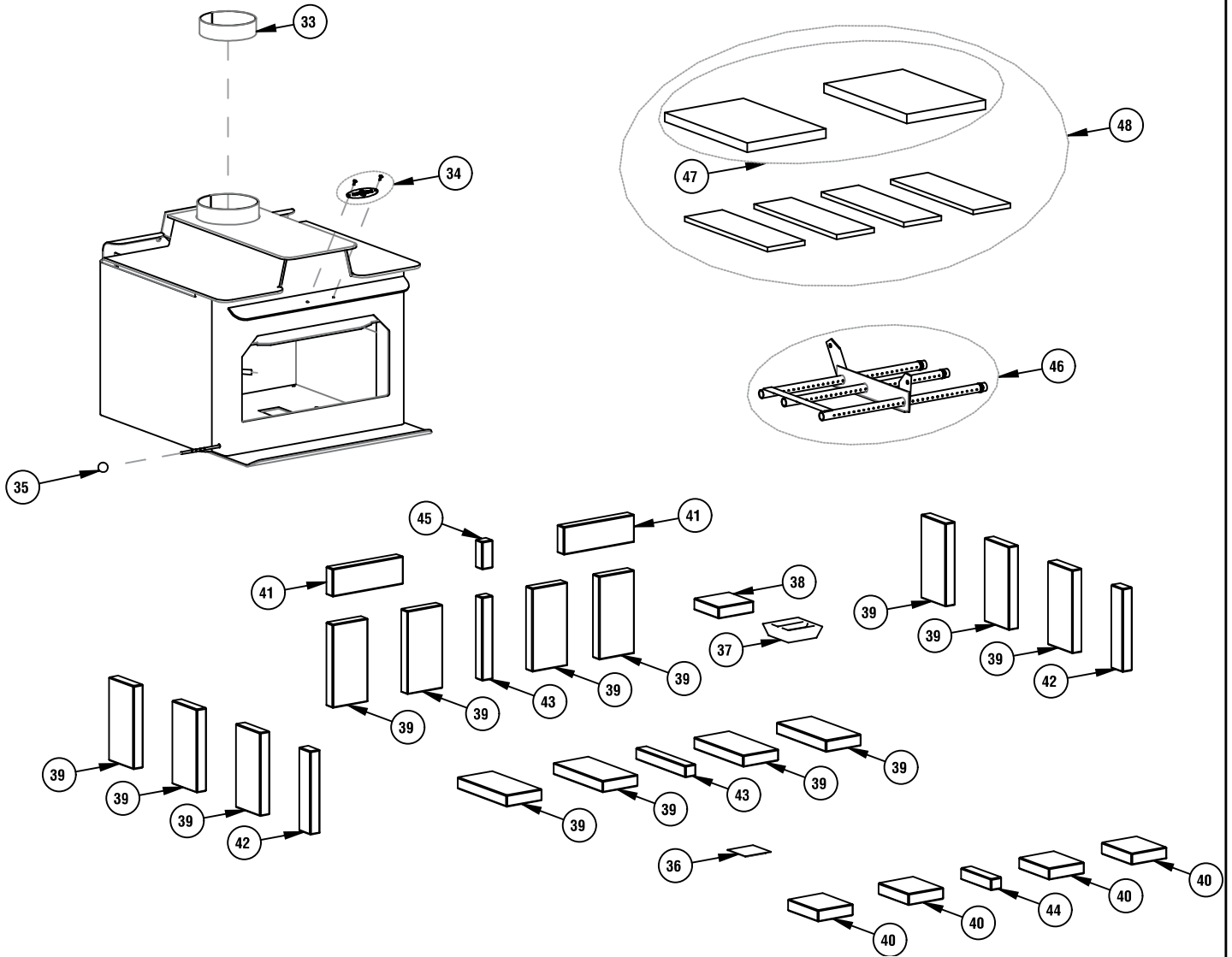
REPLACEMENT PARTS - MODELS SS210, ST210 AND SWS210

Contact an Lennox Hearth Products dealer to obtain any of these parts. Never use substitute materials. Use of non-approved parts can result in poor performance and safety hazards.

FRONT DOOR PARTS LIST		
Item #	Cat. No	Description
1	H5639	Door Rope Kit, 7/8" Dia. (6' 2")
2	H5629	Upper Hinge Pin
3	H5626	Upper Hinge Pin E-Clip
4	H5628	Lower Hinge Pin
6	H5640	Glass Gasket Kit (8' 4")
7	H5577	Set of 6 screws and 6 washers for door assembly
8	H5654	Spring Handle / Nickel
	H5653	Spring Handle / Gold
9	71067	Traditional Door Glass / Plain
	71068	Traditional Door Glass / Sailboat
	71063	Traditional Door Glass / Cattail
	71065	Traditional Door Glass / Evergreen
	71066	Traditional Door Glass / Floral
10	71057	Traditional Door Faceplate / Black
	71058	Traditional Door Faceplate / Gold
	71059	Traditional Door Faceplate / Nickel
	71148	Traditional Door Faceplate / Brushed Gold
	71145	Traditional Door Faceplate / Brushed Nickel
11	71072	Arch Door Glass / Plain
	71073	Arch Door Glass / Sailboat
	71069	Arch Door Glass / Cattail
	71070	Arch Door Glass / Evergreen
	71071	Arch Door Glass / Floral
12	71060	Arch Door Faceplate / Black
	71061	Arch Door Faceplate / Gold
	71062	Arch Door Faceplate / Nickel
	71147	Arch Door Faceplate / Brushed Gold
	71144	Arch Door Faceplate / Brushed Nickel
13	H5579	Traditional Door Back w/ Handle (door gasket included)
14	H5578	Arch Door Back w/ Handle (door gasket included)
ASH DRAWER PEDESTAL & PEDESTAL		
15	H5514	Small & Large Pedestal Rear Block Off Plate w/ Hole
16	H5556	Ash Drawer for Large Pedestal
17	H5564	Ash Plug Remover and Rake
18	H5516	Aluminum Flex Tubing Kit w/ clamp (15" of 4" dia.)
19	H5565	6" x 6-1/2" Rodent Screen
LEGS AND LEG PARTS		
18	H5516	Aluminum Flex Tubing Kit w/ clamp (15" of 4" dia.)

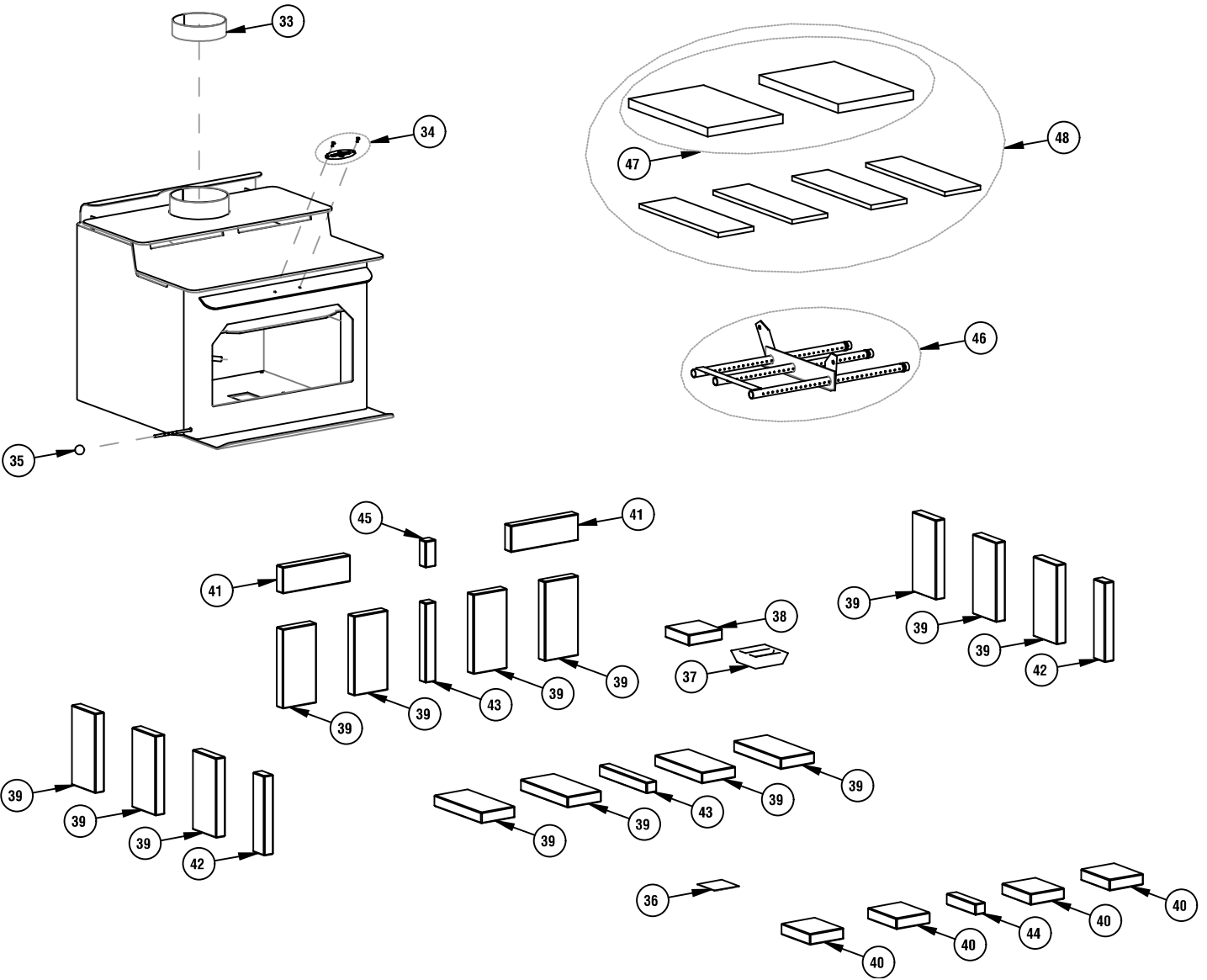
20	H5558	Single Black Cascade Leg
21	H5669	Single Black Olympic Leg
	H5622	Single Gold Olympic Leg
	H5621	Single Nickel Olympic Leg
	H5620	Single Brushed Gold Olympic Leg
	H5619	Single Brushed Nickel Olympic Leg
22	H5649	Heatshield / Leg Fastener Kit
23	71115	Bottom Heatshield / SS210, ST210 and SWS210
24	H5662	Cascade / Olympic Leg Kit Outside Air Plenum Box
FSB BLOWER PARTS		
25	H8062	FSB700 Blower Only Assembly w/ blower wiring harness
26	H5658	Fan Blade (FSB700)
27	H5657	Fan Cage (FSB700)
28	H8063	FSB700 Blower Only Wire Harness
29	H8064	Snap Switch w/gasket and screws
30	H5742	Speed Control - High Temperature (FSB700)
31	H8065	Control Panel Assembly w/ Snap Switch Housing Assembly
32	H8066	Control Switch (Manual, Off, Automatic)
MISCELLANEOUS PARTS		
	71052	Dry Graphite (Apply to door handle and door hinges)
	H5633	Anti Seize 2 gram pouch
	71134	Stainless Steel Pipe Reducer from 8" to 6"
SS210, ST210 AND SWS210 STOVE PARTS		
33	H5627	Removable Inner Flue Collar Ring
34	H8079	Nameplate Kit w/ Hardware - Silver
	H8080	Nameplate Kit w/ Hardware - Gold
35	H5650	Draft Rod Knob
36	H8081	Ash Block Off - Hearthplate
37	H5661	Cast Iron Ash Plug
38	H5582	1/2 Cut Brick for Ash Removal
39	H5612	Firebrick 4-1/2" x 9" (14 per stove)
40	H5606	Firebrick 4-1/2" x 5-1/2" (4 per stove)
41	H5605	Firebrick 3" x 9" (2 per stove)
42	H5611	Firebrick 2-1/8" x 9" (2 per stove)
43	H5599	Firebrick 1-1/2" x 9" (2 per stove)
44	H3096	Firebrick 1-1/2" x 5-1/2" (1 per stove)
45	H5603	Firebrick 1-1/2" x 3" (1 per stove)
46	H5571	Complete Baffle/Secondary Burn Tube Assembly (includes tubes and all mounting hardware)
47	H8019	Baffle Blankets 15-1/4" x 12-1/2" x 1" - Two Included
48	H8018	Baffle Board Kit w/ Baffle Blankets

REPLACEMENT PARTS - MODEL SS210



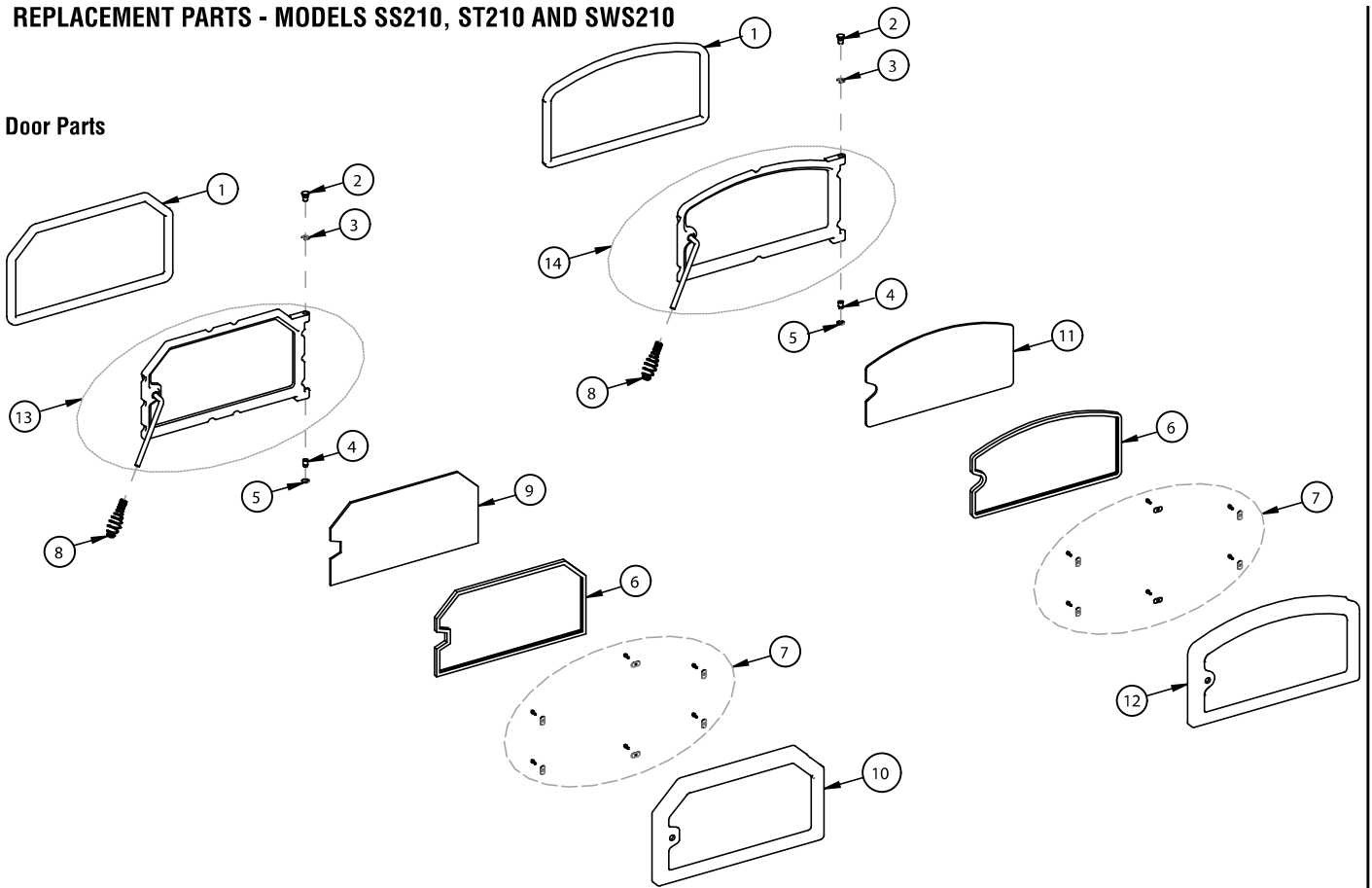
NOTE: DIAGRAMS & ILLUSTRATIONS ARE NOT TO SCALE.

REPLACEMENT PARTS - MODEL ST210 AND SWS210

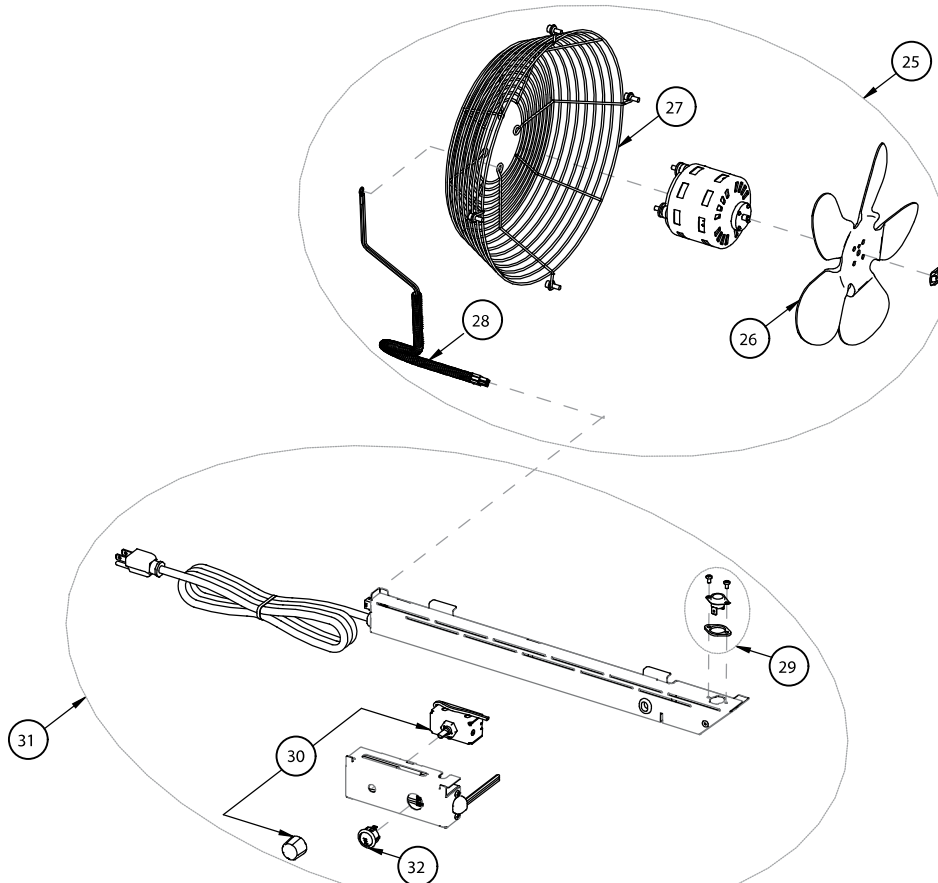


REPLACEMENT PARTS - MODELS SS210, ST210 AND SWS210

Door Parts



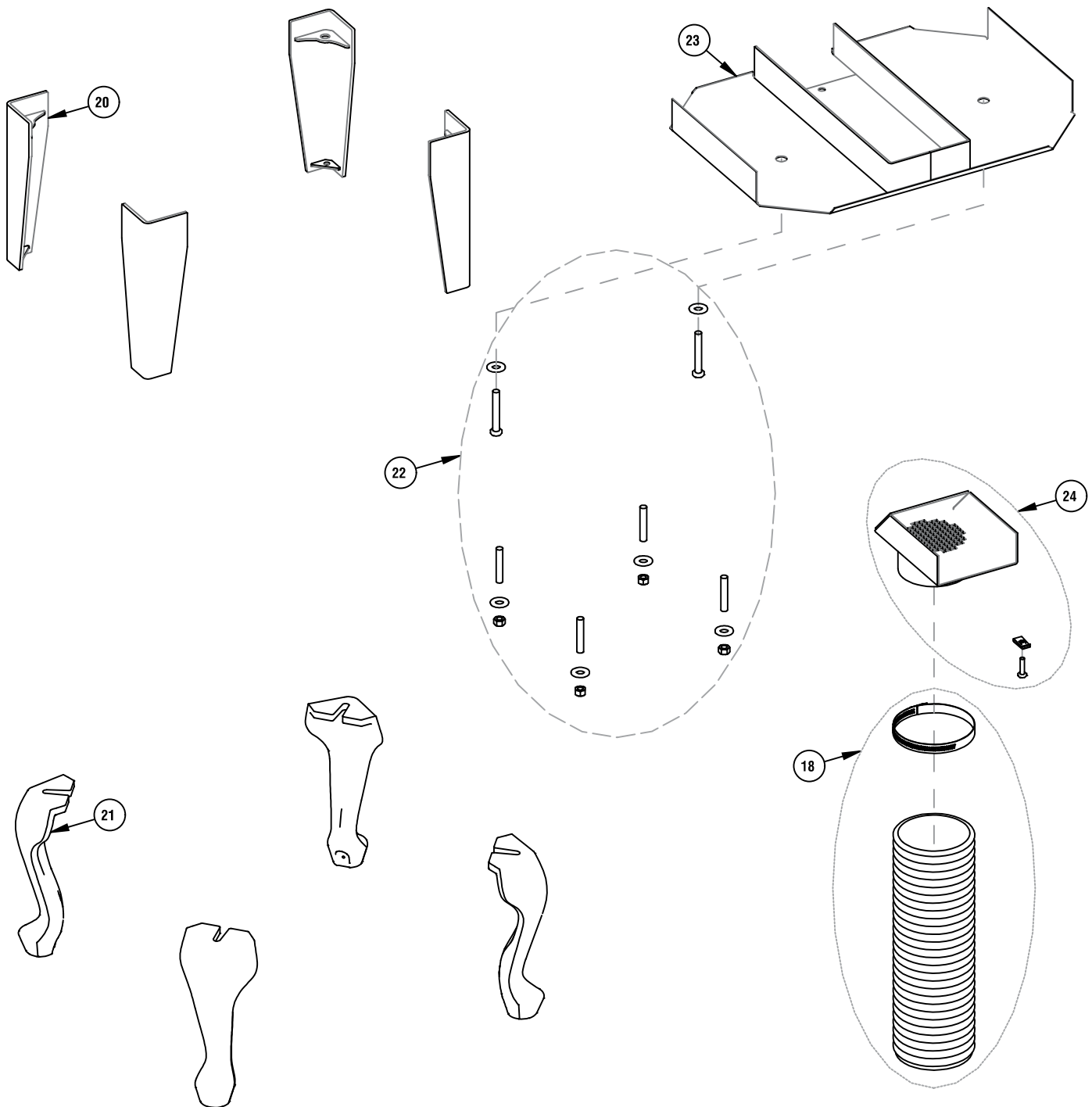
Blower Parts



NOTE: DIAGRAMS & ILLUSTRATIONS ARE NOT TO SCALE.

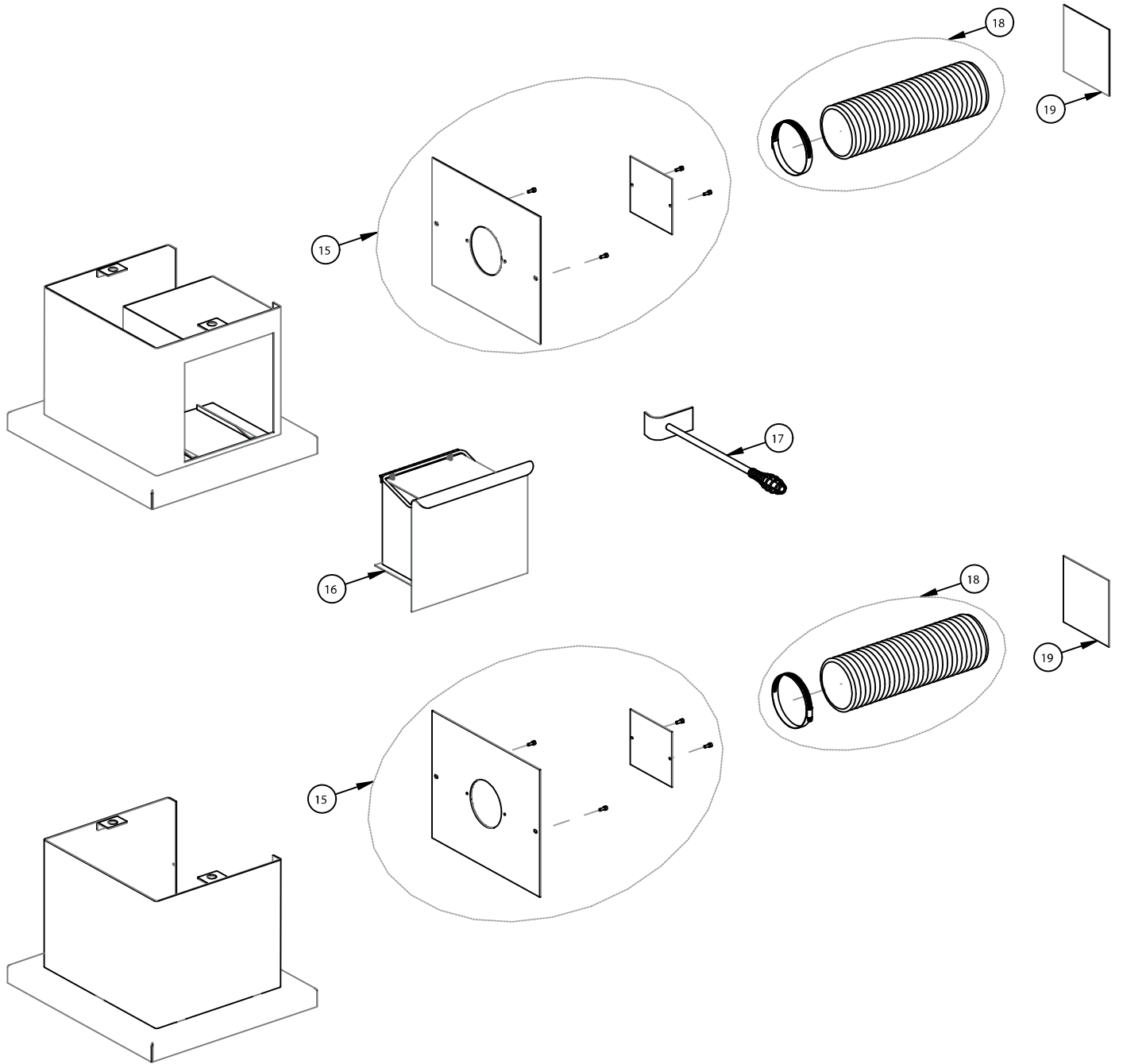
REPLACEMENT PARTS - MODELS SS210, ST210 AND SWS210

Leg and Leg Parts



REPLACEMENT PARTS - MODELS SS210, ST210 AND SWS210

Ash Drawer Pedestal and Pedestal



NOTE: DIAGRAMS & ILLUSTRATIONS ARE NOT TO SCALE.

ACCESSORIES - MODELS SS210

Product Reference Information			
Cat. No.	Description	Ship. Weight	Ship. Volume
H7885	SS210T-B, Stove / T Top / Traditional Black Door / Nickel Nameplate	411 lb.	26.23 cu. ft.

PEDESTALS (REQUIRED)		
Cat. No.	Model	Description
71113	WL-PED	Pedestal <i>(ref. form #506033-16)</i>
71114	WL-PED-ASHD	Ash Drawer Pedestal <i>(ref. form #506033-15)</i>
OR LEGS (REQUIRED) <i>(ref. form #506033-14)</i>		
70000	LEG-OLY-B	Olympic Sculptured Black Legs (4 per pkg.)
70001	LEG-OLY-G	Olympic Sculptured Gold Legs (4 per pkg.)
70002	LEG-OLY-N	Olympic Sculptured Nickel Legs (4 per pkg.)
70007	LEG-OLY-BRG	Olympic Sculptured Brushed Gold Legs (4 per pkg.)
70008	LEG-OLY-BRN	Olympic Sculptured Brushed Nickel Legs (4 per pkg.)
70003	LEG-CAS-B	Cascade Steel Black Legs (4 per pkg.)
HEAT SHIELD (REQUIRED WITH LEGS)		
71115	WSHS-210	Heat Shield <i>(ref. form #506033-14)</i>
FACEPLATE KITS (INCLUDES FACEPLATE, HANDLE AND NAMEPLATE)		
H7901	ARCH-FPK-BG	Arch Faceplate/Brushed Gold
H7902	TRAD-FPK-BG-SM	Sm - Traditional Faceplate/Brushed Gold
H7904	ARCH-FPK-G	Arch Faceplate/Gold
H7905	TRAD-FPK-G-SM	Traditional Faceplate/Gold
BLOWER		
H7917	BLWR-FSB700-SS	Blower Kit, FS Woodstoves
OUTSIDE AIR KITS		
71111	OUTAIRK-L	Outside Air Kit / Leg <i>(ref. form #506033-18)</i>
71112	OUTAIRK-P	Outside Air Kit / Pedestal <i>(ref. form #506033-17)</i>
MISC.		
71053	Paint Gold (1/2 Pint)	Paint Gold (1/2 pint)
71054	Paint Nickel (1/2 Pint)	Paint Nickel (1/2 pint)
H8159	TSPK-B	Touch-Up Paint , Metallic Black, 12 oz. Aerosol
H5308	W-LEGF-LBRKT	Leg Fastening L - Brackets (4 per pkg.) (Tie down kit to be used in mobile or modular homes) <i>(ref. form #506033-19)</i>

ACCESSORIES - MODELS ST210 AND SWS210

Product Reference Information			
Cat. No.	Description	Ship. Weight	Ship. Volume
H7886	ST210A-B, Stove / Step Top / Arch Black Door / Nickel Nameplate	424 lb.	20.74 cu. ft.
H8404	SWS210, Stove / Step Top / Arch Black Door	424 lb.	20.74 cu. ft.

PEDESTALS (REQUIRED)		
Cat. No.	Model	Description
71113	WL-PED	Pedestal
71114	WL-PED-ASHD	Ash Drawer Pedestal
OR LEGS (REQUIRED)		
70000	LEG-OLY-B	Olympic Sculptured Black Legs (4 per pkg.)
70001	LEG-OLY-G	Olympic Sculptured Gold Legs (4 per pkg.)
70002	LEG-OLY-N	Olympic Sculptured Nickel Legs (4 per pkg.)
70007	LEG-OLY-BRG	Olympic Sculptured Brushed Gold Legs (4 per pkg.)
70008	LEG-OLY-BRN	Olympic Sculptured Brushed Nickel Legs (4 per pkg.)
70003	LEG-CAS-B	Cascade Steel Black Legs (4 per pkg.)
HEAT SHIELD (REQUIRED WITH LEGS)		
71115	WSHS-210	Heat Shield
FACEPLATE KITS (INCLUDES FACEPLATE, HANDLE AND NAMEPLATE)		
H7901	ARCH-FPK-BG	Arch Faceplate/Brushed Gold
H7902	TRAD-FPK-BG-SM	Sm - Traditional Faceplate/Brushed Gold
H7904	ARCH-FPK-G	Arch Faceplate/Gold
H7905	TRAD-FPK-G-SM	Traditional Faceplate/Gold
BLOWER		
H7917	BLWR-FSB700-SS	Blower Kit, FS Woodstoves
OUTSIDE AIR KITS		
71111	OUTAIRK-L	Outside Air Kit / Leg
71112	OUTAIRK-P	Outside Air Kit / Pedestal
MISC.		
71053	Paint Gold (1/2 Pint)	Paint Gold (1/2 pint)
71054	Paint Nickel (1/2 Pint)	Paint Nickel (1/2 pint)
H8159	TSPK-B	Touch-Up Paint , Metallic Black, 12 oz. Aerosol
H5308	W-LEGF-LBRKT	Leg Fastening L - Brackets (4 per pkg.) (Tie down kit to be used in mobile or modular homes) <i>(ref. form #506033-18)</i>