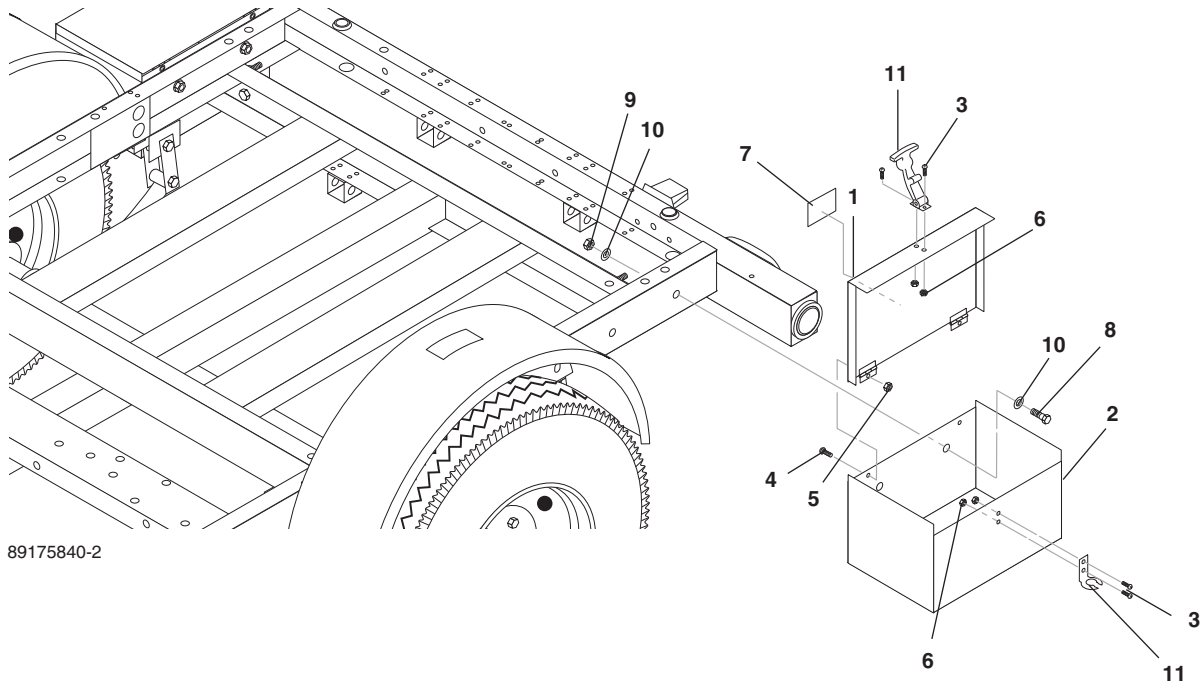


# INSTALLATION INSTRUCTIONS



89175840-2

## Saddle Box Kit Assembly and Installation Instructions # 8.917-558.0

### Step 1:

Attach keeper (item 11) to box (item 2) using 6-32 screw (item 3) and 6-32 nut (item 6).

### Step 2:

Attach handle (item 11) to lid (item 1) using 6-32 screw (item 3) and 6-32 nut (item 6).

### Step 3:

Attach lid (item 1) to box (item 2) using 10-32 screw (item 4) and 10-32 nut (item 9).

### Step 4:

Attach assembled box to trailer using 3/8" bolt (item 8), 3/8" washer (item 10), and 3/8" nut (item 9).

### Step 5:

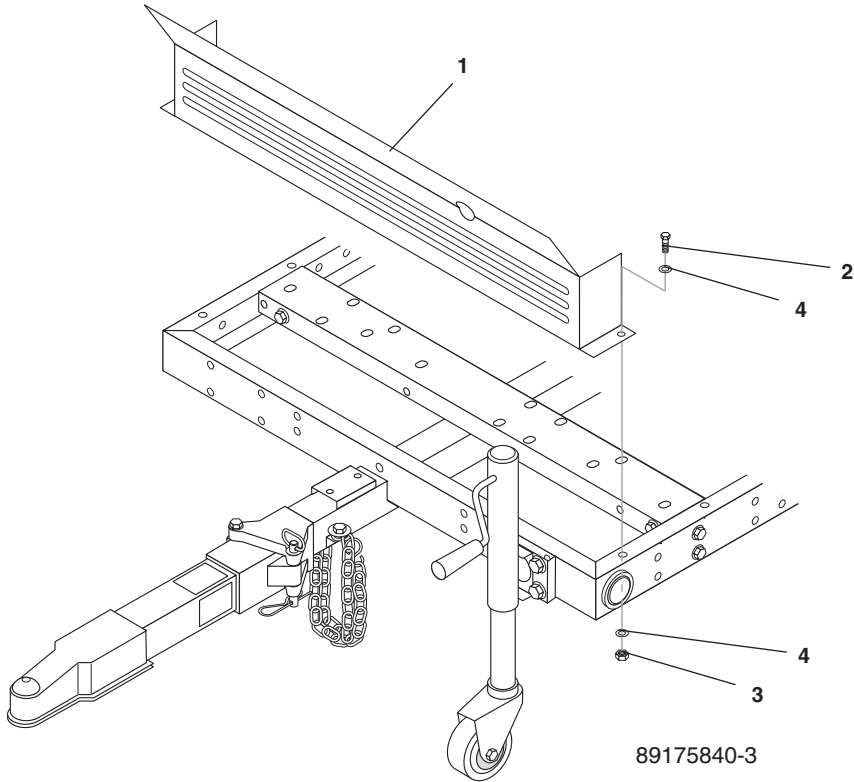
Affix Do Not Stand or Step label (item 7) to outside of box assembly.

### Tools Required:

- 9/16" Socket or wrench
- Phillips head screwdriver
- Flat head screwdriver
- 5/16" Socket or wrench
- 3/8" Socket or wrench

ITEM	PART NO.	DESCRIPTION	QTY
1	8.917-308.0	Wlmt, Lid, Trailer Storage Box	1
2	8.917-342.0	Box, Trailer Storage	1
3	8.718-739.0	Screw, 6/32" x 3/8", PL M SLTD TRH	4
4	8.718-760.0	Screw, 10/32" x 5/8" PHIL PAN, SS	2
5	9.802-696.0	Nut, 10/32" NF ST ST KEP	2
6	9.802-779.0	Nut, 6-32 KEPS	4
7	8.900-522.0	Label, Do Not Stand or Step	1
8	9.802-722.0	Bolt, 3/8" x 1-1/4", NC HH	4
9	9.802-779.0	Nut 3/8", ESNA	2
10	9.802-807.0	Washer, 3/8" Flat	4
11	8.706-568.0	Handle, Rubber T, w/Keeper	1

# INSTALLATION INSTRUCTIONS



## Rock Guard Kit Assembly and Installation Instructions # 8.917-559.0

**Step 1:**

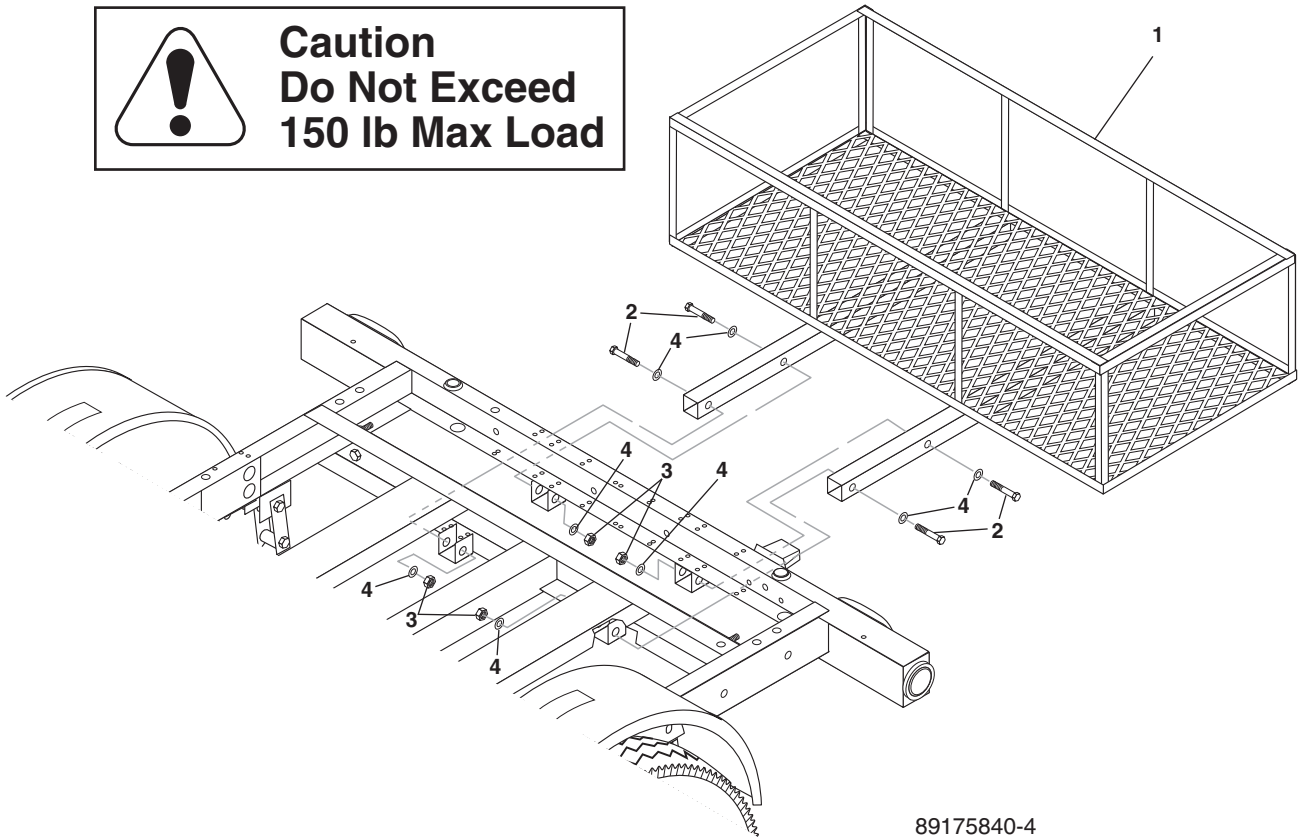
Attach rock guard (item 1) to trailer using 3/8" bolt (item 2), 3/8" nut, and 3/8" washer (item 4).

**Tools Required:**

9/16" Socket or wrench

ITEM	PART NO.	DESCRIPTION	QTY
1	8.917-528.0	Shield, Rock	1
2	9.802-730.0	Bolt, 3/8" x 2-1/2" 5, Zinc	4
3	9.802-799.0	Nut, 3/8", ESNA	2
4	9.802-807.0	Washer, 3/8" Flat	4

# INSTALLATION INSTRUCTIONS



89175840-4

## Utility Rack Kit Assembly and Installation Instructions # 8.917-560.0

**Step 1:**

Slide mounting arms of the utility rack into dual receiver brackets at back of trailer until mounting holes are aligned.

**Step 2:**

Attach utility rack (item 1) to trailer using 3/8" bolt (item 2), 3/8" nut (item 3), and 3/8" washer (item 4).

**Tools Required:**

9/16" Socket or wrench

ITEM	PART NO.	DESCRIPTION	QTY
1	8.917-307.0	WLMT, Rack, Utility	1
2	9.802-730.0	Bolt, 3/8" x 2-1/2", GR 5 Zinc	4
3	9.802-779.0	Nut, 3/8", ESNA	4
4	9.802-807.0	Washer, 3/8" Flat	8