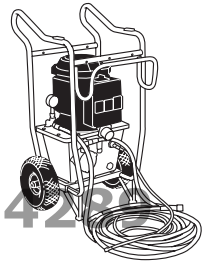


DIMAS

ConstructionParts.com

888-634-4289



IPL, DIMAS PP 325 E, 2004-43, 531 14 12-49

DIMAS PP 325 E

Reservdelar

Spare parts

Ersatzteile

Pieces de rechange

Piezas de repuesto

Ricambi

Peças
sobresselente

ConstructionParts.com

ConstructionParts.com
From machine number: 2549

888-634-4289

531 14 12-49

DIMAS

No.	Pos.	Description	No.	Pos.	Description
531 11 50-14	B	Cooler compl.	531 11 82-78	C	Pump 2012 (60Hz)
531 11 50-66	D3	Electric box compl. 230/400V	531 11 82-79	C	Pump 2014 (50Hz)
531 11 50-91	D1	Electric box	531 11 90-01	B	Cooler
531 11 51-11	D3	Electric box compl. 600V US/CAN	531 11 90-07	A	Wheel
531 11 51-12	D3	Electric box compl. 440V US/CAN	531 11 90-08	D1-2-3	Ventilation hose
531 11 51-33	D3	Electric box compl. 230V US/CAN	531 11 90-14	B	Hose clamp
531 11 51-58	D2	Electric box	531 11 90-15	B	Hose clamp
531 11 51-66	B	Return hose compl.	531 11 90-16	A	Pop nut
531 11 51-68	C	Shaft coupling	531 11 90-17	B	O-ring 1240x6
531 11 51-70	E	Hose set compl. with couplings	531 11 90-18	D1-2-3	Spacer
531 11 51-74	D3	Electric box compl. 200V JAP	531 11 90-30	D1-2-3	Filter
531 11 51-84	C	Pressure pipe (50Hz)	531 11 90-31	A	Washer 13x36
531 11 51-86	C	Pressure pipe (60Hz)	531 11 91-53	A	Plastic plug
531 11 70-08	D3	Switch Y-D 400-600V	531 11 91-81	AC	Washer 10,5x22
531 11 70-10	D3	Extension socket 200-230V	531 11 91-83	C	Washer 13x24x2
531 11 70-23	D3	Contacto 230V	531 11 91-85	BCE	Sealing ring 1/2"
531 11 70-36	D1-2-3	Din rail	531 11 91-86	C	Sealing ring M22
531 11 70-68	D3	Contacto 230/400V	531 11 91-87	B	Sealing ring M26
531 11 70-73	D1-2-3	Relay holder	531 11 91-97	A	Screw M6S 10x16
531 11 70-74	D1-2-3	Over current relay	531 11 91-99	C	Screw M6S 10x30
531 11 71-38	D3	Switch Y-D 200-230V	531 11 92-02	A	Screw M6S 12x25
531 11 71-48	D1-2-3	Electric inlet 16A 400V	531 11 92-07	C	Screw M6S 12x45
531 11 71-50	D3	Electric inlet 32A 200-230V	531 11 92-10	BC	Screw M6S 6x12
531 11 71-55	D1	Plug connection 220V	531 11 92-19	B	Screw M6S 8x30
531 11 71-67	D1	Cover cpl	531 11 92-24	C	Screw M6SF 8x20
531 11 71-82	D1-2-3	Emergency shutdown	531 11 92-93	C	O-ring 80x1,6
531 11 71-84	D3	Contacto 200V	531 11 92-94	B	O-ring 90x5,3
531 11 71-86	D1-2-3	Indicator lamp	531 11 92-95	B	O-ring 98,02x3,53
531 11 71-87	D1-2-3	Lamp lens	531 11 93-40	BC	Plug
531 11 71-99	D3	Extension socket 400-440V	531 14 10-59	B	Tank
531 11 72-05	D1-2-3	Contact breaker	531 14 10-61	C	Tank cover
531 11 72-08	D1	Personal safety guard	531 14 10-68	B	Bulkhead coupling
531 11 72-09	C	Electric motor 9,2 kW 400V	531 14 10-99	D1-2-3	Phase indicator
531 11 72-10	C	Electric motor 9,2 kW 230V	531 14 11-21	D1	Fuse socket
531 11 72-15	D1-2	Switch	531 14 11-22	D1	Hinge
531 11 72-16	D1-2	Softstart	531 14 11-33	A	Hose holder
531 11 72-17	D1	Relay	531 14 11-37	A	Carriage
531 11 72-18	D1	Relay holder	531 14 11-50	D1	Gasket
531 11 72-33	C	Electric motor 9,2 kW 600V	531 14 11-59	C	Valve plate
531 11 72-34	D3	Contacto 600V	531 14 11-66	B	Cooler flange
531 11 72-35	D3	Contacto 440V	531 14 11-67	C	Nipple
531 11 72-36	D3	Electric inlet 16A 600V	531 14 11-68	D1-2-3	Ventilation nipple
531 11 72-37	D3	Extension socket 600V	531 14 11-71	D1-2-3	Electric inlet mounting
531 11 72-38	D3	Fuse holder 600V	531 14 11-79	D1-2-3	Base sealing
531 11 72-39	D3	Fuse 10A 600V	531 14 11-85	E	Electric plate EUR 400V
531 11 72-74	C	Electric motor 9,2 kW 200V	531 14 11-86	E	Electric plate NOR 230V
531 11 72-86	D2	Relay	531 14 11-87	E	Type plate
531 11 72-87	D2	Relay holder	531 14 12-00	D2-3	Cover cpl
531 11 80-03	BE	Quick coupling	531 14 12-05	E	Sign flash
531 11 80-05	B	Hose coupling	531 14 12-06	C	Decal rotation
531 11 80-06	B	Quick coupling	531 14 12-11	E	Plate drain cooler
531 11 80-28	B	Coupling	531 14 12-20	E	Electric plate JAP 200V 50Hz
531 11 80-30	E	Swivel	531 14 12-21	E	Electric plate JAP 200V 60Hz
531 11 80-34	E	Coupling	531 14 12-24	D1	Cover cpl
531 11 80-35	C	Coupling	722 78 25-03	D1	Blind rivet
531 11 80-49	BE	Quick coupling	723 12 20-01	D1-2-3	Screw MCS 3x6
531 11 80-50	CE	Quick coupling	723 12 87-01	D1	Screw MCS 4x8
531 11 80-51	B	Level gauge	723 12 93-01	D1-2-3	Screw MCS 4x16
531 11 80-56	C	Coupling	723 13 25-01	D1-2-3	Screw MCS 5x10
531 11 80-65	C	Coupling	723 13 29-01	D1-2-3	Screw MCS 5x16
531 11 80-70	C	Coupling	723 13 31-01	D1-2-3	Screw MCS 5x20
531 11 80-82	C	Valve	723 52 22-01	D1-2-3	Screw MFS 3x8
531 11 80-91	C	Manometer	723 52 92-01	D1	Screw MFS 4x14
531 11 80-98	C	Coupling	723 53 25-01	D1-2-3	Screw MFS 5x10
531 11 81-49	B	Filter housing	725 23 80-51	C	Screw M6S 6x50
531 11 81-61	B	Coupling	725 63 78-51	A	Screw MF6S 6x40
531 11 81-63	BC	Hydraulic hose	731 23 12-01	D1	Nut M4
531 11 81-76	B	Nut	731 23 14-01	D1-2-3	Nut M5
531 11 82-49	B	Filter insert	731 23 18-01	B	Nut M8
531 11 82-72	E	Hose set without couplings	731 23 20-01	C	Nut M10

No.	Pos.	Description	No.	Pos.	Description
731 23 22-01	C	Nut M12			
732 25 16-01	B	Nut M6 nylock			
734 11 35-71	D1	Washer 4,3x8			
734 11 46-01	D1-2-3	Washer 5,3x10			
734 11 52-01	BC	Washer 6,4x12			
734 11 63-01	B	Washer 8,4x16			
740 38 08-01	C	Sealing ring M6			
740 38 18-01	C	Sealing ring 1/8"			
740 38 34-01	BE	Sealing ring 3/8"			
740 43 14-00	C	O-ring 16,3x2,4			

ConstructionParts.com

888-634-4289

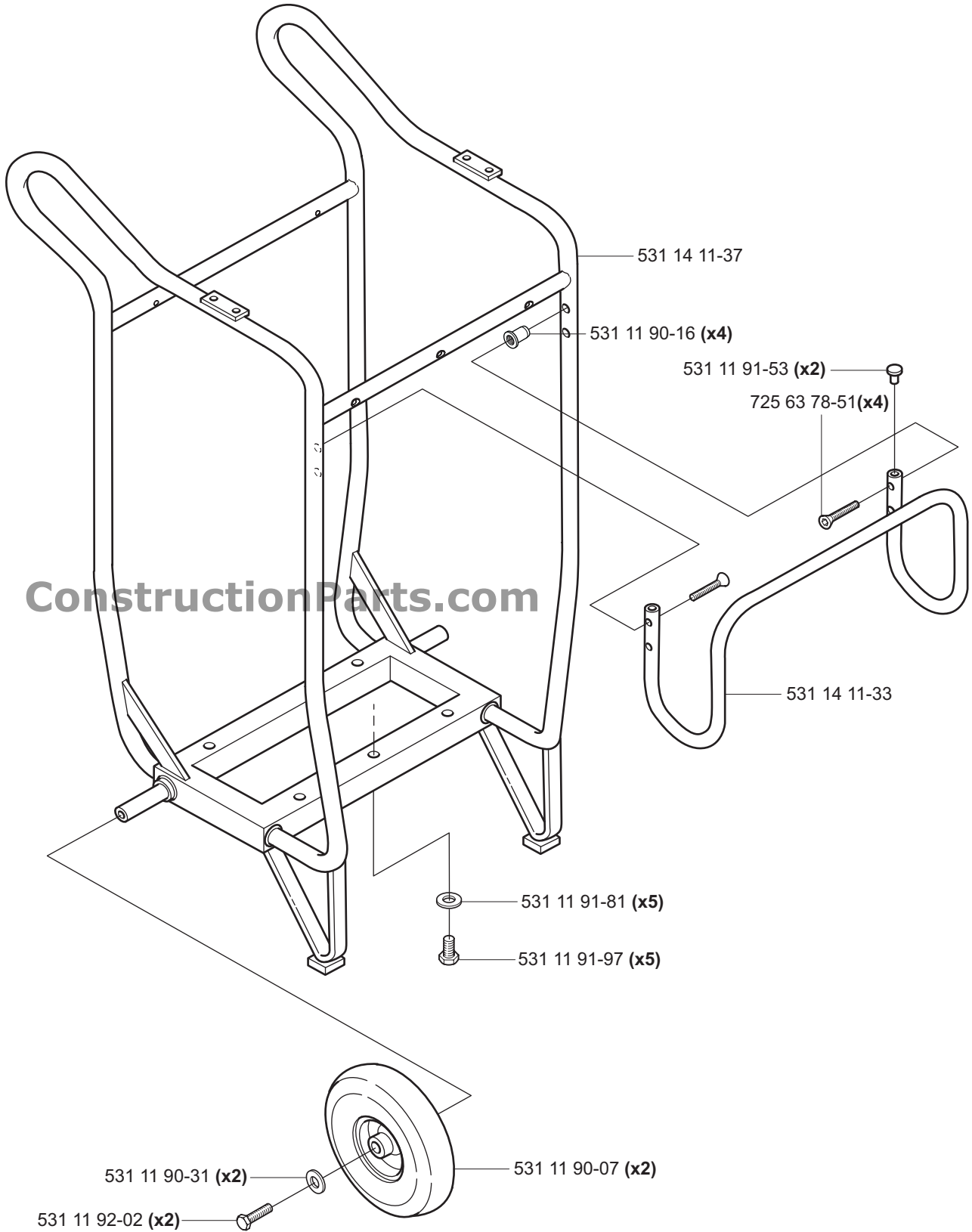
ConstructionParts.com

888-634-4289

A

ConstructionParts.com

888-634-4289



ConstructionParts.com

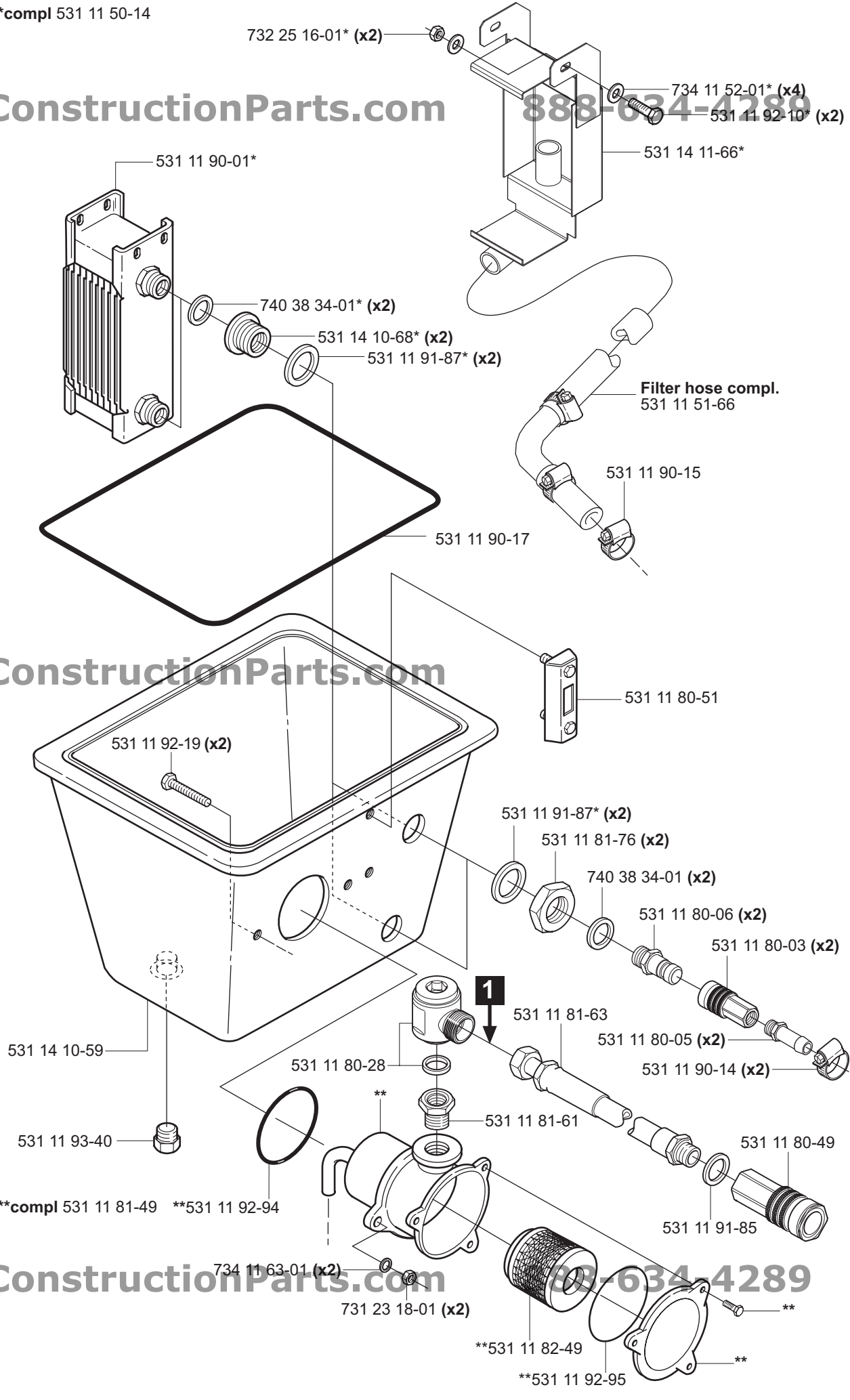
ConstructionParts.com

888-634-4289

B *compl 531 11 50-14

ConstructionParts.com

888-634-4289



ConstructionParts.com

ConstructionParts.com

888-634-4289

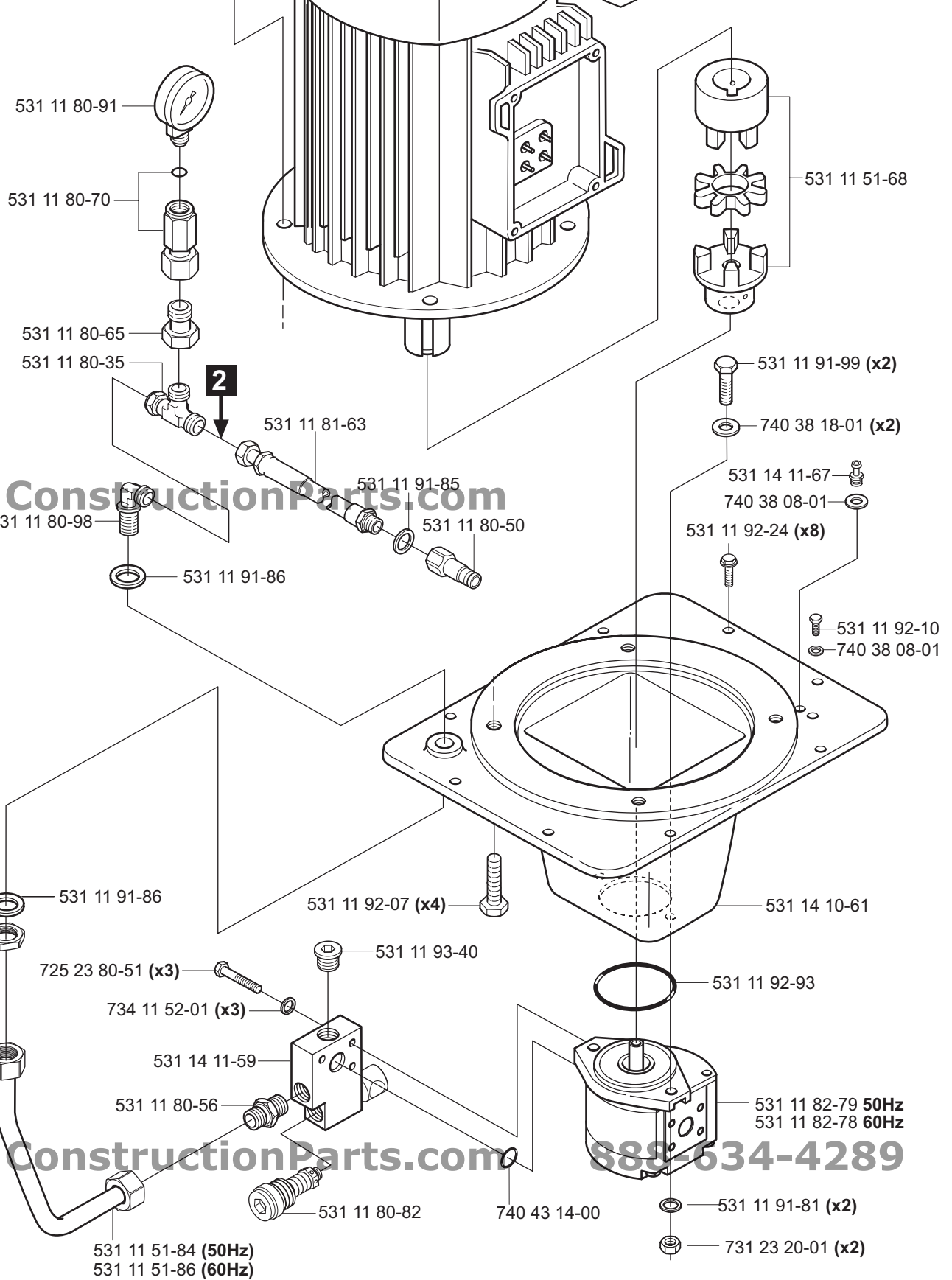
C

ConstructionParts.com

888-634-4289

- 531 11 72-33 (600V)
- 531 11 72-09 (400V-440V)
- 531 11 72-10 (230V)
- 531 11 72-74 (200V)

- 731 23 22-01 (x4)
- 531 11 91-83 (x4)



ConstructionParts.com

ConstructionParts.com

888-634-4289

- 531 11 51-84 (50Hz)
- 531 11 51-86 (60Hz)

- 531 11 82-79 50Hz
- 531 11 82-78 60Hz

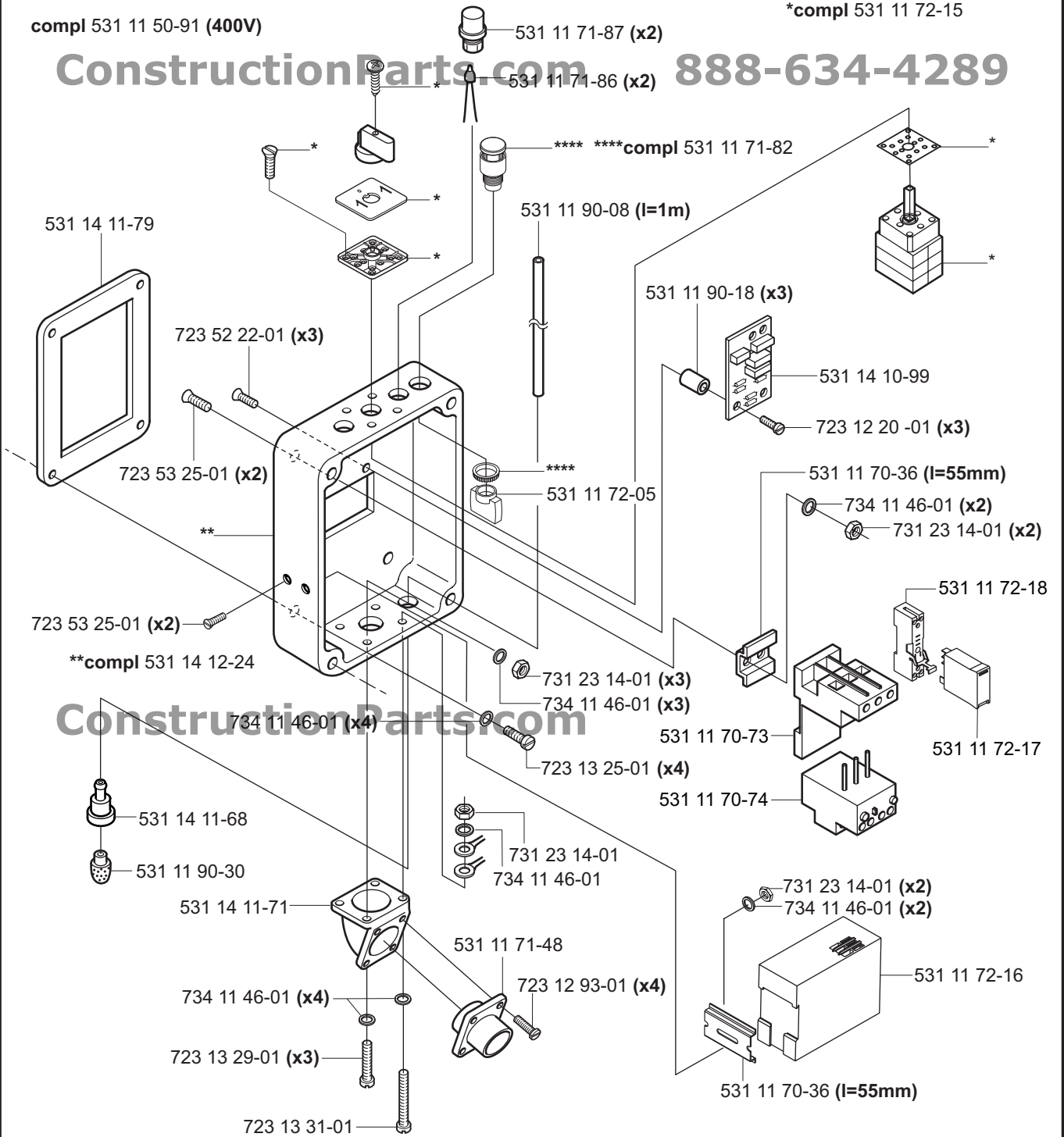
- 531 11 91-81 (x2)
- 731 23 20-01 (x2)

D1 Electric box complete SOFTSTART WITH NEUTRAL, WITH ONE PHASE OUTLETS

compl 531 11 50-91 (400V)

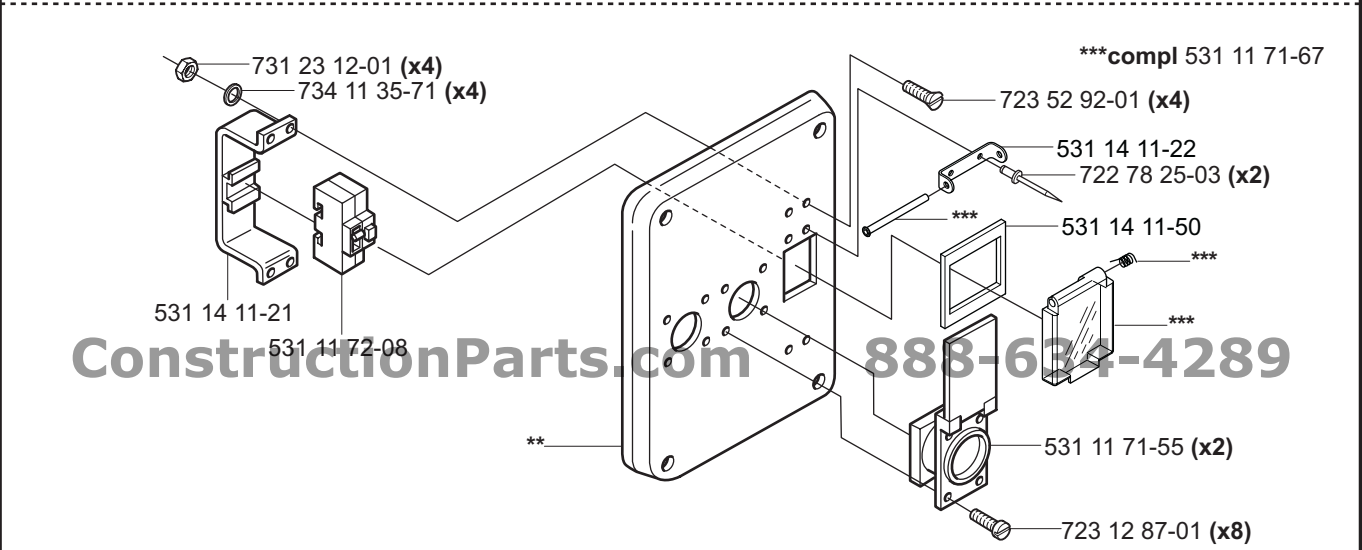
*compl 531 11 72-15

ConstructionParts.com 888-634-4289



ConstructionParts.com

ConstructionParts.com 888-634-4289



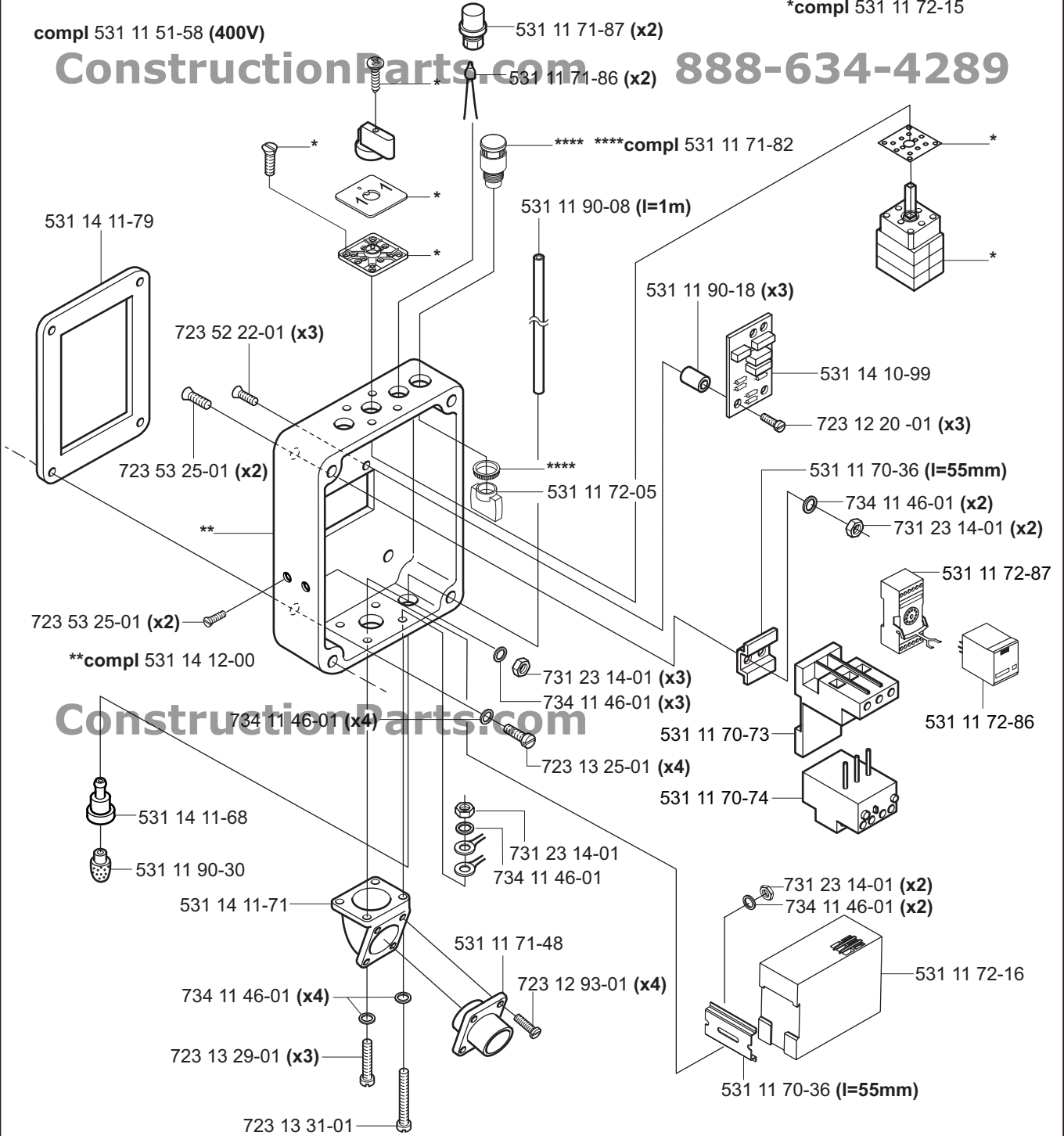
***compl 531 11 71-67

D2 Electric box complete SOFTSTART WITHOUT NEUTRAL, WITHOUT ONE PHASE OUTLETS

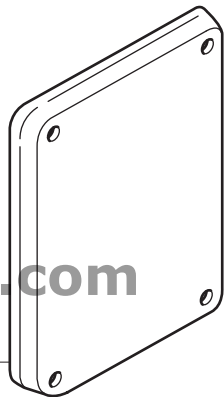
compl 531 11 51-58 (400V)

*compl 531 11 72-15

ConstructionParts.com 888-634-4289



ConstructionParts.com 888-634-4289



**

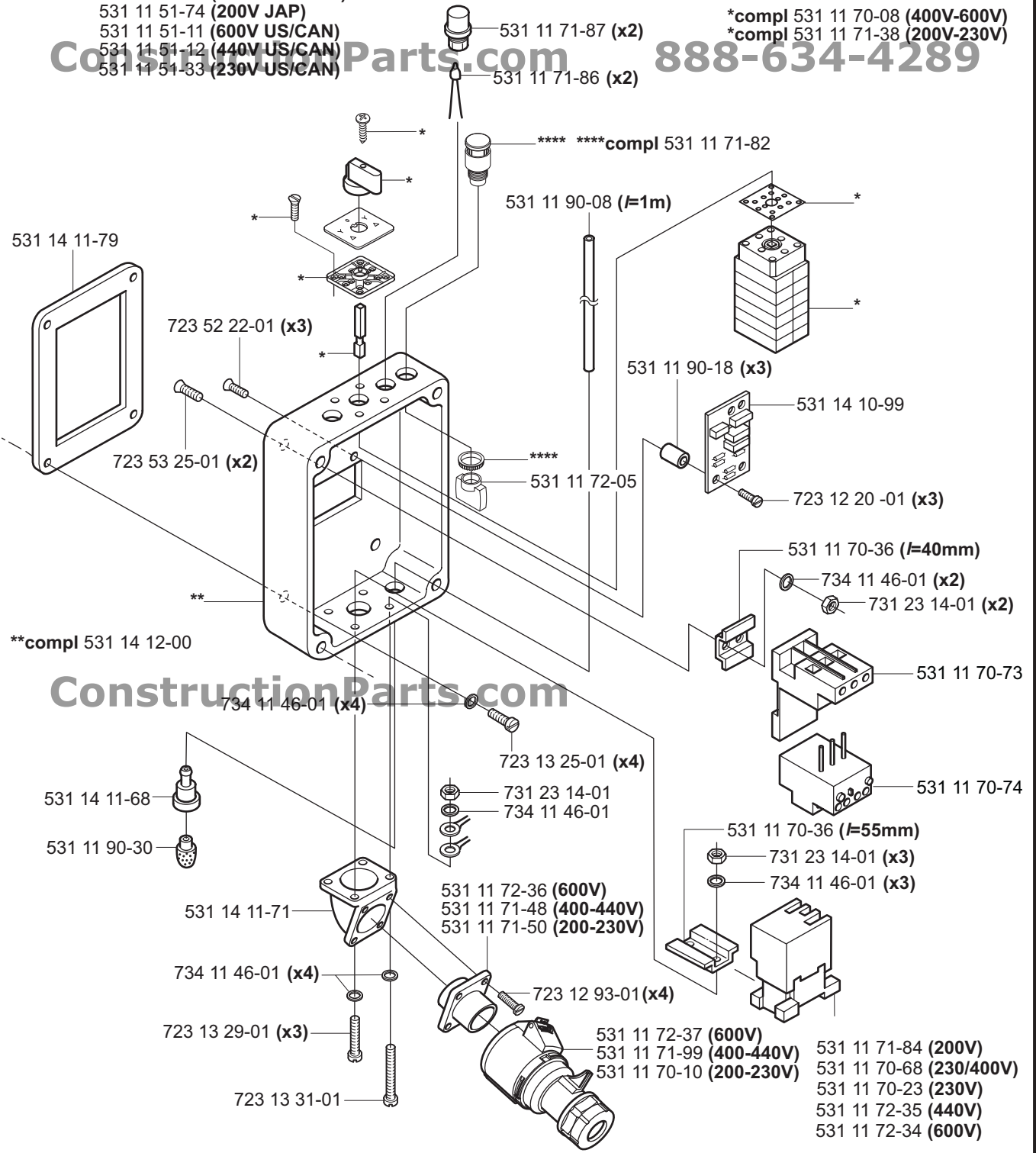
D3

Electric box complete Y-D START

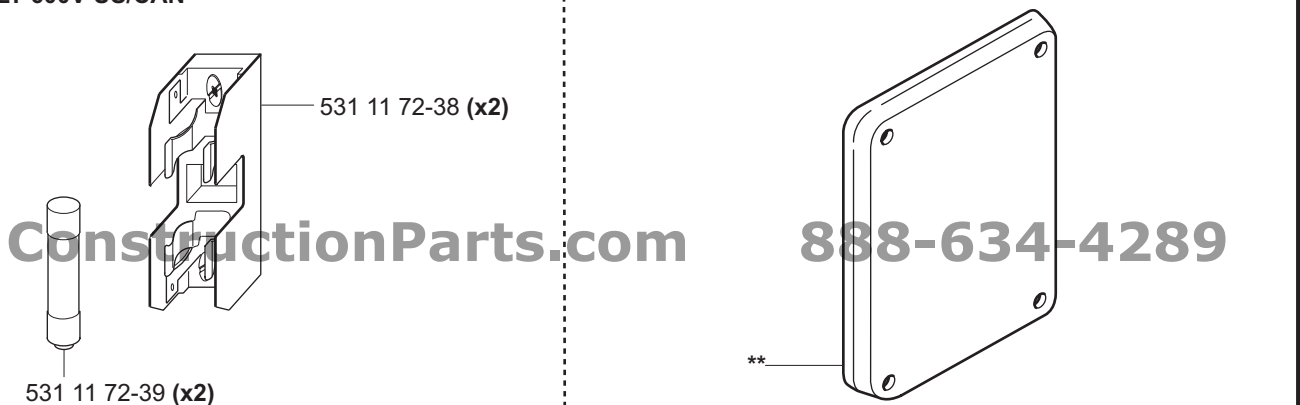
- 531 11 50-66 (230/400V NOR)
- 531 11 51-74 (200V JAP)
- 531 11 51-11 (600V US/CAN)
- 531 11 51-12 (440V US/CAN)
- 531 11 51-33 (230V US/CAN)

- *compl 531 11 70-08 (400V-600V)
- *compl 531 11 71-38 (200V-230V)

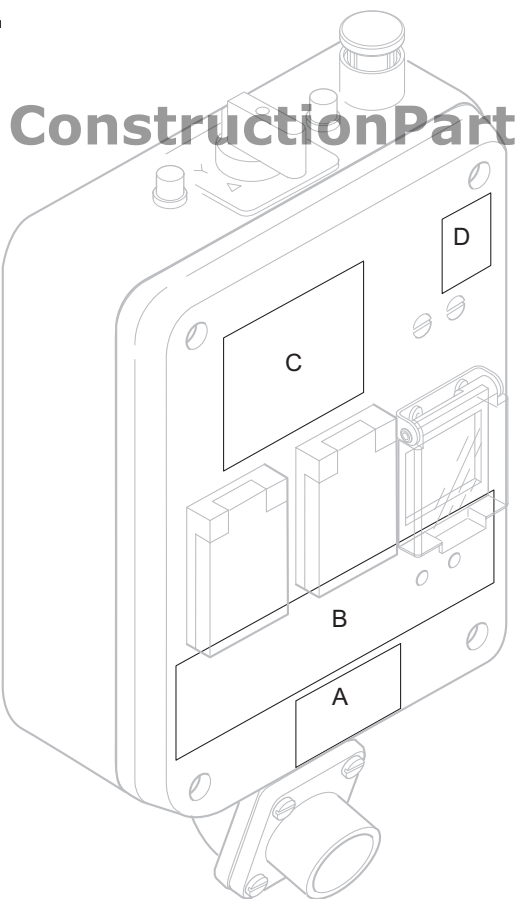
ConstructionParts.com 888-634-4289



ONLY 600V US/CAN



E



ConstructionParts.com

888-634-4289



531 14 12-05

531 14 11-87

MADE IN SWEDEN BY

DIMAS AB

SE-690 45 ASBRO

TYPE

No	MAX	L/min
CE	MAX	BAR

B

Dränera kylaren vid frysrisk!
 Drain the radiator to avoid freezing!
 Bei Frostgefahr unbedingt das Wasser aus dem Oelkuhler ablassen!

A

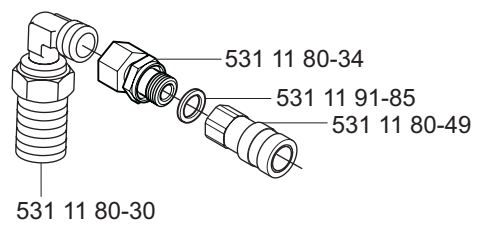
3 x 380-420V
 16A 50Hz

531 14 12-11

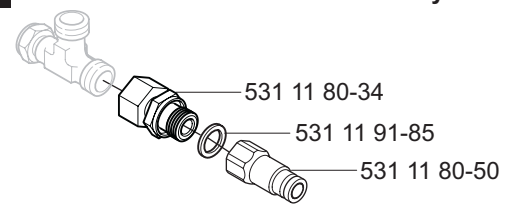
- 531 14 11-85 (STD)
- 531 14 11-86 (N)
- 531 14 12-20 (JAP 50Hz)
- 531 14 12-21 (JAP 60Hz)

ConstructionParts.com

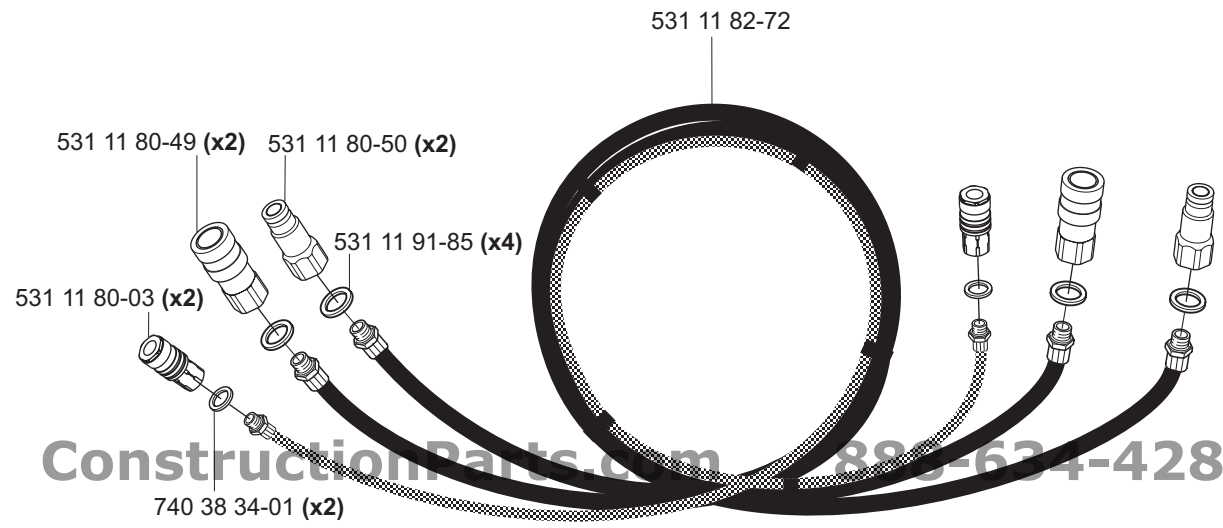
1 Only US/CAN/JAP



2 Only US/CAN/JAP



Only US/CAN/JAP



ConstructionParts.com

888-634-4289

Hose set complete 531 11 51-70