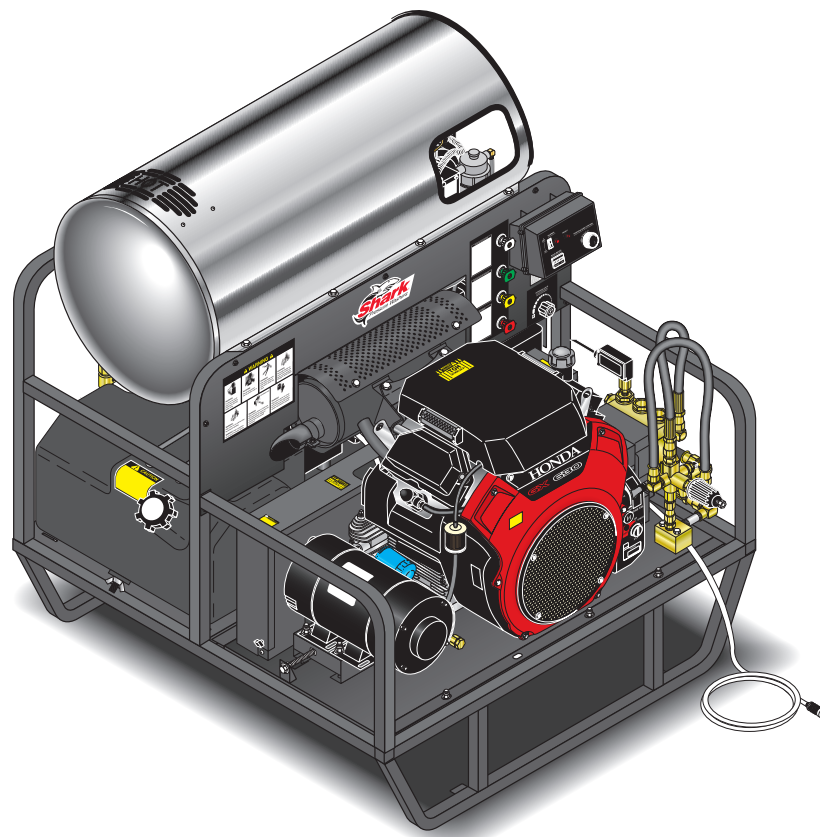




SSG

OPERATOR'S MANUAL

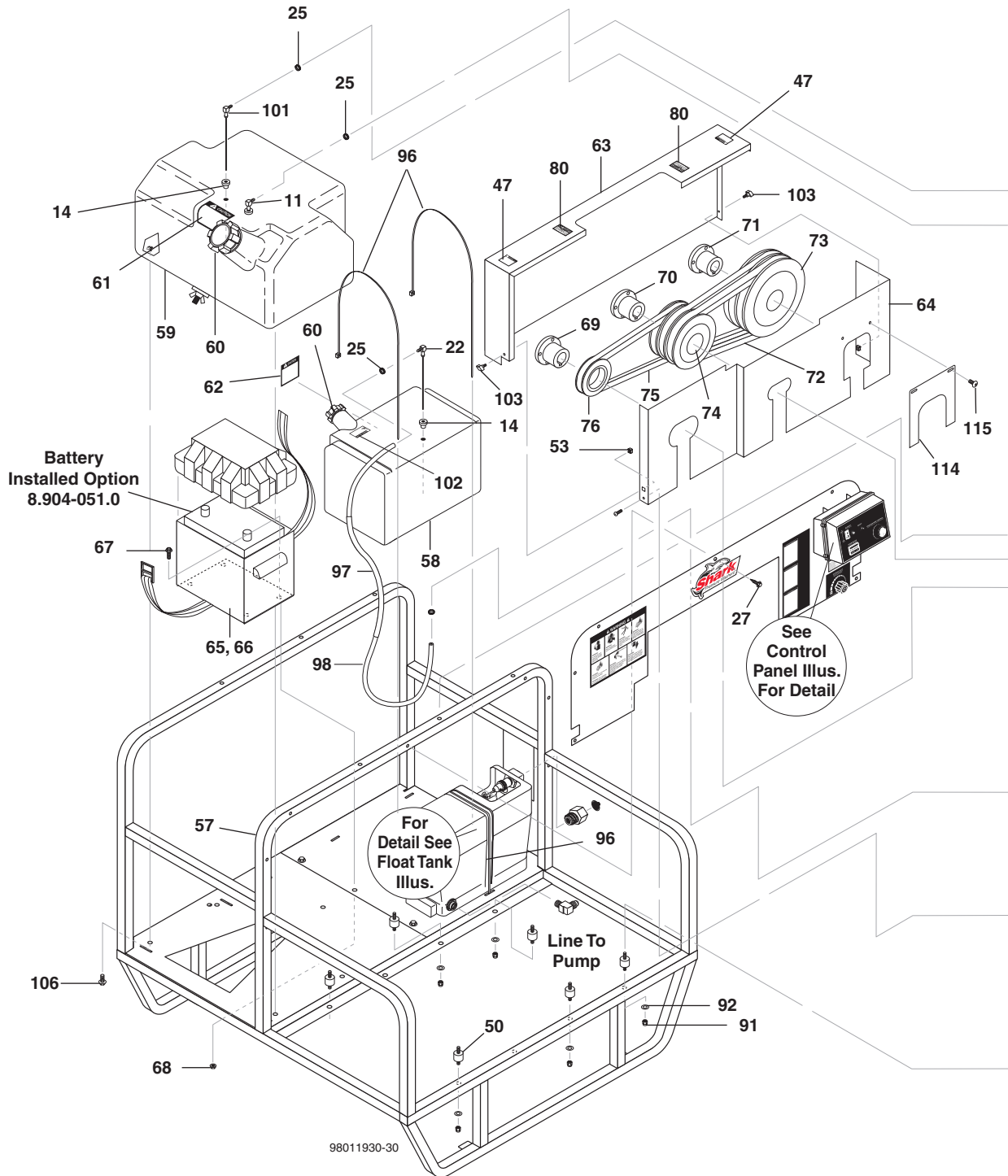


98011930-1



<u>MODEL #</u>	<u>ORDER #</u>	<u>MODEL #</u>	<u>ORDER #</u>
SSG-403037E	1.110-579.0	SSG-503537E/G	1.110-583.0
SSG-503027E	1.110-580.0	SSG-603537E	1.110-584.0
SSG-503027E/G	1.110-581.0	SSG-603537E/G	1.110-585.0
SSG-503537E	1.110-582.0		

EXPLODED VIEW



EXPLODED VIEW PARTS LIST

ITEM	PART NO.	DESCRIPTION	QTY
1	9.803-014.0	Coil, Rodless	1
2	9.803-005.0	Top Wrap, SS	1
	9.802-071.0	▲ Trim	6 ft.
3	9.802-902.0	Insulation/Blanket, Die Cut 28" x 24"	1
4	9.802-896.0	Insulation/Blanket, No Foil, 24" x 57"	1
5	9.802-883.0	Insulation, Burner Head, No Hole	1
6	9.803-006.0	Weldment, Bottom Wrap, SS	1
	9.802-727.0	▲ Bolt, 3/8" - 16 x 1-3/4"	2
7	9.802-894.0	Insulation, Burner Head, w/Hole	1
8	9.802-766.0	Screw, 3/8" x 1" HX Wash Head, Sheet Metal	8
9	8.933-009.0	Gasket, Burner Plate	2
10	9.803-132.0	Plate, Insulation Retainer	2
	9.802-797.0	▲ Screw, SS #10, HH Tek	8
11	9.802-054.0	Elbow, Zinc	1
12	8.706-140.0	Coupling, 1/2"	1
13	8.918-428.0	Hose 3/8" x 48", 2 Wire Pressure	1
14	9.802-053.0	Bushing, Rubber (579.0) (583.0,582.0, 584.0,585.0)	2 3
15	9.802-869.0	Block, Unloader, 1/2" x 1/2", Brass	1
16	8.902-433.0	Valve, Relief VSA	1
17	9.149-003.0	Discharge Manifold	1
18	9.802-014.0	Nipple, Pipe 1/2" x 3" Sch 80	1
19	9.802-171.0	Nipple, 3/8" x 3/8" NPT, Male	1
20	9.803-013.0	Rail, Pump	1
21	8.711-785.0	Hose, 3/8" Push-On	2 ft
22	9.803-531.0	Diptube, Plastic,10.00" Long (580.0, 581.0, 582.0, 583.0, 584.0, 585.0)	1
23	8.725-306.0	Filter, Fuel Oil/H ₂ O Separator	1
25	6.390-126.0	Clamp, Hose	8
26	8.706-941.0	Hose Barb, 1/4" Barb x 1/4" Pipe	1
27	9.802-799.0	Screw, #14 Tek, Black, Zinc	11
28		Pump, See Specification Pages	
29	8.750-299.0	Unloader VRT3, 8 GPM @ 4500 PSI	1
30	9.802-039.0	Elbow, 1/2" JIC x 3/8" NPT Steel	3
31	8.707-254.0	Pump Protector, 3/8" FNPT	1
32	8.918-421.0	Hose, Pressure, 3/8" x 16"	1
33	9.802-261.0	Hose, 3/4" Push On	17"
34	9.802-261.0	Hose, 3/4" Push On	2 ft.
35	9.802-151.0	Swivel, 1/2" JIC, Push On	4

ITEM	PART NO.	DESCRIPTION	QTY
	9.802-099.0	▲ Washer, Snubbing	3
	9.802-720.0	▲ Bolt, 3/8 x 1" NC HH	3
	9.802-814.0	▲ Washer, 3/8" Lock Split Ring	3
36	9.803-050.0	Tee, 1/2" Street w/2 1/8" MPT Holes	1
37	9.800-026.0	Label, Open for Steam	1
38	9.802-131.0	Elbow, 1/2" JIC x 1/2" MPT	1
39	9.802-129.0	Elbow, 1/2" x 3/8, 90°	1
40	9.802-036.0	Nipple, 1/2" JIC x 3/8" MPT Steel	1
41	9.802-048.0	Swivel, 1/2" JIC Female, 3/8" Male	1
42	9.802-038.0	Nipple, 1/2" JIC, 1/2" Pipe	1
43	9.802-126.0	Plug, 1/2" Flare (All Models Except 579.0)	1
	9.802-125.0	Plug, 1/4" MJIC (579.0)	1
44		Engine, See Specification Pages	
45	8.750-467.0	Muffler, Honda, GX630/ GX660,Right	1
	8.739-597.0	▲ Bolt, Flange, M8 x 20	2
	9.802-672.0	▲ Muffler (Vanguard)	1
	9.802-830.0	▲ Screw, HH, 1/4" - 20 x 1/2" (Vanguard)	4
46	9.803-008.0	Heat Shield (Honda)	1
	9.802-761.0	▲ Screw, M6 x 20mm, BH (Honda)	4
	8.915-387.0	Deflector, Exhaust 1-3/8" (Honda)	1
	9.802-798.0	▲ Screw, #10 - 1/2" Tek, HH, SS (Honda, 1-3/8" Deflector)	1
	9.802-754.0	▲ Screw, HH, WL, 1/4" - 20 x 1/2" (Vanguard)	5
	9.802-867.0	▲ Muffler Guard (Vanguard)	1
	9.802-868.0	▲ Brace (Vanguard)	2
	9.803-011.0	▲ Shield, Heat (Vanguard)	1
	9.802-775.0	▲ Nut, 1/4" Flange, Zinc (Vanguard)	3
	9.802-794.0	▲ Nut, Cage, 1/4" x 12 Gauge (Vanguard)	2
	9.802-673.0	▲ Key, Shaft	1
47	9.800-007.0	Label, Warning, Exposed Pulleys (Long) (Short)	2 1
48	9.803-004.0	Pump/Rail Generator	1
	9.802-720.0	▲ Bolt, 3/8" x 1", NC HH (w/Generator)	7
	9.802-099.0	▲ Washer, Snubbing (w/Generator)	3
	9.802-814.0	▲ Washer, 3/8", Lock (w/Generator)	3

EXPLODED VIEW PARTS LIST

ITEM	PART NO.	DESCRIPTION	QTY	ITEM	PART NO.	DESCRIPTION	QTY
49	9.803-009.0	Bracket, Belt Tension (w/Generator)	1 2	64	9.803-000.0	Weldment, Face Plate, Long, Black (581.0,583.0, 584.0 - w/Gen)	1
	9.802-776.0	▲ Nut, 5/16", ESNA, NC (w/Generator)	2 4		9.803-002.0	▲ Weldment, Face Plate, Short, Black (579.0, 580.0, 582.0, 584.0)	1
	9.802-710.0	▲ Bolt, 5/16", NC 2 (w/Generator)	4	65	9.802-077.0	Battery Box, Large	1
	9.802-804.0	Washer, 5/16", Flat (w/Generator)	2 4	66	9.802-076.0	Plate, Battery Box, Large	1
50	9.802-060.0	Mount, Rubber	6	67	9.802-767.0	Screw, 3/8" x 3/4" HH NC Whiz Loc	4
51	9.802-733.0	Bolt, 3/8" x 3-1/2" SAE (w/Generator)	1 2	68	9.802-781.0	Nut, 3/8", Flange Whiz Loc	7
	9.802-789.0	▲ Nut, 3/8" Hex, NC 2 (w/Generator)	4	69	9.802-397.0	Bushing, H x 5/8" (Generator)	1
	9.802-807.0	▲ Washer, 3/8", SAE, Flat (w/Generator)	2 4	70	Engine Bushing, See Specification Pages		
52	9.802-872.0	Tab, Belt Guard3 (w/Generator)	4	71	9.802-402.0	Bushing, Pump, H x 24 mm	1
	9.802-753.0	▲ Screw, HH, NC, 1/4" x 3/4" (w/Generator)	6 7	72	Belt, See Specification Pages		
53	9.802-794.0	Cage, Nut, 1/4" x 12 Gauge (w/Generator)	10 11	73	Pulley, See Specification Pages		
	9.802-728.0	Bolt, 3/8" x 2" NC HH (Honda)	4	74	Pulley, See Specification Pages		
54	9.802-716.0	Bolt, 5/16" x 2" NC, HH (Vanguard)	4	75	Belt, See Specification Pages		
	9.802-807.0	▲ Washer, 3/8" SAE, Flat (Honda)	9	76	Pulley, See Specification Pages		
	9.802-779.0	▲ Nut, 3/8" ESNA, NC (Honda)	4	77	Burner Assembly, See Burner Specification Page		
	9.802-776.0	▲ Nut, 5/16" ESNA, NC (Vanguard)	4	9.802-424.0	▲ Cord, SEO, 16/4 (581.0, 583.0, 585.0 - w/Gen)	3.66 ft.	
	9.802-804.0	▲ Washer, 5/16" Flat, SAE (Vanguard)	9	9.802-519.0	▲ Strain Relief, 1/2" (581.0, 583.0, 584.0 - w/Gen)	1	
	9.802-527.0	Winco Generator (E/G models)	1	78	8.706-955.0	Hose Barb, 90°, 1/4" x 1/8" NPT	2
	9.802-435.0	▲ Cord, Molded (w/Generator)	1	79	9.802-039.0	Elbow, 1/2" MJIC x 3/8" MNPT (580.0, 581.0)	1
56	9.802-999.0	Weldment, Sub-Frame	1	9.802-154.0	▲ Plug, Push-On, Oil Drain (579.0)	1	
57	9.802-998.0	Weldment, Frame, Black	1	80	9.800-006.0	Label, HOT (Long Belt Guard) (Short Belt Guard)	2 1
58	9.802-081.0	Fuel Tank, 6 Gallon (Engine) (All Models Except 579.0)	1	81	9.802-043.0	Elbow, 1/2" FNPT x 1/2" MJIC, 90°	1
59	8.706-615.0	Fuel Tank, 8 Gallon (Burner)	1	82	9.802-024.0	Elbow, Street, 1/2" x 3/4"	1
60	9.802-089.0	Cap, Fuel, Plastic	2	83	9.802-203.0	Clamp, 1/2" Ro-Clip (580.0, 581.0,582.0, 583.0, 584.0, 585.0)	1
61	8.932-960.0	Label,Diesel	1	84	9.802-254.0	Hose, 1/4" Push-on	2 ft
62	9.800-001.0	Label, Caution, Unleaded	1	85	9.802-187.0	Valve, Flow Control w/Metering	1
63	9.803-251.0	Weldment, Belt Guard, Long, Black (581.0, 583.0, 584.0 - w/Gen)	1	86	9.802-254.0	Hose, 1/4" Push-On, Fuel Line (60")	2
	9.803-001.0	▲ Weldment, Belt Guard, Short, Black (580.0, 582.0, 584.0)	1	87	9.802-151.0	Swivel, 1/2" JIC Female All Except 579.0	1
	9.803-015.0	Weldment, Belt Guard, Short, Black, w/o Relief (579.0)	1	88	9.802-153.0	Swivel, 1/4" JIC Female (579.0)	1
				89	9.802-013.0	Nipple, 1/2" x 2-1/2", Galvanized SCH 80 Pipe	1
				90	8.933-006.0	Switch, MV60	1
				91	9.802-776.0	Nut, 5/16", ESNA, NC	12

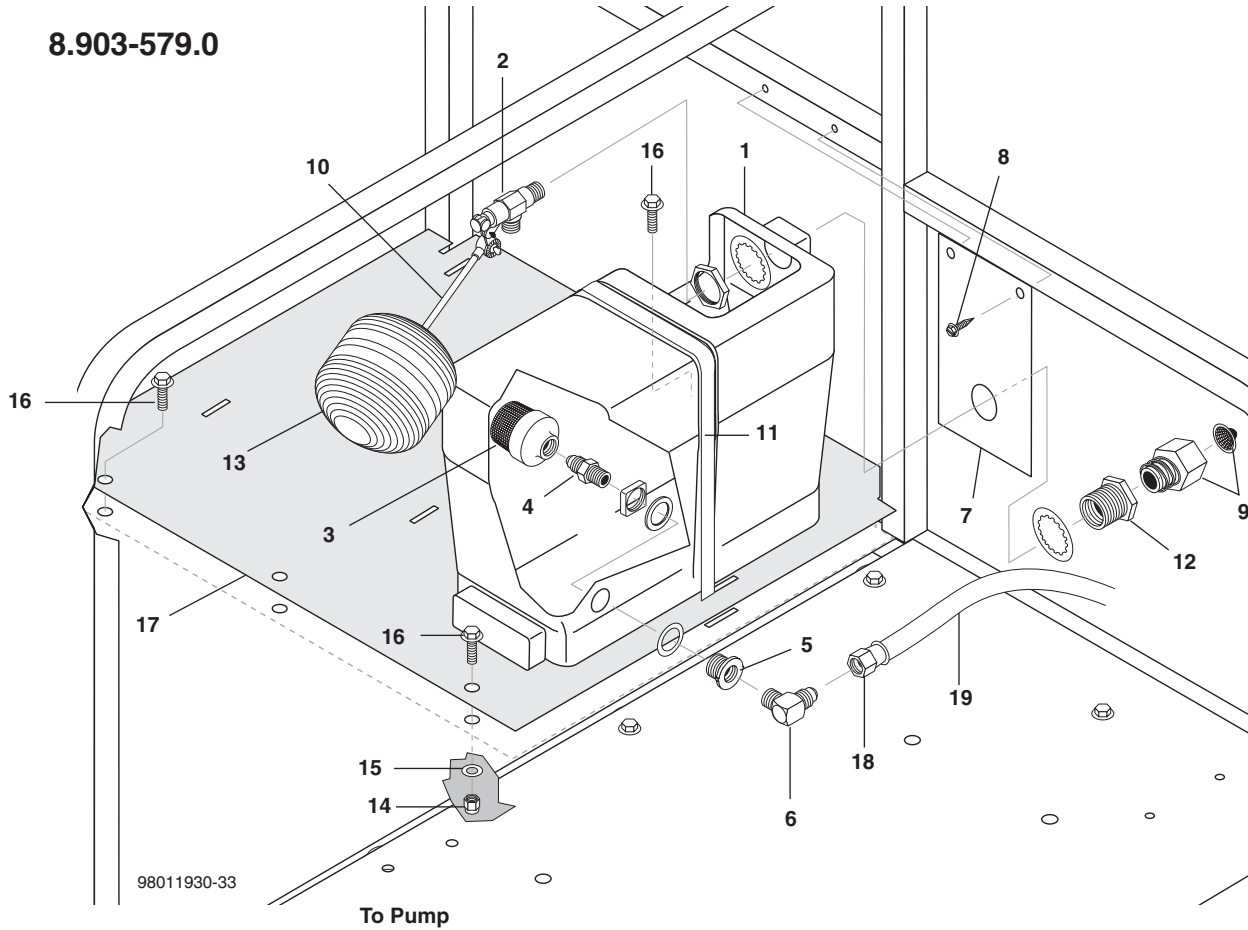
EXPLODED VIEW PARTS LIST

ITEM	PART NO.	DESCRIPTION	QTY
92	9.802-804.0	Washer, 5/16", Flat, SAE	12
93	9.802-779.0	Nut, 3/8" ESNA, NC	2
94	8.706-958.0	Hose Barb, 90°, 1/4" Barb x 1/4" Pipe	1
95	9.801-252.0	Label, Maintain Engine Speed	1
96	9.802-512.0	Cable, TY, 48"	2
97	9.802-587.0	Insulation, 1/2" Fiber Sleeving	30"
98	9.802-254.0	Fuel Line, 1/4" x 60" (All except 579.0)	1
99	8.706-780.0	Nipple, 1/4" Hex	1
100	9.802-132.0	Elbow, 3/4" JIC x 1/2" Male	1
101	9.802-056.0	Dip Tube, 10.75"	1
102	9.800-008.0	Label, Danger, Cool Engine	1
103	9.802-746.0	Thumb Screw, 1/4" x 20 x 1/2"	4
104	9.802-730.0	Bolt, 3/8" x 2-1/2" Zinc	2
105	9.802-807.0	Washer, 3/8", SAE, Flat	2
106	9.802-754.0	Screw, 1/4"-20 x 1/2" HH, WL	4
107	8.750-099.0	Thermostat 302°F	1
108	9.196-012.0	Screw, 10-24 x 1/4"	1
109	8.706-120.0	Nipple, 3/8" x 1/4" Hex, Steel	1
110	8.706-207.0	Elbow, Street, 3/8"	2
111	8.706-248.0	Plug, 3/8"	1
112	8.750-737.0	Adapter, Honda, M20-1.5 x 3/8 " FPT	1
113	9.802-015.0	Nipple, 1/2" x 4" Galvanized SCH 80 Pipe	1
114	8.920-350.0	Adapter Plate, Pump	1
115	9.802-765.0	Screw, 1/4-20 x 1/2" BH, SOC	2

▲ Not Shown

FLOAT TANK EXPLODED VIEW

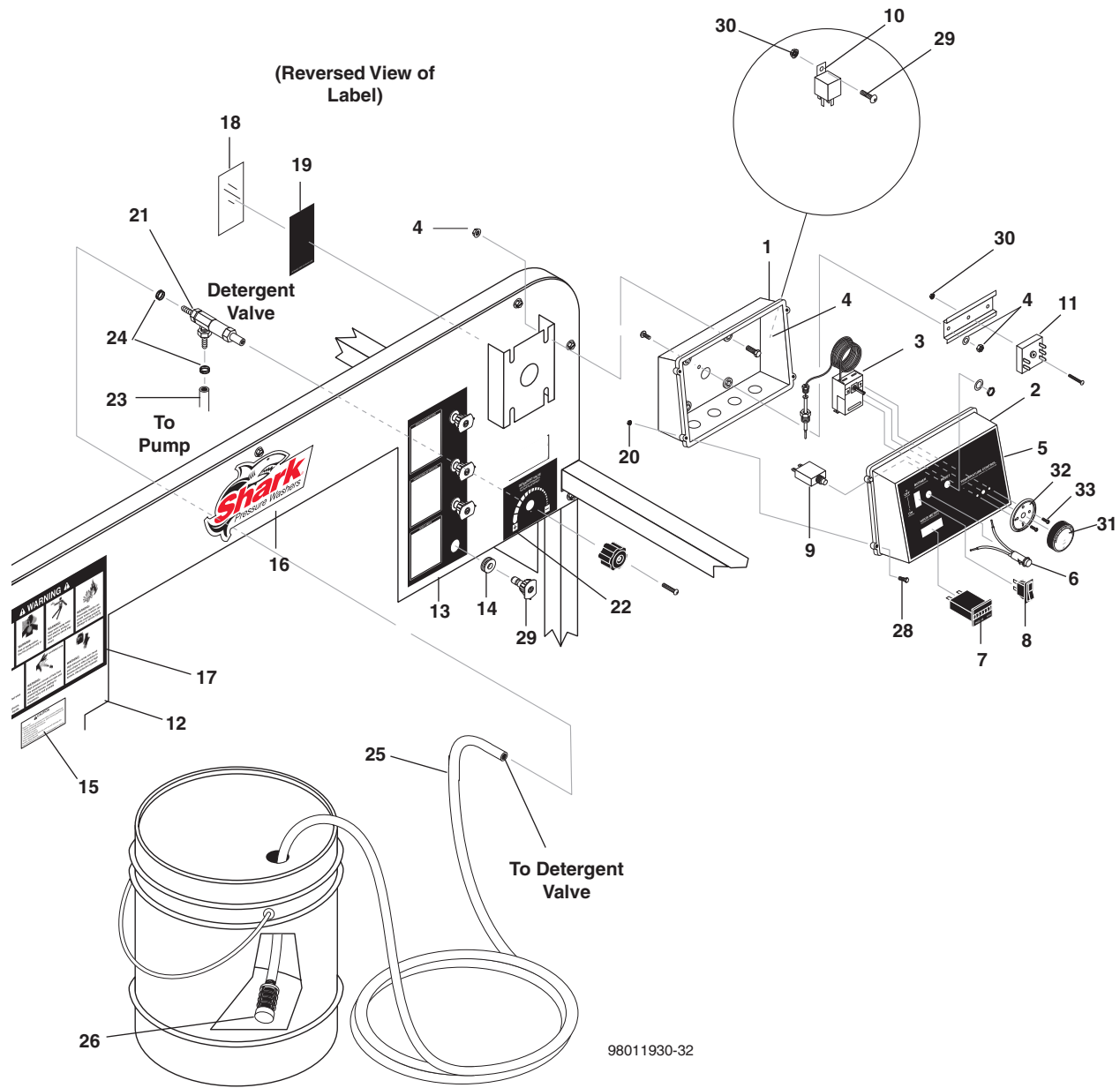
8.903-579.0



FLOAT TANK PARTS LIST

ITEM	PART NO.	DESCRIPTION	QTY	ITEM	PART NO.	DESCRIPTION	QTY
1	9.804-042.0	Tank, Float, 2-1/2 Gallon, Blank	1	15	9.802-802.0	Washer, Flat, 1/4" ZC	3
2	8.749-328.0	Valve, Float Plastic	1	16	9.802-753.0	Screw, 1/4" x 3/4" HH NC	3
3	9.802-162.0	Strainer, 1/2" Basket	1	17	8.930-354.0	Plate, Adaptor Gas, Float Tank	1
4	9.802-128.0	Nipple, 1/2" JIC x 1/2" MPT	1	18	9.802-152.0	Swivel, 3/4" SAE Fem	1
5	8.750-743.0	Bulkhead, 1/2" Polypro	1	19	9.802-261.0	Hose, Push-on, /Ft	1
6	9.802-132.0	Elbow, 3/4" JIC x 1/2", 90°	1				
7	8.930-356.0	Support Plate, Float Tank	1				
8	9.802-799.0	Screw, #14 x 1", TEK, Black, Zinc	2				
9	9.802-146.0	Swivel, 1/2" MP x 3/4" GHF w/Strainer	1				
10	9.803-671.0	Stem, 5" Float	1				
11	9.802-512.0	Cable, TY, 48"	1				
12	9.802-150.0	Anchor, Connector, 1/2"	1				
13	9.802-061.0	Ball, Float, Black Plastic	1				
14	9.802-773.0	Nut, 1/4" ESNA, NC	3				

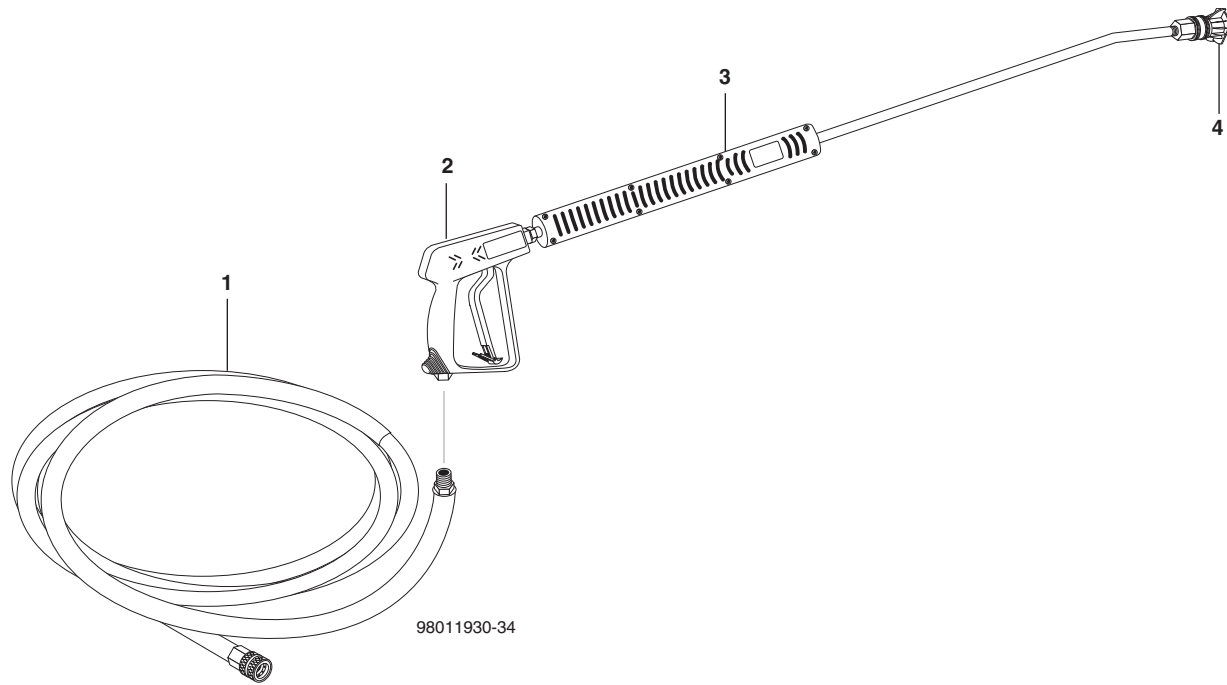
CONTROL PANEL EXPLODED VIEW



CONTROL PANEL PARTS LIST

ITEM	PART NO.	DESCRIPTION	QTY	ITEM	PART NO.	DESCRIPTION	QTY
1	9.803-693.0	Box, Plastic, Back	1	24	8.740-345.0	Clamp, Hose, UNI .46-.54	3
2	9.802-482.0	Box, Plastic, Front, Fabricated	1	25	9.802-251.0	Hose, 1/4" x 1/2" Clear Vinyl	6 ft.
3	8.750-094.0	Thermostat, 302°F	1	26	8.707-058.0	Strainer, 1/4" Brass	1
	9.802-447.0	▲ Conduit, Corrugated, 1/4"3.	3 ft	27	9.800-040.0	▲ Label, Ground	1
4	9.802-700.0	Bolt, 1/4" x 3/4" HH NC	4	28	9.803-249.0	Screw, M4 x 10	4
	9.802-775.0	Nut, 1/4" Flange Zinc	4	29	9.802-759.0	Screw 10/32 x 1/2" BH SOC Black	1
5	9.800-044.0	Decal, 12V Electrical Box (579.0, 580.0, 582.0, 584.0 - w/o Gen)	1	30	9.802-695.0	Nut 10/32" Keps	2
	9.800-043.0	Decal, 120V Electrical Box (581.0, 583.0, 585.0 - w/Gen)	1	31	8.750-096.0	Knob, Thermostat, 302°F	1
6	9.802-456.0	12V Indicator Light, Green (579.0, 580.0, 582.0, 584.0 - w/o Gen)	1	32	8.712-190.0	Bezel, Thermostat	1
	9.802-455.0	120V Indicator Light, Green (581.0, 583.0, 585.0 - w/Gen)	1	33	8.718-779.0	Screw, 4mm x 6mm	2
7	9.802-283.0	Hour Meter	1	Please See Hose & Spray Gun Assembly Page			
8	9.802-453.0	Switch, Curvette	1	▲ Not Shown			
9	9.802-485.0	Circuit Breaker, 25 Amp (579.0, 580.0, 582.0, 584.0)	1				
10	9.802-471.0	Relay, 24V DC, 40 Amp (580.0, 582.0, 584.0)	1				
	9.802-470.0	Relay, 12 V DC, 40 Amp (579.0)	1				
11	9.802-530.0	Rectifier, Bridge (579.0, 580.0, 582.0, 584.0)	1				
	9.802-759.0	Screw, 10/32" x 1/2" BH SOC, Black	1				
	9.802-457.0	Din Rail (12 VDC)	4"				
12	9.803-003.0	Weldment Control Panel, Black	1				
	9.802-762.0	▲ Screw, Ground Post 10/32" x 1-1/4"	1				
	8.706-735.0	▲ Bushing, 1" Snap	1				
13	9.800-042.0	Decal, Operating Instructions	1				
14	9.802-064.0	Grommet, Rubber, Nozzle Holder	4				
15	9.800-049.0	Label, Manufacturer's Cleaning Solution	1				
16	8.704-660.0	Label, Shark	1				
17	9.800-041.0	Label, Warning	1				
18	9.800-034.0	Lexan, Cover, Outdoor	1				
19	8.932-968.0	Label, Outdoor	1				
20	9.803-250.0	Nut	4				
21	9.802-188.0	Valve, Metering	1				
22	9.800-039.0	Label, Metering Valve	1				
23	9.802-252.0	Hose, 1/4" x 1/2" Braided Vinyl	2 ft.				

HOSE & SPRAY GUN ASSEMBLY



HOSE & SPRAY GUN PARTS LIST

ITEM	PART NO.	DESCRIPTION	QTY	ITEM	PART NO.	DESCRIPTION	QTY
1	8.739-203.0	Hose, 3/8" x 50', 2 Wire Tuff Flex	1	9.802-299.0	Nozzle, 0005, Red (582.0, 583.0)	1	
2	8.710-384.0	Gun, ST-1500, 5000 PSI 10.4 GPM	1	9.802-300.0	Nozzle, 1505, Yellow (582.0, 583.0)	1	
3	9.803-805.0	Wand	1	9.802-301.0	Nozzle, 2505, Green (582.0, 583.0)	1	
4	9.803-810.0	Nozzle, 0004.5, Red (579.0)	1	9.802-302.0	Nozzle, 4005, White (582.0, 583.0)	1	
	9.803-811.0	Nozzle, 1504.5, Yellow (579.0)	1	9.802-307.0	Nozzle, 0006, Red (584.0, 585.0)	1	
	9.803-812.0	Nozzle, 2504.5, Green (579.0)	1	8.712-362.0	Nozzle, 1506, Yellow (584.0, 585.0)	1	
	9.803-813.0	Nozzle, 4004.5, White (579.0)	1	9.802-309.0	Nozzle, 2506, Green (584.0, 585.0)	1	
	9.802-303.0	Nozzle, 0005.5, Red (580.0, 581.0)	1	9.802-310.0	Nozzle, 4006, White (584.0, 585.0)	1	
	9.802-304.0	Nozzle, 1505.5, Yellow (580.0, 581.0)	1				
	9.802-305.0	Nozzle, 2505.5, Green (580.0, 581.0)	1				
	9.802-306.0	Nozzle, 4005.5, White (580.0, 581.0)	1				

SPECIFICATIONS

BECKETT BURNER SPECIFICATIONS

Model No.	Burner Assy No.	Fuel Nozzle	Transformer	Burner Motor	Fuel/Pump	Fuel Solenoid Coil	Electrode
1.110-579.0	9.802-559.0	8.717-273.0	9.802-663.0	9.802-638.0	9.802-562.0	9.802-639.0	9.802-668.0
1.110-580.0	9.802-559.0	9.802-577.0	9.802-663.0	9.802-638.0	9.802-562.0	9.802-639.0	9.802-668.0
1.110-581.0 w/Gen	8.750-777.0	8.717-366.0	9.803-060.0	9.803-056.0	9.802-645.0	9.802-640.0	9.802-669.0
1.110-582.0	9.802-559.0	9.802-577.0	9.802-663.0	9.802-638.0	9.802-562.0	9.802-640.0	9.802-668.0
1.110-583.0 w/Gen	8.750-777.0	8.717-366.0	9.803-060.0	9.803-056.0	9.802-645.0	9.802-640.0	9.802-669.0
1.110-584.0	9.802-559.0	9.802-577.0	9.802-663.0	9.802-638.0	9.802-562.0	9.802-640.0	9.802-668.0
1.110-585.0 w/Gen	8.750-777.0	8.717-366.0	9.803-060.0	9.803-056.0	9.802-645.0	9.802-640.0	9.802-669.0

KNA BURNER SPECIFICATIONS

Model No.	Burner Assy No.	Fuel Nozzle	Igniter	Motor	Fuel/Pump	Pump Coil	Electrode
1.110-579.0	8.918-919.0	8.717-273.0	8.919-116.0	8.751-074.0	8.700-758.0	9.802-639.0	8.751-342.0
1.110-580.0	8.918-919.0	8.717-273.0	8.919-116.0	8.751-074.0	8.700-758.0	9.802-639.0	8.751-342.0
1.110-582.0	8.918-919.0	8.717-273.0	8.919-116.0	8.751-074.0	8.700-758.0	9.802-639.0	8.751-342.0
1.110-584.0	8.918-919.0	8.717-273.0	8.919-116.0	8.751-074.0	8.700-758.0	9.802-639.0	8.751-342.0
1.110-586.0	8.918-919.0	8.717-273.0	8.919-116.0	8.751-074.0	8.700-758.0	9.802-639.0	8.751-342.0

SPECIFICATIONS

PARTS SPECIFICATIONS

				PUMP			ENGINE			
Machine Model	Pump Model	Part Number	Unloader	Pulley	Pulley Part #	Bushing	Bushing Part #	Engine Model	Engine Part #	Engine Pulley
1.110-579.0	KT4035	9.802-345.0	8.715-483.0	2BK100H	9.802-391.0	25MM	9.802-403.0	GX 390 (389CC)	9.802-321.0	2BK34H
1.110-580.0	KT6035	9.802-346.0	8.715-483.0	2BK90H	9.802-390.0	25MM	9.802-403.0	Vanguard (479CC)	9.802-325.0	2BK34H
1.110-581.0*	KT6035	9.802-346.0	8.715-483.0	2BK90H	9.802-390.0	25MM	9.802-403.0	Vanguard (479CC)	9.802-325.0	3TB34
1.110-582.0	KT6035	9.802-346.0	8.715-483.0	2BK100H	9.802-391.0	25MM	9.802-403.0	GX 630 (688CC)	8.750-495.0	2BK36
1.110-583.0*	KT6035	9.802-346.0	8.715-483.0	2BK100H	9.802-391.0	25MM	9.802-323.0	GX 630 (688CC)	8.750-495.0	3TB34H
1.110-584.0	KT6035	9.802-346.0	8.715-483.0	2BK90H	9.802-390.0	25MM	9.802-403.0	GX 660 (688CC)	8.750-496.0	2BK40
1.110-585.0*	KT6035	9.802-346.0	8.715-483.0	2BK90H	9.802-390.0	25MM	9.802-403.0	GX 660 (688CC)	8.750-496.0	3TB36H

* With Generator

SPECIFICATIONS

Model	ENGINE					GENERATOR					
	Pulley Part #	Bushing	Bushing Part #	Belt Size	Belt Part #	Pulley	Pulley Part #	Belt	Belt Part #	Bushing	Part No.
579.0	9.802-382.0	H x 1	9.802-399.0	BX44(2)	8.715-705.0	NA	NA	NA	NA	NA	NA
580.0	9.802-382.0	H x 1	9.802-399.0	BX43(2)	9.802-420.0	NA	NA	NA	NA	NA	NA
581.0	9.802-392.0	P2 x 1	9.802-404.0	BX43(2)	9.802-420.0	BK34H	9.802-378.0	BX32	9.802-413.0	5/8"	9.802-397.0
582.0	9.802-383.0	H x 1	9.802-399.0	BX44(2)	8.715-705.0	NA	NA	NA	NA	NA	NA
583.0	9.802-392.0	P2 X 1	9.802-404.0	BX44(2)	8.715-705.0	BK34H	9.802-378.0	BX34	8.715-695.0	5/8"	9.802-397.0
584.0	9.802-384.0	H x 1-1/8"	9.802-400.0	BX44(2)	8.715-705.0	NA	NA	NA	NA	NA	NA
585.0	9.802-393.0	P2 X 1-1/8"	9.802-400.0	BX44(2)	8.715-705.0	BK36H	9.802-379.0	BX34	8.715-695.0	5/8"	9.802-397.0

KT.1 SERIES PUMP EXPLODED VIEW & PARTS LIST

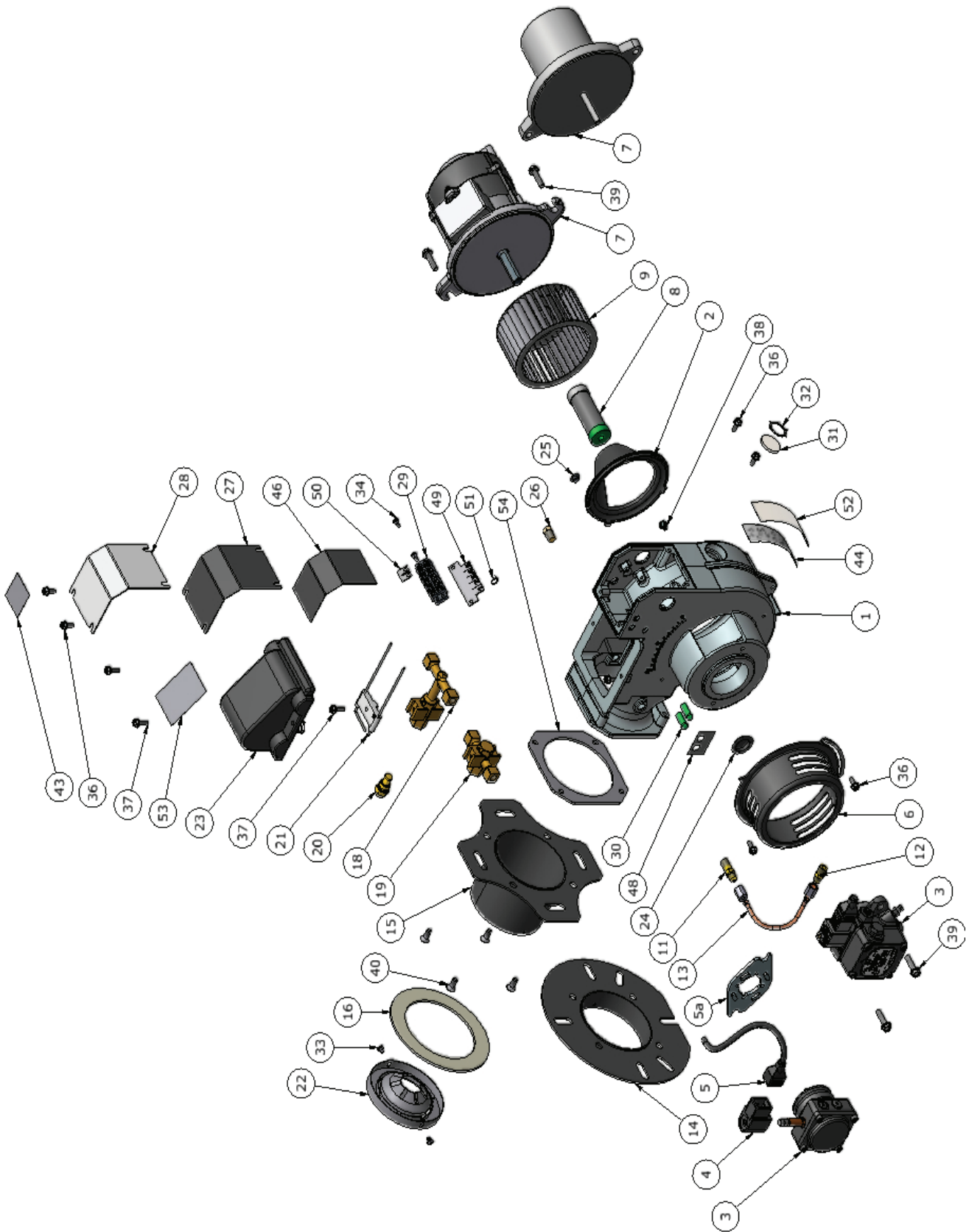
ITEM	PART NO.	DESCRIPTION	QTY
39*	See Kit	O-Ring Ø1.78 x10.82	3
40*	See Kit	Teflon Ring	3
41*	See Kit	Plunger	3
42*	See Kit	Copper Spacer	3
43	9.803-143.0	Plunger Rod	3
44	9.803-157.0	Connecting Rod	3
45	9.802-912.0	Snap Ring	6
46	9.802-915.0	Connecting Rod Pin	3
47	9.802-889.0	Spring Washer	6
48	9.802-937.0	Connecting Rod Screw	6
49	9.803-194.0	O-Ring Ø2.62 x 152.07	1
50	9.803-166.0	Crankcase Cover	1
51	9.803-197.0	Gasket, G3/8	1
52	9.803-202.0	Sight Glass G3/4	1
53	9.802-939.0	Cover Screw	5

* Part available in kit (See below)

REPAIR KIT NUMBER	8.916-488.0	8.916-487.0	8.916-322.0	8.916-323.0	9.802-607.0	9.802-611.0	9.802-603.0	9.802-606.0
KIT DESCRIPTION	Plunger "U" Seal 20mm 4040.1 6035.1 4035.1	Plunger "U" Seal 22mm 5030.1	"U" Seal Packing Assy 20mm 4040.1 6035.1 4035.1	"U" Seal Packing Assy 22mm 5030.1	Plunger 20mm 4040.1 6035.1 4035.1	Plunger 22mm 5030.1	Complete Valve (all pumps)	Plunger Oil Seals (all pumps)
ITEM NO.S INCLUDED	4, 6, 8, 9, 10	4, 6, 8, 9, 10	4, 5, 6, 7, 8, 9, 10,	4, 5, 6, 7, 8, 9, 10,	37, 38, 39, 40, 41, 42	37, 38, 39, 40, 41, 42	14, 15, 16	3
NUMBER OF CYLINDERS KIT WILL SERVICE	3	3	1	1	1	1	6	3

KNA BURNER REPLACEMENT PARTS

For best performance specify genuine KNA replacement parts



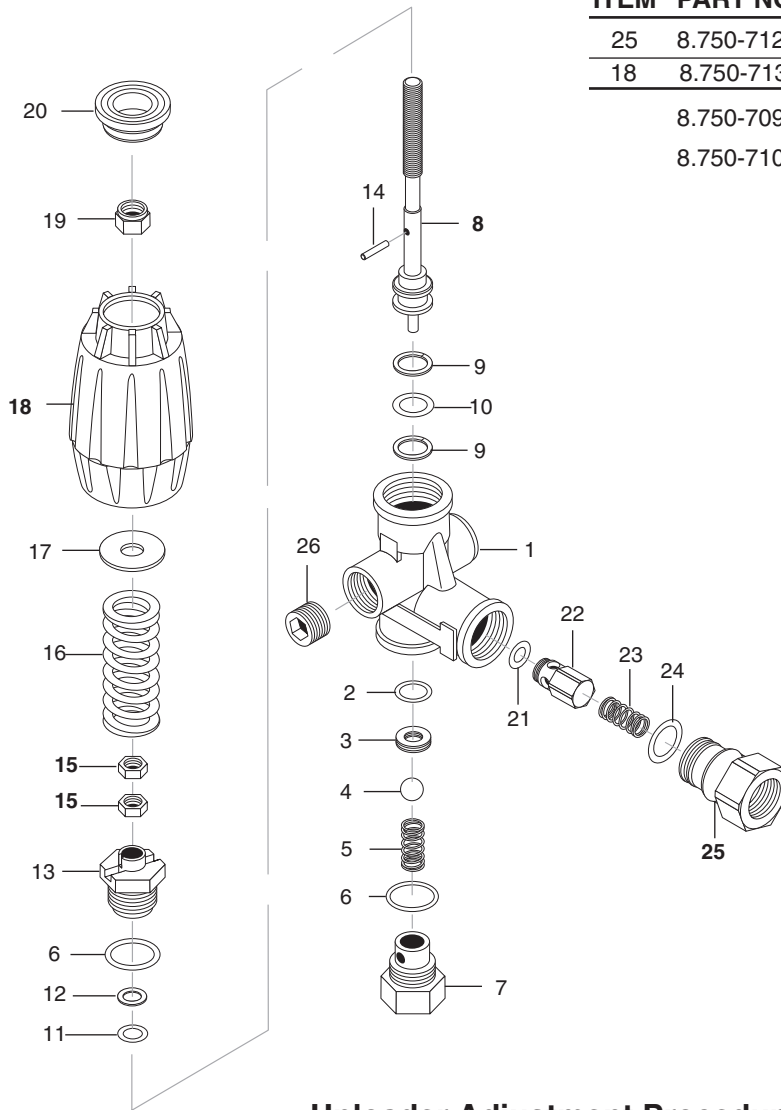
KNA BURNER REPLACEMENT PARTS

For best performance specify genuine KNA replacement parts

Item #	Part #	Description	Qty	Item #	Part #	Description	Qty
1	8.919-050.0	BURNER HOUSING ASSEMBLY	1	25	8.750-830.0	PLUG, HOLE 0.285 PLASTIC	1
2	8.751-160.0	AIR GUIDE	1	26	8.751-134.0	PLUG, 1/8" NPT x HEX SHOULDER	1
3	8.700-758.0	FUEL PUMP, SUNTEC A2VA-3106 12-24V SOL	1	27	8.918-454.0	GASKET, JUNCTION BOX	1
3	8.700-759.0	FUEL PUMP, SUNTEC A2VA-3106 120V SOL	1	28	8.750-542.0	COVER, JUNCTION BOX	1
3	8.700-760.0	FUEL PUMP, SUNTEC A2VA-3106 230V SOL	1	29	8.750-116.0	BLOCK, TERMINAL, 5 POLE	1
3	8.753-000.0	FUEL PUMP, DANFOSS 071N1298	1	30	8.750-817.0	LIGHT, INDICATOR, GREEN 14V	2
4	8.750-762.0	COIL, SOLENOID DANFOSS 230V	1	30	8.750-818.0	LIGHT, INDICATOR, GREEN 28V	1
4	8.750-763.0	COIL, SOLENOID DANFOSS 115V	1	30	8.750-819.0	LIGHT, INDICATOR, GREEN 125V	1
4	8.750-764.0	COIL, SOLENOID DANFOSS 12-24V	1	30	8.750-820.0	LIGHT, INDICATOR, GREEN 250V	1
5	8.750-765.0	CABLE, SOLENOID COIL, DANFOSS	1	31	8.750-784.0	SITE GLASS	1
5a	8.750-783.0	MOUNTING KIT, FLANGE/HUB, DANFOSS	1	32	8.750-785.0	RING, PUSH ON INTERNAL, 1305-112	1
6	8.750-541.0	AIR BAND	1	33	8.733-001.0	SCREW, 8 x 1/4" HI LOW THREAD CUT, PPH	2
7	8.750-517.0	MOTOR, 1/6 HP 115V 60Hz	1	34	8.718-762.0	SCREW, 8-32 X 1/2", M PH RDH PL	2
7	8.750-518.0	MOTOR, 1/6 HP 230V 60Hz	1	35	8.750-769.0	SCREW, 8/32 X 3/8" PH	1
7	8.751-074.0	MOTOR, 1/7 HP 12VDC AMETEK	1	36	8.718-810.0	SCREW, 10/32 x 1/2", WHIZ LOC FLANGE	6
8	8.750-543.0	COUPLING, FLEX, 1/2" x 5/16"	1	37	8.750-770.0	SCREW, 10/32 x 5/8", WHIZ LOC FLANGE	3
8	8.751-073.0	COUPLING, FLEX, 5/16" x 5/16"	1	38	8.750-816.0	SCREW, 10/32 X 1/4" GROUNDING	1
9	8.750-520.0	FAN, 4.53" X 2.42", 1/2" BORE, F115-62S	1	39	8.750-768.0	SCREW, 1/4-20 x 1", WHIZ LOC FLANGE	4
9	8.751-072.0	FAN, 4.53" x 2.42" x .313 BORE, F115-625	1	40	8.750-771.0	SCREW, 1/4-20 X 1/2", PHIL FHMS	4
11	8.750-547.0	CONNECTOR, 37 DEG FLARE X 1/8" NPT, LONG	1	42	—	LABEL, BRAND NAME	1
12	8.750-545.0	CONNECTOR, 37 DEG FLARE X 1/8" NPT	1	43	9.801-268.0	LABEL, DISCONNECT POWER SUPPLY	1
13	8.749-000.0	FUEL LINE ASSEMBLY	1	44	—	LABEL, SERIAL PLATE	1
14	8.918-864.0	FLANGE 1" TUBE ASSY, BURNER	1	46	9.807-339.0	LABEL, WIRING DIAGRAM, BURNER 115V-115V	1
15	8.752-035.0	FLANGE, KNA BURNER, 3" TUBE ,	1	46	9.807-340.0	LABEL, WIRING DIAGRAM, BURNER 230V-230V	4
16	8.750-539.0	GASKET, FLANGE	1	46	9.807-341.0	LABEL, WIRING DIAGRAM, BURNER 230V-115V	1
18	8.750-526.0	GUN, ELECTRODE / NOZZLE, 3"	1	46	9.807-342.0	LABEL, WIRING DIAGRAM, BURNER 115V-24V	1
19	8.750-525.0	GUN, ELECTRODE / NOZZLE, 1"	1	46	9.807-343.0	LABEL, WIRING DIAGRAM, BURNER 230V-24V	1
20	Varies	NOZZLE, FUEL	1	46	9.807-344.0	LABEL, WIRING DIAGRAM, BURNER 12VDC	1
21	8.750-778.0	ELECTRODE, IGNITION, AC	1	48	9.801-274.0	LABEL, BURNER LIGHTS	1
21	8.751-342.0	ELECTRODE, IGNITION, DC	1	49	8.919-105.0	PLATE, TERMINAL BLOCK NUMBERS	1
22	8.750-779.0	CONE, AIR F4	1	50	8.716-451.0	TERMINAL, JUMPER SPADE	1
22	8.750-782.0	CONE, AIR F6	1	51	9.802-510.0	CABLE, TIE, 4" BLACK	2
22	8.750-780.0	CONE, AIR F12	1	52	9.807-348.0	LABEL, CLEAR MYLAR	1
22	8.750-781.0	CONE, AIR F22	1	53	9.807-345.0	LABEL, IGNITER 120V	1
23	8.919-114.0	IGNITOR, BURNER 120V	1	53	9.807-346.0	LABEL, IGNITER 230V	1
23	8.919-115.0	IGNITOR, BURNER 230V	1	53	9.807-347.0	LABEL, IGNITOR 12VDC	1
23	8.919-116.0	IGNITOR, BURNER 12VDC	1	54	8.751-354.0	GASKET, BURNER TUBE	1
24	8.751-165.0	PLUG, HOLE 0.875 PLASTIC	1				

VRT3 UNLOADER EXPLODED VIEW AND PARTS LIST

8.750-297.0, 8 GPM, 2320 PSI
 8.750-298.0, 8 GPM, 3630 PSI
 8.750-299.0, 8 GPM, 4500 PSI



ITEM	PART NO.	DESCRIPTION	QTY
25	8.750-712.0	Outlet Fitting	1
18	8.750-713.0	Knob, Unloader	1
	8.750-709.0	Repair Kit, VRT3, 2320/3630 PSI	
	8.750-710.0	Repair Kit, VRT3, 4500 PSI	
		(Kit Items: 1, 4, 8-12, 16, 21-22)	

Unloader Adjustment Procedures

1. Remove lock nut (Item 19).
2. Remove adjustment knob (Item 18).
3. Loosen the two (2) nuts (Item 15), move them upward on stem (Item 8) until you see 4 or more threads below the nut.
4. Re-attach adjusting knob (Item 18).
5. Start machine. Open the trigger of the spray gun. Increase pressure by turning adjustment knob (Item 18) clockwise until pressure is at the desired operating pressure.
6. Remove the adjustment knob (Item 18), tighten the lower nut (Item 15) tightly against the upper nut (Item 15). Re-attach adjustment knob (Item 18) and screw down until contact is made with the nuts (Items 15). Screw down lock nut (Item 19) onto the stem (Item 8) until the threads cut into the nylon insert of the lock nut (Item 19).

*If adjustment knob (Item 18) **DOES NOT** make contact with upper nut (Items 15), remove adjusting knob (Item 18), re-adjust (raise) nuts (Items 15) on stem (Item 8) and re-attach adjustment knob (Item 18), then repeat step #6.

If adjustment knob (Item 18) **DOES make contact with upper nut; release the trigger of the spray gun and watch the pressure gauge for the pressure increase ("spike"). This "spike" **SHOULD NOT** exceed 500 psi above the operating pressure. If "spike" pressure exceeds the 500 psi limit, remove the adjusting knob (Item 18) and re-adjust (lower) the nuts (Items 15) on the stem (Item 8). Re-attach the adjusting knob (Item 18), then repeat step #6.