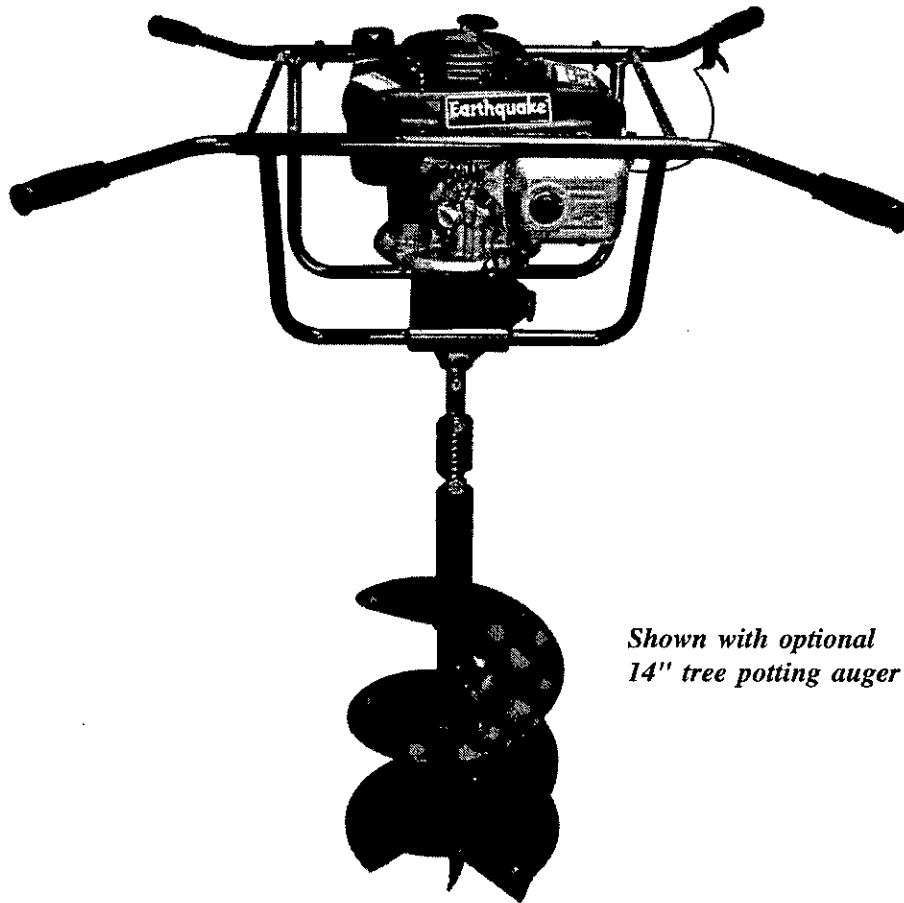


# Earthquake®

## **2-Person Power Earth Auger 9800H Technical Manual** *(Insert to OM9800)*



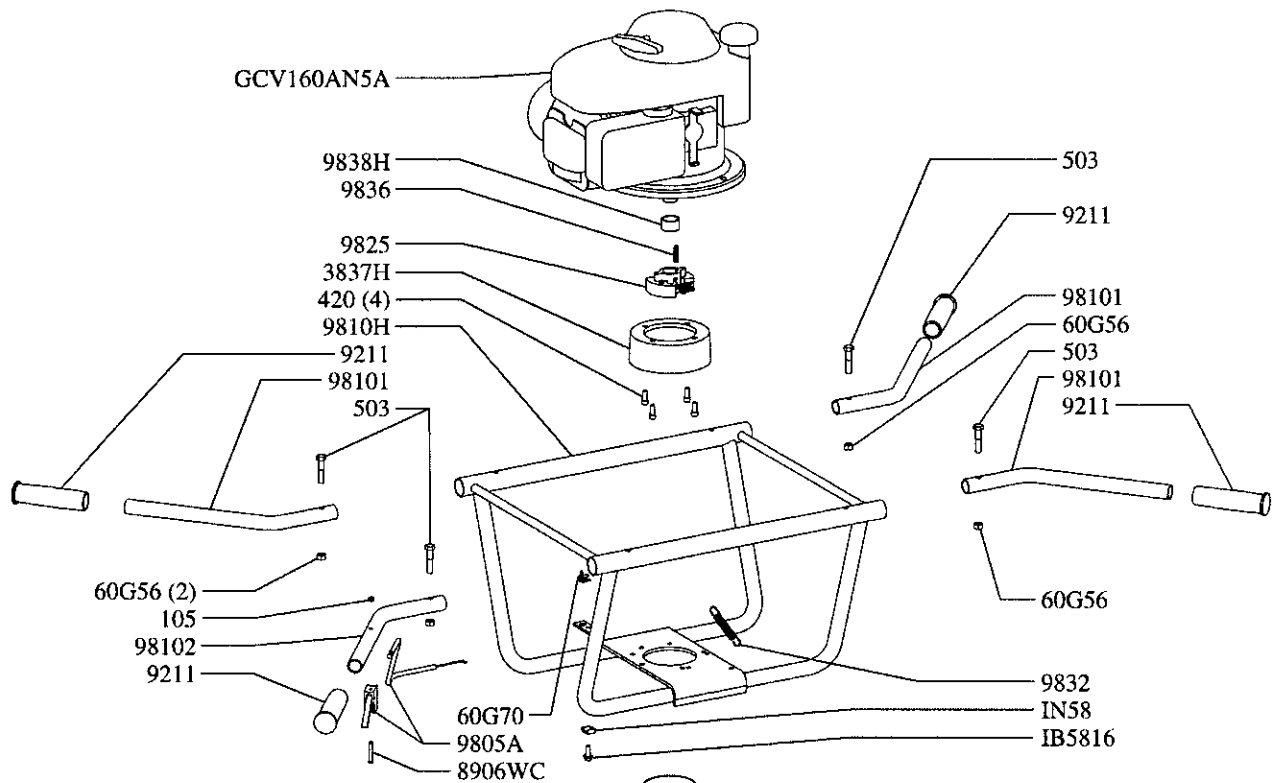
*Shown with optional  
14" tree potting auger*





# EARTHQUAKE MODEL 9800H

MINIMUM ORDER .....\$10.00



<u>PART#</u>	<u>DESCRIPTION</u>	<u>QTY.</u>
18A	Gear Case w/ Bearings, (upper half)	1
20	Gear Case w/ Bearings, (lower half)	1
60G56	Nut-Hex, 5/16-18, Two Way Reversible Locknut	4
60G70	Toggle Switch, On-Off	1
105	Nut-Hex, Nyloc, #10-32	1
420	Bolt, C-Bore, High Torque, 5/16-24nf x 3/4"	4
503	Bolt-Hex Hld, 5/16-18 x 1-1/2"	4
8906WC	Screw-Machine, #10-32 x 1-1/4"	1
8912	44T Gear	1
8913	Shaft, Output, 7/8"	1
8914	48T Gear	1
8915	Dowel Pin, 1/4" x 1/2", Hardened Steel	2
8919	Gasket	1
8922	Ball Bearing	3
8923	Ball Bearing	2
8924	Snap Ring	4
8929	Bolt-SHCS, 1/4-20 x 1-1/2"	2
8935	Bolt-SHCS, 1/4-20 x 2-1/2"	4
9016	Clutch Drum	1
9211	Handle Grip, 7/8" ID	4
9214A	10T Pinion Gear	1
9805A	Throttle Control Cable Assembly	1
9810H	Main Handlebar Assembly, 2-Person	1
9814	7T Pinion Gear, Threaded	1
9825	Centrifugal Clutch Rotor	1
9832	Spring, Throttle Control	1
9836	Step Key	1
9837H	Mount Ring-Aluminum	1
9838H	Spacer	1
98101	Handle, 1-Hole	3
98102	Handle, 2-Hole, Throttle Control	1

<u>PART#</u>	<u>DESCRIPTION</u>	<u>QTY.</u>
9016	Clutch Drum	1
8922	Ball Bearing	3
9814	48T Gear	1
18A	Gear Case w/ Bearings, (upper half)	1
8923	Ball Bearing	2
8924	Snap Ring	4
8915	Dowel Pin, 1/4" x 1/2", Hardened Steel	2
8914	48T Gear	1
9214A	10T Pinion Gear	1
8924	Snap Ring	4
8923	Ball Bearing	2
8915	Dowel Pin, 1/4" x 1/2", Hardened Steel	2
8912	44T Gear	1
8924	Snap Ring	4
8922	Ball Bearing	3
8919	Gasket	1
20	Gear Case w/ Bearings, (lower half)	1
8922	Ball Bearing	3
8913	Shaft, Output, 7/8"	1
8935 (4)	Bolt-SHCS, 1/4-20 x 2-1/2"	4
8929	Bolt-SHCS, 1/4-20 x 1-1/2"	2
GCV160AN5A	Gas Engine, Honda 5.5-hp	1
IB5816	Bolt, 5mm x 0.8 x 16mm	1
IN58	Nut, 5mm x 0.8 Nyloc	1