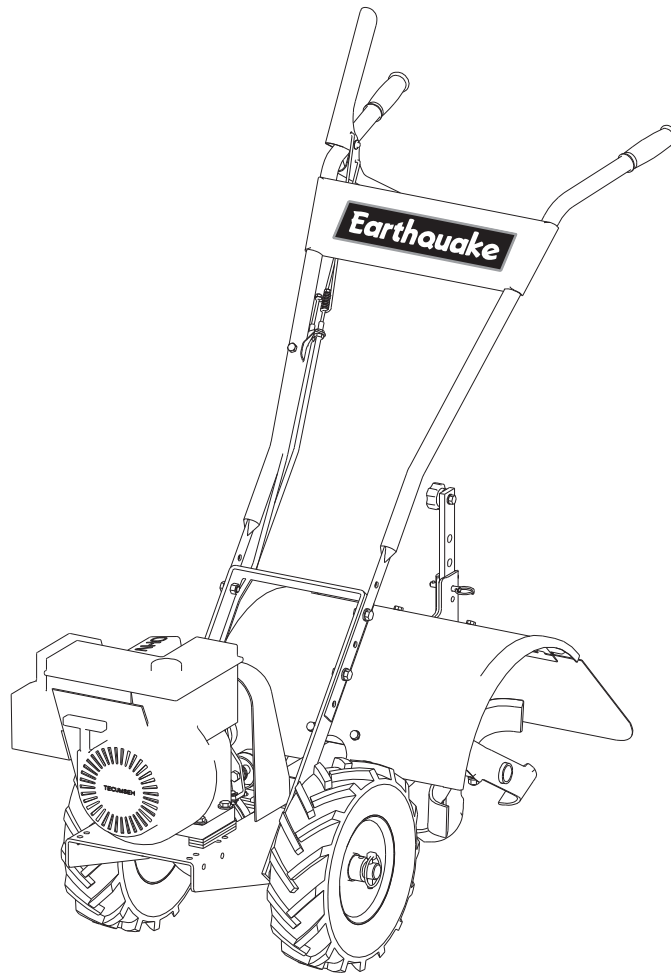


Earthquake

Operator's Manual
Original Operating Instructions
SRT Rototiller

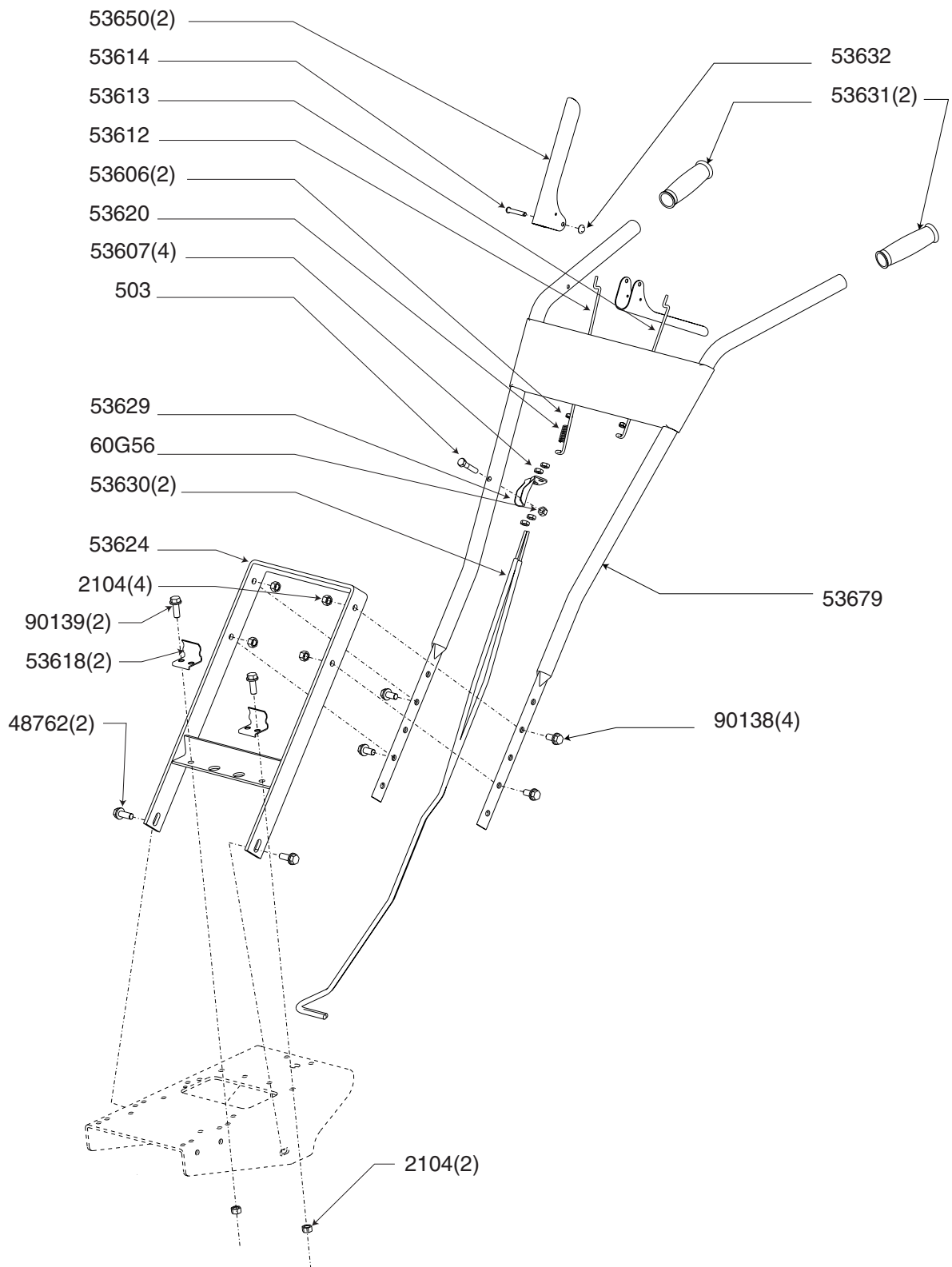


7055C
BRIGGS & STRATTON
4-CYCLE 206CC
8.50 FT-LBS GROSS TORQUE



P/N: OMSRT
ECN: 9691
REV2: 02/26/13
© 2013 Ardisam, Inc.
All Rights Reserved

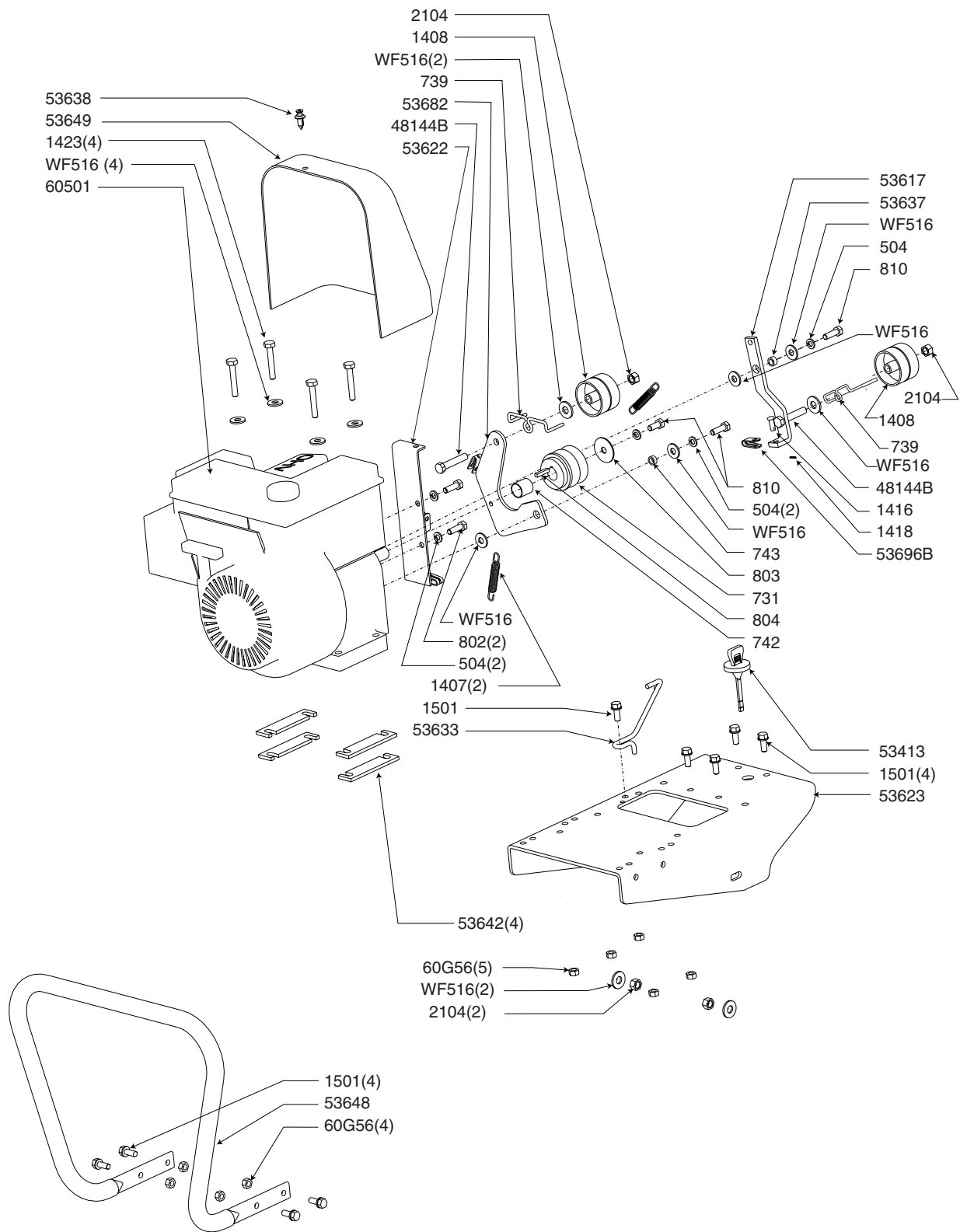
SRT HANDLEBAR PARTS



SRT HANDLEBAR PARTS LIST

PART #	DESCRIPTION	QTY.
2104	Nut Hex Two-Way 3/8-16	6
48762	Bolt 3/8-16 x 1" Carriage	2
503	Bolt 5/16-24x1" HH GR5	1
53606	Nut-Nyloc, #10	2
53607	Nut-Jam, 5/16-24	4
53612	Link 11-5/8" long	1
53613	Link 9-1/2" long	1
53614	Pin Clevis 1/4 x 1-1/2"	1
53618	Belt Guard Clip	2
53620	Spring Compression Forward Arm	1
53624	Handlebar Mount Weldment	1
53629	Cable Mount Bracket	1
53630	Cable - Rear Tine 39" Sheath	2
53631	Grip Handlebar 1" ID Flangeless	2
53632	Nut Push 1/4"	1
53650	Lever Control Rear Tine	2
53679	Handlebar Weldment	1
60G56	Nut-Bi-Way Lock, 5/16-18	1
90139	Bolt 3/8-16 x 1"	2
90138	Bolt 3/8-16 x 3/4 Serrated Flange	4

SRT MOTOR MOUNT PARTS



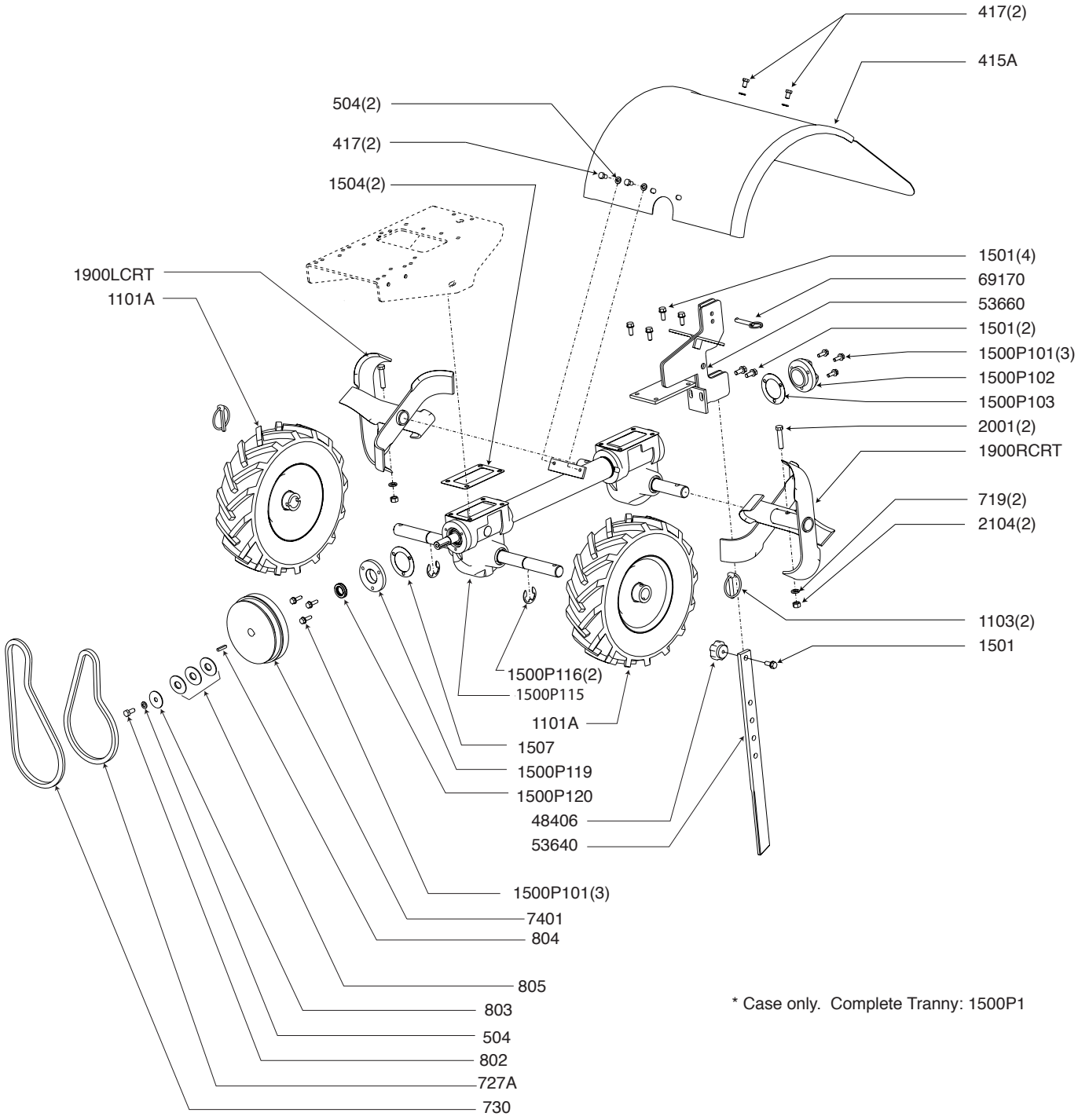
SRT MOTOR MOUNT PARTS LIST

PART #	DESCRIPTION	QTY.
1407	Forward Arm Spring	2
1408	Forward Pulley Idler	2
1416	Clevis Pin	1
1418	Cotter Pin 5/64" x 1/2"	1
1423	Bolt 5/16-18 x 2"	4
1501	Bolt 5/16-18 x 3/4"	5
2104	Nut 3/8-16	4
48144B	Bolt 3/8-16 x 2"	2
504	Lock Washer Spring 5/16"	5
53413	Dip Stick	1
53596B	Clevis Yoke Zinc Plated	1
53617	Forward Arm	1
53622	Cable Pull Weldment	1
53623	Motor Mount	1
53633	Belt Guide	1
53637	Forward Arm Bushing	1
53638	Plastic Push-in Rivet	1
53642	Engine Shim	4*
53649	Belt Guard	1
53682	Reverse Tine Weldment	1

PART #	DESCRIPTION	QTY.
60501	Engine, 6 hp Briggs & Stratton	1
60G56	Nut Bi-Way Lock 5/16-18	5
731	Two Groove Pulley 3/4"	1
739	Reverse Belt Guide	2
742	Drive Pulley Spacer, .550"	1
743	Reverse Arm Bushing	1
802	Bolt 5/16-24 x 3/4"	2
803	Washer 5/16" x 1-1/2"	1
804	Key 3/16" x 1"	1
810	Bolt 5/16-24 x 1"	3
WF516	Flat Washer 5/16"	12
53648	Bumper Guard	1
1501	Bolt 5/16-18 x 3/4"	9
60G56	Nut Bi-Way Lock 5/16-18	9

*Some models may require 6 each

SRT TINES & HOOD PARTS



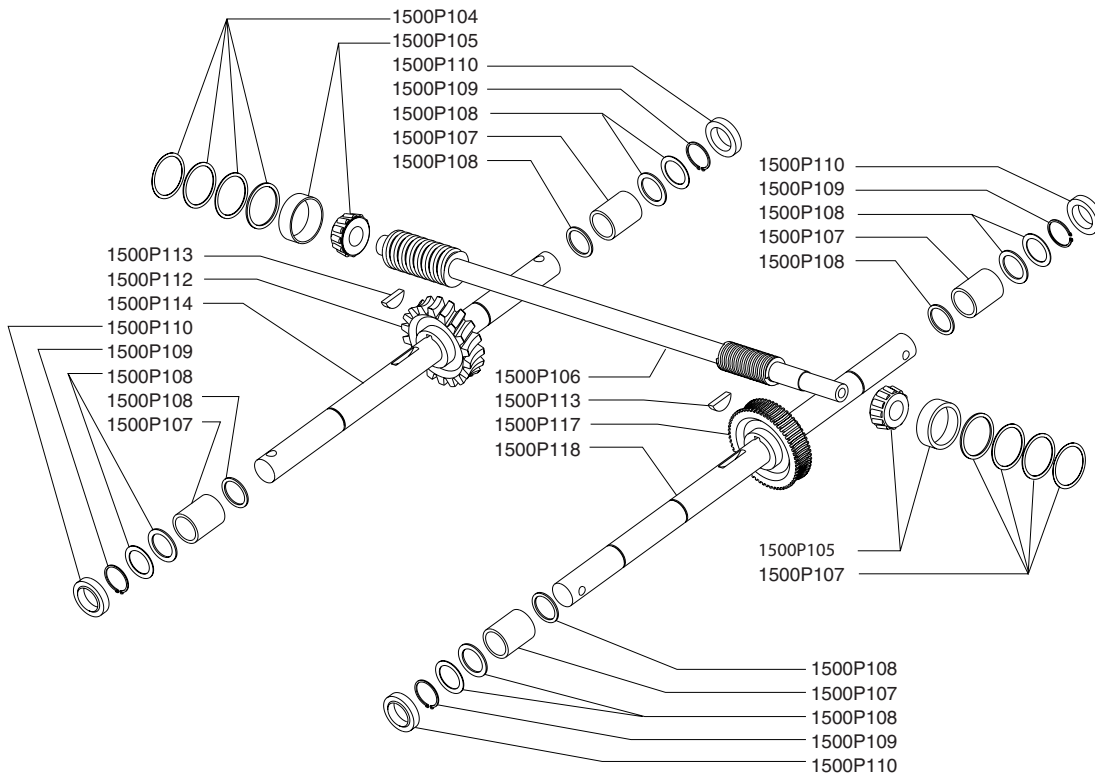
* Case only. Complete Tranny: 1500P1

SRT TINES & HOOD PARTS LIST

PART #	DESCRIPTION	QTY.
1103	Lock Pin 5/16" x 1-3/4"	2
1500P115	Transmission Case Long	1
1501	Bolt 5/16-18 x 3/4"	7
1504	Gasket, Transmission	2
1507	Gasket, Bearing Cap	2
1500P102	Rear Bearing Cap	1
1500P101	Bolt M6 x 25	3
1500P119	Front End Cap	1
1500P120	Seal Oil Drive Shaft	1
1500P101	Bolt M6 x 25	3
1500P116	External Snap Ring	2
1900LCRT	Left Tine Set	1
1900RCRT	Right Tine Set	1
2001	Bolt 3/8-16 x 1-3/4"	2
2104	Nut, Bi-Way Lock 3/8-16	2
415A	Hood Assembly	1

PART #	DESCRIPTION	QTY.
417	Bolt 5/16-18 x 1/2" HH GR5	4
48406	Black Knob 5/16-18	1
504	Lock Washer Spring 5/16"	3
53640	Drag Stake	1
53660	Tail Mount Depth Regulator	1
1101A	Wheel, Lock Pin Left & Right	2
69170	Detent Pin 5/16 x 2" Zinc	1
719	Spring Washer 3/8"	2
727A	Forward Belt	1
730	Reverse Belt	1
7401	Pulley, Two Groove Transmission	1
802	Bolt 5/16-24 x 3/4"	1
803	Washer 5/16" x 1-1/2"	1
804	Key 3/16" x 1"	1
805	Washer Flat 11/16 ID x 1-1/4 OD	3

SRT WHEEL & TILLER SHAFT PARTS & PARTS LIST



PART #	DESCRIPTION	QTY.
1500P1	Complete Transmission Assembly (not fully shown)	1
1500P104	Shim Drive Shaft	6
1500P105	Tapered Roller Bearing	2
1500P106	Shaft Drive SRT	1
1500P107	Bushing	4
1500P108	Shim	8
1500P109	Ring Retainer Shaft	4
1500P110	Seal, Grease Tine and Wheel Shaft	4

PART #	DESCRIPTION	QTY.
1500P112	Gear Tine SRT	1
1500P113	Key Woodruff 6 X 25	2
1500P114	Shaft Tine	1
1500P115	Transmission Assembly Lockpin (complete assembly not shown)	1
1500P116	E-Clip	2
1500P117	Gear Wheel	1
1500P118	Shaft Wheel Long	1