

OPERATION AND PARTS MANUAL



***WHITEMAN* SERIES** **MODEL JTO** **RIDE-ON TROWEL** **(B & S VANGUARD/HONDA ENGINES)**

Revision #6 (09/26/14)

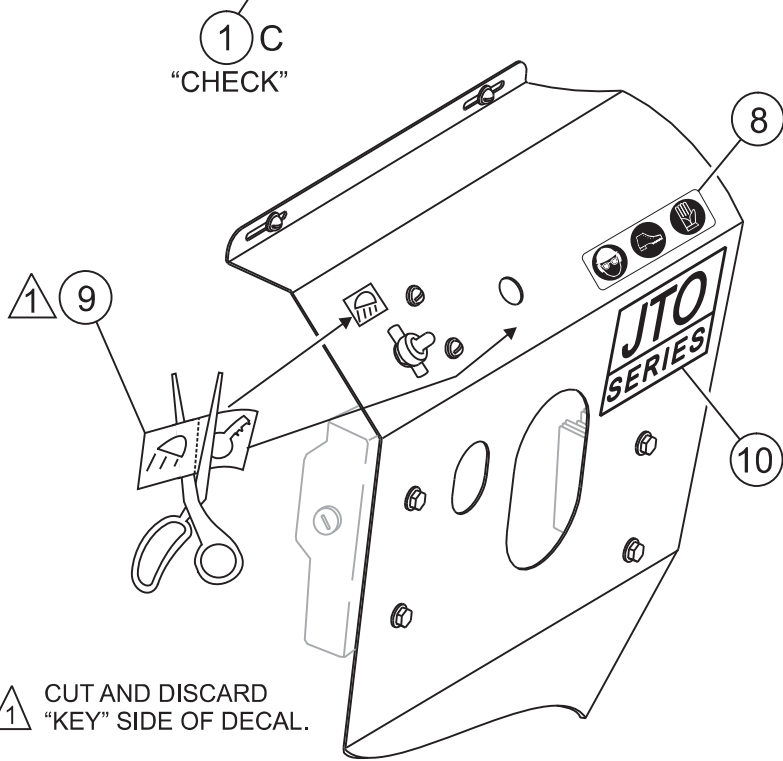
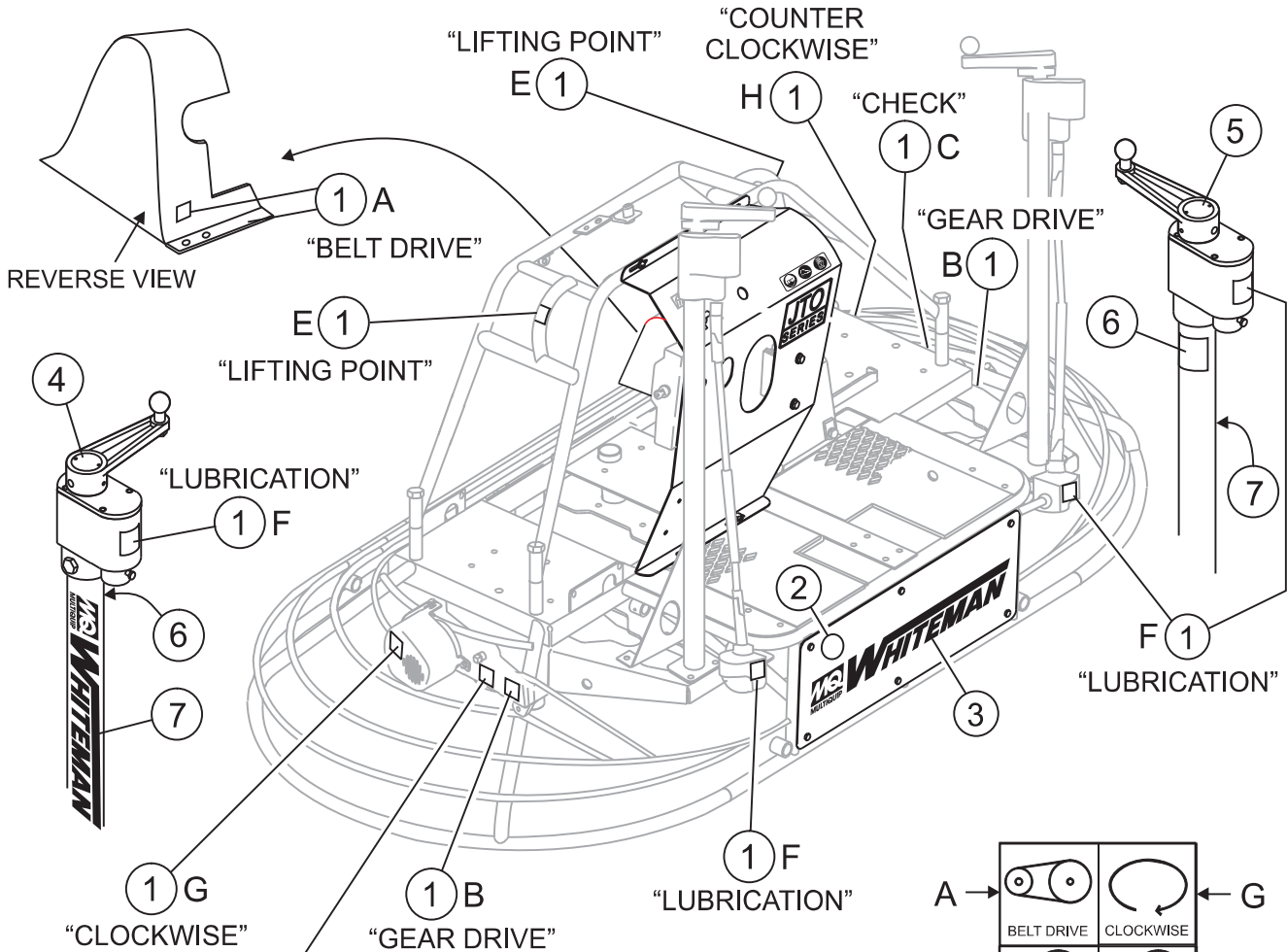
To find the latest revision of this
publication, visit our website at:
www.multiquip.com.



THIS MANUAL MUST ACCOMPANY THE EQUIPMENT AT ALL TIMES.

P/N 11280

JTO RIDE-ON TROWEL — NAMEPLATE AND DECALS



1 CUT AND DISCARD "KEY" SIDE OF DECAL.

A →			← G
B →			
C →			
D →			← H
E →			
F →			

DECAL SHEET
INTL STDS ISO
P/N 11246

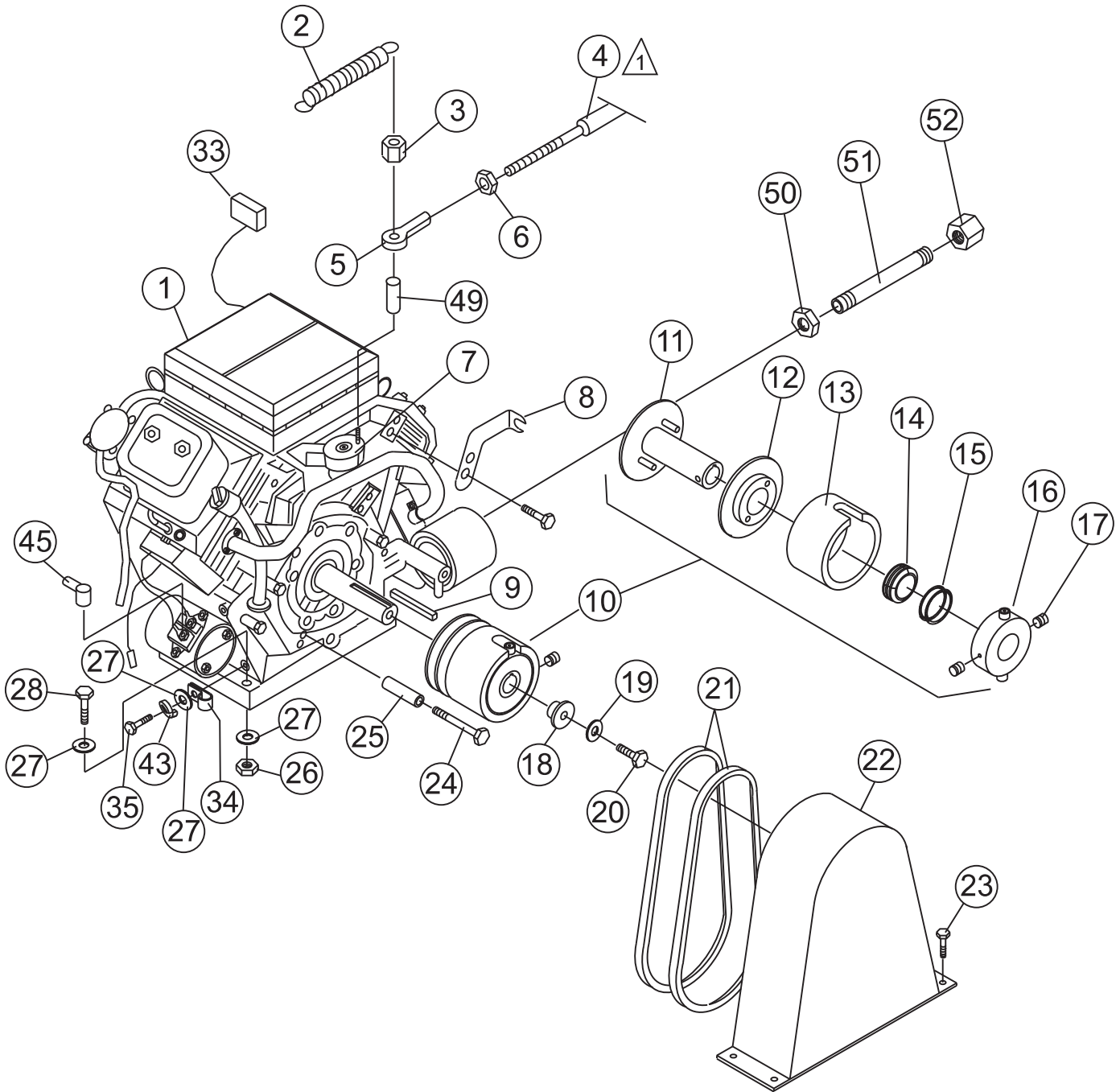
JTO RIDE-ON TROWEL — NAMEPLATE AND DECALS

NAMEPLATE AND DECALS

<u>NO.</u>	<u>PART NO.</u>	<u>PART NAME</u>	<u>QTY.</u>	<u>REMARKS</u>
1	11246	DECAL SET, INTERNATIONAL STDS	1	
2	13118	DECAL, POWDER COATED	1	
3	10818	DECAL, MQ-WHITEMAN 24 X 3	1	
4	2300	DECAL, AL PITCH RH	1	
5	2332	DECAL, AL PITCH LH	1	
6	2634	DECAL, SPRING SAFETY	2	
7	1499	DECAL, MQ-WHITEMAN RED/TOWER	2	
8	11247	DECAL, SAFETY CLOTHING	1	
9	2814	DECAL, CONTROL PANEL	1	
10	20925	DECAL, JTO SERIES	1	

JTO RIDE-ON POWER TROWEL—VANGUARD ENGINE & CLUTCH ASSY.

VANGUARD ENGINE AND CLUTCH ASSY.



NOTES:

- △ 1 FOR COMPLETE ASSEMBLY. SEE THROTTLE CABLE AND FOOT PEDAL ASSEMBLY.

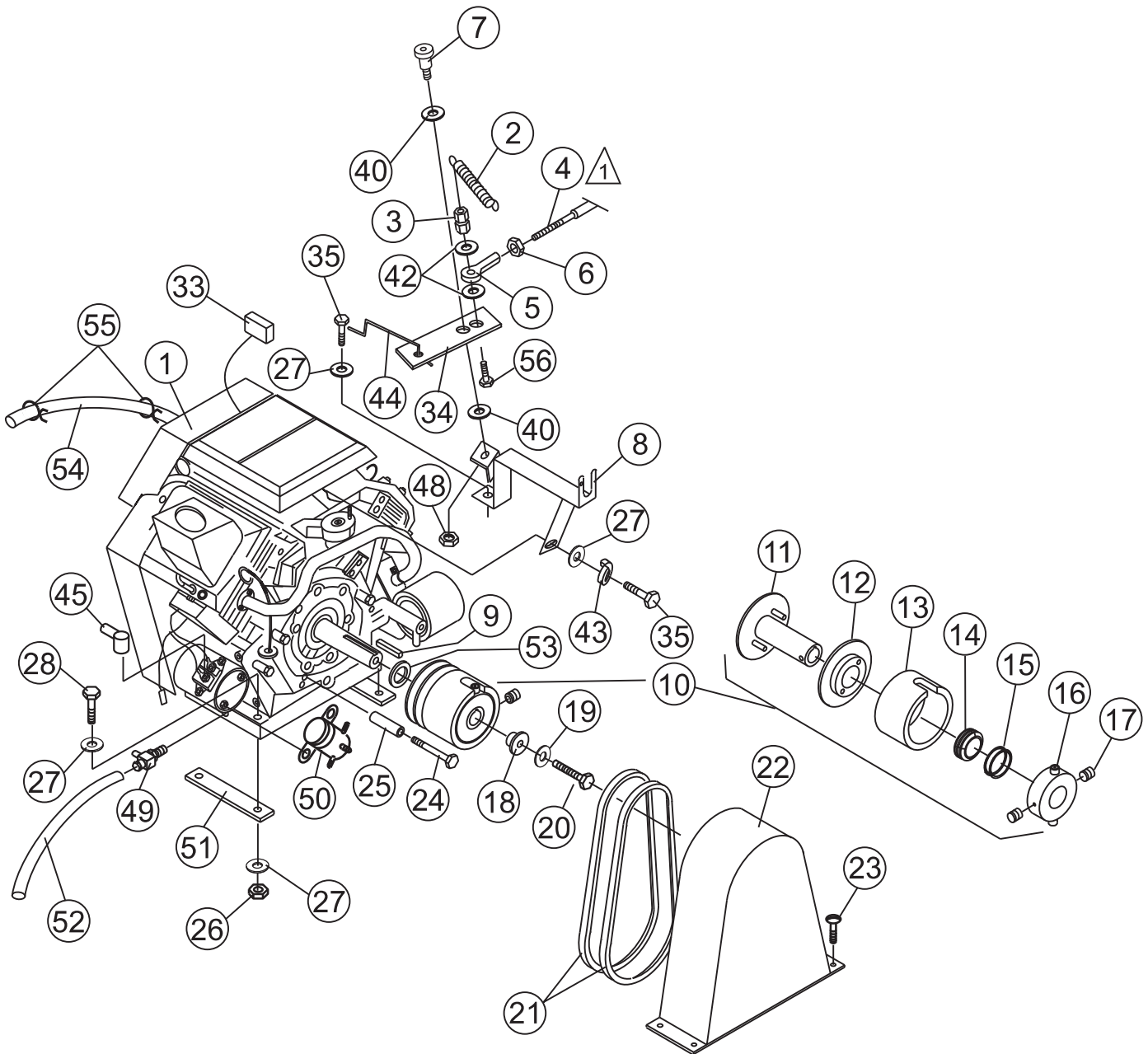
JTO RIDE-ON POWER TROWEL—VANGUARD ENGINE & CLUTCH ASSY.

VANGUARD ENGINE AND CLUTCH ASSY.

<u>NO.</u>	<u>PART NO.</u>	<u>PART NAME</u>	<u>QTY.</u>	<u>REMARKS</u>
1	2883	ENGINE, VANGUARD 18 HP	1	SPECIFICATION NO. 350447-0086-01
2	2192	THROTTLE SPRING	1	
3	2194	THROTTLE NUT	1	
4	2124	THROTTLE CABLE	1	
5	2153	SPHERICAL BEARING	1	
6	0937	HEX NUT 10-32	1	
7	2650	GOVERNOR ASSY.	1	
8	2162	THROTTLE CABLE MTK. BRKT.	1	
9	0310	CLUTCH KEY 1/4 X 1/4 X 1.1/2"	1	
10	2516	4" CLUTCH ASSY.. 1" BORE	1	
11	1882	CLUTCH SPINDLE	1	
12	1886	CLUTCH PULLEY	1	
13	2504	CLUTCH BOWL	1	
14	2451	CLUTCH WEIGHT	4	
15	2450	WEIGHT SPRING	2	
16	2506	CLUTCH PLATE (WITH ROLLERS)	1	
17	1893	SHSS 3/8- 24 X 5/8"	2	
18	9123	CLUTCH RETAINER	1	
19	0166 A	LOCK WASHER 3/8"	1	
20	0478	HHCS 3/8- 24 X 2.1/4"	1	
21	1619	DRIVE BELT A-39 (100 RPM, 7-9/16")	2	USED WITH PULLEY P/N 10500
21	2155	DRIVE BELT A-37 (120 RPM, 6-1/2")	2	USED WITH PULLEY P/N 2019
21	11064	DRIVE BELT A-36 (138 RPM, 5-5/8")	2	USED WITH PULLEY P/N 11047
22	2134	BELT GUARD	1	
23	1273	HHSTS 8- 32 X 3/8"	4	
24	0169	HHCS 3/8- 16 X 3"	1	
25	2257	BELT GUIDE	1	
26	5283	LOCK NUT 5/16- 18	4	
27	0300 B	FLAT WASHER 5/16"	9	
28	1207	HHCS 5/16- 18 X 1.3/4"	4	
33	2655	HOUR METER	1	
34	8126	HOSE CLAMP	1	
35	2299	HHCS 8MM- 1.25 X 15MM	1	
43	0161 C	LOCK WASHER 5/16"	1	
49	2190	SPACER	1	
50	10490	LOCK NUT 3/8 NPT	1	
51	12328	PIPE NIPPLE	1	
52	10491	PIPE CAP	1	

JTO RIDE-ON POWER TROWEL— HONDA ENGINE AND CLUTCH ASSY.

HONDA ENGINE AND CLUTCH ASSY.



NOTES:

△ 1 FOR COMPLETE ASSEMBLY. SEE THROTTLE CABLE AND FOOT PEDAL ASSEMBLY.

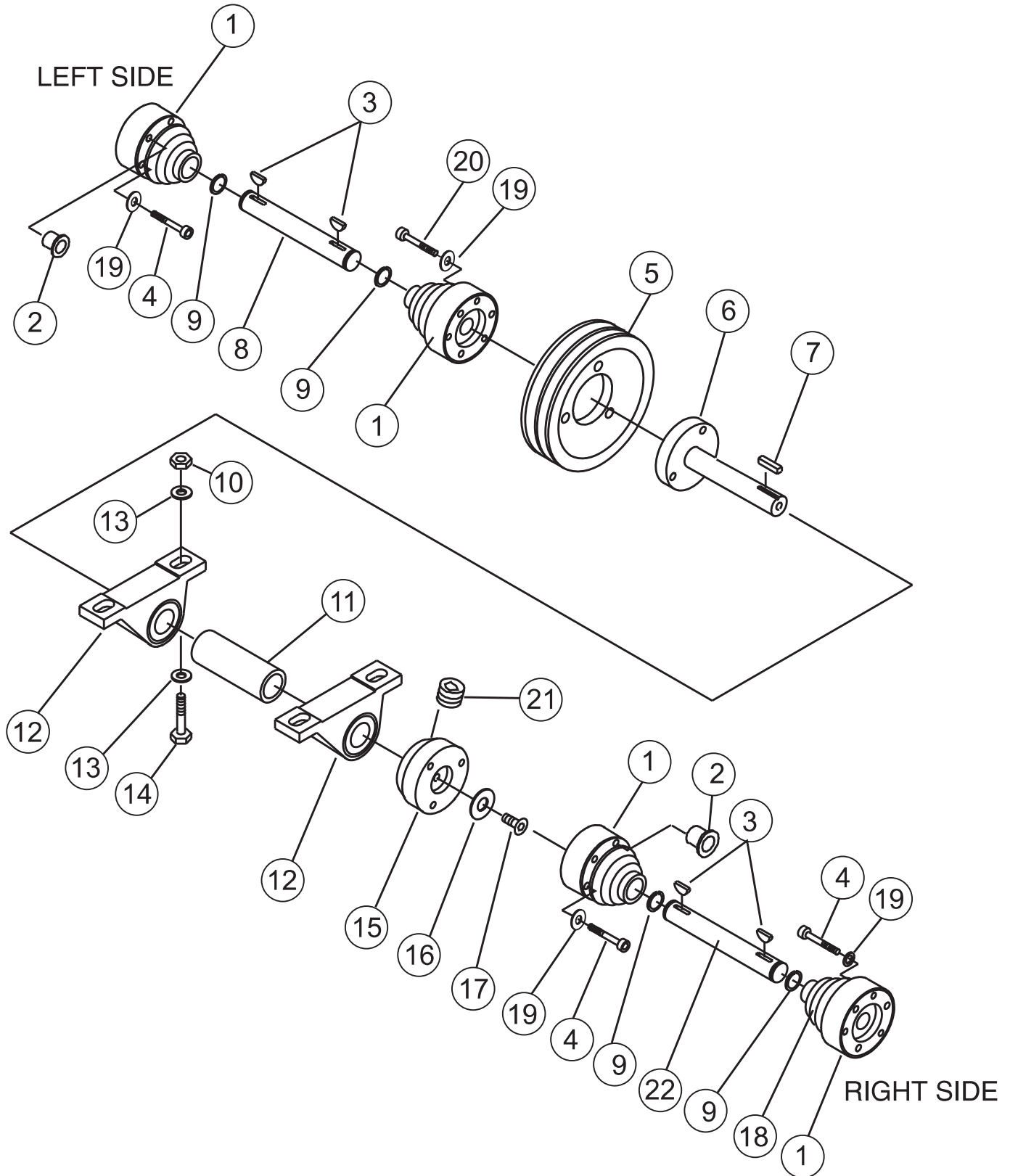
JTO RIDE-ON POWER TROWEL— HONDA ENGINE AND CLUTCH ASSY.

HONDA ENGINE AND CLUTCH ASSY.

<u>NO.</u>	<u>PART NO.</u>	<u>PART NAME</u>	<u>QTY.</u>	<u>REMARKS</u>
1	10931	ENGINE HONDA, GX620K1QXB120HP	1	
2	2192	THROTTLE SPRING	1	
3	2194	THROTTLE NUT	1	
4	10568	THROTTLE CABLE	1	
5	2153	SPHERICAL BEARING	1	
6	0937	HEX NUT 10- 32	1	
7	10990	SHOULDER BOLT	1	
8	10964	THROTTLE CABLE MTG. BRKT.	1	
9	0310	SQUARE KEY 1/4 X 1/4 X 1.1/2"	1	
10	2516	4" CLUTCH ASSY. 1" BORE	1	
11	1882	CLUTCH SPINDLE	1	
12	1886	CLUTCH PULLEY ASSY.	1	
13	2504	CLUTCH BOWL ASSY.	1	
14	2939	CLUTCH WEIGHT SET	1	
15	2450	WEIGHT SPRING	2	
16	2506	CLUTCH PLATE (WITH ROLLERS)	1	
17	1893	SHSS 3/8- 24 X 5/8"	2	
18	9123	CLUTCH RETAINER	1	
19	0166 A	LOCK WASHER 3/8"	1	
20	2667	HHCS 3/8- 24 X 2.1/2"	1	
21	1619	DRIVE BELT A-39 (100 RPM)	2	USED WITH PULLEY P/N 10500 (7-9/16")
21	2155	DRIVE BELT A-37 (120 RPM)	2	USED WITH PULLEY P/N 2019 (6-1/2")
21	11064	DRIVE BELT A-36 (138 RPM)	2	USED WITH PULLEY P/N 11047 (5-5/8")
22	11114	BELT GUARD	1	
23	1273	HHSTS 8- 32 X 3/8"	4	
24	0169	HHCS 3/8- 16 X 3"	1	
25	2257	BELT GUIDE	1	
26	5283	LOCK NUT 5/16- 18	4	
27	0300 B	FLAT WASHER 5/16"	10	
28	0669 A	HHCS 5/16- 18 X 2.1/4"	4	
33	2655	HOUR METER	1	
34	10954	THROTTLE LEVER	1	
35	2299	HHCS M8- 1.25 X 15MM	2	
40	0948	WASHER, FLAT 3/8"	2	
42	2203	FLAT WASHER #10	8	
43	0161 C	LOCK WASHER 5/16"	1	
44	10955	THROTTLE WIRE	1	
45	2762	TERMINAL BOOT	1	
48	1618	LOCK NUT 10-24	1	
49	10963	OIL DRAIN VALVE	1	
50	2207	SOLENOID	1	
51	10984	ENGINE SPACER	2	
52	10987	OIL DRAIN HOSE	1	
53	10948	SPACER	1	
54	10962	FUEL HOSE	1	
55	2138	HOSE CLAMP	2	
56	10018	SHCS 10- 32 X 1"	1	

JTO RIDE-ON POWER TROWEL— DRIVE ASSY.

DRIVE ASSY.



JTO RIDE-ON POWER TROWEL— DRIVE ASSY.

DRIVE ASSY.

<u>NO.</u>	<u>PART NO.</u>	<u>PART NAME</u>	<u>QTY.</u>	<u>REMARKS</u>
1	2052	C.V. JOINT	4	
2	11602	PLUG	12	REPLACES 2218
3	0126	WOODRUFF KEY #9	4	
4	2186	SHCS 5/16- 18 X 2.1/4"	9	
5	2019	PULLEY (6-1/2", 120 RPM)	1	USE DRIVE BELT 2155 A-37,
5	10500	PULLEY (7-9/16", 100 RPM)	1	USE DRIVE BELT 1619 A-39
5	11047	PULLEY (5-5/8", 138 RPM)	1	USE DRIVE BELT 11064 A-36
6	2034	BEARING SHAFT	1	
7	10909	KEY 3/16 X 3/16 X 13/16"	1	REPLACES P/N 2126
8	2071	DRIVE SHAFT, LEFT-SIDE	2	
9	2090	SNAP RING	4	
10	10133	LOCK NUT 3/8"	4	
11	10513	SPACER	1	
12	10337	PILLOW BLOCK BEARING	2	
13	10136	FLAT WASHER 3/8"	8	
14	1284	HHCS 3/8- 16 X 1.1/2"	4	
15	2029	COUPLER 1" I.D.	1	
16	2037	RETAINING WASHER	1	
17	1146	FHSCS 5/16- 18 X 1"	1	
18	2259	C.V. JOINT BOOT (REPLACEMENT ONLY)	1	
19	0161 C	FLAT WASHER 5/16"	12	
20	2187	SHCS 5/16- 18 X 2.1/2"	3	
21	10138	SHSS 1/4- 20 X 1/2"	1	
22	2074	DRIVE SHAFT, RIGHT-SIDE	1	

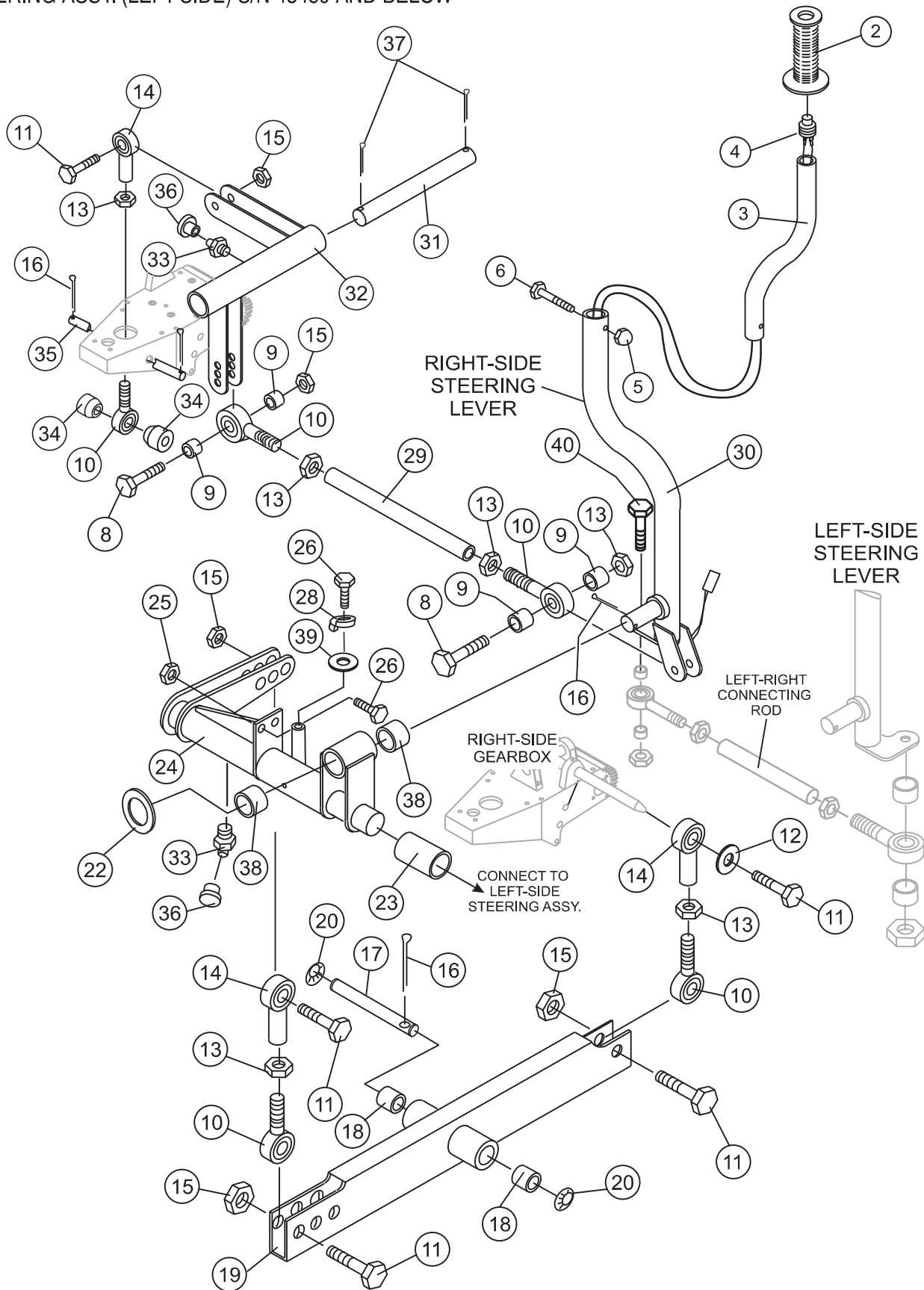
JTO RIDE-ON POWER TROWEL— STEERING ASSY. (LEFT-SIDE)

STEERING ASSY. (LEFT-SIDE) S/N 43489 AND BELOW

<u>NO.</u>	<u>PART NO.</u>	<u>PART NAME</u>	<u>QTY.</u>	<u>REMARKS</u>
1	0189	LEFT-SIDE HAND GRIP	1	
3	10130	HANDLE EXTENSION	1	
5	2197	ACORN NUT 1/4- 20	1	
6	0424	HHCS 1/4- 20 X 1.1/4"	1	
7	10131	LEFT HANDLE	1	
8	9154	HHCS 3/8- 16 X 1.3/4"	2	
9	2196	SPACER	4	
10	2063	SPHERICAL BEARING	4	RIGHT HAND MALE
11	11090	HHCS 3/8- 16 X 1.1/4"	4	
12	0166 A	LOCK WASHER 3/8"	1	
13	2199	JAM NUT 3/8- 24	4	
14	2064	SPHERICAL BEARING	2	RIGHT HAND FEMALE
15	10133	LOCK NUT 3/8- 16	4	
16	0164 B	COTTER PIN	2	
17	11275	CLEVIS PIN	1	
18	1484	BUSHING	2	
19	11085	STEERING CONTROL LEVER	1	REPLACES 2891
20	10136	FLAT WASHER 3/8"	1	
21	2356	LEFT-SIDE STEERING ASSY.	1	
22	8151	FLAT WASHER 3/4"	1	
25	5283	LOCK NUT 5/16- 18	4	
26	0655	HHCS 5/16- 18 X 3/4"	5	
27	2352	CONNECTOR ROD	1	
28	0161 C	LOCK WASHER 5/16"	1	
33	5228	GREASE FITTING	1	
36	1162 A	LUBRA- CAP	1	
38	12408	BUSHING	2	REPLACES 2168
39	0300 B	FLAT WASHER 5/16"	1	

JTO RIDE-ON POWER TROWEL— STEERING ASSY. (RIGHT-SIDE)

STEERING ASSY. (LEFT-SIDE) S/N 43489 AND BELOW



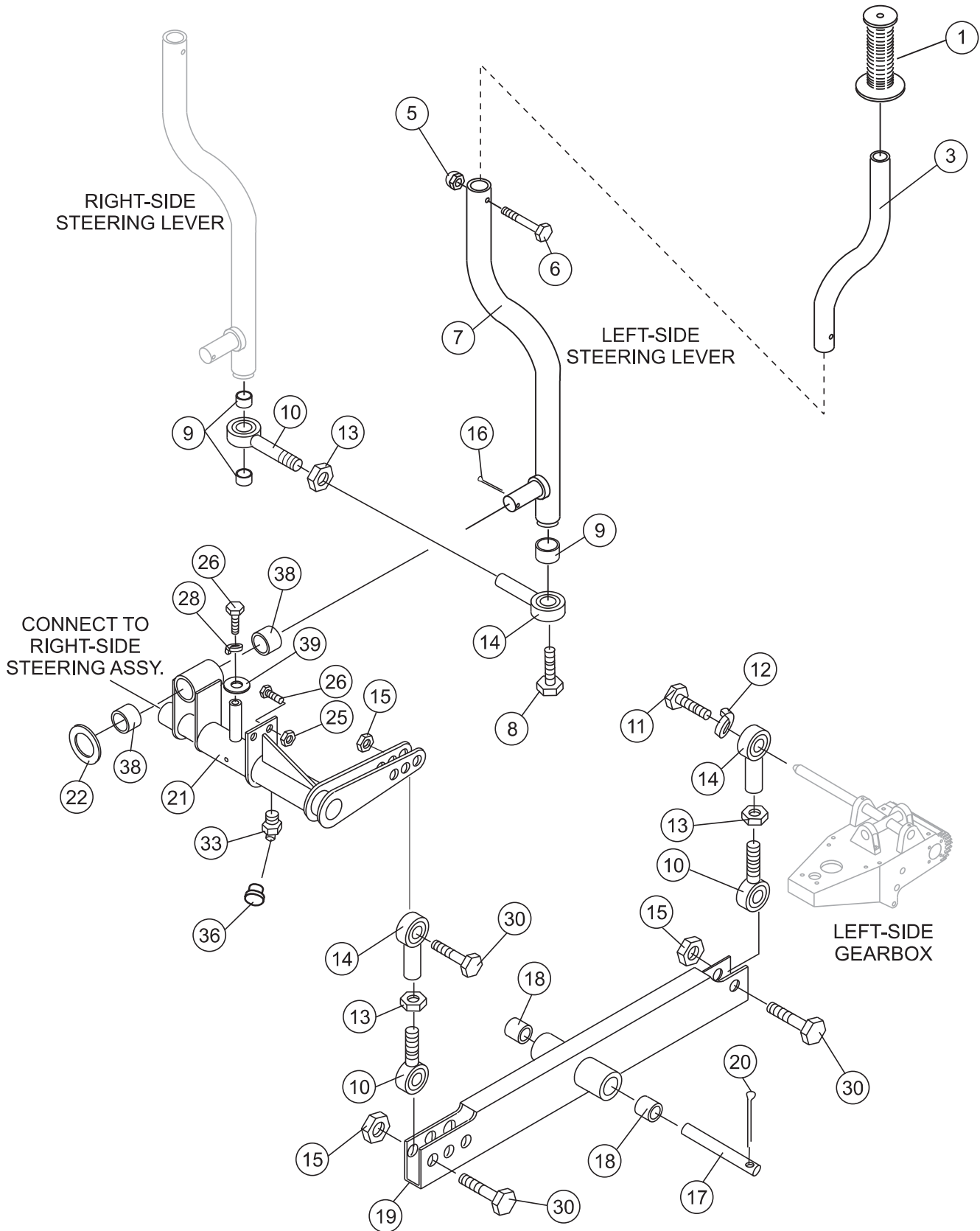
JTO RIDE-ON POWER TROWEL— STEERING ASSY. (RIGHT-SIDE)

STEERING ASSY. (LEFT-SIDE) S/N 43489 AND BELOW

<u>NO.</u>	<u>PART NO.</u>	<u>PART NAME</u>	<u>QTY.</u>	<u>REMARKS</u>
2	2267	RIGHT-SIDE HAND GRIP	1	
3	10130	HANDLE EXTENSION	1	
4	2765	RETARDANT SPRAY SWITCH	1	
5	2197	ACORN NUT 1/4- 20	1	
6	0424	HHCS 1/4- 20 X 1.1/4"	1	
8	9154	HHCS 3/8- 16 X 1.3/4"	2	
9	2196	SPACER	4	
10	2063	SPHERICAL BEARING	5	RIGHT HAND MALE
11	11090	HHCS 3/8- 16 X 1.1/4"	5	
12	0166 A	LOCK WASHER 3/8"	1	
13	2199	JAM NUT 3/8- 24	5	
14	2064	SPHERICAL BEARING	3	RIGHT HAND FEMALE
15	10133	LOCK NUT 3/8- 16	5	
16	0164 B	COTTER PIN	3	
17	11275	CLEVIS PIN	1	
18	1484	BUSHING	2	
19	11085	STEERING CONTROL LEVER	1	REPLACES 2891
20	10136	FLAT WASHER 3/8"	1	
22	8151	FLAT WASHER 3/4"	1	
23	2123	CENTER SUPPORT	2	
24	2225	RIGHT-SIDE STEERING ASSY.	1	
25	5283	LOCK NUT 5/16- 18	4	
26	0655	HHCS 5/16- 18 X 3/4"	5	
28	0161 C	LOCK WASHER 5/16"	1	
29	2820	LINKAGE ROD	1	
30	10132	RIGHT HANDLE	1	
31	2080	RIGHT/LEFT MOTION SHAFT	1	
32	2036	RIGHT/LEFT MOTION ARM	1	
33	5228	GREASE FITTING	3	
34	2188	SPACER	2	
35	3550	ADAPTER PLATE PIN	1	
36	1162 A	LUBRA- CAP	3	
37	2219	COTTER PIN	2	
38	12408	BUSHING	2	REPLACES 2168
39	0300 B	FLAT WASHER 5/16"	1	

JTO RIDE-ON POWER TROWEL— STEERING ASSY. (LEFT-SIDE)

STEERING ASSY. (LEFT-SIDE) S/N 43490 TO 46645



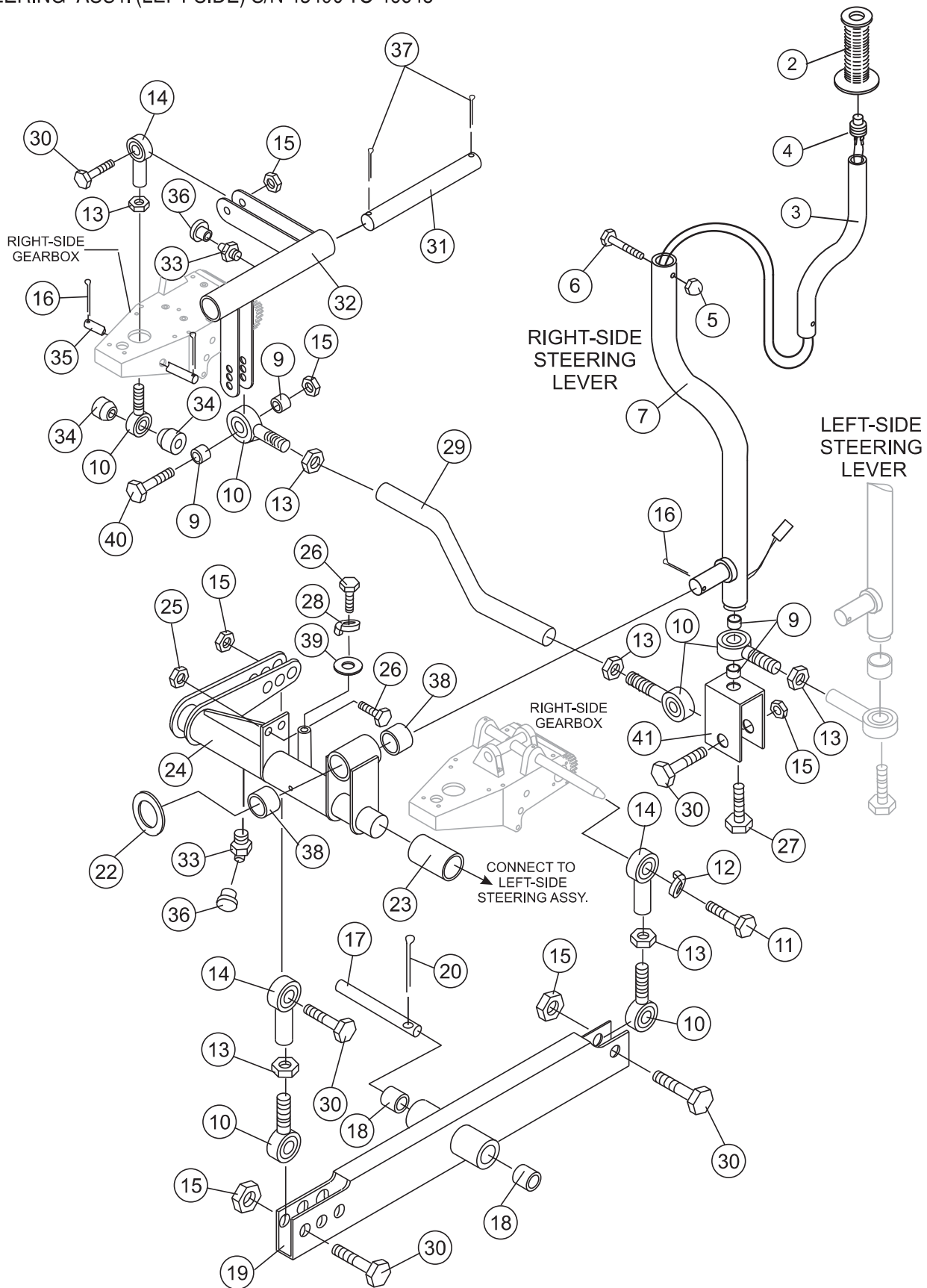
JTO RIDE-ON POWER TROWEL— STEERING ASSY. (LEFT-SIDE)

STEERING ASSY. (LEFT-SIDE) S/N 43490 TO 46645

<u>NO.</u>	<u>PART NO.</u>	<u>PART NAME</u>	<u>QTY.</u>	<u>REMARKS</u>
1	0189	LEFT-SIDE HAND GRIP	1	NO OPTIONS
1	2267	LEFT-SIDE HAND GRIP	1	RETARDANT SPRAY OPTIONS
3	10130	HANDLE EXTENSION	2	
5	2197	ACORN NUT 1/4- 20	1	
6	0424	HHCS 1/4- 20 X 1.1/4"	1	
7	11079	LOWER HANDLE	1	
8	11090	SHCS 3/8- 16 X 1.1/4"	1	
9	2196	SPACER	1	
10	2063	SPHERICAL BEARING	3	RIGHT HAND MALE
11	1023	HHCS 3/8- 16 X 1.1/4"	1	
12	0166 A	LOCK WASHER 3/8"	1	
13	2199	JAM NUT 3/8- 24	4	
14	2064	SPHERICAL BEARING	3	RIGHT HAND FEMALE
15	10133	LOCK NUT 3/8- 16	4	
16	0183	COTTER PIN 1/8" X 1.1/4"	1	
17	11275	PIN	1	
18	11072	BEARING	1	
19	11085	STEERING CONTROL LEVER	1	
20	3216	COTTER PIN 1/8 X 1"	1	
21	2356	LEFT SIDE STEERING ASSY.	1	
22	11265	FLAT WASHER	1	
25	5283	LOCK NUT 5/16- 18	4	
26	0655	HHCS 5/16- 18 X 3/4"	6	
28	0161 C	LOCK WASHER 5/16"	2	
30	1284	HHCS 3/8- 16 X 1.1/2"	8	
33	5228	GREASE FITTING	3	
36	1162 A	LUBRA- CAP	1	
38	2168	BUSHING	2	
39	0300 B	FLAT WASHER 5/16"	1	

JTO RIDE-ON POWER TROWEL— STEERING ASSY. (RIGHT-SIDE)

STEERING ASSY. (LEFT-SIDE) S/N 43490 TO 46645



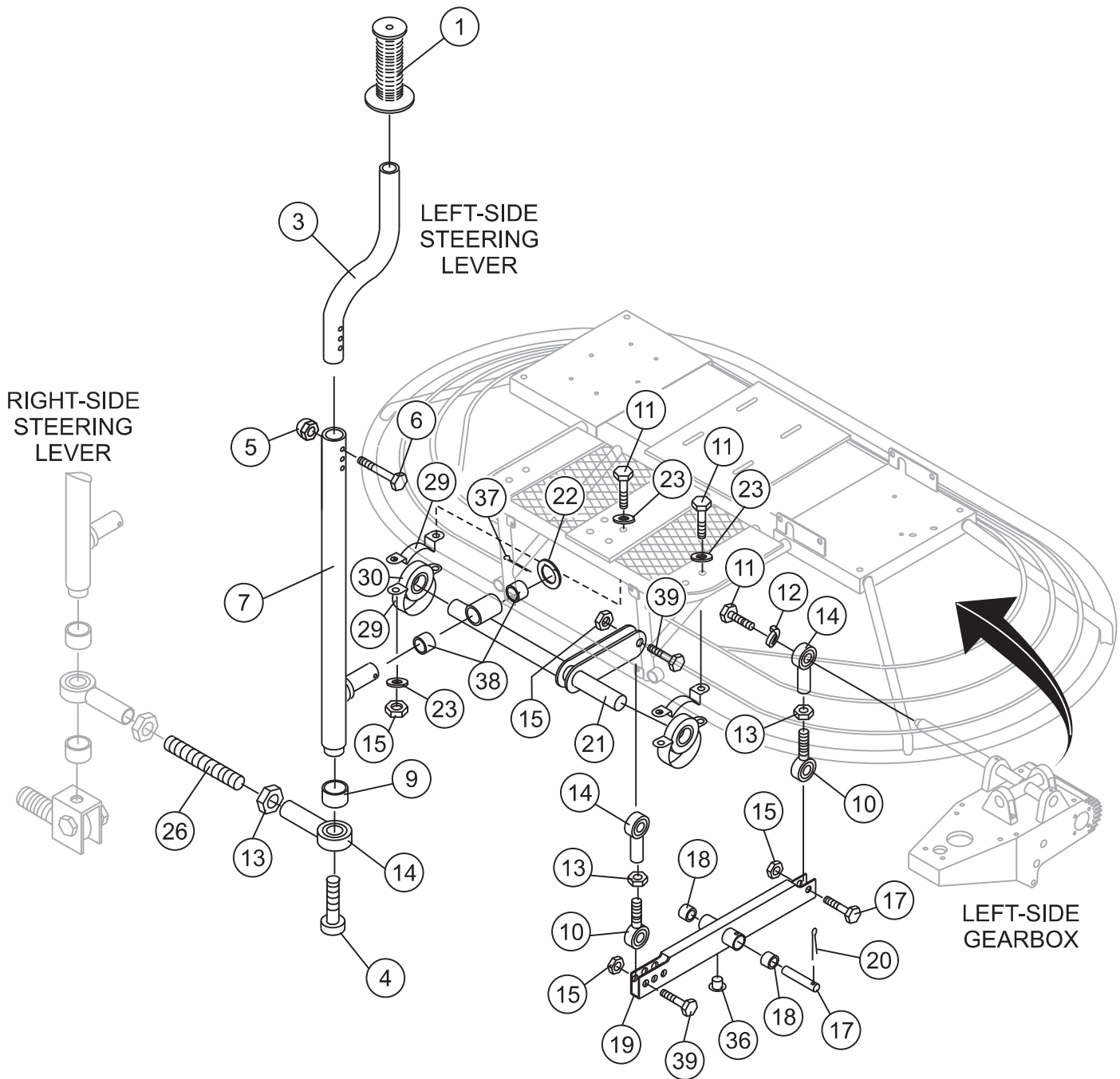
JTO RIDE-ON POWER TROWEL— STEERING ASSY. (RIGHT-SIDE)

STEERING ASSY. (LEFT-SIDE) S/N 43490 TO 46645

<u>NO.</u>	<u>PART NO.</u>	<u>PART NAME</u>	<u>QTY.</u>	<u>REMARKS</u>
2	2267	RIGHT-SIDE HAND GRIP	1	
3	10130	HANDLE EXTENSION	1	
4	2765	RETARDANT SPRAY SWITCH	1	
5	2197	ACORN NUT 1/4- 20"	1	
6	0424	HHCS 1/4- 20 X 1.1/4"	1	
7	11079	LOWER HANDLE	1	
9	2196	SPACER	1	
10	2063	SPHERICAL BEARING	4	RIGHT HAND MALE
11	1023	HHCS 3/8- 16 X 1.1/4"	1	
12	0166 A	LOCK WASHER 3/8"	1	
13	2199	JAM NUT 3/8- 24	4	
14	2064	SPHERICAL BEARING	4	RIGHT HAND FEMALE
15	10133	LOCK NUT 3/8- 16	5	
16	0183	COTTER PIN 1/8" X 1.1/4"	3	
17	11275	PIN	1	
18	11072	BEARING	1	
19	11085	STEERING CONTROL LEVER	1	
20	3216	COTTER PIN 1/8 X 1"	1	
22	11265	FLAT WASHER	1	
23	2123	CENTER SPACER	1	
24	2225	RIGHT SIDE STEERING ASSY.	1	
25	5283	LOCK NUT 5/16- 18	4	
26	0655	HHCS 5/16- 18 X 3/4"	6	
27	11089	SHCS 3/8- 16 X 2"	1	
28	0161 C	LOCK WASHER 5/16"	2	
29	11300	LINKAGE ROD	1	UP TO S/N 43740
29	11304	LINKAGE ROD	1	S/N 43741~
30	1284	HHCS 3/8- 16 X 1.1/2"	8	
31	2080	RIGHT / LEFT MOTION SHAFT	1	
32	2036	RIGHT / LEFT MOTION ARM	1	
33	5228	GREASE FITTING	3	
34	2188	SPACER	2	
35	3550	ADAPTER PLATE PIN	1	
36	1162 A	LUBRA- CAP	2	
37	2219	COTTER PIN	2	
38	2168	BUSHING	2	
39	0300 B	FLAT WASHER 5/16"	2	
40	1665	HHCS 3/8- 16 X 2"	1	
41	11303	BRACKET	1	

JTO RIDE-ON POWER TROWEL— STEERING ASSY. (LEFT-SIDE)

STEERING ASSY. (LEFT-SIDE) S/N 46646~



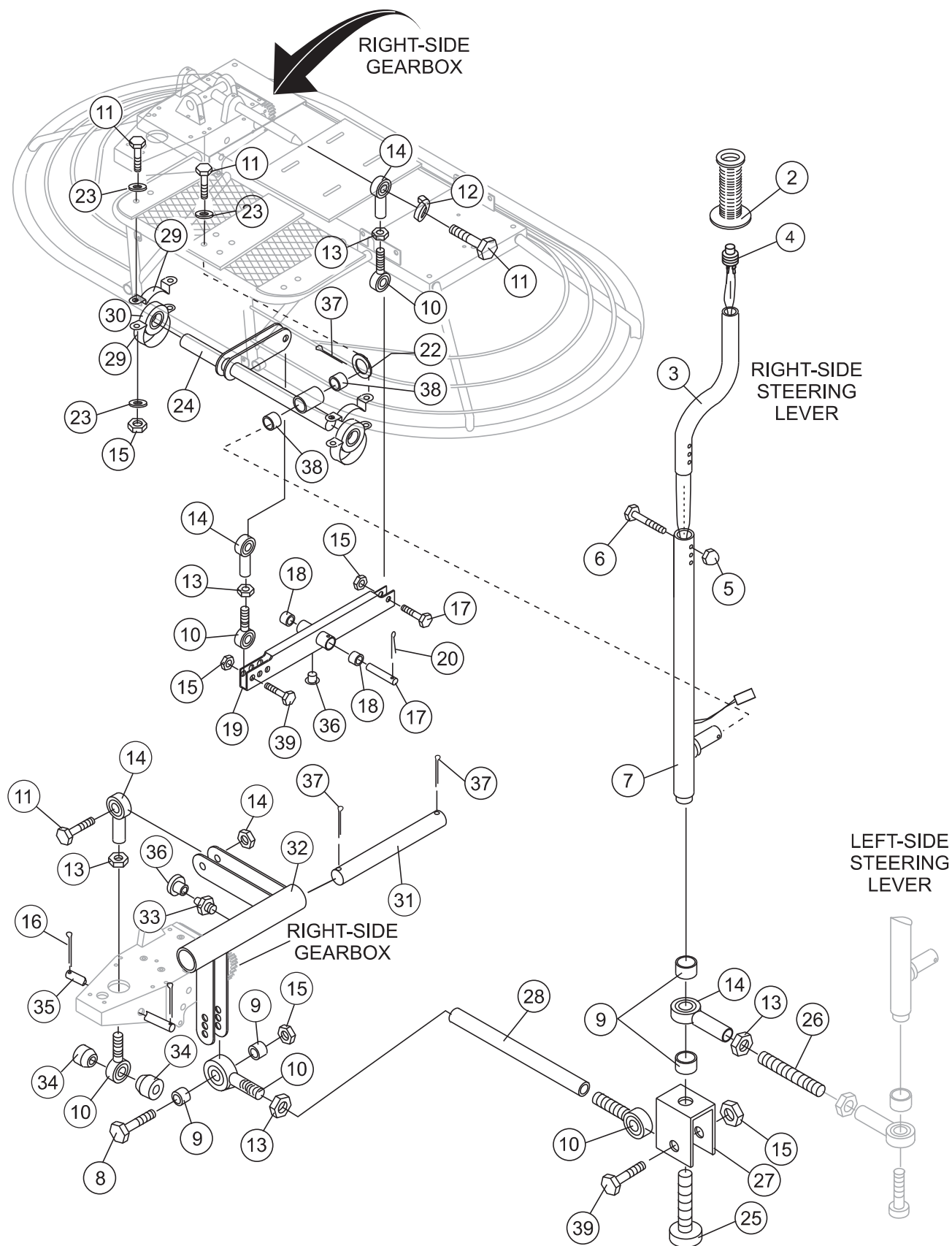
JTO RIDE-ON POWER TROWEL— STEERING ASSY. (LEFT-SIDE)

STEERING ASSY. (LEFT-SIDE) S/N 46646~

<u>NO.</u>	<u>PART NO.</u>	<u>PART NAME</u>	<u>QTY.</u>	<u>REMARKS</u>
1	0189	LEFT-SIDE HAND GRIP	1	NO OPTIONS
1	2267	LEFT-SIDE HAND GRIP	1	RETARDANT SPRAY OPTIONS
3	10130	HANDLE EXTENSION	1	
4	11090	SHCS 3/8- 16 X 1.1/4"	1	
5	2197	ACORN NUT 1/4- 20	1	
6	0424	HHCS 1/4- 20 X 1.1/4"	1	
7	11079	HANDLE, LOWER	1	
9	2196	SPACER	1	
10	2063	SPHERICAL BEARING	7	RIGHT HAND MALE
11	1023	HHCS 3/8- 16 X 1.1/4"	5	
12	0166 A	LOCK WASHER 3/8"	1	
13	2199	JAM NUT 3/8-24"	5	
14	2064	SPHERICAL BEARING	3	RIGHT HAND FEMALE
15	10133	LOCK NUT 3/8-16"	8	
17	11275	PIN	1	
18	11072	BEARING	2	
19	11071	STEERING CONTROL LEVER	1	
20	6014 B	COTTER PIN	1	
21	11510	LEFT-SIDE STEERING ASSY.	1	FROM S/N 46646 TO 61579
21	12865	LEFT-SIDE STEERING ASSY.	1	FROM S/N 61580 ~
22	11265	FLAT WASHER 3/4"	1	
23	10136	FLAT WASHER 3/8"	4	
26	11498	LINKAGE ROD	1	
29	11138	BEARING HOUSING	2	
30	11149	BEARING	2	
36	1162 A	LUBRA- CAP	1	
37	2219	COTTER PIN	1	
38	2168	BUSHING	2	
39	1284	HHCS 3/8- 16 X 1.1/2"	4	

JTO RIDE-ON POWER TROWEL— STEERING ASSY. (RIGHT-SIDE)

STEERING ASSY. (LEFT-SIDE) S/N 46646~



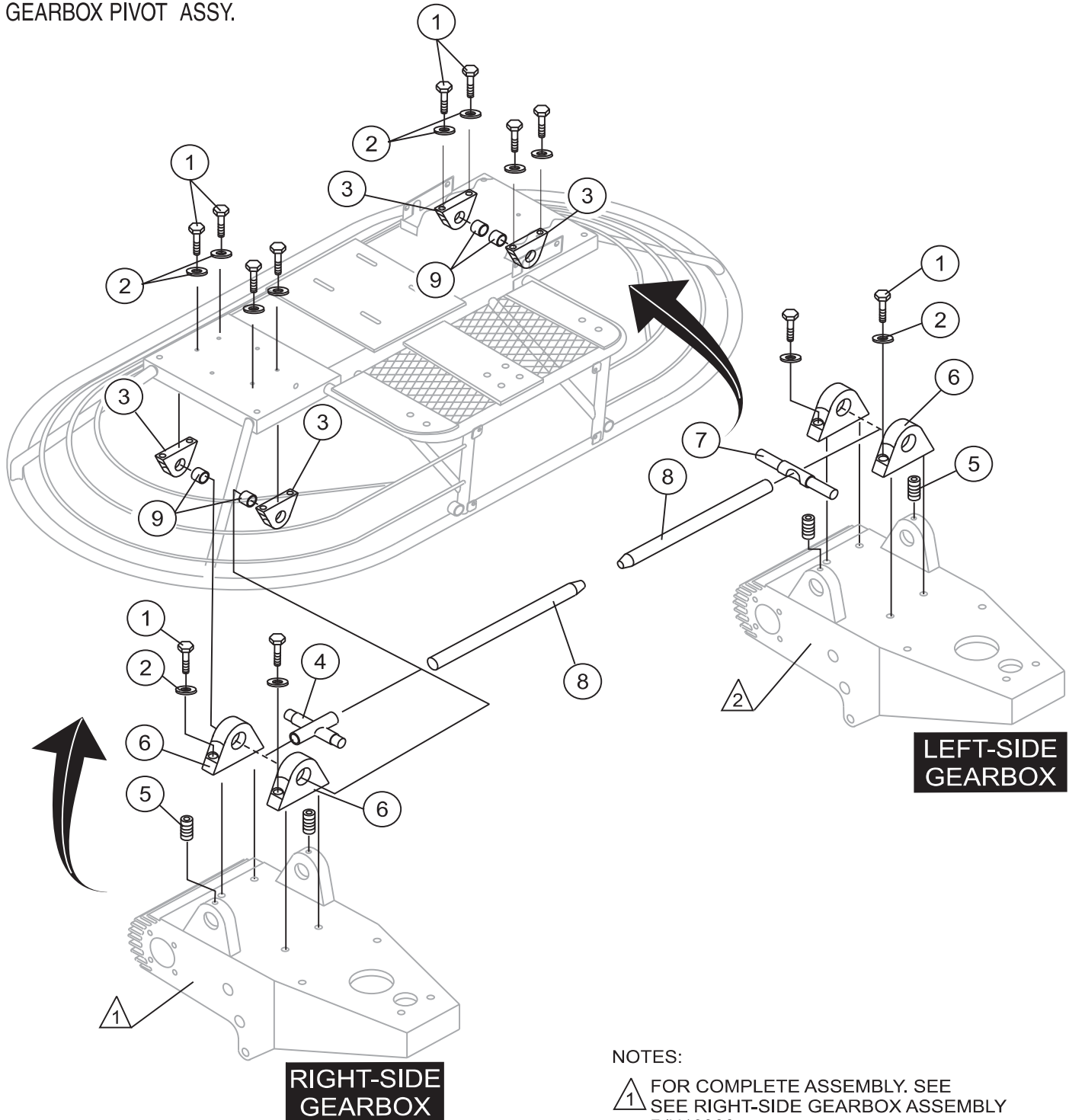
JTO RIDE-ON POWER TROWEL— STEERING ASSY. (RIGHT-SIDE)

STEERING ASSY. (LEFT-SIDE) S/N 46646~

<u>NO.</u>	<u>PART NO.</u>	<u>PART NAME</u>	<u>QTY.</u>	<u>REMARKS</u>
2	2267	RIGHT-SIDE HAND GRIP	1	
3	10130	HANDLE EXTENSION	1	
4	2765	RETARDANT SPRAY SWITCH	1	
5	2197	ACORN NUT 1/4- 20	1	
6	0424	HHCS 1/4- 20 X 1.1/4"	1	
7	11079	HANDLE, LOWER	1	
8	1665	HHCS 3/8- 16 X 2"	1	
9	2196	SPACER	3	
10	2063	SPHERICAL BEARING	4	RIGHT HAND MALE
11	1023	HHCS 3/8- 16 X 1.1/4"	5	
12	0166 A	LOCK WASHER 3/8"	2	
13	2199	JAM NUT 3/8- 24	4	
14	2064	SPHERICAL BEARING	4	RIGHT HAND FEMALE
15	10133	LOCK NUT 3/8- 16	4	
16	0183	COTTER PIN	1	
17	11275	PIN	1	
18	11072	BEARING	2	
19	11071	STEERING CONTROL LEVER	1	
20	6014B	COTTER PIN	1	
22	11265	FLAT WASHER 3/4"	1	
23	10136	FLAT WASHER 3/8"	4	
24	11511	RIGHT-SIDE STEERING ASSY.	1	FROM S/N S/N 46646 TO 61579
24	12866	RIGHT-SIDE STEERING ASSY.	1	FROM S/N 61580~
25	11089	SHCS 3/8- 16 X 2"	1	
26	11498	LINKAGE ROD	1	
27	11303	BRACKET	1	
28	11538	LINKAGE ROD	1	
29	11138	BEARING HOUSING	2	
30	11149	BEARING	2	
31	11497	RIGHT / LEFT MOTION SHAFT	1	
32	11441	RIGHT / LEFT MOTION ARM	1	
33	5228	GREASE FITTING	1	
34	2188	SPACER	2	
35	3550	ADAPTER PLATE PIN	1	
36	1162 A	LUBRA- CAP	2	
37	2219	COTTER PIN	2	
38	2168	BUSHING	4	
39	1284	HHCS 3/8- 16 X 1.1/2"	4	

JTO RIDE-ON POWER TROWEL— GEARBOX PIVOT ASSY.

GEARBOX PIVOT ASSY.



NOTES:

⚠ FOR COMPLETE ASSEMBLY. SEE
SEE RIGHT-SIDE GEARBOX ASSEMBLY
P/N10966.

⚠ FOR COMPLETE ASSEMBLY. SEE
SEE LEFT-SIDE GEARBOX ASSEMBLY
P/N10967.

JTO RIDE-ON POWER TROWEL— GEARBOX PIVOT ASSY.

GEARBOX PIVOT ASSY.

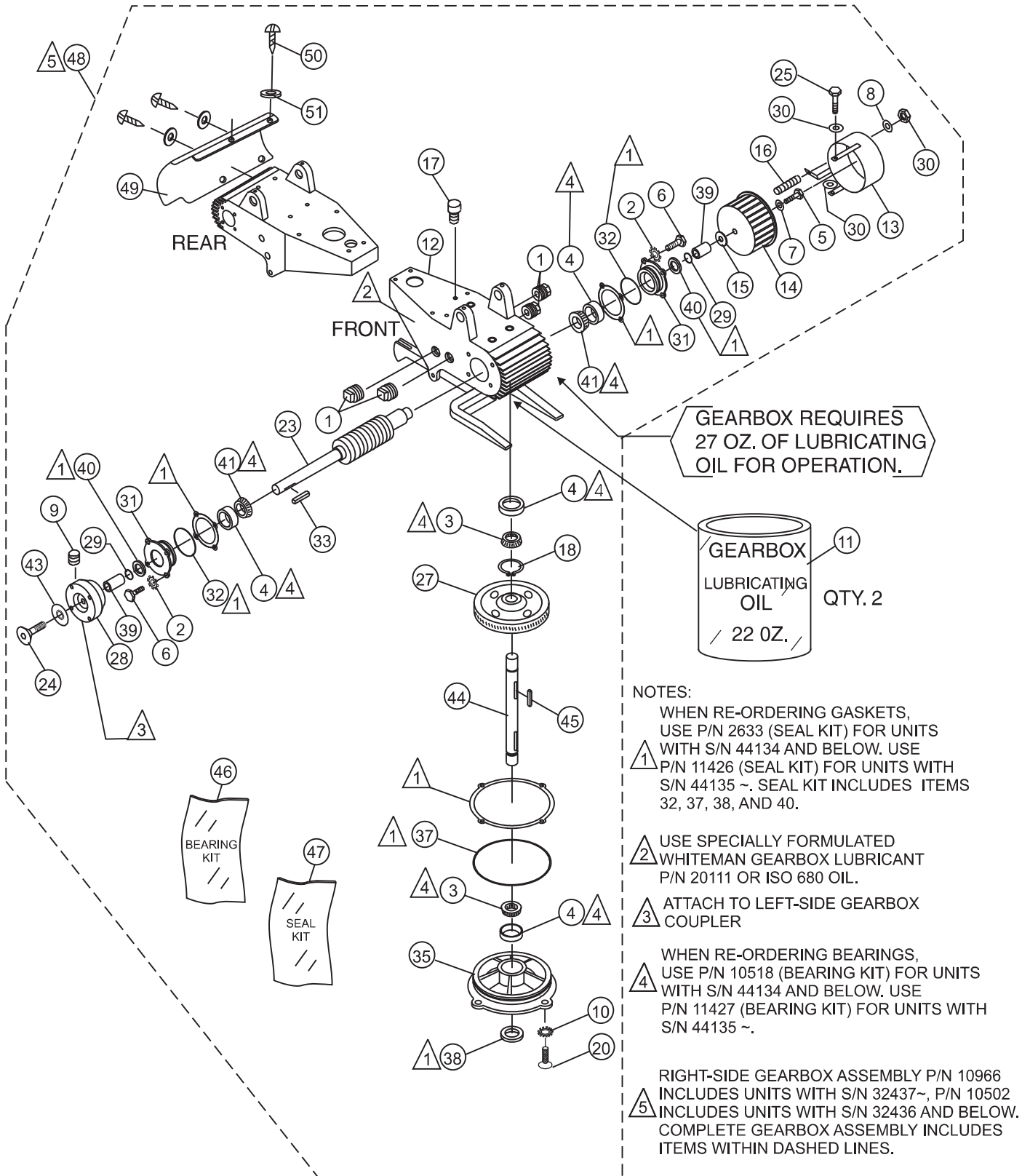
<u>NO.</u>	<u>PART NO.</u>	<u>PART NAME</u>	<u>QTY.</u>	<u>REMARKS</u>
1	1023	HHCS 3/8- 16 X 1.1/4"	12	
2	0166 A	LOCK WASHER 3/8"	12	
3	2079	ROCKER BLOCK ASSY.	4	
4	2044	PIVOT ARM ASSY.	1	
5	10138	SHSS 1/4- 20 X 1/2"	4	
6	10973	ROCKER BLOCK	4	
7	2076	PIVOT SHAFT	1	
8	2107	CONTROL PIVOT TUBE	2	
9	2088	BUSHING	4	

NOTE:

AFTER PRESSING BUSHING ITEM 9 INTO ROCKER BLOCK, REAM TO .752 INCHES \pm .001

JTO RIDE-ON POWER TROWEL— GEARBOX ASSY. (RIGHT-SIDE)

GEARBOX ASSY. (RIGHT-SIDE) WITH 1-1/8 DIA. SHAFT.



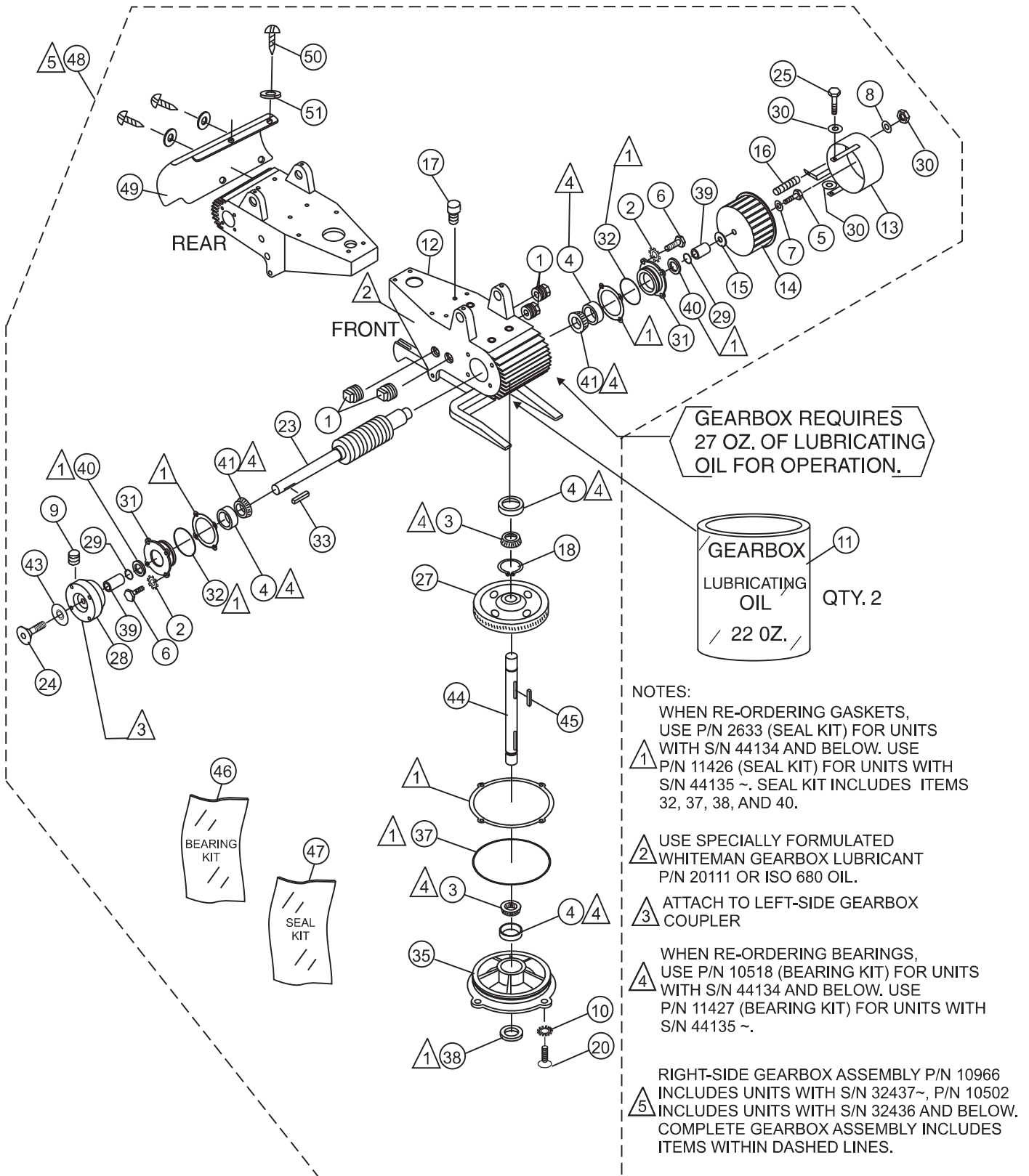
JTO RIDE-ON POWER TROWEL— GEARBOX ASSY. (RIGHT-SIDE)

GEARBOX ASSY. (RIGHT-SIDE) WITH 1-1/8 DIA. SHAFT.

<u>NO</u>	<u>PART NO</u>	<u>PART NAME</u>	<u>QTY.</u>	<u>REMARKS</u>
1%@	0121 A	FITTING, PLUG 3/8MP SQ HEAD	3	
2%	10031	WASHER, COPPER 1/4"	8	
3*%\$@	0232	BEARING, CONE, TIMKEN #1985	2	
4*%\$@	0232 A	BEARING, CUP, TIMKEN #1932	4	
5@	0424	SCREW, HHC 1/4-20 X 1-1/4"	1	
6@	2295	SCREW, HHC 1/4-20 X 1"	8	UP TO S/N 32436
6@	0730	SCREW FHSCS, 5/16-18 X 1"	8	S/N 32437~
7%	10930	WASHER, FLAT, 1/4 SAE	1	
8%	10237	EXT. SHKP WASHER	1	
9%@	10138	SCREW, SHS 1/4-20 X 1/2", N.P.	1	
10%@	10235	WASHER, C/S EXT. SHKP, 5/16	4	
11%@	20111	GEARBOX LUBRICATING OIL (22.OZ. BOTTLE) ..	2	GEARBOX REQUIRES 27 OZ.
12%	10492	GEARBOX (CASE ONLY)	1	S/N 32436 AND BELOW
12%	10800	GEARBOX (CASE ONLY)	1	S/N 32437~
13%	10890	FAN COVER, RIGHT-SIDE	1	
14%	10921	FAN, AAI 3.5 X 1.5 CW ROTATION	1	
15%	10930	WASHER, FENDER, 1/4 X 1-1/4"	1	
16%	10989	STUD, 10-32 X 3/4"	1	
17%@	1132	VENT, AIR	1	
18%@	1138	RING, SNAP, TRUARC 5100-112	1	
20%@	20875	SCREW, FHSC 5/16-18 X 1", NYLOC, NP	4	
23@	10493	RS WORM AND C/SHAFT W/BEARING	1	S/N 39205 AND BELOW
23@	10876	RS WORM AND C/SHAFT W/BEARING	1	S/N 39206- TO 44134
23%	11231	RS WORM AND C/SHAFT W/BEARING	1	S/N 44135 ~
24%@	1146	SCREW, FHSC 3/8-24 X 3/4 PLAIN	1	
25%	19477	HEX SLOTTED WASHER HEAD 10-32 X 1/2"	2	
27%@	2249	GEAR, WORM GEAR, RH	1	
28%@	2030	COUPLER- 7/8" ID	1	
29%@	2115	O-RING, SIZE -022, BUNA-N	2	S/N 44134 AND BELOW
30%	2203	WASHER, FLAT, #10	3	

JTO RIDE-ON POWER TROWEL— GEARBOX ASSY. (RIGHT-SIDE)

GEARBOX ASSY. (RIGHT-SIDE) WITH 1-1/8 DIA. SHAFT.



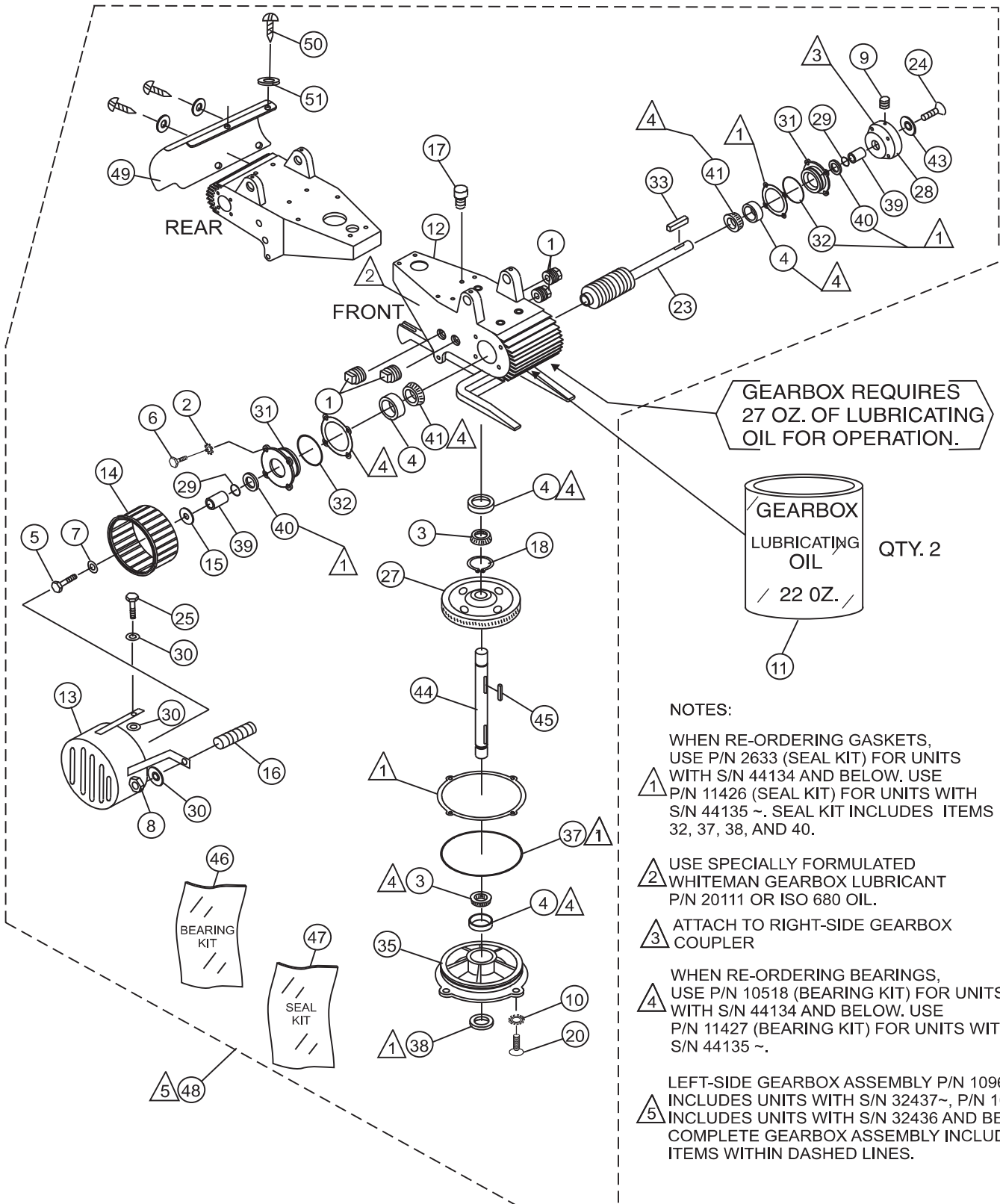
JTO RIDE-ON POWER TROWEL— GEARBOX ASSY. (RIGHT-SIDE)

GEARBOX ASSY. (RIGHT-SIDE) WITH 1-1/8 DIA. SHAFT.

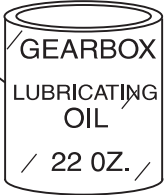
NO	PART NO	PART NAME	QTY.	REMARKS
31@	10499	END CAP	1	S/N 32436 AND BELOW
31%	10498	COUNTERSHAFT FLANGE	2	S/N 32437~
31@	10499	END CAP	1	S/N 32436 AND BELOW
32#%@	2308	O-RING, 2- 13/1"	2	
33%@	2126	KEY, 1/4 X 1/4 X 13/16"	1	
35%@	1145	PLATE, COVER	1	
37#%@	1143	O-RING, A-264	1	
38#%@	10461	SEAL, OIL, 471763	1	
39%	10497	SPACER, 1-1/4 X 1 X 1.375" L	2	S/N 44134 AND BELOW
40#@	10460	SEAL, OIL, NATIONAL #471413	2	S/N 32436 AND BELOW
40+%	11417	SEAL, OIL, TCM09142VTB-H24V	2	S/N 32437~
41*%@	19393-002	BEARING, #1986	2	S/N 44134 AND BELOW
41%\$	11318	BEARING, #7205	2	S/N 44135 AND ABOVE
43%@	2037	RETAINER, DRIVEN PULLEY	1	
44%@	2231	MAINSHAFT	1	
45%@	2229	KEY, 5/16 X 1-7/16" HRDND	1	
46@	10518	BEARING KIT (S/N 44134 AND BELOW)	1	INCLUDES ITEMS W/*
46%	11427	BEARING KIT (S/N 44135 AND ABOVE)	1	INCLUDES ITEMS W/\$
47@	2633	SEAL KIT (S/N 44134 AND BELOW)	1	INCLUDES ITEMS W/#
47%	11426	SEAL KIT (S/N 44135 AND ABOVE)	1	INCLUDES ITEMS W/+
48	10502	GEARBOX ASSY. (S/N 32436 AND BELOW)	1	INCLUDES ITEMS W/@
48	10966	GEARBOX ASSY. (S/N 32437 AND ABOVE)	1	INCLUDES ITEMS W/%
49%	12982	COVER, GEARBOX COOLING FINS	1	
50%	5031 A	SCREW 1/4-20 X 1/2"	4	
51%	0948	WASHER, FLAT 1/4"	4	

JTO RIDE-ON POWER TROWEL— GEARBOX ASSY. (LEFT-SIDE)

GEARBOX ASSY. (LEFT-SIDE 1-1/8 DIAMETER SHAFT)



GEARBOX REQUIRES
27 OZ. OF LUBRICATING
OIL FOR OPERATION.



QTY. 2

NOTES:

WHEN RE-ORDERING GASKETS,
USE P/N 2633 (SEAL KIT) FOR UNITS
WITH S/N 44134 AND BELOW. USE
P/N 11426 (SEAL KIT) FOR UNITS WITH
S/N 44135 ~. SEAL KIT INCLUDES ITEMS
32, 37, 38, AND 40.

USE SPECIALLY FORMULATED
WHITEMAN GEARBOX LUBRICANT
P/N 20111 OR ISO 680 OIL.

ATTACH TO RIGHT-SIDE GEARBOX
COUPLER

WHEN RE-ORDERING BEARINGS,
USE P/N 10518 (BEARING KIT) FOR UNITS
WITH S/N 44134 AND BELOW. USE
P/N 11427 (BEARING KIT) FOR UNITS WITH
S/N 44135 ~.

LEFT-SIDE GEARBOX ASSEMBLY P/N 10967
INCLUDES UNITS WITH S/N 32437~, P/N 10503
INCLUDES UNITS WITH S/N 32436 AND BELOW.
COMPLETE GEARBOX ASSEMBLY INCLUDES
ITEMS WITHIN DASHED LINES.

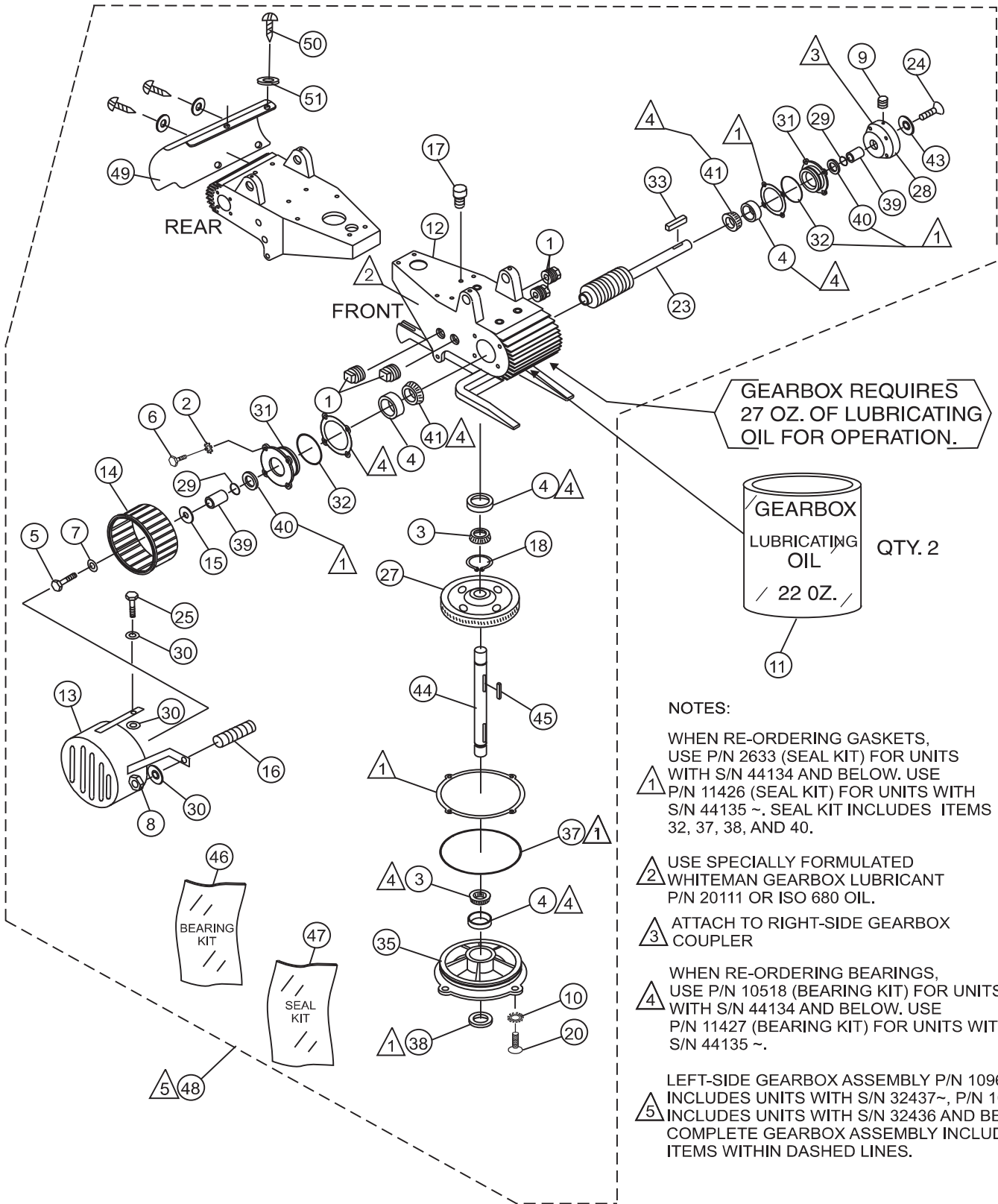
JTO RIDE-ON POWER TROWEL— GEARBOX ASSY. (LEFT-SIDE)

GEARBOX ASSY. (LEFT-SIDE) WITH 1-1/8 DIA. SHAFT.

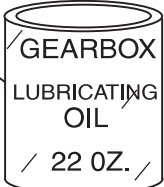
<u>NO</u>	<u>PART NO</u>	<u>PART NAME</u>	<u>QTY.</u>	<u>REMARKS</u>
1%@	0121 A	FITTING, PLUG 3/8MP SQ HEAD	3	
2%	10031	WASHER, COPPER 1/4"	8	
3*%\$@	0232	BEARING, CONE, TIMKEN #1985	2	
4*%\$@	0232 A	BEARING, CUP, TIMKEN #1932	4	
5@	0424	SCREW, HHC 1/4-20 X 1-1/4"	1	
6@	2295	SCREW, HHC 1/4-20 X 1"	8	UP TO S/N 32436
6@	0730	SCREW FHSCS, 5/16-18 X 1"	8	S/N 32437~
7%	10930	WASHER, FLAT, 1/4 SAE	1	
8%	10237	EXT. SHKP WASHER	1	
9%@	10138	SCREW, SHS 1/4-20 X 1/2", N.P.	1	
10%@	10235	WASHER, C/S EXT. SHKP, 5/16	4	
11%@	20111	GEARBOX LUBRICATING OIL (22.OZ. BOTTLE) ..	2	GEARBOX REQUIRES 27 OZ.
12%	10492	GEARBOX (CASE ONLY)	1	S/N 32436 AND BELOW
12%	10800	GEARBOX (CASE ONLY)	1	S/N 32437~
13%	10882	FAN COVER, LEFT-SIDE	1	
14%	10922	FAN, AAI 3.5 X 1.5 CCW ROT	1	
15%	10930	WASHER, FENDER, 1/4 X 1-1/4"	1	
16%	10989	STUD, 10-32 X 3/4"	1	
17%@	1132	VENT, AIR	1	
18%@	1138	RING, SNAP, TRUARC 5100-112	1	
20%@	20875	SCREW, FHSC 5/16-18 X 1", NYLOC, NP	4	
23@	10496	LS WORM AND C/SHAFT W/BEARING	1	S/N 39205 AND BELOW
23@	10877	LS WORM AND C/SHAFT W/BEARING	1	S/N 39206- TO 44134
23%	11232	LS WORM AND C/SHAFT W/BEARING	1	S/N 44135 ~
24%@	1146	SCREW, FHSC 3/8-24 X 3/4 PLAIN	1	
25%	19477	HEX SLOTTED WASHER HEAD 10-32 X 1/2"	2	
27%@	2250	GEAR, WORM GEAR, LH	1	
28%@	2030	COUPLER- 7/8" ID	1	
29%@	2115	O-RING, SIZE -022, BUNA-N	2	S/N 44134 AND BELOW
30%	2203	WASHER, FLAT, #10	3	

JTO RIDE-ON POWER TROWEL— GEARBOX ASSY. (LEFT-SIDE)

GEARBOX ASSY. (LEFT-SIDE) WITH 1-1/8 DIA. SHAFT.



GEARBOX REQUIRES
27 OZ. OF LUBRICATING
OIL FOR OPERATION.



QTY. 2

NOTES:

- WHEN RE-ORDERING GASKETS,
USE P/N 2633 (SEAL KIT) FOR UNITS
WITH S/N 44134 AND BELOW. USE
P/N 11426 (SEAL KIT) FOR UNITS WITH
S/N 44135 ~. SEAL KIT INCLUDES ITEMS
32, 37, 38, AND 40.
- USE SPECIALLY FORMULATED
WHITEMAN GEARBOX LUBRICANT
P/N 20111 OR ISO 680 OIL.
- ATTACH TO RIGHT-SIDE GEARBOX
COUPLER
- WHEN RE-ORDERING BEARINGS,
USE P/N 10518 (BEARING KIT) FOR UNITS
WITH S/N 44134 AND BELOW. USE
P/N 11427 (BEARING KIT) FOR UNITS WITH
S/N 44135 ~.
- LEFT-SIDE GEARBOX ASSEMBLY P/N 10967
INCLUDES UNITS WITH S/N 32437~, P/N 10503
INCLUDES UNITS WITH S/N 32436 AND BELOW.
COMPLETE GEARBOX ASSEMBLY INCLUDES
ITEMS WITHIN DASHED LINES.

JTO RIDE-ON POWER TROWEL— GEARBOX ASSY. (LEFT-SIDE)

GEARBOX ASSY. (LEFT-SIDE) WITH 1-1/8 DIA. SHAFT.

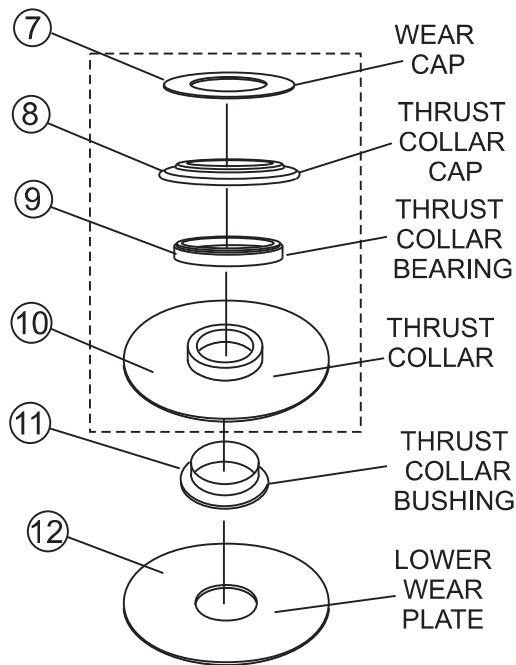
<u>NO</u>	<u>PART NO</u>	<u>PART NAME</u>	<u>QTY.</u>	<u>REMARKS</u>
31@	10499	END CAP	1	S/N 32436 AND BELOW
31%	10498	COUNTERSHAFT FLANGE	2	S/N 32437~
31@	10499	END CAP	1	S/N 32436 AND BELOW
32#%@+	2308	O-RING, 2- 13/1"	2	
33%@	2126	KEY, 1/4 X 1/4 X 13/16"	1	
35%@	1145	PLATE, COVER	1	
37#%@+	1143	O-RING, A-264	1	
38#%@+	10461	SEAL, OIL, 471763	1	
39%	10497	SPACER, 1-1/4 X 1 X 1.375" L	2	S/N 44134 AND BELOW
40#@	10460	SEAL, OIL, NATIONAL #471413	2	S/N 32436 AND BELOW
40+%	11417	SEAL, OIL, TCM09142VTB-H24V	2	S/N 32437~
41*%@	19393-002	BEARING, #1986	2	S/N 44134 AND BELOW
41%\$	11318	BEARING, #7205	2	S/N 44135 AND ABOVE
43%@	2037	RETAINER, DRIVEN PULLEY	1	
44%@	2231	MAINSHAFT	1	
45%@	2229	KEY, 5/16 X 1-7/16" HRDND	1	
46@	10518	BEARING KIT (S/N 44134 AND BELOW)	1	INCLUDES ITEMS W/*
46%	11427	BEARING KIT (S/N 44135 AND ABOVE)	1	INCLUDES ITEMS W/\$
47@	2633	SEAL KIT (S/N 44134 AND BELOW)	1	INCLUDES ITEMS W/#
47%	11426	SEAL KIT (S/N 44135 AND ABOVE)	1	INCLUDES ITEMS W/+
48	10503	GEARBOX ASSY. (S/N 32436 AND BELOW)	1	INCLUDES ITEMS W/@
48	10967	GEARBOX ASSY. (S/N 32437 AND ABOVE)	1	INCLUDES ITEMS W/%
49%	12982	COVER, GEARBOX COOLING FINS	1	
50%	5031 A	SCREW 1/4-20 X 1/2"	4	
51%	0948	WASHER, FLAT 1/4"	4	

JTO RIDE-ON POWER TROWEL—THRUST BEARING KIT ASSY.

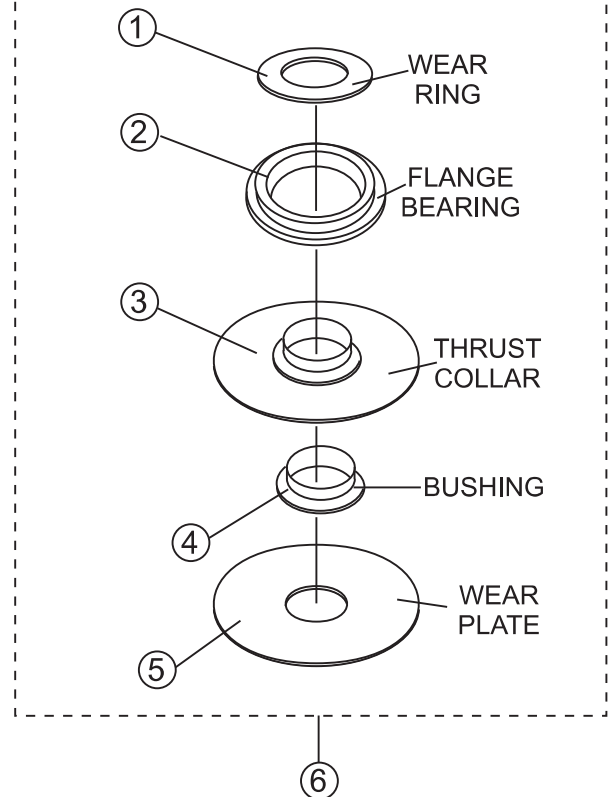
THRUST BEARING KIT ASSEMBLY.

THRUST BEARING KIT No. 10968

OLD STYLE THRUST BEARING NO LONGER USED



NEW STYLE THRUST BEARING



WHEN RE-ORDERING ***MUST*** USE
THRUST BEARING KIT P/N 10968.
OLD STYLE IS NOT AVAILABLE.

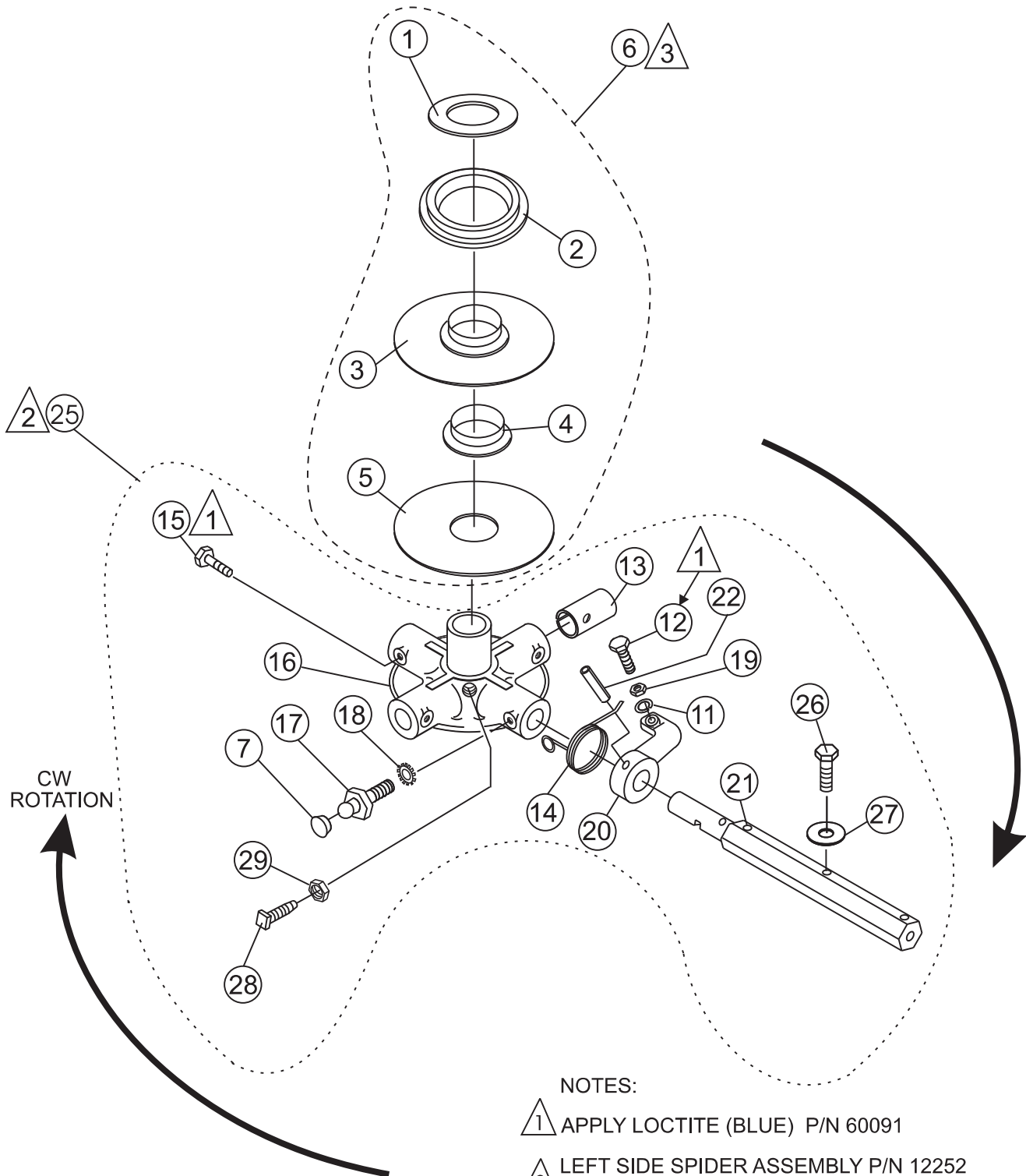
JTO RIDE-ON POWER TROWEL—THRUST BEARING KIT ASSY.

THRUST BEARING KIT ASSEMBLY.

<u>NO.</u>	<u>PART NO.</u>	<u>PART NAME</u>	<u>QTY.</u>	<u>REMARKS</u>
1*	12208	WEAR RING	1	NEW STYLE
2*	12778	FLANGE BEARING	1	NEW STYLE
3*	10793	THRUST COLLAR W/BUSHING	1	NEW STYLE
4*	1471	BUSHING	1	NEW STYLE
5*	1154 A	LOWER WEAR PLATE	1	NEW STYLE
6	10968	THRUST BEARING KIT	1	INCLUDES ITEMS W/*
7	1803	WEAR CAP	1	OLD STYLE
8	1152	THRUST COLLAR CAP	1	OLD STYLE
9	1153	THRUST COLLAR BEARING	1	OLD STYLE
10	1154	THRUST COLLAR	1	OLD STYLE
11	1471	THRUST COLLAR BUSHING	1	OLD STYLE
12	1154 A	LOWER WEAR PLATE	1	OLD STYLE

JTO RIDE-ON POWER TROWEL— SPIDER ASSY. (LEFT-SIDE)

LEFT SIDE SPIDER ASSEMBLY
(VIEW FROM DRIVERS SEAT)



NOTES:

- ① APPLY LOCTITE (BLUE) P/N 60091
- ② LEFT SIDE SPIDER ASSEMBLY P/N 12252
INCLUDES ALL ITEMS WITHIN OUTLINE.
- ③ THRUST BEARING KIT P/N 10968
INCLUDES ALL ITEMS WITHIN OUTLINE.

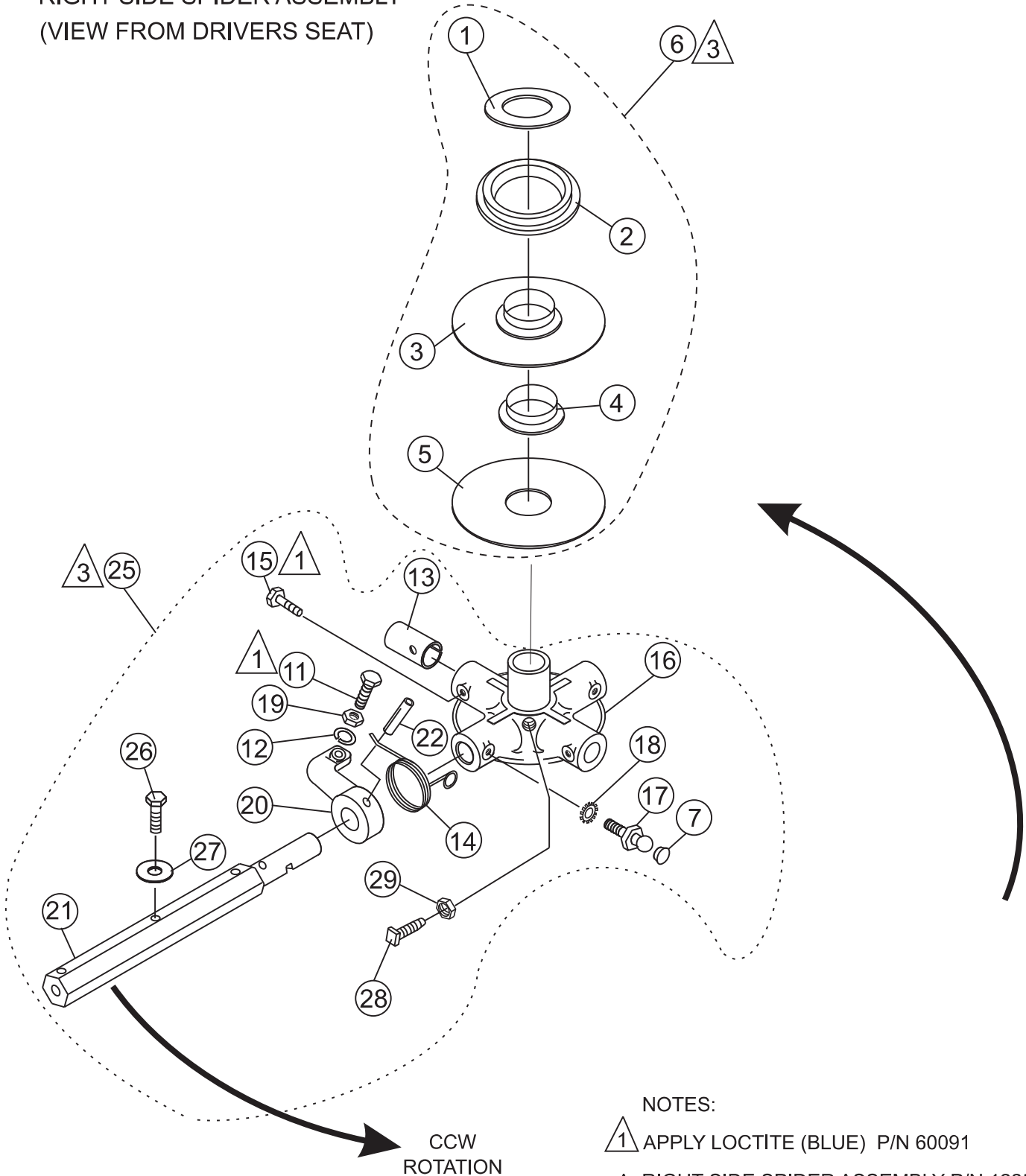
JTO RIDE-ON POWER TROWEL— SPIDER ASSY. (LEFT-SIDE)

4-BLADE SPIDER ASSY. (LEFT-SIDE)

<u>NO</u>	<u>PART NO</u>	<u>PART NAME</u>	<u>QTY.</u>	<u>REMARKS</u>
1*	12208	WEAR RING	1	
2*	12778	FLANGE BEARING	1	
3*	10793	THRUST COLLAR W/BUSHING	2	
4*	1471	BUSHING	1	
5*	1154 A	LOWER WEAR PLATE	1	
6	10968	THRUST BEARING KIT	1	INCLUDES ITEMS W/*
7#	1162 A	CAP, GREASE ZERK, #2 YELLOW	1	
11#	0164 B	WASHER, LOCK 3/8" MED	4	
12#	0166 A	HHC 3/8-16 X 1-1/4 FT.	4	
13#	1157 A	BUSHING	8	
14#	1316	SPRING, L.S. ARM RETURN	4	
15#	11602	SCREW, HHC 3/8-16 X 3/8	4	
16#	12452	PLATE, SPIDER	1	
17#	1322	SCREW, RETAINING	4	
18#	1875	WASHER, INT. SHKP, 3/8	4	
19#	1876	NUT, HEX JAM 3/8-16 CLASS 2B	4	
20#	1163	LEVER, TROWEL RH	4	
21#	2826	ARM, TROWEL EXTENDED 16-1/2"	4	
22#	4164	PIN, ROLL 5/16 X 2, N.P.	4	
25	12252	SPIDER ASSY, LEFT SIDE	1	INCLUDES ITEMS W/#
26#	0105	HHCS 5/16-18 X 1.1/2"	4	
27#	0161 C	LOCK WASHER 5/16"	8	
28	12097	SCREW, SQHS 3/8-16x1-3/4" CONE GD 8	1	
29	1456	NUT, HEX. 3/8-16	1	

JTO RIDE-ON POWER TROWEL— SPIDER ASSY. (RIGHT-SIDE)

RIGHT SIDE SPIDER ASSEMBLY
(VIEW FROM DRIVERS SEAT)



NOTES:

- ① APPLY LOCTITE (BLUE) P/N 60091
- ② RIGHT SIDE SPIDER ASSEMBLY P/N 12251
INCLUDES ALL ITEMS WITHIN OUTLINE.
- ③ THRUST BEARING KIT P/N 10968
INCLUDES ALL ITEMS WITHIN OUTLINE.

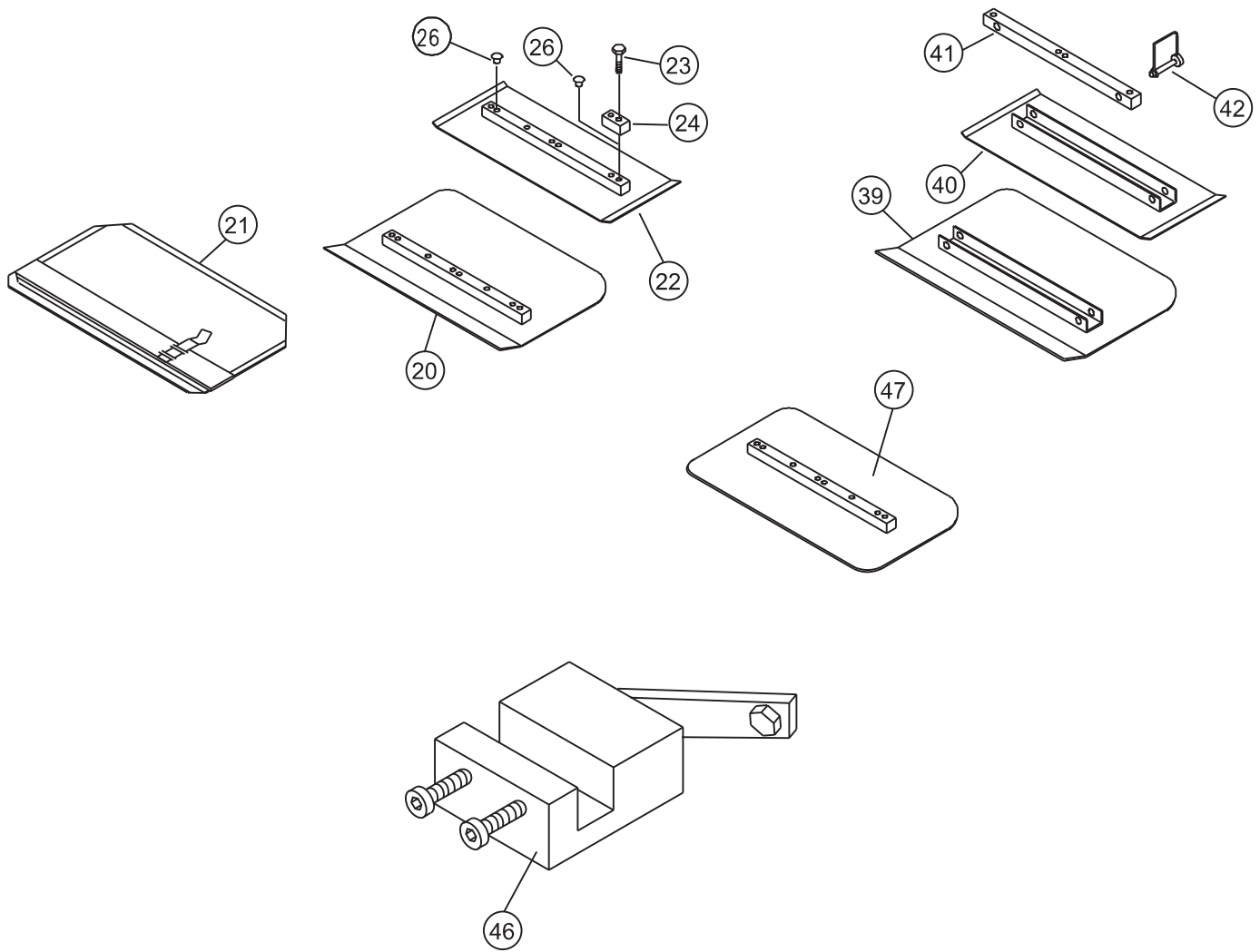
JTO RIDE-ON POWER TROWEL— SPIDER ASSY. (RIGHT-SIDE)

4-BLADE SPIDER ASSY.(RIGHT-SIDE)

<u>NO</u>	<u>PART NO</u>	<u>PART NAME</u>	<u>QTY.</u>	<u>REMARKS</u>
1*	12208	WEAR RING	1	
2*	12778	FLANGE BEARING	1	
3*	10793	THRUST COLLAR W/BUSHING	2	
4*	1471	BUSHING	1	
5*	1154 A	LOWER WEAR PLATE	1	
6	10968	THRUST BEARING KIT	1	INCLUDES ITEMS W/*
7#	1162 A	CAP, GREASE ZERK, #2 YELLOW	1	
11#	0164 B	SCREW, HHC 3/8-16 X 1 1/4 F.T.	4	
12#	0166 A	WASHER, LOCK, 3/8 MED.	4	
13#	1157 A	BUSHING	8	
14#	1317	SPRING, R.S. ARM RETURN	4	
15#	11602	SCREW, HHC 3/8-16 X 3/8	4	
16#	12452	PLATE, SPIDER	1	
17#	1322	SCREW, RETAINING	4	
18#	1875	WASHER, INT. SHKP, 3/8	4	
19#	1876	NUT, HEX JAM 3/8-16 CLASS 2B	4	
20#	1555	LEVER, TROWEL LH	4	
21#	2826	ARM, TROWEL EXTENDED 16-1/2"	4	
22#	4164	PIN, ROLL 5/16 X 2, N.P.	4	
25	12251	SPIDER ASSY, RIGHT SIDE	1	INCLUDES ITEMS W/#
26#	0105	HHCS 5/16-18 X 1.1/2"	4	
27#	0161 C	LOCK WASHER 5/16"	8	
28	12097	SCREW, SQHS 3/8-16x1-3/4" CONE GD 8	1	
29	1456	NUT, HEX. 3/8-16	1	

JTO RIDE-ON POWER TROWEL— BLADES AND ADJ. FIXTURE ASSY.

BLADES & ADJUSTMENT FIXTURE ASSY.



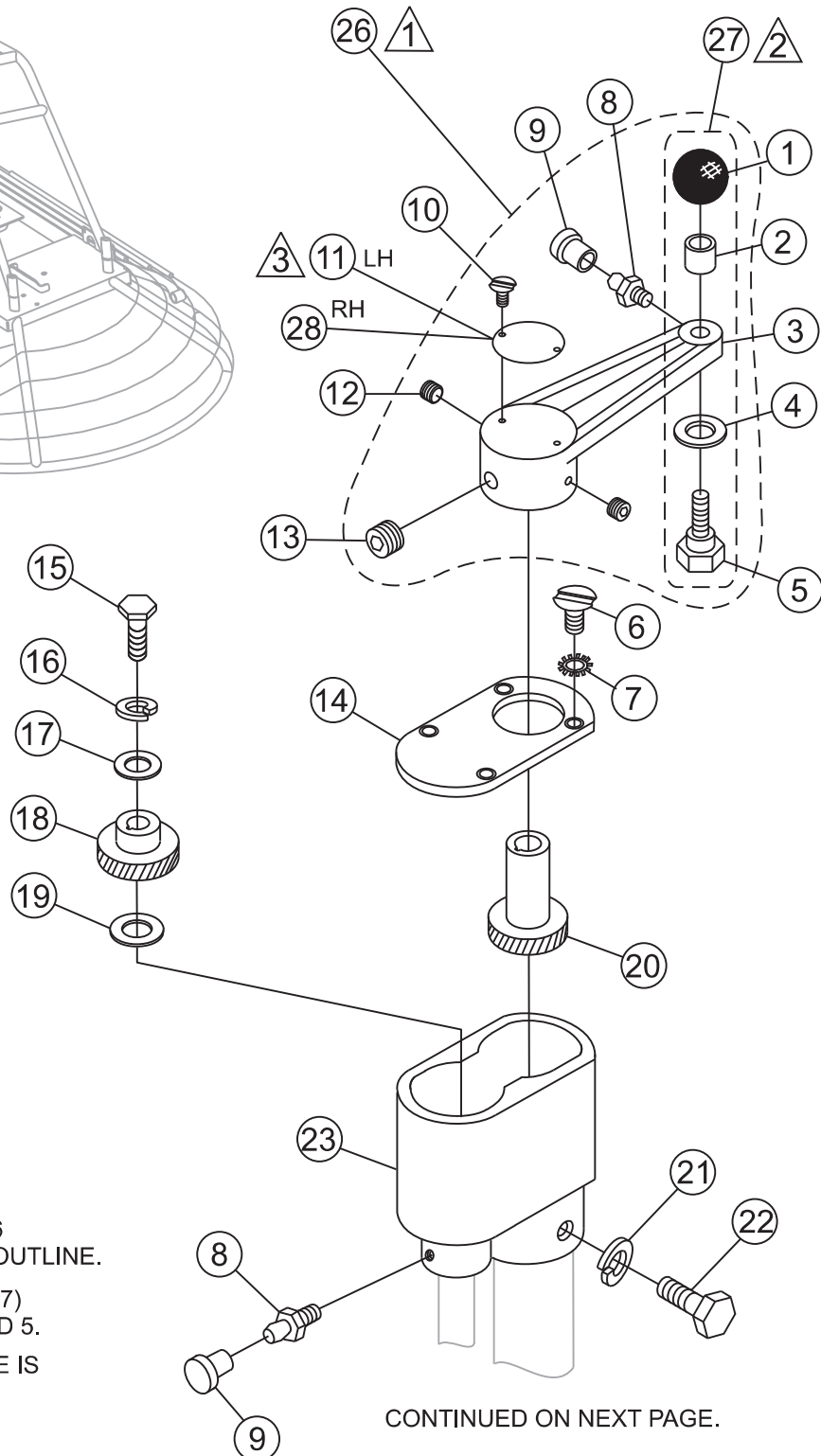
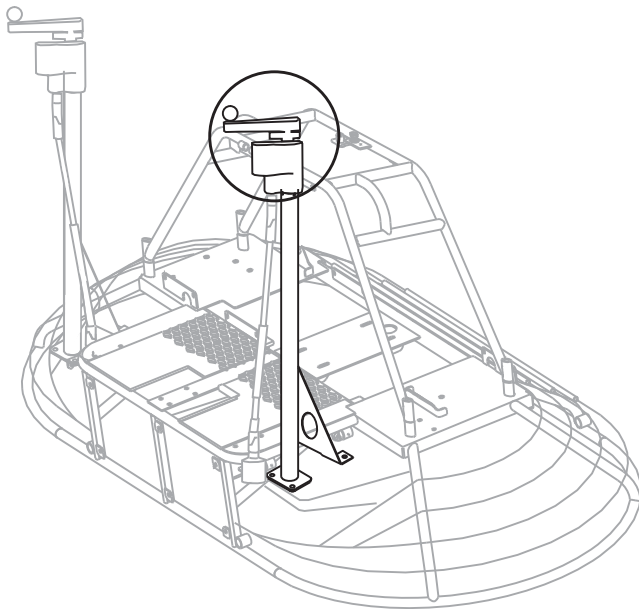
JTO RIDE-ON POWER TROWEL— BLADES AND ADJ. FIXTURE ASSY.

BLADES & ADJUSTMENT FIXTURE ASSY.

<u>NO.</u>	<u>PART NO.</u>	<u>PART NAME</u>	<u>QTY.</u>	<u>REMARKS</u>
20		COMBO FLOAT & FINISH BLADE	4	CONTACT UNIT SALES DEPT./ACCESSORY ITEM
20		ENDURO COMBO FLOAT & FINISH BLADE	4	CONTACT UNIT SALES DEPT./ACCESSORY ITEM
21		FLOAT BLADE	4	CONTACT UNIT SALES DEPT./ACCESSORY ITEM
22		FINISH BLADE	4	CONTACT UNIT SALES DEPT./ACCESSORY ITEM
22		ENDURO FINISH BLADE W/ROTATING	4	CONTACT UNIT SALES DEPT./ACCESSORY ITEM
23	0202	HHCS 5/16-18X1" RING	4	
24	0201	GUARD RING LUG RING	4	
26	1434	TROWEL LUG (FINISH BLADE ONLY)	4	
39		UNIVERSAL COMBO BLADE	4	CONTACT UNIT SALES DEPT./ACCESSORY ITEM
39		ENDURO UNIVERSAL COMBO BLADE	4	CONTACT UNIT SALES DEPT./ACCESSORY ITEM
40		UNIVERSAL FINISH BLADE	4	CONTACT UNIT SALES DEPT./ACCESSORY ITEM
40		ENDURO UNIVERSAL FINISH BLADE	4	CONTACT UNIT SALES DEPT./ACCESSORY ITEM
41		UNIVERSAL MOUNTING BAR	4	CONTACT UNIT SALES DEPT./ACCESSORY ITEM
42		SNAP PIN 1/4"X1.3/4"	8	CONTACT UNIT SALES DEPT./ACCESSORY ITEM
46		TROWEL ARM ADJ. FIXTURE ASSY	1	CONTACT UNIT SALES DEPT./ACCESSORY ITEM
47		REVERSIBLE COMBO BLADE	4	CONTACT UNIT SALES DEPT./ACCESSORY ITEM
49		FLOAT DISC	1	CONTACT UNIT SALES DEPT./ACCESSORY ITEM
50		FLOAT DISC LATCH PIN	4	CONTACT UNIT SALES DEPT./ACCESSORY ITEM

JTO RIDE-ON POWER TROWEL—TWIN PITCH HANDLE ASSY. (LT/RT)

TWIN PITCH CONTROL ASSY. (LEFT AND RIGHT)



- △ 1 LEVER ASSEMBLY, ITEM 26 INCLUDES ITEMS WITHIN OUTLINE.
- △ 2 KNOB KIT P/N 2737 (ITEM 27) INCLUDES ITEMS 1,2,4, AND 5.
- △ 3 RIGHT SIDE PITCH HANDLE IS IDENTICAL TO LEFT SIDE PITCH HANDLE UNLESS OTHERWISE NOTED.

CONTINUED ON NEXT PAGE.

JTO RIDE-ON POWER TROWEL—TWIN PITCH HANDLE ASSY. (LT/RT)

TWIN PITCH HANDLE ASSY. (LEFT AND RIGHT)

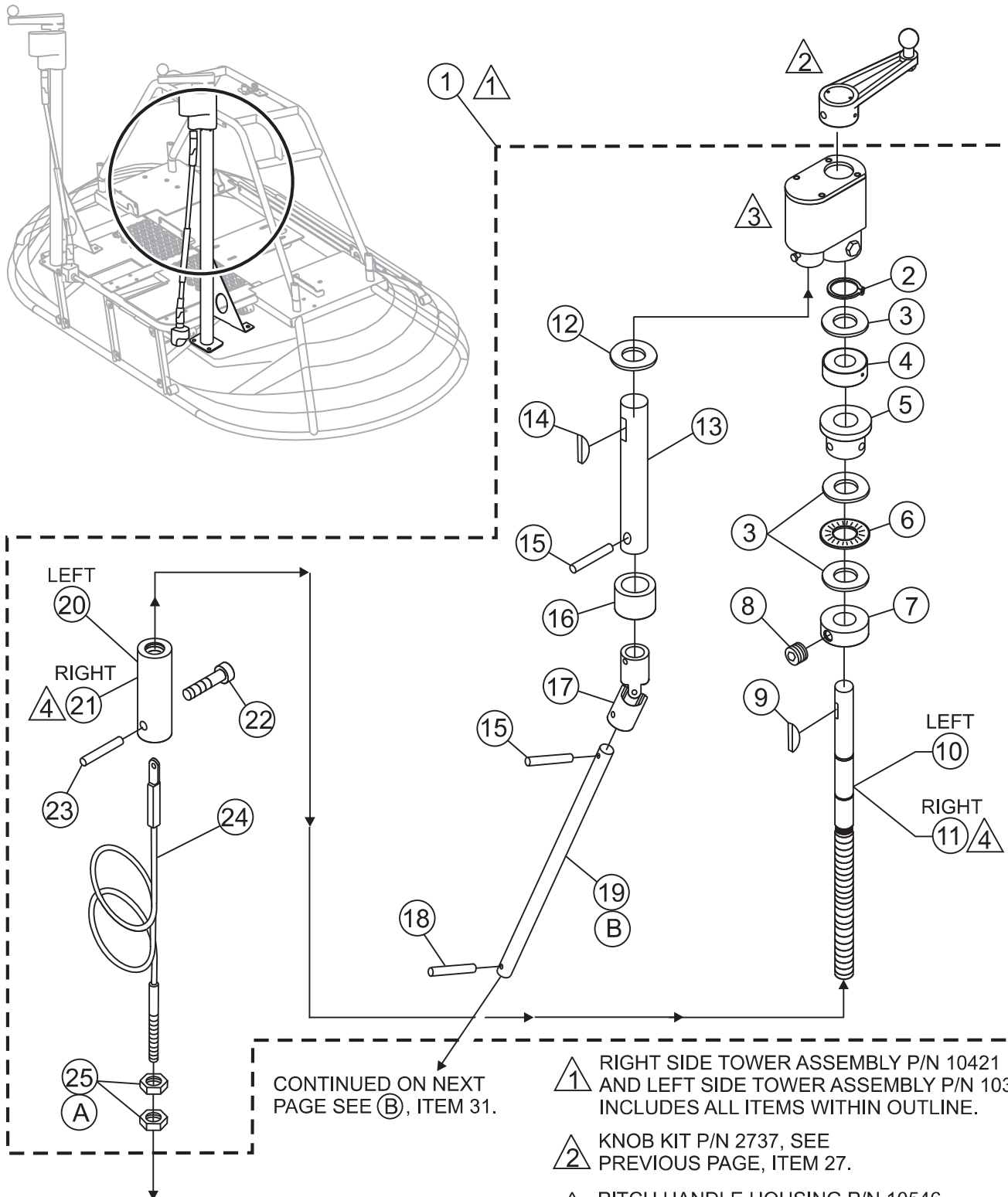
<u>NO</u>	<u>PART NO</u>	<u>PART NAME</u>	<u>QTY.</u>	<u>REMARKS</u>
1 #	4403	CRANK KNOB	1	
2 #	3231	SPACER	1	
3 #	1615	CRANK LEVER	1	
4 #	1733	HARDENED WASHER	1	
5 #	1616	SHOULDER BOLT	1	
6 +%	2620	SCREW, BHC 10 – 24 X 5/8	4	
7	10114	WASHER, EXT. SHKP, #8	4	
8+%	2621	FITTING GREASE	4	
9+%	1162 A	CAP, GREASE ZERK	4	
10 #	4014	SCREW, 2-3/16 P-K TYPE U-DRIVE	2	
11	2300	DECAL, AL PITCH, RH	1	
12 #	1528	SCREW, SHSS 1/4 – 20 X 5/16"	2	
13 #	0185	SCREW, SHSS 3/8 – 16 X 3/8"	1	
14 +%	2649	COVER, PITCH CONT HOUSING	1	
15 +%	1579	SCREW, HHC 1/4 – 20 X 1/2	1	
16 +%	0181 B	WASHER, LOCK, 1/4 MED	4	
17 +%	0948	WASHER, FLAT, 1/4 SAE	1	
18 +%	1530	GEAR, SLAVE, TPC	1	
19 +%	1733	WASHER, 1/32 X 1/2 HARDENED	8	
20 +%	1529	GEAR, MASTER, TPC	1	
21 +%	0161 C	WASHER, LOCK 5/16 MED	1	
22 +%	0655	SCREW, HHC 5/16 – 18 X 3/4	1	
23 +%	10546	HOUSING, PITCH CONTROL, 1-3/4	1	
26	1617	LEVER ASSY. , TROWEL ADJUSTMENT ...	1	INCLUDES ITEMS W/#
27	2737	KNOB, KIT	1	INCLUDES ITEMS W/\$
28	2332	DECAL, AL PITCH, LH	1	

NOTE 1: ITEMS WITH + ARE PART OF TWIN PITCH ASSY. LEFT SIDE (P/N 10392)
 ITEMS WITH % ARE PART OF TWIN PITCH ASSY. RIGHT SIDE (P/N 10421)

NOTE 2: INDICATED QUANTITIES ARE FOR ONE PITCH TOWER.
 IF ORDERING FOR TWO PITCH TOWERS DOUBLE THE QUANTITY.

JTO RIDE-ON POWER TROWEL—TWIN PITCH TOWER ASSY. (LT/RT)

TWIN PITCH TOWER ASSY. (LEFT AND RIGHT)



CONTINUED ON NEXT PAGE SEE (B), ITEM 31.

① RIGHT SIDE TOWER ASSEMBLY P/N 10421 AND LEFT SIDE TOWER ASSEMBLY P/N 10392 INCLUDES ALL ITEMS WITHIN OUTLINE.

② KNOB KIT P/N 2737, SEE PREVIOUS PAGE, ITEM 27.

③ PITCH HANDLE HOUSING P/N 10546 COMPONENTS, SEE PAGE 40, ITEM 23

④ RIGHT SIDE TWIN PITCH ASSEMBLY IS IDENTICAL TO LEFT SIDE TWIN PITCH ASSEMBLY UNLESS OTHERWISE NOTED.

CONTINUED ON NEXT PAGE. SEE (A), ITEM 32.

JTO RIDE-ON POWER TROWEL—TWIN PITCH TOWER ASSY. (LT/RT)

TWIN PITCH TOWER ASSY. (LEFT AND RIGHT)

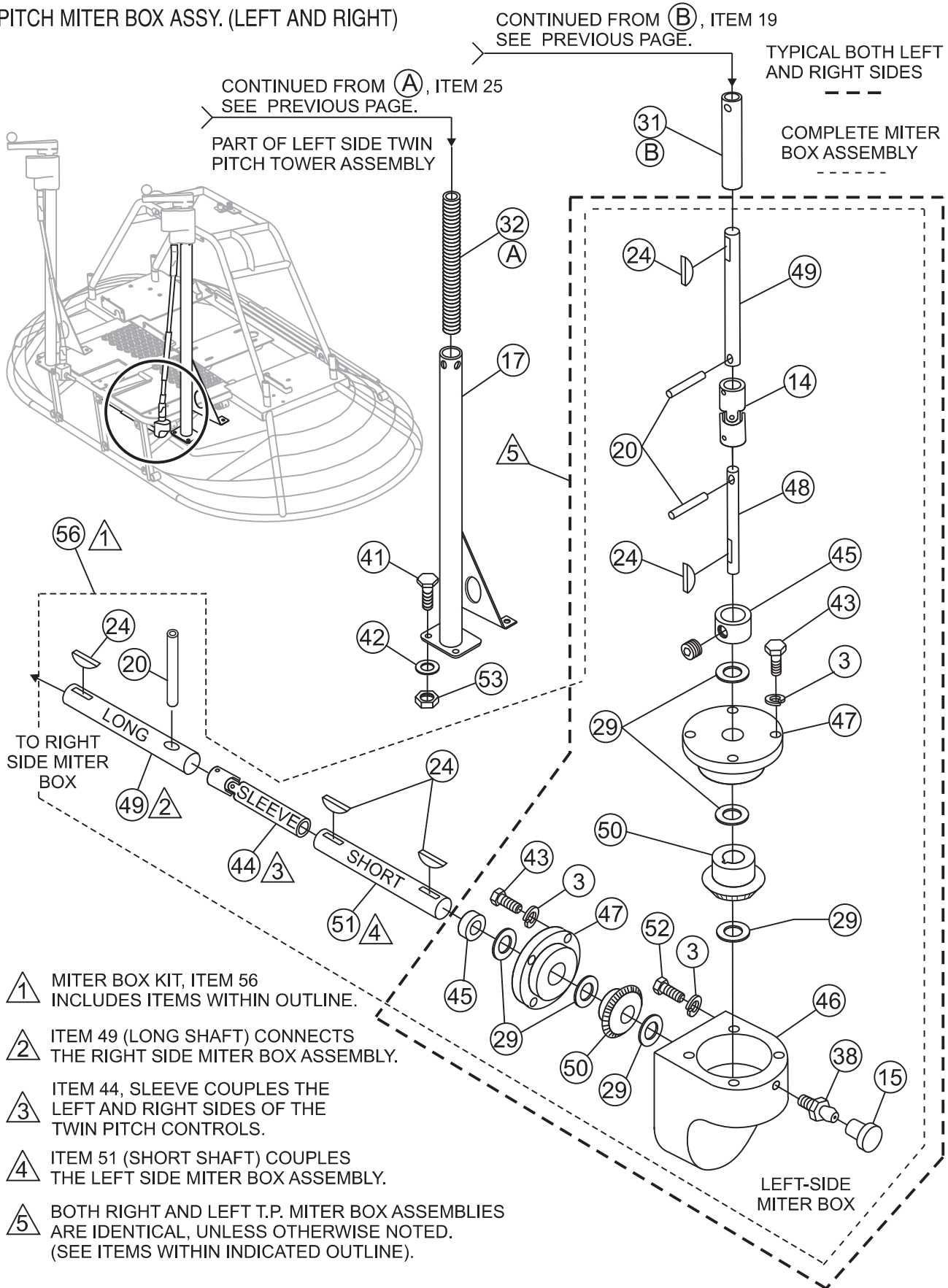
NO	PART NO	PART NAME	QTY.	REMARKS
1 (LT)	10392	TOWER ASSY. , LEFT TPC	1	.. INCLUDES ITEMS W/+
1 (RT)	10421	TOWER ASSY. , RIGHT TPC	1	.. INCLUDES ITEMS W/%
2 +%	10512	RING, SNAP, TRUARC 5160 – 75	1	
3 +%	2170	BEARING, RACE, TORR #TRA 1220	3	
4 +%	1604	BEARING, BALL	1	
5 +%	1612	BEARING, ALUM – PITCH CONTR	1	
6 +%	2169	BEARING, THRUST, TORR #NTA 1220	1	
7 +%	2367	SET COLLAR	1	.. INCLUDES ITEM 8
8 +%	0685	SCREW, SHS 5/16-18 X 5/16"	1	
9 +%	0126 B	KEY, WOODRUFF #9	1	
10 +	2010	SHAFT, PITCH CONTROL, LH TPC	1	.. LEFT SIDE ONLY REPLACES 10511
11 %	10510	SHAFT, PITCH CONTROL, RH TPC	1	.. RIGHT SIDE ONLY
12 +%	1733	WASHER, 1/32 X 1/2 HARDENED	8	
13 +%	2007	SHAFT	1	
14 +%	1578	KEY, WOODRUFF, #3	9	.. QTY. INCLUDES USAGE ON BOTH TWIN PITCH ASSEMBLIES, AND MITER BOX SHAFTS.
15 +%	11654	PIN, ROLL 1/8 X 1 PLATED	5	.. QTY. INCLUDES USAGE ON BOTH TWIN PITCH ASSEMBLIES, AND MITER BOX SHAFTS.
16 +%	2311	SPACER, 3/4 X 1/2 X 0.8L	1	
17 +%	1536	U-JOINT, PITCH CONTROL	1	
18 +%	1586	PIN, ROLL 1/8 X 3/4"	1	
19 +%	2023	SHAFT, PITCH CONTROL	1	
20 +	10722	SLIDE BLOCK, LH PITCH CONTROL	1	.. LEFT SIDE ONLY
21 %	10721	SLIDE BLOCK, RH PITCH CONTROL	1	.. RIGHT SIDE ONLY
22 +%	10382	BOLT, SHOULDER 3/8 X 3/8" LONG	1	
23 +%	10723	PIN, SPIROL 3/16 X 1 3/8" HD	1	
24 +%	2008	CABLE, PITCH ASSY.	1	
25 +%	1116	NUT, BRASS JAM 5/16 –18"	2	

NOTE 1: ITEMS WITH + ARE PART OF TWIN PITCH ASSY. LEFT-SIDE (P/N 10392)
 ITEMS WITH % ARE PART OF TWIN PITCH ASSY. RIGHT-SIDE (P/N 10421)

NOTE 2: INDICATED QUANTITIES ARE FOR ONE PITCH TOWER.
 IF ORDERING FOR TWO PITCH TOWERS DOUBLE THE QUANTITY.

JTO RIDE-ON POWER TROWEL—TWIN PITCH MITER BOX ASSY. (LT/RT)

TWIN PITCH MITER BOX ASSY. (LEFT AND RIGHT)



- ① MITER BOX KIT, ITEM 56 INCLUDES ITEMS WITHIN OUTLINE.
- ② ITEM 49 (LONG SHAFT) CONNECTS THE RIGHT SIDE MITER BOX ASSEMBLY.
- ③ ITEM 44, SLEEVE COUPLES THE LEFT AND RIGHT SIDES OF THE TWIN PITCH CONTROLS.
- ④ ITEM 51 (SHORT SHAFT) COUPLES THE LEFT SIDE MITER BOX ASSEMBLY.
- ⑤ BOTH RIGHT AND LEFT T.P. MITER BOX ASSEMBLIES ARE IDENTICAL, UNLESS OTHERWISE NOTED. (SEE ITEMS WITHIN INDICATED OUTLINE).

JTO RIDE-ON POWER TROWEL—TWIN PITCH MITER BOX ASSY. (LT/RT)

TWIN PITCH TOWER ASSY. (LEFT AND RIGHT)

<u>NO</u>	<u>PART NO</u>	<u>PART NAME</u>	<u>QTY.</u>	<u>REMARKS</u>
3*+%	0181B	WASHER, LOCK 1/4" MED	20	
14*+%	1536	U-JOINT, PITCH CONTROL	2	
15*+%	1162 A	CAP, GREASE ZERK	2	
17	10548	TUBE, PITCH CONTROL	1	
20*+%	1586	PIN ROLL 1/8 x 3/4	11	QTY INCLUDES USAGE ON BOTH TWIN PITCH ASSEMBLIES, AND MITER BOX SHAFTS.
24*+%	1578	KEY, WOODRUFF, #3	9	QTY INCLUDES USAGE ON BOTH TWIN PITCH ASSEMBLIES, AND MITER BOX SHAFTS.
29*+%	1733	WASHER, 1/32 x 1/2 HARDEN	8	
31	2012	SLEEVE, ADJ.-LONG RIDER	1	
32	2156	SPRING, COIL	1	
38*+%	2621	ZERK, GREASE STR 1/4-28"	2	
41	0202	SCREW, HHC 5/16-18 x 1"	4	
42	0300 B	WASHER, FLAT 5/16" SAE	4	
43*	0730	SCREW, HHC 1/4-20 x 1"	8	
44*	2104	SLEEVE W/U JOINT	1	
45*	1577	SET COLLAR, 1/2"	2	
46*	1987	MITER BOX, PITCH CONTROL	1	
47*	1988	MITER BOX, BEARING CAP	2	
48*	2021	SHAFT, MITER VERTICAL	1	
49*	2022	SHAFT, MITER	3	QTY INCLUDES USAGE ON BOTH TWIN PITCH ASSEMBLIES, AND MITER BOX SHAFTS.
50*	2062	GEAR, MITER	2	
51*	2026	SHAFT, MITER BOX HORIZ.	1	
52*	4514	SCREW, HHC 1/4-20 x 5/8"	4	
53	5283	NUT, NYLOC 5/16-18"	4	
56	11655	MITER BOX ASSEMBLY	1	INCLUDES ITEMS W/*

NOTE 1: ITEMS WITH + ARE PART OF TWIN PITCH ASSY. LEFT-SIDE (P/N 10392)
 ITEMS WITH % ARE PART OF TWIN PITCH ASSY. RIGHT-SIDE (P/N 10421)

NOTE 2: INDICATED QUANTITIES ARE FOR ONE PITCH TOWER.
 IF ORDERING FOR TWO PITCH TOWERS DOUBLE THE QUANTITY.

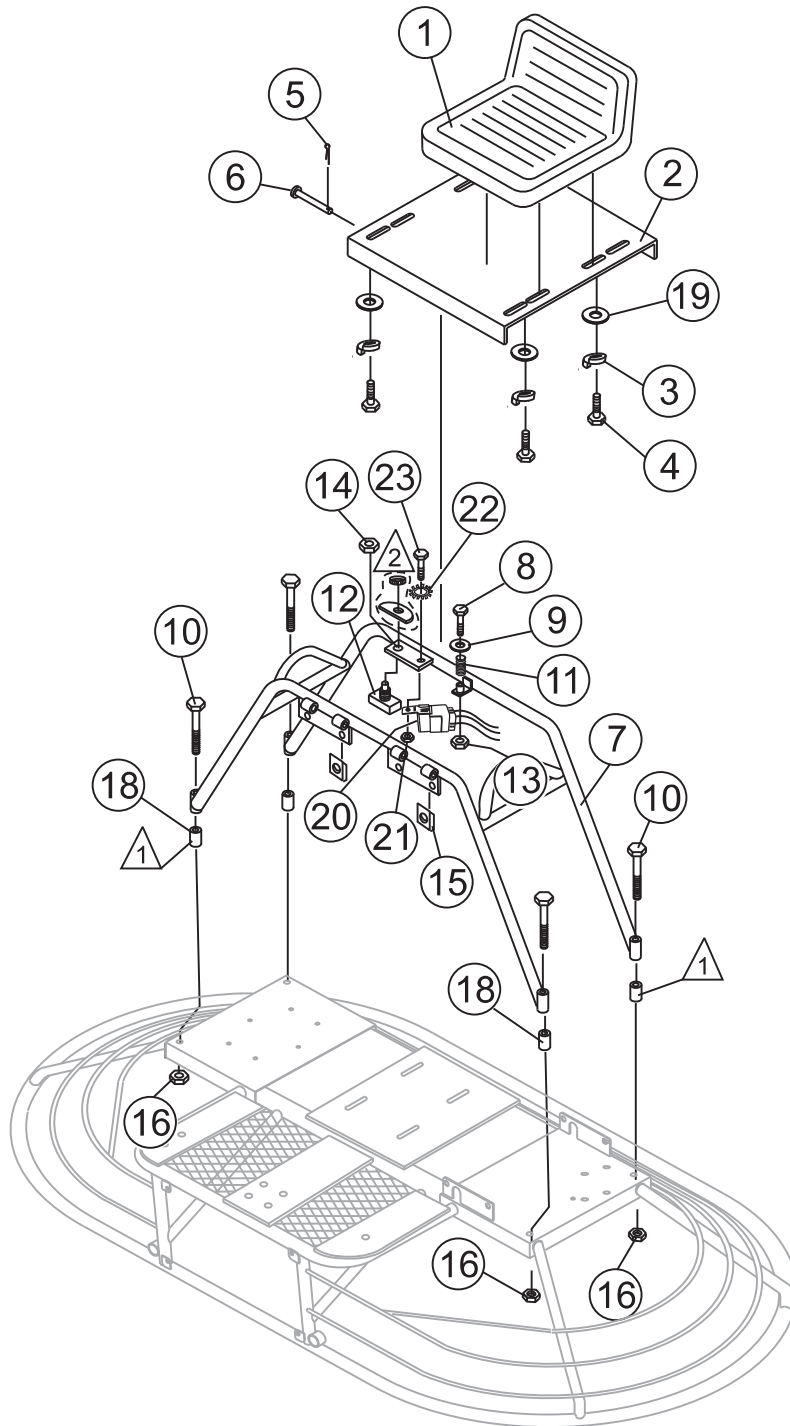
JTO RIDE-ON POWER TROWEL— MAIN FRAME ASSY.

MAIN FRAME ASSY.

<u>NO.</u>	<u>PART NO.</u>	<u>PART NAME</u>	<u>QTY.</u>	<u>REMARKS</u>
21	11064	SPARE BELT A-36 (138 RPM)	2	VANGUARD, AND HONDA
21	2155	SPARE BELT A-37 (120 RPM)	2	VANGUARD ONLY
21	1619	SPARE BELT A-39 (100 RPM)	2	VANGUARD, AND HONDA
25	4514	HHCS 1/4- 20 X 5/8"	6	
26	0948	FLAT WASHER 1/4"	10	
27	2429	SPARE BELT CARRIER	1	
28	0181 B	LOCKWASHER 1/4"	4	
30	0131 A	HHCS 1/4- 20 X 3/4"	6	
33	11016	FUEL PICK UP TUBE	1	
34	2347	MAIN FRAME	1	S/N 46645 AND BELOW
34	11503	MAIN FRAME	1	S/N 46646 ~
35	2712	FUEL CAP	1	
36	11003	FUEL TANK	1	
37	19088	FITTING (INCLUDES FERRUL & NUT)	1	
38	4014	U- DRIVE SCREW 2 X 3/16"	2	
40		SERIAL NUMBER PLATE	1	CONTACT MULTIQUIP PARTS DEPT.
44	2535	FRONT PANEL	1	

JTO RIDE-ON POWER TROWEL— SEAT FRAME ASSY.

SEAT FRAME ASSY.



NOTES:

- 1 SPACER P/N 2893, ITEM 18 IS USED ON KOHLER AND HONDA MODELS ONLY.
- 2 INCLUDED WITH ITEM 12, KILL SWITCH P/N 12005. PANEL NUT P/N 2906 IS REMOVED THIS APPLIES TO UNITS WITH S/N 52146 AND BELOW.

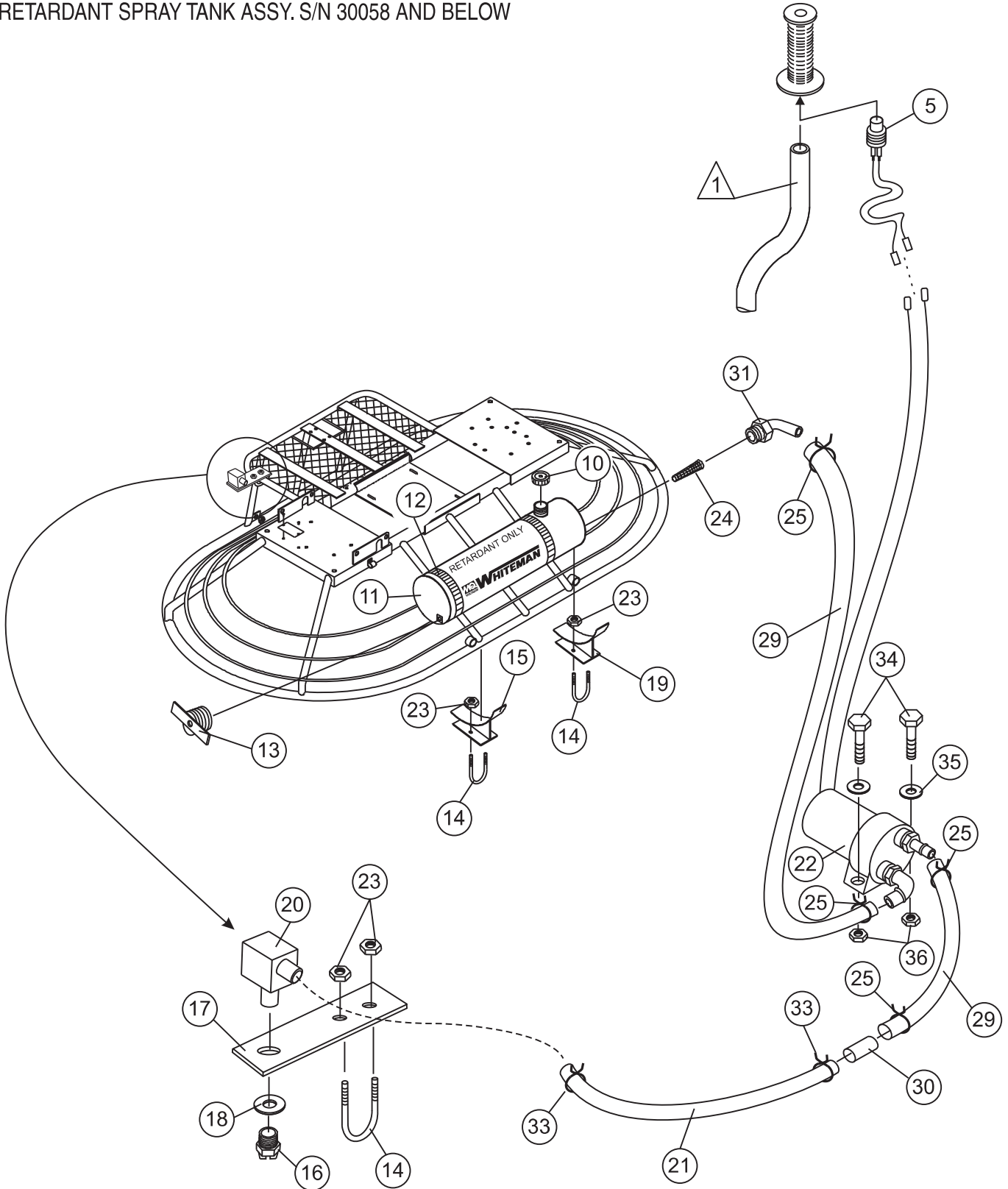
JTO RIDE-ON POWER TROWEL— SEAT FRAME ASSY.

SEAT FRAME ASSY.

NO.	PART NO.	PART NAME	QTY.	REMARKS
1	5045	SEAT	1	S/N 43940 AND BELOW
1	2351	SEAT	1	S/N 43941~
2	2424	SEAT MOUNTING PLATE	1	S/N 43940 AND BELOW
2	2421	SEAT MOUNTING PLATE	1	S/N 43941~
3	5054 A	LOCK WASHER 1/2"	4	
4	2691	HHCS 1/2-13 X 1"	4	
5	0183	COTTER PIN	2	
6	8081	CLEVIS PIN	2	
7	2661	SEAT FRAME	1	
7	10978	SEAT FRAME	1	HONDA
8	8156	HHCS 3/8- 16 X 2.1/2"	1	
9	4001	FLAT WASHER 3/8"	1	
10	2549	HHCS 1/2- 13 X 3"	4	VANGUARD
10	10306	HHCS 1/2- 13 X 4.1/2"	4	HONDA
11	2585	COIL SPRING	1	
12	2584	KILL SWITCH	1	S/N 52146 AND BELOW
12	12005	KILL SWITCH	1	S/N 52147~
13	10133	LOCK NUT 3/8- 16	1	
14	2906	NUT, PANEL 3/8 X 32"	1	S/N 52146 AND BELOW
15	10284	CLIP- ON NUT 10-32	2	
16	10176	LOCK NUT 1/2-13	4	
18	2893	SPACER	4	HONDA
19	0300 B	WASHER, FLAT 5/16"	1	
20	12017	RELAY	1	S/N 52147~
21	10019	NUT, NYLOC 10-32	1	
22	10237	WASHER, EXT. SHKP #10	1	
23	11644	SCREW, HHC 10-32 X 5/8"	1	

JTO RIDE-ON POWER TROWEL— RETARDANT SPRAY TANK ASSY.

RETARDANT SPRAY TANK ASSY. S/N 30058 AND BELOW



1 SEE RIGHT-SIDE STEERING ASSEMBLY PAGE 20, ITEM 3.

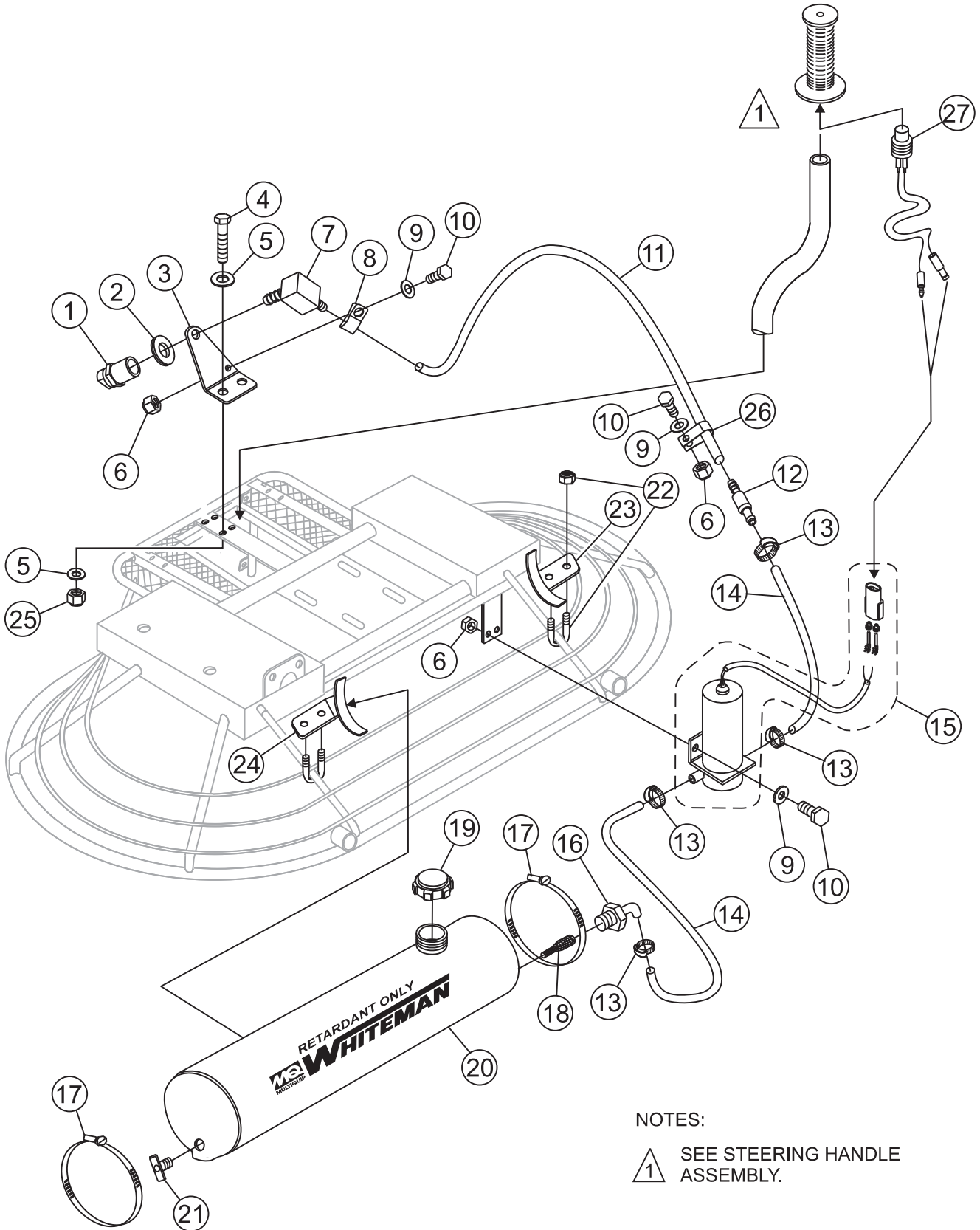
JTO RIDE-ON POWER TROWEL— RETARDANT SPRAY TANK ASSY.

RETARDANT SPRAY TANK ASSY. S/N 30058 AND BELOW

<u>NO.</u>	<u>PART NO.</u>	<u>PART NAME</u>	<u>QTY.</u>	<u>REMARKS</u>
5	2765	SWITCH, RETARDANT SPRAY	1	
10	2108	TANK CAP	1	
11	2916	RETARDANT TANK	1	
12	2398	CLAMP	2	
13	2478	DRAIN COCK	1	
14	2399	U- BOLT	2	
15	2887	RIGHT MOUNTING BRACKET	1	
16	392292	SPRAY NOZZLE	1	
17	2873	MOUNTING BRACKET	1	
18	2898	RUBBER WASHER	1	
19	2886	LEFT MOUNTING BRACKET	1	
20	2912	90 DEGREE FITTING	1	
21	2914	HOSE	1	
22		PUMP ASSY.	1	MUST REPLACE WITH NEW
			STYLE PUMP P/N 12548
23	2656	LOCKNUT 5/16- 24	6	
24	2926	STRAINER	1	
25	2918	HOSE CLAMP	4	
29	2913	LOWER HOSE	1	
30	10022	REDUCER	1	
31	2925	90 DEGREE ELBOW	1	
33	2930	HOSE CLAMP	2	
34	0131A	HHCS 1/4- 20 X 3/4"	2	
35	0948	FLAT WASHER 1/4"	2	
36	10024	LOCK NUT 1/4-20	2	

JTO RIDE-ON POWER TROWEL— RETARDANT SPRAY TANK ASSY.

RETARDANT SPRAY TANK ASSY. S/N 30059~



NOTES:

- △ 1 SEE STEERING HANDLE ASSEMBLY.

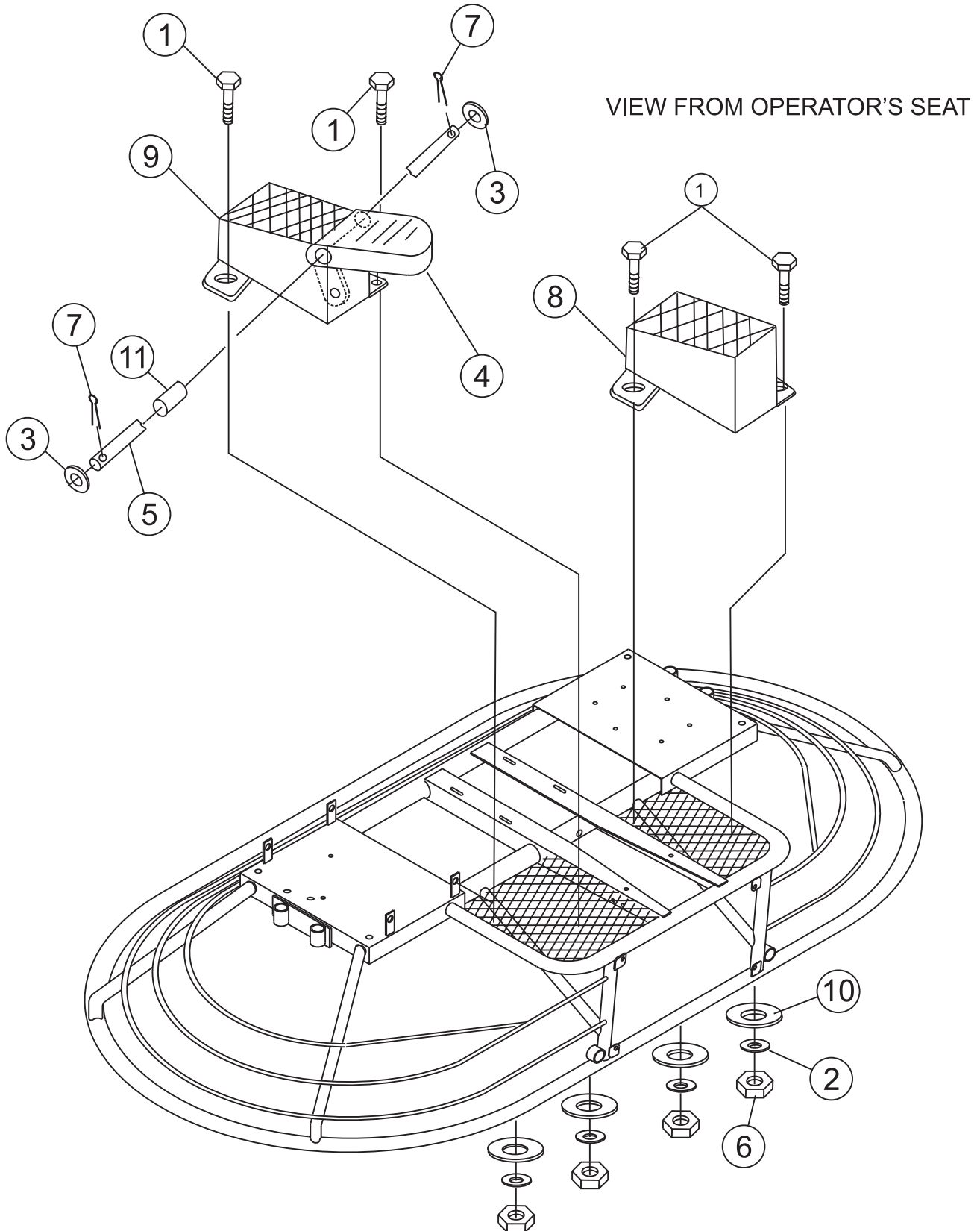
JTO RIDE-ON POWER TROWEL— RETARDANT SPRAY TANK ASSY.

RETARDANT SPRAY TANK ASSY. S/N 30059~

<u>NO.</u>	<u>PART NO.</u>	<u>PART NAME</u>	<u>QTY.</u>	<u>REMARKS</u>
1	392292	NOZZLE, SPRAY	1	
2	2898	WASHER, BONDED NEOPRENE 1 X 1/2	1	
3	11222	MOUNT, SPRAY NOZZLE	1	
4	1023	SCREW, HHC 3/8-16 X 1 1/4	2	
5	10136	WASHER, FLAT 3/8 SAE	4	
6	10024	NUT, NYLOC 1/4-20	4	
7	2912	FITTING, 90 4BARB-1/4FP	1	
8	8128	CLAMP, HOSE SUPPORT 5/16	1	
9	0948	WASHER, FLAT 1/4 SAE	4	
10	0131A	SCREW, HHC 1/4-20 X 3/4	4	
11	2914	HOSE, 1/4 ID.....	1	SOLD IN FOOT LENGTHS
12	10022	FITTING, PLASTIC 6BARB-4BARB	1	
13	2918	CLAMP, HOSE .475 - .536 ID	4	
14	2913	HOSE, 3/8 ID.....	1	SOLD IN FOOT LENGTHS
15	12548	PUMP, SPRAY ASSY. SHURFLO 100-000-21	1	
16	2925	FITTING, PLASTIC 90 6BARB-3/8 MP	1	
17	2398	CLAMP, 6 1/2 HOSE SIZE 96	2	
18	2926	SCREEN, STRAINER	1	
19	2108	CAP, SPRAY TANK	1	
20	2916	TANK, WATER NPT BOSSES	1	
21	2478	DRAIN COCK	1	
22	2399	U-BOLT, 1 ID PLTD W/NUTS	2	
23	2887	MOUNT, TANK LEFT	1	
24	2886	MOUNT, TANK RIGHT	1	
25	10133	NUT, NYLOC 3/8-16	4	
26	8125	CLAMP, HOSE SUPPORT 5/8	1	
27	11430	SWITCH ASSY. , SPRAY	1	

JTO RIDE-ON POWER TROWEL— FOOT PEDAL ASSY.

FOOT PEDALS ASSY.



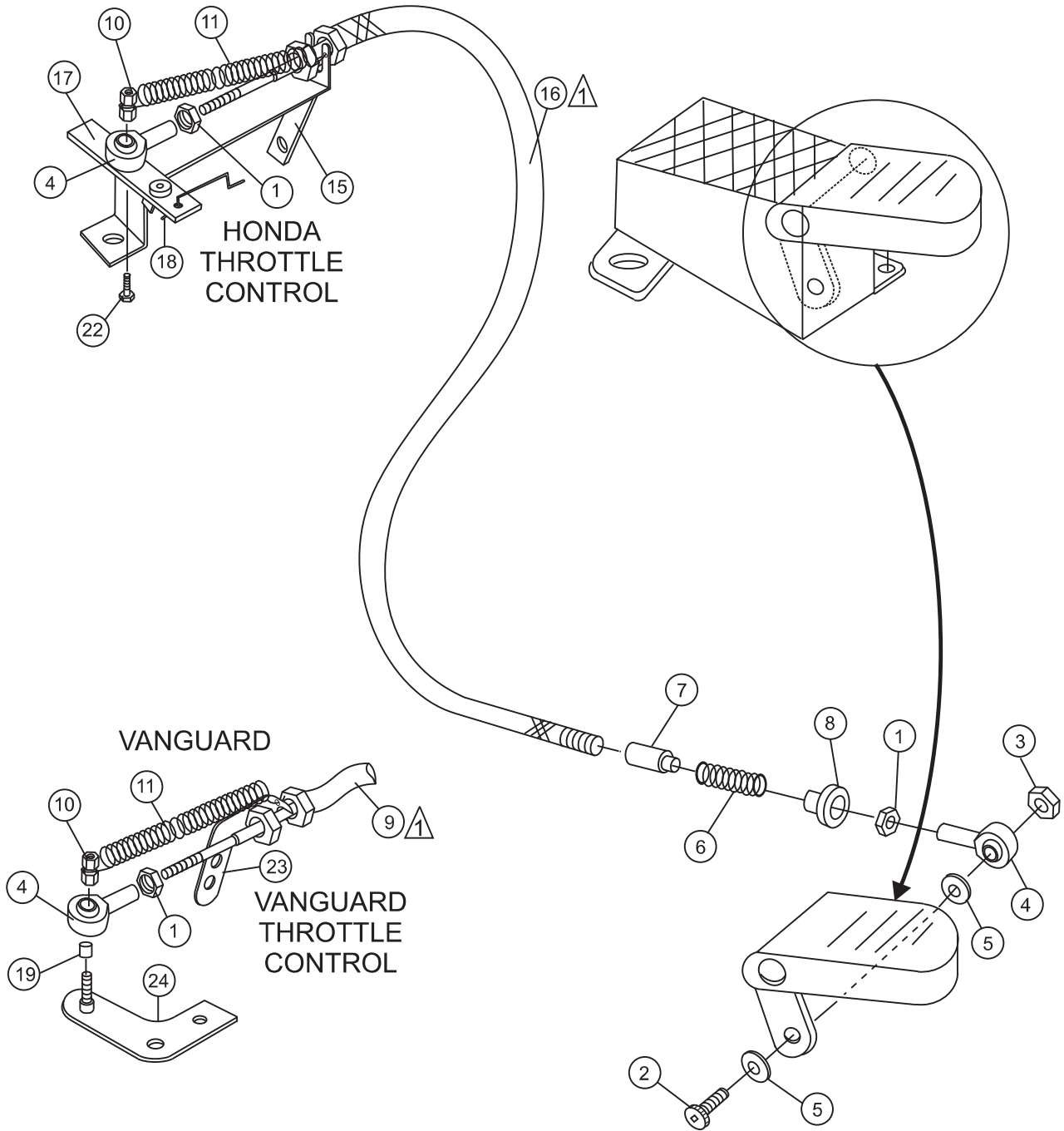
JTO RIDE-ON POWER TROWEL— FOOT PEDAL ASSY.

FOOT PEDALS ASSY.

<u>NO</u>	<u>PART NO</u>	<u>PART NAME</u>	<u>QTY.</u>	<u>REMARKS</u>
1	0202	SCREW, HHC 5/16-18 X 1	4	
2	0300 B	WASHER, FLAT, 5/16" SAE	4	
3	10136	WASHER, FLAT, 3/8" SAE	2	
4	2086	PEDAL, ACCELERATOR	1	
5	2772	PIN, ACC MOUNT	1	
6	5283	NUT, NYLOC 5/16-18"	4	
7	0164 B	PIN, COTTER 3/32 X 1"	2	
8	2773	LEFT SIDE FOOT REST	1	
9	2774	RIGHT SIDE FOOT REST	1	
10	3233	WASHER, FENDER, 1.50.D. X 3/8" I.D.	4	
11	3083	SPACER	1	

JTO RIDE-ON POWER TROWEL—THROTTLE/FOOT PEDAL ASSY.

THROTTLE FOOT PEDAL ASSY.



NOTES:

- ⚠ SEE VANGUARD OR HONDA ENGINE AND CLUTCH ASSY., ITEM 4.

JTO RIDE-ON POWER TROWEL—THROTTLE/FOOT PEDAL ASSY.

THROTTLE FOOT PEDAL ASSY.

<u>NO</u>	<u>PART NO</u>	<u>PART NAME</u>	<u>QTY.</u>	<u>REMARKS</u>
1	0937	NUT, HEX 10-32	2	VANGUARD AND HONDA
2	10018	SCREW, SHC 10-32X1 NO PLATE	1	VANGUARD AND HONDA
3	10019	NUT, NYLOC 10-32	1	VANGUARD AND HONDA
4	2153	ROD END, 10-32 FEMALE RH	2	VANGUARD AND HONDA
5	2203	WASHER, FLAT, #10	2	VANGUARD AND HONDA
6	2753	SPRING, THROTTLE RETURN, LOWER	1	VANGUARD AND HONDA
7	2754	ADAPTOR, THROTTLE RET. SPRING LG.	1	VANGUARD AND HONDA
8	2755	ADAPTOR, THROTTLE RET. SPRING SHORT	1	VANGUARD AND HONDA
9	2124	ENGINE THROTTLE CABLE	1	VANGUARD ONLY
10	2194	THROTTLE NUT	1	VANGUARD AND HONDA
11	2192	THROTTLE SPRING	1	VANGUARD AND HONDA
15	10964	THROTTLE CABLE MTNG. BRACKET	1	HONDA ONLY
16	10568	ENGINE THROTTLE CABLE	1	HONDA ONLY
17	10954	THROTTLE LEVER	1	HONDA ONLY
18	10955	THROTTLE WIRE	1	HONDA ONLY
19	2190	SPACER	1	VANGUARD
22	10018	SHCS 10-32X1"	1	HONDA
23	2162	THROTTLE CABLE MTNG. BRACKET	1	VANGUARD ONLY
24	691028	THROTTLE CONTROL ASSY.	1	VANGUARD ONLY

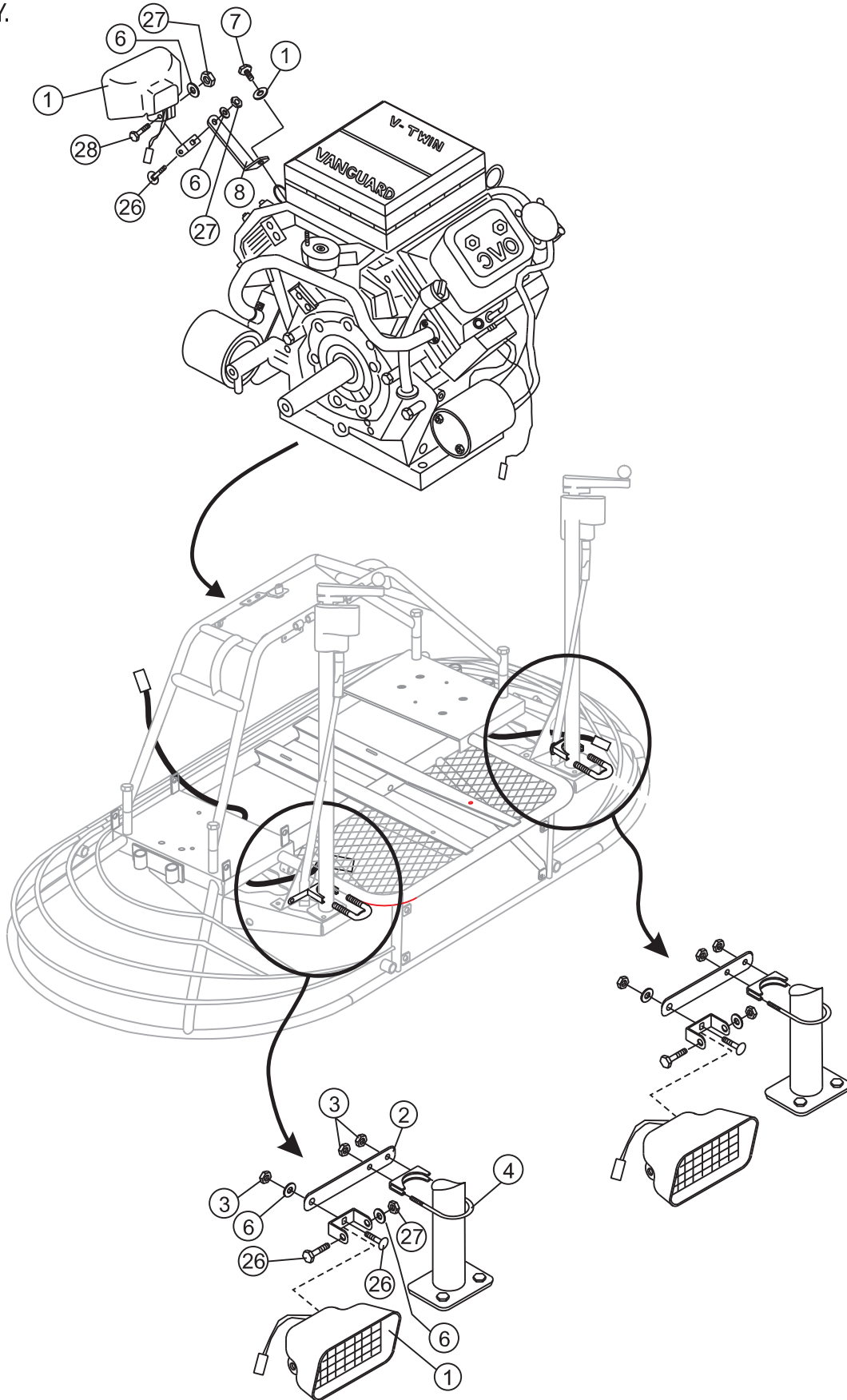
JTO RIDE-ON POWER TROWEL— BATTERY ASSY.

BATTERY ASSY.

<u>NO.</u>	<u>PART NO.</u>	<u>PART NAME</u>	<u>QTY.</u>	<u>REMARKS</u>
1	11105	BATTERY STRAP	1	WITH BATTERY BOX
2	2449	BATTERY BOX	1	
3	1597	NEGATIVE BATTERY CABLE	1	BLACK
4	2484	FRONT BATTERY BRACKET	1	WITH BATTERY BOX
5	2483	REAR BATTERY BRACKET	1	WITH BATTERY BOX
6	2509	WING NUT 1/4- 20	2	
7	10031	EXT. SHKP WASHER 1/4"	2	
8		BATTERY 12V (SHIPPED DRY)	1	GROUP U- 1 PURCHASE FROM LOCAL INTERSTATE DEALER
9	2542	POSITIVE BATTERY CABLE	1	RED
10	0655	HHCS 5/16-18 X 3/4"	4	
11	0300 B	FLAT WASHER 5/16"	4	
31	0949	HEX NUT 1/4-20	2	
32	0181 B	WASHER, LOCK	2	

JTO RIDE-ON POWER TROWEL— LIGHTS ASSY.

LIGHTS ASSY.



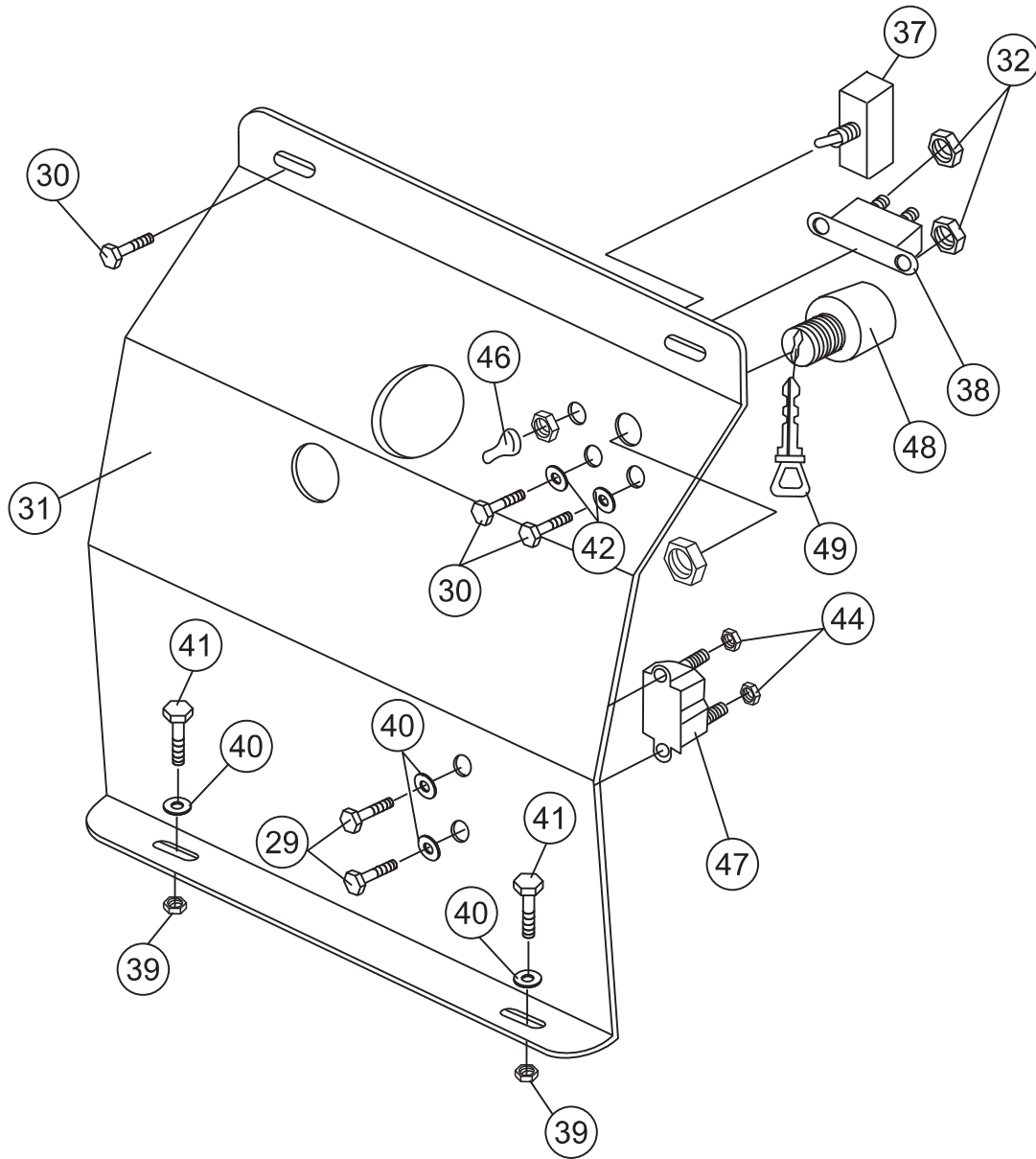
JTO RIDE-ON POWER TROWEL— LIGHTS ASSY.

LIGHTS ASSY.

<u>NO.</u>	<u>PART NO.</u>	<u>PART NAME</u>	<u>QTY.</u>	<u>REMARKS</u>
1	2896	LIGHT & MOUNTING HARDWARE	3	
2	2531	FRONT MOUNTING BRACKET	2	
3	5283	LOCK NUT 5/16- 18	8	
4	2534	CLAMP ASSY.	2	
6	0161 C	LOCK WASHER 5/16"	7	VANGUARD
7	2299	HHCSM 8- 1.25 X 15MM	1	VANGUARD
8	2430	REAR MOUNTING BRACKET	1	
26	0655	HHCS 5/16- 18 X 3/4"	3	
27	0161 D	HEX NUT5/16- 18	6	
28	0300 A	HHCS 5/16- 18 X 2"	3	

JTO RIDE-ON POWER TROWEL— FRONT PANEL ASSY. (VANGUARD)

FRONT PANEL ASSY. (VANGUARD)



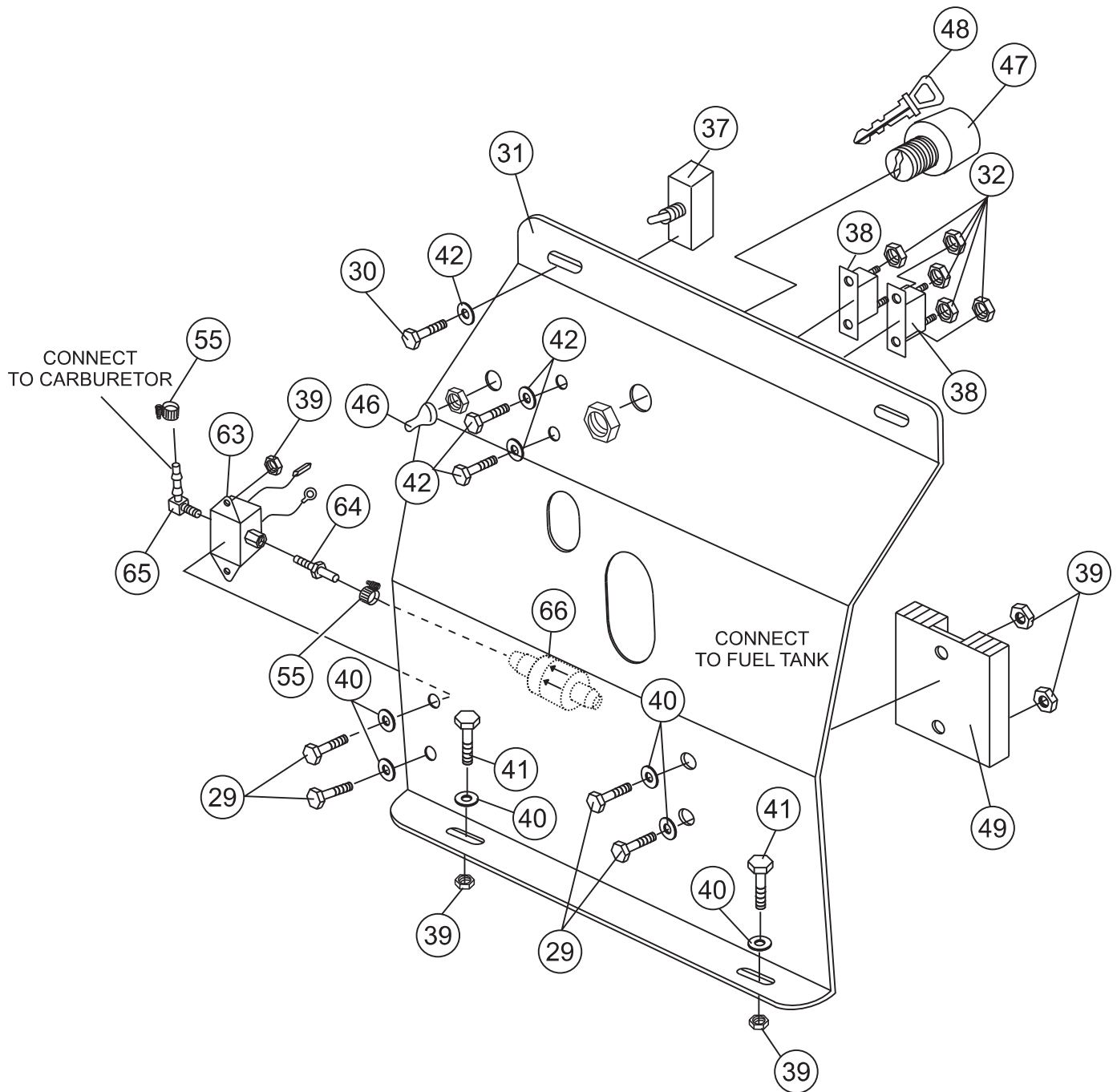
JTO RIDE-ON POWER TROWEL— FRONT PANEL ASSY. (VANGUARD)

FRONT PANEL ASSY. (VANGUARD)

<u>NO.</u>	<u>PART NO.</u>	<u>PART NAME</u>	<u>QTY.</u>	<u>REMARKS</u>
29	0131 A	HHCS 1/4- 20 X 3/4"	2	
30	5065 B	RHMS 10- 32 X 1/2"	4	
31	11957	CONTROL PANEL	1	REPLACES P/N 2590
32	10019	LOCK NUT 10- 32	4	
37	4682	TOGGLE SWITCH	1	OPTIONAL
38	2673	CIRCUIT BREAKER	1	
39	10024	LOCK NUT 1/4- 20	4	
40	0948	FLAT WASHER 1/4"	4	
41	4514	HHCS 1/4- 20 X 5/8"	2	
42	2203	FLAT WASHER #10	2	
44	0949	HEX NUT 1/4"	2	
46	8381	TOGGLE BOOT	1	
47	807829	VOLTAGE REGULATOR	1	
48	10958	IGNITION SWITCH	1	
49	11078	IGNITION KEY	1	

JTO RIDE-ON POWER TROWEL— FRONT PANEL ASSY. (HONDA)

FRONT PANEL ASSY. (HONDA)



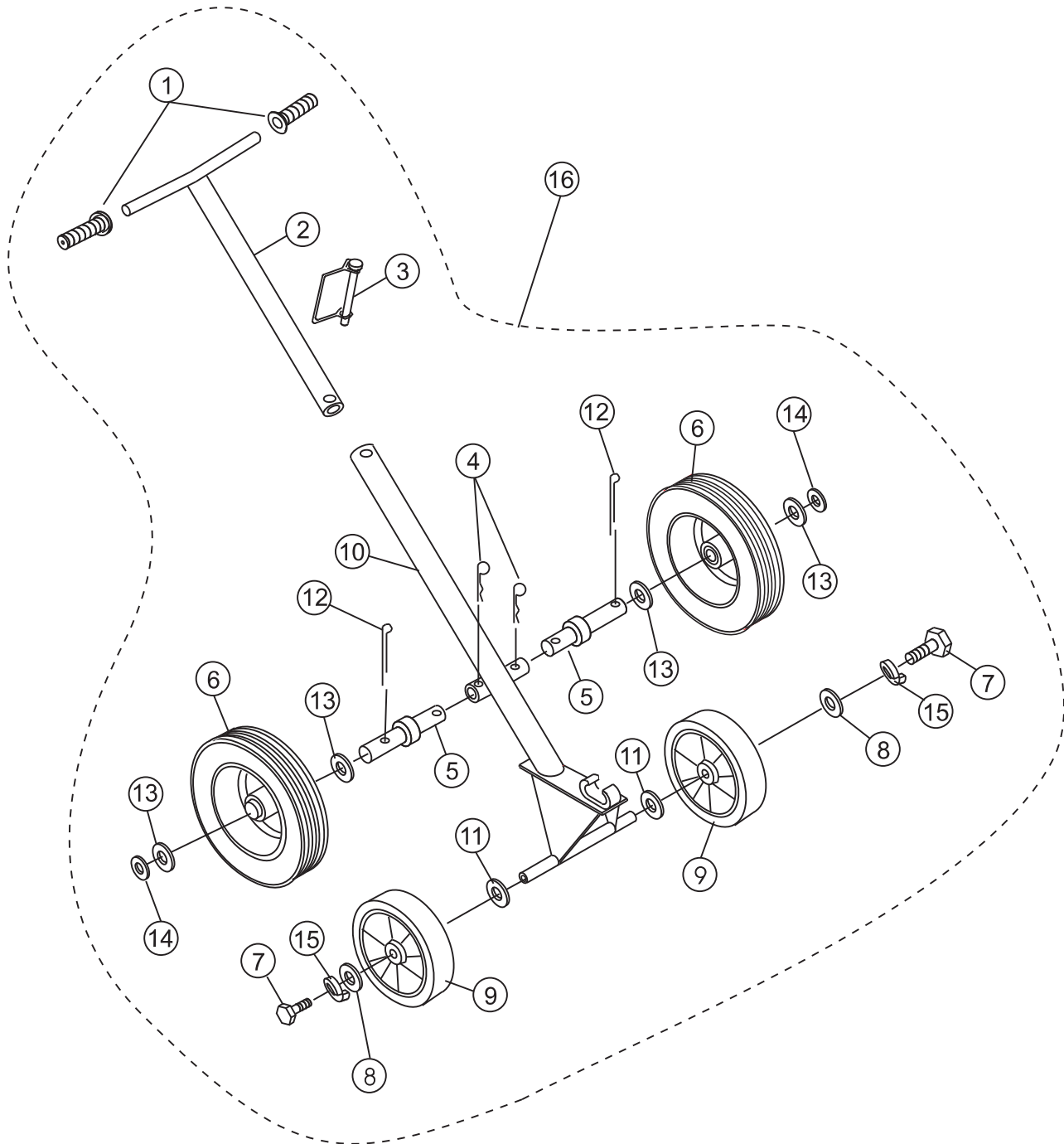
JTO RIDE-ON POWER TROWEL— FRONT PANEL ASSY. (HONDA)

FRONT PANEL ASSY. (HONDA)

<u>NO.</u>	<u>PART NO.</u>	<u>PART NAME</u>	<u>QTY.</u>	<u>REMARKS</u>
29	0730	HHCS 1/4-20 X1"	2	
30	5065 B	RHMS 10-32 X 1/2"	6	
31	20339	CONTROL PANEL	1	REPLACES P/N 10927
32	10019	LOCK NUT 10- 32	8	
37	4682	LIGHT SWITCH	1	OPTIONAL
38	2673	CIRCUIT BREAKER	2	
39	10024	LOCK NUT 1/4- 20	10	
40	0948	FLAT WASHER 1/4"	8	
41	4514	HHCS 1/4- 20 X 5/8"	2	
42	2203	FLAT WASHER #10	8	
46	8381	TOGGLE BOOT	1	
47	10958	IGNITION SWITCH	1	
48	11078	IGNITION KEY	1	
49	31620Z65003	RECTIFIER	1	
55	19473	HOSE CLAMP	4	
63	11099	FUEL PUMP	1	
64	11100	STRAIGHT FITTING	1	
65	11101	90 DEGREE FITTING	1	
66	2346	FUEL FILTER	1	

JTO RIDE-ON POWER TROWEL— E-Z MOVER & LIFT HANDLE ASSY.

E-Z MOVER (EMR2) AND LIFT HANDLE



JTO RIDE-ON POWER TROWEL— E-Z MOVER & LIFT HANDLE ASSY.

E-Z MOVER (EMR2) AND LIFT HANDLE

<u>NO</u>	<u>PART NO</u>	<u>PART NAME</u>	<u>QTY.</u>	<u>REMARKS</u>
1	0189	HAND GRIP	2	
2	2336	UPPER HANDLE	1	
3	1869	SNAP PIN	1	
4	7170	CLIP	2	
5	11684	DOLLY AXLE	2	
6	10440	WHEEL & TIRE	2	
7	0655	SCREW, HHCS 5/16-18 x 3/4"	2	
8	0300 B	FLAT WASHER 5/16"	2	
9	2364	WHEEL	2	
10	10445	FRAME	1	
11	4684	FLAT WASHER 5/8"	2	
12	0183	COTTER PIN	4	
13	10446	FLAT WASHER 3/4"	8	
14	8151	FLAT WASHER 3/4" SAE	8	
15	0161 C	LOCK WASHER 5/16"	2	
16	EMR-1	EZ-MOVER ASSEMBLY	1	CONTACT UNIT SALES DEPT.