

FIGURE 1 - MK-2425KSP CONCRETE SAW - P/N 170957

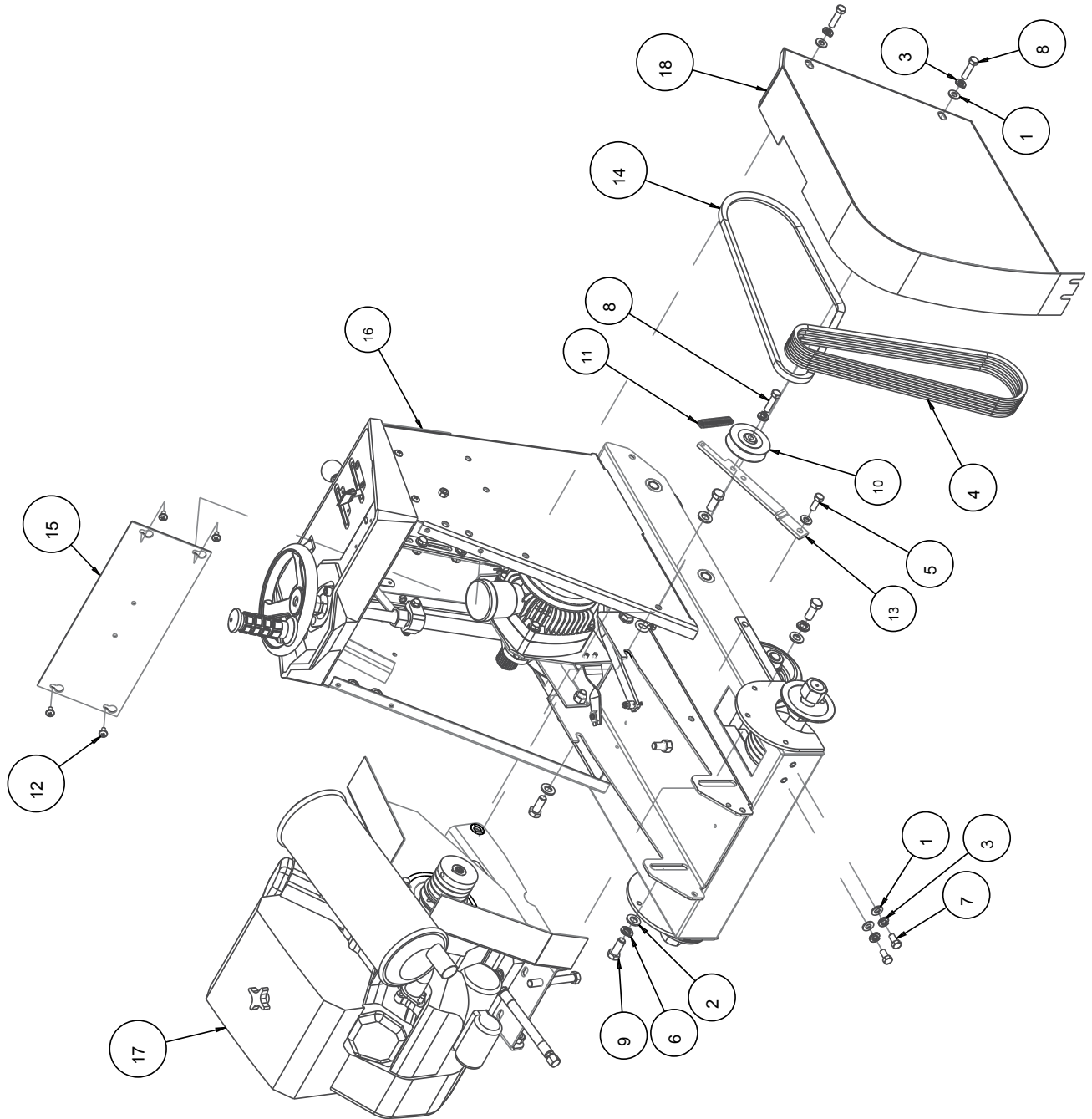


FIGURE 1 - MK-2425KSP CONCRETE SAW - P/N 170957

ITEM NO.	DESCRIPTION	PART #	QTY.
1	WASHER, FLAT, SAE 3/8	150923	5
2	WASHER, 1/2 SAE FLAT	150924	4
3	WASHER, LOCK, SPLIT, 3/8	150925	5
4	BELT, 3VX400	152478	4
5	SCREW, HEX HD CAP, 3/8-16 X 1	152507	1
6	WASHER, 1/2 SPLIT LOCK	153524	2
7	SCREW, HEX, 3/8-16 X 3/4	153527	2
8	SCREW, 3/8-16 x 1-1/2 HEX HEAD	153528	3
9	SCREW, 1/2-13X1-1/4 HEX HEAD CAP	153532	4
10	PULLEY, 1A30 X 1/2 BORE IDLER	153797	1
11	SPRING, 9/16 X 2.5 EXTENSION	153807	1
12	SCREW, 1/4-20 X 1/2 TRUSS HEAD	153880	4
13	BRACKET, IDLER PULLEY	154244	1
14	BELT, AX-43	156110	1
15	PANEL, 20HP FRONT TOWER	156503	1
16	ASSY, FRAME, LESS ENG, 24SER	170870-K	1
17	ASSY, ENGINE, CH730LPG, 24SER	170965	1
18	GUARD, BELT, OUTER, 24KSP	171153	1

FIGURE 2 - MK-2425KSP CONCRETE SAW - P/N 170957

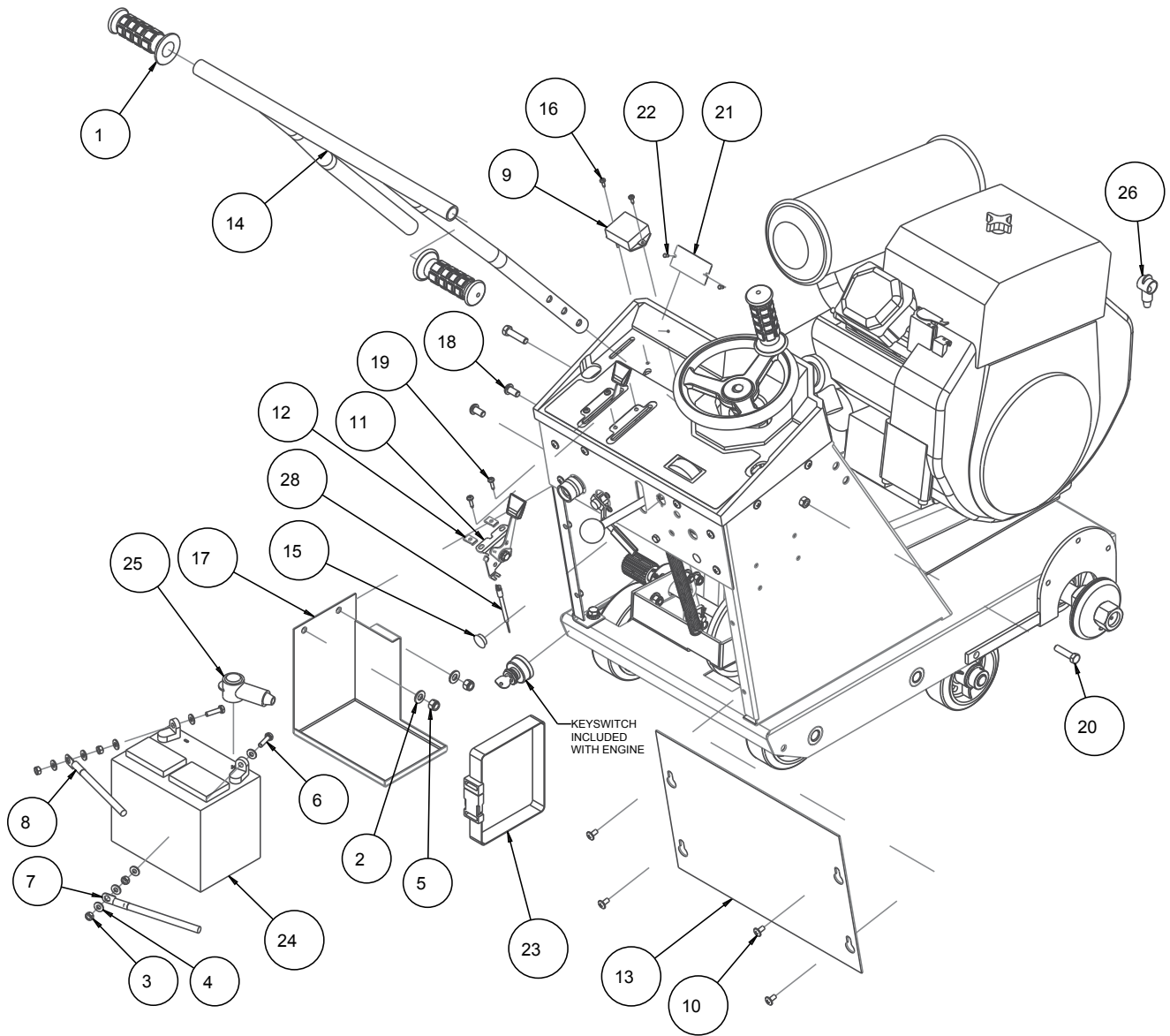


FIGURE 2 - MK-2425KSP CONCRETE SAW - P/N 170957

ITEM NO.	DESCRIPTION	PART #	QTY.
1	GRIP, HANDLE, 1.0 ID	150842	2
2	WASHER, FLAT, SAE, 3/8	150923	2
3	NUT, HEX, 1/4-20	151893	4
4	WASHER, FLAT, SAE, 1/4	151915	8
5	NUT, HEX, NYLK, 3/8-16	152505	2
6	SCREW, HEX HD, TAP, 1/4-20X1	152676	2
7	CABLE, 4GA X 48 RED BATTERY	153848	1
8	CABLE, 4GA X 24 BLACK BATTERY	153849	1
9	TACHOMETER/HOURMETER	153877	1
10	SCREW, 1/4-20 X 1/2 TRUSS HEAD	153880	4
11	ASSY, THROTTLE CONTROL	155406	1
12	NUT, 10-24 CLIP	155407	2
13	PANEL, TOWER LOWER	156505	1
14	HANDLEBAR WELDMENT	156516	1
15	SCREW, PAN HD SELF TAP 8-32 X 1/2	156632	2
16	BOX, BATTERY	156634	1
17	SCREW, BTN HD 3/8-16X 3/4 SCOK	156635	2
18	SCREW, PAN HD PHIL MS 10-24X3/4	156641	2
19	SCREW, HEX HEAD 3/8-16 X 1-1/2 LG.	156656	2
20	TAG, SERIAL NUMBER, BLANK	157500-RW	1
21	STRAP, NYLON, 1"	158094	1
22	BATTERY, 12V, 35AH	162589	1
23	COVER, 1" BATTERY TERMINAL, RED	163940	1
24	COVER, 8-4 AWG TERMINAL, RED	169355	1
25	WIRE HARNESS, EXTENSION, 39"	170736	1
26	CABLE, THROTTLE, 22HP SUBARU (COMP)	170738	1

FIGURE 3 - MK-2425KSP CONCRETE SAW - P/N 170957

ITEM NO.	DESCRIPTION	PART #	QTY.
1	NUT, HEX, 5/16-18	101196	1
2	WRENCH, BOX END, 1-1/2X9/16	137976	1
3	SCREW 3/8-16 X 1-1/4 HEX HEAD CAP	150774	2
4	WASHER, FLAT, SAE, 3/8	150923	11
5	WASHER, 1/2 SAE FLAT	150924	4
6	WASHER, LOCK, SPLIT, 3/8	150925	7
7	SCREW, HEX HD, CAP, 5/16-18 X 3/4	151369	1
8	NUT, HEX, NYLK, 3/8-16	152505	2
9	SCREW, HEX HD CAP, 3/8-16X1	152507	7
10	SCREW, 1/2-13 X 1-1/4 HEX HEAD CAP	153532	4
11	GUARD, SHAFT (COMP)	156307	1
12	HOSE, 1-5/16 X 1/4 X 3' LPG	158872	1
13	TANK, #20 LPG	158873	1
14	BRACKET, LPG TANK	155878	1
15	ASSY, POINTER, CONC SAW	166465	1
16	ASSY, BLD GRD, BOLT-ON, 24"	170830-24	1

FIGURE 4 - BRACKET - P/N 158878

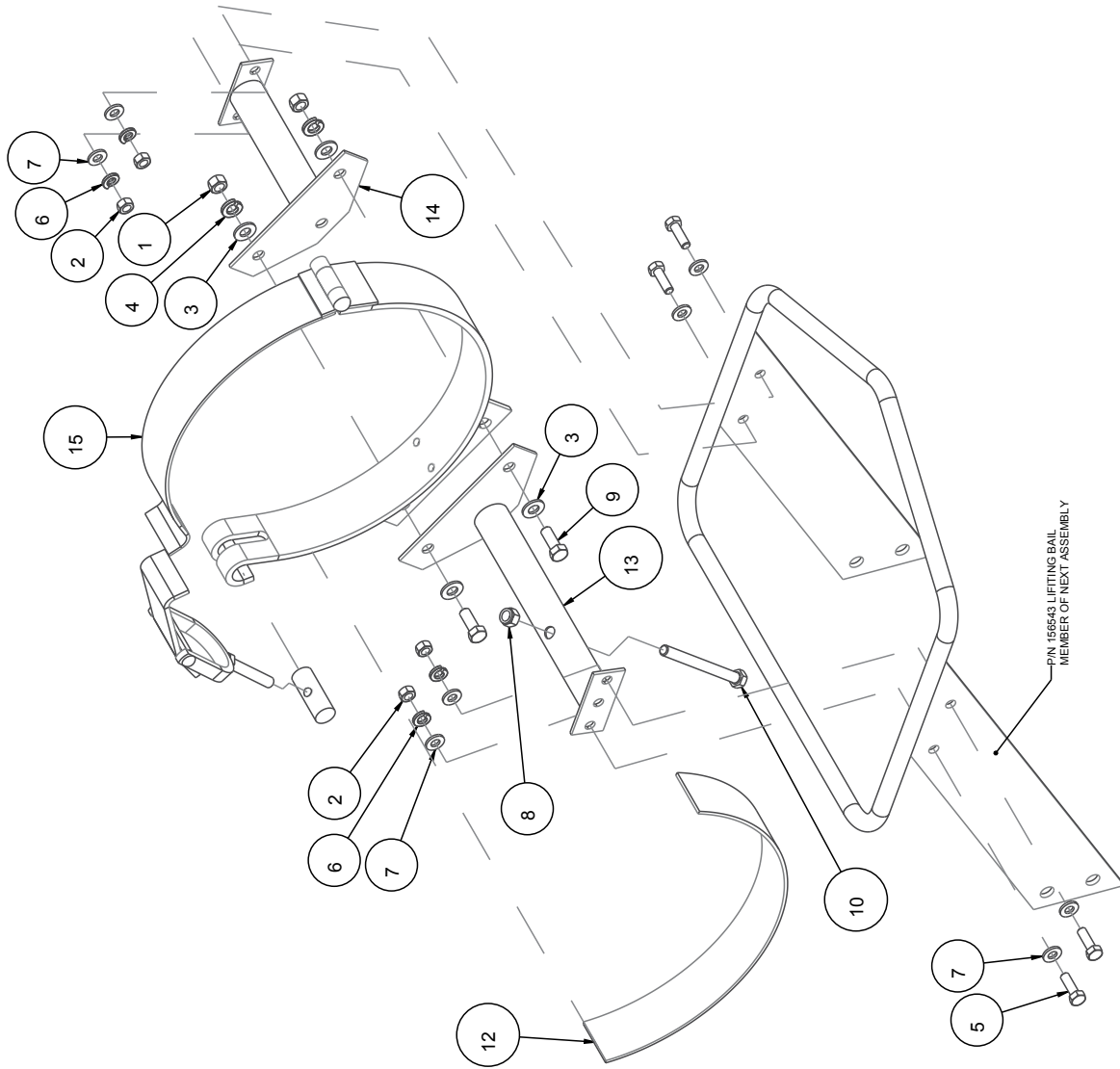


FIGURE 4 - BRACKET - P/N 158878

ITEM NO.	DESCRIPTION	PART #	QTY.
1	NUT, HEX, 3/8-16	101188	2
2	NUT, HEX, 5/16-18	101196	4
3	WASHER, FLAT, SAE, 3/8	150923	4
4	WASHER, LOCK, SPLIT, 3/8	150925	2
5	SCREW, HEX HD, 5/16-18X1	151743	4
6	WASHER, LOCK, SPLIT, 5/16	151747	4
7	WASHER, FLAT, SAE, 5/16	151754	8
8	NUT, HEX, NYLK, 3/8-16	152505	1
9	SCREW, HEX, HD CAP, 3/8-16 X 1	152507	2
10	BOLT, 3/8-16 X 4 HEX HEAD TAP	152678	1
11	CEMENT, RUBBER W/HARDENER	155858	1
12	PAD, LPG TANK BRACKET	158874	1
13	BRACKET, LPG TANK RH	158875	1
14	BRACKET, LPG TANK LH	158876	1
15	BRACKET, LPG TANK	158877	1

FIGURE 5 - FRAME, LESS ENGINE - P/N 170870-K

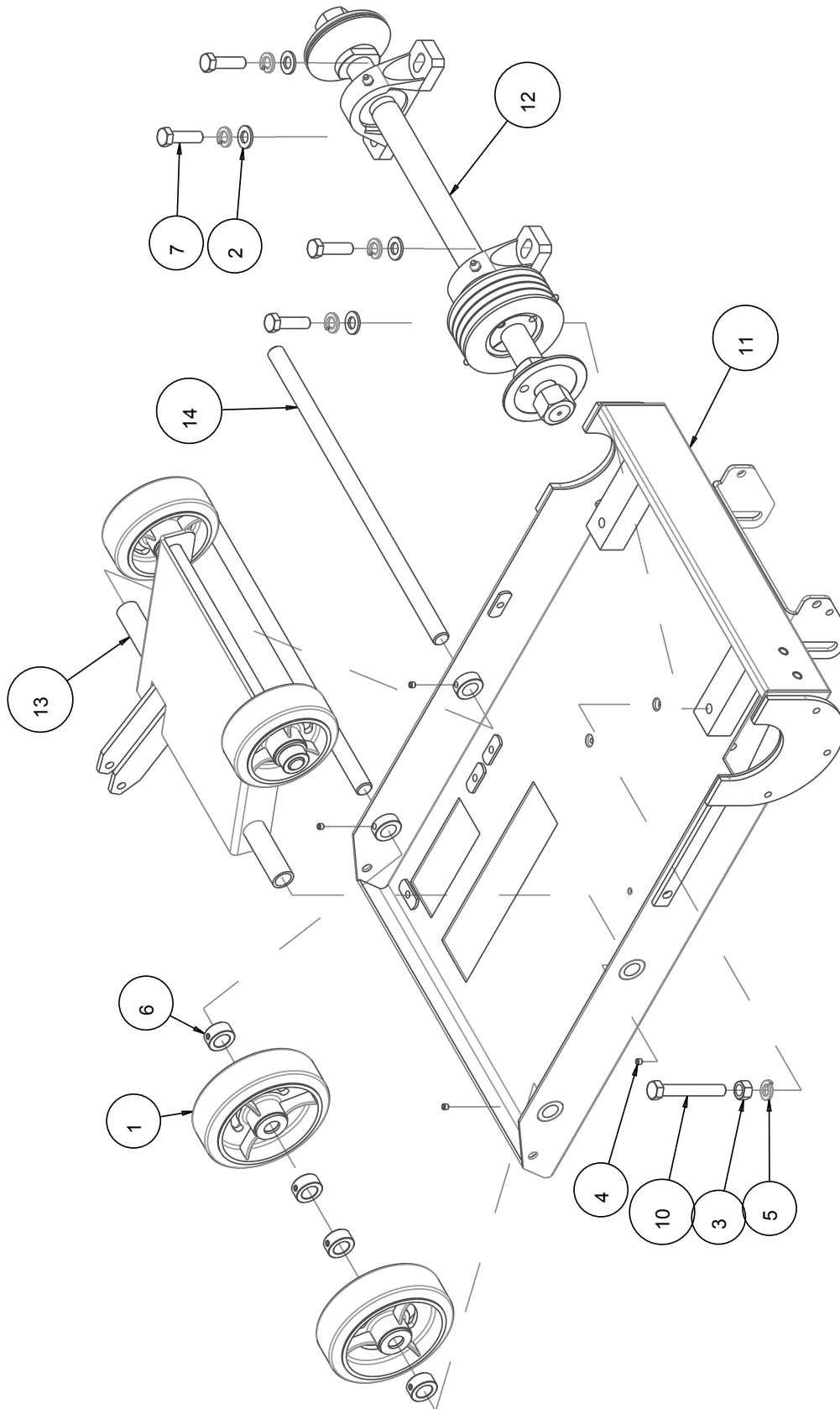


FIGURE 5 - FRAME, LESS ENGINE - P/N 170870-K

ITEM NO.	DESCRIPTION	PART #	QTY.
1	WHEEL, REAR CONCRETE SAW	138529	2
2	WASHER, 1/2 SAE FLAT	150924	4
3	NUT, 1/2-13 HEX	151282	1
4	SCREW, SET, CUP PT, 5/16-18X1/4	152607	4
5	WASHER, 1/2 SPLIT LOCK	153524	5
6	COLLAR, SET, 3/4"	153814	4
7	SCREW, 1/2-13 X 1-3/4 HEX HEAD CAP	153853	4
8	ASSY, THROTTLE CONTROL	155406	1
9	ASSY, PIN CLEVIS 3/8 X 1 - /14	156611	1
10	SCREW, HEX HD, TAP, 1/2-13X3-1/2	158284	1
11	FRAME, WELDMENT, 24"	170788	1
12	ASSY, BLADE SHAFT, 2424	170864	1
13	ASSY, TRUCK	170867	1
14	AXLE, 3/4 X 18	170869	2

FIGURE 6 - FRAME, LESS ENGINE - P/N 170870-K

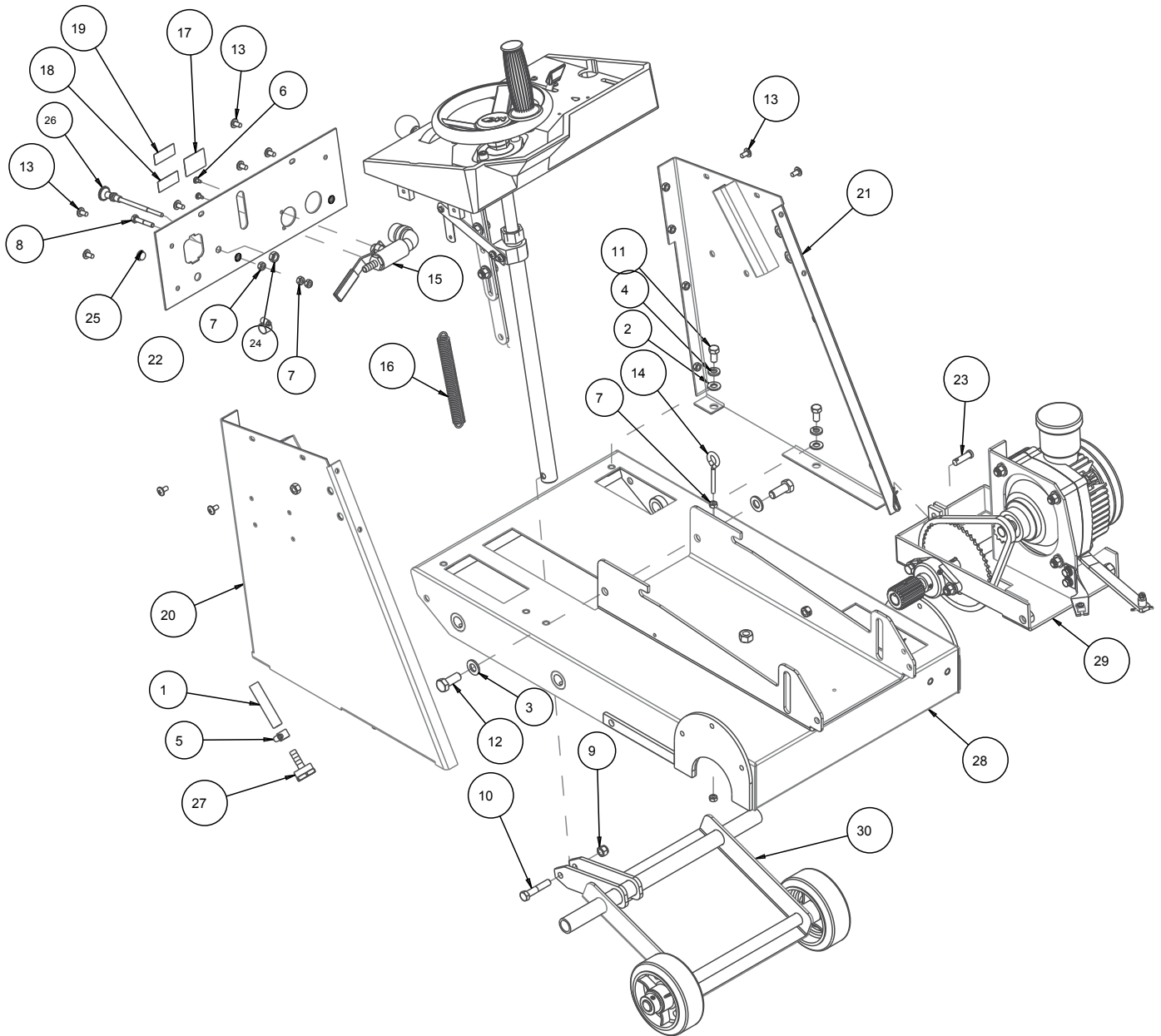


FIGURE 6 - FRAME, LESS ENGINE - P/N 170870-K

ITEM NO.	DESCRIPTION	PART #	QTY.
1	HOSE, 3/8 X 5/8 VINYL, 48"	150845	1
2	WASHER, FLAT, SAE, 3/8	150923	13
3	WASHER, 1/2 SAE FLAT	150924	2
4	WASHER, LOCK, SPLIT, 3/8	150925	4
5	CLAMP, HOSE, 5/8	151198	2
6	SCREW, PAN HD SELF TP10-24 X 3/8	151262	2
7	NUT, HEX, 1/4 - 20	151893	6
8	SCREW, HEX HEAD 1/4 - 20 X 1-1/2"	151914	1
9	NUT, 3/8 - 16 NYLOK HEX	152505	6
10	SCREW, HEX HD, CAP, 3/8 - 16 X 2	153485	2
11	SCREW, HEX, 3/8 - 16 X 3/4	153527	4
12	SCREW, 1/2 - 13 X 1-1/4 HEX HEAD CAP	153532	2
13	SCREW, 1/4 - 20 X 1/2 TRUSS HEAD	153880	10
14	EYEBOLT, 1/4 - 20 X 2	153887	1
15	ASSY, WATER VALVE	153888	1
16	SPRING, EXTENSION, 3/4OD X 6.5L X .091WIRE	153957	1
17	LABEL, WATER SHUT OFF/ON	154404	1
18	LABEL, ENGAGE	154405	1
19	LABEL, DISENGAGE	154406	1
20	PANEL, SIDE COV R HND	156500	1
21	PANEL, SIDE COV L HND	156501	1
22	PANEL, TOWER UPPER KSP	156504-K	1
23	ASSY, PIN CLEVIS 3/8 X 1-1/4	156611	1
24	NUT, HEX, JAM, 3/8-24	156623	1
25	PLUG, 1/2 FLUSH HEAD BUTTON	156779	1
26	CABLE, CHOKE, KOHLER (COMP)	158871	1
27	FITTING, 3/4 X 11.5 FNH X 3/8 BARB	163991	1
28	FRAME, WELDMENT, 24"	170788	1
29	ASSY, TRANSMISSION	170862	1
30	ASSY, TRUCK	170867	1

FIGURE 7 - FRAME, LESS ENGINE - P/N 170870-K

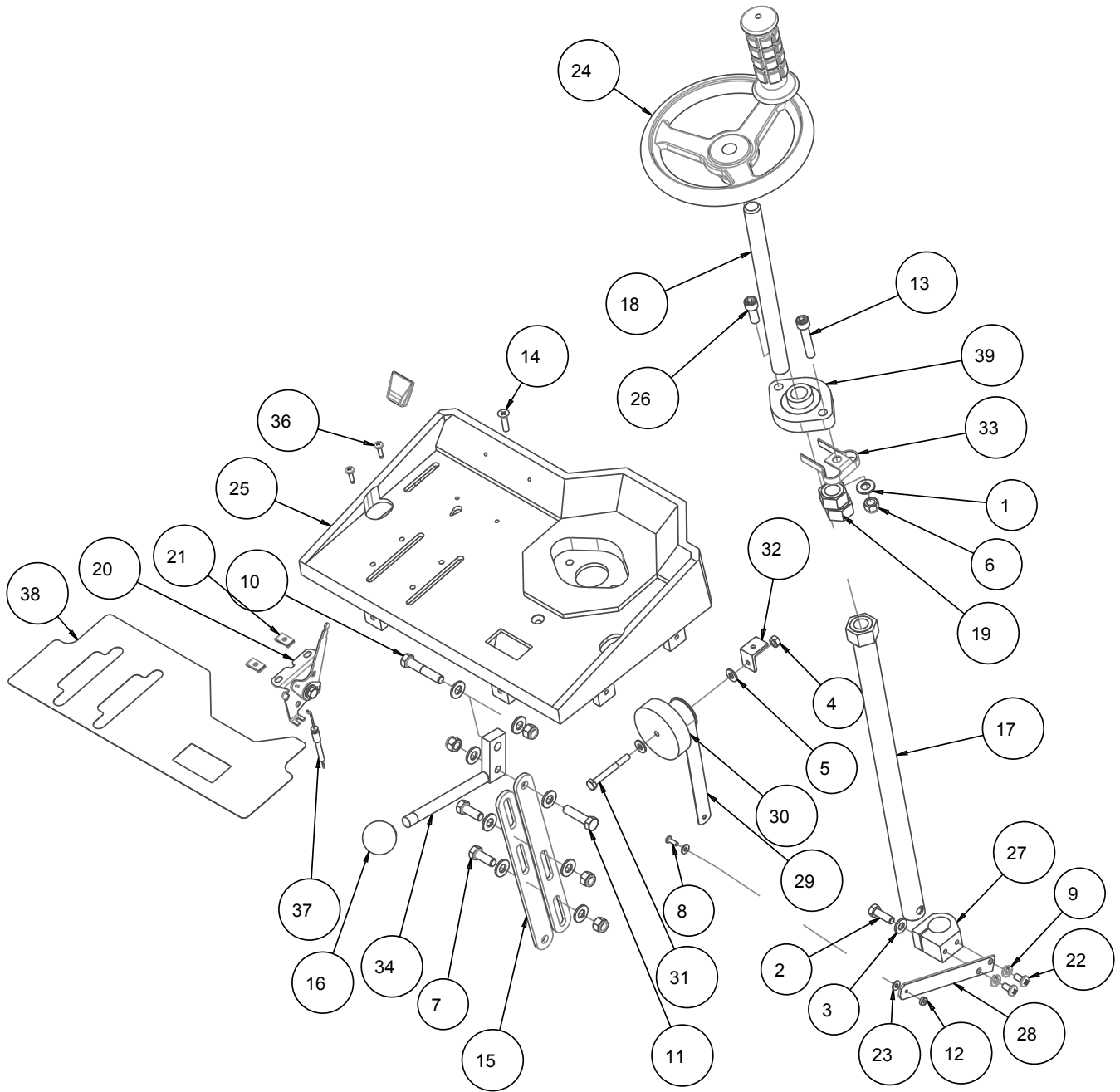


FIGURE 7 - FRAME, LESS ENGINE - P/N 170870-K

ITEM NO.	DESCRIPTION	PART #.	QTY.
1	WASHER, FLAT, SAE, 3/8	150923	9
2	SCREW, HEX HD, 5/16 - 18 X 1	151743	1
3	WASHER, FLAT, SAE, 5/16	151754	1
4	NUT, HEX, 1/4 - 20	151893	1
5	WASHER, 1/4 SAE FLAT	151915	2
6	NUT, 3/8 -16 NYLOK HEX	152505	5
7	SCREW, HEX HD CAP, 3/8 - 16 X 1	152507	2
8	SCREW, RND HD, #8 - 32 X 1/2	152517	1
9	WASHER, 1/4 SPLIT LOCK	152951	2
10	SCREW, HEX HD, 3/8 - 16 X 2	153485	1
11	SCREW, 3/8 -16 X 1-1/2 HEX HEAD	153528	1
12	NUT, HEX, 8 -32	153549	1
13	SCREW, SOC HD, CAP, 3/8 - 16 X2	153643	1
14	SCREW, FLAT HD, SOC, 1/4 -20 X 1"	153894	1
15	ARM, DRIVE ADJUSTMENT	154242	2
16	KNOB, 1/2 - 20 FEM BALL	154486	1
17	LINKAGE, DEPTH FEED 1600/9000	155049	1
18	STUD, 3/4 - 10 X 10"	155062	1
19	NUT, 3/4 - 10 HEX	155063	2
20	ASSY, THROTTLE CONTROL	155406	1
21	NUT, 10 -24 CLIP	155407	2
22	SCREW, PAN HD, CAP, 1/4 - 20 X 1/2	155452	2
23	WASHER, FLAT, SAE, #8	155454	2
24	ASSY, CRANK WHEEL, 3/4 - 10	155457	1
25	PANEL, CONTROL (COMP)	156305	1
26	SCREW, SOCKET HEAD CAP 3/8 - 16 X 1	156602	1
27	CLAMP, DEPTH INDICATOR	156603	1
28	ARM, DEPTH INDICATOR	156604	1
29	SPRING, DEPTH GAUGE	156605	1
30	SPOOL, 2.75 DIA DEPTH INDICATOR	156606	1
31	SCREW, HEX HD, CAP, 1/4 - 20 X 2 - 1/4	156607	1
32	BRACKET, DEPTH INDICATOR	156608	1
33	SPRING, DETENT	156609	1
34	HANDLE, ENGAGE	156610	1
35	ASSY, PIN CLEVIS 3/8 X 1 - 1/4	156611	1
36	SCREW, PAN HD PHIL MS 10 - 24 X 3/4	156641	2
37	CABLE, TRANSMIS 20 -SERIES, COMP	156643	1
38	LABEL, CONTROL PANEL	156749	1
39	BEARING, FLANGE, 3/4 ID, FD204	165971	1

FIGURE 8 - TRUCK - P/N 170867

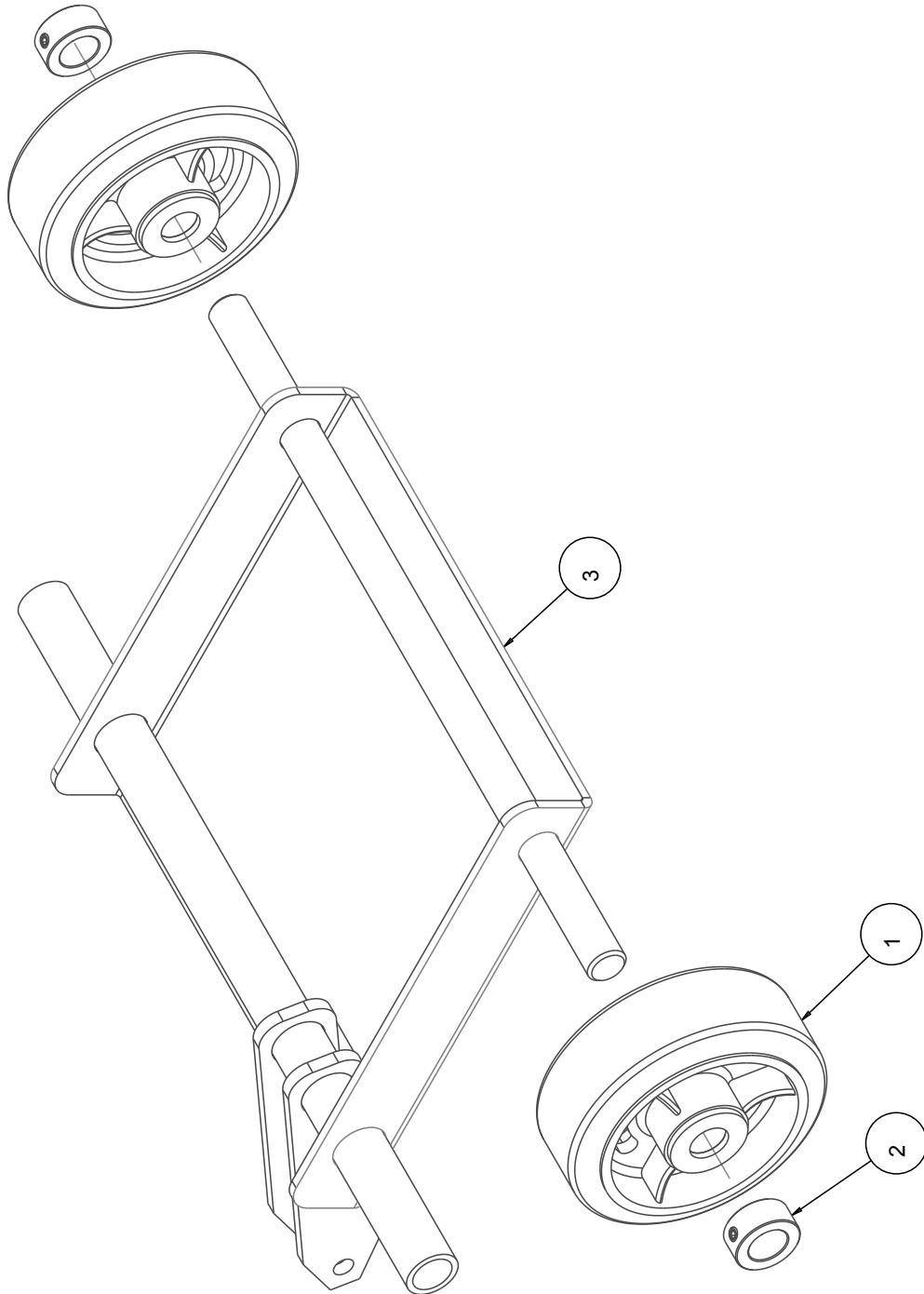


FIGURE 8 - TRUCK - P/N 170867

ITEM NO.	DESCRIPTION	PART #	QTY.
1	WHEEL, FRONT5"X2"W	138537	2
2	COLLAR, SET, 3/4"	153814	2
3	TRUCK	170868	1

FIGURE 9 - MK-2425KSP LPG TRANSMISSION P/N 169711

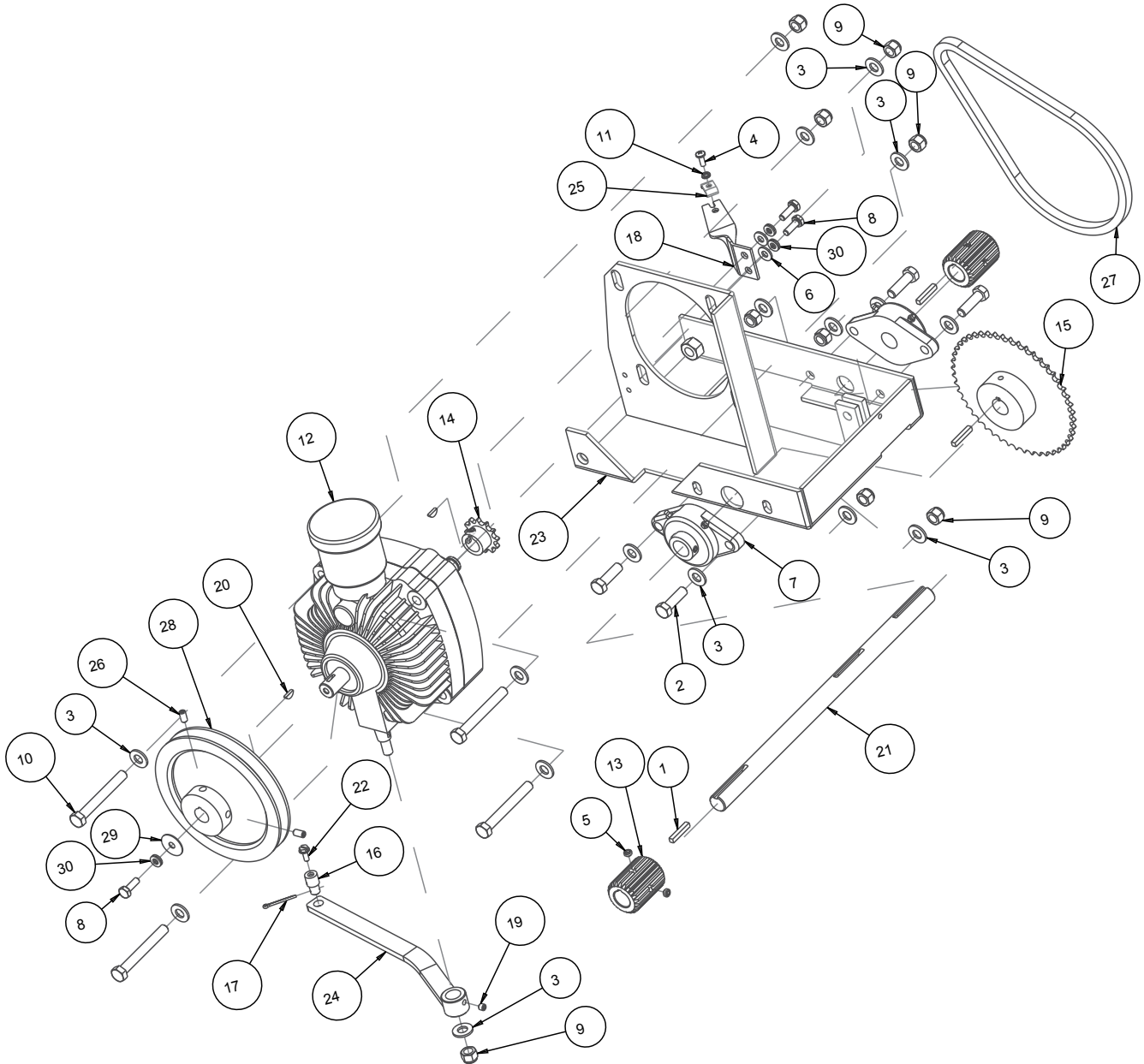
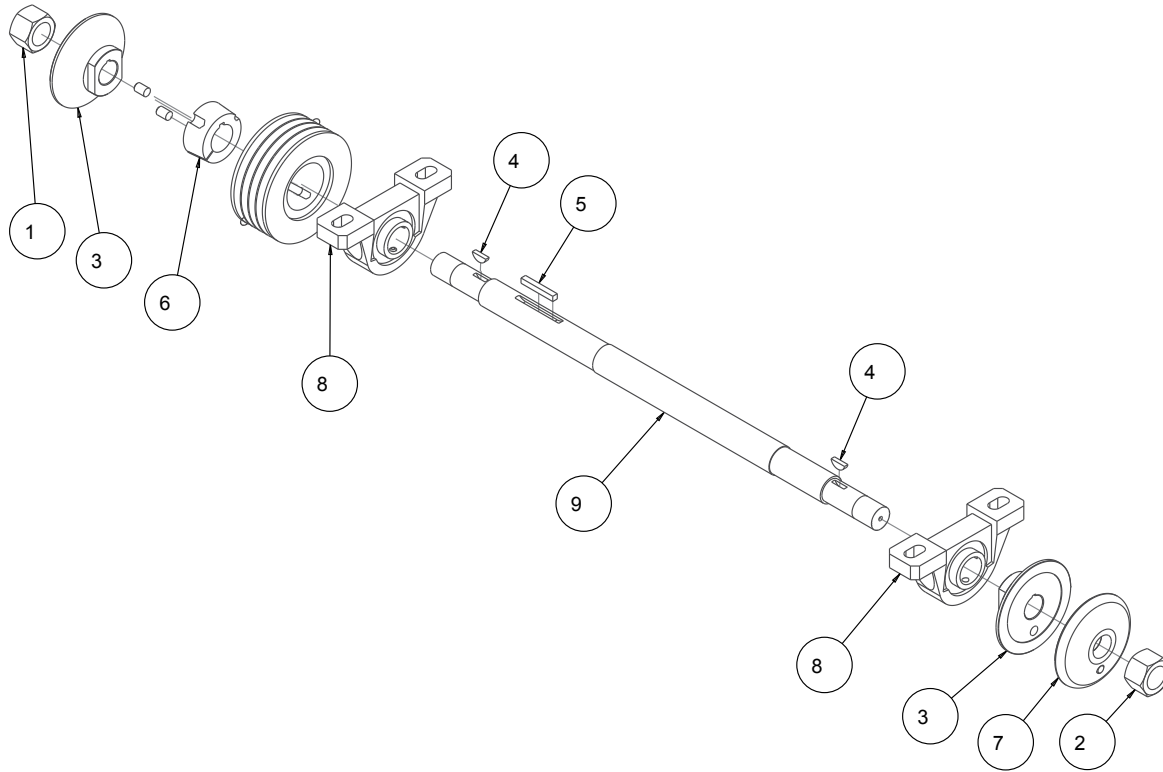


FIGURE 9 - MK-2425KSP LPG TRANSMISSION P/N 169711

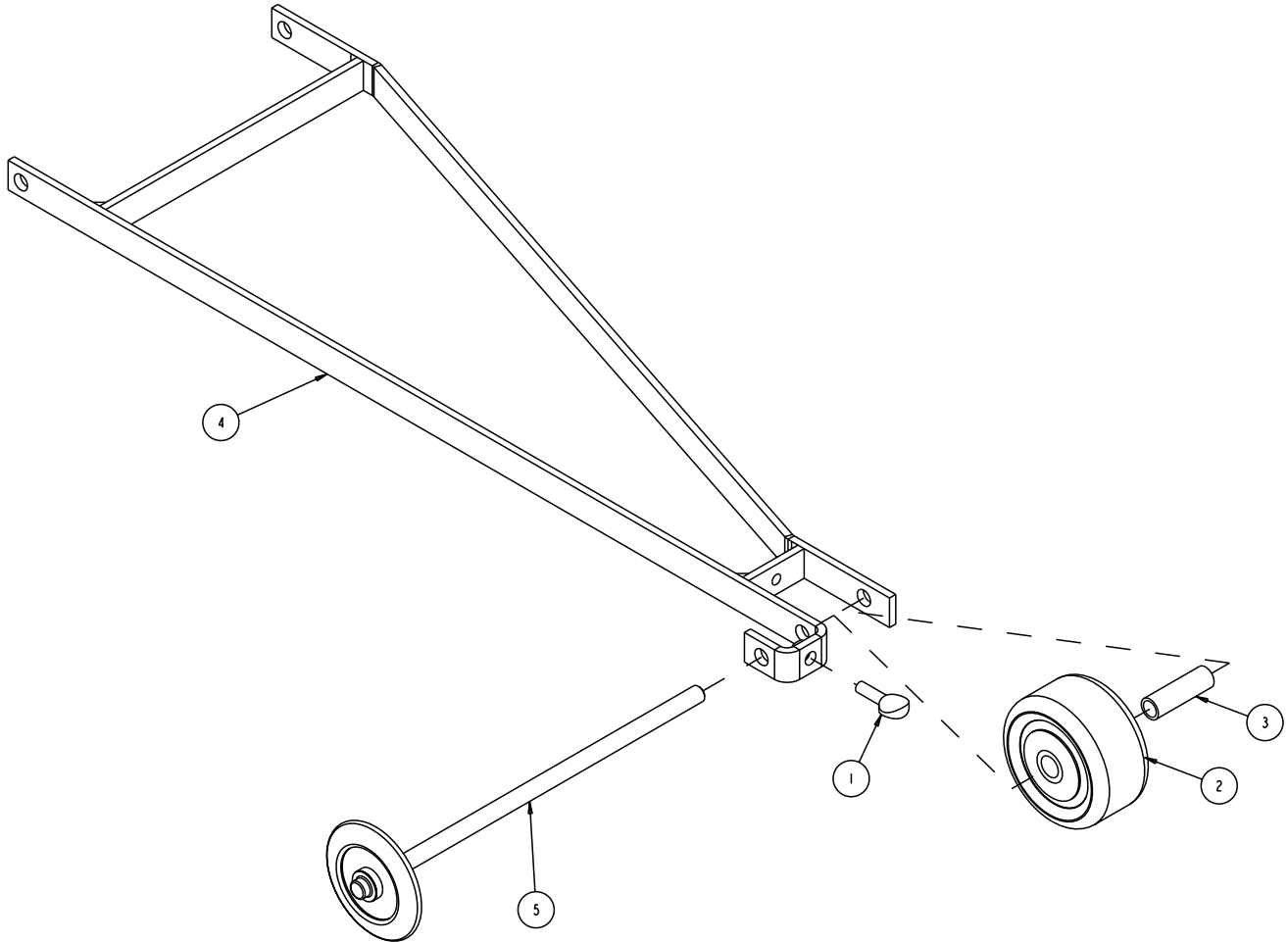
ITEM NO.	DESCRIPTION	PART #	QTY.
1	KEY, 3/16 SQ X 1 - 1/8	150344	3
2	SCREW, 3/8 - 16 X 1 - 1/4 HEX HEAD CAP	150774	4
3	WASHER, FLAT, SAE, 3/8	150923	17
4	SCREW, PAN HD, 10 - 32 X 1/2	151052	1
5	SCREW, SET, CUP PT, 5/16 - 18 X 3/16	151167	4
6	WASHER, 1/4 SAE FLAT	151915	2
7	BEARING, Ø 3/4 FLANGE	152025	2
8	SCREW, HEX HD, 1/4 - 20 X 3/4	152370	2
9	NUT, 3/8 - 16 NYLOK HEX	152505	9
10	SCREW, 3/8 - 16 X 3 HEX HEAD CAP	153113	4
11	WASHER, #10 SPLIT LOCK	153684	1
12	PUMP, TRANSMISSION	153783	1
13	SPLINE, 1 - 1/2 X 2	153786	2
14	SPROCKET, #35-B12 X 17 MM BORE	153811	1
15	SPROCKET, #35-B12 X 17 MM BORE	153812	1
16	PIN, WIRE STOP	153842	1
17	PIN, COTTER 1/8 X 1 - 1/2	153860	1
18	BRACKET, TRANS CONTROL	153862	1
19	SCREW, SET CNE PT 1/4 - 20 X 1/4	153864	1
20	KEY, WOODRUFF, 1/8 X 1/2	153865	2
21	SHAFT, FRICTION DRIVE	153891	1
22	SCREW, HEX HD FL 10 - 24X 5/16	154172	1
23	MOUNT, TRANS	154230	1
24	LEVER, TRANS CONTROL	154238	1
25	CLAMP, CABLE	154383	1
26	SCREW, 1/4 - 20 X 1/2 SOCKET HEAD SET	155804	2
27	CHAIN, ROLLER	156309	1
28	PULLEY, A6.2 X 17 MM BORE, OFFSET	164565	1
29	WASHER, FENDER, 1/4 X 1	169049	1
30	WASHER, CHROMATE, 1/4 PAIR	169693	3

FIGURE 10 - BLADE SHAFT - P/N 170864



ITEM NO.	DESCRIPTION	PART #	QTY.
1	NUT, 1 - 14 RIGHT HAND	138693	1
2	NUT, 1 - 14 LEFT HAND	138701	1
3	FLANGE, INNER	150731	2
4	KEY, 3/16 X 3/4 WOODRUFF	150794	2
5	KEY, SQUARE, 1/4 X 1 - 3/4	150796	1
6	BUSHING, TPR-LOCK 1610X1 - 3/16"	155011	1
7	ASSY, OUTER FLANGE, 4"	155451	1
8	BEARING, 1 - 3/16X24 ID PILLOW BLOCK	155622	2
9	SHAFT, BLADE, 1 3/16 x 24	170865	1
10	PULLEY,4/3VX/4.75 X 1615TB	170866	1

FIGURE 11 - ASSY, POINTER - P/N 166465



ITEM NO.	DESCRIPTION	PART #	QTY.
1	SCREW, THUMB 1/4 - 20 X 3/4	150991	1
2	WHEEL, POINTER, 3"	155066	1
3	BUSHING, 3/8ID X 1 - 5/8L	155153	1
4	POINTER ARM, MK-1600	156544	1
5	ASSY, POINTER WHEEL	165238	1

FIGURE 12 - ENGINE, KOHLER CH730LPG - P/N 170965

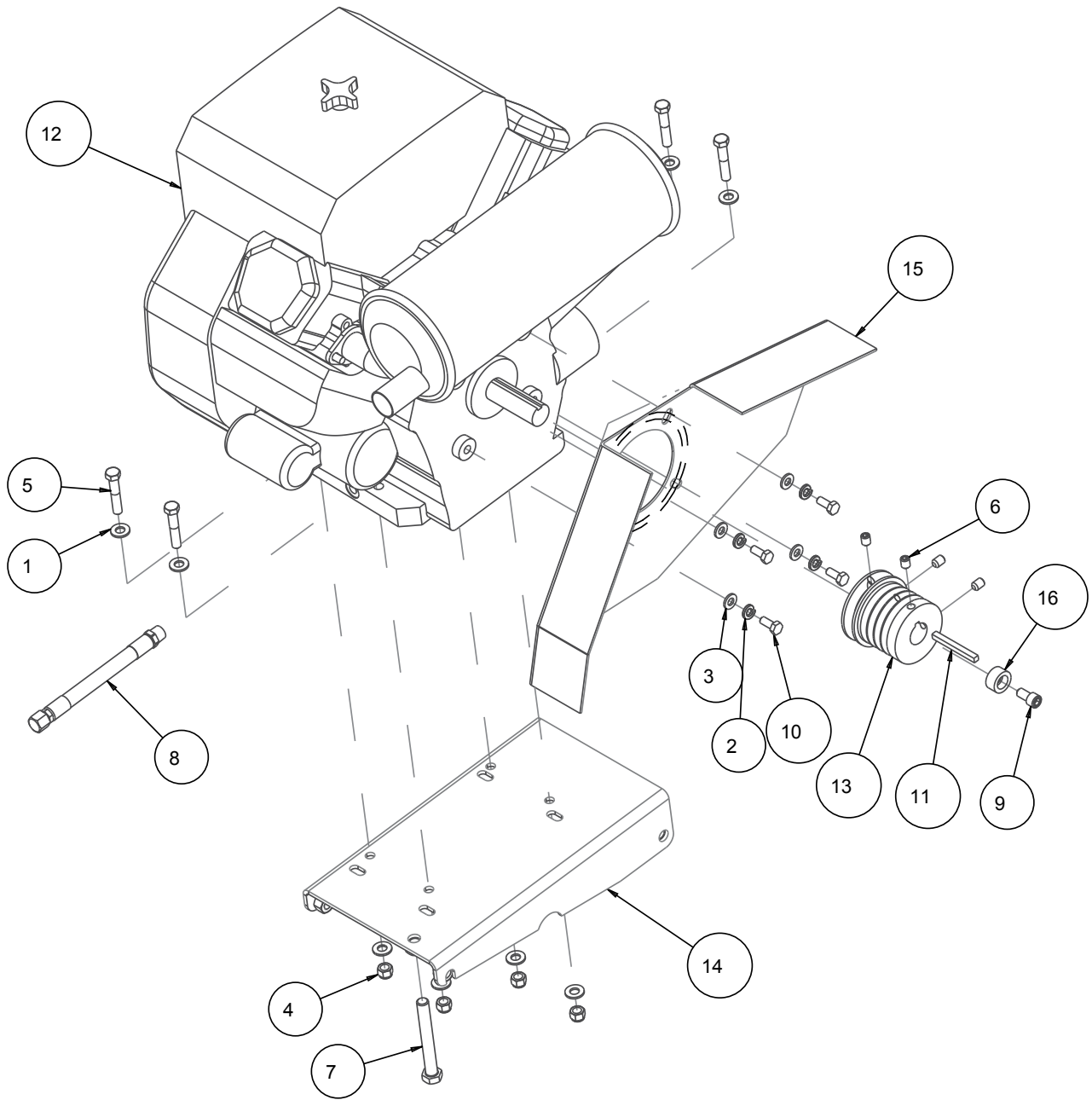
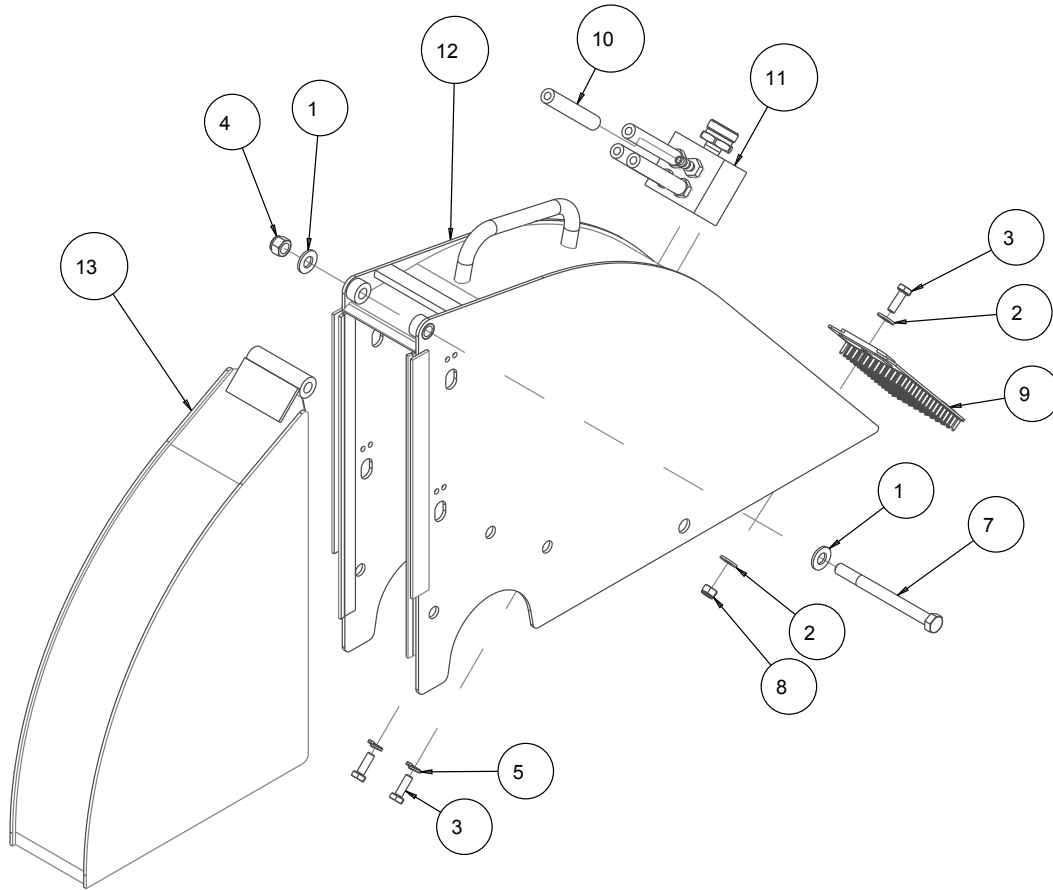


FIGURE 12 - ENGINE, KOHLER CH730LPG - P/N 170965

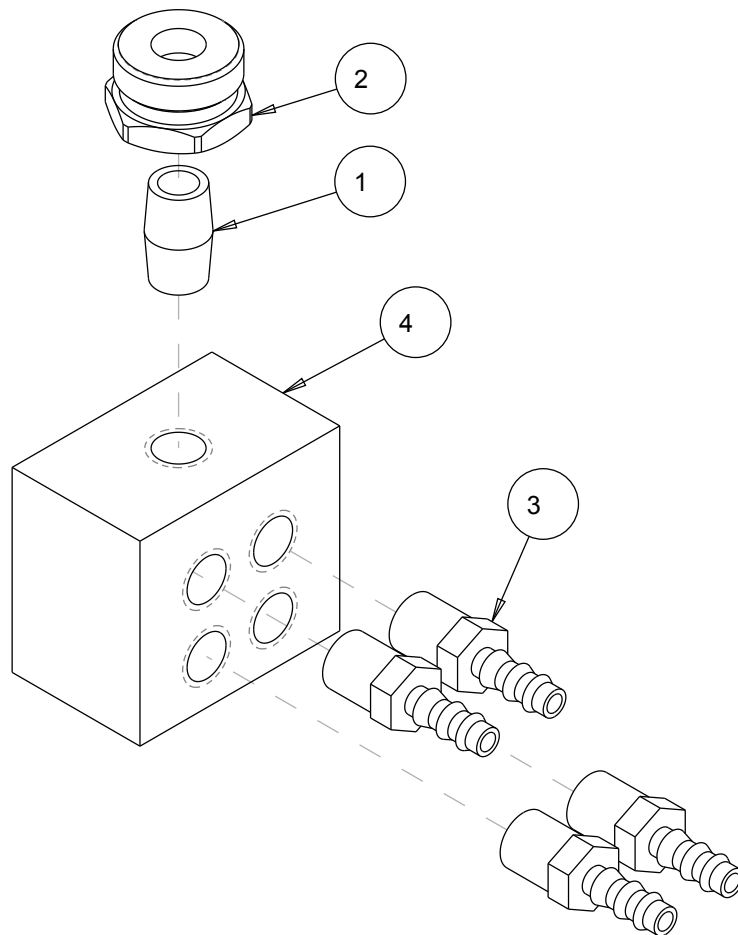
ITEM NO.	DESCRIPTION	PART #	QTY.
1	WASHER, FLAT, SAE, 3/8	150923	8
2	WASHER, LOCK, SPLIT, 5/16	151747	4
3	WASHER, FLAT, SAE, 5/16	151754	4
4	NUT, 3/8 - 16 NYLK HEX	152505	4
5	SCREW, HEX HD, 3/8 - 16 X 2	153485	4
6	SCREW, SET, SOC, CUPT, 3/8-16X1/2	153710	4
7	SCREW, HEX, HD, TAP, 1/2-13X4	156626	1
8	HOSE, OIL DRAIN, 3/8MNPT	157577-05	1
9	SCREW, HEX HD, CAP, 3/8-24X3/4	158496	1
10	SCREW, HEX HD, CAP, 5/16-24X3/4	165617	4
11	KEY, SQUARE, 1/4X2-1/2	165779	1
12	ENGINE, KOHLER, CH730LPG 25HP	170589	1
13	PULLEY, 4/3V28/A32 X 1 BORE	170876-1	1
14	MOUNT, ENGINE	170877	1
15	GUARD, BELT, OUTER, 24KSP	171152	1
16	STUB, PTO, 24KSP	171154	1

FIGURE 13 - BLADE GUARD - P/N 170830-24



ITEM NO.	DESCRIPTION	PART#	QTY.
1	WASHER, FLAT, SAE, 3/8	150923	2
2	WASHER, FLAT, SAE, 1/4	151915	2
3	SCREW, HEX HD, 1/4-20X3/4	152370	3
4	NUT, HEX, NYLK, 3/8-16	152505	1
5	WASHER, LOCK, SPLIT, 1/4	152591	2
6	TIE, NYLON CABLE, 1/8 X 4, BLACK	158528	4
7	SCREW, HEX HD, 3/8-16X4-1/4	158604	1
8	NUT, HEX, NYLK, 1/4-20	159857	1
9	GUARD, SPLASH	160310	1
10	HOSE, VINYL, 1/4 X 1/2 (24"L)	167620	4
11	ASSY, WATER MANIFOLD, 4T	167625	1
12	GUARD, BLD, REAR, BOLT-ON, 24"	170828-24	1
13	GUARD, BLD, FRNT, BOLT-ON, 24"	170829-24	1

FIGURE 14 - WATER MANIFOLD - P/N 167625



ITEM NO.	DESCRIPTION	PART #	QTY.
1	NIPPLE, 1/4 NPT X CLOSE, BRASS	159905	1
2	FITTING, 3/4X11.5 MNH X 1/4 FNPT	163992	1
3	FITTING, PUSH ON HOSE 1/4 X 1/4 MALE	165183	4
4	MANIFOLD, WATER, 4 TUBE	167623	1

FIGURE 15 - ASSY WATER PUMP KIT P/N 172896 (OPTIONAL)

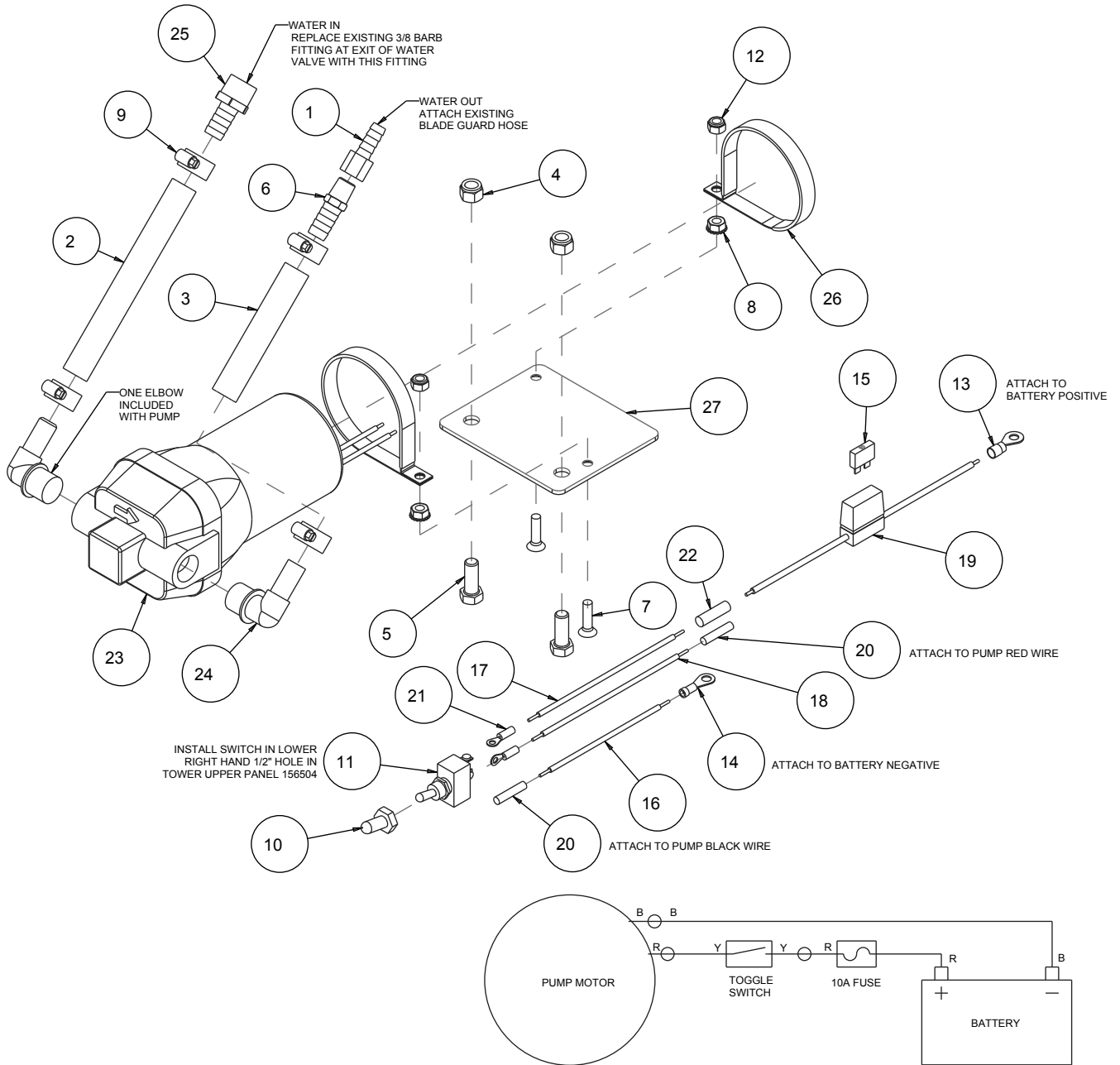


FIGURE 15 - ASSY WATER PUMP KIT P/N 172896 (OPTIONAL)

ITEM NO.	DESCRIPTION	PART #	QTY.
1	FITTING, 1/4 FNPT X 3/8 BARB	152077	1
2	HOSE, VINYL, 1/2 X 3/4 (26")	152410	1
3	HOSE, VINYL, 1/2 X 3/4 (4")	152410	1
4	NUT, HEX, NYLK, 3/8-16	152505	2
5	SCREW, HEX HD CAP, 3/8-16 X 1	152507	2
6	FITTING, 1/4 MNPT X 1/2 BARB	152704	1
7	SCREW, FLAT HD. SOC. 1/4-20 X 1"	153894	2
8	NUT, HEX, TW, 1/4-20	153941	2
9	CLAMP, HOSE, 7/8	154173	4
10	COVER, SWITCH	154301	1
11	SWITCH, TOGGLE 15A/120V 1 PST	156649	1
12	NUT, HEX, NYLK, 1/4-20	159857	2
13	TERMINAL, 12-10 X 1/4 RING PI	152471	1
14	TERMINAL, 16-14 X 1/4 RING PI	162538	1
15	FUSE, 10A ATC BLADE	164597	1
16	WIRE, 14GA BLACK AWN, 24"	168519	1
17	WIRE, 1015, 14GA YELLOW, 26"	168521	1
18	WIRE, 1015, 14GA YELLOW, 52"	168521	1
19	FUSEHOLDER, INLINE, ATC	168973	1
20	TERMINAL, 16-14 BUTT SPLICE	169436	2
21	TERMINAL, 16-14 X #8 RING PI	169440	2
22	TERMINAL, 12-10 BUTT SPLICE	169441	1
23	PUMP, WATER, DIAPHRAGM, 12VDC	170389	1
24	ELBOW, FJ PORT X 1/2 BARB	170390	1
25	FITTING, 1/2 MNPT X 1/2 BARB	170396	1
26	CLAMP, CUSHION LOOP, 3	170398	2
27	PLATE, FLOJET WP, 4000	170521	1
28	SHEET, INSTRUCTION, 20/24 SERIES WATER PUMP KIT	172896-IS	1