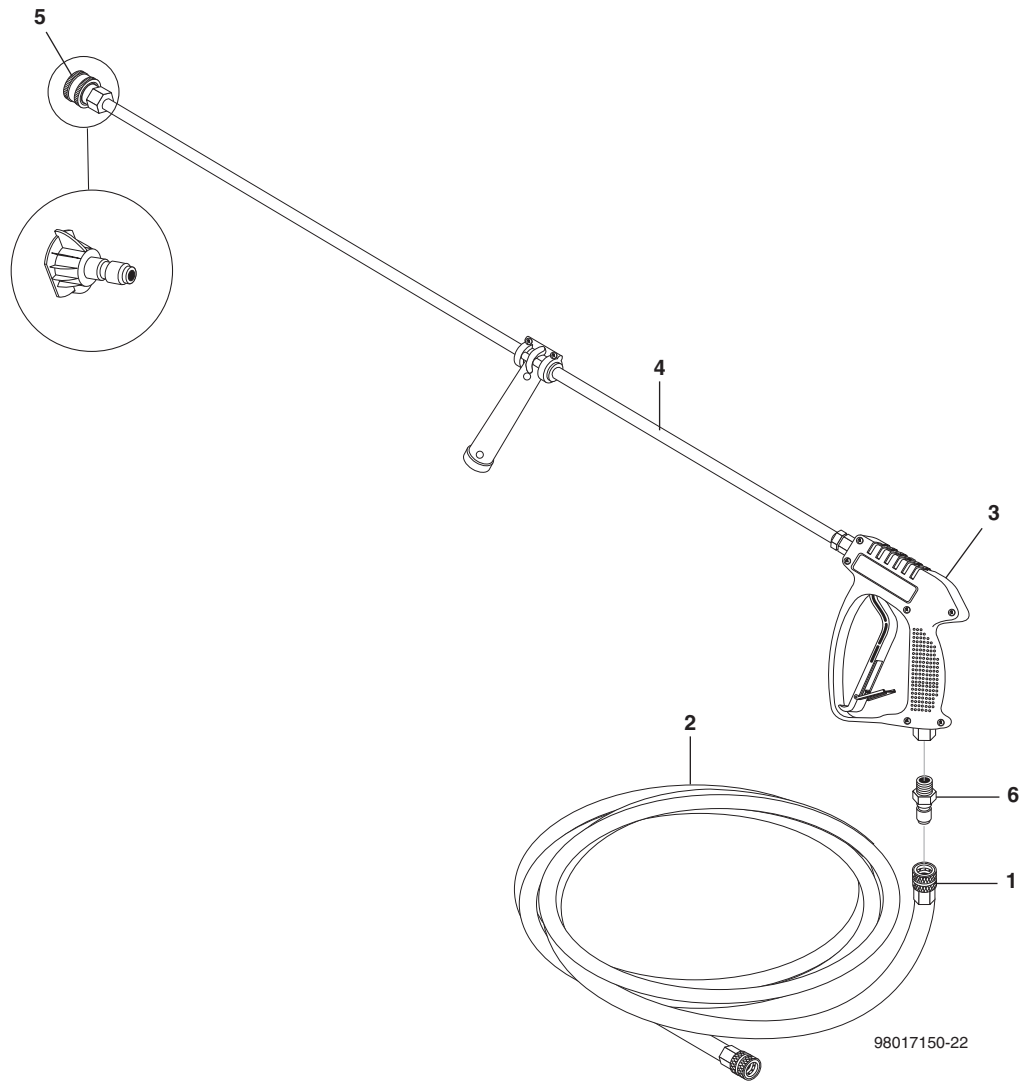


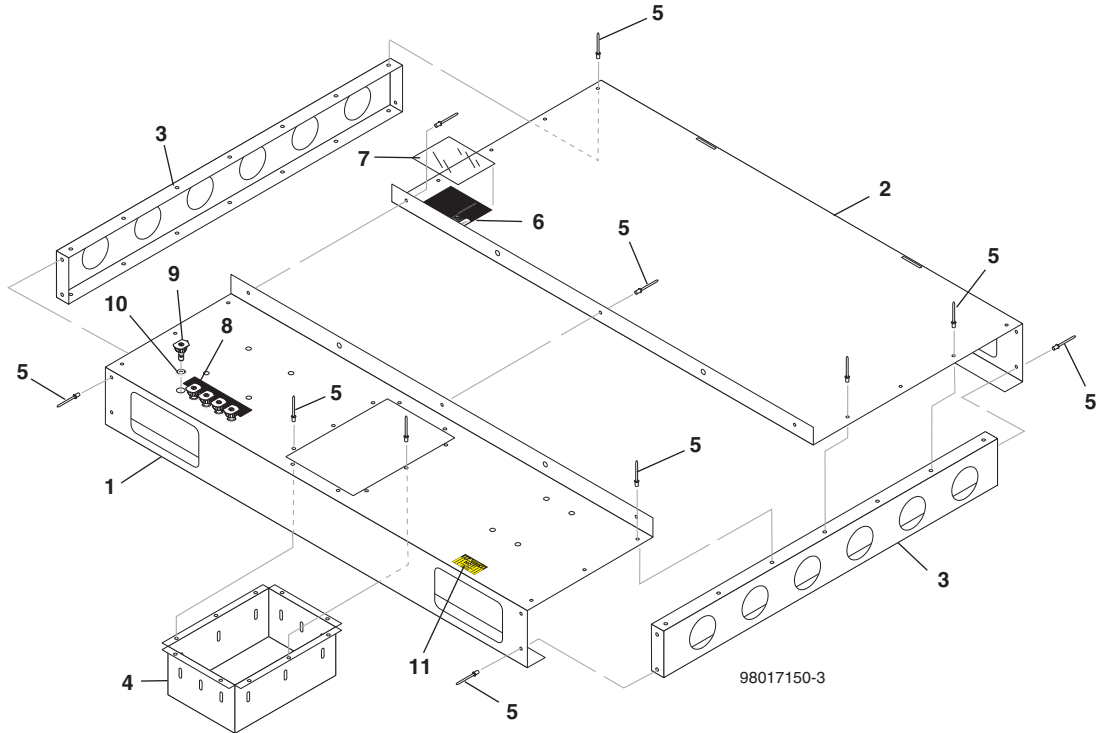
## HOSE & SPRAY GUN ASSEMBLY



## HOSE & SPRAY GUN PARTS LIST

ITEM	PART NO.	DESCRIPTION	QTY	ITEM	PART NO.	DESCRIPTION	QTY
1	9.802-166.0	Coupler, 3/8" Socket, Female, Brass	1	4	9.802-219.0	Wand Assy, Side Grip w/ 1/4" Coupler, 35	1
2	8.917-057.0	Hose 3/8" x 50, 1W, TS, SO-SW, CP	1	5	9.802-164.0	Coupler, 1/4" Socket, Female, Brass	1
3	8.710-384.0	Gun, St-1500, 5000 PSI, 10.4 GPM	1	6	9.802-171.0	Coupler, 3/8" Plug, Male, Steel/Zinc	1

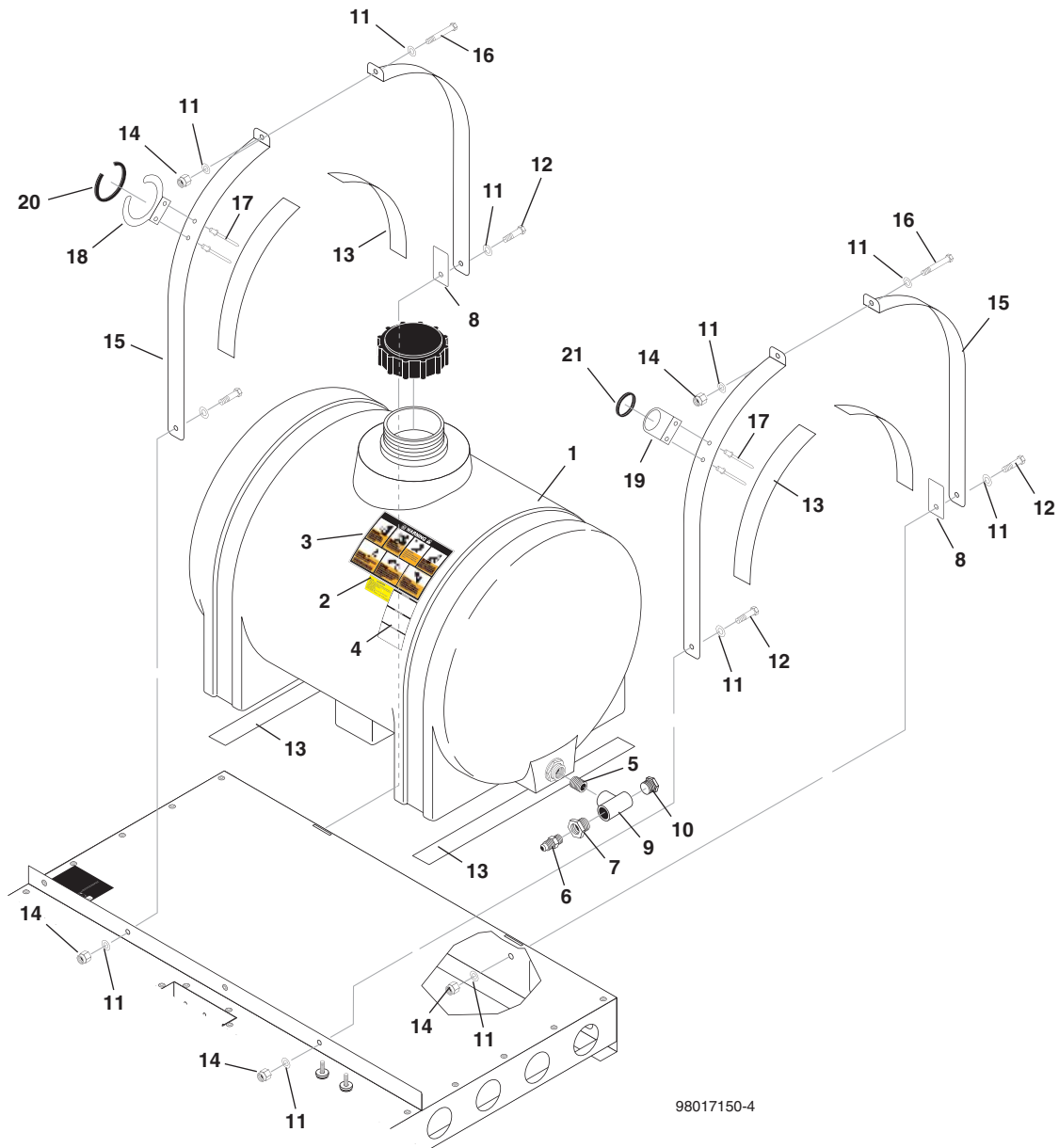
## FRAME EXPLODED VIEW



### FRAME EXPLODED VIEW PARTS LIST

ITEM	PART NO.	DESCRIPTION	QTY	ITEM	PART NO.	DESCRIPTION	QTY
1	8.922-982.0	Base, Pump, ATP	1	8	8.932-967.0	Label, Nozzle 0°, 15°, 25°, 40°, & Soap	1
2	8.922983.0	Base, Tank, ATP	1	9	8.712-331.0	Nozzle, 0003, Red,	1
3	8.922-984.0	End Plate, ATP	2		8.712-333.0	Nozzle, 1503, Yellow	1
4	8.922-985.0	Box, Storage, ATP	1		8.712-334.0	Nozzle, 2503, Green	1
5	8.753-397.0	Rivet, 1/4" PRST	34		8.712-335.0	Nozzle, 4003, White	1
6	8.932-968.0	Label, Intended For Outdoor Use-USA	1		8.712-398.0	Nozzle, 6540, Brass	1
7	9.800-034.0	Label, Clear Lexan	1	10	8.706-547.0	Grommet, 1/2" x 1" x 1/2"	5
				11	9.800-006.0	Label, Hot/Caliente	1

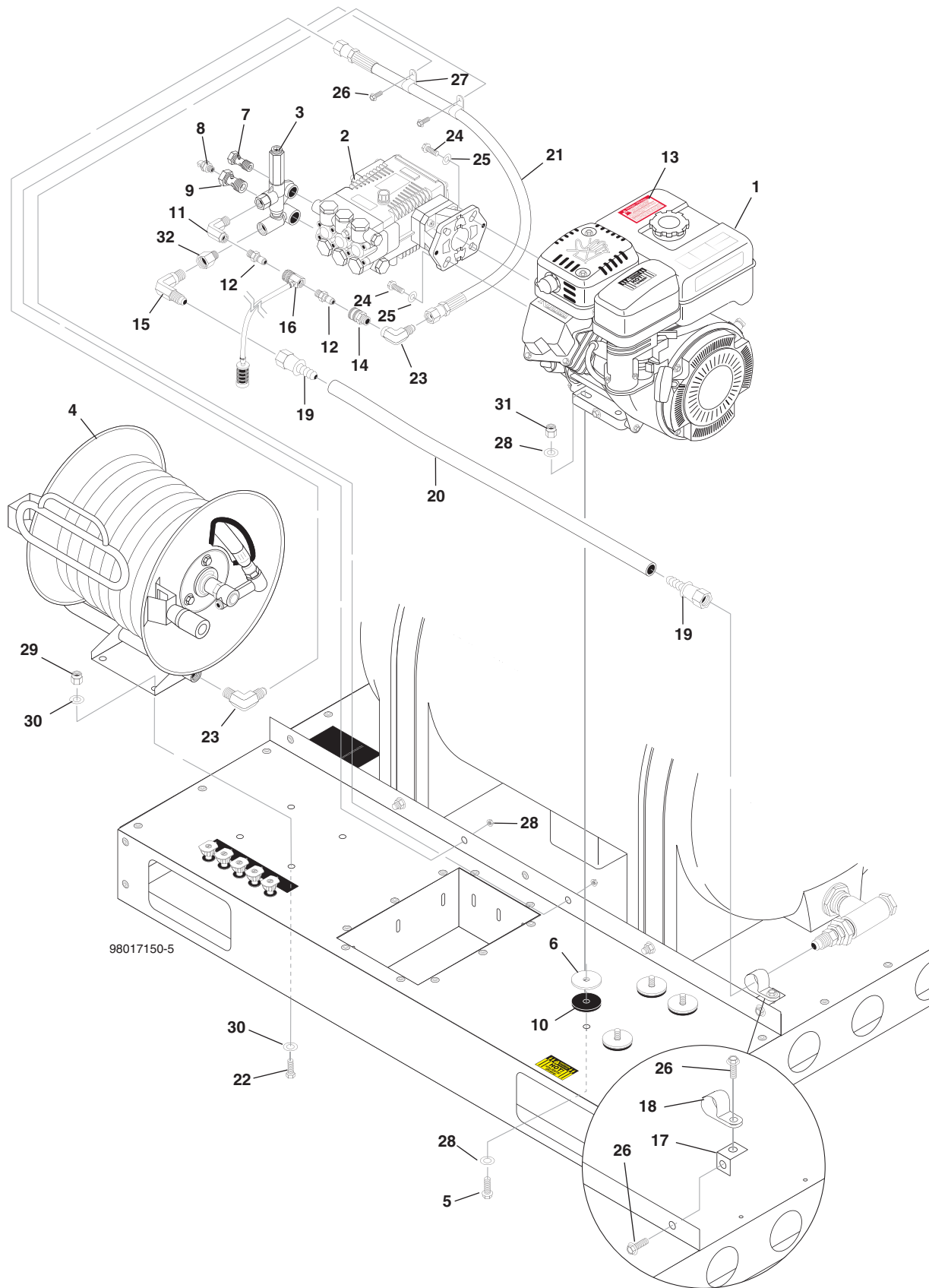
## TANK EXPLODED VIEW



## TANK EXPLODED VIEW PARTS LIST

ITEM	PART NO.	DESCRIPTION	QTY	ITEM	PART NO.	DESCRIPTION	QTY
1	8.753-020.0	Tank, 65 Gallon	1	11	9.802-807.0	Washer, 3/8", SAE, Flat Zinc	12
2	9.800-049.0	Label, Manufacturer's Cleaning Solution	1	12	9.802-720.0	Bolt, 3/8 x 1" NC HH	4
3	9.800-041.0	Label, Warning, Super Skid	1	13	9.802-193.0	Gasket, Neoprene, 20"	6
4	9.803-842.0	Label, Instructions. BR	1	14	9.802-779.0	Nut, ESNA, NC	6
5	8.706-439.0	Nipple, 1" PVC 80, Close	1	15	8.922-986.0	Straps, ATP SS	4
6	8.706-899.0	Nipple, JIC x 3/4" Pipe	1	16	9.802-731.0	Bolt, 3/8-16 x 3" HH	2
7	8.706-412.0	Bushing, 1" x 3/4" MT x FT PVC 80	1	17	8.753-397.0	Rivet, 1/4" PRST	4
8	8.923-035.0	Support, Tank, ATP	2	18	8.923-033.0	Hook, Wand, ATP	1
9	8.706-429.0	Tee, 1" FPT x FPT, PVC 80	1	19	8.923-034.0	Bracket, Wand, ATP	1
10	8.725-518.0	Plug, SCH 40, 1" PVC	1	20	8.706-529.0	Grommet, 1-3/4" Rubber	1
				21	9.802-065.0	Grommet, 1-5/16" Rubber	1

# PLUMBING EXPLODED VIEW



98017150-5

## PLUMBING EXPLODED VIEW PARTS LIST

ITEM	PART NO.	DESCRIPTION	QTY
1	8.751-730.0	Engine, EX170, Subaru	1
2	8.904-816.0	Pump, Shark SG2530G.1	1
3	9.803-899.0	Unloader, VBA35 LG/LD/LE 6.6 GPM at 3500	1
4	9.122-002.0	Hose Reel, Fixed Base	1
5	9.802-716.0	Bolt, 5/16" x 2" NC HH	4
6	9.802-099.0	Washer, Snubbing	4
7	8.917-689.0	Banjo Bolt 3/8" Short	1
8	9.804-025.0	Pump Protector, 1/4" 145°	1
9	8.917-700.0	Banjo Bolt, 1/2" Short	1
10	9.802-067.0	Bumper Pad, Engine	4
11	8.706-207.0	Elbow, 3/8", Street 90°	1
12	9.802-171.0	Coupler, 3/8" Plug, Male	2
13	9.800-008.0	Label, Danger, Cool Engine	1
14	9.802-166.0	Coupler, 3/8" Socket	1
15	9.802-132.0	Elbow, 3/4" MASE x 1/2" MPT	1
16	9.802-224.0	Chemical Injector Assy 2-3 GPM, 0.70	1
17	8.917-268.0	Wlmt, Tab, Bracket	1
18	8.709-091.0	Clamp, Wire/Tube, 1.25 OD	1

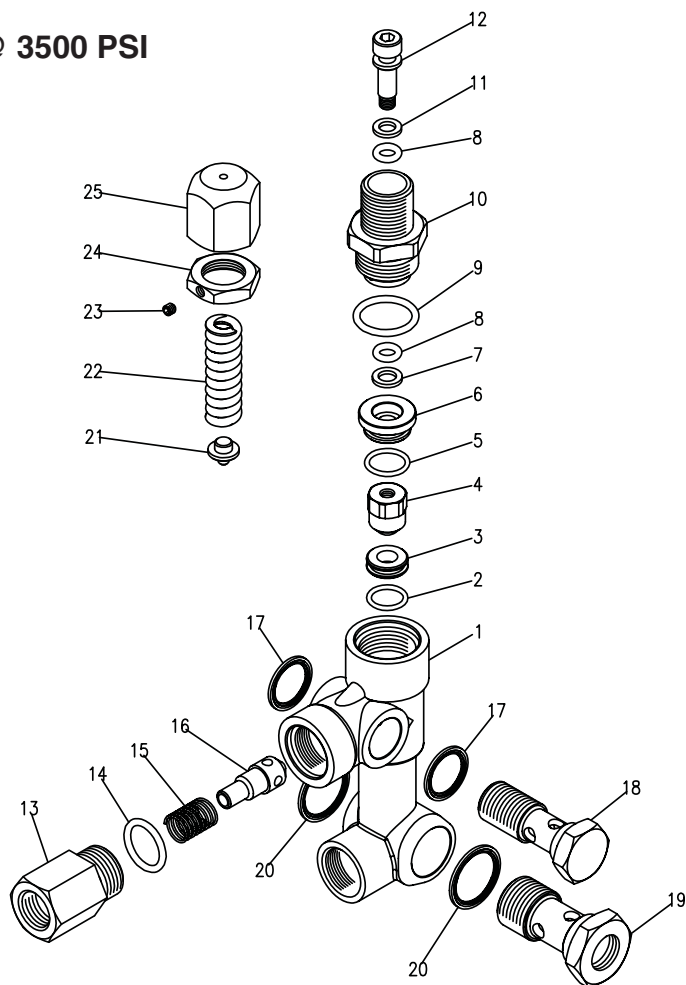
ITEM	PART NO.	DESCRIPTION	QTY
19	9.802-152.0	Swivel, Fem, Push-On	2
20	9.802-261.0	Hose, 3/4" Push-On	2.8 ft
21	8.918-427.0	Hose, 3/8" x 36", 2 Wire	1
22	9.802-720.0	Bolt, 3/8" x 1", NC HH	4
23	9.802-039.0	Elbow, 1/2", 90° JIC x 3/8" MPT	2
24	9.802-707.0	Bolt, 5/16"-24 x 3/4" NF HH	4
25	8.718-980.0	Washer, 5/16" Flat SAE	4
26	9.802-753.0	Screw, 1/4"-20 x 3/4" Whiz Loc	4
27	9.802-204.0	Clamp, Wire/Tube, .75" Dia	2
28	8.718-980.0	Washer, 5/16" Flat, SAE	8
29	9.802-779.0	Nut, 3/8", ESNA, NC	10
30	9.802-807.0	Washer, 3/8", Flat, Zinc	20
31	9.802-776.0	Nut, 5/16"-18, ESNA	4
32	8.706-984.0	Adapter, 1/2 FPT x 1/2 MPT	1

## SPECIFICATIONS

Machine Model	Pressure (PSI)	Nozzle Size	Hose Part #	Pump Model	Pump Part #	Unloader Part #	Engine cc	Engine Part #	
1.107-230.0	2.5	2700	3.0	8.917-057.0	SG2530G.1	8.904-816.0	9.803-899.0	EX169	8.751-730.0

# VBA UNLOADER EXPLODED VIEW

9.803-899.0 6.6 GPM @ 3500 PSI

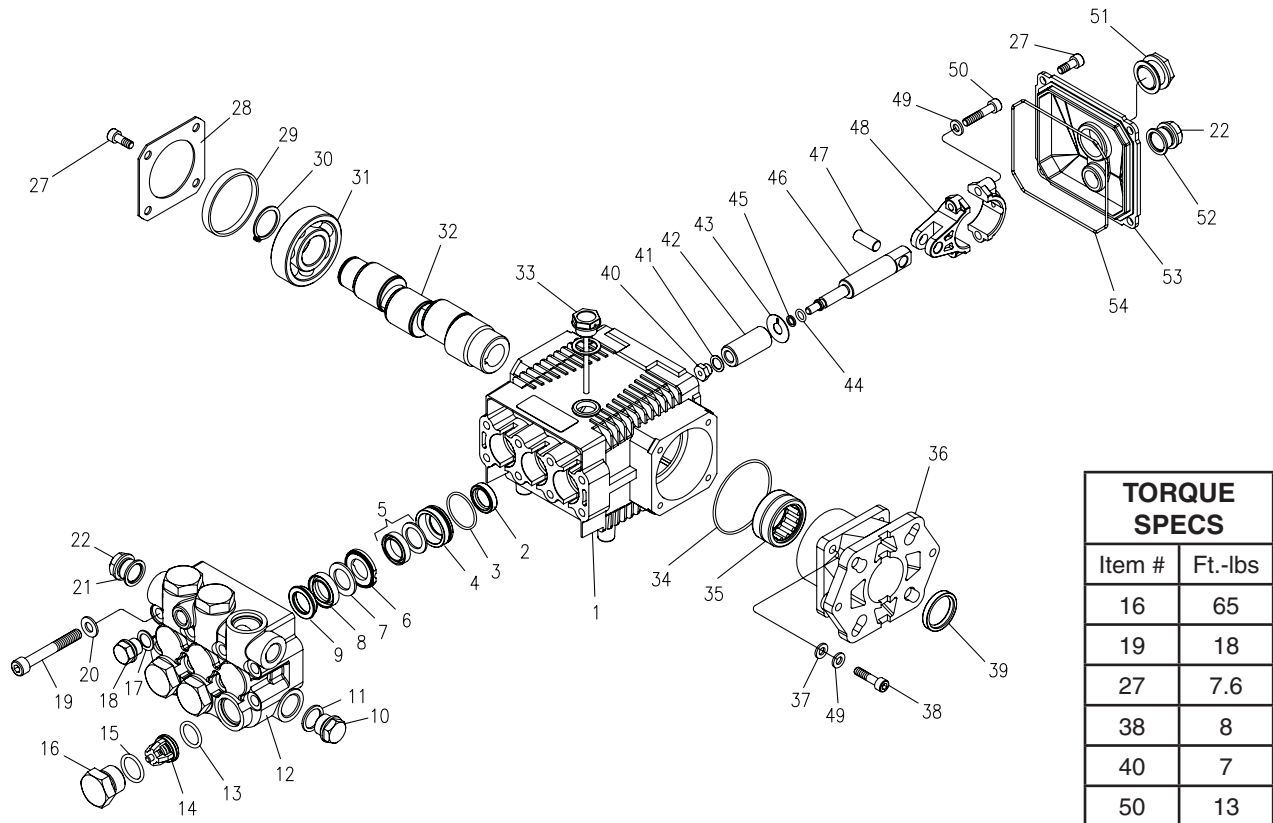


## VBA35 UNLOADER EXPLODED VIEW PARTS LIST

ITEM	PART #	DESCRIPTION	KIT	QTY	ITEM	PART #	DESCRIPTION	KIT	QTY
1		Body Valve		1	16		Poppet	B	1
		Body Valve		1	17	9.802-893.0	Seal Washer 3/8		2
2		O-Ring	A, C	1	18	9.803-919.0	Banjo Bolt, 3/8" Solid Cap		1
3		Seat	C	1	19	9.803-920.0	Banjo Bolt 1/2 w 1/4" Pilot		1
4		Ball, Sub-assy	C	1	20	9.803-921.0	Seal Washer 1/2		2
5		O-Ring	A	1	21		Plate	C	1
6	9.803-907.0	Guide Bushing		1	22		Spring	C	1
7		Teflon Ring	A	1	23	8.933-021.0	Set Screw		1
8		O-Ring	A	2	24	9.803-925.0	Nut		1
9		O-Ring	A	1	25	9.803-926.0	Brass Handle		1
10	9.803-911.0	Connector		1					
11		Teflon Ring	A	1	<b>Kit A</b>	8.717-672.0	O-Ring Repair Kit		
12	70-120207	Stem	C	1	<b>Kit B</b>	8.717-673.0	Outlet Kit		
13	9.803-914.0	Connector, Female		1	<b>Kit C</b>	8.717-674.0	Stem Repair Kit		
14		O-Ring	A, B	1					
15		Spring	B	1					

# PUMP EXPLODED VIEW

8.904-816.0 SG2530G.1



TORQUE SPECS	
Item #	Ft.-lbs
16	65
19	18
27	7.6
38	8
40	7
50	13

## PUMP EXPLODED VIEW PARTS LIST

ITEM	PART NO.	DESCRIPTION	QTY
1	9.803-938.0	Crankcase	1
2*	See Kit	Plunger Oil Seal	3
3*	See Kit	O-Ring Ø1.78 x 28.30	3
4*	See Kit	Pressure Ring, 15mm	3
5*	See Kit	U-Seal, 15mm	3
6*	See Kit	Intermediate Ring 15mm	3
7*	See Kit	Backup Ring 15mm	3
8*	See Kit	U-Seal, 15mm	3
9*	See Kit	Support Ring, 15mm	3
10	9.802-926.0	Brass Plug, 1/2"	1
11	9.803-199.0	Copper Washer 1/2"	1
12	9.803-946.0	Manifold Housing	1
13*	9.803-947.0	O-Ring Ø1.78 x 15.54	6
14*	See Kit	Valve Assembly	6
15*	9.803-948.0	O-Ring Ø2.62 x 18.77	6
16	9.803-949.0	Valve Plug	6
17	9.803-950.0	Washer, Copper	1
18	9.803-951.0	Brass Plug G1/4	1

ITEM	PART NO.	DESCRIPTION	QTY
19	9.803-952.0	Manifold Stud Bolt	8
20	9.802-884.0	Washer	8
21	9.803-198.0	Copper Washer 3/8"	1
22	9.802-925.0	Brass Plug 3/8"	2
27	9.802-939.0	Hexagonal Screw	9
28	9.803-953.0	Bearing Cover	1
29	9.803-954.0	Seal Bearing	1
30	9.802-914.0	Snap Ring	1
31	9.803-955.0	Ball Bearing	1
32	8.717-069.0	Crankshaft (2530G)	1
	8.717-070.0	Crankshaft (3030G)	1
33	9.803-957.0	Oil Dip Stick	1
34	9.804-581.0	O-Ring 3.53 x 55.56	1
35	9.804-582.0	Needle Roller Bearing	1
36	8.717-212.0	Engine Flange	1
37	9.803-210.0	Spring Washer	4
38	9.804-584.0	Flange Screw	4

## LG PUMP EXPLODED VIEW

ITEM	PART NO.	DESCRIPTION	QTY
39	9.804-585.0	Crankshaft Seal	1
40*	See Kit	Plunger Nut	3
41*	See Kit	Copper Spacer	3
42*	See Kit	Plunger, 15mm	3
43*	See Kit	Copper Spacer	3
44*	See Kit	O-Ring Ø1.78x5.28	3
45*	See Kit	Teflon Ring	3
46	9.803-964.0	Plunger Rod	3
47	9.803-965.0	Connecting Rod Pin	3
45	9.803-966.0	Connecting Rod	3
49	9.803-218.0	Spring Washer	6
50	8.933-020.0	Connecting Rod Screw	6
54	9.803-969.0	O-Ring 2.62 x 107.62	1
53	9.803-968.0	Crankcase Cover	1
52	9.803-197.0	Gasket, G3/4	1
51	9.803-202.0	Sightglass G3/4	1

\* Part available in kit (See below)

REPAIR KIT NUMBER	8.725-354.0	8.725-355.0	9.803-934.0	9.803-936.0	9.803-937.0
KIT DESCRIPTION	Plunger Seal 15mm	Complete Seal Packing 15mm	Plunger 15mm	Complete Valve	Plunger Oil Seals
ITEM NUMBERS INCLUDED	3, 5, 7, 8, 9	3, 4, 5, 6, 7, 8, 9	40, 41, 42, 43, 44, 45	13, 14, 15	2
NUMBER OF CYLINDERS KIT WILL SERVICE	3	1	1	6	3