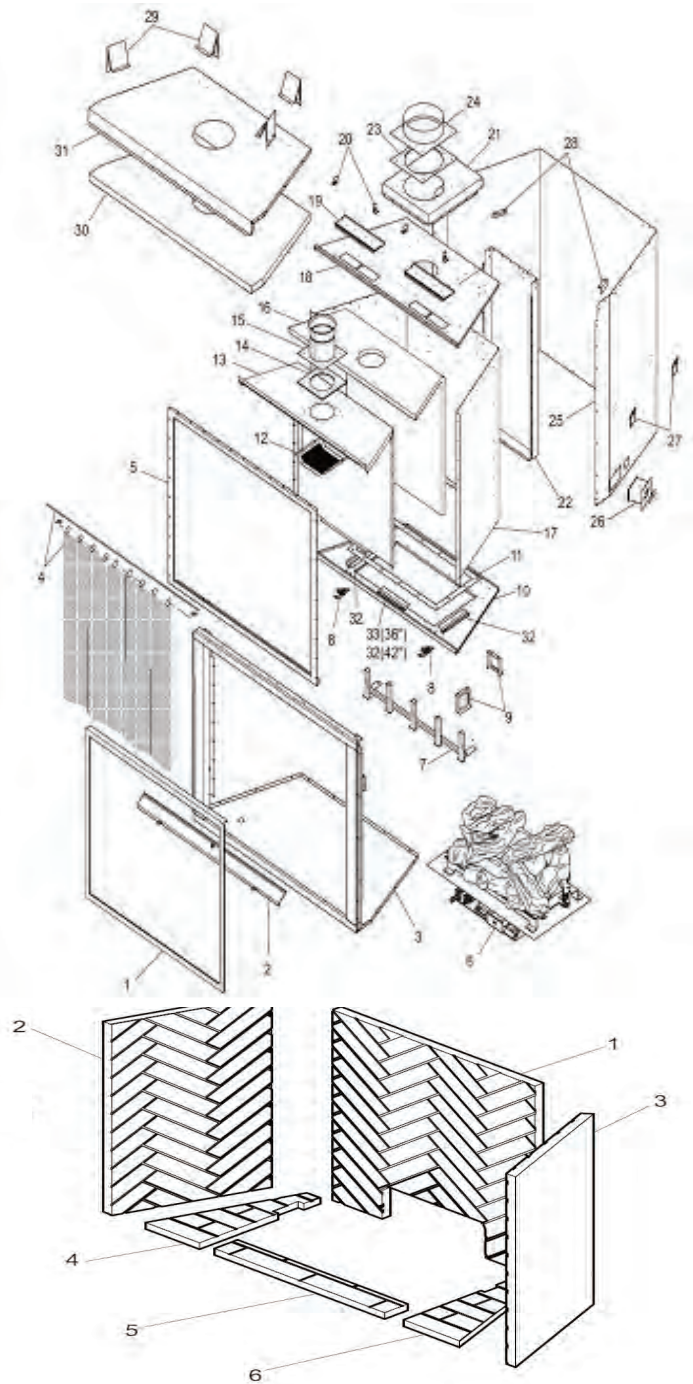


FMI Sentinel 36" and 42" Direct Vent Firebox

MODELS: DVF36NS, DVF36PS, DVF36NH, DVF36PH, DVF42NS, DVF42PS, DVF42NH, DVF42PH

	Part Number	Description
1	122653-01	Door Assembly, 36"
	122653-02	Door Assembly, 42"
2	122950-02	Bottom Door Assembly, 36"
	122950-01	Bottom Door Assembly, 42"
3	**	Face Assembly, 36"
	**	Face Assembly, 42"
4	122952-02	Screen Door Kit, 36"
	122952-01	Screen Door Kit, 42"
5	**	Firebox Face
6	122842-03	Hearth Assembly, 36" NG
	122842-04	Hearth Assembly, 36" LP
	122842-01	Hearth Assembly, 42" NG
	122842-02	Hearth Assembly, 42" LP
	123781-01	Hearth Assembly, 36" NG, HA
	123781-02	Hearth Assembly, 42" NG, HA
7	123210-01	Grate, 36"
	123210-02	Grate, 42"
8	122652-01	Door Latch
9	**	Firebox Leg
10	**	Firebox Bottom
11	121431-01	Gasket, 36"
	111913-02	Gasket, 42"
12	122919-01	Draft Diverter
13	**	Air Exchange
14	**	5" Gasket
15	**	5" Inner Connector
16	**	A/E Insulation
17	**	Firebox Surround
18	**	Firebox Top
19	**	Relief Assembly
20	**	Relief Bracket
21	**	Top Plenum
22	**	Rear Plenum
23	**	5" Gasket
24	**	Connector, 8" x 3.25"
25	**	36" Fireplace Surround
	**	42" Fireplace Surround
26	110037-01	Electrical Duct Assembly
27	117891-01	Fireplace Handle
28	120520-01	Refractory Retainer
29	20280	Top Spacer
30	**	Top Insulation
31	**	Fireplace Top
32	**	Hearth Side Spacer
33	**	Hearth Front Spacer
REFRACTORY LINERS		
1	125124-02	Rear Refractory, Herringbone 42"
	125088-02	Rear Refractory, Herringbone 36"
	125123-02	Rear Refractory, Stacked 42"
	125087-02	Rear Refractory, Stacked 36"
2	125126-02	Left Refractory, Herringbone 42"
	125090-02	Left Refractory, Herringbone 36"
	125123-02	Left Refractory, Stacked 42"
	125089-02	Left Refractory, Stacked 36"



	Part No.	Description
3	125128-02	Right Refractory, Herringbone 42"
	125092-02	Right Refractory, Herringbone 36"
	125127-02	Right Refractory, Stacked 42"
	125091-02	Right Refractory, Stacked 36"
4	125129-02	Left Front Refractory 42"
	125093-02	Left Front Refractory 36"
5	125131-02	Center Front Refractory 42"
	125095-02	Center Front Refractory 36"
6	125130-02	Right Front Refractory 42"
	125094-02	Right Front Refractory 36"

FMI Sentinel 36" and 42" Direct Vent Burner Assembly

MODELS: DVF36NS, DVF36PS, DVF36NH, DVF36PH, DVF42NS, DVF42PS, DVF42NH, DVF42PH

Part Number	Description
1	122839-02 Burner Tube, 36" 122839-01 Burner Tube, 42"
2	** Front Burner Assembly
3	112371-15 Rear Orifice, #47 NG 36" 23100 Rear Orifice, #56LP 36" 23101 Rear Orifice, #44 NG 42" 23567 Rear Orifice, #55 LP 42"
4	11214 Bulkhead Fitting
5	116573-01 Washer, Flt 7/8"x11/4" OD
6	** Log/Burner Base
7	122122-01 Pilot, NG 122122-02 Pilot, Propane/LP 123783-01 Pilot, NG High Altitude
8	** Pilot Shield
9	14296 Elbow, Street 3/8"
10	112371-15 Front Orifice, #47 NG 36" 23100 Front Orifice, #56 LP 36" 24771 Front Orifice, #42 NG 42" 23100 Front Orifice, #56 LP 42"
11	** Base
12	114027-01 Grommet SC 1/2" ID 1 1/16" OD
13	14399 90° Elbow,
14	111817-06 Flextube Dormont, 3/8" Dia. x 11"
15	111817-09 Flextube Dormont, 3/8" Dia. x 24"
16	** Pilot Bracket
17	122116-01 Dexen Valve, NG 122117-01 Dexen Valve, LP 123782-01 Dexen Valve, NG High Alt. 3.8"
18	112823-01 Brass T-Fitting 3/8"
19	122118-01 Control Module
20	122119-01 Battery Relay
21	122121-01 Battery Pack
22	122860-01 Valve Bracket
23	120066-01 Remote Receiver
24	123282-01 Log Assembly, 36" 123185-01 Log Assembly, 42"
25	123560-01 Base Valve
PARTS AVAILABLE NOT SHOWN	
122120-01	Wire Harness Relay
122123-01	AC Adapter 3V
112799-01	Ember Flakes Kit
26839	Rockwool
GA6060	Lave Rock Kit
VTA-LS5-2	Log Scrap Kit
120065-01	Hand-Held Remote Transmitter
14253	30" Flex Line

