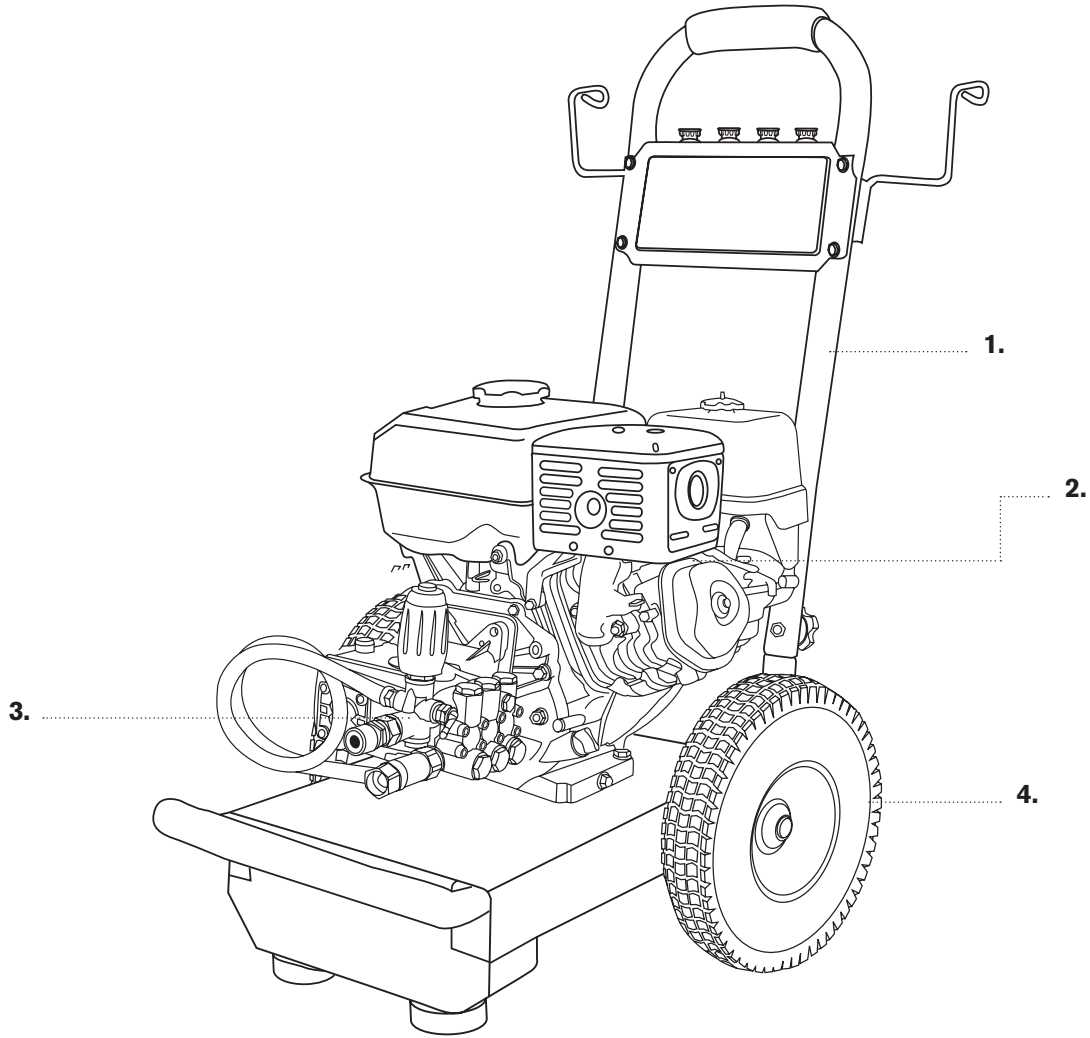


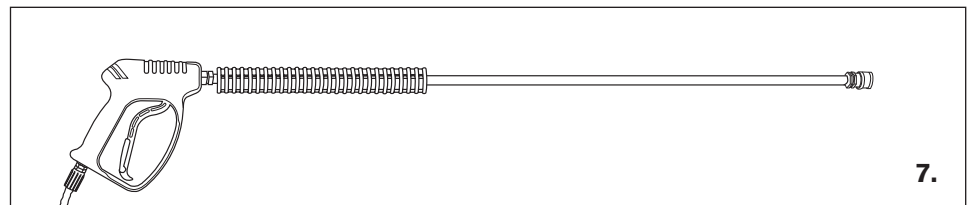
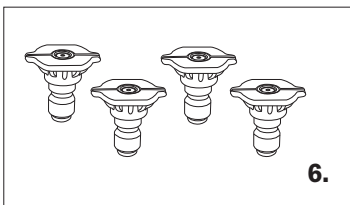
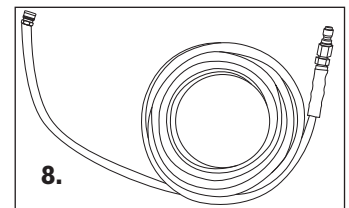
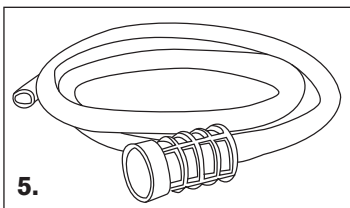


PRESSURE WASHER BREAKDOWN

B4013HECS



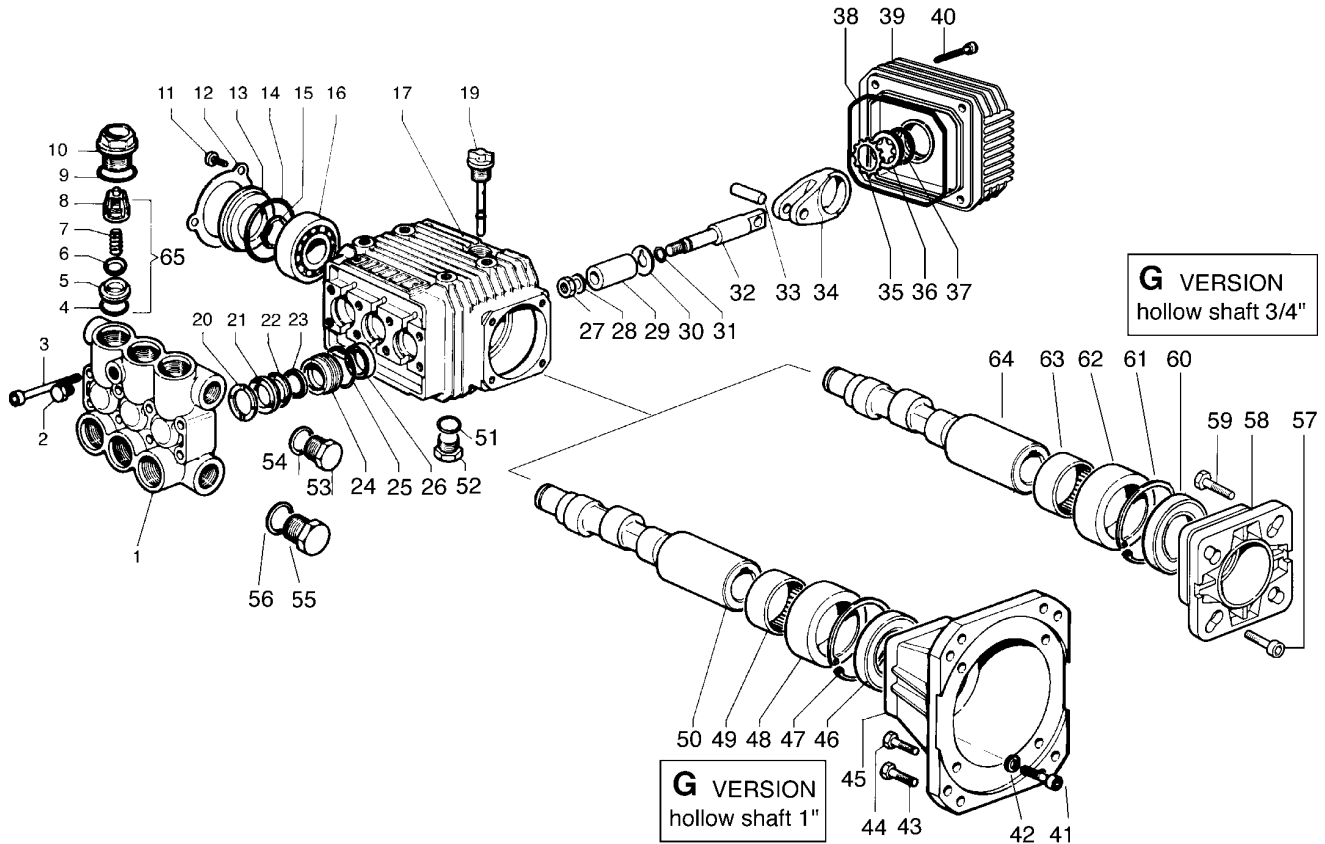
REF #	DESCRIPTION	PART #
1	Frame (included)	85.600.125
2	Engine - Honda GX390	85.510.131
3	Pump - ZWD4040G	85.149.022A
4	Wheels	85.660.050BF
5	Soap Hose	85.400.005
6	Nozzle Set	85.210.035
7	Gun & Wand	85.205.055
8	Hose 50' x 3/8"	85.228.153





PRESSURE WASHER BREAKDOWN

B4013HECS



POS. ITEM	CODICE PART No.	KIT KIT	DESCRIZIONE DESCRIPTION	Q.tà Qty.	MODELLI MODELS
1	3218.0126.00		MANIFOLD Ø 15 BRASS	1	2530 G - 3030 G 3522 G - 3525 G 3530 G - 4020 G 4030 G
	3218.0127.00		MANIFOLD Ø 15 BRASS	1	3540 G - 4040 G
2	3202.0018.00		CAP G1/8	1	
3	3609.0152.00		SCREW M6X55	8	2530 G - 3030 G 3522 G - 3525 G 3530 G - 4020 G 4030 G
	3609.0156.00		SCREW M8X55	8	3540 G - 4040 G
4	1210.0046.00	A-D	O-RING 2,62X 17,13 mm	6	
5	3009.0087.00	A	VALVE SEAT	6	
6	3604.0017.00	A	VALVE PLATE	6	
7	1802.0177.00	A	SPRING	6	
8	1205.0025.00	A	VALVE GUIDE	6	
9	1210.0048.00	A-D	O-RING 2,62X 20,24 mm	6	
10	3202.0239.00		CAP	6	
11	3609.0088.00		SCREW M5X10	3	
12	1004.0012.00		CRANKCASE COVER	1	
13	0402.0172.00		SPACER	1	
14	1210.0386.00	D	O-RING 3,53X44,04 mm	1	
15	3019.0011.00		SNAP RING	1	
16	0438.0069.00		BALL BEARING 20X52X15 mm	1	
17	0403.0128.00		CRANKCASE	1	2530 G - 3030 G 3522 G - 3525 G 3530 G - 4020 G 4030 G
	0403.0141.00		CRANKCASE	1	3540 G - 4040 G
19	3200.0051.00		OIL DIPSTICK	1	

POS. ITEM	CODICE PART No.	KIT KIT	DESCRIZIONE DESCRIPTION	Q.tà Qty.	MODELLI MODELS
20	0009.0196.00	B	HEAD RING Ø15 mm	3	
21	1241.0034.00	B	PACKING Ø15 mm	3	
22	0009.0223.00	B	RING Ø 15 mm	3	
23	1241.0030.00	B	PACKING 15X22X5,5 mm	3	
24	0009.0222.00		RING Ø15 mm	3	
25	1210.0223.00	B	O-RING 1,78X26,7 mm	3	
26	0019.0095.00	D	OIL SEAL15X24X5 mm	3	
27	0600.0048.00	C	NUT	3	
28	2811.0080.00	C	WASHER 8,2X14X1,5 mm	3	
29	0202.0020.00	C	PISTON Ø15 mm	3	
30	2812.0038.00	C	WASHER	3	
31	1210.0055.00	C-D	O-RING 1,78X 6,07 mm	3	
32	2409.0044.00		PISTON GUIDES	3	
33	3011.0014.00		WRIST. PIN	3	
34	0205.0050.00		CON. ROD	3	
35	3019.0033.00		SNAP RING Ø18 mm	1	
36	3201.0012.00		OIL INDICATOR	1	
37	1210.0333.00	D	O-RING 1,78X23,52 mm	1	
38	1210.0206.00	D	O-RING 2,62X101,27 mm	1	
39	0402.0220.00		CRANKCASE COVER	1	
40	3609.0041.00		SCREW M6X25	4	
51	1210.0441.00	D	O-RING2X14 mm	1	
52	3200.0007.00		CAP 3/8 GAS OT 58	1	
53	3200.0007.00		CAP 3/8 GAS OT 58	1	
54	2811.0084.00		WASHER 16,7x22x1,5 mm	1	
55	3202.0015.00		CAP G 1/2	1	
56	2811.0086.00		WASHER 21,2X27X1,5 mm	1	
65	1220.0030.00		VALVE ASS. BLY.	6	



PRESSURE WASHER BREAKDOWN

B4013HECS

G version (albero femmina / hollow shaft 1")

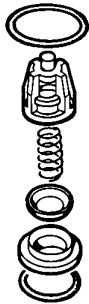
G version (albero femmina / hollow shaft 3/4")
solo / only : 2530 G

POS. ITEM	CODICE PART No.	KIT KIT	DESCRIZIONE DESCRIPTION	Q.tà Qty.	MODELLI MODELS
41	3609.0032.00		SCREW M6X20	4	
42	2811.0023.00		WASHER 6,6X18X2 mm	4	
43	3607.0168.00		SCREW 3/8" 16x1"	4	
44	3607.0119.00		SCREW 5/16" 24x 1"	4	
45	3016.0023.00		FLANGE 1"	1	
46	0019.0102.00	D	OIL SEAL 40X62X7 mm	1	
47	3020.0012.00		SNAP RING C 72	1	
48	0204.0038.00		BUSHING	1	
49	0437.0045.00		ROLLER 40X47X16 mm	1	
50	0001.0386.00		CRANKSHAFT 1"	1	3522 G - 3525 G 3530 G - 3540 G
	0001.0387.00		CRANKSHAFT 1"	1	4020 G - 4030 G 4040 G
	0001.0398.00		CRANKSHAFT 1"	1	3030 G

POS. ITEM	CODICE PART No.	KIT KIT	DESCRIZIONE DESCRIPTION	Q.tà Qty.	MODELLI MODELS
57	3609.0032.00		SCREW M6X20	4	
58	3016.0012.00		FLANGE 3/4"	1	
59	3607.0199.00		SCREW 5/16" 24X3/4"	4	
60	0019.0102.00	D	OIL SEAL 40X62X7 mm	1	
61	3020.0012.00		SNAP RING C 72	1	
62	0204.0038.00		BUSHING	1	
63	0437.0045.00		ROLLER 40X47X16 mm	1	
64	0001.0399.00		CRANKSHAFT 3/4"	1	

**KIT VALVOLA ASP-MAND.
COMPLETE VALVE KIT**
5025.0011.00

KIT A

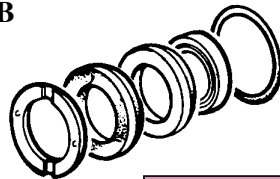


5025.0011.00

POS. ITEM	CODICE PART No.	Q.tà Qty.
4	1210.0046.00	6
5	3009.0087.00	6
6	3604.0017.00	6
7	1802.0177.00	6
8	1205.0025.00	6
9	1210.0048.00	6

KIT GUARNIZIONI PISTONE / PISTON SEAL KIT
Ø 15 mm 5019.0064.00

KIT B

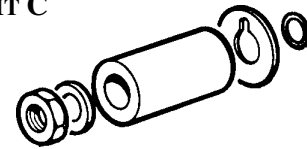


5019.0064.00

POS. ITEM	CODICE PART No.	Q.tà Qty.
20	0009.0196.00	3
21	1241.0034.00	3
22	0009.0223.00	3
23	1241.0030.00	3
25	1210.0223.00	3

KIT PISTONE / PISTON KIT
Ø 15 mm 2409.0071.00

KIT C

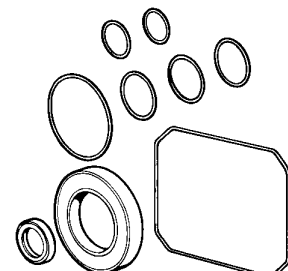


2409.0071.00

POS. ITEM	CODICE PART No.	Q.tà Qty.
27	0600.0048.00	3
28	2811.0080.00	3
29	0202.0020.00	3
30	2812.0038.00	3
31	1210.0055.00	3

KIT GUARNIZIONI POMPA / SEAL KIT
ALBERO FEMMINA / HOLLOW SHAFT 5019.0065.00

KIT D



5019.0065.00

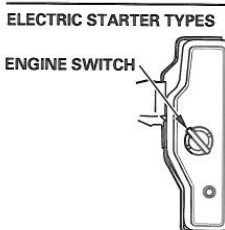
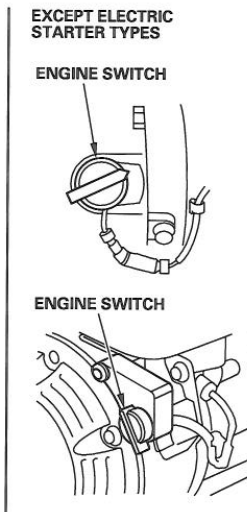
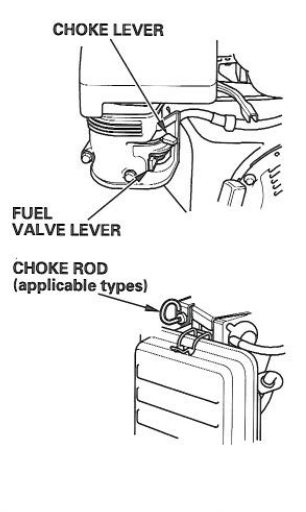
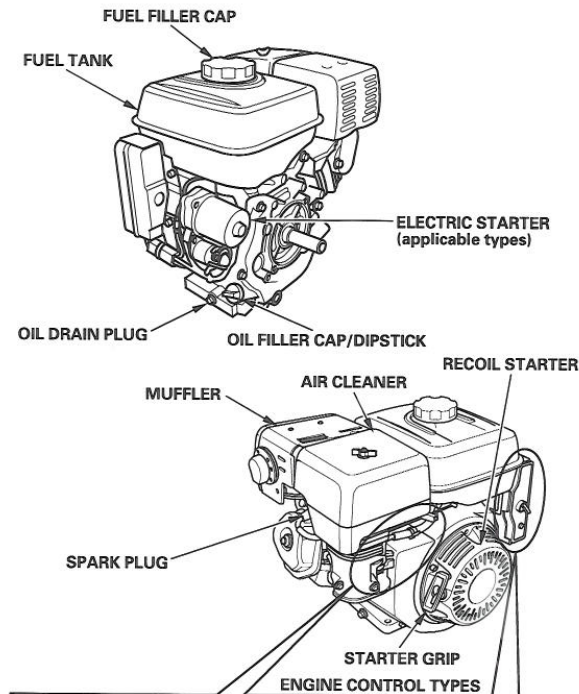
POS. ITEM	CODICE PART No.	Q.tà Qty.
4	1210.0046.00	6
9	1210.0048.00	6
14	1210.0386.00	1
25	1210.0223.00	3
26	0019.0095.00	3
31	1210.0055.00	3
37	1210.0333.00	1
38	1210.0206.00	1
46-60	0019.0102.00	1
51	1210.0441.00	1



PRESSURE WASHER BREAKDOWN

B4013HECS

COMPONENT & CONTROL LOCATIONS



FEATURES

OIL ALERT® SYSTEM (applicable types)

"Oil Alert is a registered trademark in the United States"

The Oil Alert system is designed to prevent engine damage caused by an insufficient amount of oil in the crankcase. Before the oil level in the crankcase can fall below a safe limit, the Oil Alert system will automatically stop the engine (the engine switch will remain in the ON position).

If the engine stops and will not restart, check the engine oil level (see page 9) before troubleshooting in other areas.

CIRCUIT PROTECTOR (applicable types)

The circuit protector protects the battery charging circuit. A short circuit, or a battery connected with reverse polarity, will trip the circuit protector.

The green indicator inside the circuit protector will pop out to show that the circuit protector has switched off. If this occurs, determine the cause of the problem, and correct it before resetting the circuit protector.

Push the circuit protector button to reset.

