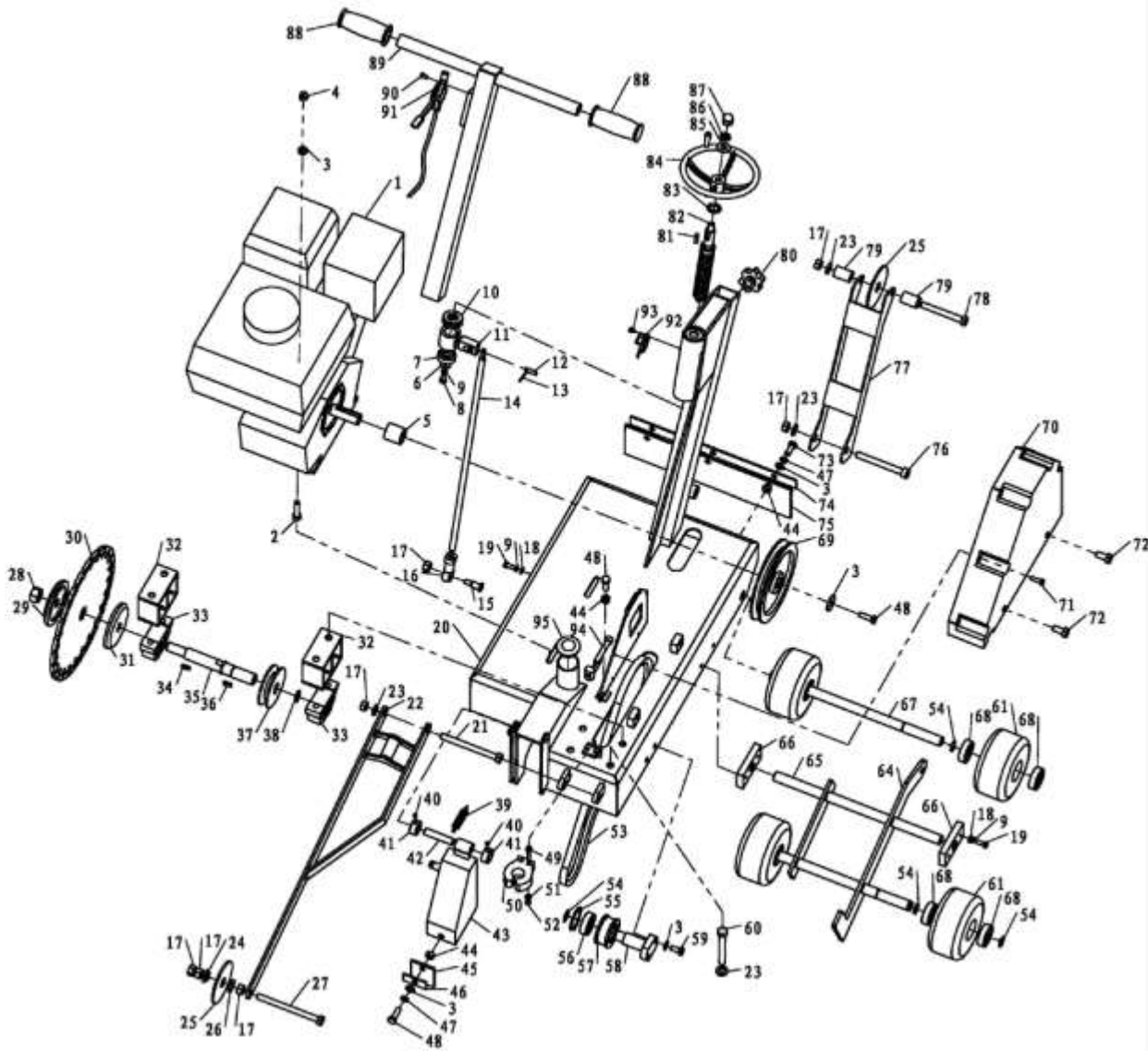


SG10 ASSEMBLY DIAGRAM



SG10 PARTS LIST – Page 1 of 3

Item #	Part #	Description	QTY.
1	-	Engine	1
2	GB/T70.10	Hex Head Cap Screw M8-1.25 x 40	4
3	GB/T97.10	Flat Washer M8	11
4	GB/T889.1	Locknut M8-1.25	4
5	MCS-240-46	Bushing	1
6	GB/T96	Washer M6	1
7	GB/T276-6201	Bearing	1
8	GB/T70.11	Socket Head Cap Screw M6-1.0 LH x 40	1
9	GB/T93	Spring Washer M6	5
10	GB/T301	Bearing	1
11	MCS-240-029-03-00	Rod Holder	1
12	MCS-240-029-04	Axle	1
13	GB/T91	Cotter Pin	1
14	MCS-240-029-02	Push Rod	1
15	MCS-240-016	Pin Roll	1
16	MCS-240-033	Connector	1
17	GB/T6170-0	Nut M10-1.5	5
18	GB/T97.11	Flat Washer M6	4
19	GB/T5783-0	Hex Head Cap Screw M6-1.0 x 16	4
20	MCS-240-00-B	Base Plate	1
21	GB/T5783-1	Hex Head Cap Screw M10-1.5 x 110	1
22	MCS-240-027-00	Pointer	1
23	GB/T97.12	Flat Washer M10	7
24	MCS-240-54	Locating Bushing LH	1
25	MCS-240-028	Pointer Wheel	2
26	MCS-240-55	Locating Bushing RH	1
27	GB/T5783-2	Hex Head Cap Screw M10-1.5 x 120	1
28	MCS-240-035	Blade Nut	1
29	MCS-240-023-02	Flange RH	1
30	BLADE250	Blade	1
31	MCS-240-023-01	Flange LH	1
32	MCS-240-20	Bracket	2
33	GB/T7813	Bearing Mount	2
34	GB/T1093-5X16	Key 5 SQ. x 16	1
35	MCS-240-022	Principal Shaft	1
36	GB/T1093-5x17	Key 5 SQ. x 17	1
37	MCS-240-021	Pulley	1
38	GB/T894-20	Retaining Ring	1

SG10 PARTS LIST – Page 2 of 3

Item #	Part #	Description	QTY.
39	MCS-240-036	Tension Spring	1
40	GB/T819.1	Set Screw M5-0.8 x 16	2
41	MCS-240-002	Locating Bushing	2
42	MCS-240-025	Shaft	1
43	MCS-240-024	Wheel Guard	1
44	GB/T6170-1	Nut M8-1.0	5
45	MCS-240-040	Mudguard	1
46	MCS-240-052	Pressure Plate	1
47	GB/T93	Spring Washer M8	4
48	GB/T5783-3	Hex Head Cap Screw M8-1.25 x 25	3
49	GB/T70.12	Hex Head Cap Screw M5-0.8 x 30	2
50	PCTY.31	Fixture Block	1
51	GB/T97.13	Flat Washer M5	2
52	GB/T6170-2	Nut M5-0.8	2
53S	11879	Belt, Gates XPA967 (for Subaru Model)	1
53K	20776	Belt, Gates XPA907 (for Kholer Model)	1
54	GB/T894-17	Retaining Ring 17	7
55	GB/T894-40	Retaining Ring 40	1
56	GB/T276-6203-1	Bearing	1
57	MCS-240-043-02	Tensioner	1
58	MCS-240-043-01	Tensioner Shaft	1
59	GB/T5783-4	Hex Head Cap Screw M8-1.25 x 16	2
60	GB/T5783-5	Hex Head Shoulder Bolt M10-1.5 x 90	4
61	MCS-240-044	Castor Wheel	4
62	MCS-240-019-01	Shaft	1
63	MCS-240-034	Fixing Plate	1
64	MCS-240-017	Pole	1
65	MCS-240-019-02	Axle	2
66	MCS-240-018	Axle Support	2
67	MCS-240-019-03	Axle	1
68	GB/T276-6203-0	Bearing	8
69S	MCS-240-045	Pulley (6" O.D) (for Subaru Model)	1
69K	50727	Pulley (4.5" O.D) (for Kholer Model)	1
70	MCS-240-042	Belt Guard	1
72	GB/T5783-6	Hex Head Cap Screw M10-1.5 x 20	2
73	GB/T5784	Hex Head Cap Screw M8-1.25 x 20	3
74	MCS-240-053	Pressure Plate	1
75	MCS-240-041	Mudguard	1
76	GB/T70.13	Hex Head Cap Screw M10-1.5 x 90	1

SG10 PARTS LIST – Page 3 of 3

Item #	Part #	Description	QTY.
77	MCS-240-032	Support	1
78	GB/T5783-7	Hex Head Cap Screw M10-1.5 x 80	1
79	MCS-240-031	Sleeve	2
80	JB3717.22-Z64-7	Knob M10-1.5	1
81	GB/T1093-5X20	Key 5 Sq. x 20	1
82	MCS-240-029-01	Screw Rod	1
83	MCS-240-029-05	Gasket	1
84	JBT7273.5	Hand Wheel	1
85	MCS-240-029-06	Gasket	1
86	GB/T6172.1	Hex Nut M10-1.5	1
87	GB/T923	Hex Acorn Nut M10-1.5	1
88	MG12-0731	Handle Grip	2
89	MCS-240-030-00	Handle Pipe	1
90	GB/T820	OHMS, Phillips, M5-1.0 x 14	1
91S	PCTY.18	Throttle Cable Asm (For Subaru Model)	1
91K	95005	Throttle Cable Asm (For Kholer Model)	1
92	50062	On-Off Switch	1
93	GB/T70.14	PHPS M4-0.7 x 6	2
94	GB/T5783-8	HHCS M8-1.25 x 50	1
95	MCS-240-037	Plug	1