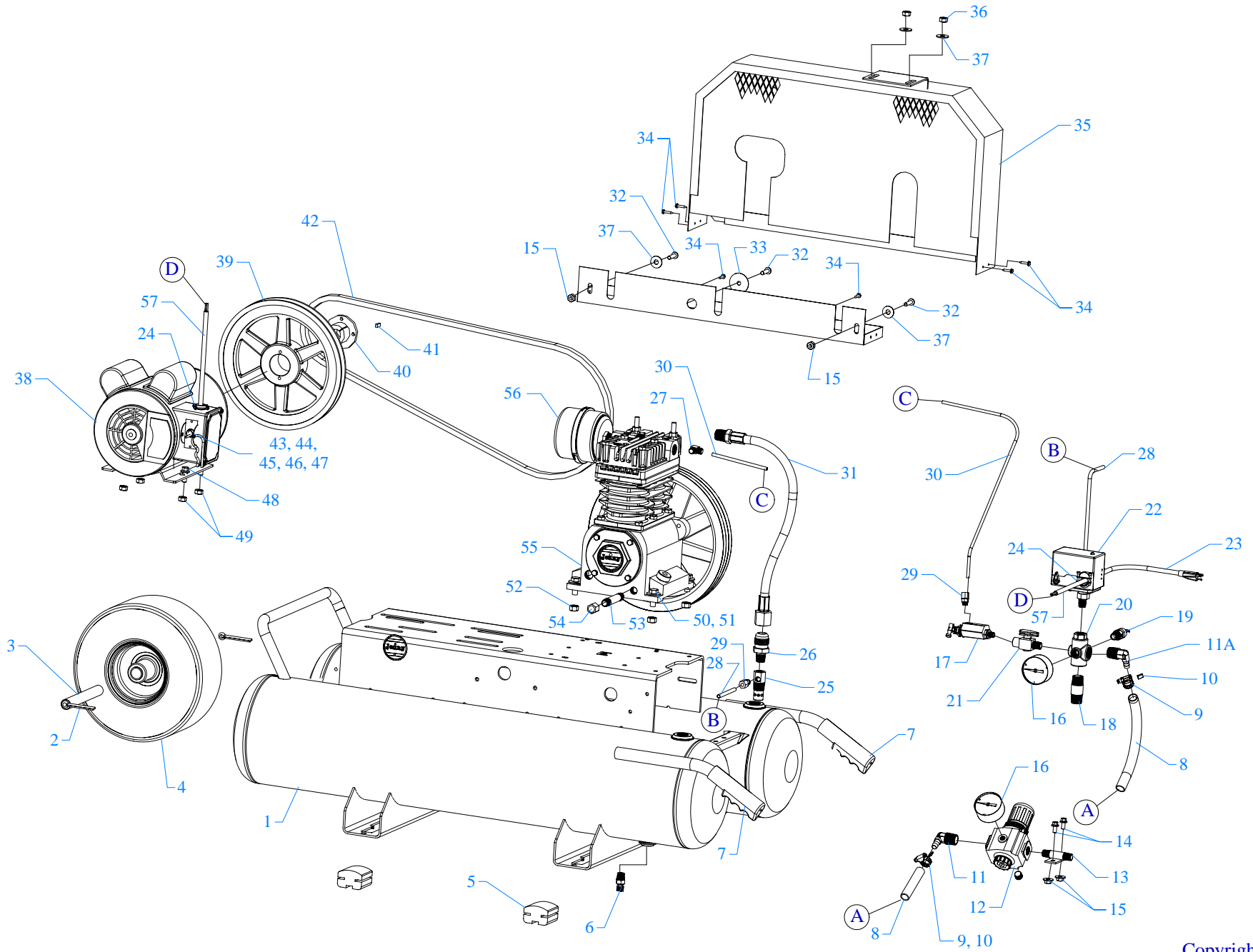


MODELS K2A - 15P WITH DCS-DVS



Parts List for Model K2A-15P With DCS & DVS

NOTE: The quantity number indicates the total number of pieces required for a complete pump repair.
When ordering parts give compressor model, serial number and part number. Order assemblies when possible.

| <u>REF. NO.</u> | <u>PART NO.</u> | <u>DESCRIPTION</u> | <u>QTY.</u> |
|-----------------|-----------------|---|-------------|
| 1 | 411-1184 | TANK,PORTBL,15G,NON,F&K&GE,RPLMT | 1 |
| 2 | 120-1286 | PIN,COTTER,PLATED,3/16 DIA X 2 LONG | 2 |
| 3 | 150-1218 | AXLE,STEEL,PLATED,8P,5/8" DIA X 5" LONG | 1 |
| 4 | 150-1249 | WHEEL,PNEUM,13/500X6,4CNTRD,BRNG,5/8" ID | 1 |
| 5 | 104-1249 | PAD,RUBBER,40D,11GA,1-1/4 X 1-7/8 X 2-1/2,WP | 4 |
| 6 | 141-1058 | DRAIN,PETCOCK,BRASS,1/4" NPTM,DC14 | 2 |
| 7 | 104-1072 | GRIP,HANDLE,RUBBER,YELLOW,7/8",STERILE | 2 |
| 8 | 104-1001 | HOSE,AIR,200 PSI,3/8" ID X 18" LONG | 1 |
| 9 | 104-1075 | CAP,COVER,PLASTIC,RED,0.40 X 1/4" X 3/8" | 2 |
| 10 | 120-1173 | CLAMP,HOSE,GEAR,WORM,SS,5/16" TO 7/8" | 2 |
| 11 | 121-1145 | BARB,HOSE,ELBOW,MALE,BRASS,3/8 H X 3/8 NPTM | 1 |
| 11A | 121-1143 | BARB,HOSE,ELBOW,MALE,BRASS,3/8 H X 1/2 NPTM | 1 |
| 12 | 160-1001 | REGULATOR,PRESSURE,AIR,3/8" NPT | 1 |
| 12A | 360-1109 | REGULATOR,PRESSURE,AIR,W/PG14,3/8" N,R38 INCLUDES 12,16,3/8 PLUG | 1 |
| 13 | 150-1083 | BRACKET,REGULATOR,STEEL,PLATED,3/8",BR | 1 |
| 13A | 320-1029 | BRACKET,REGULATOR,W/HARDWARE,ASSY,BR INCLUDES 13,14,15 | 1 |
| 14 | 120-1243 | SCREW,FLANGE,HEX,SERR,ST,PL,1/4-20 X 1/2 | 2 |
| 15 | 120-1116 | NUT,LOCK,FLANGE,HEX,SERR,ST,PLTD,1/4-20 | 4 |
| 16 | 142-1000 | GAUGE,PSI,200#,BK MT,JENNY,2",1/4 NPT,PG2 | 2 |
| 17 | 141-1047 | VALVE,PILOT,W/HAND UNLOADER,125PSI,1/4" M | 1 |
| 18 | 122-1145 | NIPPLE,STEEL,SCH 80,PLTD,1/2" X 1-1/2" L | 1 |
| 19 | 141-1004 | VALVE,SAFETY,ASME,1/4",165 PSI,54 SCFM | 1 |

Parts List for Model K2A-15P With DCS & DVS

NOTE: The quantity number indicates the total number of pieces required for a complete pump repair.
When ordering parts give compressor model, serial number and part number. Order assemblies when possible.

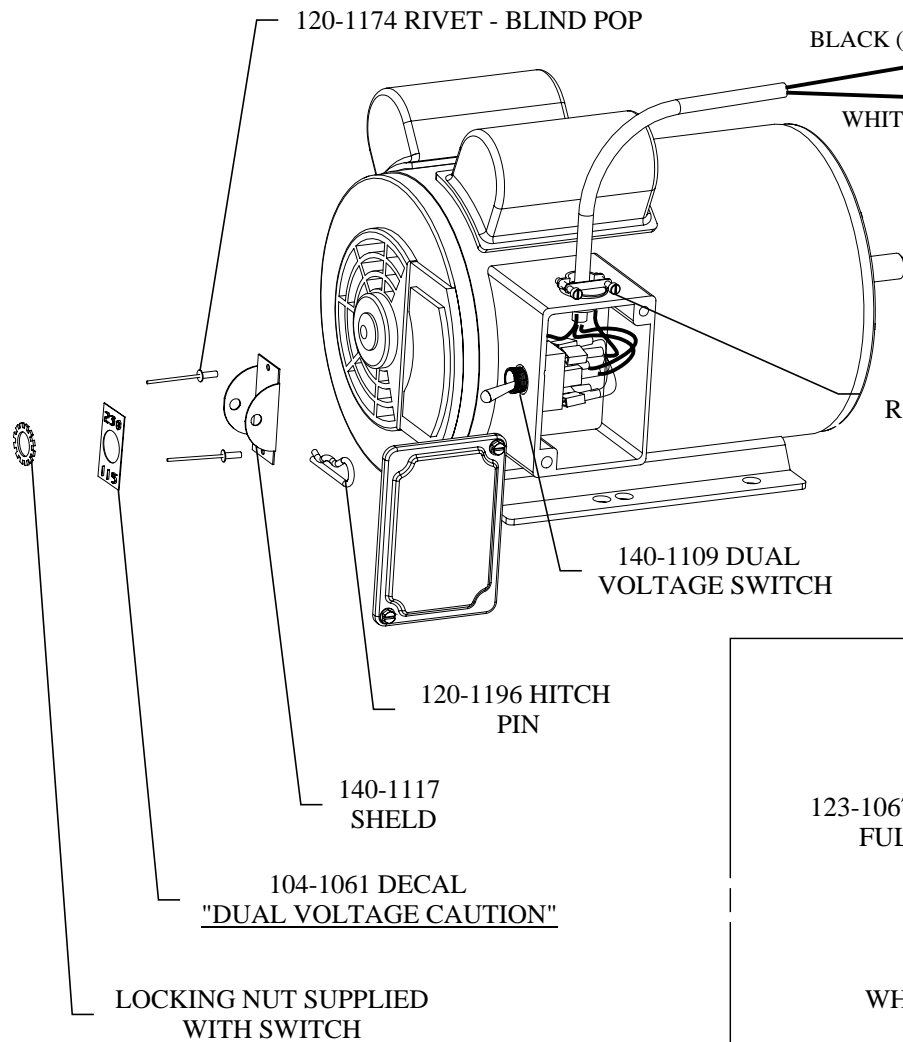
| <u>REF. NO.</u> | <u>PART NO.</u> | <u>DESCRIPTION</u> | <u>QTY.</u> |
|-----------------|-----------------|--|-------------|
| 20 | 220-1122 | BLOCK,MANIFOLD,ZINC,6 HOLE,TAPPED,MC-6 | 1 |
| 21 | 141-1077 | VALVE,BALL,LEVER,1/4 TURN,1/4"M X 1/4"F | 1 |
| 22 | 140-1074-01 | SWITCH,PSI,2HP,100-125#,UNLDR&LVR,PBVL | 1 |
| 23 | 123-1025 | CORD,DROP,SJOW,6-20PLUG,20A,12/3,6 FT | 1 |
| 24 | 123-1029 | CONNECTOR,ROMEX,CLAMP,STRAIGHT,3/8" | 3 |
| 25 | 141-1034 | VALVE,CHECK,INSERT,1/2"M X3/8"F,W/1/8"PT | 1 |
| 26 | 121-1007 | CONNECTOR,MALE,BRASS,5/8-45SAEX3/8"NPTM | 1 |
| 27 | 121-1032 | ELBOW,MALE,COMPRESSION,BR,1/4TBX1/8"NPTM | 1 |
| 28 | 610-1086 | TUBING,COPPER,PRE-CUT,1/4"X17-1/4"LONG | 1 |
| 29 | 121-1025 | CONNECTOR,MALE,COMPRESSION,BR,1/4TBX1/8" | 2 |
| 30 | 610-1086 | TUBE,CONTROL,COPPER,W/SLEEVE,1/4"X22"LG | 1 |
| 31 | 360-1392 | AFTERCOOLER,HOSE,SS,TEFLON,5/8"ODX19"L | 1 |
| 32 | 120-1267 | SCREW,PAN HD,PHIL,STEEL,PLTD,1/4-20 X 1" | 3 |
| 33 | 120-1072 | WASHER,FENDER,ST,PLATED,1/4"X1-1/2"OD | 1 |
| 34 | 120-1177 | SCREW,SELF DRILL,HEX,ST,PL,12 X 3/4 | 6 |
| 35 | 320-1177 | BELTGUARD,F&K,W/PAN,3.4WX13.0HX23LG | 1 |
| 36 | 120-1119 | NUT,LOCK,FLANGE,HEX,SERR,ST,PLTD,5/16-18 | 2 |
| 37 | 120-1075 | WASHER,FLAT,STEEL,PLATED,5/16" | 4 |
| 38 | 130-1018-01 | MOTOR,2HP,115-230/60/1,W/DUAL VOLT SW | 1 |
| 39 | 154-1205 | PULLEY,CI,SG,TH,6.7PDA,AK71H "2 HP" | 1 |
| 40 | 154-1091 | BUSHING,PULLEY,TAPERED,H,7/8 "2 HP" | 1 |
| 41 | 120-1194 | KEY,STEEL,BLACK,1/4X1/4X1-1/2 | 1 |
| 42 | 154-4L490 | BELT,VEE,A47,4L-490 | 1 |

Parts List for Model K2A-15P With DCS & DVS

NOTE: The quantity number indicates the total number of pieces required for a complete pump repair.
When ordering parts give compressor model, serial number and part number. Order assemblies when possible.

| <u>REF. NO.</u> | <u>PART NO.</u> | <u>DESCRIPTION</u> | <u>QTY.</u> |
|-----------------|-----------------|--|-------------|
| 43 | 140-1109 | SWITCH,TOGGLE,DP,DT,30A,125V,HBL22SP | 1 |
| 44 | 140-1117 | GUARD,SWITCH,TOGGLE,STEEL,PLATED,15/32" | 1 |
| 45 | 104-1060 | DECAL,SWITCH,VOLTAGE,DUAL,115V/230V | 1 |
| 46 | 120-1196 | PIN,HITCH,STEEL,PLATED,#16 | 1 |
| 47 | 120-1174 | RIVET,POP,BLIND,CLSD END,1/8",.063-.125 | 2 |
| 48 | 120-1018 | SCREW,FLANGE,HEX,SERR,ST,PLD,5/16-18X3/4 | 4 |
| 49 | 120-1119 | NUT,LOCK,FLANGE,HEX,SERR,ST,PLTD,5/16-18 | 4 |
| 50 | 120-1009 | SCREW,CAP,HEXHD,GR5,ST,PLTD,1/4-20X1-1/4 | 4 |
| 51 | 120-1070 | WASHER,FLAT,STEEL,PLATED,SAE,1/4" | 4 |
| 52 | 120-1116 | NUT,LOCK,FLANGE,HEX,SERR,ST,PLTD,1/4-20 | 4 |
| 53 | 122-1032 | NIPPLE,STEEL,SCH 40,1/4" X 3" L | 1 |
| 54 | 122-1083 | CAP,HEX,STEEL,1/4"NPT | 1 |
| 55 | 421-1102 | PUMP,CMPSR,PISTON,REPLCMT,BLUE,KU | 1 |
| 56 | 320-1121 | FILTER,AIR,2PC,W/SILENCER&FILTER,G154 | 1 |
| 57 | 123-1113 | WIRE,SO,ASSY,12/3,34"LONG,W/TERMINALS | 1 |
| NOT SHOWN | 610-1225 | KIT,ELEMENT,FILTER,G54E,PKG OF 4,G54EP | 1 |
| NOT SHOWN | 105-1209 | OIL,PUMP,SYNTHETIC,BLUE,1 QUART,ESQ | 1 |

DUAL VOLTAGE SWITCH WIRING DIAGRAM FOR 1HP, 1.5HP, AND 2HP ONLY



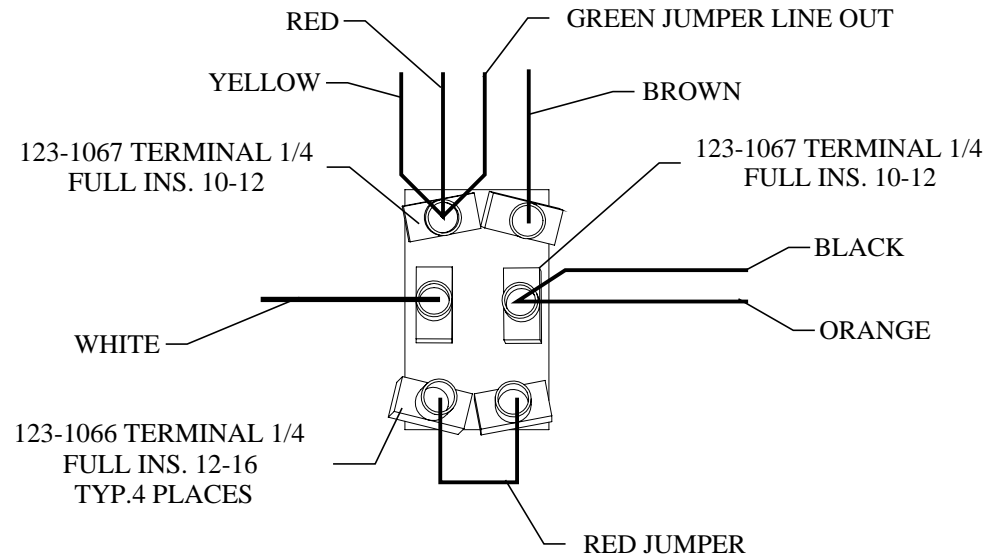
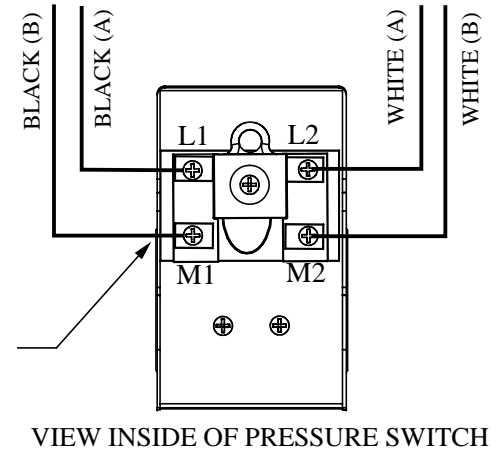
(A) AND (B) CONNECT WITH NO PRESSURE SWITCH



NOTE: (A) = POWER
(B) = MOTOR

123-1029 ROMEX CONNECTOR

WIRES CONNECT (A) TO (A) AND (B) TO (B) WITH PRESSURE SWITCH



VIEW BACK OF 140-1109 DUAL VOLTAGE SWITCH SHOWING WIRE CONNECTION FROM MOTOR



MODEL K & KU
 Two Cylinder Single Stage
 2-1/2" Bore X 2" Stroke

Parts List for Model K & KU Pump Assembly

NOTE: The quantity number indicates the total number of pieces required for a complete unit repair.
When ordering parts give compressor model, serial number and part number. Order assemblies when possible.

| <u>REF. NO.</u> | <u>PART NO.</u> | <u>DESCRIPTION</u> | <u>QTY.</u> |
|-----------------|-----------------|---|-------------|
| 1 | 120-1163 | PIN,ROLLED,COILED,STL,BLK,1/4ODX1L,K25 | 1 |
| 2 | 220-1093 | FLYWHEEL,K PUMP,CI,10-3/8,1 GROOVE,K23A | 1 |
| 2A | 220-1090 | FLYWHEEL,GT PUMP,CI,13-1/4,2 GROOVE,G23 (KC Pump) | 1 |
| 3 | 150-1036 | SEAL,OIL,LIP,SINGLE,0.875 DIA,K11E | 1 |
| 4 | 220-1009 | CRANKCASE,K PUMP,CI,W/SIGHT GLASS,K1 | 1 |
| 5 | 160-1076 | GAUGE,SIGHT,LEVEL,OIL,3/8"NPT,LO-M49 | 1 |
| 6 | 122-1083 | CAP,HEX,MI,1/4"NPT | 1 |
| 7 | 122-1032 | NIPPLE,STEEL,SCH 40,1/4" X 3" L | 1 |
| 8 | 220-1010 | CRANKSHAFT,K PUMP,CI,MACHINED,K20A | 1 |
| 9 | 150-1000 | BEARING,BALL,K9 | 2 |
| 10 | 220-1001 | CAP,BEARING,K PUMP,CI,MACHINED,K2 | 1 |
| 11 | 120-1004 | SCREW,CAP,HEXHD,GR5,ST,BLK,1/4-20X3/4 (10FT-LB) | 4 |
| 12 | 104-1000-01 | GASKET,CAP,BEARING,F&K&G PUMP,1/32THK,L3 | 1 |
| 13 | 104-1000-02 | GASKET,CAP,BEARING,F&K&G PUMP,1/64THK,L4 | 1 |
| 14 | 150-1011 | BEARING,ROD,CONNECTING,PUMP,F,K,G | 4 |
| 15 | 310-1001-02 | ROD,CONNECTING,WO/BRNG INSERT,L21L&L21K | 2 |
| 16 | 610-1029 | PLUG,CRANKCASE,FILL,OIL,W/O-RING,K14 | 1 |
| 17 | 104-1016 | RING,O,BUNA-N,5/8"IDX13/16"ODX3/32"THK | 1 |
| 18 | 120-1068 | WASHER,LOCK,SPLIT,ST,BLK,HIGH CLLR,1/4" | 4 |
| 19 | 120-1010 | SCREW,CAP,HEXHD,GR5,ST,BLK,1/4-20X1-1/4 10 FT-LB | 4 |
| 20 | 104-1103 | BUMPER,WRIST PIN,PLASTIC,K36A | 4 |
| 21 | 150-1005 | PIN,PISTON,STEEL,HARDENED,K35 | 2 |
| 22 | 220-1005 | PISTON,PUMP,ALUMINUM,MACHINED,K32 | 2 |

Parts List for Model K & KU Pump Assembly

NOTE: The quantity number indicates the total number of pieces required for a complete unit repair.
When ordering parts give compressor model, serial number and part number. Order assemblies when possible.

| <u>REF. NO.</u> | <u>PART NO.</u> | <u>DESCRIPTION</u> | <u>QTY.</u> |
|-----------------|-----------------|---|-------------|
| 23 | 610-1065 | KIT,RING,OIL,W/EXPANDER,ASSY,K34 | 2 |
| 24 | 150-1003 | RING,COMPRESSION,PISTON,STEEL,EBA 22,K33 | 4 |
| 25 | 220-1016 | HEAD,UNLOADING,G PUMP,CI,6HOLES,LU80 | 1 |
| 26 | 150-1020 | SPRING,VALVE,UNLOADER,INTAKE, KU83 | 2 |
| 27 | 104-1020 | RING,O,SILICON,7/16"IDX5/8"ODX3/32"THK | 2 |
| 28 | 150-1028 | PISTON,UNLOADER,VALVE,BRASS,KU81 | 2 |
| 29 | 104-1015 | RING,O,BUNA-N,1/2"IDX11/16"ODX3/32"THK | 2 |
| 30 | 122-1051 | PLUG,HEX ,BRASS,11/16-16 UN-2B X .550 | 2 |
| 31 | 150-1042 | WASHER,BRASS,1/32X 0.605ODX1/4 ID,KU84 | 2 |
| 32 | 120-1028 | SCREW,CAP,HEXHD,GR5,ST,BLK,5/16-18X2-1/4 (22 FT-LB) | 4 |
| 33 | 120-1252 | BOLT,STUD,HEX,ST,5/16-18X2-1/4X5/8,K52-1 (22 FT-LB) | 2 |
| 34 | 310-1004 | HEAD,START/STOP,G PUMP,REPLACEMNT,L50 | 1 |
| 35 | 150-1104 | ELEMENT,FILTER,AIR,COMPRESSOR,JENNY,G54E | 1 |
| 36 | 104-1008 | GASKET,HEAD,K&G&W PUMP,1/32THK,L51 | 1 |
| 37 | 150-1041 | RETAINER,VALVE,STEEL,PAS,0.062"THK,K43 | 4 |
| 38 | 109-1010 | VALVE,BUMPER,STEEL,K44 | 4 |
| 39 | 150-1018 | SPRING,CONE,SS,VALVE,DISCHARGE,K46 | 2 |
| 40 | 109-1011 | VALVE,DISC,STAINLESS STEEL,K47 | 4 |
| 41 | 220-1013 | PLATE,VALVE,L PUMP,CI,MACHINED,L40 | 1 |
| 42 | 150-1017 | SPRING,CONE,SS,VALVE,INTAKE,K45 | 2 |
| 43 | 104-1007 | GASKET,PLATE,VALVE,K&G&W PUMP,1/32TK,L41 | 1 |
| 44 | 360-1150 | CYLINDER,K PUMP,CI,PAINTED,BLUE,K30 | 1 |
| 45 | 120-1017 | SCREW,CAP,HEXHD,GR5,ST,BLK,5/16-18X3/4 (15FT-LB) | 6 |

Parts List for Model K & KU Pump Assembly

NOTE: The quantity number indicates the total number of pieces required for a complete unit repair.
When ordering parts give compressor model, serial number and part number. Order assemblies when possible.

| <u>REF. NO.</u> | <u>PART NO.</u> | <u>DESCRIPTION</u> | <u>QTY.</u> |
|-------------------|-----------------|---|-------------|
| 46 | 104-1006 | GASKET,CYLINDER,K&G&W PUMP,1/32THK,K31 | 1 |
| 47 | 132776 | SCREW,MACH,RND HD,SLTD,ST,PL,#8-32X1" | 1 |
| 48 | 104-1264 | RETAINER,BREATHER,CRANKCASE,PLASTIC,BLUE | 1 |
| 49 | 104-1265 | FILTER,AIR,BREATHER,CRANKCASE,INSERT | 1 |
| 50 | 104-1266 | SEAL,BREATHER,CRANKCASE,FILTERED,RUBBER | 1 |
| 51 | 120-1167 | RETAINER,INTERNAL,ST,0.035X 0.665,KU85 | 2 |
| Assemblies | | | |
| 52 | 610-1410 | BREATHER,CRANKCASE,W/HOUSING&FILTER&SEAL Includes 47, 48, 49, 50 | 1 |
| 53 | 610-1411 | ROD,CONNECTING,W/BEARNG INSERT,L21L&L21K INCLUDES 14(2), 15, 18(2), 19(2) | 2 |
| 54 | 610-1028 | PISTON,W/RINGS&PIN,ASSY,K132 INCLUDES 20 (2), 21, 22, 23, 24 (2) | 2 |
| 55 | 610-1020 | KIT,PUMP,RING,PISTON,F&K&G&W PUMP,K133 INCLUDES 23 (2), 24 (4) | 1 |
| 56 | 610-1031 | VALVE,SUCTION,ASSY,K145 INCLUDES 37, 38, 40, 42 | 2 |
| 57 | 610-1045 | PLATE,VALVE,W/VALVES,ASSY,L140 INCLUDES 36, 41, 43, 56(2), 60(2) | 1 |
| 58 | 610-1042 | VALVE,UNLOADER,HEAD,PUMP,ASSY,KU181 INCLUDES 26, 27, 28, 31, 51 | 2 |
| 59 | 320-1121 | FILTER,W/DECALS,ASSY,G154S | 1 |
| 60 | 610-1032 | VALVE,DISCHARGE,ASSY,K146 INCLUDES 37, 38, 39, 40 | 2 |
| 61 | 610-1026 | KIT,GASKET,K PUMP,ASSY,K100A INCLUDES 12,13,36,43,46 | 1 |
| NOT SHOWN | 610-1123 | KIT,BASIC,REPAIR,KU PUMP,K101 W/G54E INCLUDES 35, 52, 55, 56(2), 60(2), 61 | 1 |
| NOT SHOWN | 610-1304 | KIT,BASIC,REPAIR,KU PUMP,W/G54E,KU101G | 1 |

Parts List for Model K & KU Pump Assembly

NOTE: The quantity number indicates the total number of pieces required for a complete unit repair.
When ordering parts give compressor model, serial number and part number. Order assemblies when possible.

| <u>REF. NO.</u> | <u>PART NO.</u> | <u>DESCRIPTION</u> | <u>QTY.</u> |
|-----------------|-----------------|--|-------------|
| | | INCLUDES 35, 52, 55(2), 56(2), 58(2), 60(2), 61 W/G54E | |
| NOT SHOWN | 105-1209 | OIL,PUMP,SYNTHETIC,BLUE,1 QUART,ESQ | 1 |
| NOT SHOWN | 610-1226 | KIT,FILTER,ASSY,G154,PKG OF 4,G154P | 1 |
| NOT SHOWN | 610-1186 | KIT,ELEMENT,FILTER,L54E,PKG OF 4,L54EP | 1 |
| NOT SHOWN | 150-1010 | ELEMENT,FILTER,AIR,COMPRESSOR,JENNY,L54E | 1 |