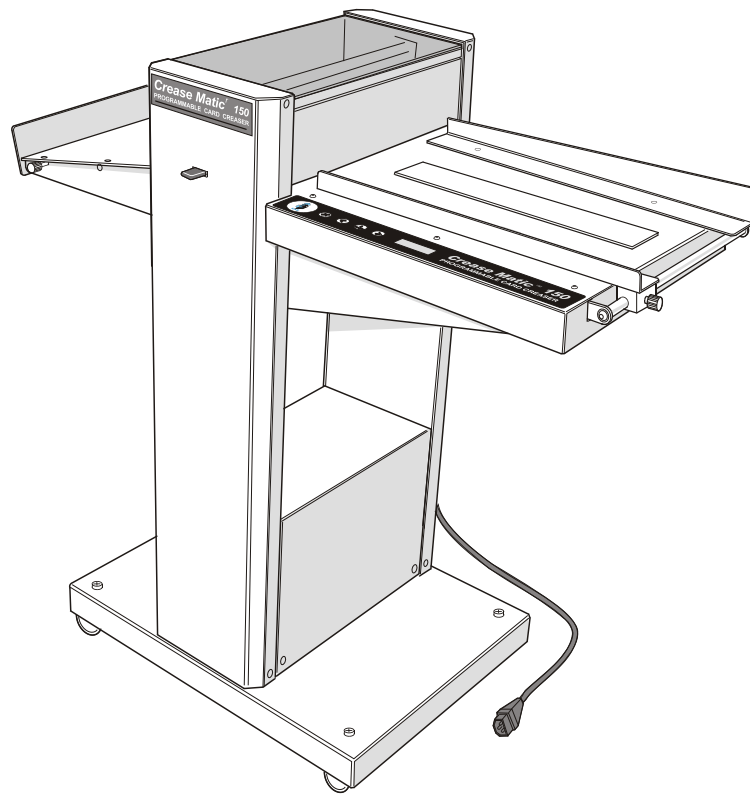


# Crease Matic 150

## Programmable Card Creaser



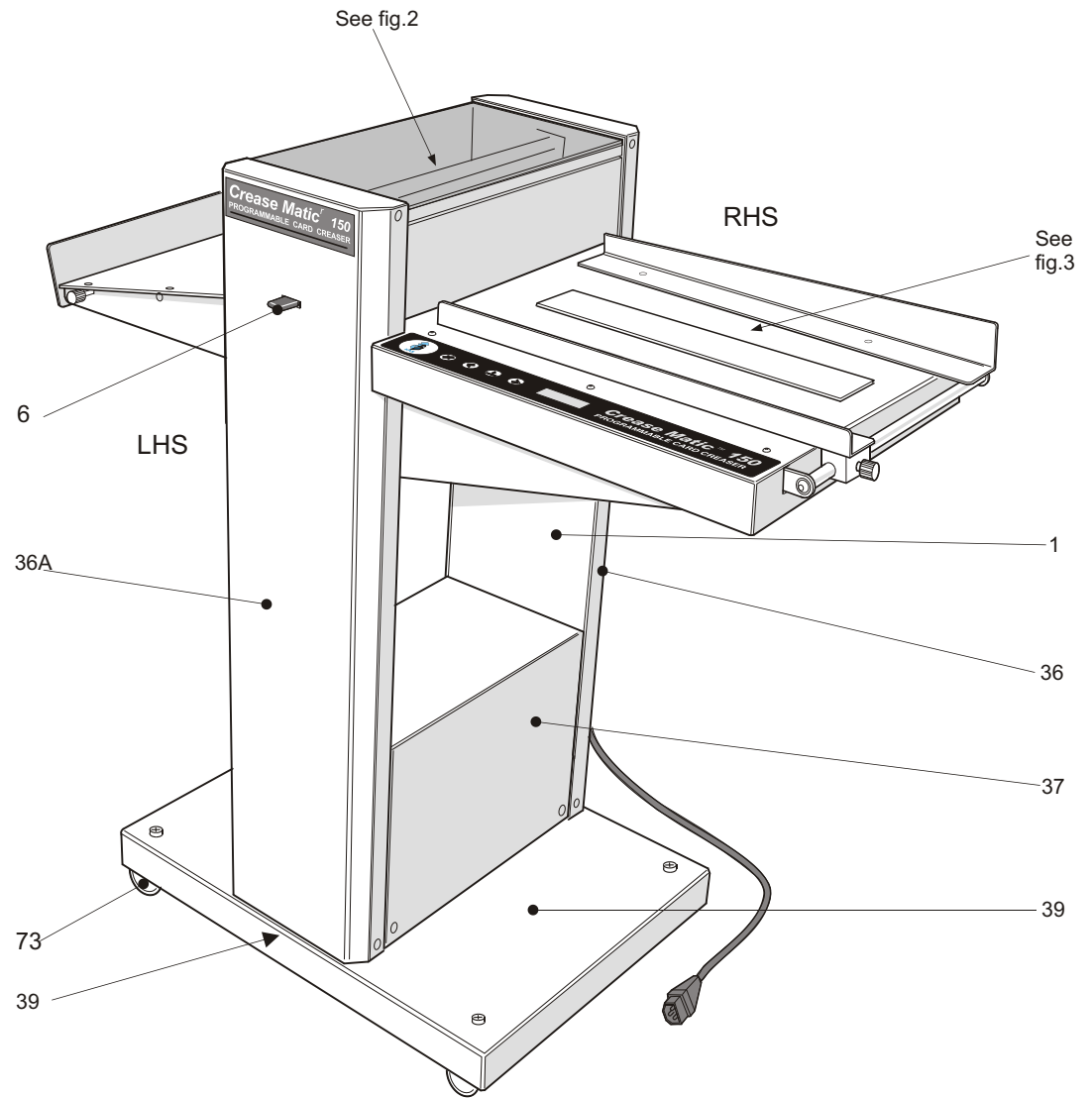
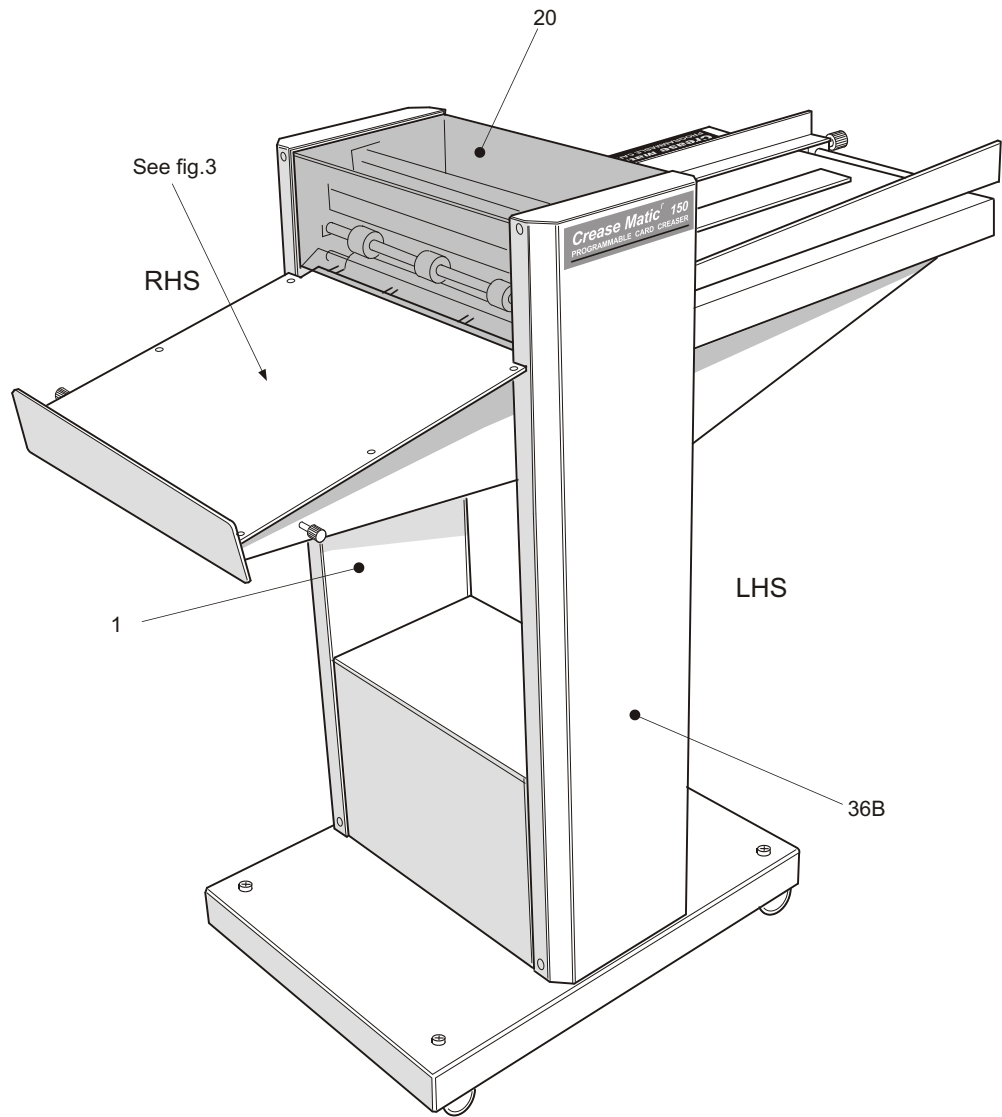
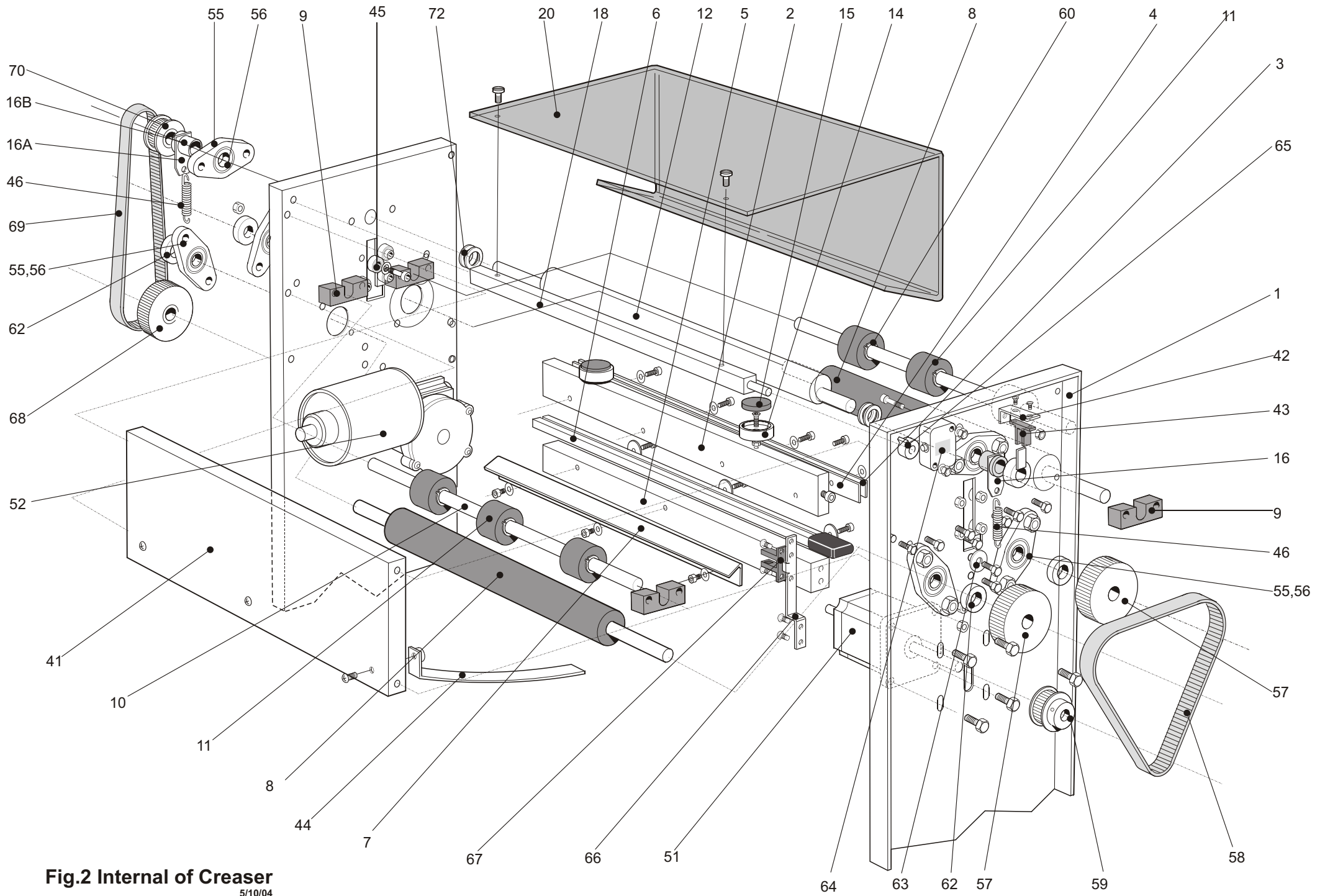


Fig 1 General view of creaser



**Fig.2 Internal of Creaser**  
5/10/04

CREASE MATIC 150 Parts list		
	PART	QUANTITY
1	SIDE PLATES	PAIR
2	TOP KNIFE BLOCK HOLDER	1
3	TOP KNIFE BLOCK CLAMP	1
4	TOP KNIFE	1
5	BOTTOM KNIFE BLOCK HOLDER	1
6	BOTTOM KNIFE BLOCK	1
7	INFEED DEFLECTOR	1
8	FEED ROLLS	2
9	IDLE BLOCKS	4
10	IDLE SHAFT	2
11	IDLE ROLLS	6
12	KNIFE DRIVER	1
13	KNIFE DRIVER STUB SHAFTS	2
14	KNIFE ADJUSTER BLOCKS	2
15	KNIFE ADJUSTER INSERTS	2
16	KNIFE RETURN SPRING HOLDER (complete)	2
17	TIE BAR	2
18	COVER PIVOT BAR	1
19	TIE BAR + 2 OFF M4	2
20	TOP (POLY) COVER	1
21	INFEED TRAY	1
22	INFEED TRAY SUPPORT ARMS	PAIR
23	INFEED TRAY EXTENSION PLATES	2
24	LHS PAPER LAY	1
25	RHS PAPER LAY	1
26	INFILL PLATE	1
27	LHS LAY BAR	1
28	OUTFEED TRAY	1
29	OUTFEED TRAY SUPPORT ARMS	2
30	OUTFEED TRAY SUPPORT BLOCKS	PAIR
31	OUTFEED TRAY BACK STOP	1
32	OUTFEED TRAY EXTENSION SHAFTS	4
33	THUMBSCREW	3
34	ELECTRICAL PANEL	1
35	MOTOR COVER	1
36A	OUTSIDE COVERS WITH HOLE	1
36B	OUTSIDE COVERS WITHOUT HOLE	1
37	INSIDE COVER	1
38	BOTTOM PLATE	1
39	BOTTOM PLATE ANGLES	2
40	NUT PLATE	1
41	INFEED COVER	1
42	PHOTOCELL BRACKET	1
43	PHOTOCELL (KNIFE)	1
44	DEFLECTOR STRIPS	3
45	KNIFE BEARINGS	6
46	KNIFE RETURN SPRINGS	2
47	SWITCH / FUSE, 2 X 1.6 AMPS	1
48	MAINS FILTER	1
49	24V POWER SUPPLY	1
50	CONTROL BOARD+ PANEL+LEAD	1
51	STEPPER MOTOR	1

