

# **OPERATION AND PARTS MANUAL**



## **GloBug SERIES GB8LED LIGHTING SYSTEM**

Revision #0 (03/09/15)

**THIS MANUAL MUST ACCOMPANY THE EQUIPMENT AT ALL TIMES.**

# TABLE OF CONTENTS

---

## **GB8LED LIGHTING SYSTEM**

Table Of Contents.....	2
Parts Ordering Procedures.....	3
Safety Information .....	4-7
Specifications .....	8
Dimensions.....	9
Illumination Range.....	10
General Information.....	11
Components .....	12-13
Setup .....	14-16
Operation.....	17-19
Maintenance.....	20-23
Wiring Diagram.....	24
Troubleshooting .....	25-28
Explanation Of Code In Remarks Column.....	30
Suggested Spare Parts .....	31

## **Component Drawings**

Nameplate And Decals.....	32-33
Electrical Assembly .....	34-35
Pentapod Assembly.....	36-37
Mast Assembly .....	38-39
Terms And Conditions Of Sale — Parts .....	40

## **SUGGESTED SPARE PARTS**

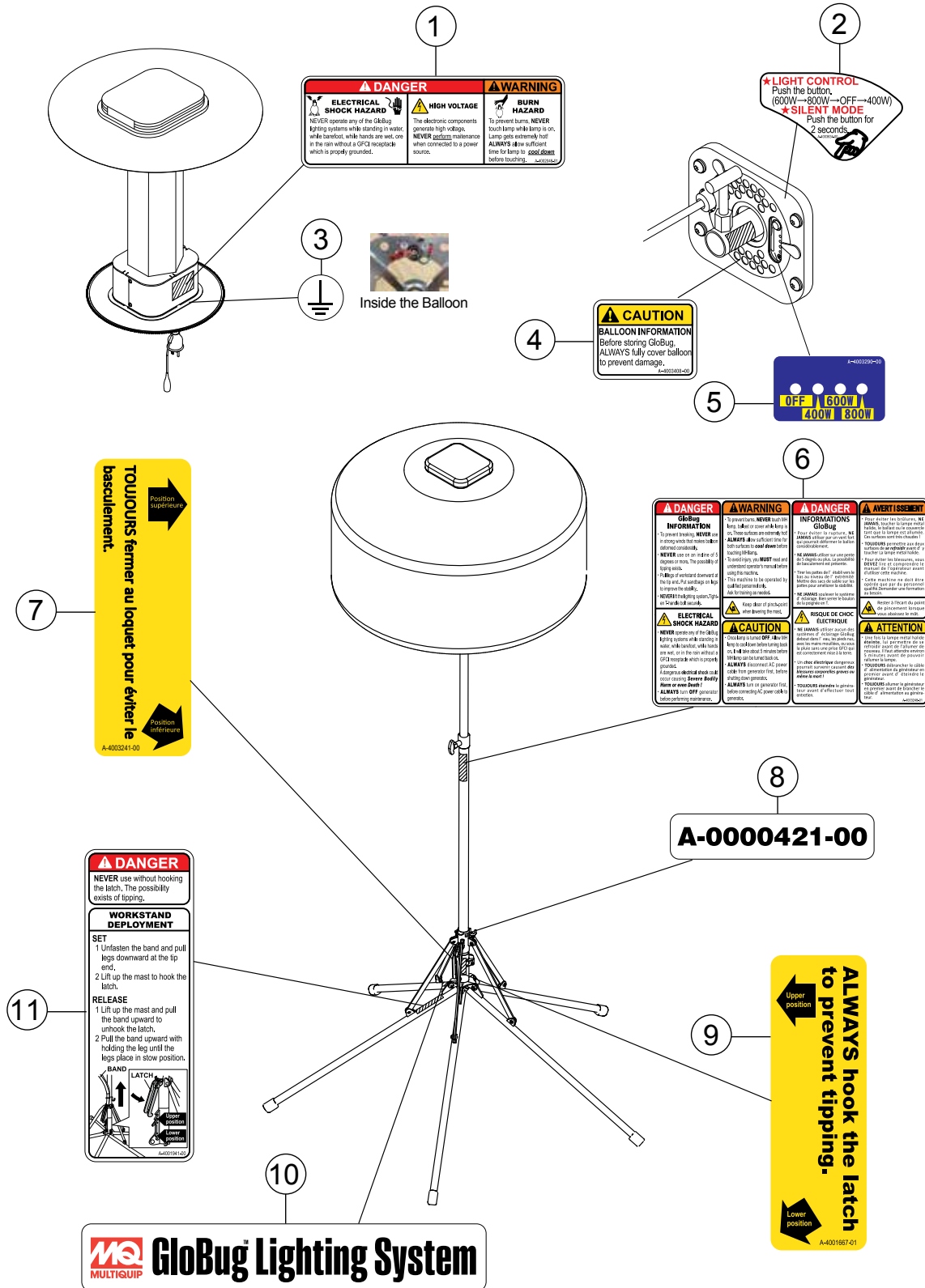
---

### **GLOBUG GB8LED LIGHTING SYSTEM**

#### **1 TO 3 UNITS**

<b>Qty.</b>	<b>P/N</b>	<b>Description</b>
3.....	A300282600 .....	LED HEATSINK ASSY
2.....	A100108400 .....	BALLOON CLOTH

# NAMEPLATE AND DECALS

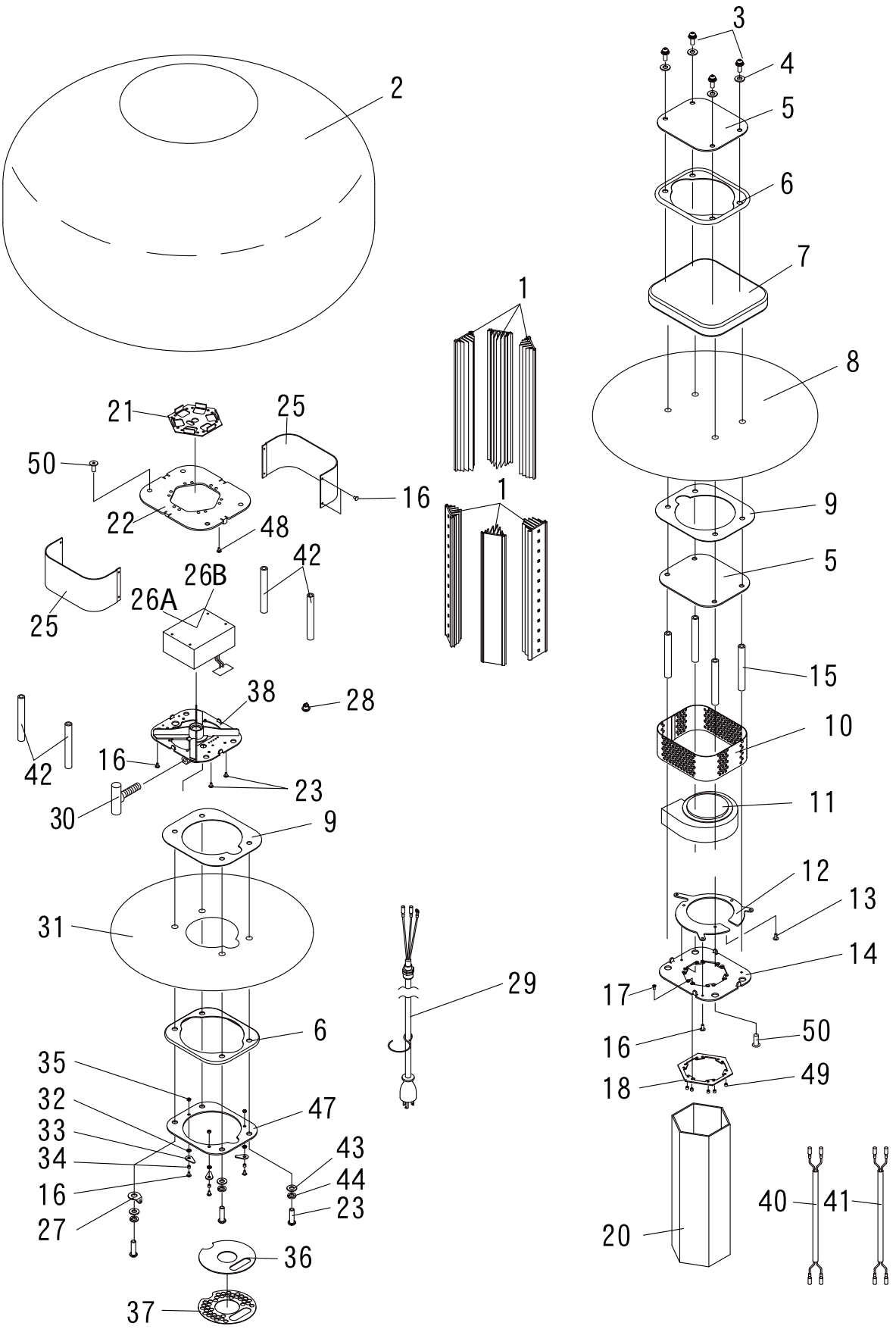


## NAMEPLATE AND DECALS

---

<u>NO.</u>	<u>PART NO.</u>	<u>PART NAME</u>	<u>QTY.</u>	<u>REMARKS</u>
1	A400204801	DECAL; ELECTRIC SHOCK, HIGH VOLTAGE, BURN HAZ.	1	
2	A400363400	DECAL; LIGHT CONTROL	1	
3	A400084300	DECAL; GROUND	1	
4	A400340800	DECAL; DANGER, BALLOON INFORMATION	1	
5	A400329000	DECAL; DIMMER SWITCH LEDS	1	
6	A400324801	DECAL; GLOBUG INFORMATION	1	
7	A400324100	DECAL: HOOK LATCH (FRENCH)	1	
8	A400207303	DECAL;NAME	1	
9	A400166701	DECAL; HOOK LATCH (ENGLISH)	1	
10	A400193300	DECAL; LOGO MQ-GLOBUG	1	
11	A400194100	DECAL; DANGER, WORKSTAND DEPLOYMENT	1	

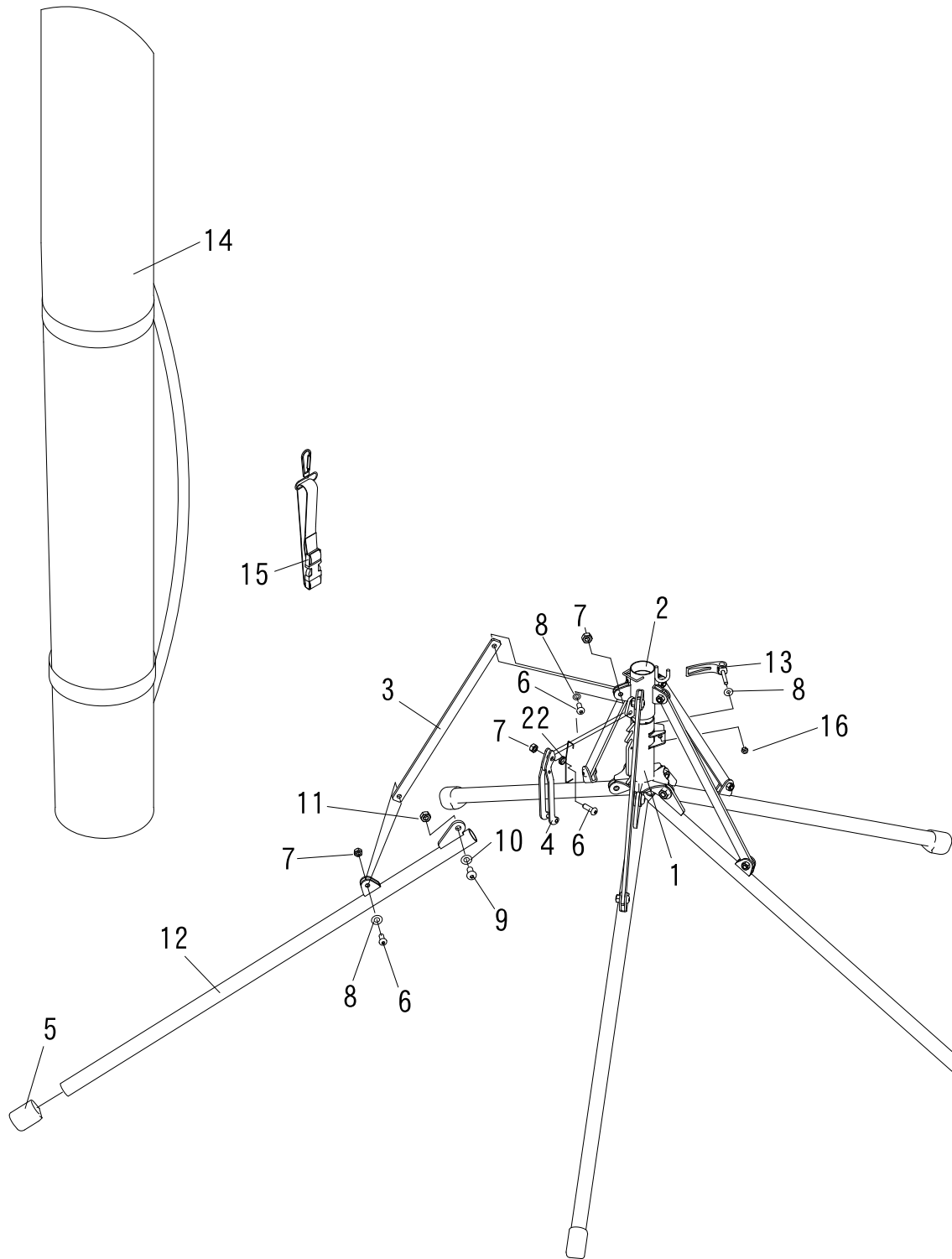
# ELECTRICAL ASSY.



## ELECTRICAL ASSY.

<u>NO.</u>	<u>PART NO.</u>	<u>PART NAME</u>	<u>QTY.</u>	<u>REMARKS</u>
1	A300282600	LED HEATSINK ASSY.	6	
2	A100108400	BALLOON, CLOTH	1	
3	0014708025	BUTTON SCREW, M8X25	4	
4	E000132100	SUS OPG BONDED WASHER	4	
5	A300257000	PLATE, TOP	2	
6	A300162400	SEAL, PACKING	2	
7	A100107700	BALLOON COVER (BLACK)	1	
8	A100101200	SHEET, TOP	1	
9	2214500230	SEAL, FLAT	2	
10	A300274701	VESSEL, TOP	1	
11	A300280600	FAN MOTOR ASSY.	1	
12	A300281401	PLATE, FAN	1	
13	0023204006	SCREW, M4X6	3	
14	A300247701	PLATE, LAMP, TOP	1	
15	A400317400	SPACER A	4	
16	0024304008	TRUSS SCREW, M4X8	15	
17	0023204012	COUNTERSUNK SCREW, M4X12	12	
18	A400295300	STOPPER, GUARD	1	
20	A300243602	GUARD, LED	1	
21	A300282500	ADAPTER BOARD	1	
22	A300290400	PLATE, LAMP	1	
23	0014708035	BUTTON SCREW, M8X35	4	
24	0023203005	SCREW, M3X5	2	
25	A300291200	COVER PLATE	2	
26A	A300269000	LED POWER SUPPLY (MASTER)	1	
26B	A300269100	LED POWER SUPPLY (SLAVE)	1	
27	2204510110	WASHER	1	
28	A400329900	DIMMING SWITCH	1	
29	A300181901	POWER CABLE	1	
30	A400209800	BALLOON KNOB (T-HANDLE)	1	
31	A100097600	SHEET, BOTTOM	1	
32	E000119300	WAVE WASHER, M6	3	
33	A400030700	STOPPER	3	
34	E000077500	SPACER	3	
35	0033104000	NUT, M4	5	
36	A400273800	FILTER	1	
37	A300244600	PLATE, AIR	1	
38	A200105100	FLANGE, LED	1	
40	A400305001	WIRE, FAN	1	
41	A400331100	WIRE, FAN (VC)	1	
42	A400311400	SPACER B	4	
43	0043108000	WASHER, M8	4	
44	030208200	WASHER, LOCK 8MM.....	4.....	REPLACES P/N 0043208000
47	A300256700	PLATE, BOTTOM	1	
48	0023304015	SCREW/WASHER, M4X15	12	
49	E000122300	SPACER	12	
50	E000119600	BOLT, M8X20	8	

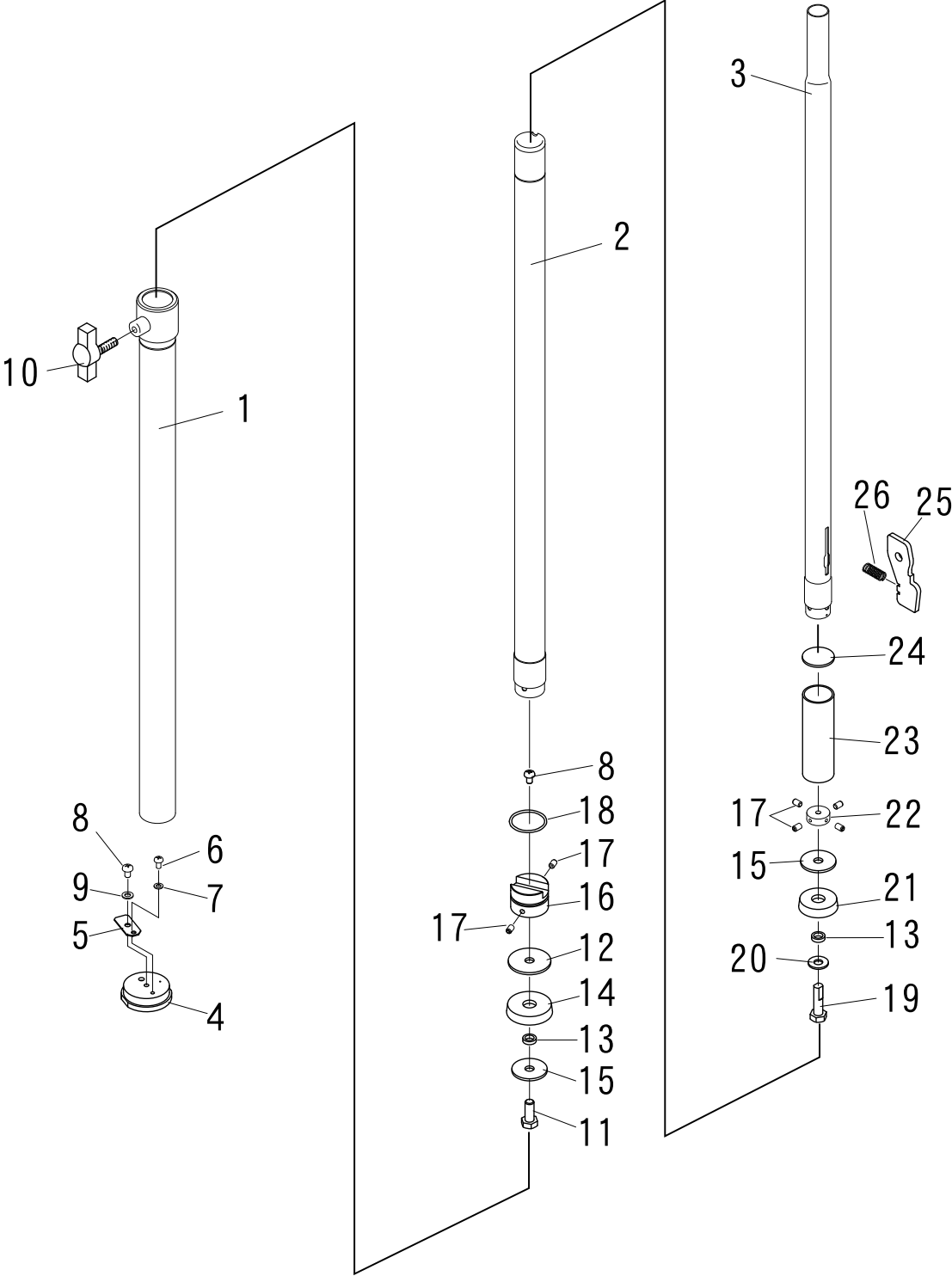
# PENTAPOD ASSY.



## PENTAPOD ASSY.

---

<u>NO.</u>	<u>PART NO.</u>	<u>PART NAME</u>	<u>QTY.</u>	<u>REMARKS</u>
1	A300180300	BASE PIPE 1	1	
2	A300178000	BASE PIPE 2	1	
3	A300113103	STAY	5	
4	A300108700	SHACKLE	1	
5	1641000330	RUBBER FOOT	5	
6	0014708025	BUTTON SCREW, M8X25	11	
7	0033208000	SELF LOCKNUT, M8	11	
8	0043108000	WASHER, M8	12	
9	0014710025	BUTTON SCREW, M10X25	5	
10	0043110000	WASHER, M10	5	
11	0033210000	SELFLOCK NUT, M10	5	
12	A300171601	PIPE, BASE	5	
13	2212780310	LEVER, CLAMP	1	
14	A300152700	PENTAPOD CARRYING CASE	1	
15	A300106500	BAND	1	
16	0033206000	SELF LOCKNUT, M6	1	
22	A400205901	SPRING, SHACKLE	1	



## MAST ASSY.

---

<u>NO.</u>	<u>PART NO.</u>	<u>PART NAME</u>	<u>QTY.</u>	<u>REMARKS</u>
1	A300175400	FIRST MAST	1	
2	A300175500	SECOND MAST	1	
3	A300175600	THIRD MAST	1	
4	A400199700	PLUG	1	
5	A400112700	LEAF VALVE	1	
6	0023104008	SCREW, M4X8	1	
7	0043104000	WASHER, M4	1	
8	0023105008	SCREW M5X8	2	
9	0043105000	WASHER, M5	1	
10	A400187601	KNOB, BLACK	1	
11	0013108020	BOLT, M8X20	1	
12	A400200500	WASHER	1	
13	A400110200	WASHER, FIRST MAST	2	
14	A400200700	RUBBER, MAST	1	
15	A400092801	WASHER, SECOND MAST	2	
16	A400200800	BOTTOM PLATE	1	
17	0024705008	SET SCREW, M5X8	6	
18	E000081200	O-RING	1	
19	A400202700	BOLT	1	
20	0043108000	WASHER, M8	1	
21	A400109600	RUBBER, MAST	1	
22	A400092402	BOTTOM PLATE	1	
23	A400200300	PIPE, LEVER	1	
24	A400321800	WASHER	1	
25	A400200201	LEVER, HOOK	1	
26	A400345900	SPRING, HOOK	1	