



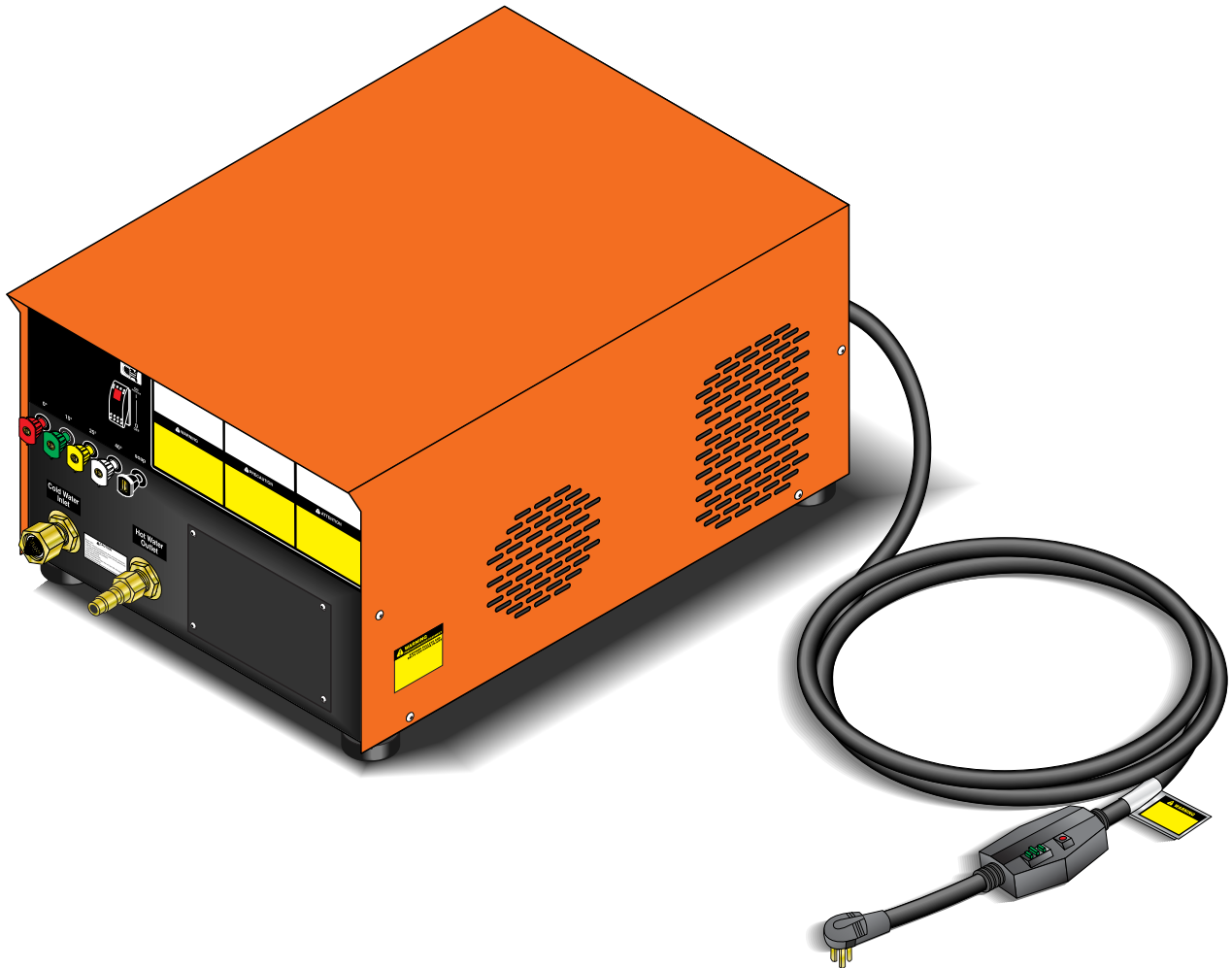
# MODEL: CB

## OPERATING INSTRUCTION AND PARTS MANUAL

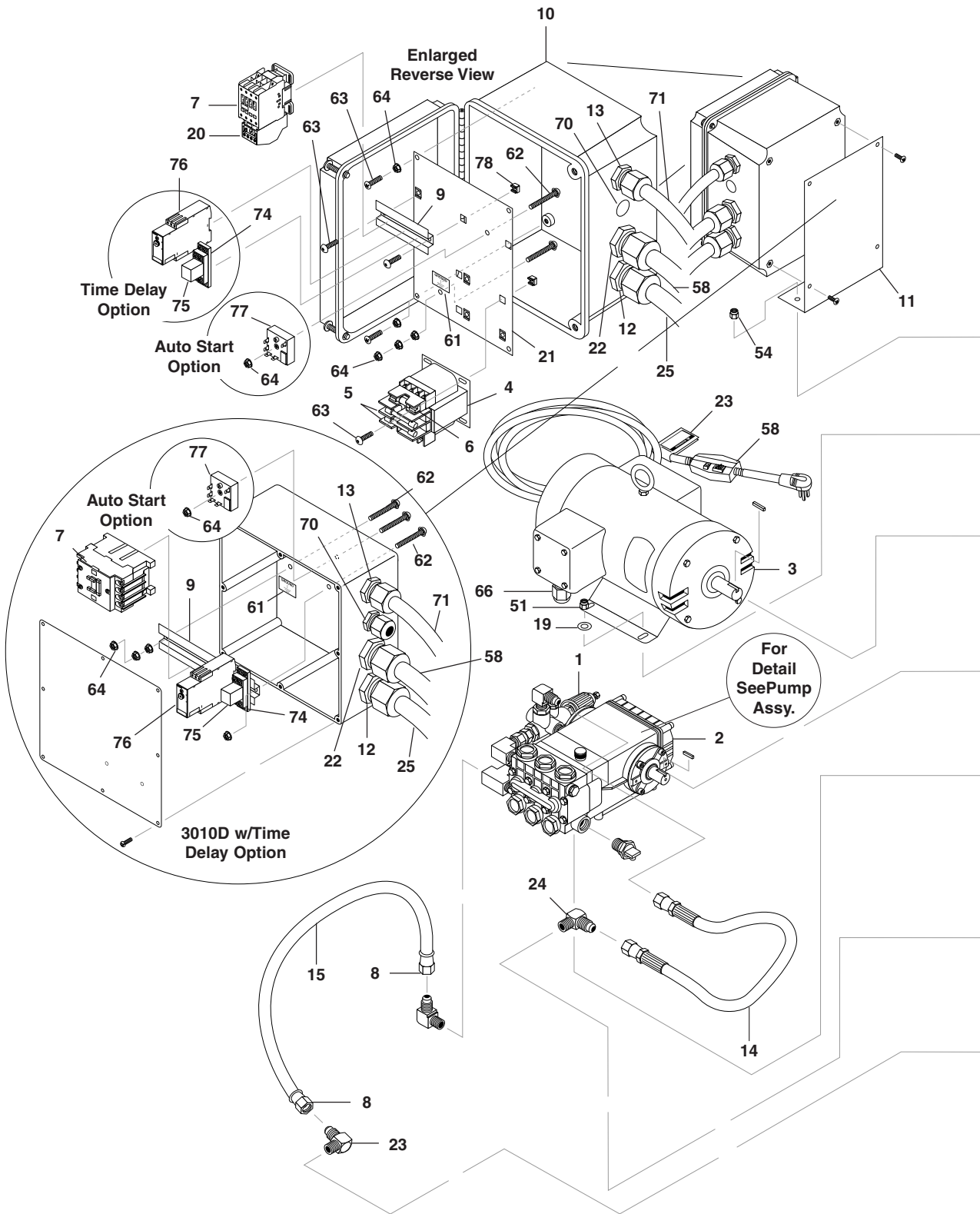
■ CB-3010

■ CB-3530

■ CB-4020



# EXPLODED VIEW





## EXPLODED VIEW PARTS LIST

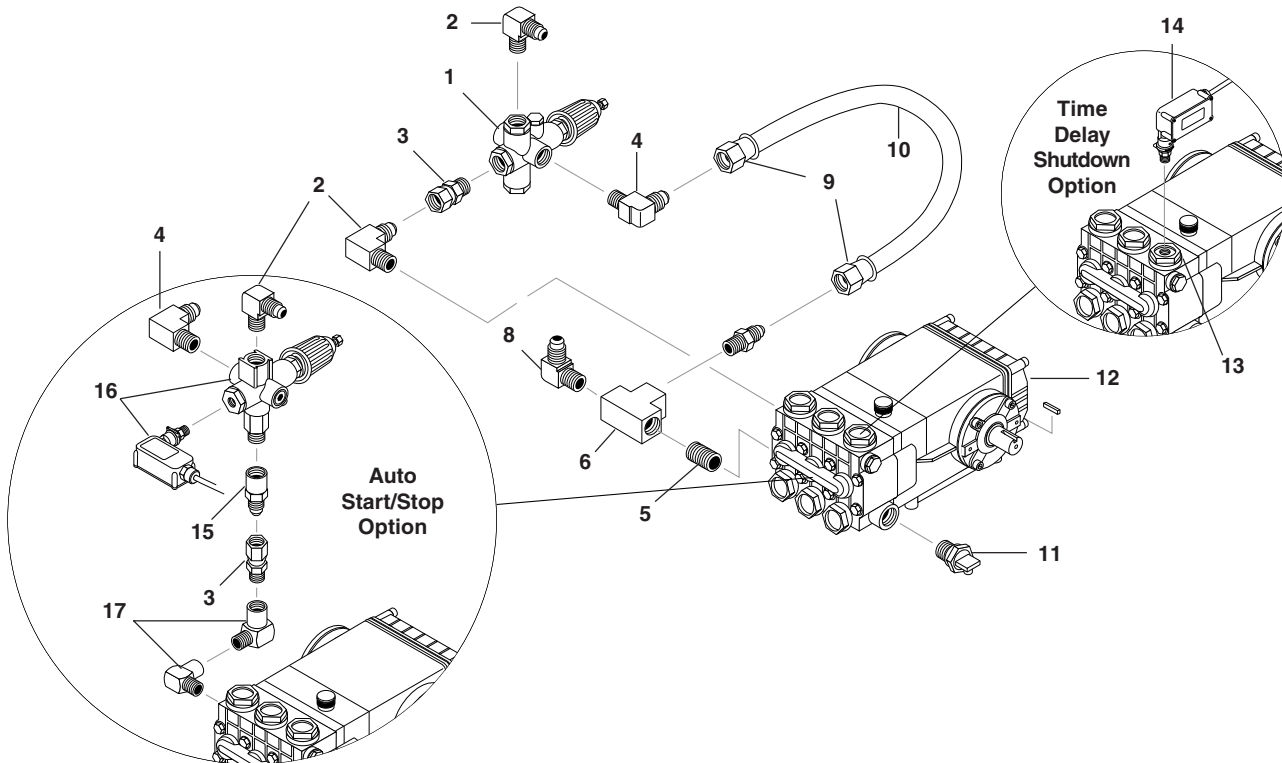
ITEM	PART NO.	DESCRIPTION	QTY	ITEM	PART NO.	DESCRIPTION	QTY
1		Unloader, See Specifications pages 20-21		22	6-05181	▲ Lock Nut, 1/2" Conduit (3010)	1
2		Pump, See Specifications pages 20-21			6-05170	Strain Relief, 3/4" (3530A,G)	1
3		Motor, See Specifications pages 20-21			6-05172	▲ Lock-Nut, 3/4" (3530A, G)1	
4		Transformer, See Specifications pages 20-21		23	2-08018	Label, Warn Service Cord	1
5	6-02294	Fuse, ATMR, 1 Amp, 600V (3530A, B; 4020A, B)	2	24	2-0053	Elbow, 1/2" JIC x 3/8" 90°	1
	6-02295	Fuse, 1/2 Amp, 600V (3530C, 4020C)	2	25	6-0108	Cord, Serv, SEO, 10/3 Coleman, Motor (4020A,G)	3.33 ft.
6	6-022970	Fuse, Paper, Buss FNM-1/2, 250V Midget (3530, 4020)	1		6-0109	Cord Service, 10/4, Motor (3530H)	3.33 ft.
7		Contact, See Specification pages 20-21			6-01041	Cord, Service, 12/3, Motor (3010D)	4.25 ft.
8	2-1105	Swivel, 1/2" JIC Fem, Push-On	2		6-0102	Cord, Service, 8/3, Motor (3530A,G)	3.33 ft.
9	6-021595	Din Rail, 35 mm	4"		6-0105	Cord Service, 12/4, Motor (4020B,C,H;3530B,C)	3.33 ft.
10	6-03909	Box, Plastic, 10" x 8" x 6" w/Lid (4020, 3530)	1	26	10-08021	Label, Disconnect Power Supply	1
	6-03907	Box, Plastic 8" x 8" x 4", (3010)	1	27	95-07102129	Cover, Cabinet, Cold Water	1
11	95-07603907	Bracket, Electric Box Support	1	28	95-07102122	Base Cabinet, Cold Water, Wrinkle Black	1
12	6-05153	Strain Relief, STRT, LQ Tite (3010)	1	29	6-020240	Switch, Rocker, Carling w/Green Lens	1
	6-05181	▲ Locknut, 1/2" Conduit	1		6-020241	Switch, Rocker, Carling Red (Time-Delay Shutdown Option)	1
	6-051595	Strain Relief, STRT, LQ Tite (3530A, B, C, G, H;4020A, B, C, G, H)	1	30	2-01041	Pad, Soft Rubber, Duro 50	4
	6-05172	▲ Lock Nut, 3/4" (3530A, B, C, G, H;4020A, B, C, G, H)	1	31	2-0103	Grommet, Rubber (Nozzle Holder)	5
13	6-05153	Strain Relief, STRT, Med.	1	32	2-10942	Swivel, 1/2" MP x 3/4" GHF w/strainer	1
	6-05181	Locknut, 1/2" Conduit	1	33	2-11041	Connector, 1/2" Anchor	1
14	4-02047720	Hose, 3/8" x 20", 2 Wire, Pressure Loop (4020, 3530)	1	34	2-11039	Connector, 3/8" Anchor	1
	4-02047725	Hose, 3/8" x 25", 2 Wire, Pressure Loop (3010)	1	35	4-011184	Downstream Injector Assembly, Non-Adj.	1
15	4-02110000	Hose, 1/2" Push-On	1 ft.	36	2-2007	Nipple, 3/8" x 3/8" NPT ST Male	1
16	90-2001	Nut, 5/16" ESNA	4	37	4-12806000	Nozzle, 0006, Red (4020)	1
17	95-0710375546	Slider, Pump	1		4-12806015	Nozzle, 1506, Yellow (4020)	1
18	90-1027461	Bolt, 1/2" x 8"	1		4-12806025	Nozzle, 2506, Green (4020)	1
19	90-4001	Washer, 5/16", Flat, SAE (3010)	4		4-12806040	Nozzle, 4006, White (4020)	1
	90-4002	Washer, 3/8" SAE, Flat (3530, 4020)	4		4-12804000	Nozzle, 0004, Red (3530)	1
20		Overload, See Specifications Pages 20-21			4-12804015	Nozzle, 1504, Yellow (3530)	1
21	95-07290068	Standoff, Electrical Box (3530, 4020)	1		4-12804025	Nozzle, 2504, Green (3530)	1
22	6-051595	Strain Relief, 3/4" Strt, LQ Tite (3530B,C,H;4020 A, B, C, G,H)1	1		4-12804040	Nozzle, 4004, White (3530)	1
	6-05172	▲ Lock-Nut, 3/4" (3530B, C, H; 4020A, B, C, G, H)	1		4-12805500	Nozzle, 0005.5, Red (3010)	1
	6-05153	Strain Relief, Strt, LQ Tite (3010)	1		4-12805515	Nozzle, 1505.5, Yellow (3010)1	1
					4-12805525	Nozzle, 2505.5, Green (3010)1	1
					4-12805540	Nozzle, 4005.5, White (3010)1	1

# EXPLODED VIEW PARTS LIST

ITEM	PART NO.	DESCRIPTION	QTY	ITEM	PART NO.	DESCRIPTION	QTY
38	11-0308	Label, Control Panel (CB Models)	1	59	90-20231	Nut, Cage, 1/4" x 12 Gauge	8
39	11-0601	Label, Stripe, 29" (CB)	2	60	2-0114	Nut, 1/4" Square Head Grommet, Nylon	4
40	Bushing, See Specifications pages 20-21			61	11-1042	Label, Ground	1
41	Bushing, See Specifications pages 20-21			62	90-1994	Screw, 10/32" x 1-1/4" RH, SL (3530, 4020) (3010)	1 2
42	Pump Pulley, See Specifications pages 20-21			63	90-1991	Screw, 10/32" x 1/2" BHSOC (3530, 4020)	11
43	Motor Pulley, See Specifications pages 20-21			64	90-017	Nut, 10/32" KEPS (3010) (3530, 4020)	4 10
44	Belt, See Specifications pages 20-21			65	10-09003	Label, Cold Water Inlet, HS	1
45	6-05171	Strain Relief, 1"	1	66	6-051532	Strain Relief, 3/4", LQ Tite (3010)	1
46	90-1995	Screw, 1/4" x 1/2", BH SOC CS	14		6-051595	Strain Relief, STRT, LQ Tite (3530B,C;4020A,B,C,G,H)	1
47	90-40125	Washer, 3/8" x 1" Steel	4		6-05181B	▲ Locknut, 3/4" (3010; 3530B,C; 4020A,B,C,G,H)	1
48	90-1007	Bolt, 5/16" x 1 NC (3010)	4		6-051700	Strain Relief, 1" (3530A,G,H)	1
	90-1016	Bolt, 3/8" x 1" NC, HH (3530, 4020)	4		6-05182	▲ Locknut, 1" (3530A,G,H)	1
49	10-9999	Label, Clear Lexan, 2-1/4" x 4-1/2"	1	67	10-09002	Label, Cold Water Outlet	1
50	2-01107	Weather Stripping	7 ft.	68	10-02028	Label, Warning, Exposed Pulleys	1
51	90-2002	Nut, 3/8" ESNA, NC (3530, 4020)	4	69	10-08016	Label, Intended for Indoor Use	1
	90-2001	Nut, 5/16", ESNA, NC (3010)	4	70	6-05152	Strain Relief, Small, LQ Tite (Time Delay/Auto-Start Option)	1
52	90-3096	Washer, 1/2" Flat	1		6-05181	▲ Lock-Nut, 1/2" Conduit (Time Delay/Auto-Start Option)	1
53	95-07102289	Cover, Access Hole	1	71	6-0101	Cord, Service, SEO, 16/3	2.5 ft.
54	90-2000	Nut, 1/4", ESNA NC	2		6-01011	Cord, Service, SEO 16/4 (Time Delay Shutdown Option)	2.5 ft.
55	90-1018	Bolt, 3/8" x 1-1/2", NC HH	4	72	90-2002	Nut, 3/8" ESNA	4
56	2-0108	Bumper Pad, Engine	4	73	90-4001	Washer, 5/16" Flat	4
57	90-4007	Washer, 3/8" x 1-1/2" Fender	4	74	6-03541	Base Relay (Time Delay Shutdown Option)	1
58	6-01060	GFCI, 120V 20A w/36' 12-3 Cord (3010D)	1	75	6-03621	Relay (Time Delay Shutdown Option)	1
	6-01059	GFCI, 240V 1Ph, 30A, 36' 10-3 Cord (4020A,G)	1	76	6-03700	Timer, Multi-Function, 24V-120/240V (Time Delay Shutdown Option)	1
	6-010690	GFCI 240V 1Ph 40A, 36' 8-3 Cord (3530A,G)	1	77	6-036880	Timer, Solid State, 120V, 5-60 Mins, Adjustable (Auto Start/Stop Option)	1
	6-0105	Cord, Serv, SEO 12/4 (4020B,C,H;3530B,C)	10 ft.	78	90-2018	Nut, Cage, 10/32" x 16 Gauge (3530, 4020)	6
	6-0109	Cord, Service, 10/4 (3530H)	10 ft.	79	9.800-049.0	Label, Manufacturer's Cleaning Solution	1

▲ Not Shown

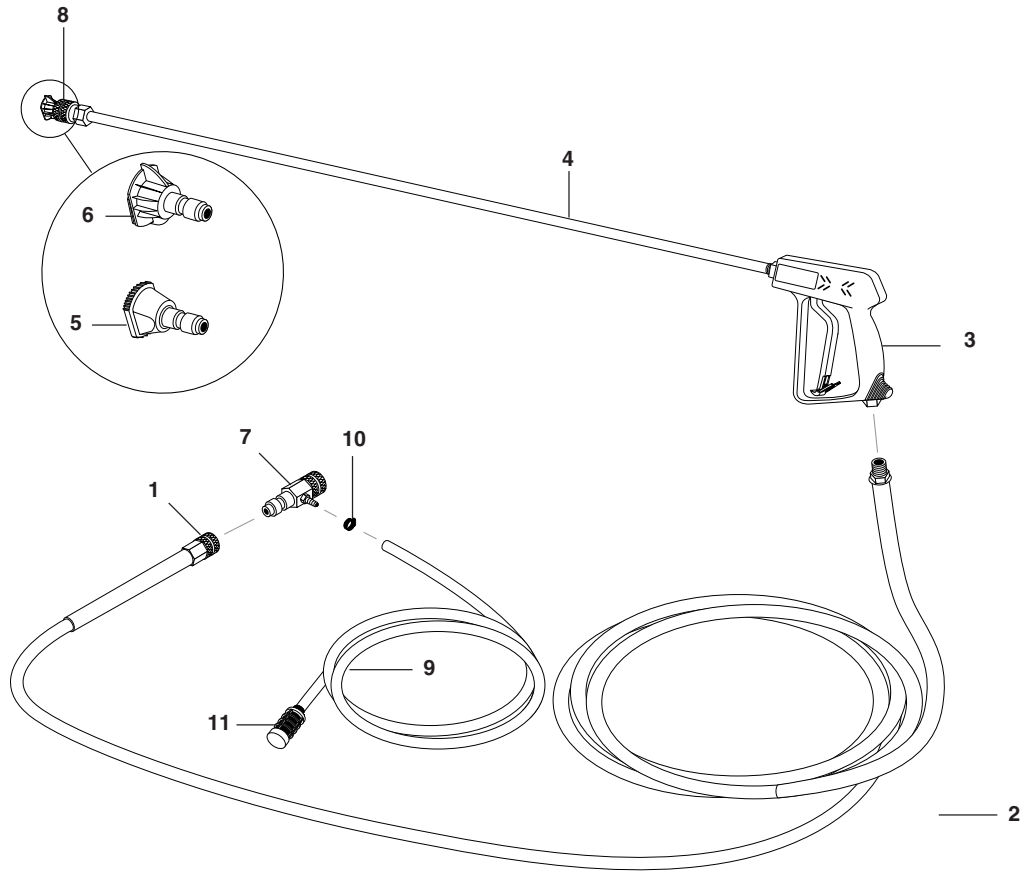
## PUMP EXPLODED VIEW



## PUMP EXPLODED VIEW PARTS LIST

ITEM	PART NO.	DESCRIPTION	QTY	ITEM	PART NO.	DESCRIPTION	QTY
1		Unloader, See Specifications Pages 20-21		13	70-460146	Cap, Valve w/1/4" Gauge Port (Time Delay Shutdown Option) (All Except 301007D)	1
2	2-0053	Elbow, 1/2" JIC, 3/8", 90° (Auto Start/Stop Option)	2		70-460148	Cap, Valve w/1/4" Gauge Port (Time Delay Shutdown Option) (301007D)	1
3	2-0079	Swivel, 1/2" JIC x 3/8" Male	1	14	6-021720	Switch, Pressure, N/O, 1/4" NP (Time Delay Shutdown Option)	1
4	2-1060	Elbow, 1/2 "JIC x 3/8"	1	15	2-00510	Nipple, 1/2" JIC x 3/8" Female (Auto Start/Stop Option)	1
5	2-1006	Nipple, 1/2" Close	1	16	5-3027	Unloader, PA 8 GPM @3650 PSI, VB8, w/Switch (Auto Start/Stop Option)	1
6	2-1032	Tee, 1/2" Female Pipe	1	17	2-0031	Elbow, 3/8" Street (Auto Start/Stop Option)	2
7	2-1053	Nipple, 1/2" JIC x 1/2" MPT Pipe	1				
8	2-1062	Elbow, 1/2" JIC x 1/2", 90°	1				
9	2-1105	Swivel Push-On, 1/2" JIC Female	2				
10	4-02110000	Hose, 1/2" Push-On	18"				
11	2-3008150	Protector, Pump, 1/2", 190°	1				
12		Pump, See Specifications pages 20-21					

## HOSE & SPRAY GUN ASSEMBLY

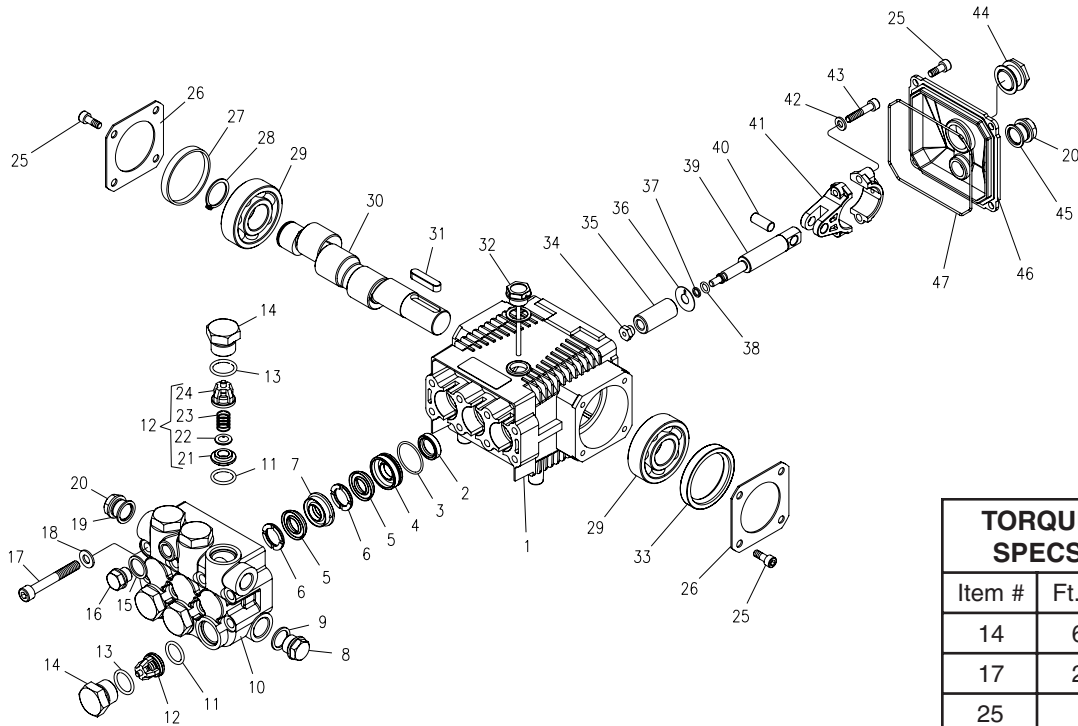


## HOSE & SPRAY GUN ASSEMBLY PARTS LIST

ITEM	PART NO.	DESCRIPTION	QTY	ITEM	PART NO.	DESCRIPTION	QTY
1	2-2002	Coupler, 3/8" Female	1	7	3-12021	Injector, Detergent Adj., 3-5 GPM 0.083	1
	2-0121	Quick Coupler O-Ring	1	8	2-2000	Coupler, 1/4" Female	1
2	4-02093450BC	Hose 3/8" x 50', 1 Wire Blue w/Coupler (CB)	1		2-0119	Quick Coupler O-Ring	1
3	4-01246	Spray Gun	1	9	4-02080000	Tube, 1/4" x 1/2" Clear Vinyl 6 ft.	
4	4-0110322	Wand w/Side grip	1	10	2-9040	Clamp, Hose	2
5	4-16540	Nozzle, Soap, Brass	1	11	2-1904	Strainer	1
6	Nozzle, See Exploded View Parts List						

## GD PUMP EXPLODED VIEW

5-1906 GD 3030H



TORQUE SPECS	
Item #	Ft.-lbs
14	65
17	22
25	8
34	9
43	13

## GD PUMP EXPLODED VIEW PARTS LIST

ITEM	PART NO.	DESCRIPTION	QTY	ITEM	PART NO.	DESCRIPTION	QTY
1	70-020292	Crankcase	1	18	70-140001	Washer	8
2*	See Kits Below	Plunger Oil Seal	3	19	70-060306	Copper Washer 3/8	1
3*	70-060181	O-Ring Ø1.78 x 28.30	3	20	70-160117	Brass Plug 3/8	2
4*	70-120131	Pressure Ring 15mm	3	25	70-180112	Screw	12
5*	See Kits Below	"V" Seal, 15mm	6	26	70-020318	Bearing Cover	2
6*	70-030048	Support Ring 15mm	6	27	70-020502	Bearing Seal	1
7*	70-030049	Intermed. Ring 15mm	3	28	70-150003	Snap Ring	1
8	70-160120	Brass Plug 1/2"	1	29	70-021300	Ball Bearing	2
9	70-060307	Copper Washer 1/2"	1	30	70-000605	Crankshaft	1
10	70-160228	Manifold Housing	1	31	70-020604	Crankshaft Key	1
11*	70-060155	O-Ring Ø1.78 x 15.54	6	32	70-160012	Oil Dipstick	1
12*	See Kits Below	Valve Assembly	6	33	70-000110	Crankshaft Seal	1
13*	70-060122	O-Ring Ø2.62 x 18.77	6	34*	70-030211	Plunger Nut	3
14	70-160147	Valve Plug	6	35*	70-120023	Plunger, 15mm	3
15	70-060308	Copper Washer 1/4	1	36*	70-140027	Copper Spacer	3
16	70-160121	Brass Plug G1/4	1	37*	70-060130	O-Ring Ø1.78 x 5.28	3
17	70-180118	Manifold Stud Bolt	8	38*	70-000913	Teflon Ring	3

## GD PUMP EXPLODED VIEW PARTS LIST (CONT)

ITEM	PART NO.	DESCRIPTION	QTY
39*	70-000320	Plunger Rod	3
40	70-150204	Connecting Rod Pin	3
41	70-010008	Connecting Rod	3
42	70-140102	Spring Washer	6
43	70-180132	Connecting Rod Screw	6
44	70-070005	Sight Glass	1
45	70-060302	Gasket	1
46	70-020352	Crankcase Cover	1
47	70-060104	O-Ring Ø2.62 x 107.62	

\* Available in kit (See below)

REPAIR KIT NUMBER	70-261408	70-261409	70-261404	70-260028	70-260826
KIT DESCRIPTION	*Plunger Seal 15mm	**Complete Seal Packing	Plunger 15mm	Complete Valve	Plunger Oil Seals
ITEM NUMBERS INCLUDED	3, 5, 6	2, 3, 4, 5, 6, 7	34, 35, 36, 37, 38	11, 12, 13	2
NUMBER OF CYLINDERS KIT WILL SERVICE	3	1	1	6	3

## SPECIFICATIONS

Model	Nozzle		Pump	Unloader	Pump	Pump Pulley	Pump	Bushing	Motor	Motor	Motor
	Size	Pump	Part No.	Part No.	Pulley	Part No.	Bushing	Part No.	Size	Voltage/ph	Hz
301007D	5.5	GD3030H	5-1906	5-3208	AK74H	5-40107401	24MM	5-512024	2HP	120V/1PH	60
402007A	06	GM4035HR	5-1922	5-3208	2AK74H	5-40207401	24MM	5-512024	6.2HP	230V/1PH	60
402007B	06	GM4035HR	5-1922	5-3208	2AK74H	5-40207401	24MM	5-512024	6.2HP	230V/3PH	60
402007C	06	GM4035HR	5-1922	5-3208	2AK74H	5-40207401	24MM	5-512024	6.2HP	460V/3PH	60
402007G	06	GM4035HR	5-1922	5-3208	2AK74H	5-40207401	24MM	5-512024	6.2HP	208V/1PH	60
402007H	06	GM4035HR	5-1922	5-3208	2AK74H	5-40207401	24MM	5-512024	6.2HP	208V/3PH	60
353007A	04	GM4035HR	5-1922	5-3208	2BK80H	5-40508001	24MM	5-512024	7.5HP	230V/1PH	60
353007B	04	GM4035HR	5-1922	5-3208	2BK80H	5-40508001	24MM	5-512024	7.5HP	230V/3PH	60
353007C	04	GM4035HR	5-1922	5-3208	2BK80H	5-40508001	24MM	5-512024	7.5HP	460V/3PH	60
353007G	04	GM4035HR	5-1922	5-3208	2BK80H	5-40508001	24MM	5-512024	7.5HP	208V/1PH	60
353007H	04	GM4035HR	5-1922	5-3208	2BK80H	5-40508001	24MM	5-512024	7.5HP	208V/3PH	60

## SPECIFICATIONS

Model	Motor Part No.	Pulley Pulley	Motor Part No.	Bushing Bushing	Bushing Part No.	Belt Size	Belt Part No.	Contactor Part No.	Overload Part No.	Transformer Part No.
3010D	5-1047	AK32x5/8	5-4013258	N/A	N/A	AX40 (1)	5-60240	6-4031	N/A	N/A
4020A	5-10401	2AK56H	5-40205601	HX1-1/8"	5-511113	AX42 (2)	5-602042	6-4018	N/A	6-60101
4020B	5-1011	2AK56H	5-40205601	HX1-1/8"	5-511113	AX42 (2)	5-602042	6-4010	6-5011	6-60101
4020C	5-1011	2AK56H	5-40205601	HX1-1/8"	5-511113	AX42 (2)	5-602042	6-4004	6-5010	6-60101
4020G	5-10402	2AK56H	5-40205601	HX1-1/8"	5-511138	AX42 (2)	5-602042	6-4018	6-5013	6-60141
4020H	5-10111	2AK56H	5-40205601	HX1-1/8"	5-511138	AX42 (2)	5-602042	6-4013	6-5011	6-60141
3530A	5-1013	2BK52H	5-40505201	HX1-3/8"	5-511138	BX43 (2)	5-604043	6-4018	6-5015	6-60101
3530B	5-10145	2BK52H	5-40505201	HX1-3/8"	5-511138	BX43 (2)	5-604043	6-4010	6-5011	6-60101
3530C	5-10145	2BK52H	5-40505201	HX1-3/8"	5-511138	BX43 (2)	5-604043	6-4004	6-5009	6-60101
3530G	5-10131	2BK52H	5-40505201	HX1-3/8"	5-511138	BX43 (2)	5-604043	6-4021	6-5015	6-60141
3530H	5-10144	2BK52H	5-40505201	HX1-3/8"	5-511138	BX43 (2)	5-604043	6-4013	6-5013	6-60141