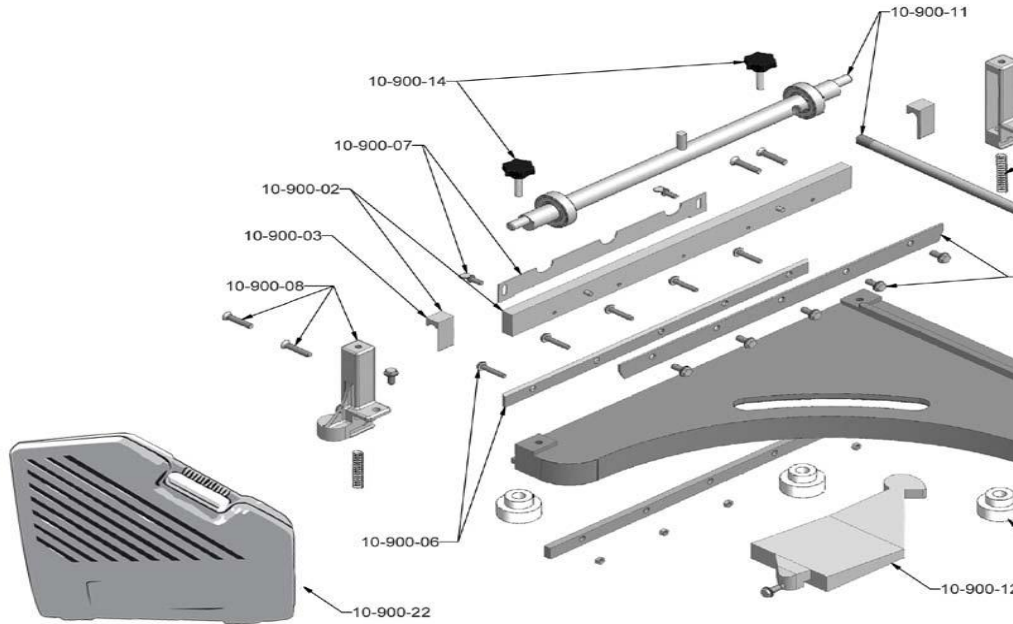


Roberts
Part # **Product Description**

12" VINYL TILE CUTTER 10-900

- 10-900-01 Base assembly
- 10-900-02 Blade carrier bar (with 10-900-03 pillow blocks)
- 10-900-03 Pillow blocks "L" shaped (set of 2)
- 10-900-04 Casters for the Base
- 10-900-05 Top cutting blade (with bolts)
- 10-900-06 Lower fixed blade (with bolts)
- 10-900-07 Floor guide (with 2 wing screws)
- 10-900-08 Left post (with screws)
- 10-900-09 Right post (with screws)
- 10-900-10 Return springs (set of 2)
- 10-900-11 Crankshaft with attached handle & grip
- 10-900-12 Tile Guide with wing screw
- 10-900-13 Rubber feet (set of 3) (attach for stationary use)
- 10-900-14 Crankshaft adjusting screw knobs (set of 2)
- 10-900-15 Handle grip (sold separately)
- 10-900-22 Carry case



QEPParts.com
 888-634-4289
 An iBuy Stores Company