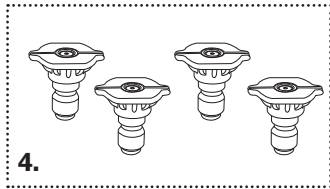


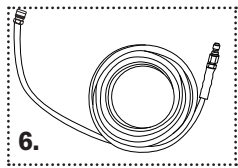


PRESSURE WASHER BREAKDOWN

BE317RA



4.



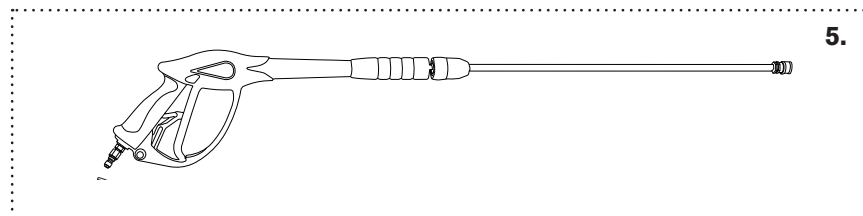
6.



1.

3.

2.



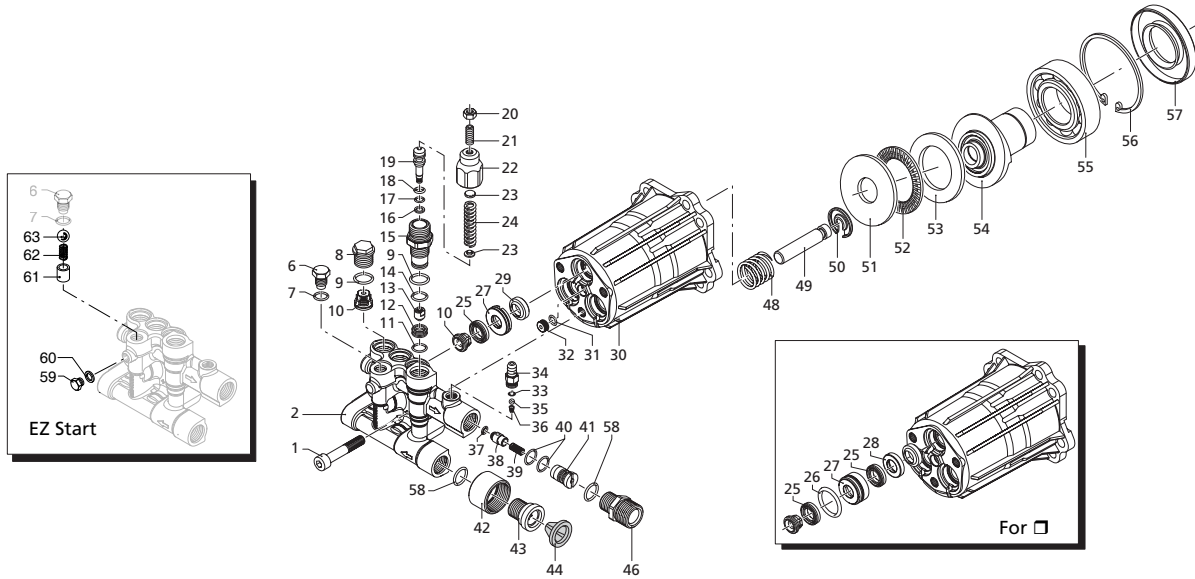
5.

REF #	DESCRIPTION	PART #
1	Frame (included)	85.600.122H
2	Engine - Powerease 208cc	85.565.070
3	Pump - RMV25G30D-EZ	85.120.039B
4	Nozzle Set	85.210.025
5	Gun & Wand	85.205.049
6	Hose 25' x 3/8"	85.225.229N

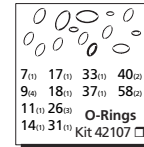
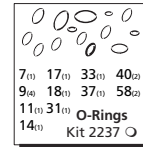
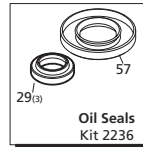
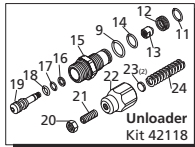


PRESSURE WASHER BREAKDOWN

BE317RA



Repair Kits



Pos	Code	Description	Qty.	Pos	Code	Description	Qty.
1	800220	Head bolt M8x45	(221 in/lbs) 3	37	1460430	O-Ring ø4x2.5	1
2	2840860	Pump head	□ 1	38	2849004	Jet	1
6	2840660	Pump head	○ 1	39	1343580	Spring	1
6	2840830	Plug	1	40	800560	O-Ring ø8.73x1.78	2
7	600180	O-Ring ø7.66x1.78	1	41	2840340	Detergent injector	1
8	2840130	Plug	(221 in/lbs) 3	42	2840270	Suction fitting 3/4" NH	1
8	2841530	Plug - Aluminum	(221 in/lbs) 3	43	2840390	Suction fitting	1
9	2841520	O-Ring ø14x1.7	4	44	1266330	Filter	1
10	2849050	Complete valve	6	46	2840400	Outlet fitting	1
11	1470210	O-Ring ø9x1	1	48	2840060	Spring	3
12	2840770	Seat	1	49	2840530	Piston	○ 3
13	2840760	By-pass jet	1	2840040	Piston	□ 3	
14	820510	O-Ring ø10.82x1.78	1	50	2840050	Ring	3
15	2840750	Piston guide	1	51	1980130	Thrust washer	1
16	2760210	Ring	1	52	1980250	Bushing	1
17	660190	O-Ring ø6.07x1.78	1	53	1980240	Thrust washer	1
18	2260100	O-Ring ø6.02x2.62	1	54	2840900	Hollow shaft	○ 1
19	2760400	Piston	1	2840730	Hollow shaft	□ 1	
20	1980300	Nut M6	1	55	161060	Bearing	1
21	392840	Grub screw M6x16	1	56	161050	Circlip øi72	1
22	2760480	Handle insert	1	57	2840310	Seal	1
23	1980220	Plate spring	2	58	2840890	O-Ring ø14x2	2
24	2760410	Spring	1	59	2840840	Plug (EZ start pump only)	1
25	2200141	Gasket	3 or 6	60	480650	Washer (EZ start pump only)	1
26	770590	O-Ring ø23.52x1.78	□ 3	61	2840441	Seat (EZ start pump only)	1
27	2840561	Bushing - Plastic	○ 3	62	2840450	Spring (EZ start pump only)	1
27	2840090	Bushing - Brass	○ 3	63	1060100	Ball (EZ start pump only)	1
28	2840550	Bushing - 2 pc brass	□ 3				
28	2840540	Bushing - 2 pc brass	□ 3				
29	1683500	Oil seal	3				
30	2840230	Housing	1				
31	480560	O-Ring ø6.75x1.78	1				
32	2840710	Oil plug	1				
33	480480	O-Ring ø4.48x1.78	2				
34	1982520	Hose nipple	1				
35	1250280	Ball	1				
36	1560520	Spring	1				

Special Parts / Kits		
Code	Description	Qty.
2841340	3/8 Quick Connect Outlet	1
42125	Chemical Injection Kit	1

Legend

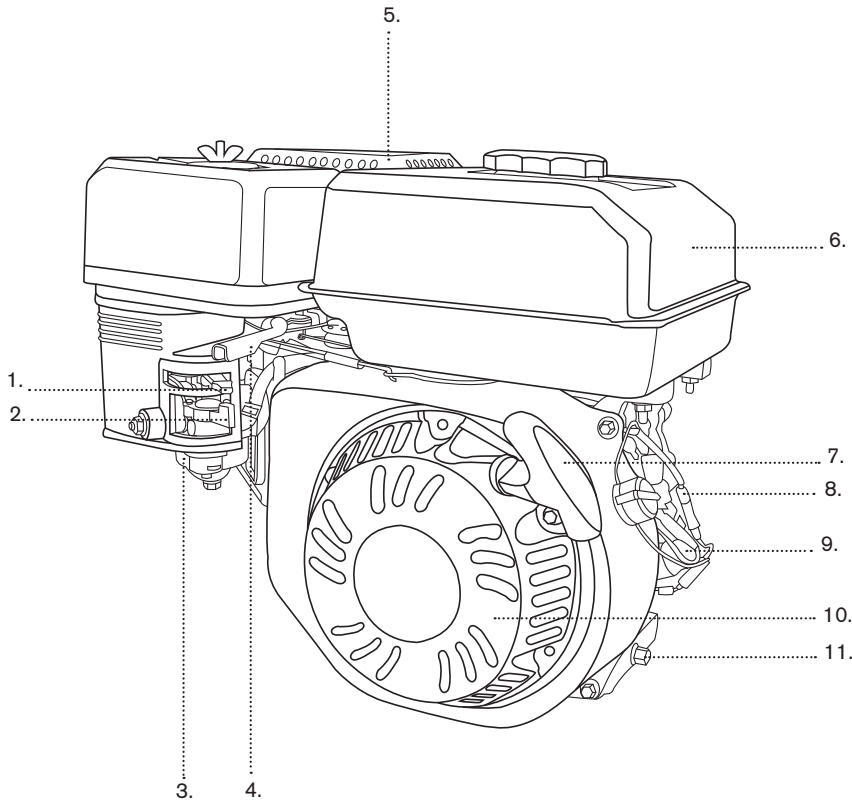
ø 12	ø 12
For ○	For □
RMV2G20	RMV2.5G25D
RMV2G25	RMV2.5G27D
RMV2G23B	RMV2.5G30D

AR64545 Oil
OIL CAPACITY - 2.2 OZ



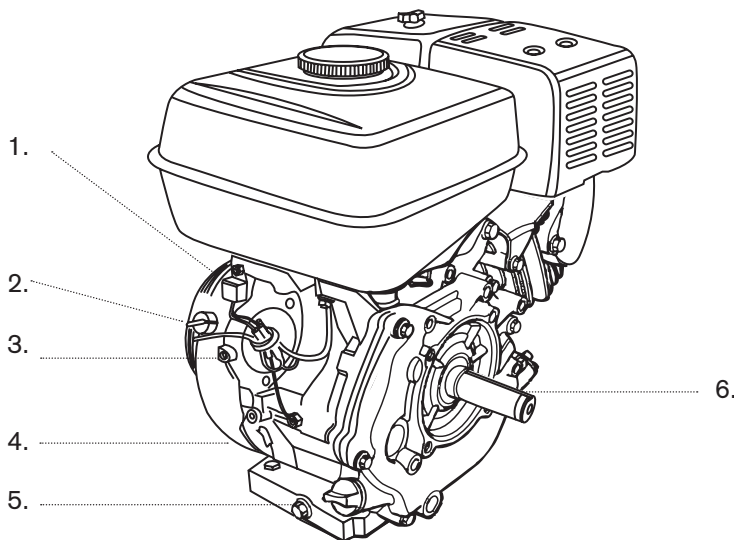
PRESSURE WASHER BREAKDOWN

BE317RA



FRONT

1. Choke Lever
2. Fuel Valve
3. Carburetor
4. Throttle Lever
5. Air Cleaner
6. Fuel Tank
7. Starter Handle
8. Spark Plug
9. Oil Dipstick
10. Recoil Start
11. Oil Drain Plug



BACK

1. Starter Handle
2. Engine Switch
3. Low Oil Sensor
4. Oil Dipstick
5. Oil Drain Plug
6. Oil Plug