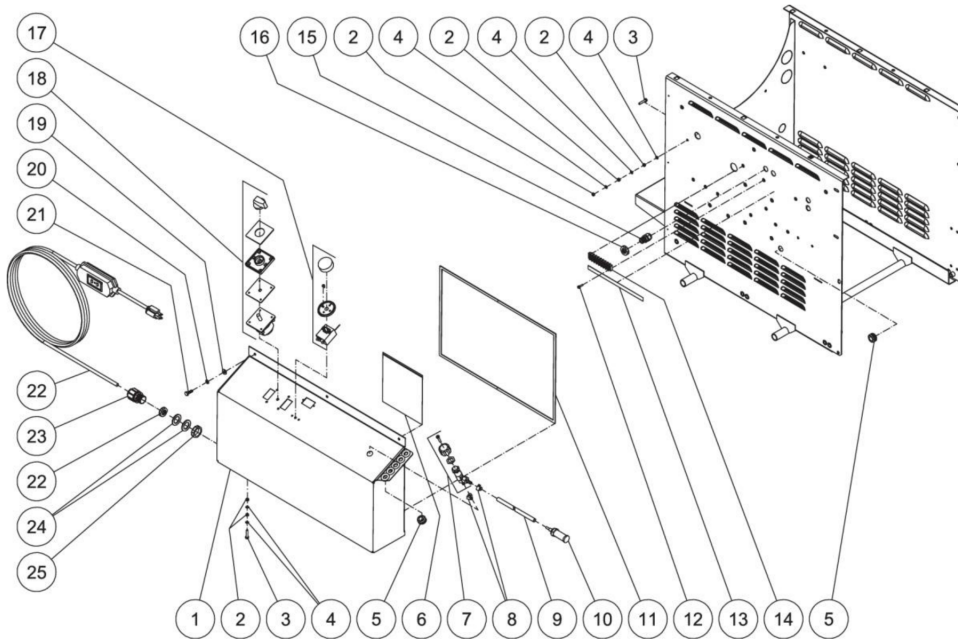




HHS-1002-1E1A / HHS-1002-1E1A (sn:0-99999999)

ELECTRIC BOX



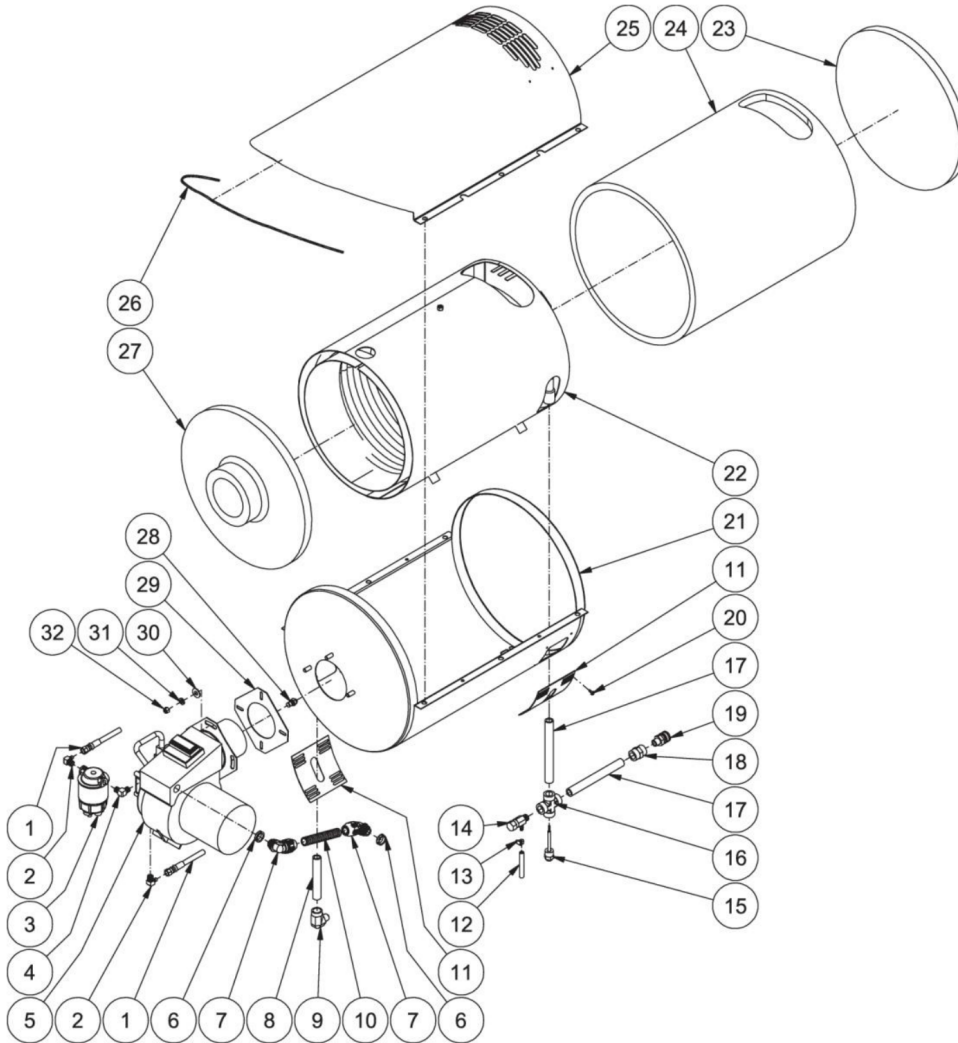
Id	Item #	Description	Quantity
1	20-0824A18	ELECTRIC BOX	1
2	30-6001	NUT	5
3	27-8807	BOLT	2
4	28-1009	STAR WASHER	5
5	33-0001	GROMMET	9
6	41-0184	PLASTIC ZIPLOCK BAG	1
7	22-0226	DETERGENT VALVE	1
8	42-0004	CLAMP WORM	2
9	15-0021	HOSE *(SIX FEET REQUIRED)	1
10	19-0056	STRAINER	1
11	26-0240	GASKET	1
12	27-8835	SCREW	2
13	N/A	DECAL - TERMINAL STRIP *(SEE 34-9037)	1
14	32-0436	TERMINAL STRIP	1
15	32-0586	STRAIN RELIEF (1002, 1003, 1502)	1
15	32-0586	STRAIN RELIEF (303-1E1A)	2

Id	Item #	Description	Quantity
16	32-0587	ELECTRICAL LOCKNUT (1002, 1003, 1502)	2
16	32-0587	ELECTRICAL LOCKNUT	2
17	32-0962	ADJUSTABLE THERMOSTAT (1002, 1003, 1502)	1
18	32-0679	CAM SWITCH (1003, 1502)	1
18	32-0434	CAM SWITCH (303-1E1A, 1002)	1
19	28-0002	WASHER	3
20	29-0006	LOCKWASHER	3
21	27-0015	BOLT	3
22	32-0268	ELECTRIC CORD W/ GFCI (303-1E1A)	1
22	32-0215	ELECTRIC CORD W/ GFCI (1002, 1003, 1502)	1
23	9-0046	CORD RELIEF (1002, 1003, 1502)	1
23	32-0437	CORD RELIEF (303-1E1A)	1
24	28-0051	WASHER (303-1E1A)	2
25	32-0292	ELECTRICAL LOCKNUT (1002, 1003, 1502)	1
25	32-0108	ELECTRICAL LOCKNUT (303-1E1A)	1
	34-9037	DECAL SET - HHS SERIES	1



HHS-1002-1E1A / HHS-1002-1E1A (sn:0-99999999)

HEAT EXCHANGER



Id	Item #	Description	Quantity
1	15-0147	FUEL HOSE	2
2	23-0237	ELBOW	2
3	19-0070	FUEL FILTER / WATER SEPERATOR	1
4	23-0130	ELBOW	1
5	4-0017	BURNER (2004/3004/3005-1E4/5G)	1
5	4-0018	BURNER SM 240VOLT (2004/3004/3005-1E2/3/8/9G)	1
5	4-0029	BURNER SM 115VOLT (1002/1003/1502-1E1G)	1
6	32-0108	ELECTRICAL LOCKNUT	2

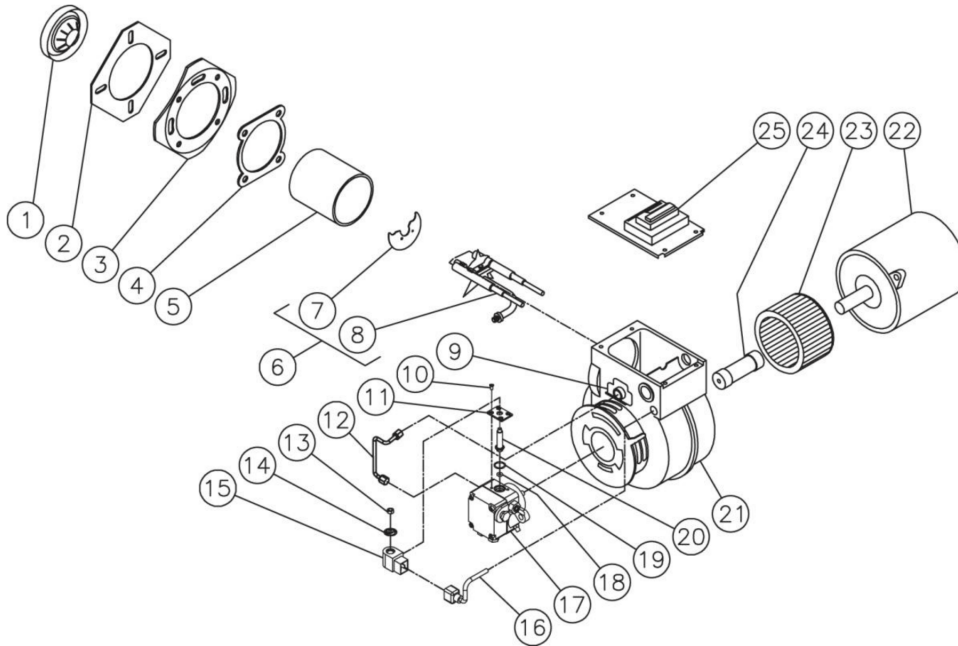
Id	Item #	Description	Quantity
7	32-0254	CONDUIT ELBOW	2
8	24-0245	PIPE NIPPLE	1
9	24-0240	ELBOW	1
10	32-0253	CONDUIT FLEX *(TWO FEET REQUIRED)	1
11	20-0537A18	PATCH PLATE	2
12	15-0008	FUEL HOSE *(TWO FEET REQUIRED)	1
13	42-0004	CLAMP WORM	1
14	22-0309	SAFETY RELIEF VALVE (3004/3005)	1
14	22-0308	PRESSURE RELIEF VALVE - 3500 PSI (1002/1502/1003/2004)	1
15	32-0962	ADJUSTABLE THERMOSTAT	1
16	24-0241	CROSS	1
17	24-0255	PIPE NIPPLE	2
18	24-0243	ADAPTER	1
19	17-0007	QUICK CONNECT SOCKET	1
20	27-3062	BOLT	8
21	20-0527A18	BOTTOM WRAP	1
22	66-0014	COIL	1
23	33-0346	INSULATION DISC (THREE FEET REQUIRED)	1
24	850-0279	INSULATION BLANKET	1
24	33-0032	INSULATION BLANKET - 24" X 57" LONG 1" THICK	1
25	21-0129	TOP WRAP	1
26	33-0020	EDGING *(THREE FEET REQUIRED)	1
27	33-0345	INSULATION DRUM HEAD	1
28	18-0090	FUEL NOZZLE (2004)	1
28	18-0091	NOZZLE SOLID OIL 2.0 80 DEG B (3004)	1
28	18-0093	NOZZLE SOLID OIL 2.50 80 DEG (3005)	1
28	18-0356	NOZZLE-FUEL 1.50 90 DEG A (1003)	1
28	18-0357	NOZZLE-FUEL 1.00 90 DEG A (1502/1002)	1
29	44-0108	GASKET	1
30	28-0023	WASHER	3
31	29-0008	LOCKWASHER	3
32	30-0006	NUT	3

*MUST ORDER IN ONE FOOT LENGTHS



HHS-1002-1E1A / HHS-1002-1E1A (sn:0-99999999)

BURNER ASSEMBLY



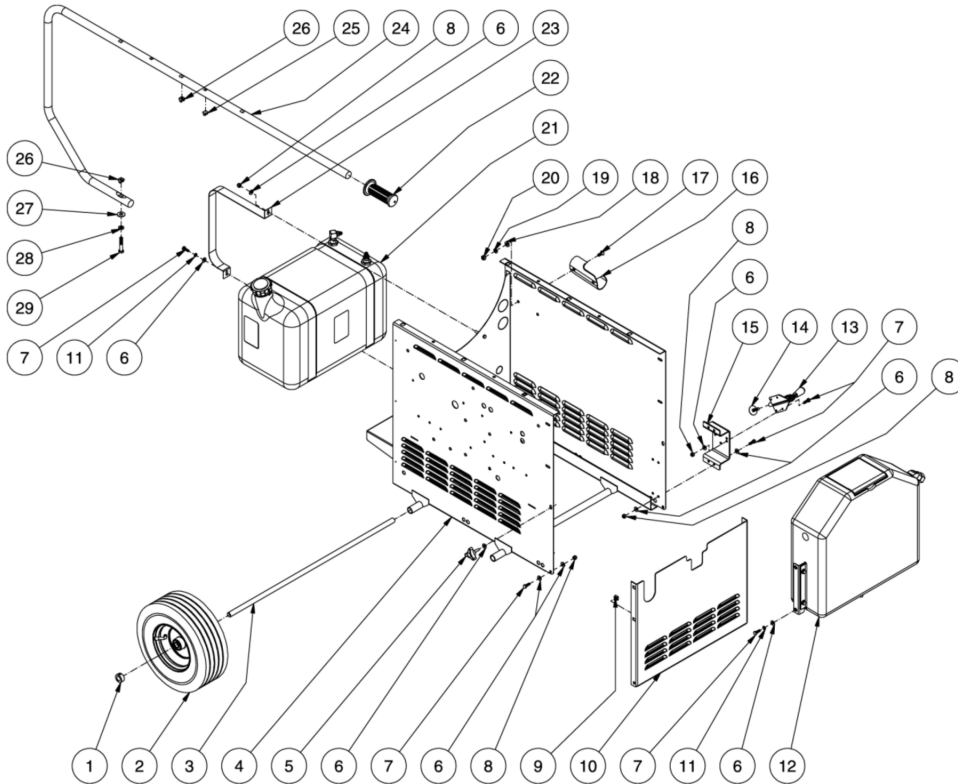
Id	Item #	Description	Quantity
1	44-0163	BURNER HEAD	1
2	44-0108	MOUNTING GASKET	1
3	44-0109	FLANGE	1
4	26-0138	GASKET	1
5	44-0110	AIR TUBE	1
6	44-0113	NOZZLE LINE ASSEMBLY	1
7	44-0027	STATIC PLATE	1
8	44-0114	ELECTRODE KIT	1
9	44-0031	ESCUTCHEON PLATE	1
10	N/A	SCREW	1
11	46-1004	BASE PLATE	1
12	44-0026	FUEL LINE	1
13	46-1016	PISTON NUT	1
14	N/A	SPRING WASHER	1
15	46-1020	FUEL SOLENOID	1
16	44-0122	CORD SET	1

Id	Item #	Description	Quantity
17	3-0236	FUEL PUMP	1
18	N/A	O-RING	1
19	N/A	O-RING	1
20	46-1343	SOLENOID PISTON	1
21	44-0033	BURNER HOUSING	1
22	2-0068	MOTOR	1
23	44-0071	BLOWER WHEEL	1
24	44-0014	COUPLER	1
25	44-0017	IGNITION TRANSFORMER	1



HHS-1002-1E1A / HHS-1002-1E1A (sn:0-99999999)

CHASSIS ASSEMBLY



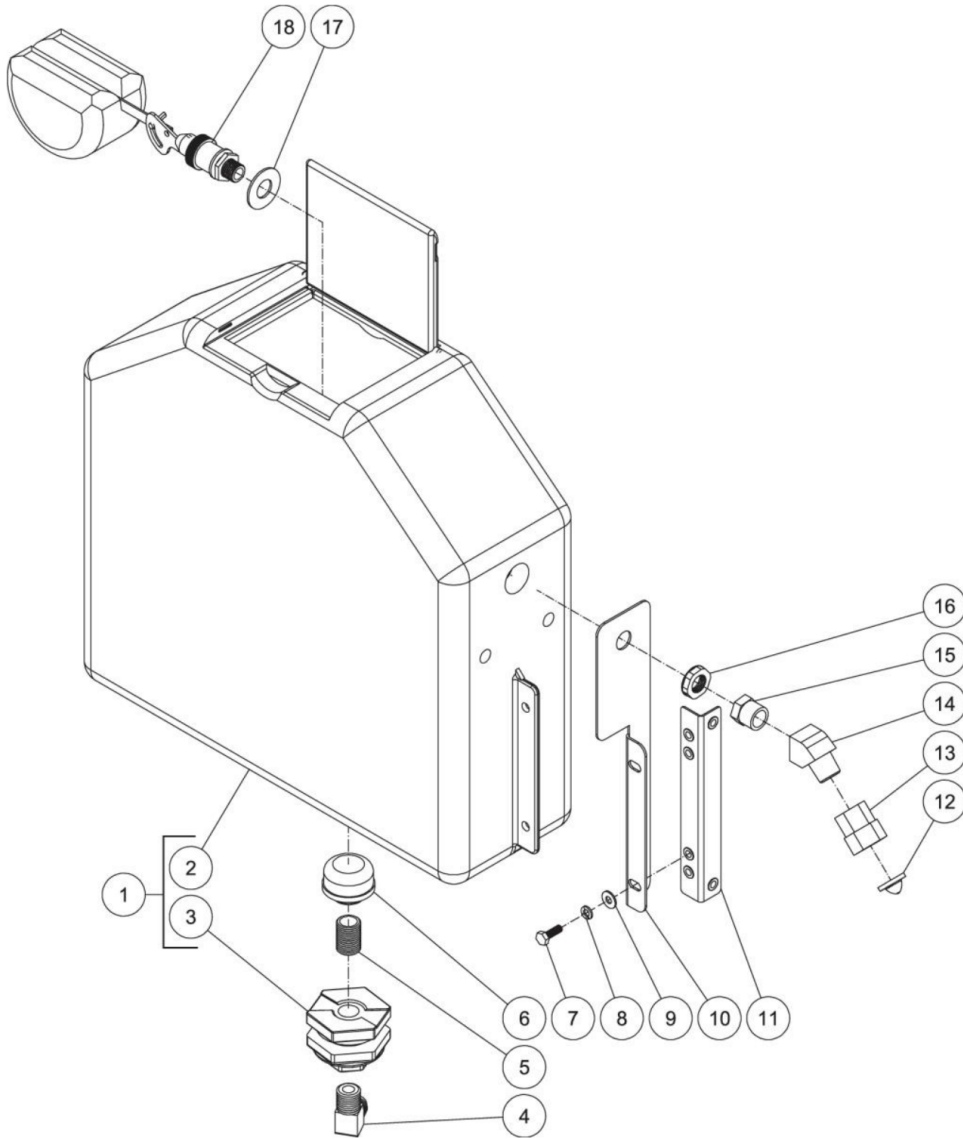
Id	Item #	Description	Quantity
1	33-0351	COLLAR W/ SET SCREW	4
2	14-0006	WHEEL	4
3	20-0524	AXLE	2
4	5-0230A18	CHASSIS ASSEMBLY	1
5	7-0168	3-PRONG KNOB	2
6	28-0002	FLATWASHER	26
7	27-0015	BOLT	16
8	30-0155	HEX NUT	12
9	30-6026	CLIP NUT	2
10	20-0525A18	ACCESS DOOR	1
11	29-0006	LOCKWASHER	6
12	N/A Sep.	FLOAT TANK ASSEMBLY (SEE EXPLODED DRAWING)	1
13	33-0400	PUSH/PULL BRAKE	1

Id	Item #	Description	Quantity
14	27-9550	ELEVATOR BOLT	1
15	20-0825A18	BRAKE BRACKET	1
16	20-0870A18	WAND HOLDER	1
17	27-0418	BOLT	2
18	28-0003	FLATWASHER	2
19	29-0007	LOCKWASHER	2
20	30-0005	NUT	2
21	850-0303	FUEL TANK ASSEMBLY	1
22	7-0167	HANDLE GRIP	2
23	20-0598A18	FUEL TANK STRAP	2
24	7-0166A18	HANDLE	2
25	30-6027	CLIP NUT	4
26	30-6025	CLIP NUT	8
27	28-0023	WASHER	2
28	29-0008	LOCKWASHER	2
29	27-0121	BOLT	2



HHS-1002-1E1A / HHS-1002-1E1A (sn:0-99999999)

FLOAT TANK



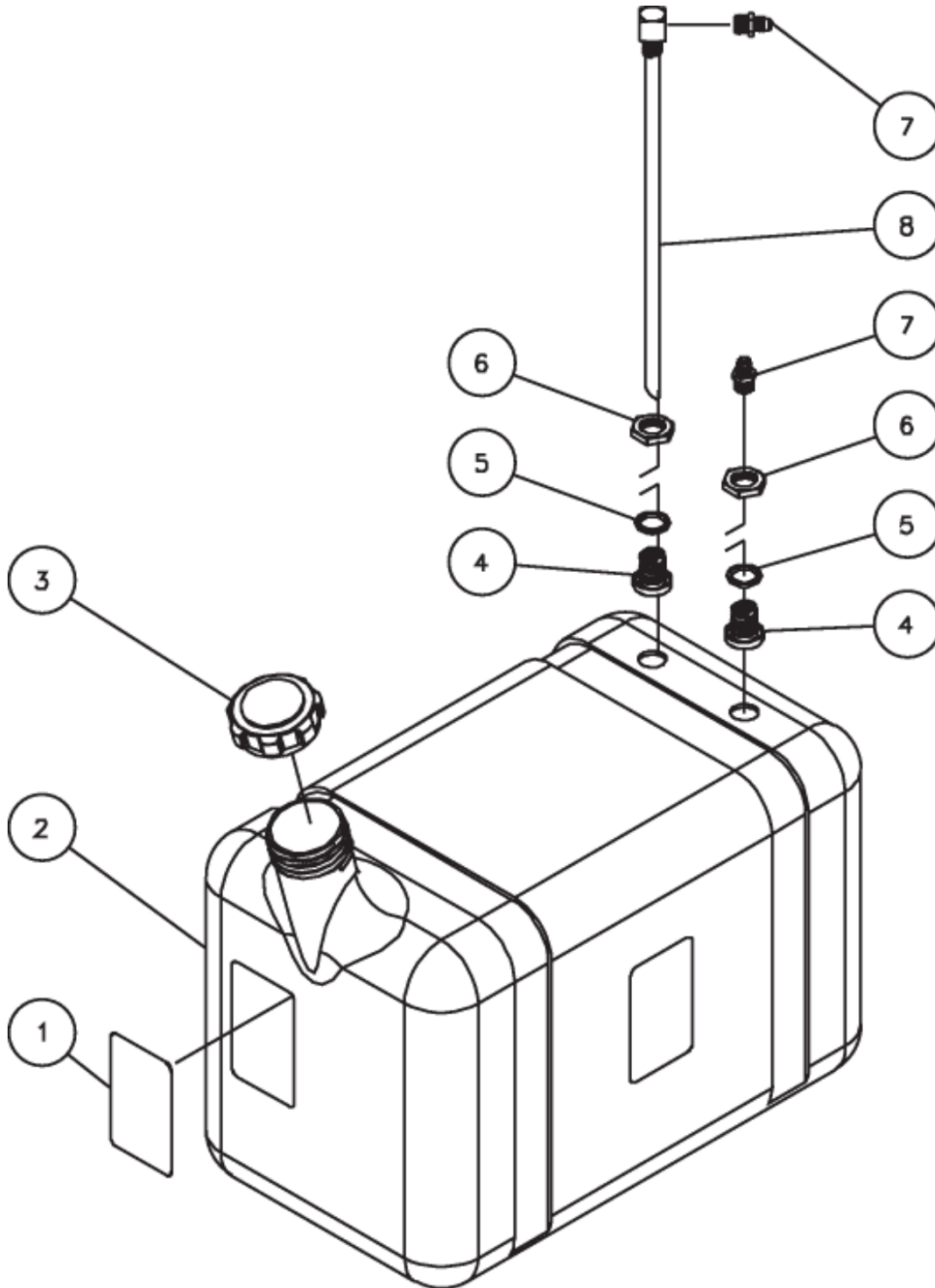
Id	Item #	Description	Quantity
1	850-0321	FLOAT TANK ASSEMBLY (INC. 1-2)	1
2	N/A	FLOAT TANK	1
3	55-0886	BULKHEAD	1
4	23-0389	ELBOW	1
5	23-0019	NIPPLE	1
6	19-0203	STRAINER	1

Id	Item #	Description	Quantity
7	27-0015	BOLT	4
8	29-0006	LOCKWASHER	4
9	28-0002	WASHER	4
10	20-0911A18	BRACKET	1
11	20-0599A18	BRACKET	2
12	19-0001	FILTER	1
13	23-0001	SWIVEL	1
14	23-0344	ELBOW	1
15	23-0016	REDUCER BUSHING	1
16	23-0138	NUT	1
17	28-0050	WASHER	1
18	850-0238	FLOAT VALVE - MODIFIED	1



HHS-1002-1E1A / HHS-1002-1E1A (sn:0-99999999)

FUEL TANK ASSEMBLY



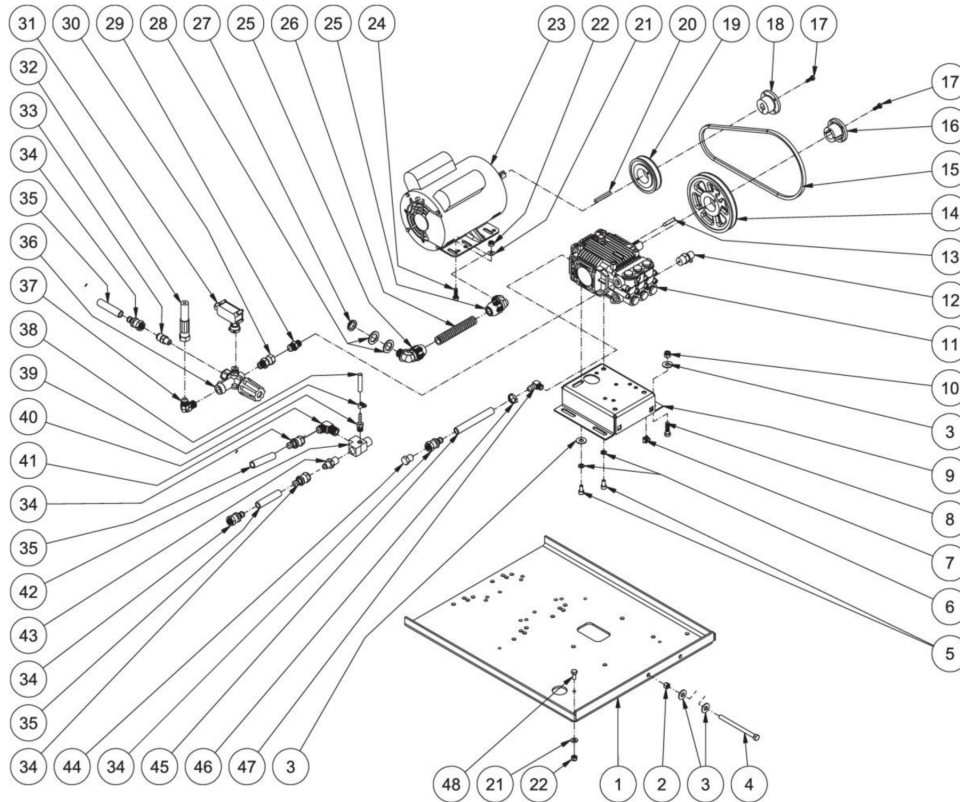
Id	Item #	Description	Quantity
1	34-1034	DECAL- CAUTION: RISK OF FIRE	1
2	12-0126	FUEL TANK	1
3	12-0033	VENTED FUEL CAP	1

Id	Item #	Description	Quantity
4	23-0408	BULKHEAD FITTING	2
5	25-0427	O-RING	2
6	23-0409	NUT	2
7	23-0247	FLARE FITTING	2
8	33-0352	FUEL PICK-UP	1



HHS-1002-1E1A / HHS-1002-1E1A (sn:0-99999999)

MOTOR/PUMP ASSEMBLY



Id	Item #	Description	Quantity
1	5-0152A18	MOTOR PUMP BASEPLATE	1
2	30-0006	NUT	2
3	28-0023	WASHER	9
4	27-0133	BOLT	2
5	27-8884	BOLT (A)	4
5	27-8471	BOLT (G)	4
6	29-0054	LOCKWASHER (A)	4
6	29-0055	LOCKWASHER (G)	4
7	30-6025	CLIP NUT	2
8	27-0118	BOLT	4
9	5-0153A18	PUMP HAT	1
10	30-0159	LOCKNUT	4
11	3-0210	PUMP (A)	1

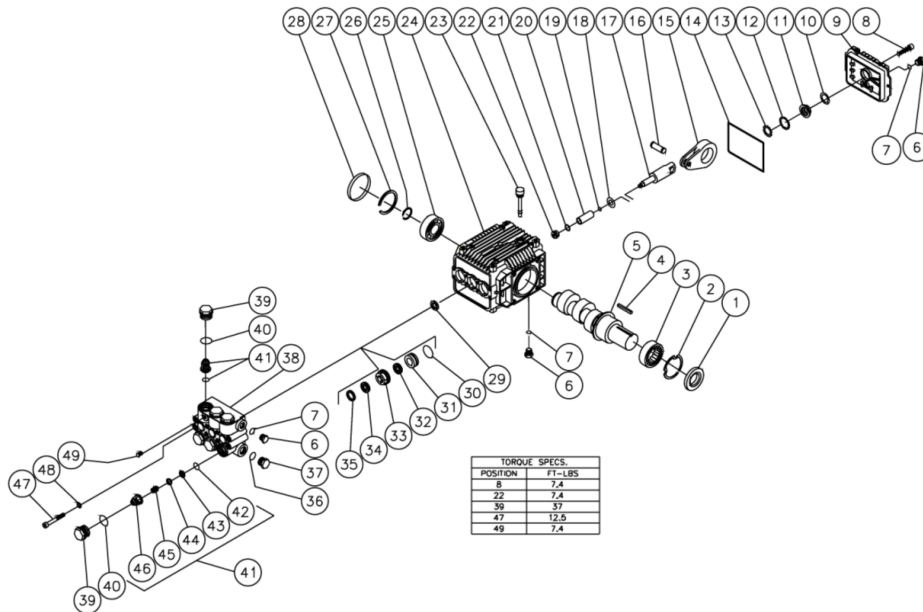
Id	Item #	Description	Quantity
11	3-0005	PUMP (G)	1
12	22-0414	HEAT DUMP VALVE	1
13	43-0091	PUMP KEY (A)	1
13	43-0048	PUMP KEY (G)	1
14	10-0103	SHEAVE	1
15	11-0023	BELT	1
16	9-0017	BUSHING	1
17	27-0015	BOLT	4
18	9-0037	BUSHING	1
19	10-0049	SHEAVE (A)	1
19	10-0080	SHEAVE (G)	1
20	43-0078	KEY	1
21	28-0003	WASHER	5
22	30-0157	LOCKNUT	5
23	2-0118	MOTOR	1
24	27-0067	BOLT	4
25	32-0254	CONDUIT ELBOW	2
26	32-0253	CONDUIT FLEX *(THREE FEET REQUIRED)	1
27	32-0108	LOCKNUT W/CONDUIT ELBOW	1
28	28-0051	WASHER	2
29	24-0002	NIPPLE	1
30	24-0037	SWIVEL	1
31	22-0171	PRESS SWITCH	1
32	15-0221	HIGH PRESSURE HOSE ASSEMBLY	1
33	23-0370	NIPPLE	1
34	23-0360	HOSE BARB	5
35	15-0200	HOSE *(THREE FEET REQUIRED)	1
36	850-0252	UNLOADER	1
37	24-0092	ELBOW	1
38	15-0021	HOSE *(ONE FOOT REQUIRED)	1
39	42-0004	CLAMP WORM	1
40	23-0051	BARB	1
41	23-0389	ELBOW	1
42	23-0388	STREET TEE	1
43	23-0361	NIPPLE	1
44	23-0411	PLUG	1
45	15-0007	HOSE *(ONE FOOT REQUIRED)	1
46	42-0011	HOSE CLAMP	1
47	23-0119	ELBOW	1

Id	Item #	Description	Quantity
48	27-0066	BOLT	1



HHS-1002-1E1A / HHS-1002-1E1A (sn:0-99999999)

PUMP ASSEMBLY



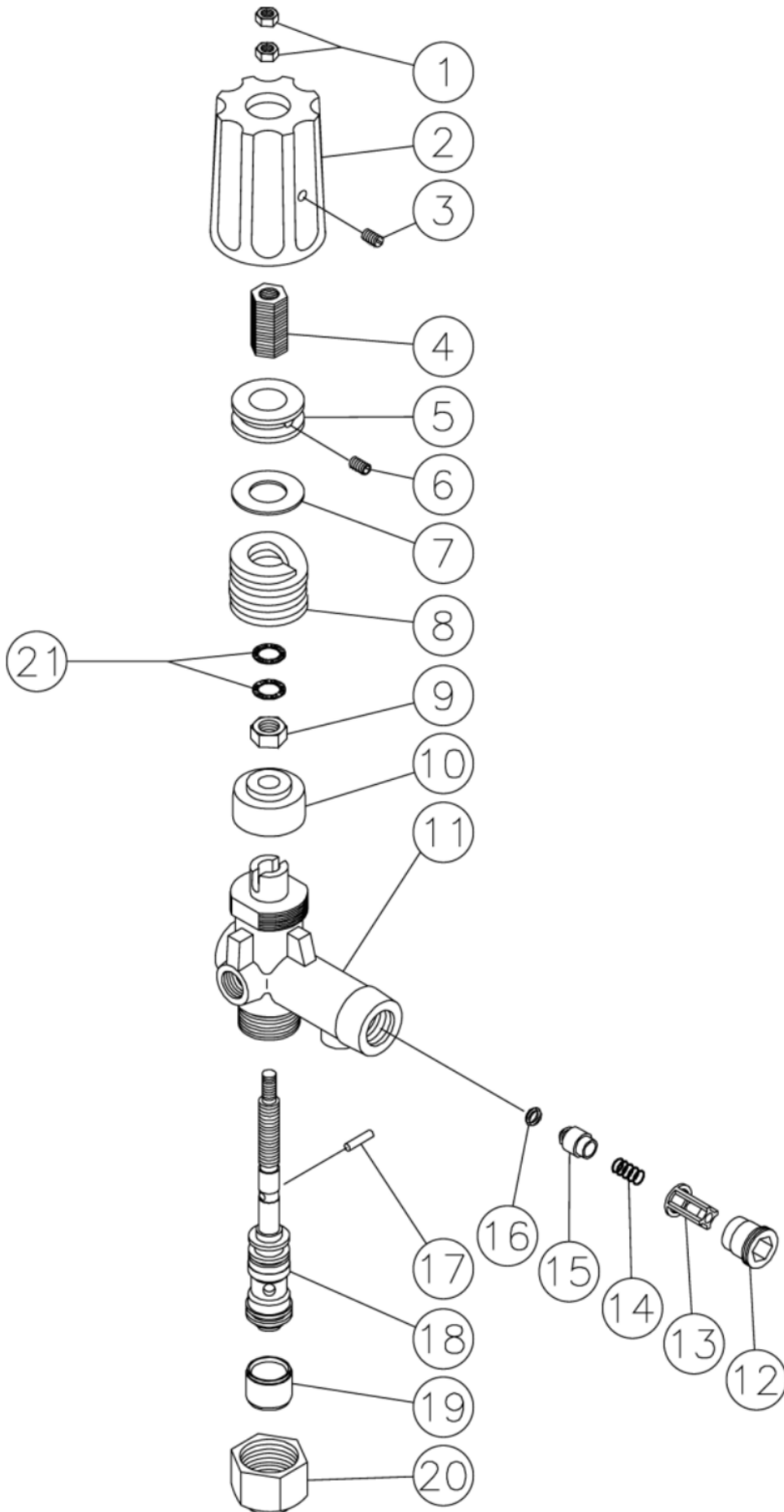
Id	Item #	Description	Quantity
1	26-0250	OIL SEAL	1
2	46-0667	RETAINING RING	1
3	48-0059	BEARING	1
4	43-0091	KEY	1
5	46-0754	CRANKSHAFT	1
6	39-0086	PLUG	3
7	25-0325	O-RING	3
8	27-8888	BOLT	6
9	46-0719	CRANKCASE COVER	1
10	25-0370	O-RING	1
11	46-0670	OIL SIGHT GLASS	1
12	46-0824	REFLECTOR	1
13	46-0671	RETAINER	1
14	25-0398	O-RING	1
15	46-0720	CONNECTING ROD	3
16	46-0721	PISTON PIN	3

Id	Item #	Description	Quantity
17	46-0722	PLUNGER ROD	3
18	28-1022	WASHER	3
19	25-0371	O-RING	3
20	46-0723	PISTON	3
21	26-0187	WASHER	3
22	30-6016	NUT	3
23	39-0090	OIL DIPSTICK	1
24	46-0724	CRANKCASE	1
25	48-0063	BEARING	1
26	46-0732	RETAINING RING	1
27	46-0676	RETAINING RING	1
28	46-0725	BEARING CAP	1
29	26-0193	OIL SEAL	3
30	25-0399	O-RING	3
31	46-0726	RETAINER	3
32	N/A Sep.	LOW PRESSURE SEAL (SEE 70-0181)	3
33	46-0728	PACKING RETAINER	3
34	N/A Sep.	V-PACKING (SEE 70-0181)	3
35	N/A Sep.	SUPPORT RING (SEE 70-0182)	3
36	25-0372	O-RING	1
37	39-0088	PLUG	1
38	46-0730	MANIFOLD	1
39	39-0087	VALVE CAP	6
40	25-0160	O-RING	6
41	N/A Sep.	SINGLE VALVE ASSEMBLY (INC. 42-46) (SEE 70-0161)	6
42	25-0386	O-RING	6
43	N/A Sep.	VALVE SEAT (SEE 70-0161)	6
44	N/A Sep.	VALVE PLATE (SEE 70-0161)	6
45	N/A Sep.	VALVE SPRING (SEE 70-0161)	6
46	N/A Sep.	VALVE CAGE (SEE 70-0161)	6
47	27-8875	HEAD BOLT	8
48	29-0153	LOCKWASHER	8
49	39-0097	PLUG	1
KIT	70-0181	HIGH PRESSURE SEALS (INC. 3 EACH 30, 32, 34)	
KIT	70-0182	SUPPORT RINGS (INC. 3 EACH 35)	
KIT	70-0161	VALVES (INC. 6 EACH 42-46)	



HHS-1002-1E1A / HHS-1002-1E1A (sn:0-99999999)

UNLOADER

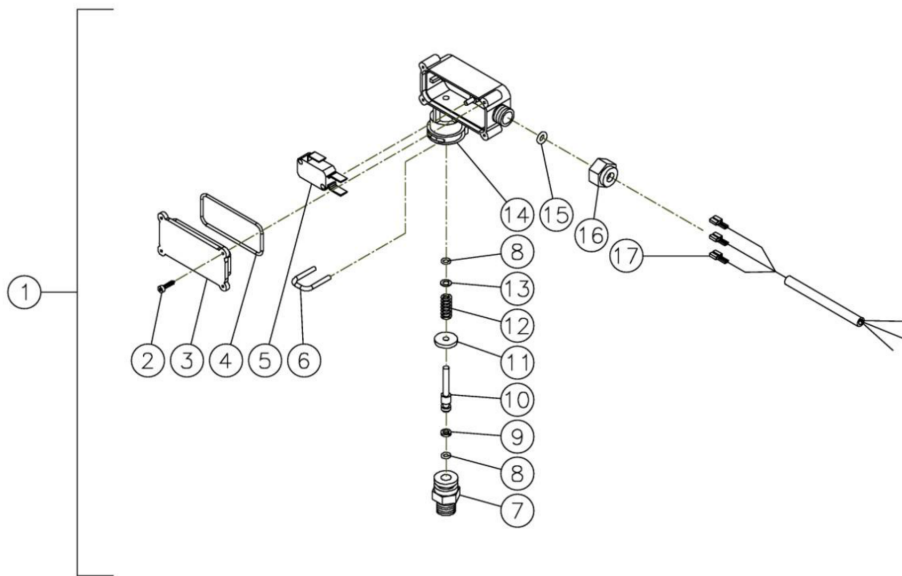


Id	Item #	Description	Quantity
1	8-0362	HEX NUT	2
2	7-0098	COVER	1
3	27-4280	SET SCREW	1
4	8-0363	ADJUSTING INSERT- BRASS	1
5	8-0364	ADJUSTMENT NUT	1
6	8-0365	SET SCREW	1
7	8-0366	GLIDE RING	1
8	49-0104	SPRING	1
9	8-0367	HEX NUT	1
10	8-0368	BUSHING	1
11	8-0369	UNLOADER BODY	1
12	8-0269	RETAINER	1
13	8-0104	VALVE HOUSING	1
14	49-0023	SPRING	1
15	8-0105	VALVE	1
16	25-0036	O-RING	1
17	8-0372	CYLINDER PIN	1
18	70-0243	PISTON REPAIR KIT	1
19	8-0371	SPACER	1
20	8-0157	STOP NUT	1
21	29-0154	WASHER	2
	70-0244	CHECK VALVE REPAIR KIT (INCLUDES 13-16)	



HHS-1002-1E1A / HHS-1002-1E1A (sn:0-99999999)

PRESSURE SWITCH



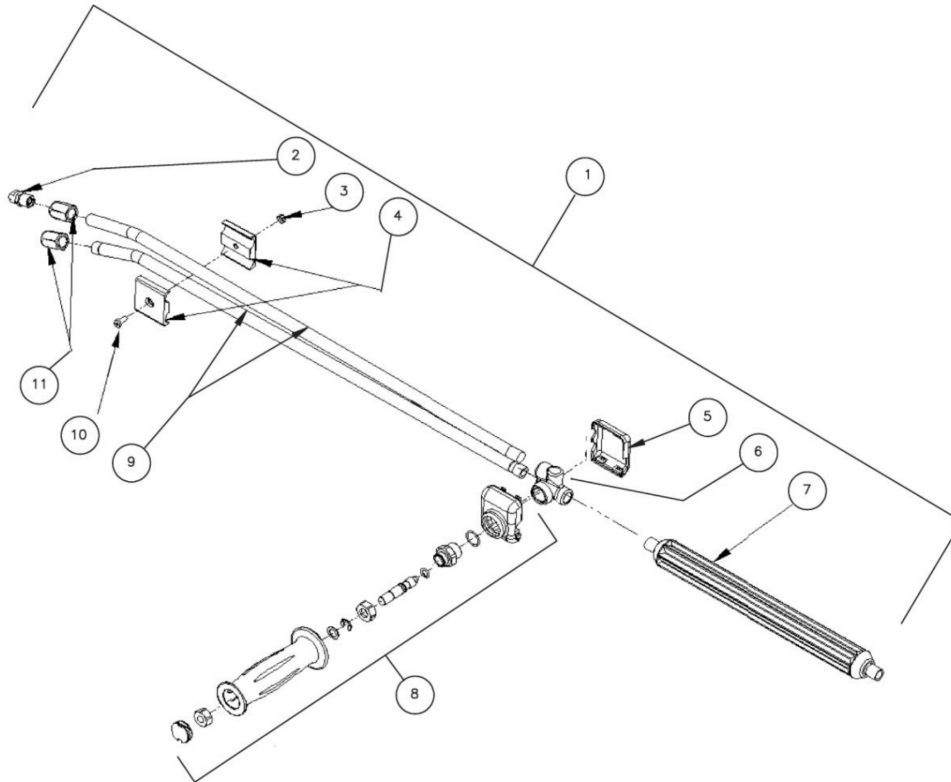
Id	Item #	Description	Quantity
1	22-0171	PRESSURE SWITCH	1
2	N/A	SCREW	4
3	N/A	COVER	1
4	N/A Sep.	O-RING (SEE 70-0306)	1
5	N/A	MICRO SWITCH	1
6	N/A	RETAINER CLIP	1
7	N/A	BODY	1
8	N/A Sep.	O-RING (SEE 70-0306)	2
9	N/A Sep.	BACK-UP RING (SEE 70-0306)	1
10	N/A	PISTON	1
11	N/A	WASHER	1
12	49-0144	SPRING	1
13	N/A	WASHER	1
14	N/A	PLASTIC HOUSING	1
15	N/A Sep.	O-RING (SEE 70-0306)	1
16	N/A	NUT	1

Id	Item #	Description	Quantity
17	N/A	WIRE ASSEMBLY	1
	70-0306	O-RING REPAIR KIT (INC. 4, 8-9, 15)	



HHS-1002-1E1A / HHS-1002-1E1A (sn:0-99999999)

GUN/WAND/HOSE ASSEMBLY



Id	Item #	Description	Quantity
1	16-0416	DUAL LANCE ASSEMBLY - 36" (INC. 2-11)	1
1	16-0417	DUAL LANCE ASSEMBLY - 48" (INC. 2-11)	1
2	18-0110	DETERGENT NOZZLE	1
3	30-6001	NUT	1
4	16-0420	CLAMP	2
5	N/A Sep.	LOWER VALVE COVER (SEE 16-0416 OR 16-0417)	1
6	N/A Sep.	HOUSING (SEE 16-0416 OR 16-0417)	1
7	16-0419	LANCE	1
8	70-0419	HANDLE REPAIR KIT	1
9	N/A Sep.	LANCE (SEE 16-0416)	2
9	N/A Sep.	LANCE (SEE 16-0417)	2
10	27-8196	SCREW	1

Id	Item #	Description	Quantity
11	24-0280	NOZZLE ADAPTER	2