



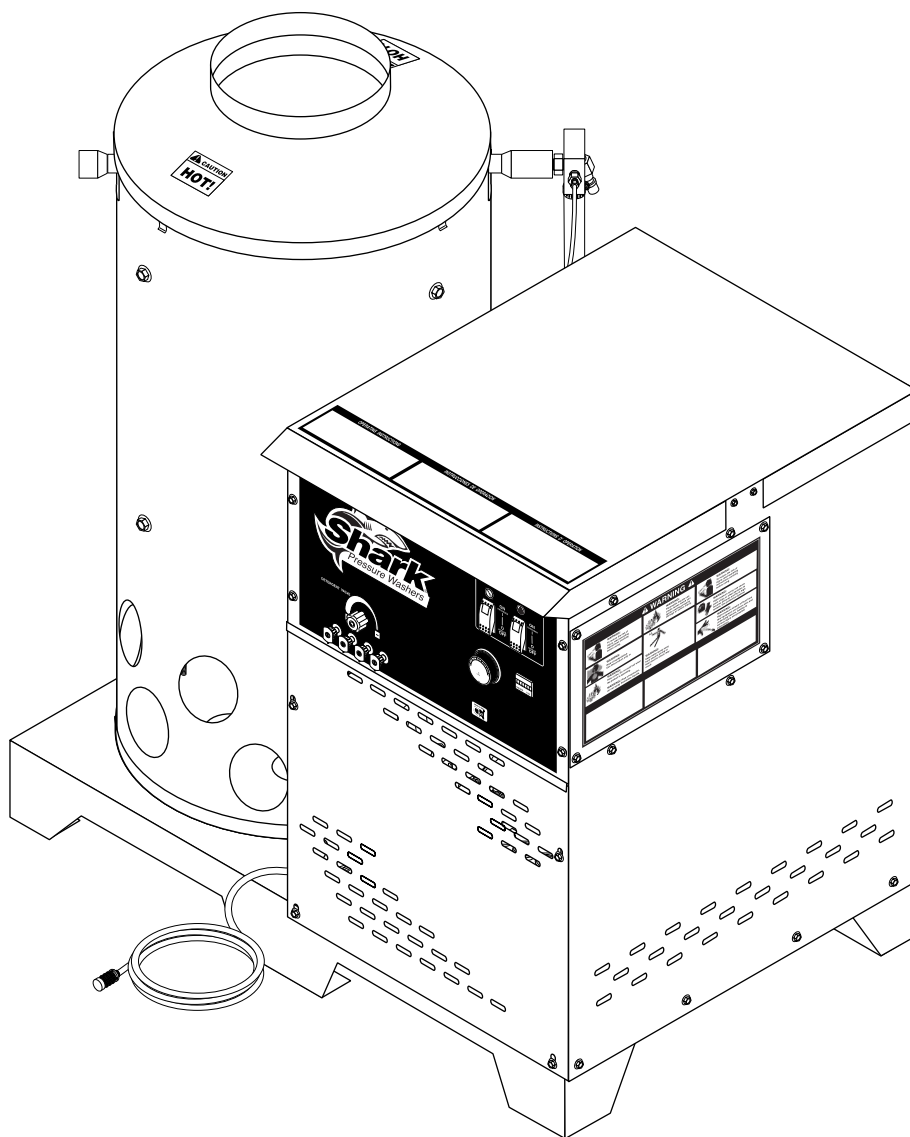
# HNG

## OPERATOR'S MANUAL

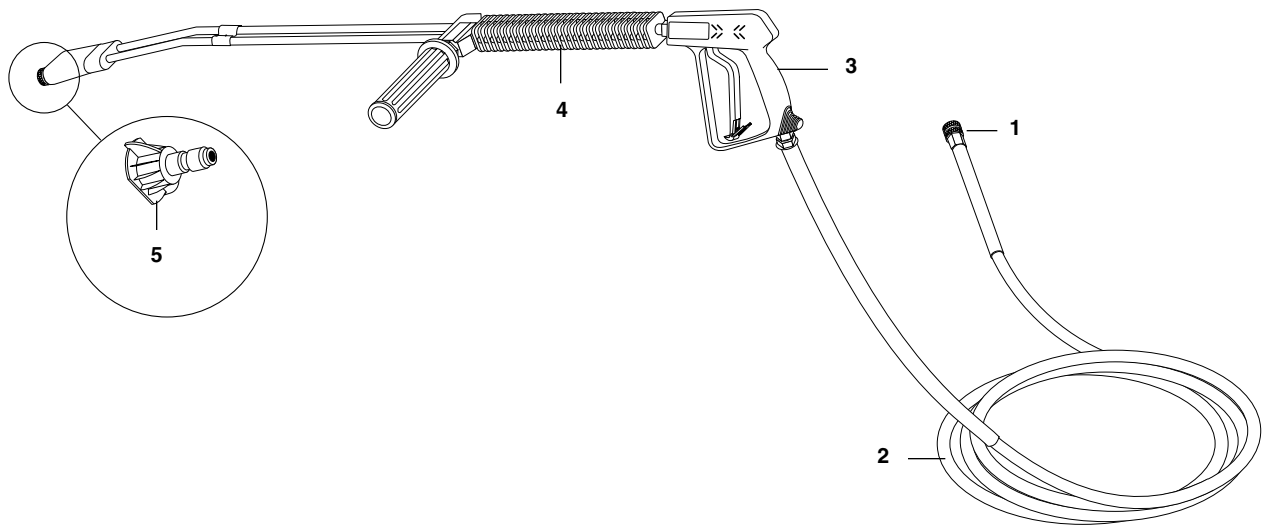
■ HNG-3010

■ HNG-4020

■ HNG-3530



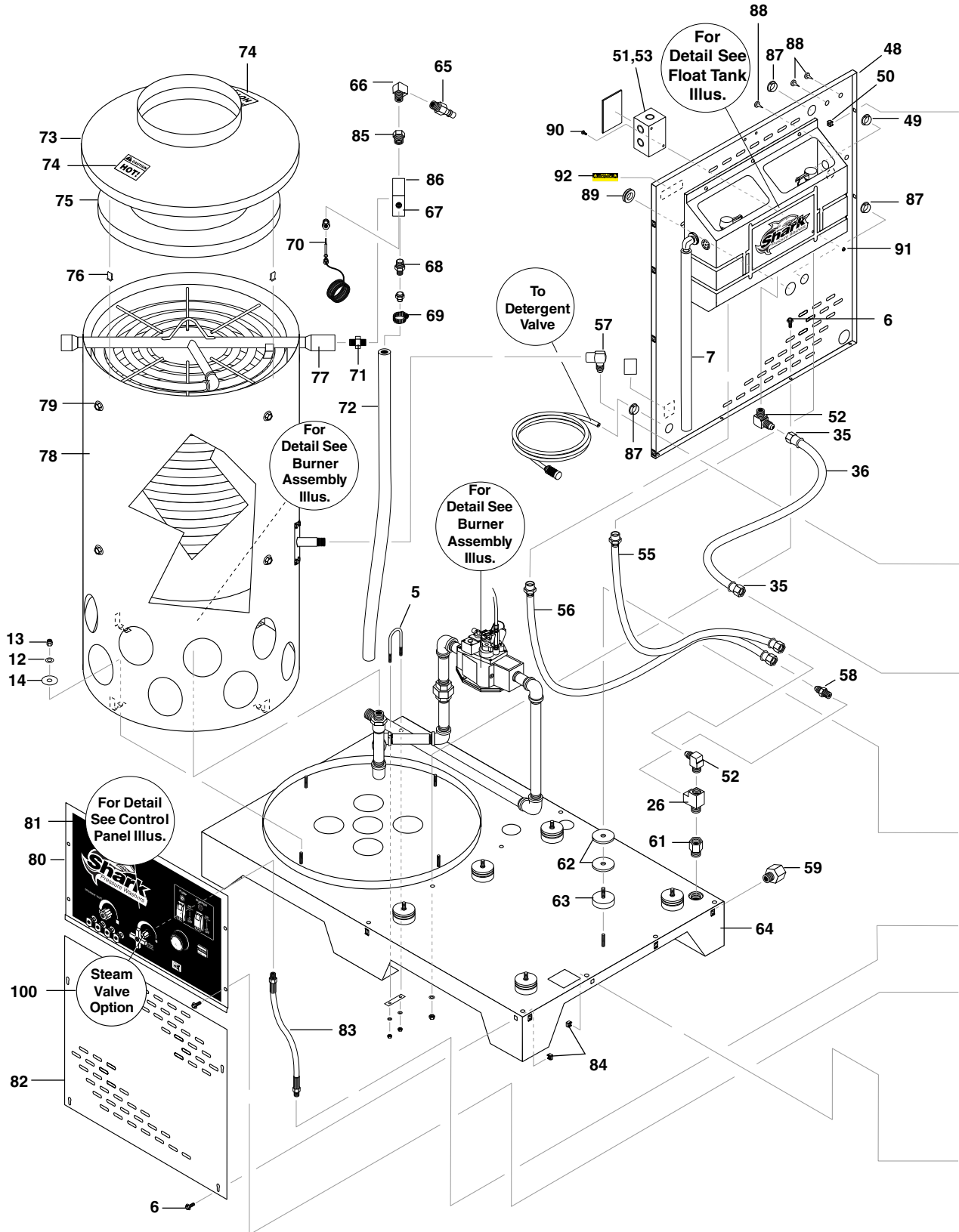
## HOSE & SPRAY GUN ASSEMBLY ALL MODELS



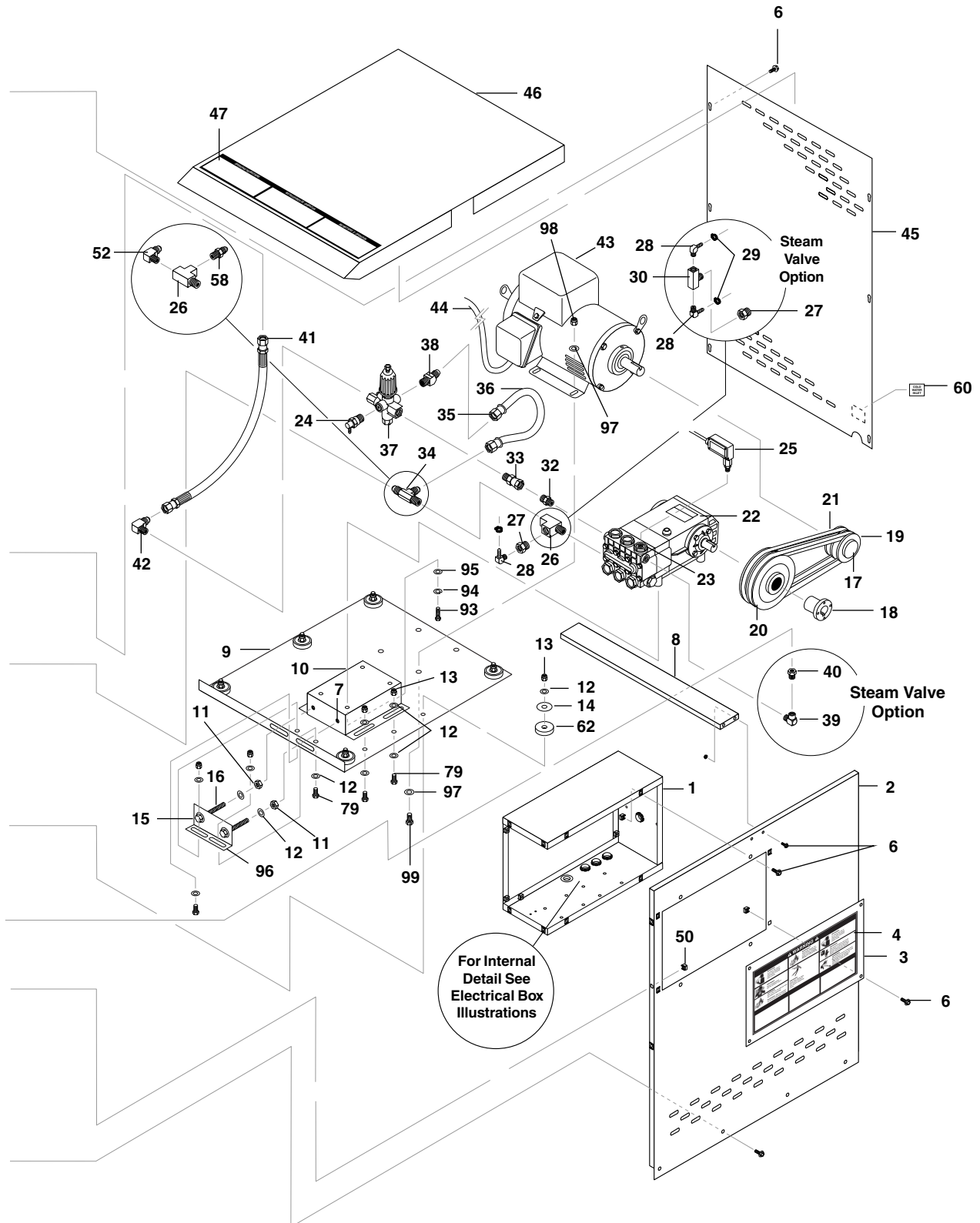
ITEM	PART NO.	DESCRIPTION	QTY
1	2-2002	Coupler, 3/8" Female	1
2	4-02093450BC	Hose 3/8" x 50', 1 Wire Blue, w/Coupler	1
3	4-01246	Spray Gun, Shut-Off AP-1000	1
4	4-0111341A	Wand, V.P. w/Coupler & Nozzles	1
5	4-12805500	Nozzle, SAQCMEG 0005.5, Red (301001D, 301007D, 402001A, 402007A)	1
	4-12805515	Nozzle, SAQCMEG 1505.5, Yellow (301001D, 301007D, 402001A, 402007A)	1
	4-12805525	Nozzle, SAQCMEG 2505.5, Green (301001D, 301007D, 402001A, 402007A)	1

ITEM	PART NO.	DESCRIPTION	QTY
5	4-12805540	Nozzle, SAQCMEG 4005.5, White (301001D, 301007D, 402001A, 402007A)	1
	4-12804000	Nozzle, SAQCMEG 0004, Red (353001A, 353007A)	1
	4-12804015	Nozzle, SAQCMEG 1504, Yellow (353001A, 353007A)	1
	4-12804025	Nozzle, SAQCMEG 2504, Green (353001A, 353007A)	1
	4-12804040	Nozzle, SAQCMEG 4004, White (353001A, 353007A)	1

**HNG  
EXPLODED VIEW  
LEFT SIDE**



## HNG EXPLODED VIEW RIGHT SIDE



**HNG****EXPLODED VIEW PARTS LIST**

ITEM	PART NO.	DESCRIPTION	QTY	ITEM	PART NO.	DESCRIPTION	QTY
1	95-07163028	Box, Electrical	1	21	5-602037	Belt, AX37 (402001, 301007)	2
2	95-07163113	Panel, Front	1		5-604036	Belt, BX36 (353001)	2
3	95-07163114	Cover, E-Box Access	1		5-602034	Belt, AX34 (402007)	2
4	10-07994	Label, Warning	1		5-602038	Belt, AX38 (301001)	2
5	90-10131	U-Bolt, 5/16" x 3"	2		5-604035	Belt, BX35 (353007)	2
6	90-19711	Screw, 1/4" x 1/2" HH NC, Whiz Loc	42	22	5-2302	Pump, General, T-991 (301001)	1
7	4-02120000	Hose, 3/4" Push-on /ft.	2		5-2304	Pump General, T-1011 (402001)	1
8	95-07163119	Brace, Panel	1		5-2307	Pump, General, TS-2021 (353001)	1
9	95-071210136	Platform, Motor 3/16" (4020, 3530)	1		5-1625	Pump, Legacy WML-2540 (301007)	1
	95-07121013	Platform, Motor, 3 GPM (301001, 301007)	1		5-1651	Pump, Legacy, TML-3053 (402007, 353007)	1
10	95-07121112	Rail, Pump or Generator Combo (301001, 402001, 353001)	1	23	1-190029	Cap, Valve, with 1/4" Gauge Port (301001, 402001, 353001)	
	95-07163136	Rail, Pump, Legacy Pumps (301007, 402007, 353007)	1		15-070042532	Cap, Valve, with 1/4" Gauge Port, Legacy (301007, 402007, 353007)	1
11	90-2007	Nut, 3/8" Hex, NC	2	24	2-300816	Pump Protector, 3/8" PTP	1
12	90-4002	Washer, 3/8" SAE, Flat	32	25	6-021720	Switch, Pressure N/O, 1/4" NPT SS	1
13	90-2002	Nut, 3/8", ESNA, NC	10	26	2-1042	Tee, 1/2" Street	3
14	90-4007	Washer, 3/8" x 1-1/2", Fender, SAE	14	27	2-1076	Bushing, Reducer, 1/2" x 1/4"	1
15	90-1025	Bolt, 3/8" x 5-1/2", Tap	4	28	2-1089	Hose Barb, 1/4" Barb x 1/4" Pipe, 90°	2
16	90-2020	Nut, Cage, 3/8" x 12" GA	8	29	2-9000	Clamp, Screw, #4	3
17	5-511113	Bushing, H x 1-1/8" (4020)	1	30	2-1037	Tee, 1/4" Branch Male (Steam Option)	1
	5-511138	Bushing, H x 1-3/8" (353001)	1	32	2-0051	Nipple, 1/2" JIC, 3/8" Pipe	1
18	5-512024	Bushing, H x 24mm	1	33	2-0079	Swivel, 1/2" JIC Fem., 3/8" MAL	1
19	5-40102658	Pulley, Bore, AK 26 x 5/8" (301007)	1	34	2-10712	Tee, 1/2" x 1/2" JIC 51#	1
	5-40102858	Pulley, Bore, AK 28 x 5/8" (301001)	1	35	2-1105	Swivel, 1/2" JIC Fem, Push-On	4
	5-40204401	Pulley, 2AK 44 H (402007)	1	36	4-02110000	Hose, 1/2", Push-On per/ft.	3
	5-40205401	Pulley, 2AK 54 H (402001)	1	37	5-3208	Unloader, AL-VRT 607, 7.8 GPM @ 4200 PSI	1
	5-40504501	Pulley, 2BK 45 H (353001, 353007)	1	38	2-106301	Elbow, 1/2" JIC x 3/8", 45 DGR	1
20	5-40108401	Pulley, AK 84 H (301001, 301007)	1	39	2-0031	Elbow, 3/8", Street (Steam Option)	1
	5-40206401	Pulley, 2AK 64 H (402007)	1	40	2-00682	Bushing, 3/8" Street (Steam Option)	1
	5-40208401	Pulley, 2AK 84 H (402001)	1	41	4-02047725	Hose, 3/8" x 25", 2 Wire, Pressure Loop	1
	5-40507001	Pulley, 2BK 70 H (353007)	1				
	5-40508001	Pulley, 2BK 80 H (353001)	1				

## HNG

### EXPLODED VIEW PARTS LIST

ITEM	PART NO.	DESCRIPTION	QTY	ITEM	PART NO.	DESCRIPTION	QTY
42	2-0053	Elbow, 1/2" JIC, 3/8", 90°	1	71	2-0008	Nipple 1/2" Hex, Steel	1
43	5-1047	Motor, 2HP, 1 PH 115/208/230V 3450 RPM (3010D)	1	72	4-02130050	Hose, 7/8" Push-On, Conduit, 7338-870	3.33
	5-10401	Motor, 6HP 1PH 1725 RPM (4020A)	1	73	95-07163099	Top, Burner Wrap, 20"	1
	5-1013	Motor, 7.5HP 1PH 1725 RPM (3530A)	1	74	10-02025A	Label, Hot/Caliente w/Arrows Warning	2
44	6-01041	Cord, Electric 12/3 SJOWA (3010D)	9.25	75	7-01415	Insulation, Tank Head, 20", 10" Opening	1
	6-0108	Cord, Service, SEO, 10/3 /ft. Coleman (4020A)	9.25	76	90-50045	Clip, Retaining, U-Type	4
	6-0102	Cord, Service, SO, 8/3 /ft. Coleman (3530A)	9.25	77	95-07121220	Coil, Dura, 20" Dia., SCH. 80	1
45	95-07163117	Panel, Side, Left	1	78	95-07163094	Wrap, Outer Assy, 20" Coil	1
46	95-07163116	Cover, Top	1	79	90-1016	Bolt, 3/8" x 1", NC HH	8
47	10-99075	Label, Operating Instructions	1	80	95-07163126	Cover, Control Panel	1
48	95-07163102	Panel, Rear	1		95-07163115	Cover, Control Panel (Remote)	1
49	2-01444	Plug, Plastic, 1"	1	81	11-0508	Label, Control Panel	1
50	90-2022	Nut, Cage, 1/4" x 16 GA	32		11-0509	Label, Control Panel, Remote	1
51	6-04110	Box, Junction 3 Hole, 3/4"	1	82	95-07163118	Panel, Side, Right	1
52	2-1062	Elbow, 1/2" JIC x 1/2", 90°	2	83	4-02021236	Hose, 1/4" x 36", 2 Wire, Gauge Hose (Steam Option)	1
53	6-0411	Cover Plate, Junction Box, 2" x 4"	1	84	90-20231	Nut, Cage, 1/4" x 12 GA	12
55	4-02100030	Inlet Hose, 30", Water Supply	1	85	2-00681	Bushing, 1/2" x 3/8" Steel	1
56	4-02100045	Inlet Hose, 45", Water Supply	1	86	10-09004	Label, Hot Water Outlet	1
57	2-00602	Elbow, 1/2" JIC x 1/2" Fem, 90°	1	87	2-01411	Bushing, 1" Snap	4
58	2-1053	Nipple, 1/2" JIC 1/2" MPT Pipe	2	88	2-01081	Plug, Rubber	3
59	2-10942	Swivel, 1/2" MP x 3/4" GHF, w/Strainer	1	89	2-01037	Grommet, 1-5/16" Rubber	1
60	10-09003	Label, Cold Water Inlet	1	90	90-1991	Screw, 10/32" x 1/2" BHSOC	2
61	2-1100	Adapter, 1/2" x 1/2" Pipe	1	91	90-017	Nut, 10/32" Keps	2
62	2-0108	Bumper Pad, Engine	18	92	10-08021	Label, Disconnect Power Supply	1
63	2-01041	Pad, Soft Rubber, 50 DURO	6	93	90-1030	Bolt, 8mm x 16mm Hex Head	4
64	95-07163100	Assy, Frame	1	94	90-4008	Washer, 5/16" Lock Split Ring	4
65	2-2007	Nipple, 3/8" x 3/8" NPT ST Male	1	95	90-4001	Washer, 5/16" Flat	4
66	2-00575	Elbow, 3/8" Steel, Street, 45°	1	96	95-07141110	Retainer, Pump Take-Up (3010)	1
67	95-07101226	Block, Discharge, Brass, 1/2" x 1/2"	1	97	90-4002	3/8" Washer (4020, 3530)	8
68	2-3408	Disk, Rupture Assy, 8000 PSI	1		90-4001	5/16" Washer (3010)	1
69	2-90041	Clamp, Screw, #16 Micro	1	98	90-2002	3/8" ESNA (4020, 3530)	4
70	4-05088	Thermostat, Adjustable, 302F	1		90-2001	5/16" ESNA Nut (3010)	4
				99	90-1016	3/8" Bolt (4020, 3530)	4
					90-1006	5/16" Bolt (3010)	4
				100	10-99071	Label, Steam Valve Option	1



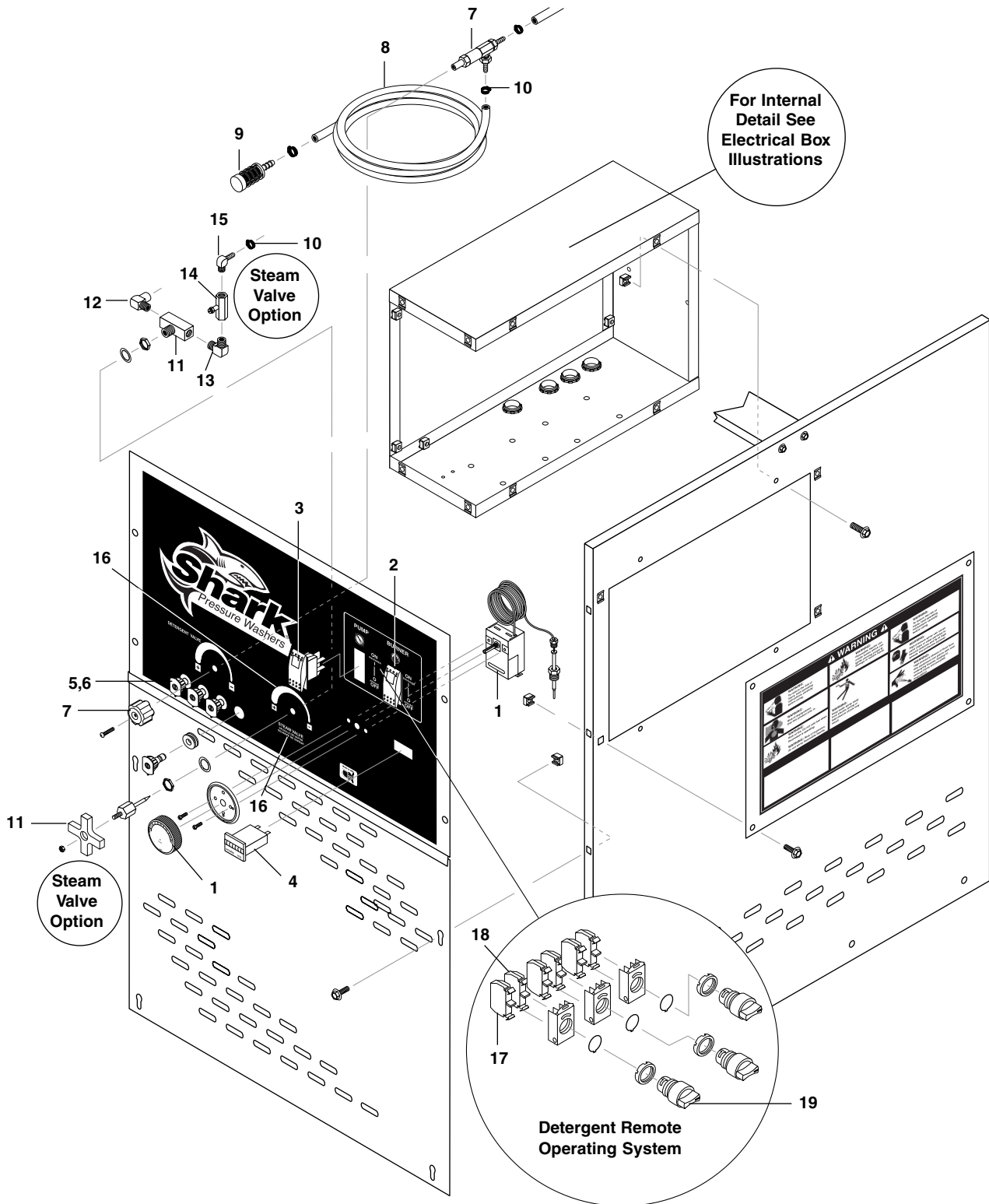
## HNG BURNER ASSEMBLY PARTS LIST

ITEM	PART NO.	DESCRIPTION	QTY
1	7-7021	Jet, Orifice, #54 Natural Gas	44
	7-7022	Jet, Orifice	2
2	95-07163096	Burner Assy, Square, Small	1
3	2-001359	Bushing, 1" x 3/4", Black, Steel Hex	1
4	2-00162	Nipple, 3/4" x 3", Black Pipe	3
5	2-00293	Elbow, 3/4", Black, 90°	4
6	2-00164	Nipple, 3/4" x 6", Black Pipe	1
7	2-00163	Nipple, 3/4" x 2", Black	1
8	2-0087	Union, 3/4", Black Pipe	1
9	2-00151	Nipple, 3/4" x Close, Black	2
10	95-07163081	Nipple, 1" NPT x 15", Black, SCH. 40	2
11	2-00295	Elbow, 1" x 3/4", Reducing Black	1
12	2-00291	Elbow, 1", Black, 90°	1
13	2-00101	Nipple, 1/2" x 4", Galv. SCH. 80	1
14	95-0712113	PHW/VNG Insulation Retainer Plate	1
15	90-2999	Screw, #10 x 1/2", TEK	4
16	95-07163097	Cover, Burner Access, 20" Coil	1
17	90-19942	Screw, 10/32" x 3/4", Hex Wash SL Mach/Blk	2
18	10-99032	Label, Pilot Light Hole	1
	10-99077	Label, Pilot Light Warning	1

ITEM	PART NO.	DESCRIPTION	QTY
19	90-2018	Nut, Cage, 10/32" x 16 GA	6
20	7-70162	Ignitor, Piezo #1244-42	1
	7-70164	Washer, Panel Adapter, Piezo 1244-26	1
21	90-10130	U-Bolt, 5/16" x 1", Pipe	2
22	7-70237	Pilot, Natural Gas Pilot A3-S, #77623	1
	7-7036	Thermopile, 44" MFG	1
23	7-0150	Tubing, Aluminum, 600/RI, 1/4" Dead Soft	36
24	7-7000HC	Valve, Gas 7000 MVRHC, #497701404	1
	7-70002	Valve, Gas, 7000 DERHC, #5N2501531 (Elec Ignition)	1
25	2-3006	Valve, Ball, 1/4" Female x 1/4" Female, UL Listed #12	1
26	2-1118	Connector, 1/4" Tube x 1/4" MPT	2
27	95-07163085	▲ Splash Guard	1
28	90-10131	U-Bolt, 5/16" x 3", Pipe	1
29	10-99077	Label, Pilot Light Warning	1
30	10-02020	Label, Burner Instructions	1
31	10-02024	Label, Natural Gas	1

▲ Not Shown

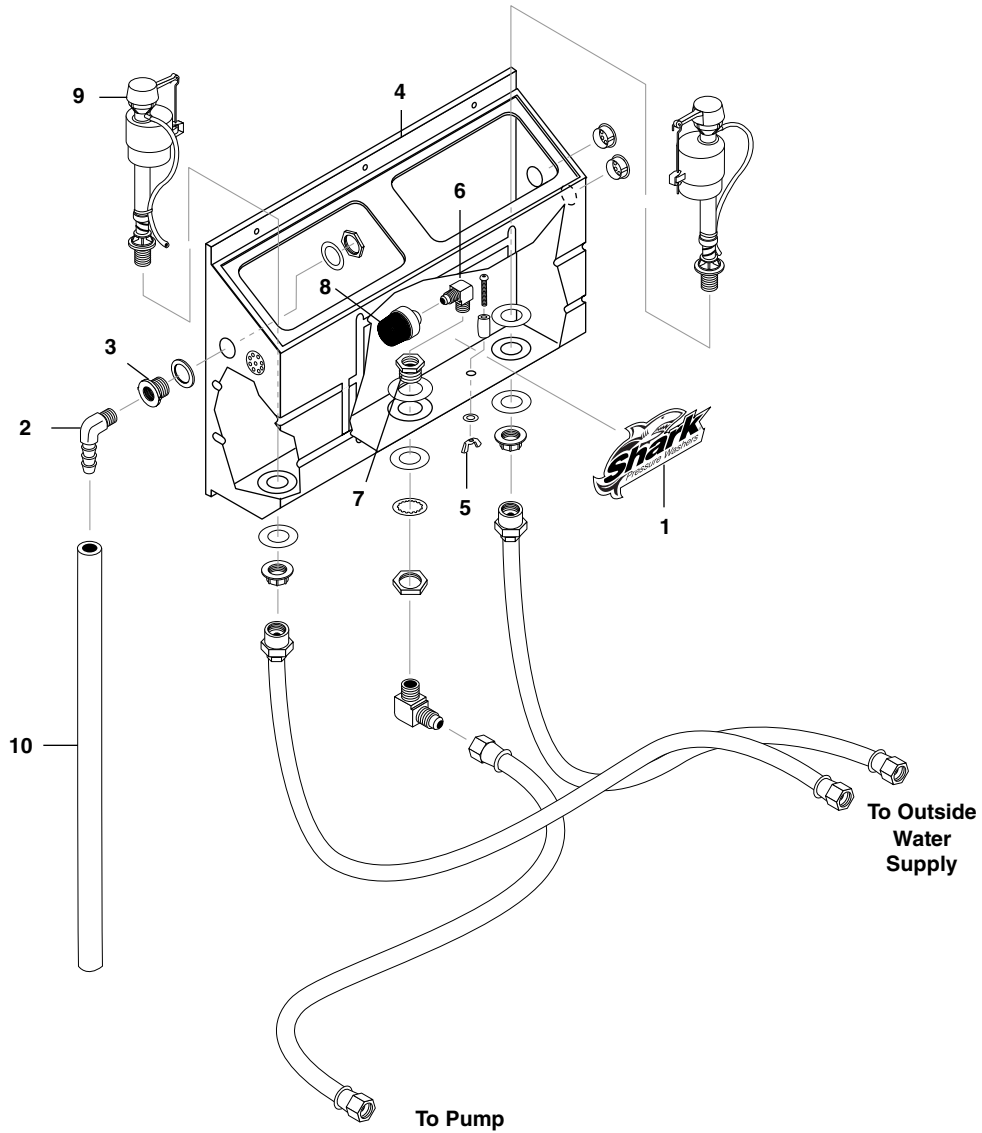
## HNG CONTROL PANEL ALL MODELS



**HNG CONTROL PANEL  
ALL MODELS PARTS LIST**

<b>ITEM</b>	<b>PART NO.</b>	<b>DESCRIPTION</b>	<b>QTY</b>
1	4-05088	Thermostat, Adjustable	1
2	6-020240	Switch, Rocker, Carling w/Green Lens	2
3	6-020241	Switch, Rocker, Carling Red Actuator (Time Delay)	1
4	4-050822	Hour Meter, HOBBS	1
5	2-0103	Grommet, Rubber, Nozzle Holder	4
6		Nozzle (See Pg 17)	1
7	2-30152	Valve, Metering, 1/4" Hose	1
8	4-02080000	Tube, 1/4" x 1/2", Clear Vinyl, per ft.	10
9	2-1905	Strainer, 1/4" w/Check Valve	1
10	2-9000	Clamp, Screw, #4	2
11	2-3015	Valve, Flow Control/Metering	1
12	2-1022	Elbow, 1/4" Street	1
13	2-0026	Elbow, 1/4", Female Pipe	1
14	2-3028	Valve, Inline Metering	1
15	2-1089	Hose Barb, 1/4" Barb x 1/4" Pipe, 90°	1
16	10-99071	Label, Steam Valve (Steam Option)	1
17	6-2000	Block, Contact, N/C	3
18	6-2001	Block, Contact, N/O	3
19	6-2020	Switch, Selector, w/Red Lever	3

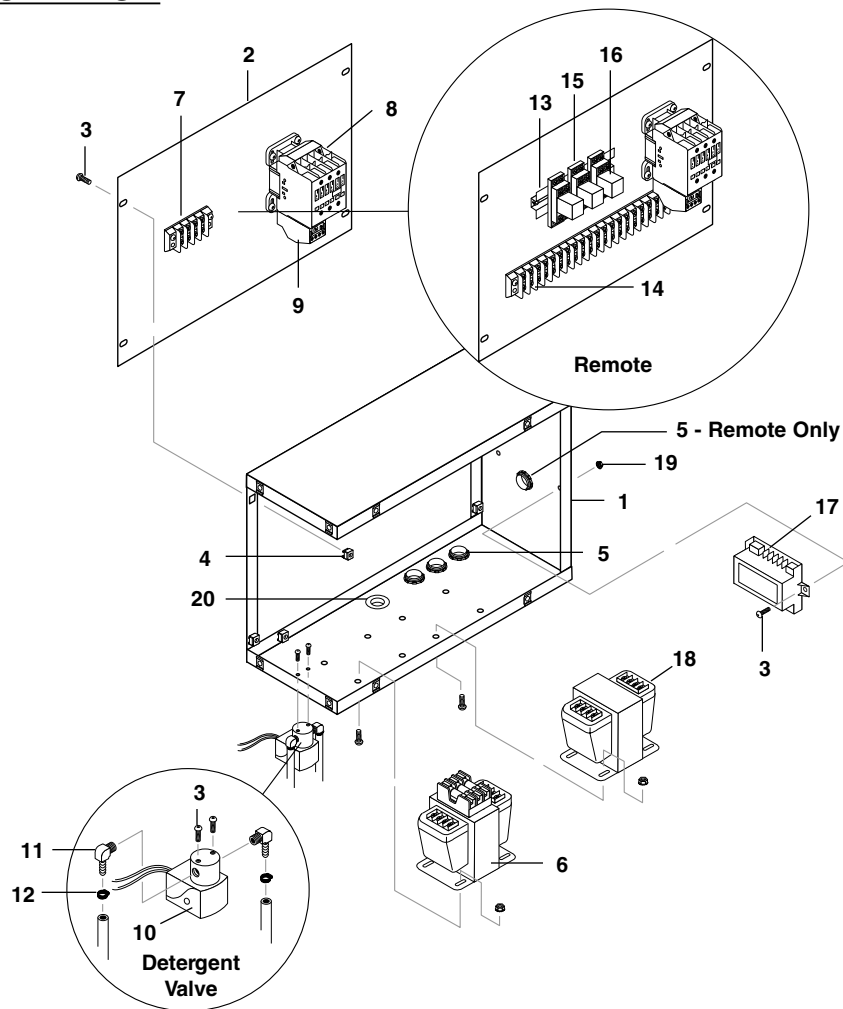
**HNG FLOAT TANK ASSEMBLY**  
**ALL MODELS**



ITEM	PART NO.	DESCRIPTION	QTY
1	11-0602	Label, Shark	1
2	2-0100379	Adapter, 3/4" x 3/4" MT x Insert, 90°	1
3	2-010058	Bulkhead, 3/4" Polypropylene	1
4	2-01164	Tank, Plastic Universal Float	1
5	2-0151	Plug, Float Tank	1

ITEM	PART NO.	DESCRIPTION	QTY
6	2-1062	Elbow, 1/2" JIC x 1/2", 90 DGR	1
7	2-11041	Connector, 1/2" Anchor	1
8	2-1906	Strainer, 1/2" Basket	1
9	2-3014	Valve, Fluidmaster, 400A, Float 2	
10	4-02120000	Hose, 3/4" Push-On	2 ft.

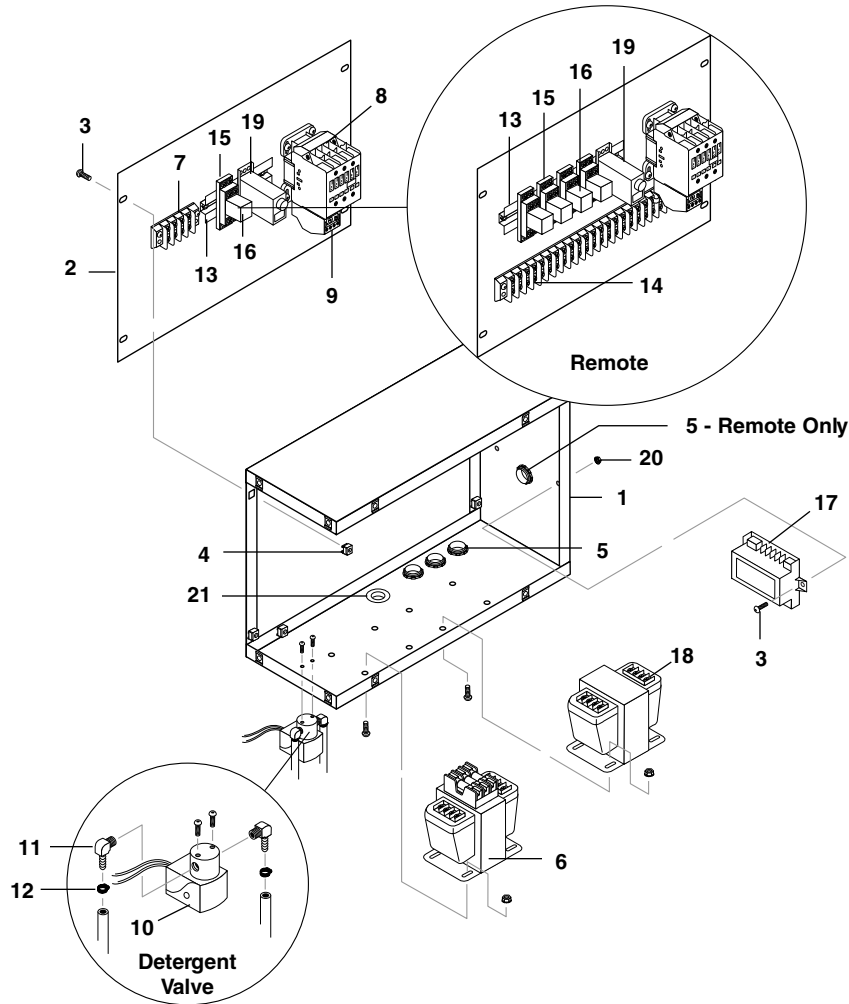
## HNG ELECTRICAL BOX STANDARD



ITEM	PART NO.	DESCRIPTION	QTY
1	95-0716028	Box, Electrical	1
2	95-07163030	Panel, Electrical Box Side	1
3	90-1991	Screw, 10/32" x 1/2" BHSOC Blk6	
4	90-2018	Nut, Cage, 10/32" x 16 GA	4
5	6-0517	Strain Relief, 3/4"	4
6	6-60111	Transformer, Micron, 240/480V-120V, .075 KVA	1
	6-02294	Fuse, KTK-R1 600V Midget Fuse	2
	6-0229810	Fuse, Paper, Buss FNM-8/10, 250V Midget TD	1
7	6-0504	Block, Terminal, 4 Pole	1
8	6-4010	Contactor, 120V, CH (301001D, 301007D)	1
	6-4013	Contactor, 120V, CH (402001A, 402007A)	1
	6-4018	Contactor, 120V, CH (353001A, 353007A)	1

ITEM	PART NO.	DESCRIPTION	QTY
9	6-5015	Overload, 29.00-42.00 AMP, CH (353001A, 353007A)	1
10	6-1401590	Valve, Deter. Less Solenoid	1
	6-140160	Solenoid Coil, 120V	1
11	2-1089	Hose Barb, 1/4" Barb x 1/4" Pipe, 90°	1
12	2-9000	Clamp, Screw, #4	2
13	6-021595	Din Rail, 35 mm, per in.	3
14	6-05041	Block Terminal, 16 Pole	1
15	6-03541	Base, Relay, SH2B-05, IDEC	2
16	6-03621	Relay, 120V, RH2B-UL-AC120	2
17	7-70151	Ignition, Electronic Control	1
18	6-60121	Transformer, Micron, 120/240V-24V, .050 KVA	1
19	90-017	Nut, 10/32", Keps	2
20	2-01411	Bushing, 1" Snap	1

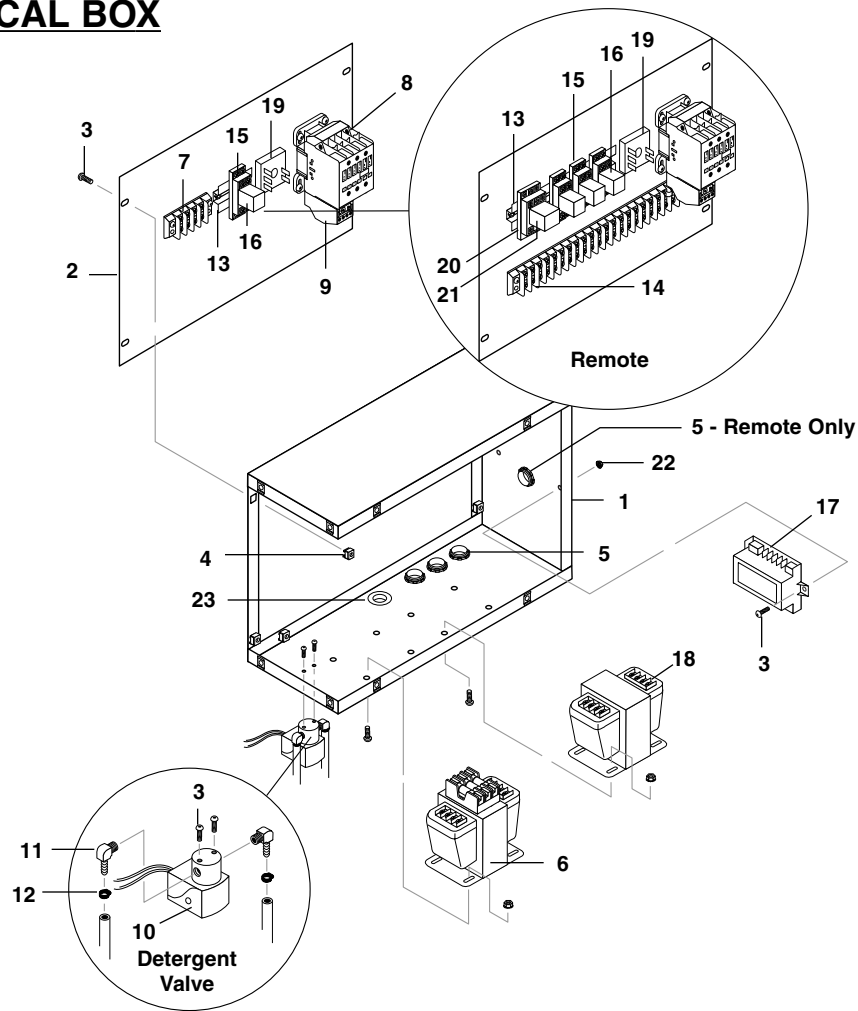
**HNG ELECTRICAL BOX  
TIME DELAY**



ITEM	PART NO.	DESCRIPTION	QTY
1	95-0716028	Box, Electrical	1
2	95-07163030	Panel, Electrical Box Side	1
3	90-1991	Screw, 10/32" x 1/2" BHSOC Blk	6
4	90-2018	Nut, Cage, 10/32" x 16 GA	4
5	6-0517	Strain Relief, 3/4"	4
6	6-60111	Transformer, Micron, 240/480V-120V, .075 KVA	1
	6-02294	Fuse, KTK-R1 600V Midget Fuse	2
	6-0229810	Fuse, Paper, Buss FNM-8/10, 250V Midget TD	1
7	6-0504	Block, Terminal, 4 Pole	1
8	6-4010	Contact, 120V, CH (301001D, 301007D)	1
	6-4013	Contact, 120V, CH (402001A, 402007A)	1
	6-4018	Contact, 120V, CH (353001A, 353007A)	1

ITEM	PART NO.	DESCRIPTION	QTY
9	6-5015	Overload, 29.00-42.00 AMP, CH (353001A, 353007A)	1
10	6-1401590	Valve, Deter. Less Solenoid	1
	6-140160	Solenoid Coil, 120V	1
11	2-1089	Hose Barb, 1/4" Barb x 1/4" Pipe, 90°	1
12	2-9000	Clamp, Screw, #4	2
13	6-021595	Din Rail, 35 mm, per in.	3
14	6-05041	Block Terminal, 16 Pole	1
15	6-03541	Base, Relay, SH2B-05, IDEC	2
16	6-03621	Relay, 120V, RH2B-UL-AC120	2
17	7-70151	Ignition, Electronic Control	1
18	6-60121	Transformer, Micron, 120/240V-24V, .050 KVA	1
19	6-03700	Timer, Multi-Function, 24V-120/240V	1
20	90-017	Nut, 10/32" Keps	2
21	2-01411	Bushing, 1" Snap	1

## HNG ELECTRICAL BOX AUTO START



ITEM	PART NO.	DESCRIPTION	QTY
1	95-0716028	Box, Electrical	1
2	95-07163030	Panel, Electrical Box Side	1
3	90-1991	Screw, 10/32" x 1/2" BHSOC Blk 6	
4	90-2018	Nut, Cage, 10/32" x 16 GA	4
5	6-0517	Strain Relief, 3/4"	4
6	6-60111	Transformer, Micron, 240/480V-120V, .075 KVA	1
	6-02294	Fuse, KTK-R1 600V Midget Fuse 2	
	6-0229810	Fuse, Paper, Buss FNM-8/10, 250V Midget TD	1
7	6-0504	Block, Terminal, 4 Pole	1
8	6-4010	Contactor, 120V, CH (301001D, 301007D)	1
	6-4013	Contactor, 120V, CH (402001A, 402007A)	1
	6-4018	Contactor, 120V, CH (353001A, 353007A)	1
9	6-5015	Overload, 29.00-42.00 AMP, CH (353001A, 353007A)	1

ITEM	PART NO.	DESCRIPTION	QTY
10	6-1401590	Valve, Deter. Less Solenoid	1
	6-140160	Solenoid Coil, 120V	1
11	2-1089	Hose Barb, 1/4" Barb x 1/4" Pipe, 90°	1
12	2-9000	Clamp, Screw, #4	2
13	6-021595	Din Rail, 35 mm, per in.	3
14	6-05041	Block Terminal, 16 Pole	1
15	6-03541	Base, Relay, SH2B-05, IDEC	2
16	6-03621	Relay, 120V, RH2B-UL-AC120	2
17	7-70151	Ignition, Electronic Control	1
18	6-60121	Transformer, Micron, 120/240V-24V, .050 KVA	1
19	6-06880	Timer, Solid State 120V, 5-60 Min.	1
20	6-035210	Relay, Socket, IDEC	1
21	6-036210	Relay, Latch, IDEC	1
22	90-017	Nut, 10/32", Keps	2
23	2-01411	Bushing, 1" Snap	1