

PARTS MANUAL



Mikasa SERIES
MODEL MVC77
ONE-WAY PLATE COMPACTOR
(HONDA GX160K1QX2 GASOLINE ENGINE)

Revision #5 (07/13/20)

THIS MANUAL MUST ACCOMPANY THE EQUIPMENT AT ALL TIMES.

TABLE OF CONTENTS

MVC77 Plate Compactor

Table Of Contents	2
Explanation Of Codes In Remarks Column	4
Suggested Spare Parts	5

Component Drawings

Nameplate and Decals	6-7
Main Body Assembly	8-9
Engine Pulley/Clutch Assembly	10-11
Vibrator/Plate Mounting Assembly	12-13
Vibrator Assembly	14-15
Water Tank	16-17

NOTICE

Specification and part number are subject to change without notice.

Honda GX160K1QX2 Engine Drawings

Cylinder Head Assembly	18-19
Cylinder Barrel Assembly	20-21
Crankcase Cover Assembly	22-23
Crankshaft Assembly	24-25
Piston/Rings Assembly	26-27
Camshaft Assembly	28-29
Recoil Starter	30-31
Fan Cover Assembly	32-33
Carburetor Assembly	34-35
Air Cleaner Assembly	36-37
Muffler Assembly	38-39
Fuel Tank Assembly	40-41
Cooling Fan & Flywheel Assembly	42-43
Ignition Coil Assembly	44-45
Control Assembly	46-47

EXPLANATION OF CODES IN REMARKS COLUMN

The following section explains the different symbols and remarks used in the Parts section of this manual. Use the help numbers found on the back page of the manual if there are any questions.

NOTICE

The contents and part numbers listed in the parts section are subject to change **without notice**. Multiquip does not guarantee the availability of the parts listed.

SAMPLE PARTS LIST

NO.	PART NO.	PART NAME	QTY.	REMARKS
1	12345	BOLT.....	1	INCLUDES ITEMS W/%
2%		WASHER, 1/4 IN.....		NOT SOLD SEPARATELY
2%	12347	WASHER, 3/8 IN....	1	MQ-45T ONLY
3	12348	HOSE		A/R ...MAKE LOCALLY
4	12349	BEARING	1	S/N 2345B AND ABOVE

NO. Column

Unique Symbols — All items with same unique symbol

(@, #, +, %, or >) in the number column belong to the same assembly or kit, which is indicated by a note in the “Remarks” column.

Duplicate Item Numbers — Duplicate numbers indicate multiple part numbers, which are in effect for the same general item, such as different size saw blade guards in use or a part that has been updated on newer versions of the same machine.

NOTICE

When ordering a part that has more than one item number listed, check the remarks column for help in determining the proper part to order.

PART NO. Column

Numbers Used — Part numbers can be indicated by a number, a blank entry, or TBD.

TBD (To Be Determined) is generally used to show a part that has not been assigned a formal part number at the time of publication.

A blank entry generally indicates that the item is not sold separately or is not sold by Multiquip. Other entries will be clarified in the “Remarks” Column.

QTY. Column

Numbers Used — Item quantity can be indicated by a number, a blank entry, or A/R.

A/R (As Required) is generally used for hoses or other parts that are sold in bulk and cut to length.

A blank entry generally indicates that the item is not sold separately. Other entries will be clarified in the “Remarks” Column.

REMARKS Column

Some of the most common notes found in the “Remarks” Column are listed below. Other additional notes needed to describe the item can also be shown.

Assembly/Kit — All items on the parts list with the same unique symbol will be included when this item is purchased.

Indicated by:

“INCLUDES ITEMS W/(unique symbol)”

Serial Number Break — Used to list an effective serial number range where a particular part is used.

Indicated by:

“S/N XXXXX AND BELOW”

“S/N XXXX AND ABOVE”

“S/N XXXX TO S/N XXX”

Specific Model Number Use — Indicates that the part is used only with the specific model number or model number variant listed. It can also be used to show a part is NOT used on a specific model or model number variant.

Indicated by:

“XXXXX ONLY”

“NOT USED ON XXXX”

“Make/Obtain Locally” — Indicates that the part can be purchased at any hardware shop or made out of available items. Examples include battery cables, shims, and certain washers and nuts.

“Not Sold Separately” — Indicates that an item cannot be purchased as a separate item and is either part of an assembly/kit that can be purchased, or is not available for sale through Multiquip.

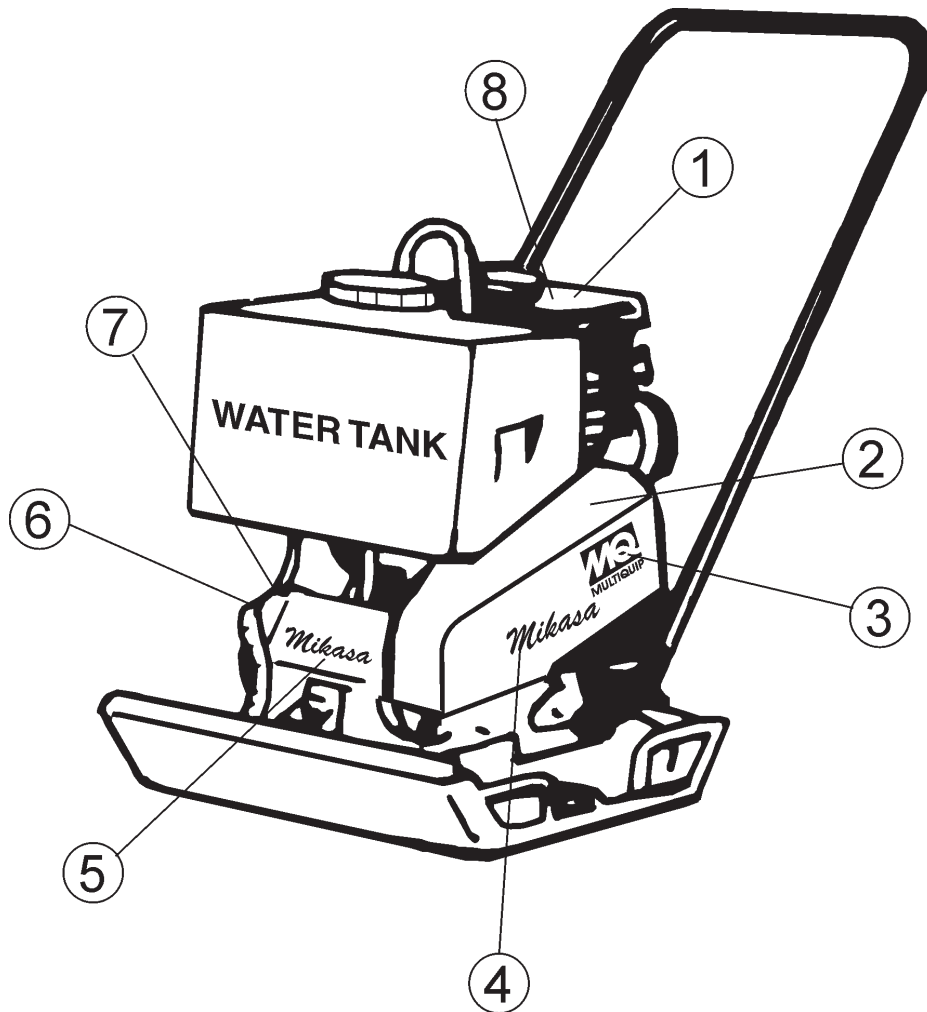
SUGGESTED SPARE PARTS

MVC77 Series1 TO 5 UNITS WITH HONDA GX160K1QX2 ENGINE

1 to 3 Units

Qty.	P/N	Description
3	070503350	V-BELT
1	060403060	OIL SEAL, VIBRATING
2	050101000	O-RING (FOR HANDLE)
3	9807956841	SPARK PLUG (HONDA)
1	28462ZH8003	ROPE, RECOIL STARTER (HONDA)
1	36100ZE1015	SWITCH ASSY, ENGINE STOP (HONDA)
3	17210ZE1505	ELEMENT, A/C (HONDA)
1	17620ZH7023	CAP, FUEL TANK (HONDA)
1	17672ZE2W01	FUEL FILTER, FUEL TANK (HONDA)
4	930405011	SHOCK ABSORBER

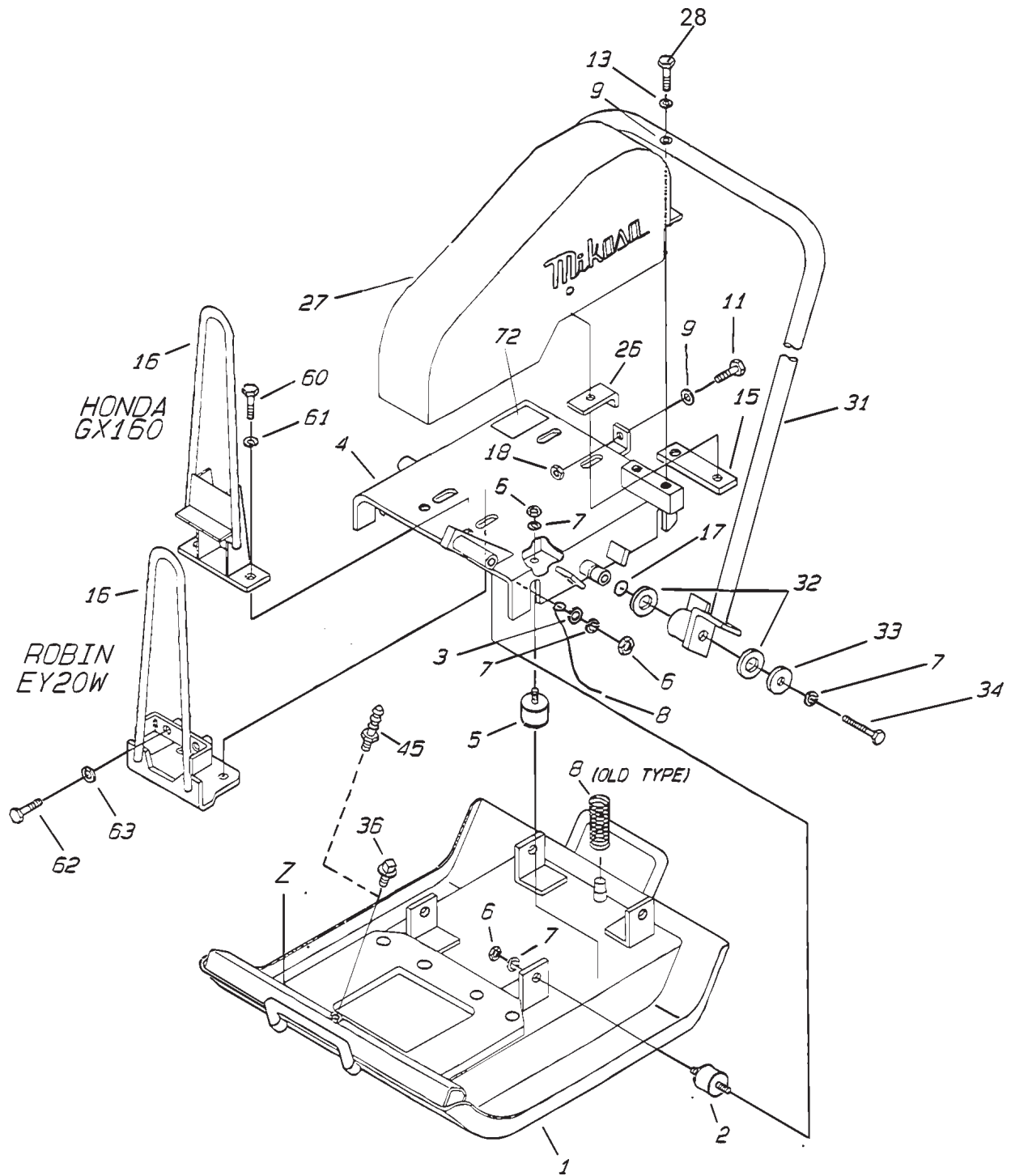
NAMEPLATE AND DECALS



NAMEPLATE AND DECALS

<u>NO</u>	<u>PART NO</u>	<u>PART NAME</u>	<u>QTY.</u>	<u>REMARKS</u>
1	920203290	DECAL: CAUTION	1	DSC01
2	920203060	DECAL: CAUTION (START ENG/VIBR)	1	NPA-306
3	920201580	DECAL: MQ LOGO	2	NPA-158
4	920106460	DECAL: MIKISA LOGO (NAME)	1	NPA-507
5	920201950	DECAL: MOTOR OIL	1	NPA-195
6		PLATE: SERIAL NO./MVC-MQ	1	CONTACT MQ SERVICE DEPT. W/MODEL & S/N
7	13118	DECAL: POWDER COATED	1	
8	920203330	DECAL: EAR PROTECTION LABEL	1	NPA-333

MAIN BODY ASSY.

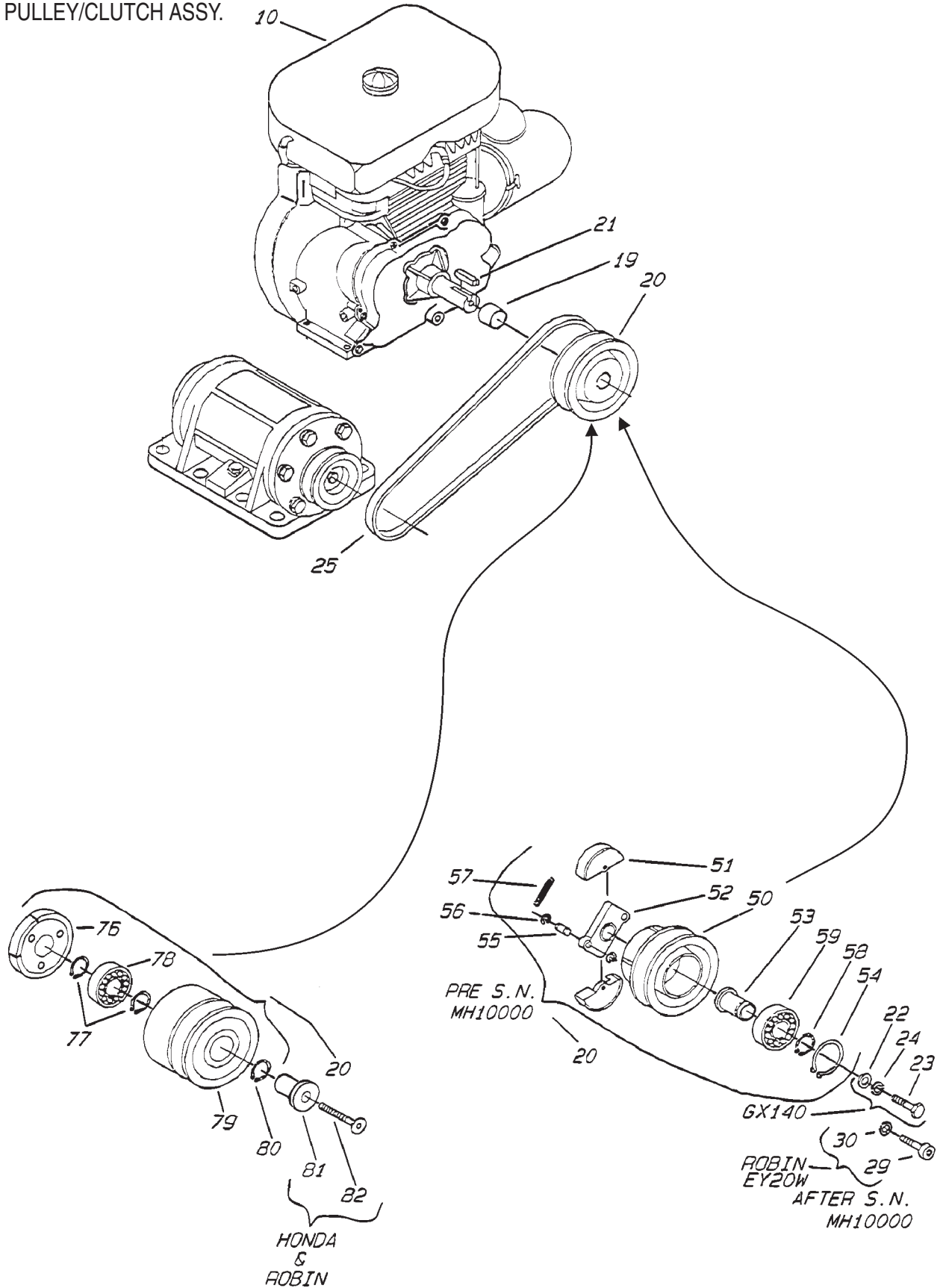


MAIN BODY ASSY.

<u>NO</u>	<u>PART NO</u>	<u>PART NAME</u>	<u>QTY.</u>	<u>REMARKS</u>
1	408105330	VIBRATING PLATE, 430/77	1	
2	930405011	SHOCK ABSORBER MED-50/S	4	
3	031110160	PLAIN WASHER M10	4	
4	408105320	BASE	1	ROBIN
4	408109390	BASE	1	HONDA
5	939010010	SHOCK ABSORBER, STOPPER 45	1	
6	020310080	NUT M10	9	
7	030210250	SPRING WASHER M10	11	
8	959404350	SPRING	1	REPLACES 401010020
8	959404350	EARTH WIRE	1	
9	031108160	PLAIN WASHER M8	9	
11	011008040	BOLT 8X40 T	4	REPLACES 001220840
12	011208045	BOLT 8X45 T	1	REPLACES 001220845
13	030208200	SPRING WASHER 8M	8	
15	408420810	ENGINE NUT	1	ROBIN
15	408420810	ENGINE NUT	2	HONDA
16	408207200	HOOK	1	ROBIN
16	408209910	HOOK	1	HONDA
17	050200160	O-RING	2	
18	020108060	NUT M8, H=5	1	REPLACES 020408050
26	408404240	STOPPER	1	
27	408104800	BELT COVER	1	
28	014208020	BOLT 8X20 T	4	REPLACES 001220820
31	408206161	HANDLE	1	
32	952402281	WASHER 21363 (DELTRIN)	4	
33	952403450	WASHER 11X36X4.5	2	REPLACES 952400220
34	0105091025	BOLT 10X25 T	2	REPLACES 001221025
36	408010030	PLUG 1/4	1	
45	408010080	HOSE JOINT 1/4X10D	1	
60	001221235	BOLT 12X35 T	2	REPLACES 001221235 HONDA
61	030212300	SW M12	2	HONDA
62	011208045	BOLT 8X45 T	2	ROBIN
63	030208200	SPRING WASHER M8	2	REPLACES 001220845 ROBIN
72	920103260	PLATE, SERIAL	1	CONTACT MULTIQUIP SERVICE DEPT WITH MODEL AND SERIAL NUMBER

ENGINE PULLEY/CLUTCH ASSY.

ENGINE PULLEY/CLUTCH ASSY.

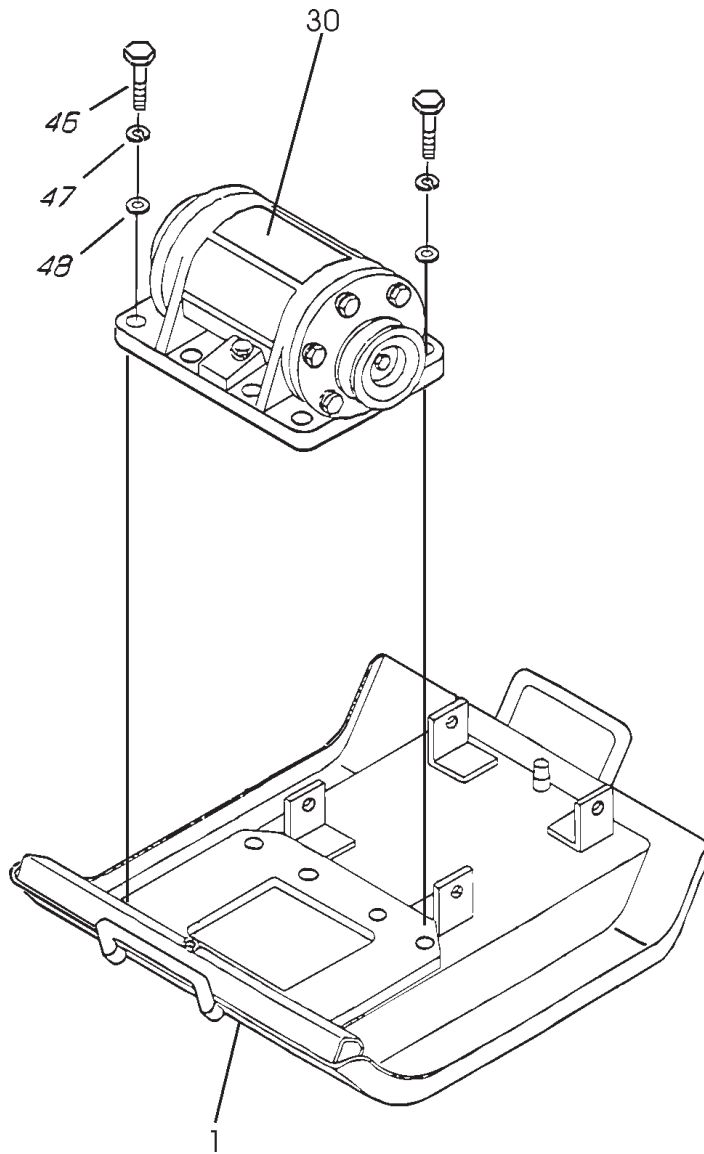


ENGINE PULLEY/CLUTCH ASSY.

ENGINE PULLEY/CLUTCH ASSY.

<u>NO</u>	<u>PART NO</u>	<u>PART NAME</u>	<u>QTY.</u>	<u>REMARKS</u>
10	EH172YD4020	ENGINE ASSY. (ROBIN)	1	REPLACES 911202046
10		ENGINE ASSY. (HONDA)	1	GX140Q1B5 NO LONGER AVAILABLE
10	GX160K1QX2	ENGINE ASSY. (HONDA)	1	REPLACES 912216002
19	408420830	CLUTCH SPACER	1	ROBIN
19	408434570	SPACER 20X25X8.4/77H	1	HONDA
20	408910020	CLUTCH ASSY	1	REPLACES 16053
21	408412320	KEY 4.78X4.78X20	1	
22	952403630	WASHER 9X30X3	1	HONDA
23	009110003	BOLT 5/16-24 UNF-35MM (HONDA)	1	REPLACES 402010150
23	404010060	BOLT 5/16-24UNF-20MM	1	HONDA
24	030208200	SPRING WASHER M8	1	HONDA
25	070503350	V-BELT (3VX-335)	1	
29	408010060	SOCKET HEAD BOLT 3/8X32	1	ROBIN
30	031110160	WASHER 11253	1	REPLACES 952401440 (ROBIN)
50	943010010	PULLEY DRUM	1	
51	943020010	CLUTCH SHOE	2	
52	943050010	CLUTCH BOSS/D; 19.05	1	
53	943040010	BEARING COLLAR/D; 19.05	1	
54	JISB2804C25	STOP RING	1	REPLACES 080200250
55	943050020	ARM PIN	2	
56	080300090	STOP RING	4	
57	943030010	CLUTCH SPRING	2	
58	080100520	STOP RING	1	
59	046006250	BEARING (6205 DDU)	1	REPLACES 046006250
76	408910020	CLUTCH ROTOR	1	REPLACES 16093
78	16095	BEARING 1.1/8" ID X 2.1/8" OD	1	
79	408910020	DRUM 4.5/8" (INCLUDES ITEMS 77 & 78)	1	REPLACES 16096
80	EM926029	RETAINING RING 1.1/8" DIA	1	
81	16086	CLUTCH RETAINER	1	
82	2638	FHSC CAP SCREW 5/16-24 X1	1	

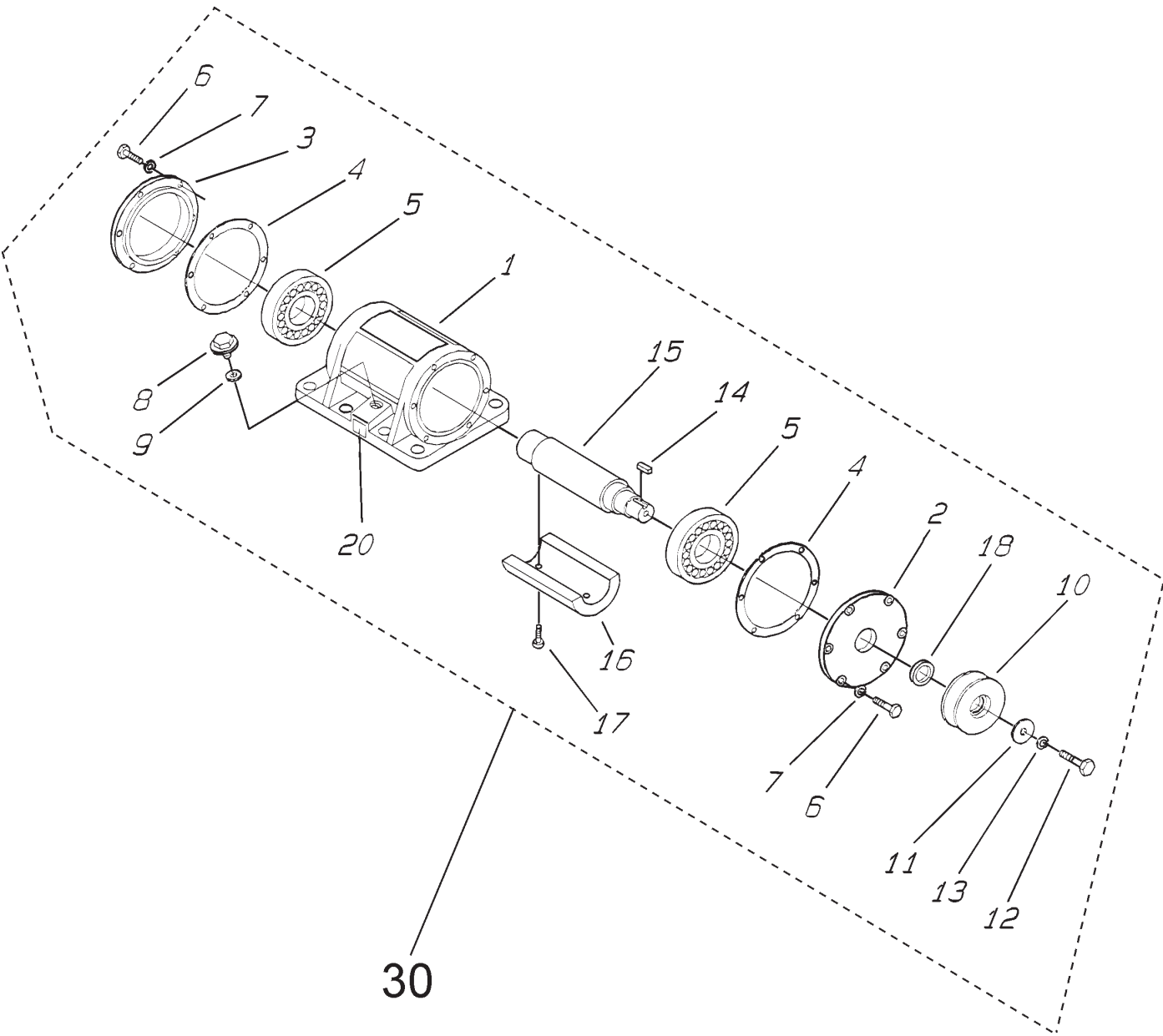
VIBRATOR/PLATE MOUNTING ASSY.



VIBRATOR/PLATE MOUNTING ASSY.

<u>NO</u>	<u>PART NO</u>	<u>PART NAME</u>	<u>QTY.</u>	<u>REMARKS</u>
1	408105330	VIBRATING PLATE	1	
46	012212035	BOLT 12X35 T	9	REPLACES 001221235
47	030212300	SPRING WASHER M12	9	
48	031112230	PLAIN WASHER M12	9	
30	408910010	VIBRATOR ASSY.	1	SEE PAGES 36 AND 37

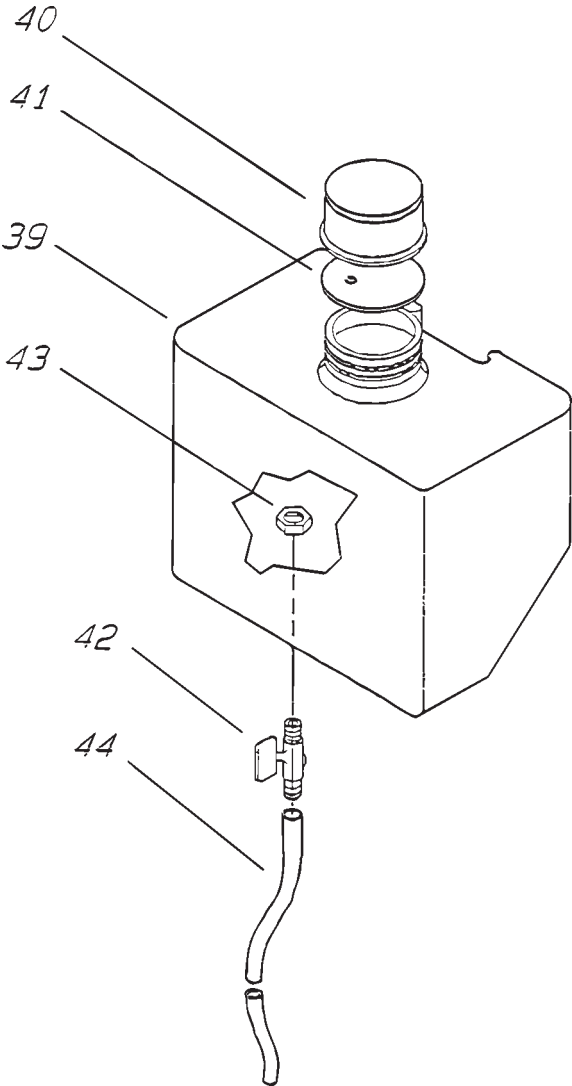
VIBRATOR ASSY.



VIBRATOR ASSY.

<u>NO</u>	<u>PART NO</u>	<u>PART NAME</u>	<u>QTY.</u>	<u>REMARKS</u>
1*	408010057	VIBRATING CASE/77,90	1	REPLACES 408010050
2*	401301260	CASE COVER/A	1	
3*	401301270	CASE COVER/B	1	
4*	401010190	PACKING	2	
5*	040406309	BEARING	2	
6*	011208025	BOLT 8 X 25 T	12	REPLACES 001220825
7*	030208200	SPRING WASHER	12	
8*	953400270	PLUG 1/4 X 14	1	
9*	953405260	PACKING 1/4	1	REPLACES 953400160
10*	408420840	PULLEY VIBRATOR	1	
11*	401010220	WASHER 13406	1	
12*	001221235	BOLT 12 X 35 T	1	REPLACES 001221235
13*	030212300	SPRING WASHER M12	1	
14*	951010090	KEY 7 X7 X 23	1	
15*	401010200	ROTATOR SHAFT	1	
16*	401010240	ECCENTRIC ROTATOR	1	
17*	014212030	SOCKET HEAD BOLT 12 X 30	2	REPLACES 001521230
18*	060203030	OIL SEAL TC-35488	1	REPLACES 060403060
20*	920101190	DECAL, TURBINE OIL NP -119	1	
30	408910010	VIBRATOR ASSY.	1	INCLUDES ITEMS W/*

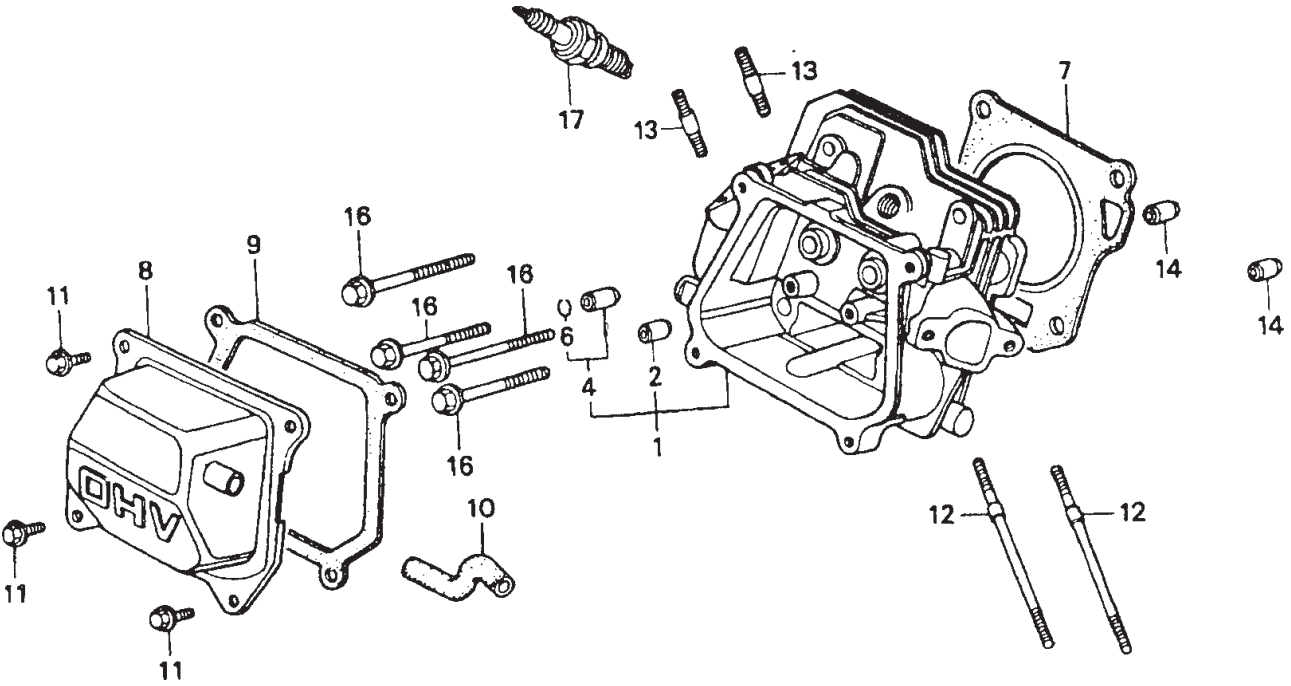
WATER TANK ASSY.



WATER TANK ASSY.

<u>NO</u>	<u>PART NO</u>	<u>PART NAME</u>	<u>QTY.</u>	<u>REMARKS</u>
39	408106380	WATER TANK	1	
40	408316691	CAP, WATER TANK (W/PK)	1	REPLACES 408316690
41	408424691	PACKING, 115D-2T	1	
42	954403240	COCK PT 1/4, BH-1211	1	
43	959403790	NUT PS-1/4	1	
44	402010060	VINYL PIPE 9.5X14X450L	1	REPLACES 408424840

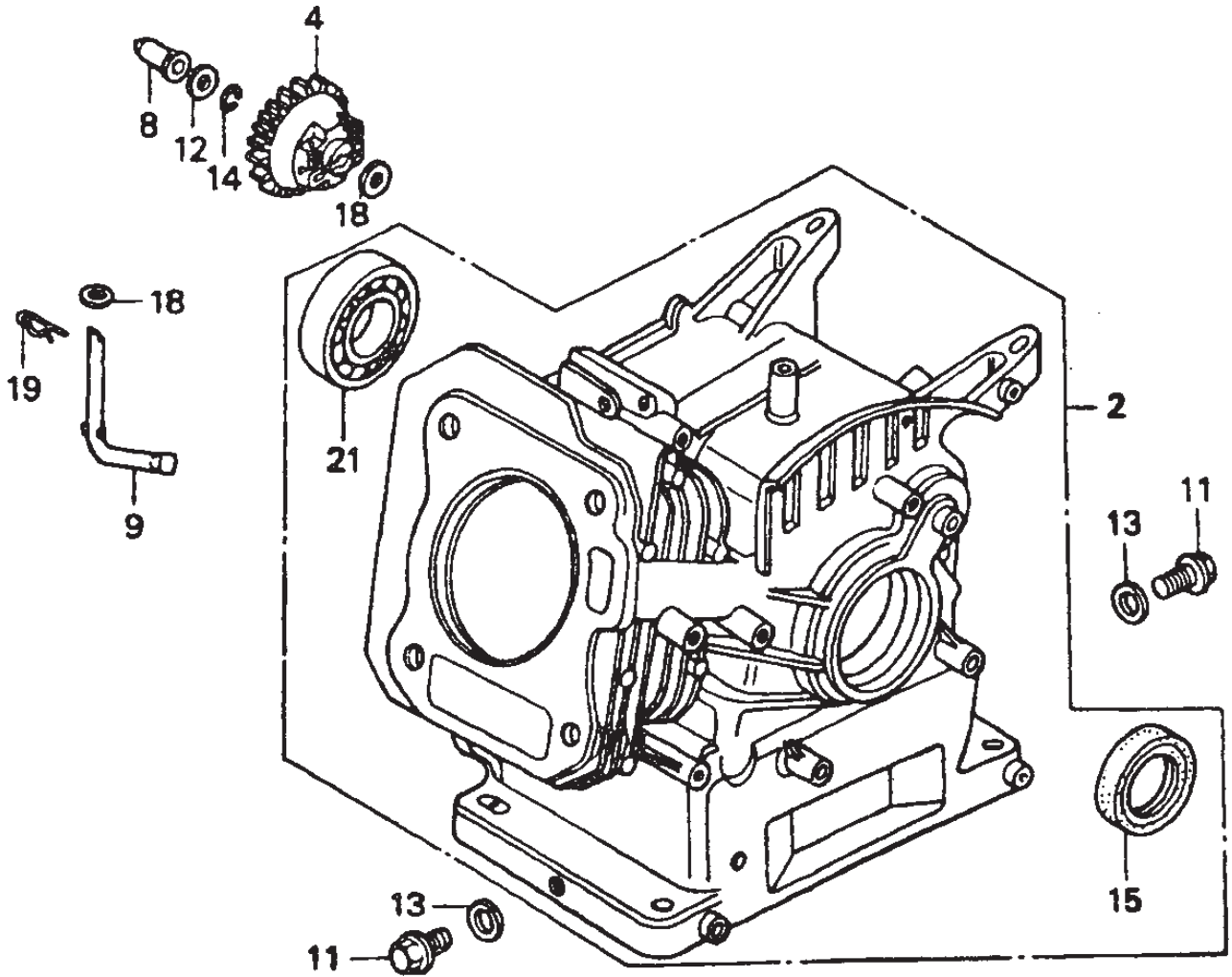
HONDA GX160K1QX2 — CYLINDER ASSY.



HONDA GX160K1QX2 — CYLINDER ASSY.

<u>NO</u>	<u>PART NO</u>	<u>PART NAME</u>	<u>QTY.</u>	<u>REMARKS</u>
1	12210ZH8000	HEAD COMP., CYLINDER	1	
2	12204ZE01306	GUIDE, INLET VALVE	1	
4	12205ZE1315	GUIDE, EXHAUST VALVE	1	
6	12216ZE5300	CLIP, VLAVE GUIDE	1	
7	12251ZF1800	GASKET, CYLINDER HEAD	1	
8	12310ZE1010	COVER COMP., HEAD	1	
9	12391ZE1000	PACKING, HEAD COVER	1	
10	15721ZH8000	TUBE, BREATHER	1	
11	90013883000	FLANGE BOLT 6X12	4	
12	90043ZE1020	STUD BOLT 6X112	2	
13	90047ZE1000	STUD BOLT 8X32	2	
14	9430110160	KNOCK PIN 10X16	2	
16	957230806000	FLANGE BOLT 8X60	4	
17	9807956841	SPARK PLUG BP6ES NGK	1	
17	9807956854	SPARK PLUG W20EP-U DENSO	1	

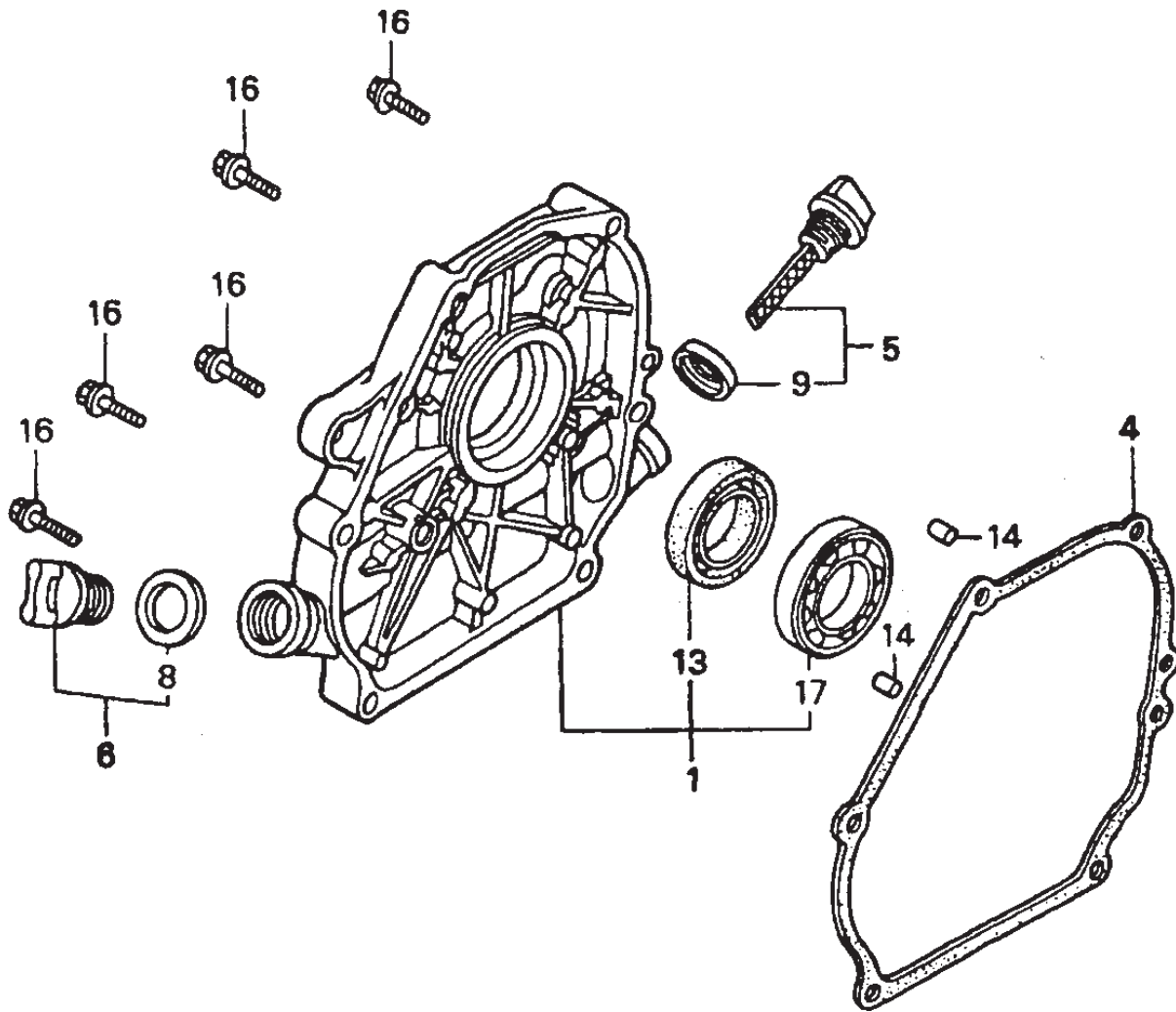
HONDA GX160K1QX2 — CYLINDER BARREL ASSY.



HONDA GX160K1QX2 — CYLINDER BARREL ASSY.

<u>NO</u>	<u>PART NO</u>	<u>PART NAME</u>	<u>QTY.</u>	<u>REMARKS</u>
2	12000ZH8010	BARREL ASSY. CYLINDER	1	INCLUDES ITEMS W/*
4	16510ZE1000	GOVERNOR ASSY.	1	
8	16531ZE1000	SLIDER, GOVERNOR	1	
9	16541ZE1000	SHAFT, GOVERNOR ARM	1	
11	90131ZE1000	BOLT, DRAIN PLUG	2	
12	90451ZE1000	THRUST WASHER 6MM	1	
13	90601ZE1000	WASHER, DRAIN PLUG	2	
14	90602ZE1000	CLIP, GOVERNOR HOLDER	1	
15*	91202883005	OIL SEAL 25X41X6	1	
18	9410106800	PLAIN WASHER 6MM	2	
19	9425108000	LOCK PIN 8MM	1	
21*	91001ZF1003	BALL BEARING 6205TMB	1	

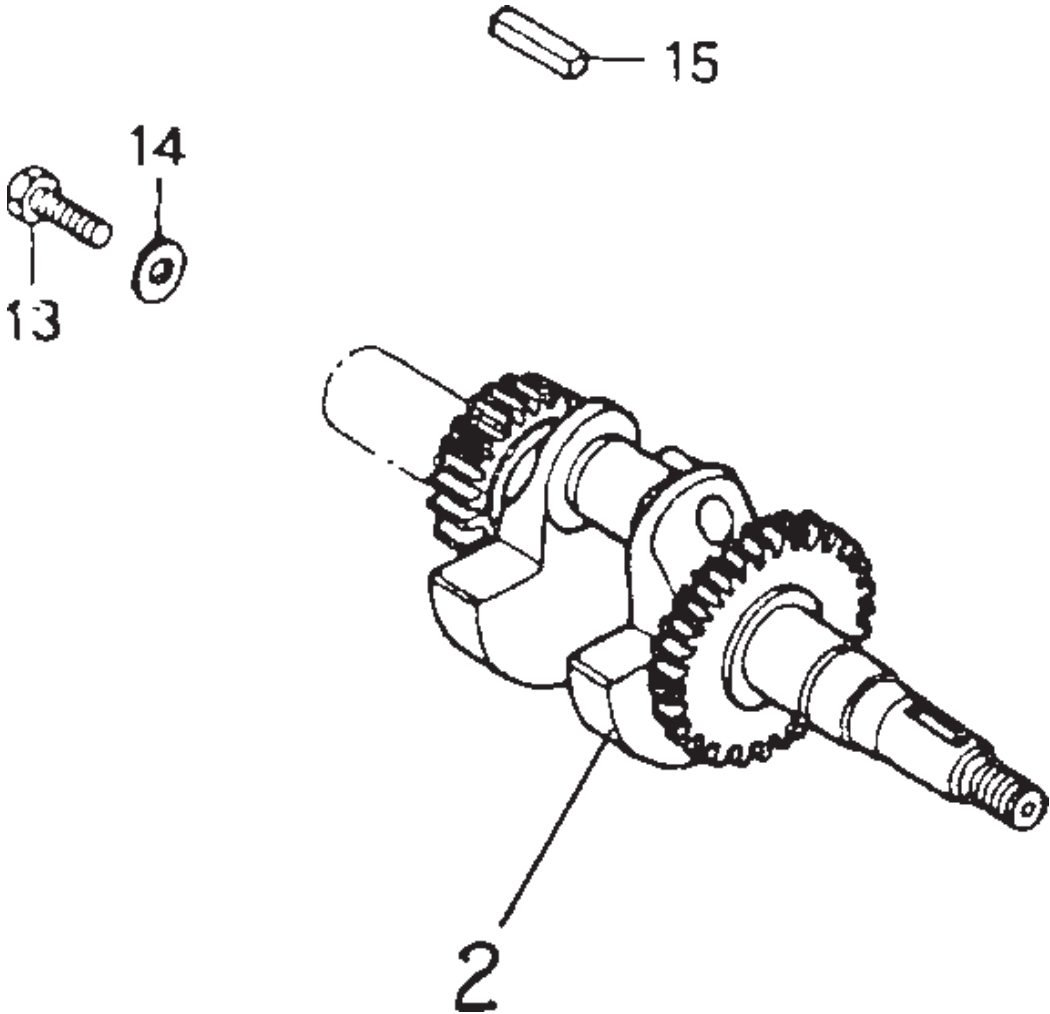
HONDA GX160K1QX2 — CRANKCASE COVER ASSY.



HONDA GX160K1QX2 — CRANKCASE COVER ASSY.

<u>NO</u>	<u>PART NO</u>	<u>PART NAME</u>	<u>QTY.</u>	<u>REMARKS</u>
1	11300ZZE1633	COVER ASSY. CRANKCASE	1	INCLUDES ITEMS W/*
4	11381ZH8801	GASKET CRANKCASE	1	
5	15600ZE1003	OIL GAUGE ASSY.	1	INCLUDES ITEMS W/%
6	15600ZG4003	OIL PLUG ASSY.	1	INCLUDES ITEMS W/#
8#	15625ZE1003	PACKING, OIL FILLER CAP	1	
9%	15625ZE1003	PACKING, OIL FILLER CAP	1	
13*	91202883005	OIL SEAL 25X41X6	1	
14	9430108140	KNOCK PIN 8X14	2	
16	957010803200	FLANGE BOLT 8X32	6	
17*	961006205000	BALL BEARING 6205	1	

HONDA GX160K1QX2 — CRANKSHAFT ASSY.

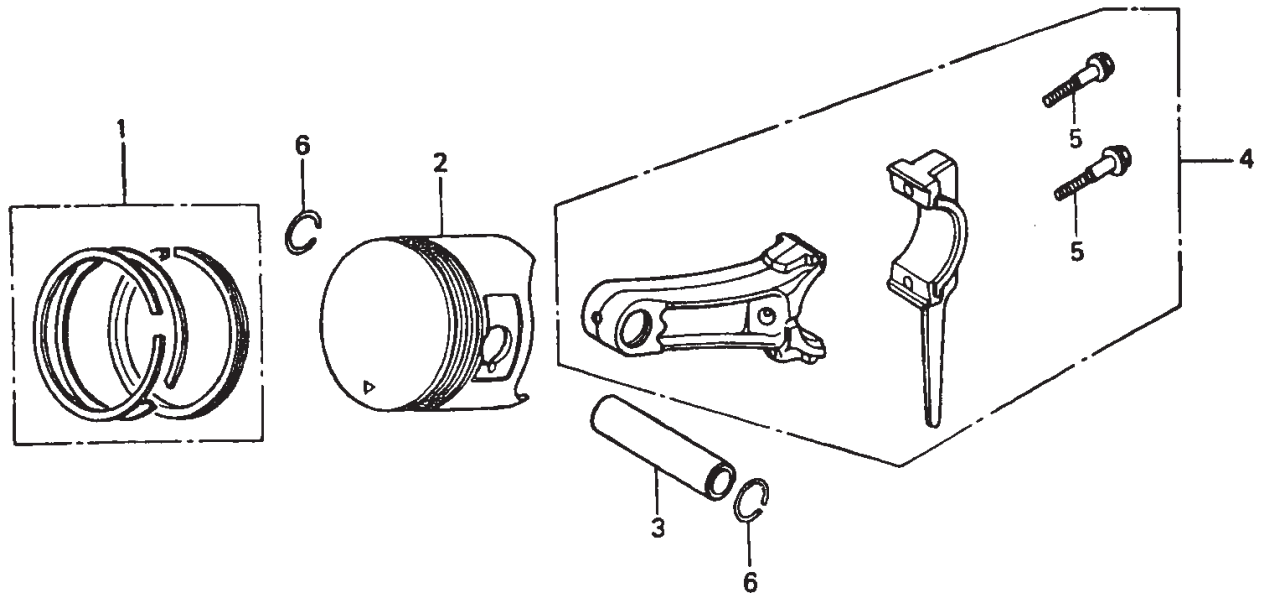


HONDA GX160K1QX2 — CRANKSHAFT ASSY.

<u>NO</u>	<u>PART NO</u>	<u>PART NAME</u>	<u>QTY.</u>	<u>REMARKS</u>
2	13310ZE1000	CRANKSHAFT COMP.	1	
13	92101080250A	BOLT	1	
14	90473842000	WASHER 8MM	1	
15	90741883810	KEY 5X5X33	1	

HONDA GX160K1QX2 — PISTON ASSY.

PISTON ASSY.

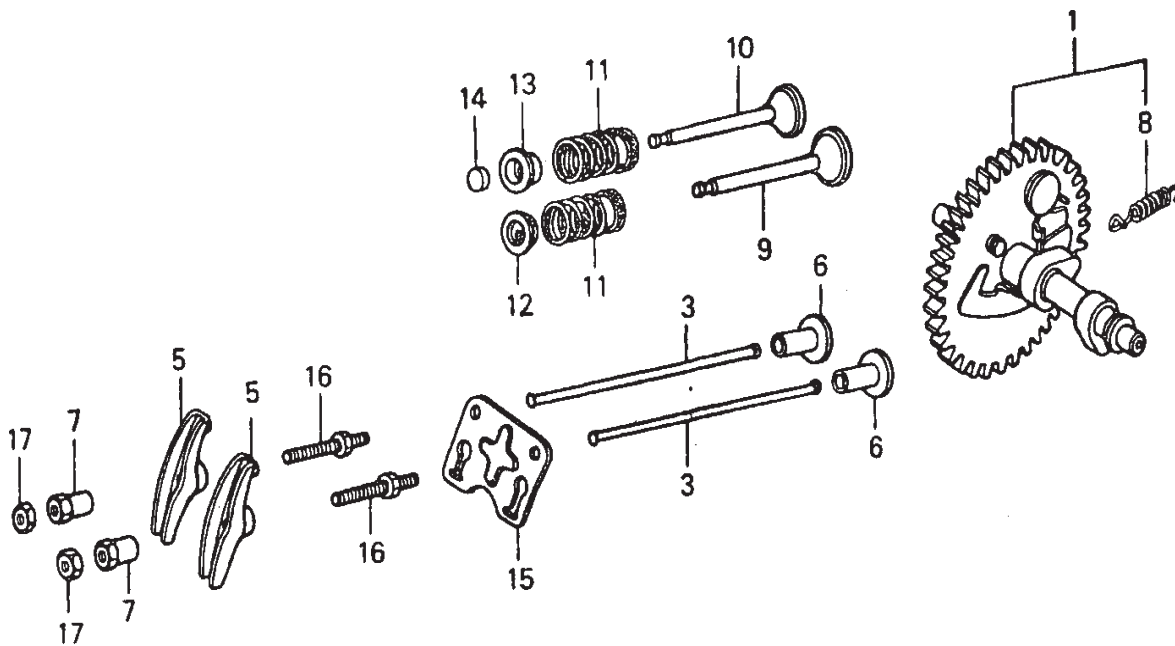


HONDA GX160K1QX2 — PISTON ASSY.

PISTON ASSY.

<u>NO</u>	<u>PART NO</u>	<u>PART NAME</u>	<u>QTY.</u>	<u>REMARKS</u>
1	13010ZH8941	RING SET, PISTON (STD)	1	
1	13011ZH8941	RING SET, PISTON (0.25)	1	
1	13012ZH8941	RING SET, PISTON (0.50)	1	
1	13013ZH8941	RING SET, PISTON (0.75)	1	
2	13101ZH8000	PISTON (STD)	1	
2	13102ZH8000	PISTON (0.25)	1	
2	13103ZH8000	PISTON (0.50)	1	
2	13104ZH8000	PISTON (0.75)	1	
3	13111ZE1000	PISTON PIN	1	
4	13200ZE1010	CONNECTING ROD ASSY.	1	INCLUDES ITEMS W/#
5#	90001ZE1000	CONNECTING ROD BOLT	2	
6	90551ZE1000	CLIP, PISTON PIN 18MM	2	

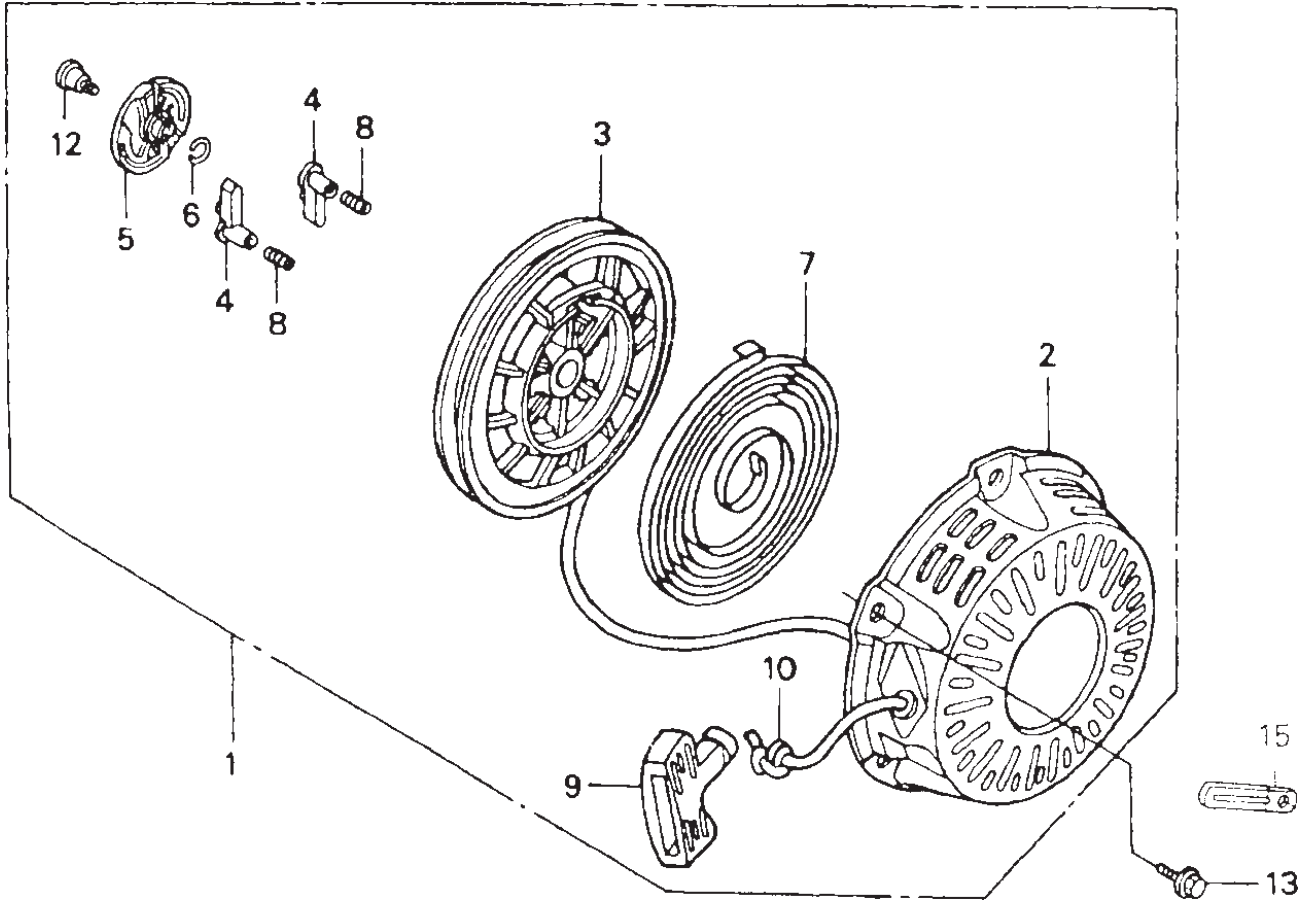
HONDA GX160K1QX2 — CAMSHAFT ASSY.



HONDA GX160K1QX2 — CAMSHAFT ASSY.

<u>NO</u>	<u>PART NO</u>	<u>PART NAME</u>	<u>QTY.</u>	<u>REMARKS</u>
1	14100ZE1812	CAMSHAFT ASSY.	1	INCLUDES ITEMS W/#
3	14410ZE1010	PUSH ROD	2	
5	14431ZE1000	ARM, VALVE ROCKER	2	
6	14441ZE1010	VALVE LIFTER	2	
7	14451ZE1013	PIBOT, ROCKER ARM	2	
8#	14568ZE1000	SPRING, WEIGHT RETURN	1	
9	14711ZF1000	INLET VALVE	1	
10	14721ZF1000	EXHAUST VALVE	2	
11	14751ZF1000	SPRING, VALVE	1	
12	14771ZE1000	RETAINER, INTAKET VALVE	1	
13	14773ZE1000	RETAINER, EXHAUST VALVE	1	
14	14781ZE1000	ROTATOR, VALVE	1	
15	14791ZE1010	PLATE, PUSH ROD GUIDE	1	
16	90012ZE0010	PIBOT BOLT 8MM	2	
17	90206ZE1000	NUT, PIBOT ADJUSTING	2	

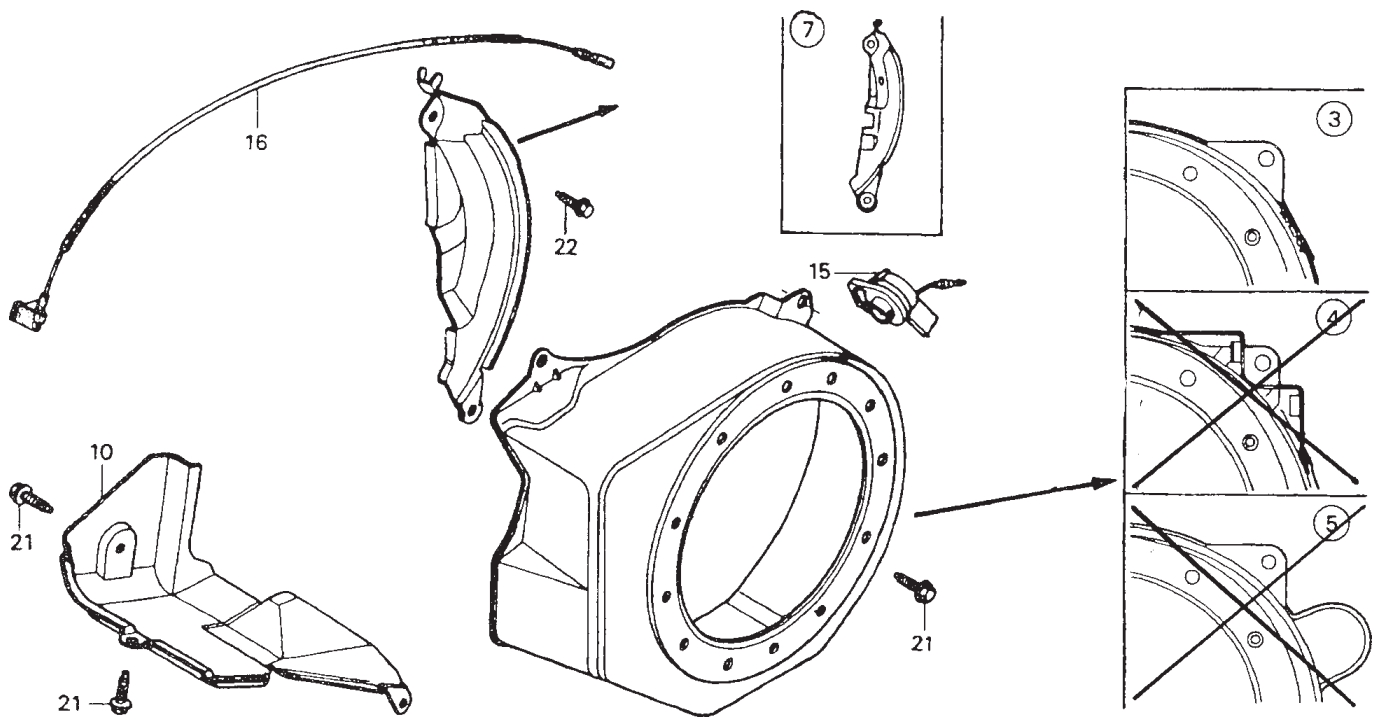
HONDA GX160K1QX2 — RECOIL STARTER ASSY.



HONDA GX160K1QX2 — RECOIL STARTER ASSY.

<u>NO</u>	<u>PART NO</u>	<u>PART NAME</u>	<u>QTY.</u>	<u>REMARKS</u>
1	28400ZH8013ZA	RECOIL STARTER*NH1* (RED)	1	INCLUDES ITEMS W/#
1	28400ZH8013ZB	RECOIL STARTER*NH1* (BLACK) .	1	INCLUDES ITEMS W/#
2#	28410ZH8003ZA	CASE COMP., STARTER	1	
3#	28420ZH8013	REEL RECOIL STARTER	1	
4#	28422ZH8013	RACHET STARTER	2	
5#	28433ZH8003	RACHET GUIDE	1	
6#	28441ZH8003	FRICTION SPRING	1	
7#	28442ZH8003	SPRING, RECOIL STARTER	1	
8#	28443ZH8003	SPRING, RETURN	2	
9#	28461ZH8003	STARTER KNOB	1	
10#	28462ZH8003	ROPE, RECOIL STARTER	1	
12#	90003ZH8003	SET SCREW	1	
13	957010600800	FLANGE BOLT 6X8	3	
15	32901MA1000	CLIP, CORD	1	

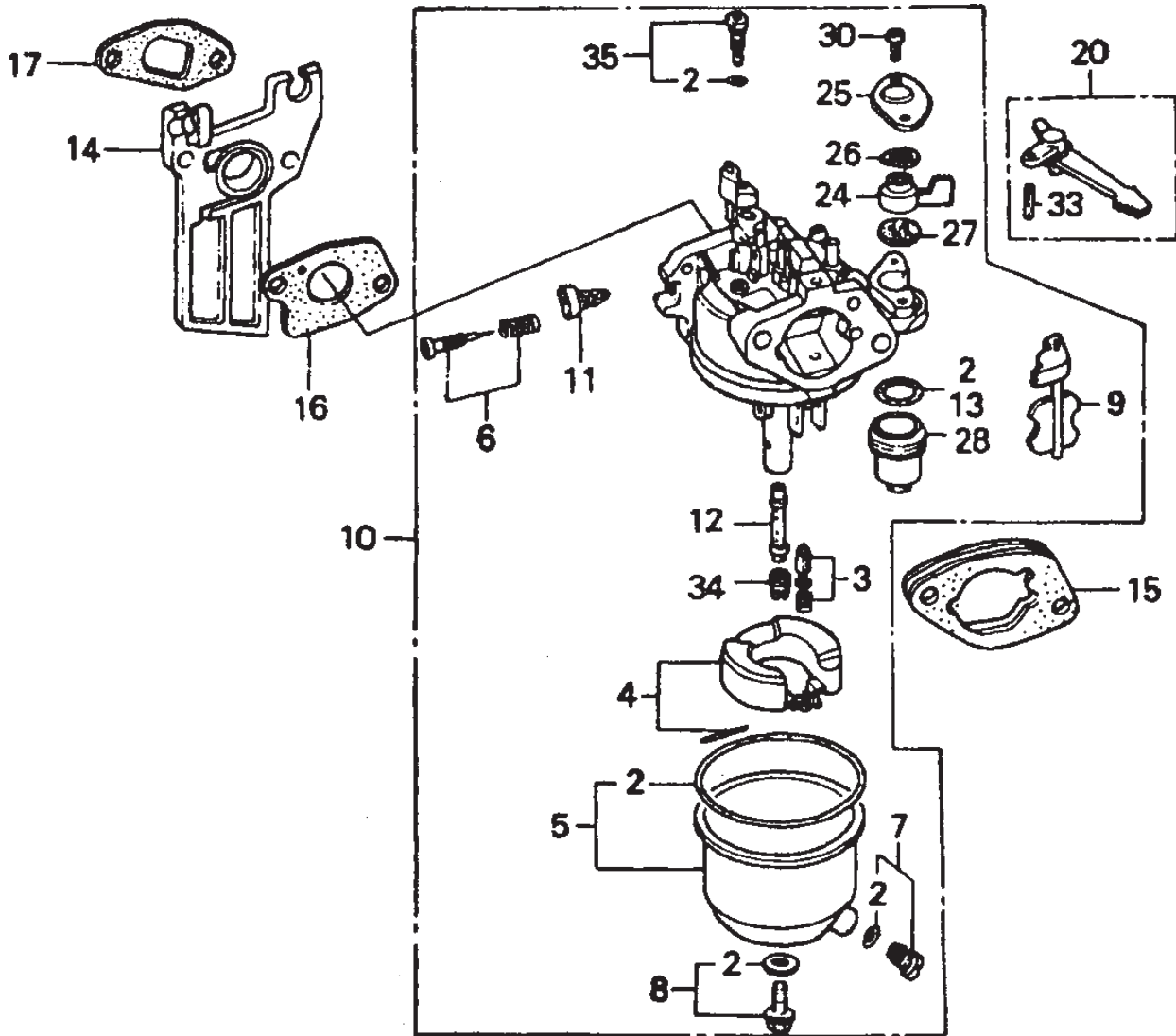
HONDA GX160K1QX2 — FAN COVER ASSY.



HONDA GX160K1QX2 — FAN COVER ASSY.

<u>NO</u>	<u>PART NO</u>	<u>PART NAME</u>	<u>QTY.</u>	<u>REMARKS</u>
3	19610ZE1000ZA	FAN COVER COMP.	1	
7	19612ZH8000	SIDE PLATE (STD)	1	
10	19630ZH8000	SHROUD COMP.	1	
15	36100ZE1015	SWITCH ASSY. ENGINE STOP	1	
16	36101ZE1010	CORD, STOP SWITCH 370MM	1	
21	90013883000	FLANGE BOLT 6X12	6	
22	90022888010	FLANGE BOLT 6X20	1	

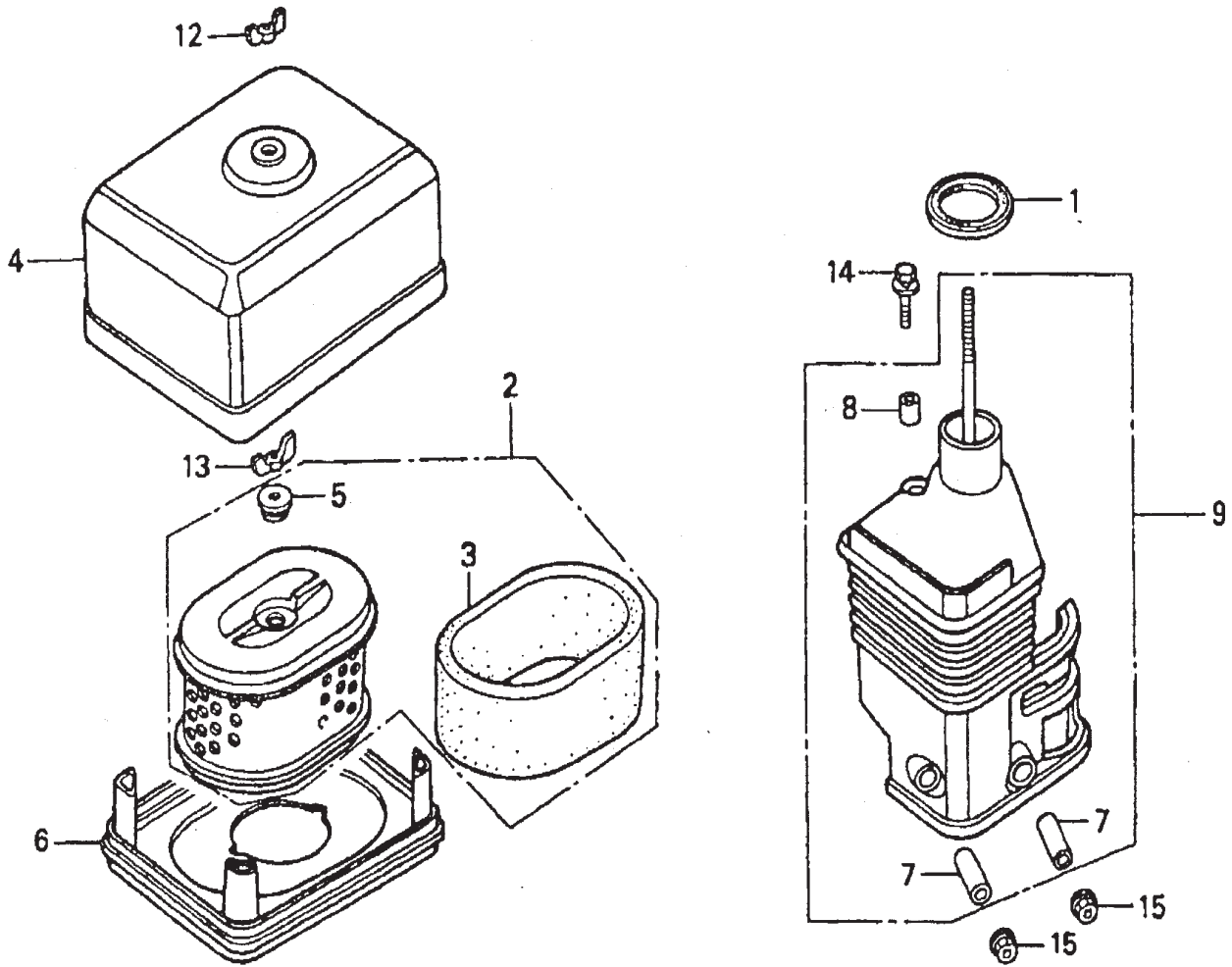
HONDA GX160K1QX2 — CARBURETOR ASSY.



HONDA GX160K1QX2 — CARBURETOR ASSY.

<u>NO</u>	<u>PART NO</u>	<u>PART NAME</u>	<u>QTY.</u>	<u>REMARKS</u>
2#	16010ZE1812	GASKET SET	1	
3#	16011ZE0005	FLOAT VALVE SET	1	
4#	16013ZE0005	FLOAT SET	1	
5#	16015ZE0831	FLOAT CHAMBER SET	1	INCLUDES O' RING
6#	16016ZE0005	PILOT SCREW	1	
7#	16024ZE1811	DRAIN SCREW SET	1	INCLUDES GASKET
8#	16028ZE0005	SCREW SET	1	INCLUDES GASKET
9#	16044ZE0005	CHOKE SET	1	
10	16100ZH8822	CARBURETOR ASSY.	1	INCLUDES ITEMS W/#
11#	16124ZE0005	SCREW, THROTTLE STOP	1	
12#	16166ZH8W50	MAIN NOXXLE	1	
13#	16173001004	PACKING, CUP	1	
14	16211ZE1000	INSULATOR, CARBURETOR	1	
15	16220ZE1020	SPACER COMP., CARBURETOR	1	
16	16221ZH8801	PACKING, CARBURETOR	1	
17	16212ZH8800	PACKING, INSULATOR	1	
20	16610XE1000	CHOKE LEVER COMP.	1	INCLUDES ITEM W/*
24#	16953ZE1812	LEVER, COCK	1	
25#	16954ZE1812	PLATE, LEVER SETTING	1	
26#	16956ZE1811	SPRING, COCK LEVER	1	
27#	16957ZE1812	PACKING, FUEL COCK	1	
28#	16967ZE0811	CUP, FUEL STRAINER	1	
30#	93500030061H	SCREW 3X6	2	
33*	9430520122	SPRING PIN 2X12	1	
34#	99101ZH80700	MAIN JET #70	1	
35#	99204ZE00350	PILOT JET SET #35	1	INCLUDES GASKET

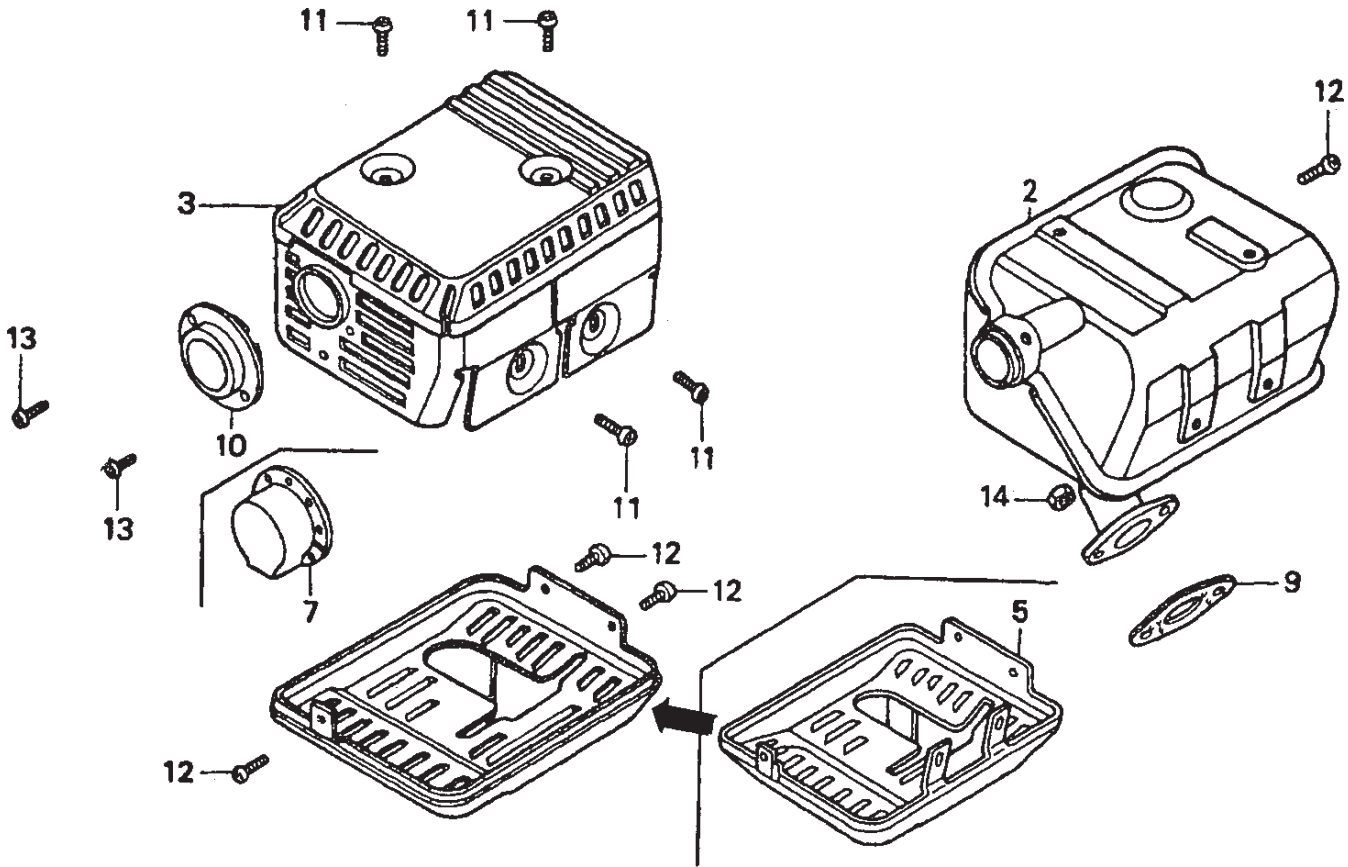
HONDA GX160K1QX2 — AIR CLEANER ASSY.



HONDA GX160K1QX2 — AIR CLEANER ASSY.

<u>NO</u>	<u>PART NO</u>	<u>PART NAME</u>	<u>QTY.</u>	<u>REMARKS</u>
1	16271ZE1000	PACKING, ELBOW	1	
2	17210ZE1822	CLEANER ELEMENT	1	INCLUDES ITEMS W/*
3*	17218ZE1821	OUTER ELEMENT	1	
4	17230ZE1820	COVER, AIR CLEANER	1	
5*	17232891000	GROMET, AIR CLEANER	1	
6	17235ZE1831	NOSE, SILENCER	1	
7%	17238ZE7010	COLLAR, AIR CLEANER	2	
8%	17239ZE1000	COLLAR (B), AIR CLEANER	1	
9	17410ZE1020	ELBOW COMP., AIR CLEANER ...	1	INCLUDES ITEMS W/%
12	90325044000	NUT	1	
13	90325044000	NUT	1	
14	957010602000	FLANGE BOLT 6X20	1	
15	9405006000	FLANGE BOLT 6MM	2	

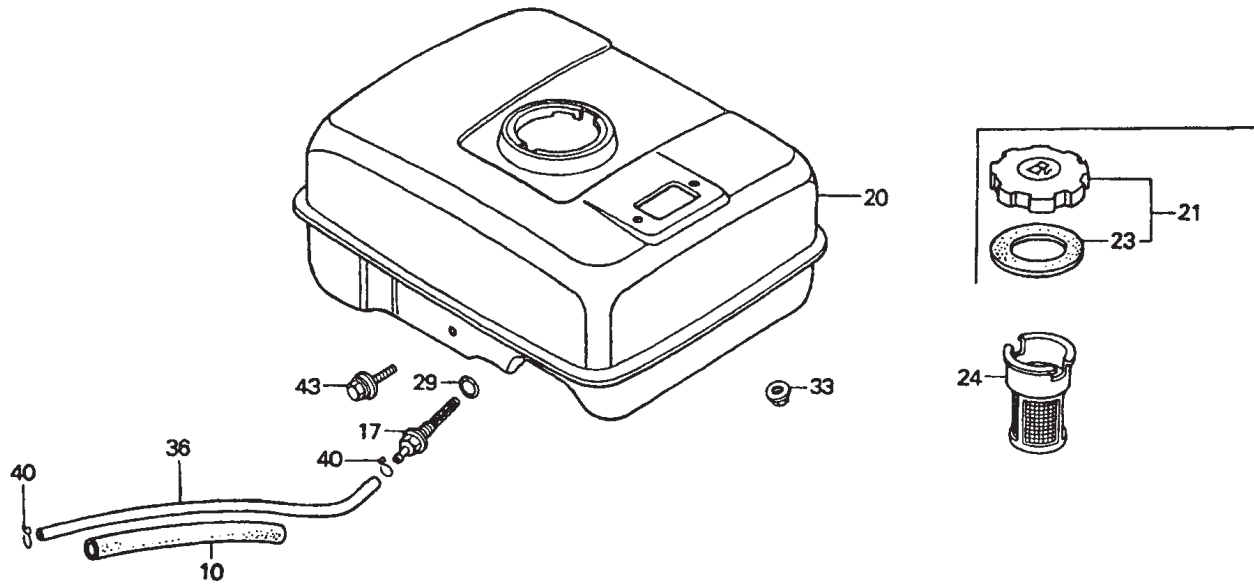
HONDA GX160K1QX2 — MUFFLER ASSY.



HONDA GX160K1QX2 — MUFFLER ASSY.

<u>NO</u>	<u>PART NO</u>	<u>PART NAME</u>	<u>QTY.</u>	<u>REMARKS</u>
2	18310ZF1000	MUFFLER COMP.	1	
3	19320ZF1H01	MUFFLER PROCTOR (STD)	1	
5	18325ZE1010	PROCTECTOR, LOWER	1	
7	18340ZE1010	DEFLECTOR CP	1	
9	18381ZH8800	GASKET, MUFFLER	1	
10	18522ZE1000	GUIDE, MUFFLER	1	
11	90050ZE1000	TAPPING SCREW 5X8	4	
12	90055ZE1000	TAPPING SCREW 4X6	3	
13	90002ZG0003	TAPPING SCREW 4X8	2	
14	94001080000S	NUT	2	

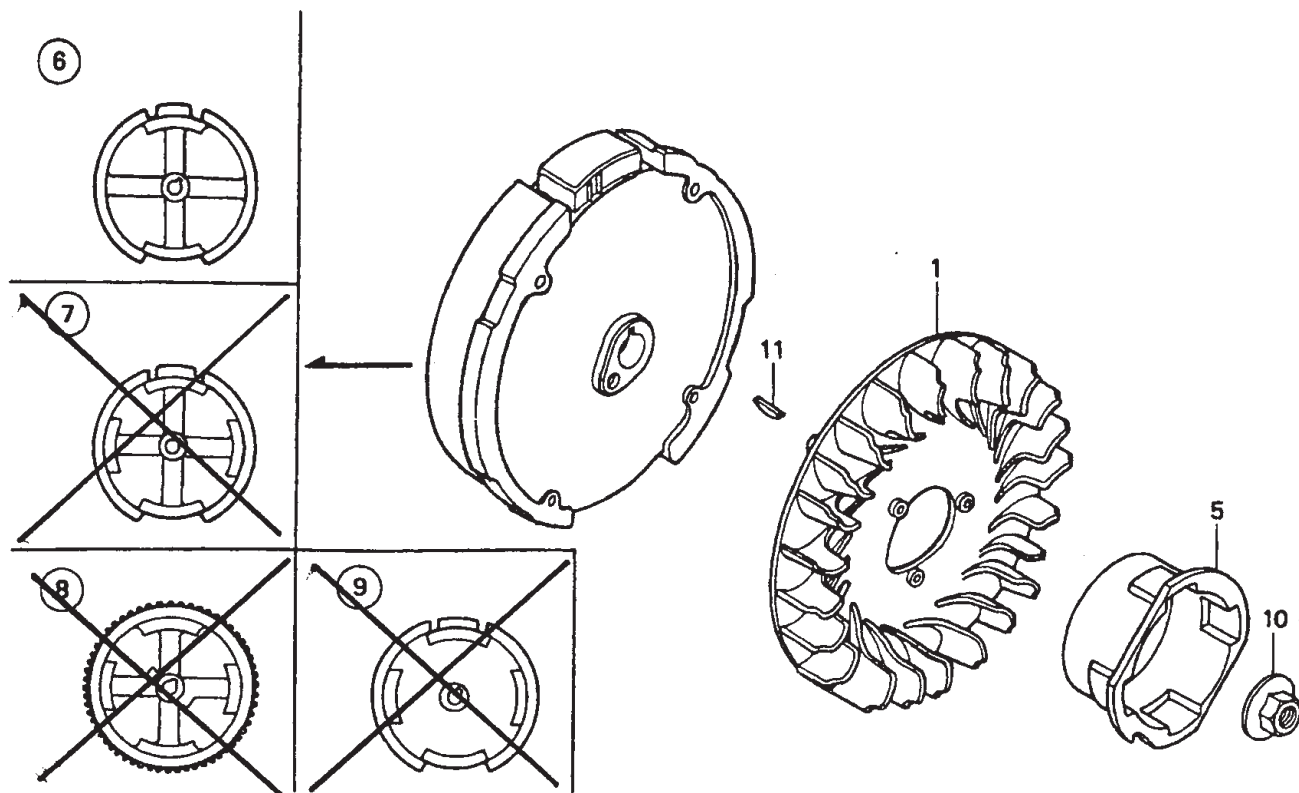
HONDA GX160K1QX2 — FUEL TANK ASSY.



HONDA GX160K1QX2 — FUEL TANK ASSY.

<u>NO</u>	<u>PART NO</u>	<u>PART NAME</u>	<u>QTY.</u>	<u>REMARKS</u>
10	16854ZH8000	RUBBER, SUPPORT (107MM)	1	
17	16955ZE1000	JOINT, FUEL TANK	1	
20	17510ZE1020ZA	FUEL TANK COMP.	1	
21	17620ZH7023	FUEL TANK CAP CP	1	INCLUDES ITEMS W/%
23%	17631ZH7003	PACKING	1	
24	17672ZE2W01	FUEL FILTER	1	
29	91353671004	O-RING 14MM	1	
33	9405006000	FLANGE NUT 6MM	2	
36	950014514040	FUEL TUBE 4.5X140	1	
40	9500202080	CLIP, TUBE	2	
43	957010602500	FLANGE BOLT 6X25	1	

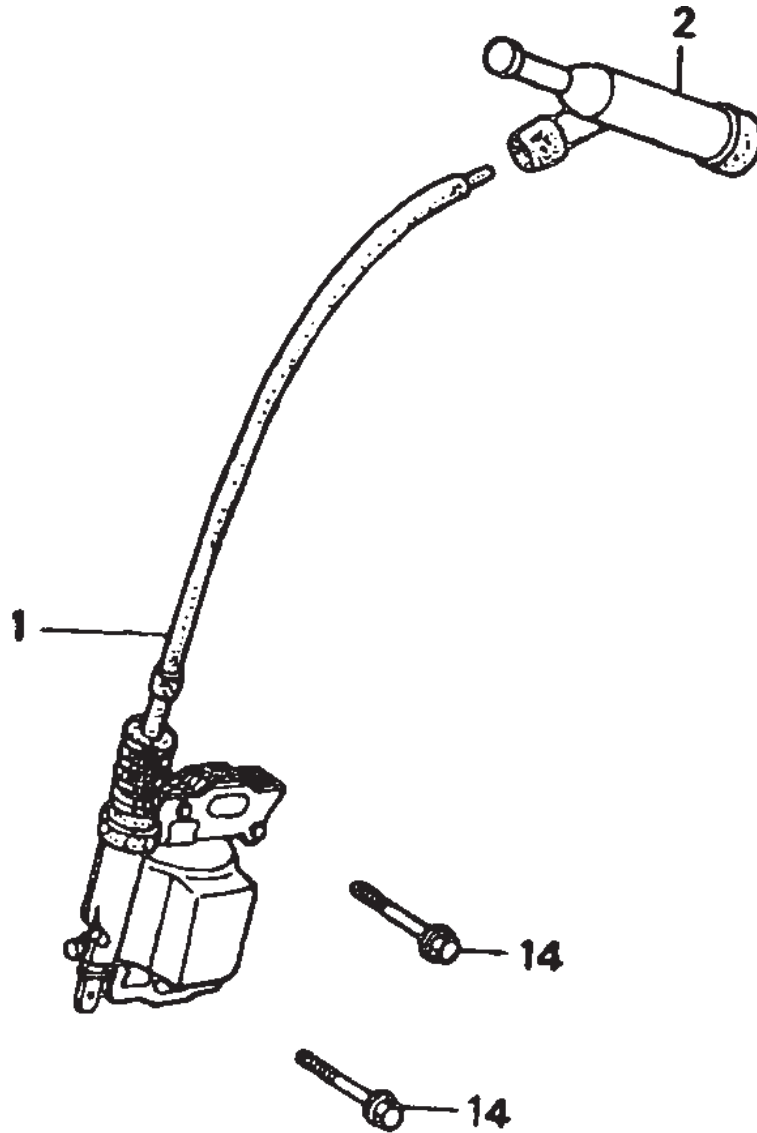
HONDA GX160K1QX2 — COOLING FAN & FLYWHEEL ASSY.



HONDA GX160K1QX2 — COOLING FAN & FLYWHEEL ASSY.

<u>NO</u>	<u>PART NO</u>	<u>PART NAME</u>	<u>QTY.</u>	<u>REMARKS</u>
1	19511ZE1000	COOLING FAN	1	
5	28451ZH8003	STARTER PULLEY	1	
6	31100ZE1010	FLYWHEEL COMP.	1	
10	90201878003	SPECIAL NUT 14MM	1	
11	13331357000	WOODRUFF KEY 25X18	1	

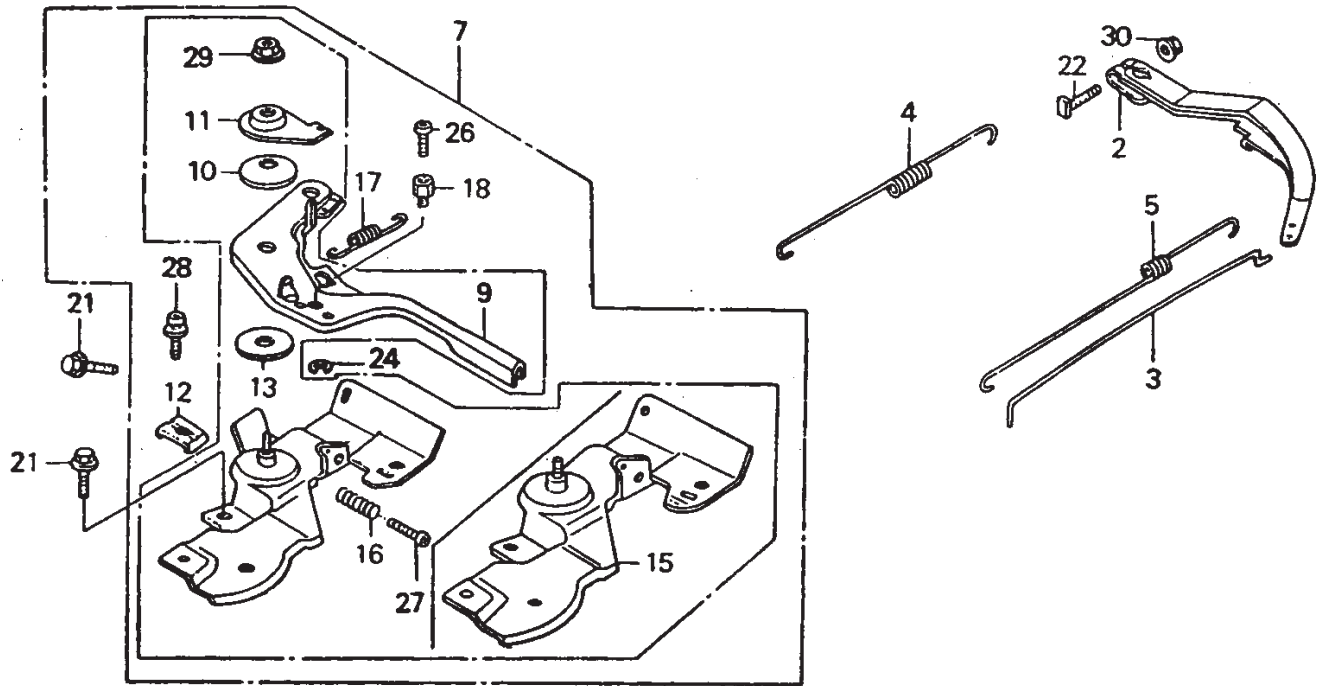
HONDA GX160K1QX2 — IGNITION COIL ASSY.



HONDA GX160K1QX2 — IGNITION COIL ASSY.

<u>NO</u>	<u>PART NO</u>	<u>PART NAME</u>	<u>QTY.</u>	<u>REMARKS</u>
1	30500ZE1033	IGNITION COIL CP ASSY.	1	
2	30600ZE1013	SPARK PLUG CAP ASSY.	1	
14	90121952000	FLANGE BOLT 6X25	2	

HONDA GX160K1QX2 — CONTROL ASSY.



HONDA GX160K1QX2 — CONTROL ASSY.

<u>NO</u>	<u>PART NO</u>	<u>PART NAME</u>	<u>QTY.</u>	<u>REMARKS</u>
2	16551ZE0010	GOVERNOR ARM	1	
3	16555ZE1000	GOVERNOR ROD	1	
4	16561ZE1020	GOVERNOR SPRING	1	
5	16562ZE1020	SPRING, THROTTLE	1	
7	16500ZH8812	CONTROL ASSY.	1	
9	16571ZH8010	LEVER CONTROL	1	
10	16574ZE1000	LEVER SPRING	1	
11	16575ZH8000	WASHER, CONTROL LEVER	1	
12	16576891000	HOLDER, CABLE	1	
13	16578ZE1000	SPACER, CONTROL LEVER	1	
15	16580ZH8812	CONTROL BASE COMP.	1	
16	16584883300	ADJUSTING SPRING	1	
17	16592ZE1810	SPRING, CABLE, RETURN	1	
18	16594883010	WIRE HOLDER	1	
21	90013883000	FLANGE BOLT 6 X 12	2	
22	90015ZE5010	BOLT, GOVERNOR	1	
24	90605230000	CIR CLIP	1	
26	93500040060H	SCREW 4 X 6	1	
27	93500050250H	SCREW 5X 25	1	
28	93500050160A	SCREW 5X 16	1	
29	90114SA0000	LOCK NUT 6MM	1	
30	940500600	FLANGE NUT 6MM	1	