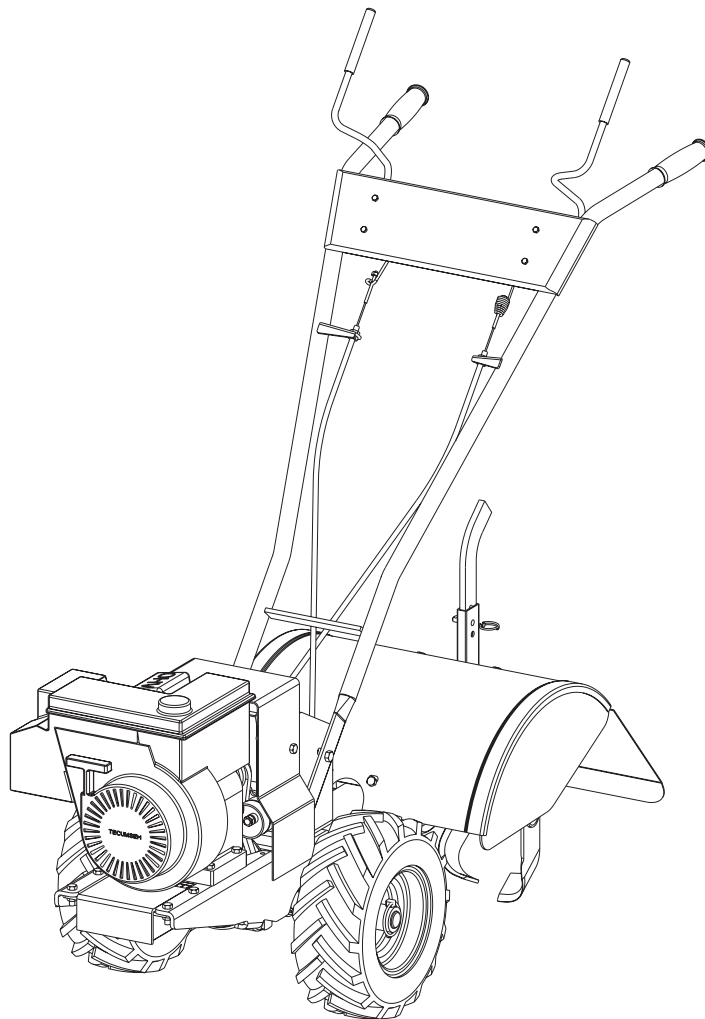


Earthquake[®]

CRT Rototiller Operator's Manual

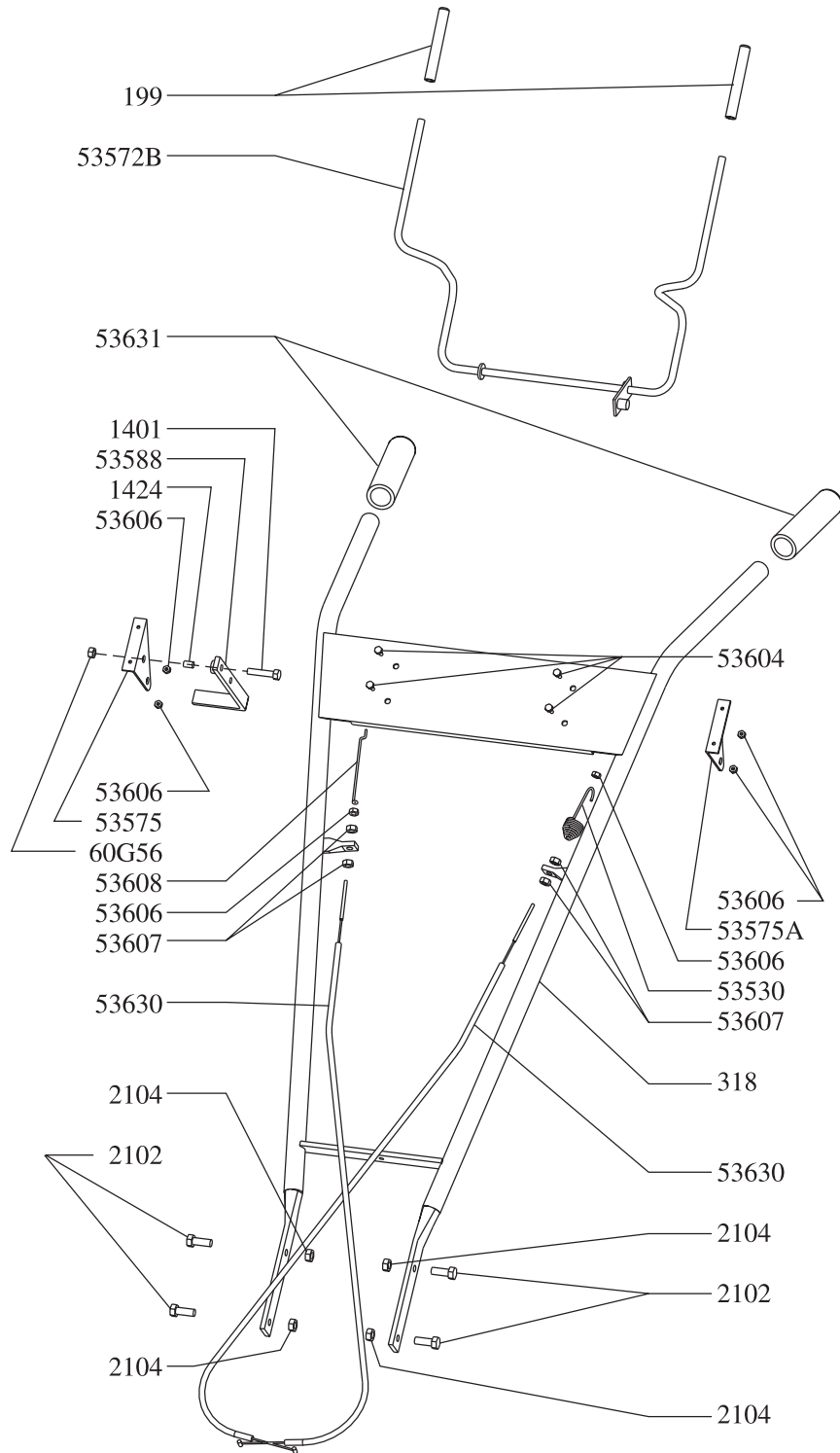


**Includes Model
5055**

OM5055
Rev. 2/4/04
© Copyright 2004 Ardisam, Inc.
All Rights Reserved. Printed in USA.



5055 Handlebar Assembly



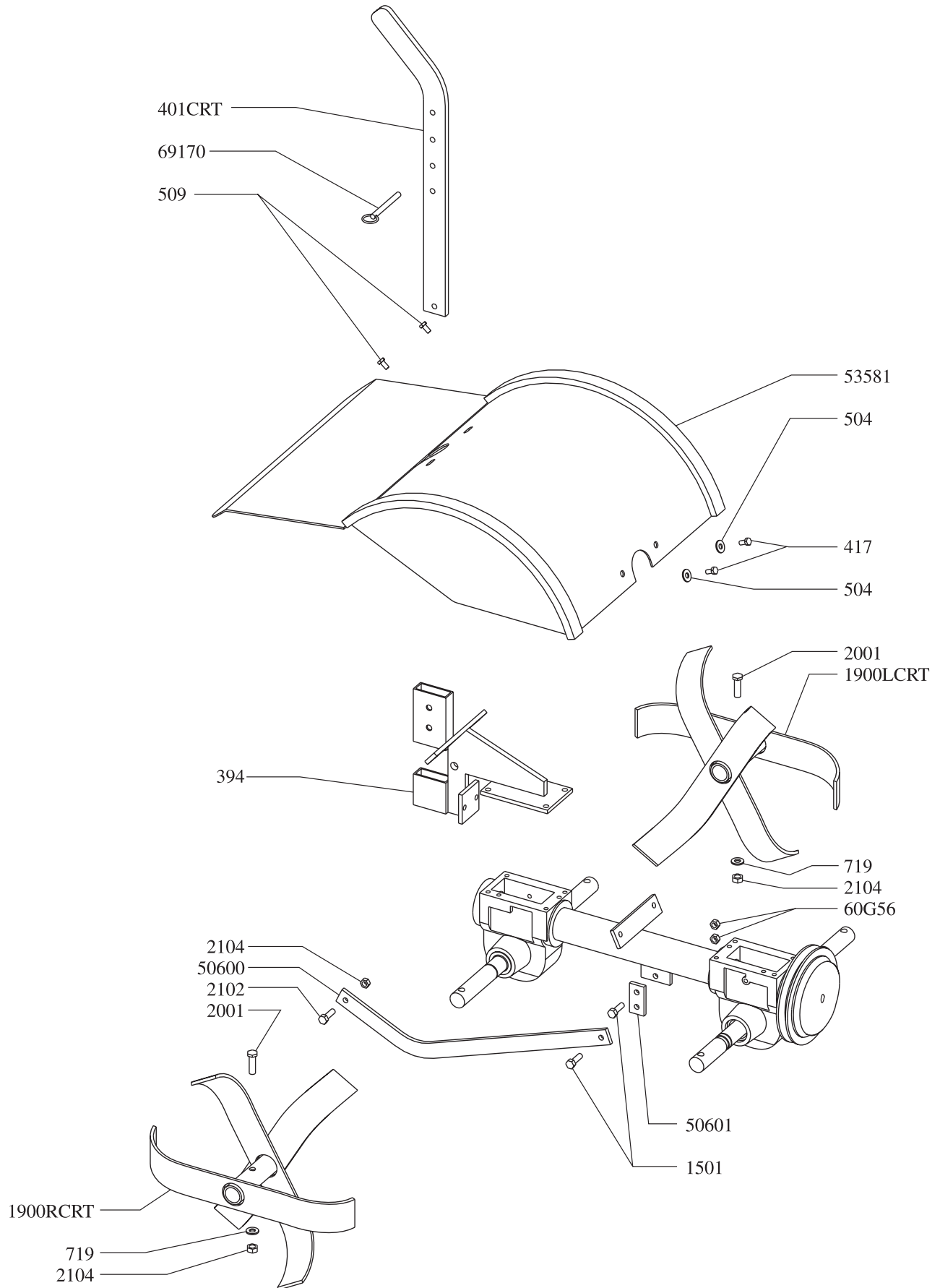


5055 Handlebar Assembly

| <u>Part #</u> | <u>Qty.</u> | <u>Description</u> |
|---------------|-------------|---------------------------------------|
| 60G56 | 1 | Nut-Bi-Way Lock, 5/16-18 |
| 199 | 2 | Handle Grip-Drive Control Lever |
| 318 | 1 | Handlebar Assembly |
| 1401 | 1 | Bolt-Hex Hd, 5/16-18 x 1-1/4" |
| 1424 | 1 | Bushing-Pivot, 5/16" |
| 2102 | 4 | Bolt-Hex Hd, 3/8-16 x 1", Grade 5 |
| 2104 | 4 | Nut-Hex, 3/8-16 |
| 53530 | 1 | Spring-Bee Hive, Forward Cable Adjust |
| 53572B | 1 | Drive Control Lever |
| 53575 | 1 | Bracket-Drive Control Lever, Right |
| 53575A | 1 | Bracket-Drive Control Lever, Left |
| 53588 | 1 | Reverse Handle |
| 53604 | 4 | Cap Screw-Button Hd, 10-24 x 3/8" |
| 53606 | 6 | Nut-Nyloc, #10 |
| 53607 | 4 | Nut-Jam, 5/16-24 |
| 53608 | 1 | Reverse Link |
| 53630 | 2 | Cable Assembly |
| 53631 | 2 | Handle Grip, No Flange |



5055 Tines & Hood Assembly



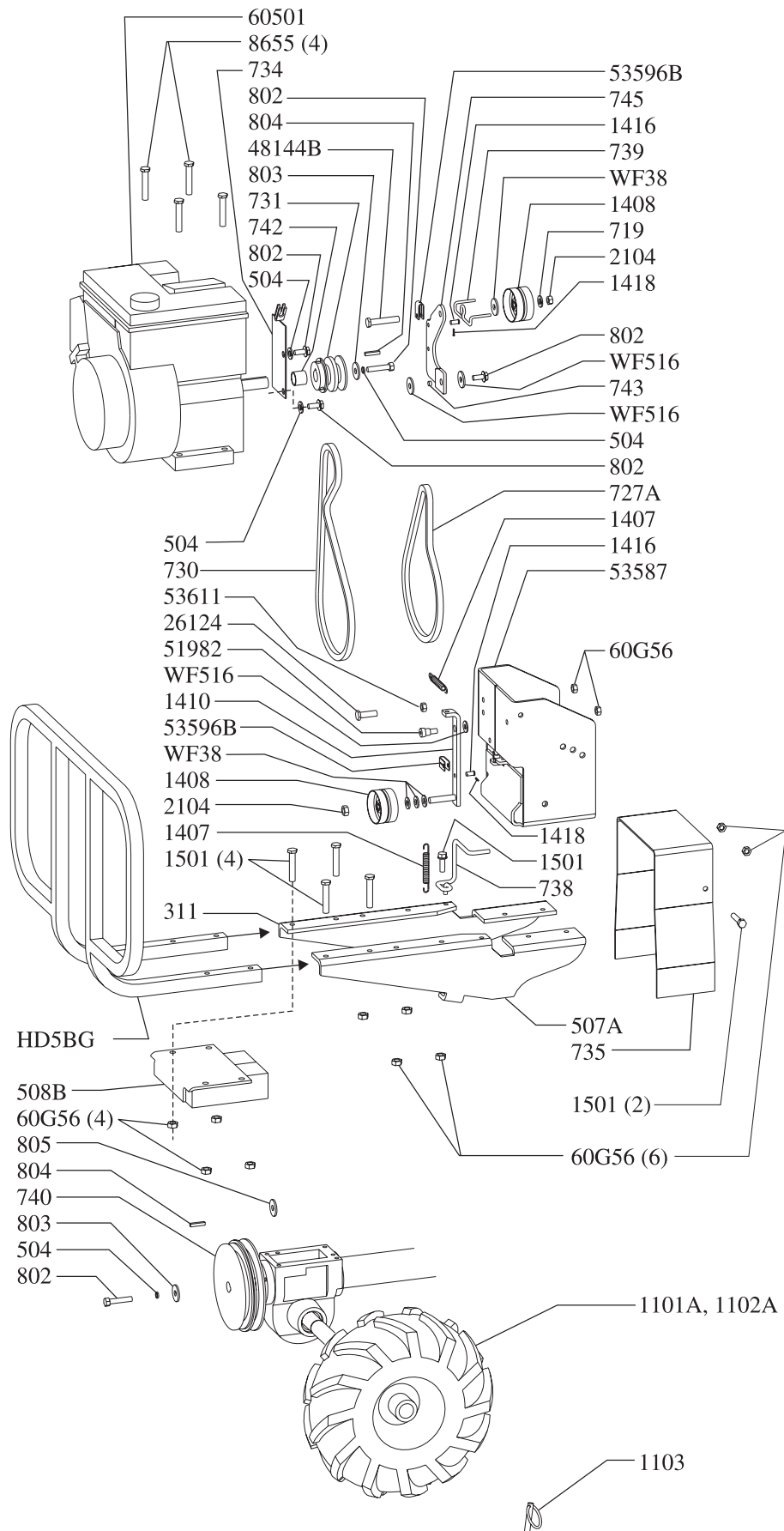


5055 Tines & Hood Assembly

| <u>Part #</u> | <u>Qty.</u> | <u>Description</u> |
|---------------|-------------|---|
| 60G56 | 2 | Nut-Bi-Way Lock, 5/16-18 |
| 394 | 1 | Bracket-Depth Regulator, Black, 2-holes |
| 401CRT | 1 | Depth Regulator Lever, Black, 4-holes |
| 417 | 2 | Bolt-Hex Hd, 5/16-18 x 1/2", Grade 5 |
| 504 | 2 | Lockwasher-Spring, 5/16" |
| 509 | 2 | Bolt-Hex Hd, 1/4-20 x 1/2" |
| 719 | 2 | Lockwasher-Spring, 3/8" |
| 1501 | 2 | Bolt-Hex Flange Head, 5/16-18 x 3/4" |
| 1900LCRT | 1 | Tine Set, Left Side, Complete Assembly |
| 1900RCRT | 1 | Tine Set, Right Side, Complete Assembly |
| 2001 | 2 | Bolt-Hex Hd, 3/8-16 x 1-3/4" |
| 2102 | 1 | Bolt-Hex Hd, 3/8-16 x 1", Grade 5 |
| 2104 | 3 | Locknut-Hex, 3/8-16 |
| 50600 | 1 | Drag Bar-Lower |
| 50601 | 1 | Linkage-Lower Drag Bar |
| 53581 | 1 | Hood-Tiller, w/Side Shields, w/o Decals |
| 69170 | 1 | Detent Pin, 5/16" x 2" |



5055 Motor Mount Assembly



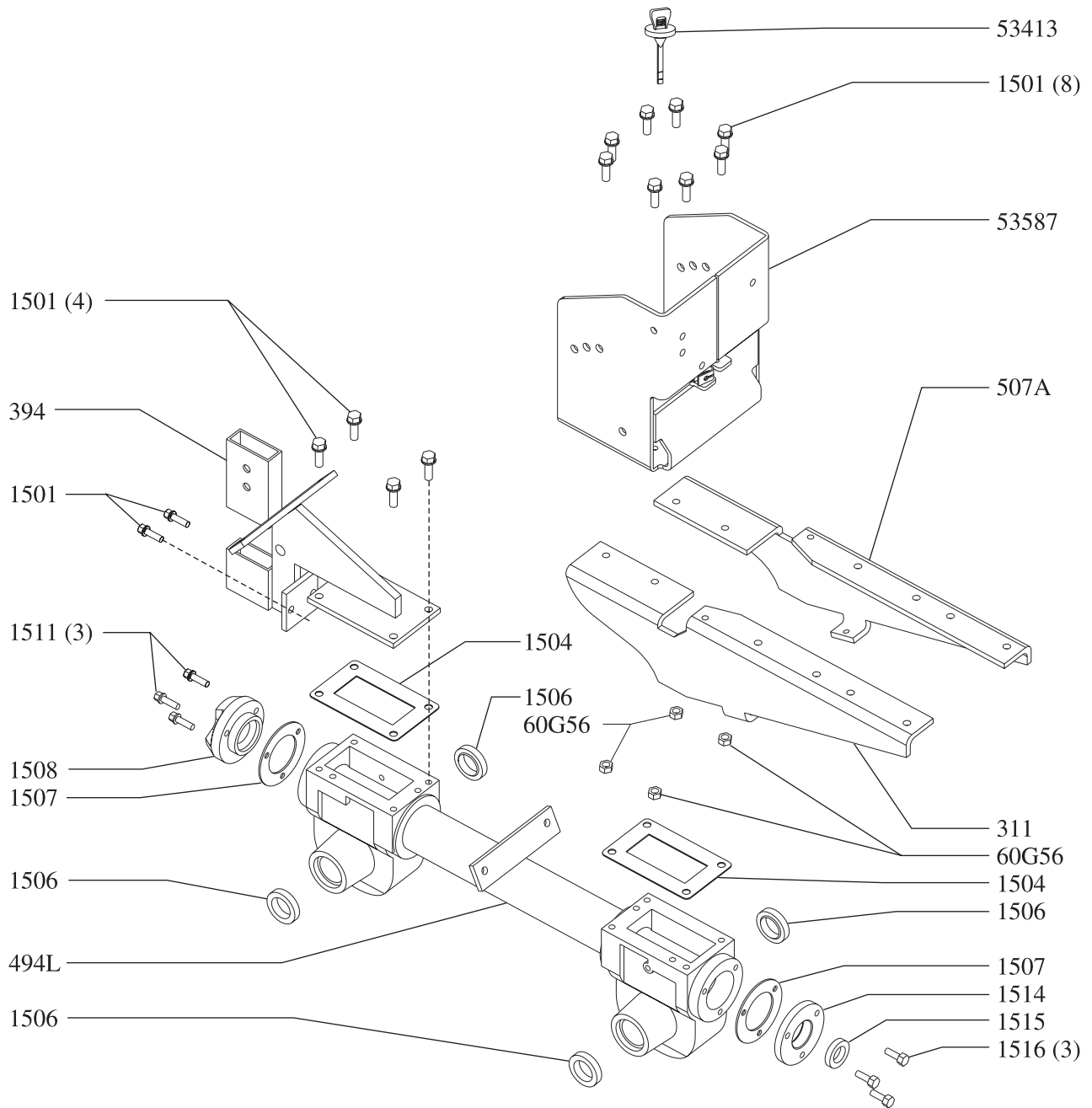


5055 Motor Mount Assembly

| <u>Part #</u> | <u>Qty.</u> | <u>Description</u> |
|---------------|-------------|---|
| 60G56 | 12 | Nut-Bi-Way Lock, 5/16-18 |
| 311 | 4 | Bracket-Motor Mount, Right |
| 504 | 4 | Lockwasher-Spring, 5/16" |
| 507A | 1 | Bracket-Motor Mount, Left |
| 508B | 1 | Weight-Complete |
| 719 | 1 | Lockwasher-Spring, 3/8" |
| 727A | 1 | Belt-Forward |
| 730 | 1 | Belt-Reverse |
| 731 | 1 | Pulley-2 Groove, Engine |
| 734 | 1 | Bracket-Engine |
| 735 | 1 | Belt Cover |
| 738 | 1 | Belt Guide-Forward |
| 739 | 1 | Belt Guide-Reverse |
| 740 | 1 | Pulley-2 Groove, Transmission |
| 742 | 1 | Spacer-Engine, Short |
| 743 | 1 | Bushing |
| 745 | 1 | Pivot Arm-Reverse |
| 802 | 5 | Bolt-Hex Hd, 5/16-24 x 3/4", Grade 5 |
| 803 | 2 | Washer, 5/16" ID x 1-5/8" OD, Engine Pulley |
| 804 | 2 | Key, 3/16 x 1" |
| 805 | 1 | Washer-Flat, 11/16" ID, Transmission Pulley |
| 1101A | 1 | Wheel/Tire Assembly, Left Side |
| 1102A | 1 | Wheel/Tire Assembly, Right Side |
| 1103 | 2 | Lockpin |
| 1407 | 2 | Spring-Idler Arm |
| 1408 | 2 | Pulley-Forward/Reverse Idler |
| 1410 | 1 | Idler Arm-Forward |
| 1416 | 2 | Link Pin-Forward/Reverse |
| 1418 | 2 | Cotter Pin |
| 1501 | 7 | Bolt-Hex Flange Head, 5/16-18 x 3/4", Grade 5 |
| 2104 | 2 | Nut-Bi-Way Lock, 3/8-16 |
| 8655 | 4 | Bolt-Hex Hd, 5/16-18 x 1-3/4" |
| 26124 | 1 | Bolt-HHCS, 5/16-18 x 1", Grade 5 |
| 48144B | 1 | Bolt-HHCS, 3/8-16 x 2", Grade 5 |
| 51982 | 1 | Bolt-Soc Hd Shoulder, 3/8-16 x 3/8" |
| 53587 | 1 | Front Cover Plate & Handlebar Mount |
| 53596B | 2 | Cable Yoke |
| 53611 | 1 | Nut-Hex, 5/16" |
| 60501 | 1 | Engine, 6-hp Intek Briggs |
| HD5BG | 1 | Bumper Guard, (Optional) |
| OIL05 | 1 | Oil, One Quart 30W |
| WF38 | 4 | Washer-Flat, 3/8" |
| WF516 | 3 | Washer-Flat, 5/16" |



5055 Transmission Assembly



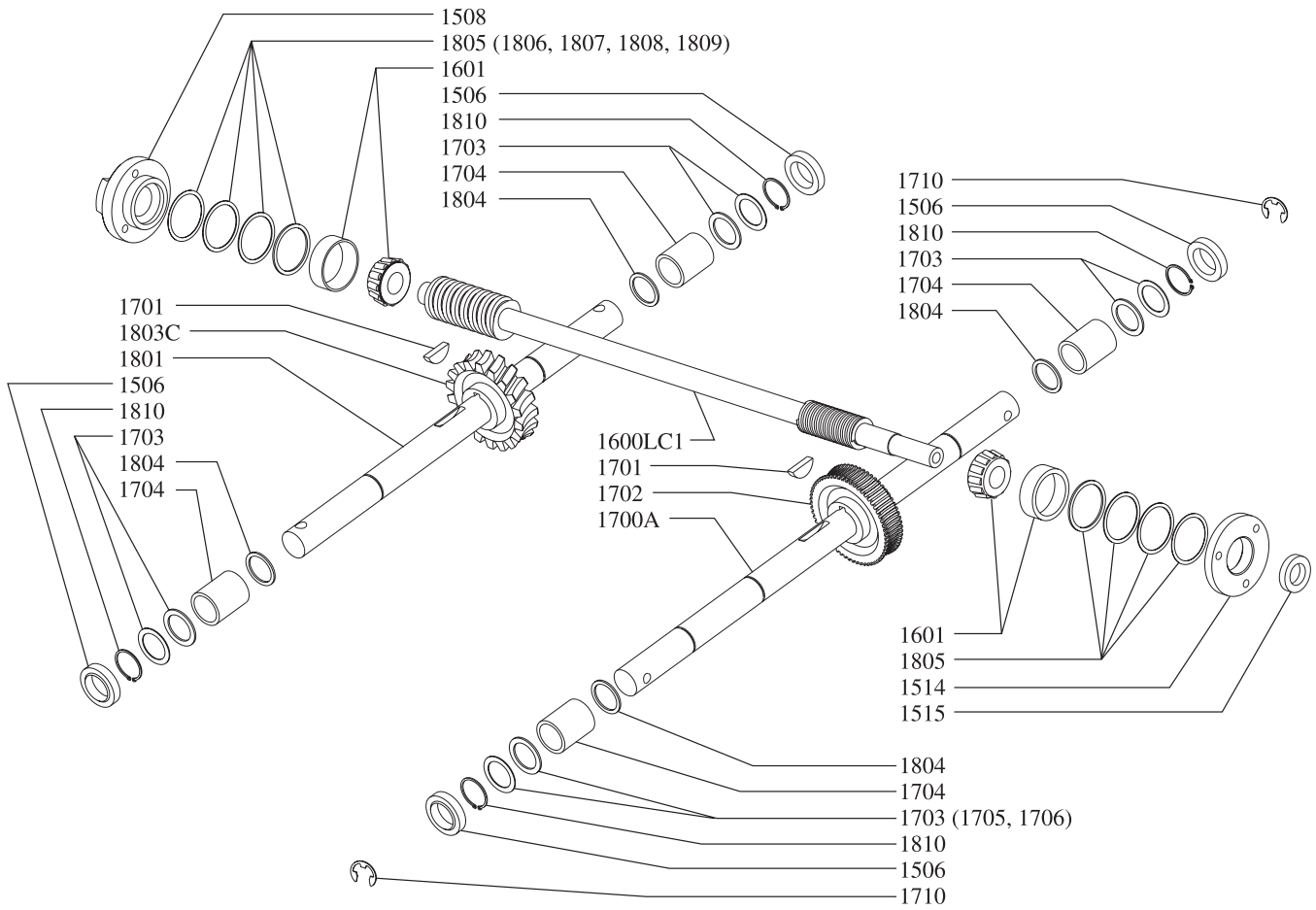


5055 Transmission Assembly

| <u>Part #</u> | <u>Qty.</u> | <u>Description</u> |
|---------------|-------------|--|
| 60G56 | 4 | Nut-Bi-Way Lock, 5/16-18 |
| 311 | 1 | Bracket-Motor Mount, Right |
| 394 | 1 | Bracket-Depth Regulator, Black, 2-holes |
| 494L | 1 | Tiller Transmission Casting |
| 507A | 1 | Bracket-Motor Mount, Left |
| 1500CRT1 | 1 | Transmission Assembly, Lockpin (Replacement Only) |
| 1501 | 14 | Bolt-Hex Flange Hd, 5/16-18 x 3/4", Grade 5 |
| 1504 | 2 | Gasket-Tiller Housing & Transmission Cover |
| 1506 | 4 | Seal-Tiller Housing |
| 1507 | 2 | Gasket-Front Rear Bearing Cap |
| 1508 | 1 | Cap-Rear Bearing |
| 1511 | 3 | Bolt-Hex Flange Hd, 1/4-20 x 7/8" |
| 1514 | 1 | Cap-Front Bearing |
| 1515 | 1 | Oil Seal-Drive Shaft |
| 1516 | 3 | Bolt-Hex Flange Hd, 1/4-20 x 3/4" |
| 1517 | 1 | Kit-Oil Seal Gasket (Includes two #1504, four #1506, two #1507, one #1515) |
| 1690 | 1 | Transmission Lube 00, 1 Qt. |
| 53413 | 1 | Dipstick, Molded 1-Pc. Rubber |
| 53587 | 1 | Front Cover Plate & Handlebar Mount |



5055 Wheel & Tiller Shaft Assembly





5055 Wheel & Tiller Shaft Assembly

| <u>Part #</u> | <u>Qty.</u> | <u>Description</u> |
|---------------|-------------|--|
| 1506 | 4 | Seal-Tiller Housing |
| 1508 | 1 | Cap-Rear Bearing |
| 1514 | 1 | Cap-Front Bearing |
| 1515 | 1 | Oil Seal-Drive Shaft |
| 1600LC1 | 1 | Main Drive Shaft, LH |
| 1601 | 2 | Bearing-Tapered (Includes Cone & Race) |
| 1700A | 1 | Wheel Shaft Assembly, Lockpin |
| 1701 | 2 | Key 1/4" x 1" |
| 1702 | 1 | Gear-Worm, Brass, 61 Tooth, Wheel Shaft |
| 1703 | 4 | Shim Set-Axle Spacer Kit |
| 1704 | 4 | Bushing |
| 1705 | 4 | Shim, 1.375 OD x .062" thick, (as req'd.) |
| 1706 | 2 | Shim, 1.375 OD x .030" thick, (as req'd.) |
| 1710 | 2 | Snap Ring-Retainer, External |
| 1801 | 1 | Tiller Shaft Assembly |
| 1803C | 1 | Gear-Worm, Brass, 30 Tooth, LH, Tiller Shaft |
| 1804 | 4 | Spacer, 1.250" x 1.000" x .062" thick |
| 1805 | 2 | Shim Set-Bearing Cap |
| 1806 | 6 | Shim, 1.750 OD x .062" thick, (as req'd.) |
| 1807 | 2 | Shim, 1.750 OD x .030" thick, (as req'd.) |
| 1808 | 2 | Shim, 1.750 OD x .015" thick, (as req'd.) |
| 1809 | 2 | Shim, 1.750 OD x .010" thick, (as req'd.) |
| 1810 | 4 | Snap Ring-Retainer, Internal |