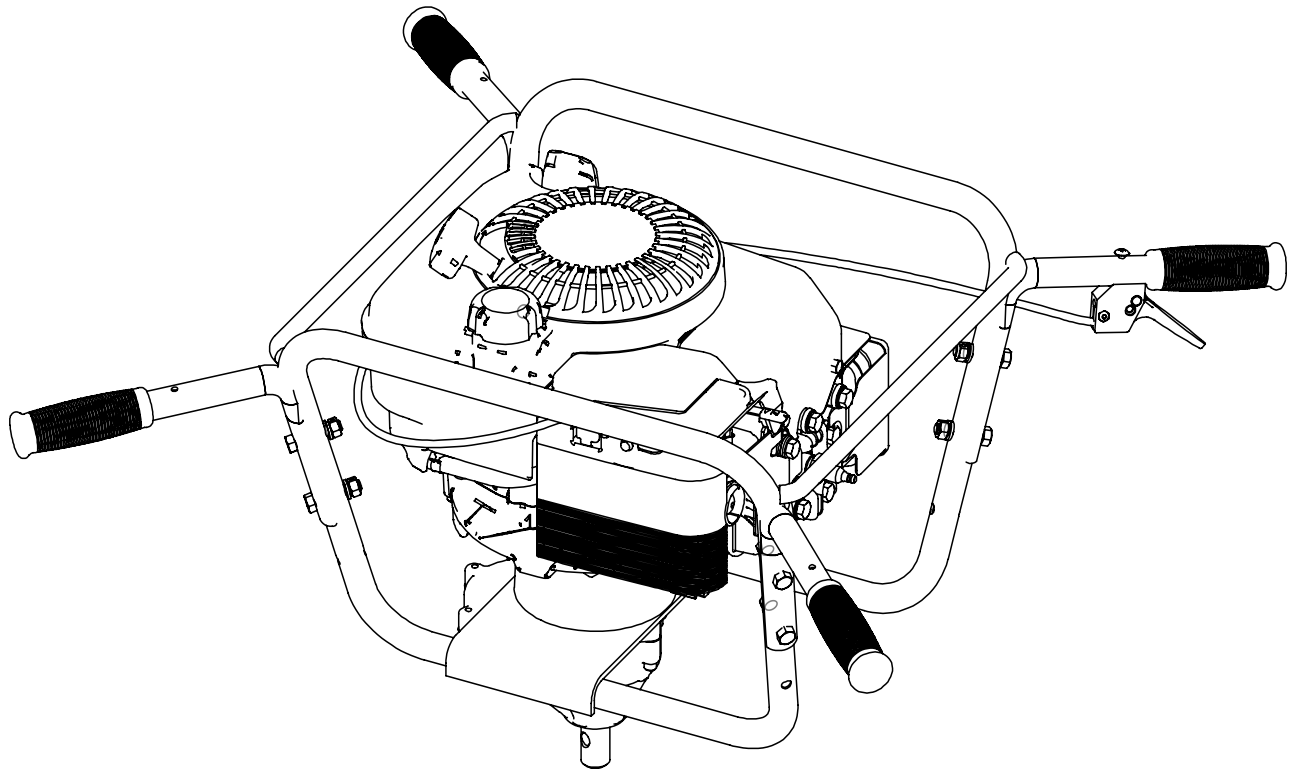




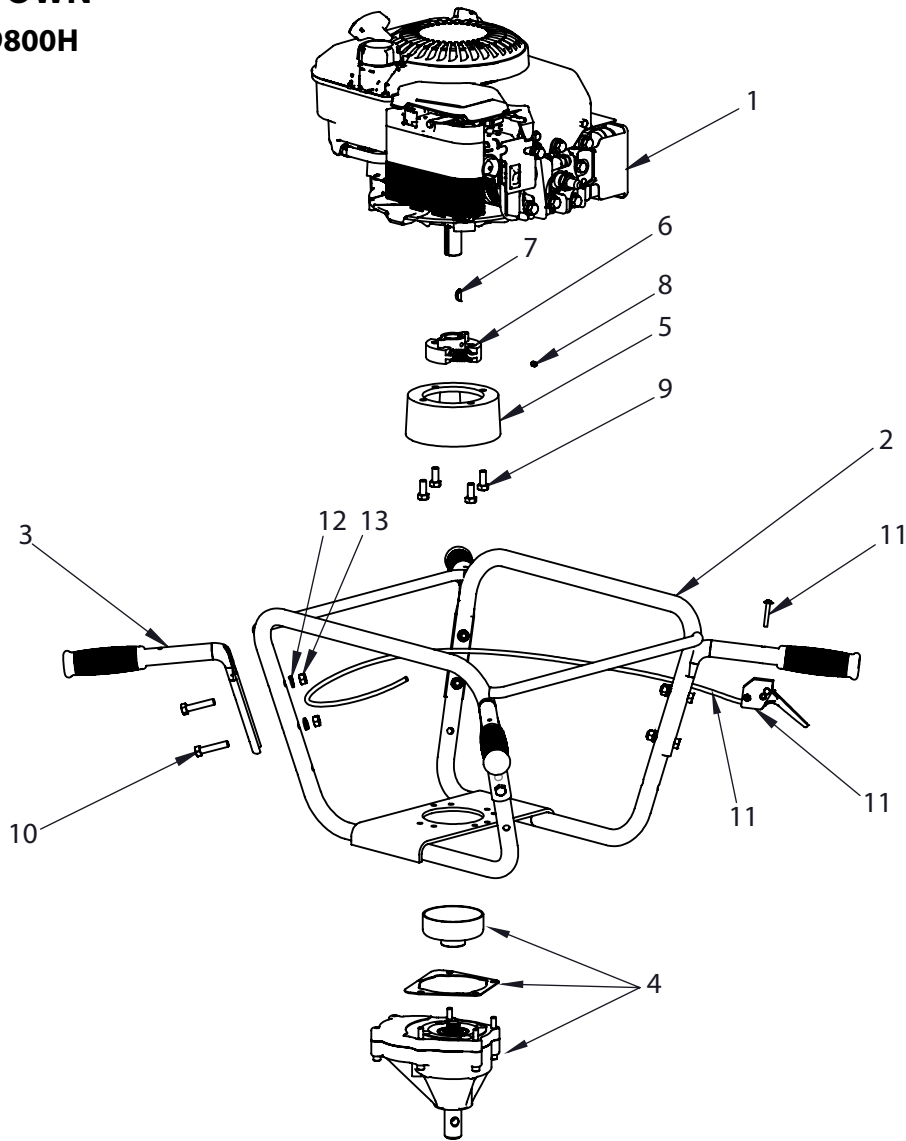
Operator's Manual
Original Operating Instructions

**Two-Man
Earth Auger Powerhead
9800 Series**



Includes models:
9800B
9800H
9800BCE (European)

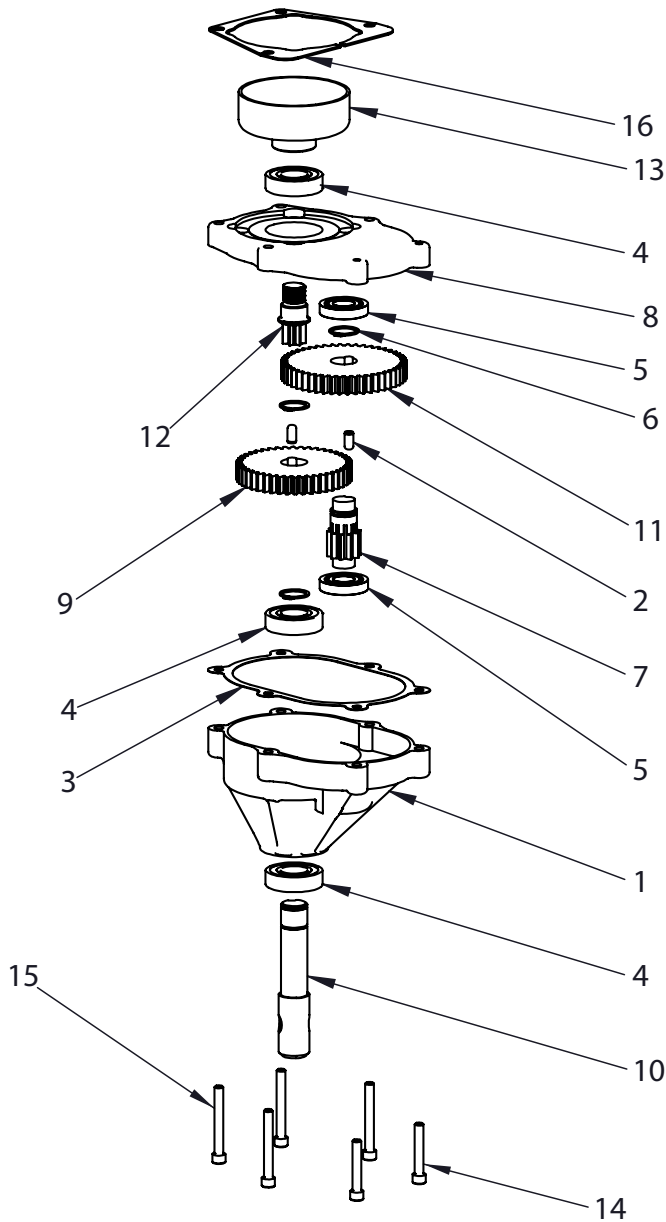
PARTS BREAKDOWN 9800B/9800BCE/9800H



KEY NO.	PART NO.	DESCRIPTION	QTY.
1	513	ENGINE, BRIGGS 675 SERIES	1
	513CE	ENGINE, BRIGGS 675 SERIES CE	1
	GCV160	ENGINE 160CC HONDA	1
2	9819	WELDMENT, FRAME 9800	1
3	9827	HANDLE AND THROTTLE GRIP 9800	4
4	9800BTRANKIT	TRANSMISSION ASSEMBLY 30:1 (9800B/9800BCE ONLY)	1
	98005	TRANSMISSION ASSEMBLY 30:1 (9800H ONLY)	1
5	9837A	MOUNT RING COMPLETE 9800 SERIES	1
6	9825	ROTOR CENTRIFUGAL CLUTCH	1

KEY NO.	PART NO.	DESCRIPTION	QTY.
7	WK6	KEY WOODRUFF 5/32 X 5/8	1
8	--	SET SCREW 1/4-20 X 1/4 SCPC BLK OXIDED	1
9	420	BOLT 5/16-24 X 3/4 PFCS	4
10	503	BOLT 5/16-18 X 1-1/2 HH	8
11	9801	CABLE THROTTLE W/TRIGGER 9800B/9800BCE ONLY	1
	4819	TRIGGER ASSEMBLY (NO CABLE, 9800H ONLY)	1
	9805A	CABLE (NO TRIGGER, 9800H ONLY)	1
12	504	LOCKWASHER SPRING 5/16 INCH	8
13	60G56	NUT 5/16-18 BI-WAY LOCK GR5 ZN	8

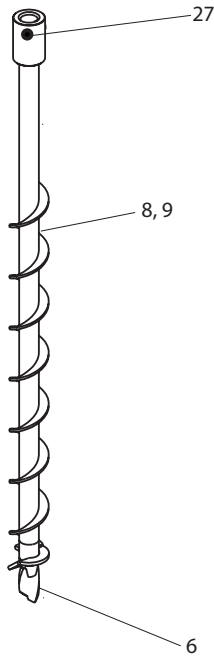
9800B/9800BCE/9800H TRANSMISSION PARTS EXPLOSION



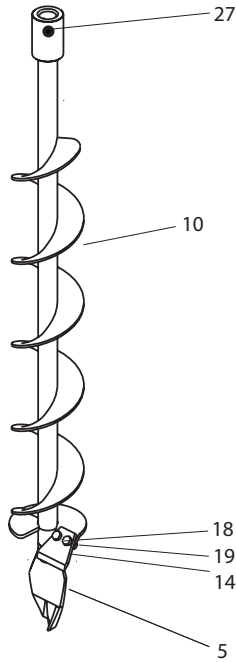
KEY NO.	PART NO.	DESCRIPTION	QTY.
1	8939	CASE GEAR BOX LOWER HALF	1
2	8915	DOWEL PIN STEEL 1/4 INCH X 1/2 INCH	2
3	8919	GASKET-POWERHEAD TRANSMISSION	1
4	8922	BEARING BALL R12 DOUBLE LIP SEALED 3/4 IN. I.D.	3
5	8923	BEARING BALL R10 OPEN 5/8 IN. I.D.	2
6	8924	RING RETAINING EXTERNAL 3/4 INCH	3
7	9214A	GEAR 10T CLUSTER PINION HT	1
8	8985	CASTING TOP MACHINED	1
9	8912	GEAR 44T 3/4 IN. HOLE	1
10	8913	SHAFT OUTPUT	1
11	8914	GEAR 48T HARD	1
12	9814	GEAR 7T PINION THREADED	1
13	9018	CLUTCH DRUM 3" THREADED SHORT	1
14	8929	BOLT 1/4-20 X 1-1/2 SHCS	2
15	8935	BOLT 1/4-20 X 2 SHCS F-T	4
16	3004149	SHIM, 9800 TRANSMISSION TOP	1

AUGER PARTS EXPLOSIONS

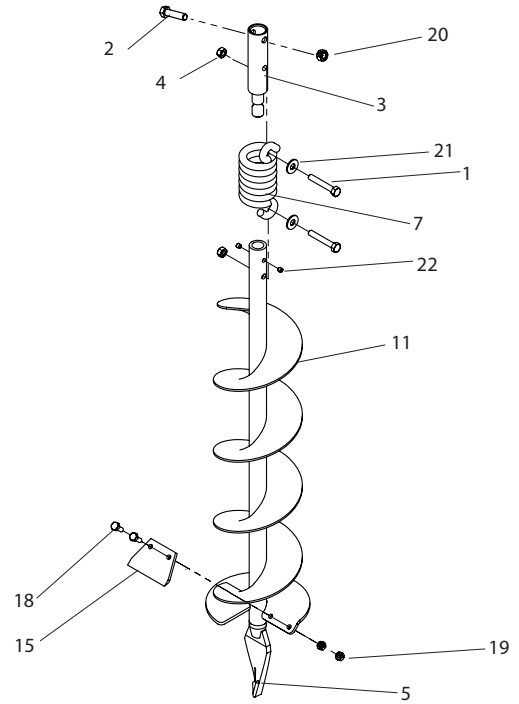
EA2F, EA3F



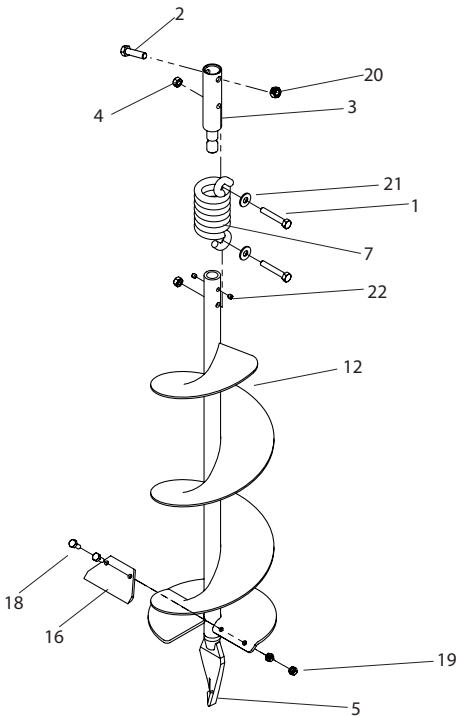
EA4F



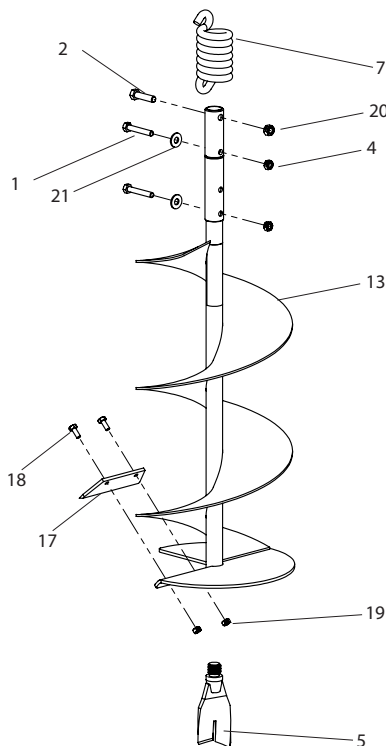
EA6F



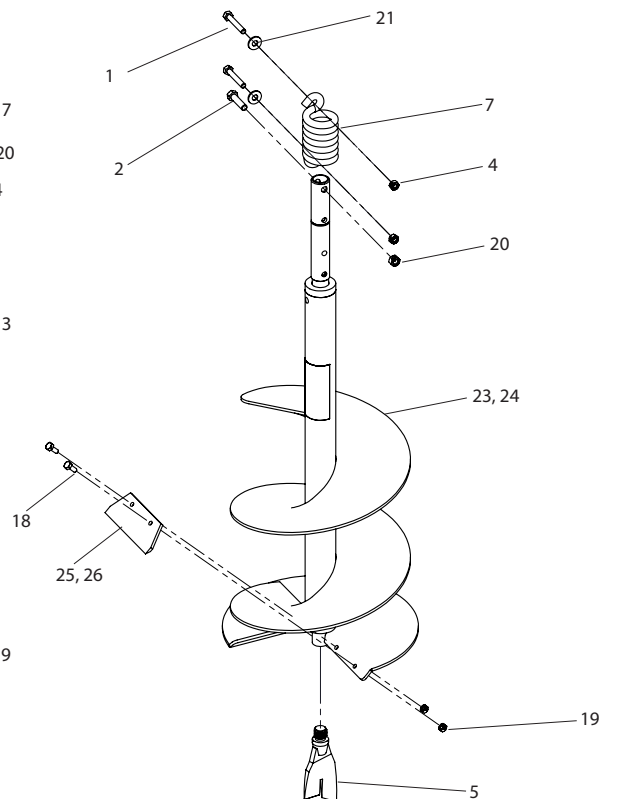
EA8F



EA10F



EA12F, EA14F



AUGER PARTS LIST

KEY NO.	PART NO.	DESCRIPTION	QTY.
1	1423	BOLT-HHCS, 5/16-18 X 2", GRADE 5 (auger shock spring)	2
2	1433	BOLT-HHCS, 3/8-16 X 1-1/2" (auger to powerhead)	2
3	53684	SHOCKTOP 1-PC (used on 6" and 8" earth augers)	1
4	60G56	NUT-HEX 2-WAY REVERSIBLE LOCKNUT, 5/16-18	2
5	8958HD	FISHTAIL POINT (used on 4" or larger earth auger)	1
6	8970	EARTH POINT (used on 2" & 3" earth auger)	1
7	8980	SHOCK SPRING (Used on 4" and larger earth augers)	1
8	EA2F	EARTH AUGER, 2" W/FISHTAIL POINT	1
9	EA3F	EARTH AUGER, 3" W/FISHTAIL POINT	1
10	EA4F	EARTH AUGER, 4" W/FISHTAIL POINT	1
11	EA6F	EARTH AUGER, 6" W/FISHTAIL POINT	1
12	EA8F	EARTH AUGER, 8" W/FISHTAIL POINT	1
13	EA10F	EARTH AUGER, 10" W/FISHTAIL POINT	1
14	EB4	EARTH BLADE, 4" (includes EBOLT & ENUT)	1
15	EB6	EARTH BLADE, 6" (includes EBOLT & ENUT)	1
16	EB8	EARTH BLADE, 8" (includes EBOLT & ENUT)	1
17	EB10	EARTH BLADE, 10" (includes EBOLT & ENUT)	1
18	EBOLT	BOLT-HEX, 1/4-28 X 5/8", GRADE 5 (earth blade to auger)	2
19	ENUT	NUT-NYLOC, 1/4-28	2
20	2104	NUT HEX LOCKING, 3/8-16	2
21	WF516	WASHER-FLAT, 5/16"	2
22	715	SET SCREW 1/4-20 X 1/4 SCPC BLK OXIDED	2
23	EA12F	EARTH AUGER, 12" W/FISHTAIL POINT	1
24	EA14F	EARTH AUGER, 14" W/FISHTAIL POINT	1
25	EB12	EARTH BLADE, 12" (includes EBOLT & ENUT)	1
26	EB14	EARTH BLADE, 14" (includes EBOLT & ENUT)	1
27	8955	BOLT 3/8-16 X 1-1/4 SHCS	1
ITEMS NOT SHOWN			
--	EXT12	DEPTH EXTENSION, 12"	1
--	EXT18	DEPTH EXTENSION, 18"	1
--	EB6HD	HEAVY DUTY EARTH BLADE, 6" (includes EBOLT & ENUT)	1
--	EB8HD	HEAVY DUTY EARTH BLADE, 8" (includes EBOLT & ENUT)	1
--	EB10HD	HEAVY DUTY EARTH BLADE, 10" (includes EBOLT & ENUT)	1
--	9811	SWITCH, ON/OFF (Not Shown)	1