

STARTING SERIAL
NO. 080110084

PROPOLISHER IV

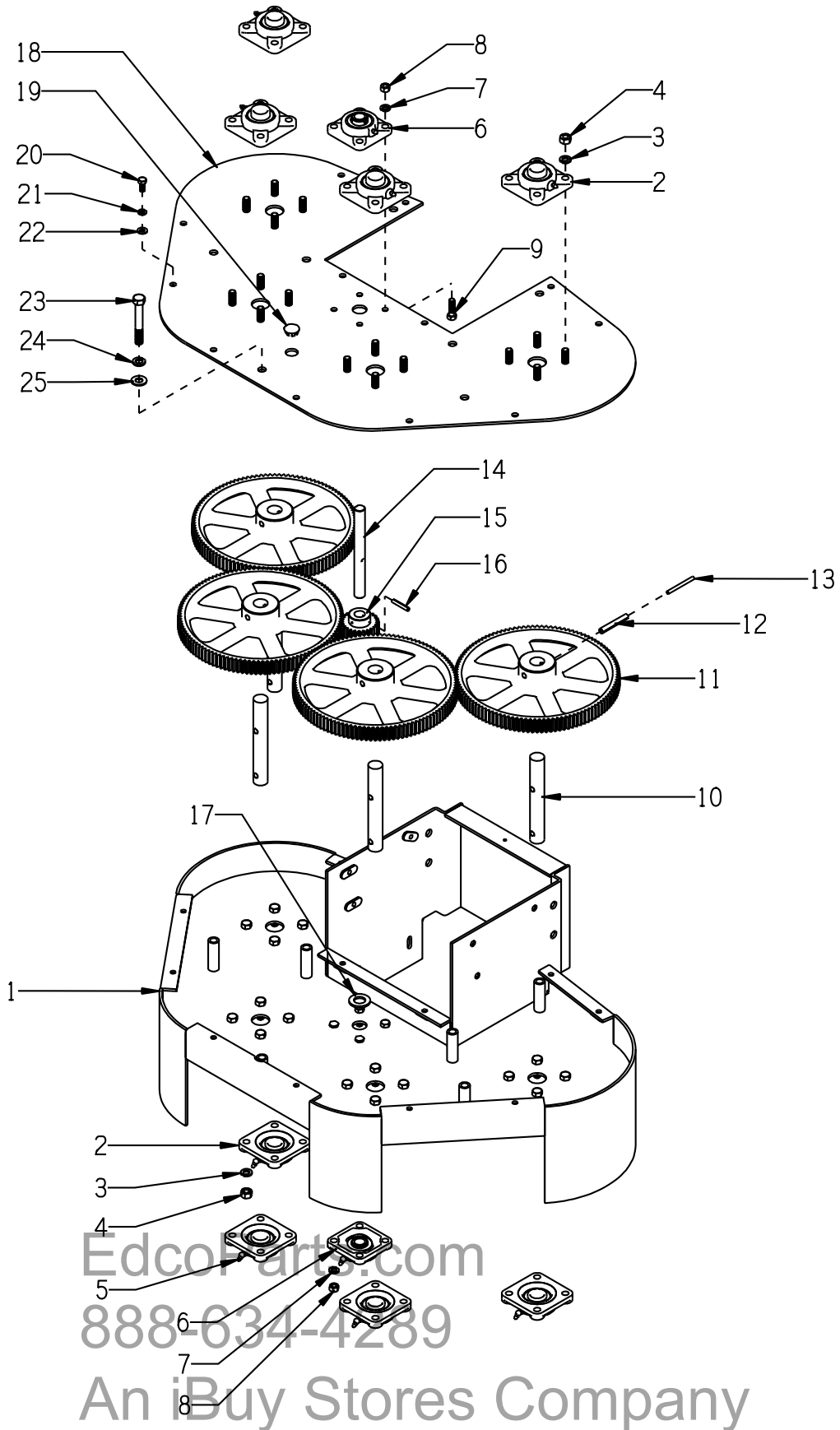
PARTS LIST MANUAL



EdcoParts.com
888-634-4289

SKU NO.	MODEL NO.	POWER OPTION
58600-460	4DP-10B/460/3	BALDOR 10HR, 3 PHASE, 60 Hz, 460 VOLT, 13.5 FLA

ILLUSTRATION 1 : GEAR CASE ASSEMBLY



EdcoParts.com
888-634-4289
An iBuy Stores Company

PARTS LISTING - ILLUSTRATION 1 : GEAR CASE ASSEMBLY			
ITEM#	PART#	DESCRIPTION	QTY.
1	75101	MAIN FRAME & GEAR CASE, 4DP	1
2	77008	BEARING, BALL 1" 4-HOLE FLANGE, ND	8
3	10450	WASHER, LOCK 7/16	32
4	10481	NUT 7/16-20	32
5	10960	FITTING, GREASE 1/4-28 X 45°	5
6	77009	BEARING, BALL 3/4" 4-HOLE FLANGE	2
7	10811	WASHER, LOCK 3/8	8
8	10014	NUT 3/8-24	8
9	10309	SCREW, CAP 3/8-24 X 1-1/4	4
10	77346	SHAFT, LARGE GEAR 1"DIA X 7"L	4
11	77012	GEAR, SPUR 112 TOOTH (DRIVEN)	4
12	10007	PIN, ROLL 3/8 X 2-1/2	4
13	63055	PIN, ROLL 7/32 X 2-1/2	4
14	77011	SHAFT, PINION GEAR 3/4DIA X 7-3/8"L	1
15	77053	GEAR, SPUR 25 TOOTH (PINION)	1
16	10037	PIN, ROLL 1/4 X 1-1/2	1
17	10009	WASHER, FLAT 3/4 SAE	1
18	75102	COVER, GEAR CASE, 4DP	1
19	10005	PLUG, HOLE 7/8" (CHROME)	1
20	10806	SCREW, CAP 5/16-18 X 1	12
21	10801	WASHER, LOCK 5/16	12
22	10213	WASHER, FLAT 5/16 SAE	12
23	10324	SCREW, CAP 1/2-13 X 3-1/2	3
24	10045	WASHER, LOCK 1/2	3
25	10312	WASHER, FLAT 1/2 SAE	3

GEAR CASE ASSEMBLED

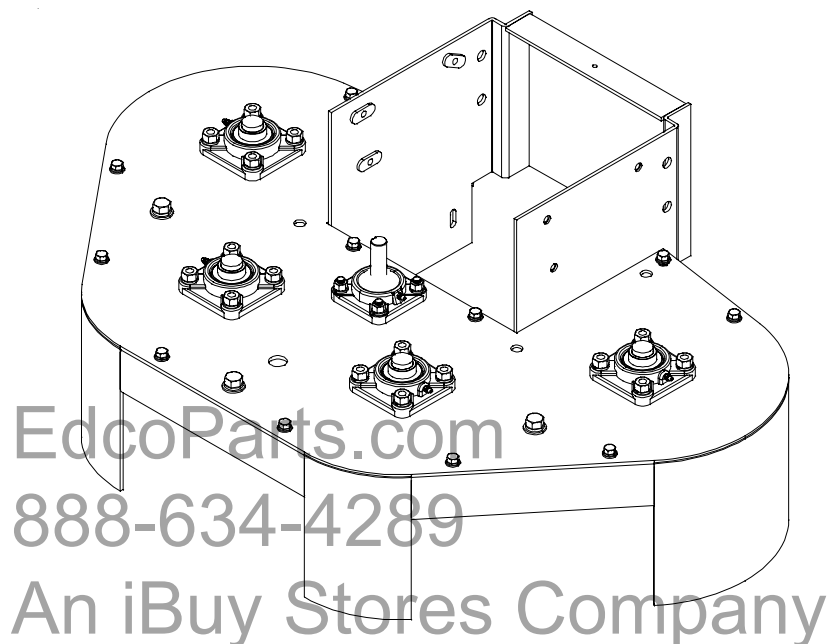
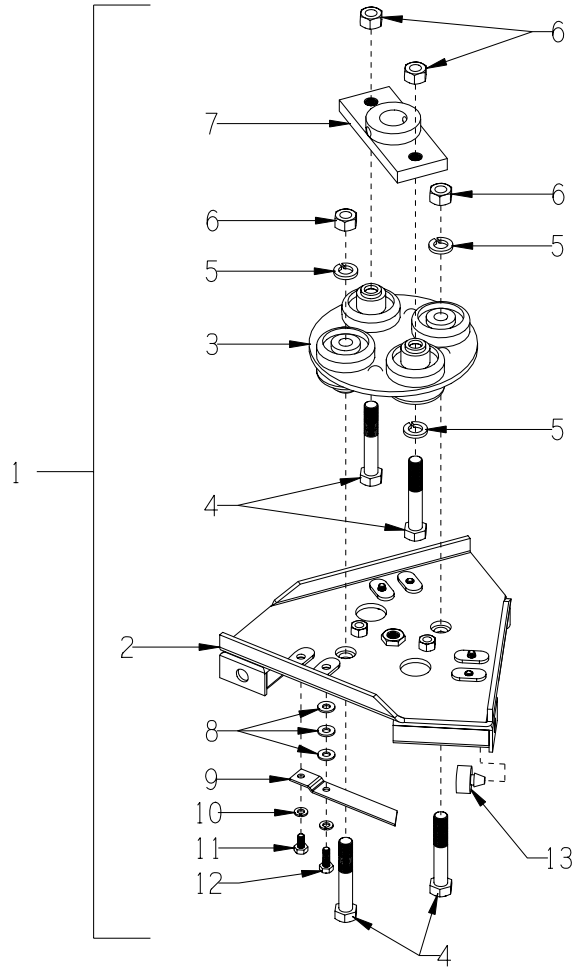


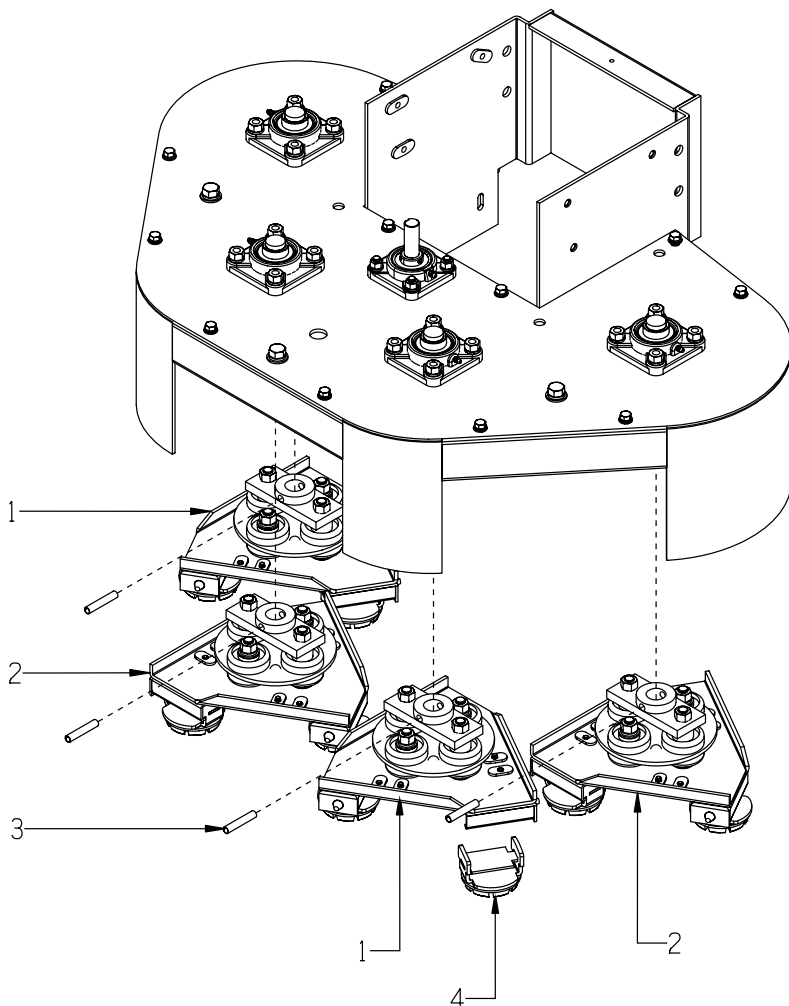
ILLUSTRATION 2 : DISC ASSEMBLY



ITEM #	PART#	DESCRIPTION	QTY.
1		DISC ASSEMBLY (INCLUDES ITEMS 2 THRU 13)	
	75115	DISC ASSEMBLY, LH, 4DP	2
	75117	DISC ASSEMBLY, RH, 4DP	2
2	75116	DISC ONLY, LH, 4DP	2
	75118	DISC ONLY, RH, 4DP	2
3	77344	COUPLING, MORFLEX 602	*1
4	10202	SCREW, CAP 1/2-20 X 3	*4
5	10045	WASHER, LOCK 1/2	*4
6	10072	NUT 1/2-20	*4
7	77343	FLANGE, DISC ASSY., 4DP	*1
8	10602	WASHER, FLAT 1/4 SAE	*9
9	86509	CLIP, SPRING TENSION	*3
10	10038	WASHER, LOCK 1/4	*6
11	10834	SCREW, CAP 1/4-20 X 1/2	*3
12	10018	SCREW, CAP 1/4-20 X 3/4	*3
13	75125	BUMPER, BUTTON	*3

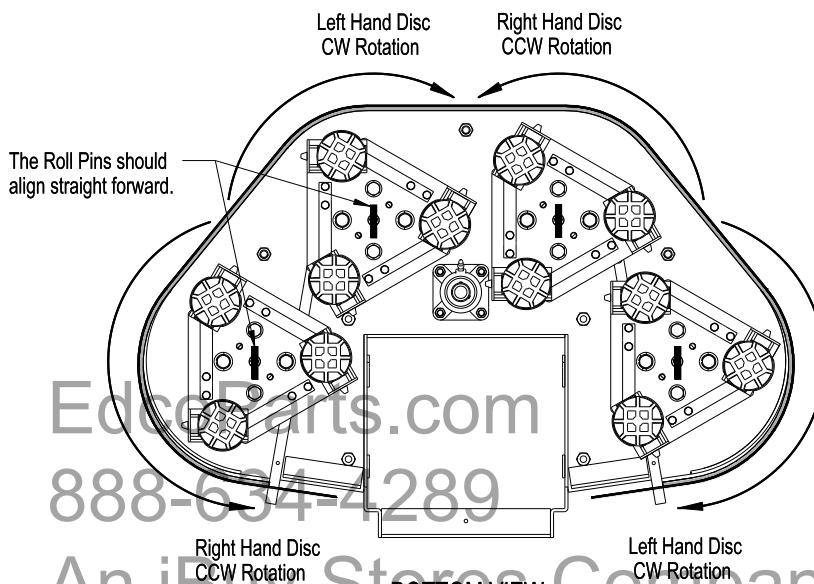
*NOTE: QUANTITIES ARE BASED ON ONE DISC

ILLUSTRATION 3 : DISC ARRANGEMENT GROUPING



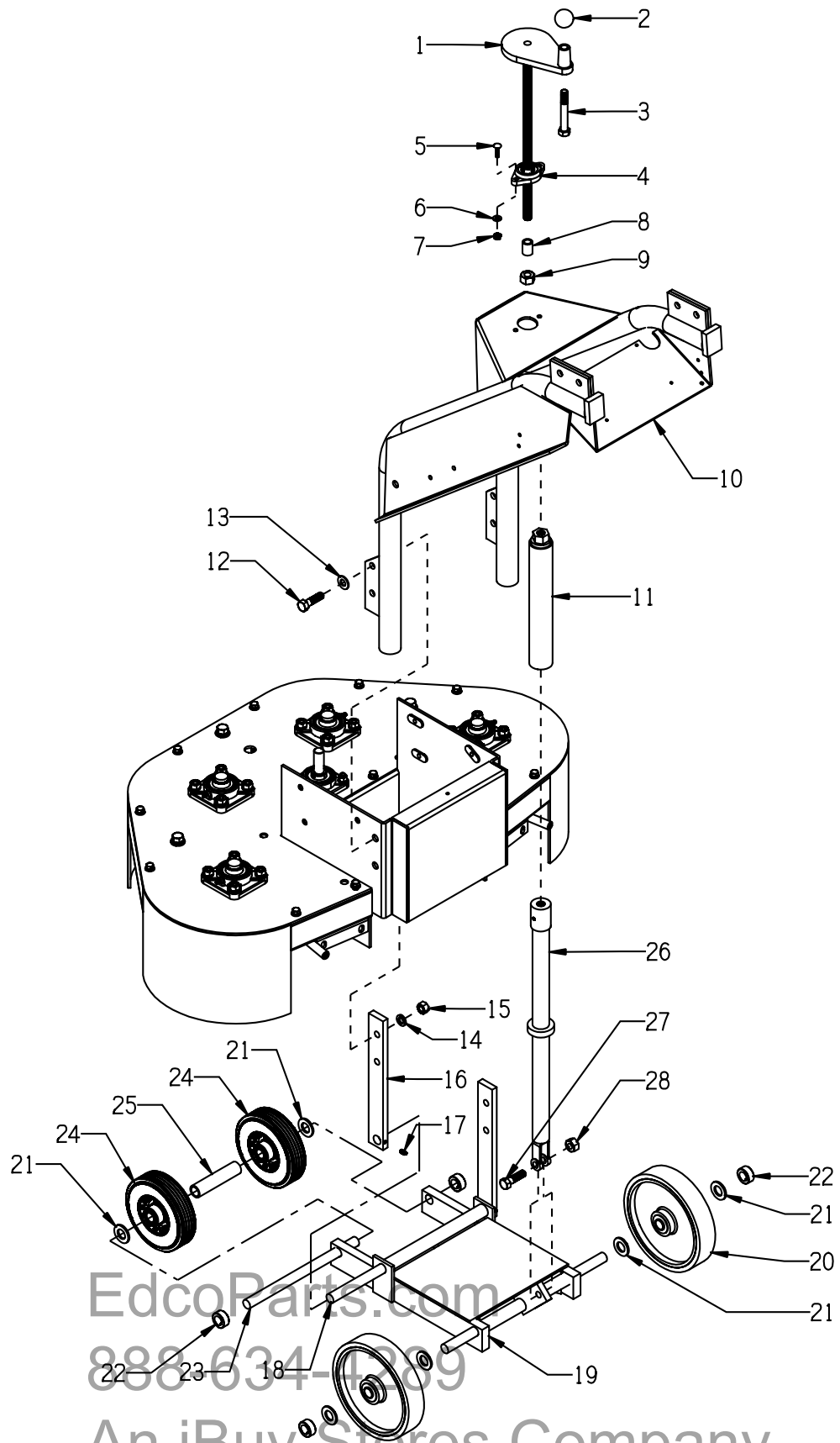
ITEM#	PART#	DESCRIPTION	QTY.
1	75117	DISC ASSEMBLY, RH	2
2	75115	DISC ASSEMBLY, LH	2
3	10063	PIN, ROLL 3/8 X 2	4
4	-----	CLICK-IN ACCESSORY (NOT INCLUDED) SEE PRODUCT CATALOG FOR MORE INFORMATION.	

INSTALL THE DISC IN THE ORIENTATION AS SHOWN BELOW



EdcoParts.com
 888-634-4289
 An iBuy Stores Company

ILLUSTRATION 4: WHEEL CARRIAGE & LINKAGE ASSEMBLY



EdcoParts.com
888-634-4289
An iBuy Stores Company

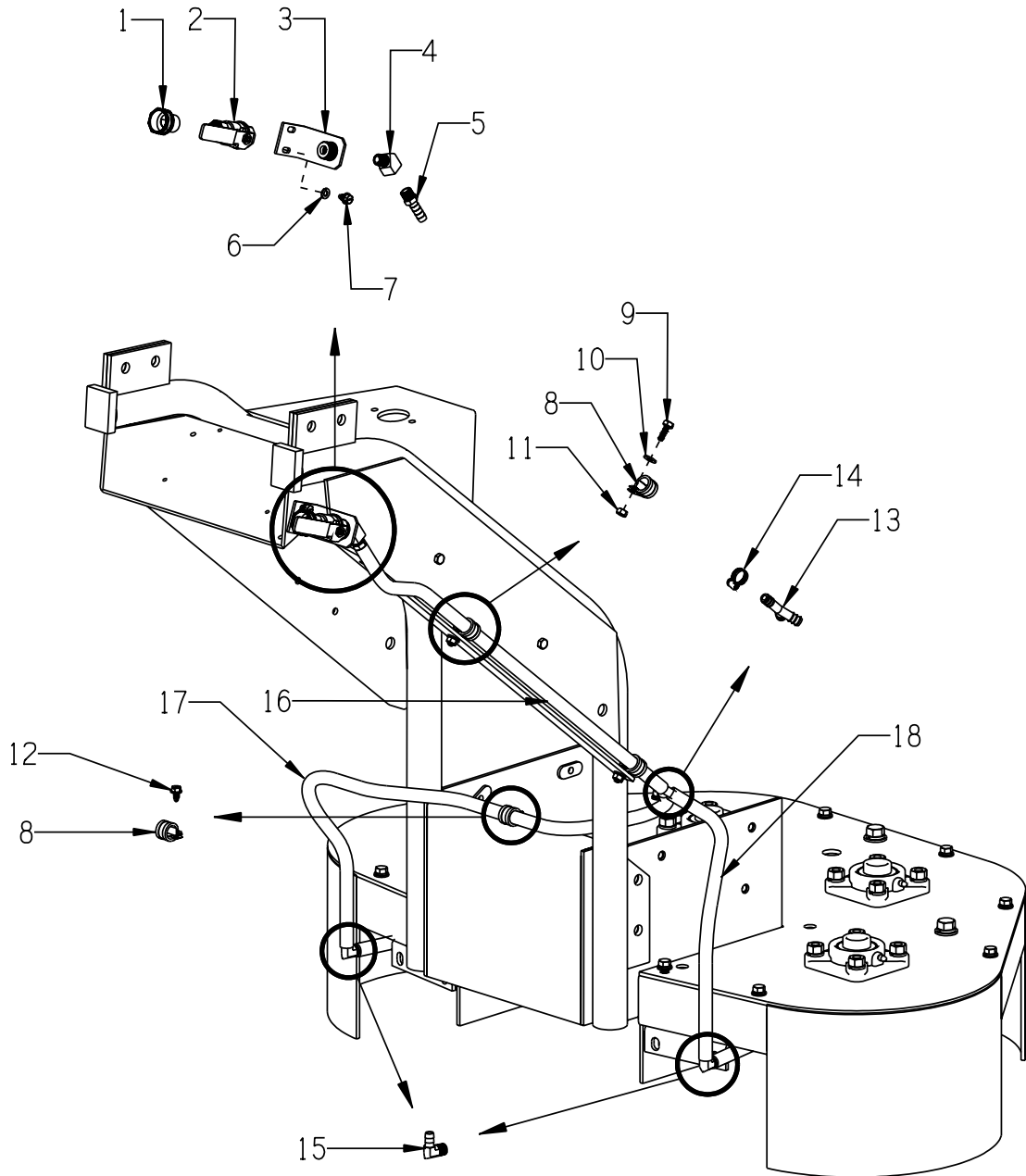
PARTS LISTING - ILLUSTRATION 4 : WHEEL CARRIAGE & LINKAGE ASSEMBLY			
ITEM#	PART#	DESCRIPTION	QTY.
1	75004	HANDWHEEL, LARGE W/ 5/8-8 X 16"ROD	1
2	14023	KNOB, BALL 1-3/8 W/ 1/2-13THD, BLK	1
3	10324	SCREW, CAP 1/2-13 X 3-1/2	1
4	80009	BEARING, BALL 5/8" 2-HOLE (NO G.F.)	1
5	10412	BOLT, CARRIAGE 1/4-20 X 1 FULL THD.	2
6	10602	WASHER, FLAT 1/4 SAE	2
7	10861	NUT, KEPS 1/4-20	2
8	55010	SPACER, HANDWHEEL 5/8"ID X 3/4"L	1
9	50008	NUT 5/8-8 ACME	1
10	75106	HANDLE BAR, LOWER, 4DP	1
11	77310	LINKAGE, UPPER SUPPORT	1
12	10498	SCREW, CAP 1/2-20 X 1-3/4	2
13	10312	WASHER, FLAT 1/2 SAE	2
14	10045	WASHER, LOCK 1/2	2
15	10045	WASHER, LOCK 1/2	2
16	75105	MOUNT, WHEEL CARRIAGE, 4DP	2
17	10162	SCREW, SET 1/4-20 X 1/2	2
18	75130	SHAFT, WHEEL CARRIAGE PIVOT, 4DP 3/4 X 11-15/16"L	1
19	75104	CARRIAGE, WHEEL, 4DP	1
20	68008	WHEEL 8 X 1-5/8 X 3/4"BRG., POLY	2
21	10009	WASHER, FLAT 3/4 SAE	6
22	10428	COLLAR, LOCKING 3/4"ID	4
23	75129	AXLE SHAFT 3/4 X 11-1/2"L, 4DP	1
24	80028	WHEEL 6 X 2 X 3/4"BRG.	2
25	75123	SPACER, WHEEL, 4DP	1
26	75110	LINKAGE, LOWER, 4DP	1
27	10498	SCREW, CAP 1/2-20 X 1-3/4	1
28	10205	NUT, LOCK 1/2-20	1

EdcoParts.com

888-634-4289

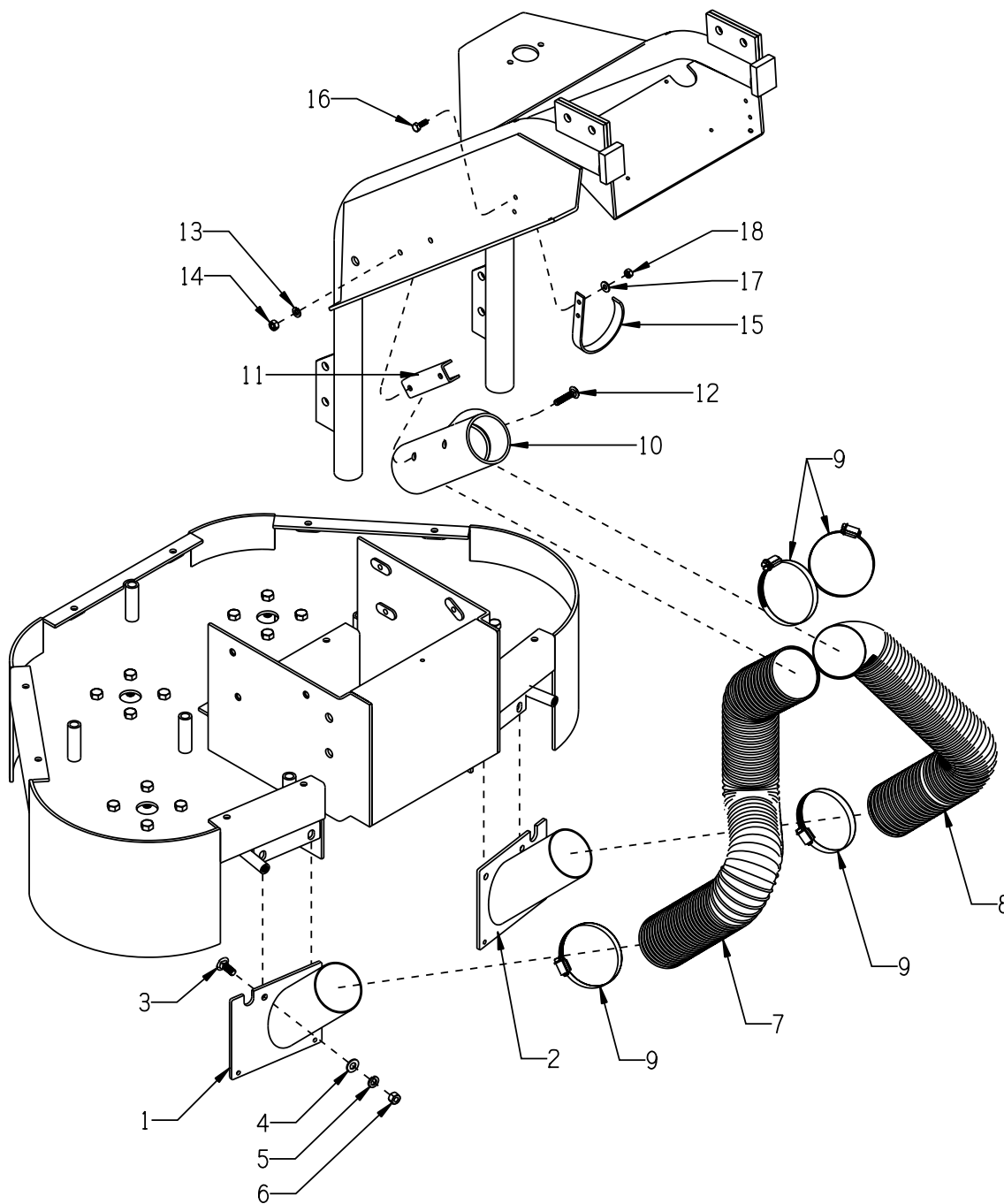
An iBuy Stores Company

ILLUSTRATION 5 : WATER FEED GROUPING



ITEM #	PART #	DESCRIPTION	QTY.	ITEM #	PART #	DESCRIPTION	QTY.
1	80021	CONN., SWIVEL FEM. 3/4HOSE X 1/2MPT	1	9	10018	SCREW, CAP 1/4-20 X 3/4	2
	INCLUDES: WASHER, HOSE 3/4		1	10	10602	WASHER, FLAT 1/4 SAE	2
2	10711	VALVE, BALL 1/2 FPT	1	11	10150	NUT, HEX NYLON LOCK 1/4-20	2
3	75126	BRACKET, WATER VALVE, 4DP	1	12	10846	SCREW, CAP STSHW 1/4-20 X 1/2	1
4	10716	ELBOW, STREET 1/4NPT X 45 (BRASS)	1	13	11709	BARBED FITTING, "Y" 3/8"HOSE	1
5	50075	BARB, 3/8 HOSE X 1/4MPT (BRASS)	1	14	50069	CLAMP, HOSE, SAE #6, ADJ. TO 13/16	2
6	10038	WASHER, LOCK 1/4"	2	15	11562	BARB ELBOW 90, 3/8HOSE X 1/8MPT	2
7	10846	SCREW, CAP STSHW 1/4-20 X 1/2	2	16	75137	HOSE, WATER 3/8"ID X 25-1/2"L	1
8	11565	CLAMP, LOOM, 5/8" (SAE SIZE 10)	3	17	75138	HOSE, WATER 3/8"ID X 29"L	1
				18	75139	HOSE, WATER 3/8"ID X 14"L	1

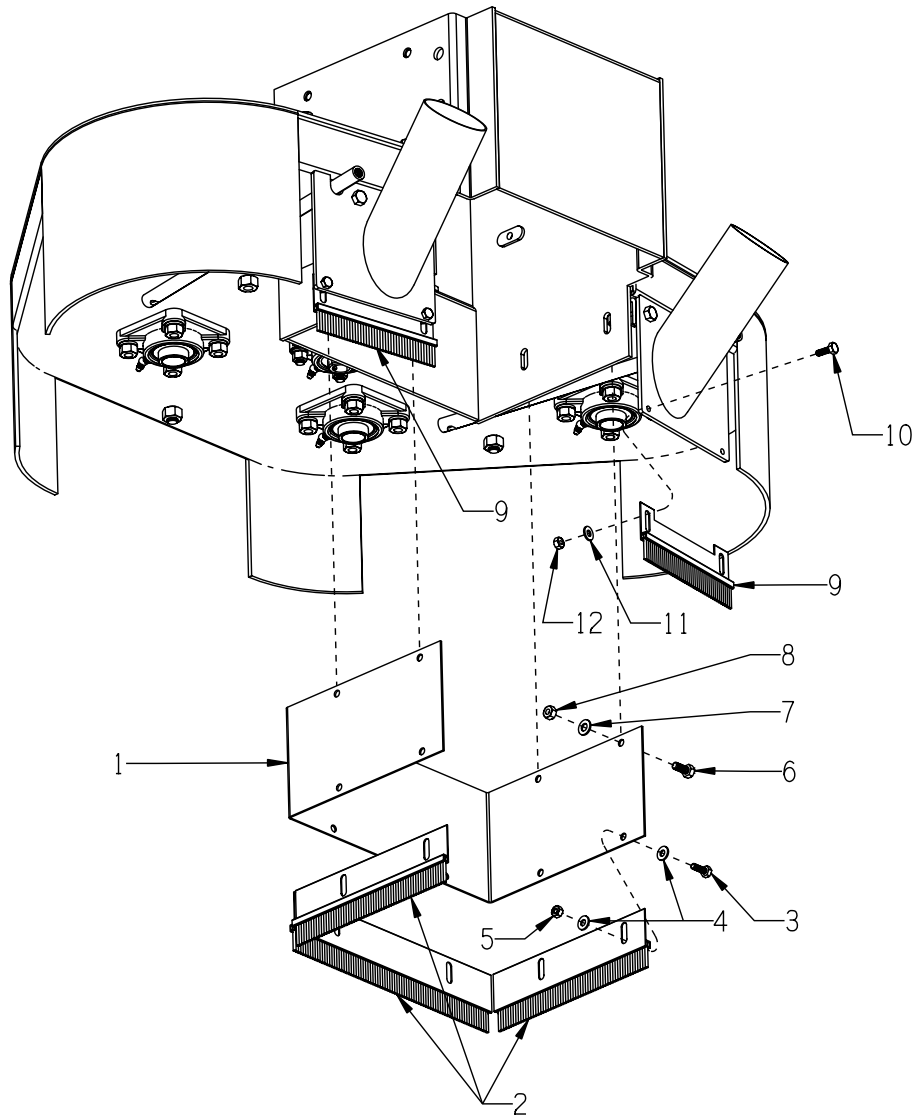
ILLUSTRATION 6 : VACUUM PORT & HOSE GROUPING



ITEM #	PART #	DESCRIPTION	QTY.	ITEM #	PART #	DESCRIPTION	QTY.
1	75111	VAC PORT, LEFT, 4DP	1	10	10018	FITTING, MODIFIED 3" Y, 4DP	1
2	75112	VAC PORT, RIGHT, 4DP	1	11	75124	MOUNT BRACKET, VAC PORT, 4DP	1
3	10802	BOLT, CARRIAGE 3/8-16 X 1 FULL THD.	4	12	10918	BOLT, CARRIAGE 5/16-18 X 1-3/4 F.T.	2
4	10025	WASHER, FLAT 3/8 SAE	4	13	10801	WASHER, LOCK 5/16	2
5	10811	WASHER, LOCK 3/8	4	14	10054	NUT 5/16-18	2
6	10404	NUT 3/8-16	4	15	75142	HANGER, VACUUM HOSE	1
7	75140	HOSE, FLEX 3"ID X 24" L	1	16	10018	SCREW, CAP 1/4-20 X 3/4	2
8	75141	HOSE, FLEX 3"ID X 28" L	1	17	10602	WASHER, FLAT 1/4 SAE	2
9	10849	CLAMP, HOSE, SAE #52, ADJ. TO 3-3/4	4	18	10150	NUT, HEX NYLON LOCK 1/4-20	2

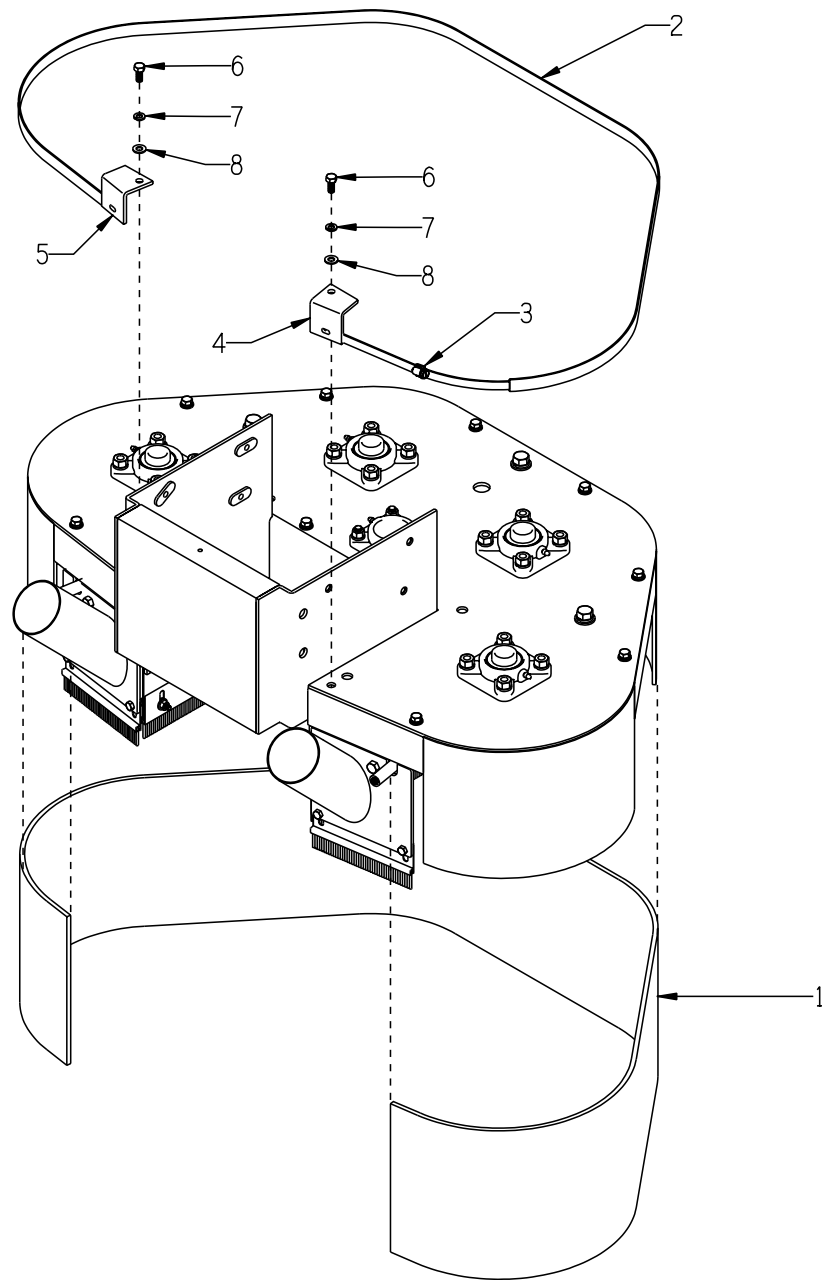
An iBuy Stores Company

ILLUSTRATION 7: BRUSH SEAL GROUPING



ITEM#	PART#	DESCRIPTION	QTY.
1	75113	COVER, MAIN FRAME REAR, 4DP	1
*2	75131	BRUSH ASSY., REAR COVER (SET OF 3)	1SET
3	10018	SCREW, CAP 1/4-20 X 3/4	6
4	10602	WASHER, FLAT 1/4 SAE	12
5	10150	NUT, HEX NYLON LOCK 1/4-20	6
6	10806	SCREW, CAP 5/16-18 X 1	4
7	10213	WASHER, FLAT 5/16 SAE	4
8	10151	NUT, HEX NYLON LOCK 5/16-18	4
*9	175133	BRUSH ASSY. 6-1/2, VAC PORT (PAIR)	1PR
10	10018	SCREW, CAP 1/4-20 X 3/4	4
11	10602	WASHER, FLAT 1/4 SAE	4
12	10150	NUT, HEX NYLON LOCK 1/4-20	4
*	75132	BRUSH ASSY. COMPLETE, 4DP (SET OF 5) (INCLUDES ITEMS 2 AND 9 TOGETHER)	1SET

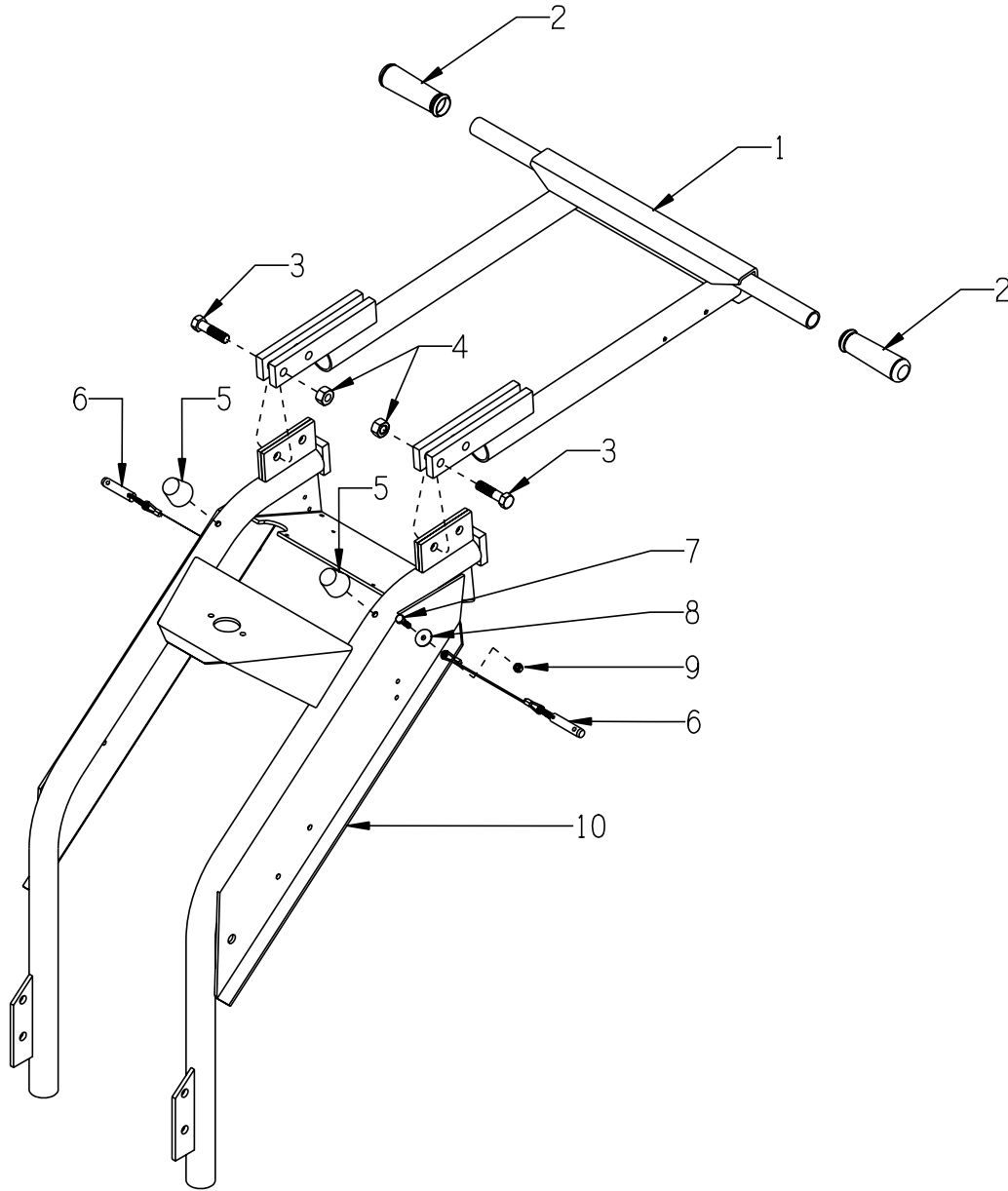
ILLUSTRATION 8: SKIRT GROUPING



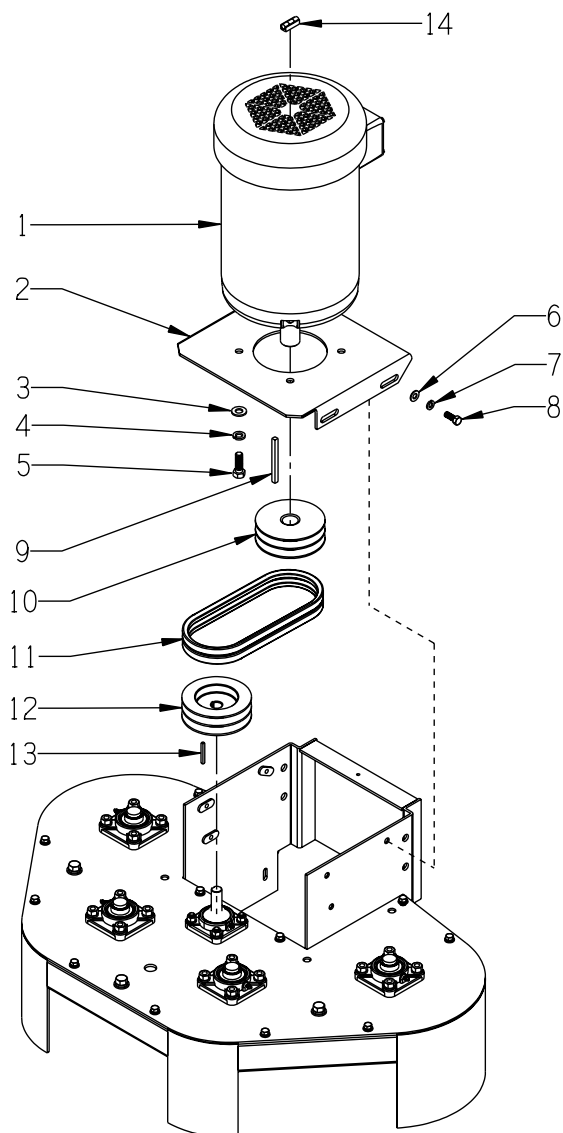
ITEM#	PART#	DESCRIPTION	QTY.
1	75143	RUBBER SKIRT 9-1/2 X 79 X 1/4	1
2	75122	BAND 76", FRONT, 4DP	1
3	75144	CLAMP, MODIFIED SAE#200, 4DP	1
4	75121	BRACKET, SKIRT RIGHT BAND, 4DP	1
5	75120	BRACKET, SKIRT LEFT BAND, 4DP	1
6	10806	SCREW, CAP 5/16-18 X 1	2
7	10801	WASHER, LOCK 5/16	2
8	10213	WASHER, FLAT 5/16 SAE	2

An iBuy Stores Company

ILLUSTRATION 9 : HANDLE BAR ASSEMBLY

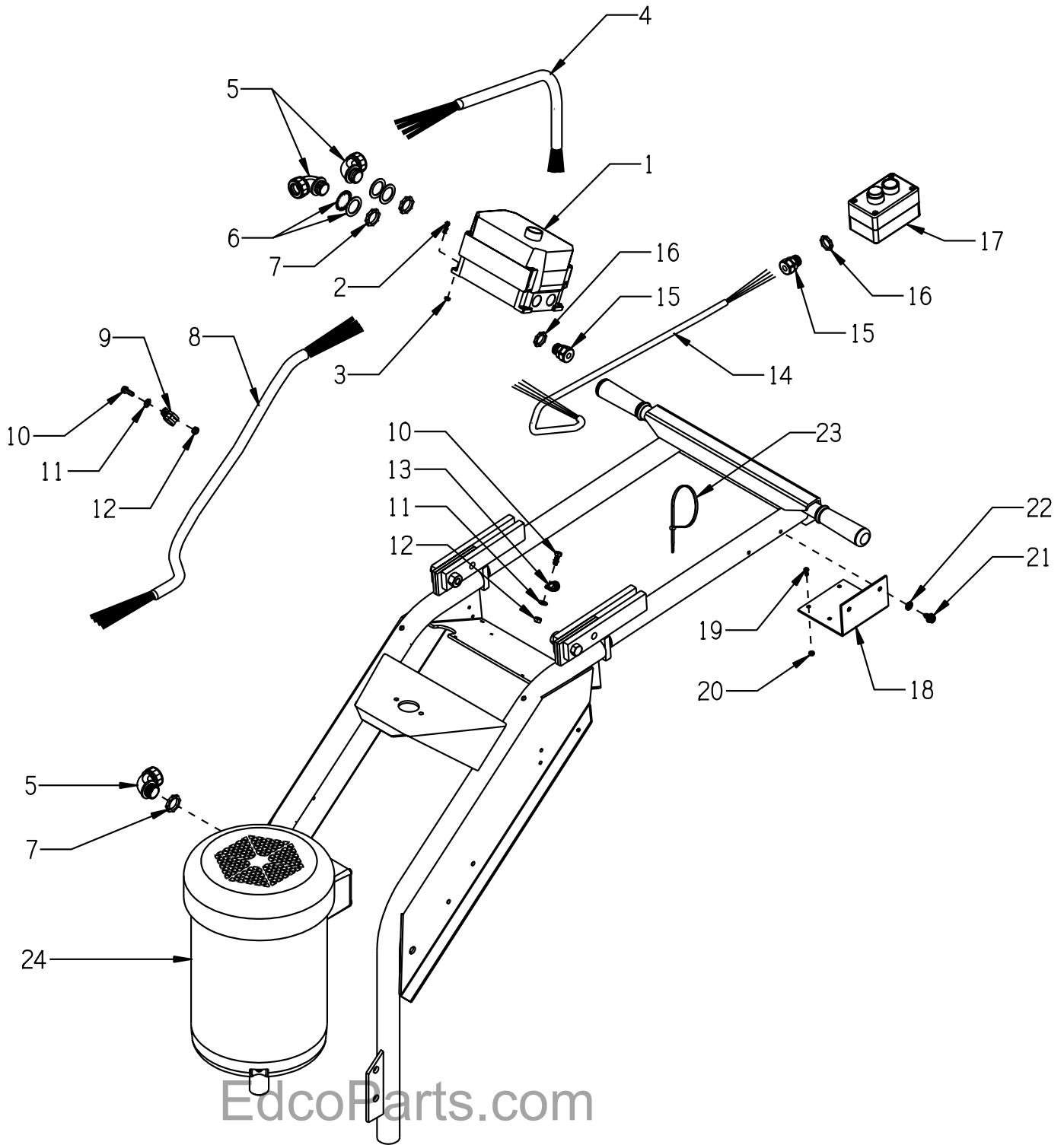


ITEM#	PART#	DESCRIPTION	QTY.
1	75107	HANDLE BAR, UPPER, 4DP	1
2	10608	GRIP, HAND 1" MODEL AT	2
3	10322	SCREW, CAP 1/2-20 X 2	2
4	10205	NUT, LOCK 1/2-20	2
5	10931	MOUNT, TAPERED RUBBER 5/16-18	2
6	75128	LANYARD, HANDLE BAR, 4DP	2
7	10031	SCREW, CAP 1/4-20 X 1	2
8	42309	WASHER, FENDER 1/4 X 1"OD (S.S.)	2
9	10150	NUT, HEX NYLON LOCK 1/4-20	2
10	75106	HANDLE BAR, LOWER, 4DP (REFER TO ILLUS 4 ITEM 10)	1

ILLUSTRATION 10: MOTOR & BELT DRIVE GROUPING


ITEM#	PART#	DESCRIPTION	QTY.
1	16067	MOTOR, BALDOR 10HP C-FACE VM3714T 1760RPM, 3PH, 60Hz, 230/460V	1
2	75114	MOUNT, MOTOR, 4DP	1
3	10312	WASHER, FLAT 1/2 SAE	4
4	10045	WASHER, LOCK 1/2	4
5	10356	SCREW, CAP 1/2-13 X 1-1/2	4
6	10025	WASHER, FLAT 3/8 SAE	4
7	10811	WASHER, LOCK 3/8	4
8	10055	SCREW, CAP 3/8-16 X 1	4
9	---	KEY 5/16"SQ X 2.375 (COMES WITH MOTOR)	1
10	75136	SHEAVE 5"OD X 2GR.B X 1-3/8"BORE	1
11	10047	BELT 5L-300	2
12	77058	SHEAVE 5"OD X 2GR.B X 3/4"BORE	1
13	10170	KEY 3/16SQ X 1-3/4	1
14	77342	LEVELASSY, TUBULAR	1

ILLUSTRATION 11: STARTER & SWITCH GROUPING



EdcoParts.com

888-634-4289

An iBuy Stores Company

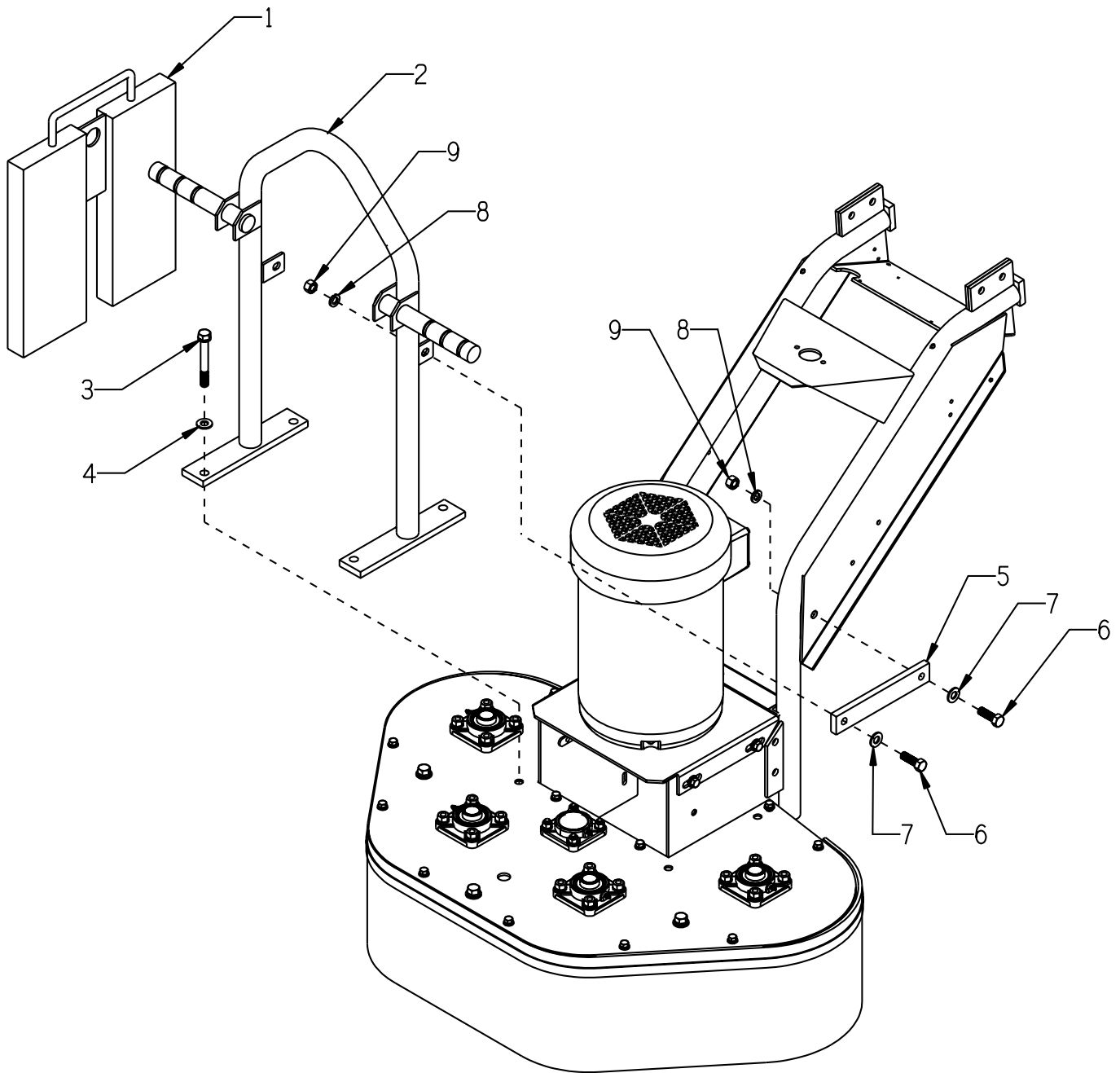
PARTS LISTING - ILLUSTRATION 11 : STARTER & SWITCH GROUPING			
ITEM#	PART#	DESCRIPTION	QTY.
1	16481	STARTER 11-M1-BRF-R23-23-46060 (COMPLETE)	1
		REPLACEMENT PARTS FOR STARTER ABOVE:	
	16455	STARTER BOX ONLY, LOVATO 11M1R	
	16433	STARTER CONTACTOR W/COIL 11BF2010-46060	
	16425	STARTER COIL, LOVATO 11BA456-460-60	
	16249	STARTER OVERLOAD, LOVATO 11RF2523 14-23 AMP	
2	10362	SCREW, MACHINE 8-32 X 3/4	4
3	10462	NUT, KEPS 8-32	4
4	75145	WIRE HARNESS 10/4 X 39"L, 4DP	1
5	10984	CONN., LIQUID TITE 90D X 3/4NPT .650-.750"	2
6	77081	WASHER, FLAT 1-1/2 X 1-1/16 X .06	4
7	10740	CONDUIT LOCK NUT 3/4 NP	3
8	75146	WIRE HARNESS 10/4 X 54"L, 4DP	1
9	11565	CLAMP, LOOM, 5/8" (SAE SIZE 10)	3
10	10018	SCREW, CAP 1/4-20 X 3/4	4
11	10602	WASHER, FLAT 1/4 SAE	4
12	10150	NUT, HEX NYLON LOCK 1/4-20	4
13	11690	CLAMP, LOOM, 3/8"	1
14	75147	WIRE HARNESS 16/4 X 43"L, 4DP	1
15	40066	STRAIN RELIEF 1/2NPT X .350-.450"	2
16	10790	CONDUIT LOCK NUT 1/2 NP	2
17	16456	REMOTE SWITCH BOX COMPLETE	1
		REPLACEMENT PARTS FOR SWITCH ABOVE:	
	16456-1	ENCLOSURE, LOVATO 2 BUTTON	
	16456-2	ENCLOSURE BUTTON, GREEN FLUSH START	
	16456-3	ENCLOSURE BUTTON, RED EXTENDED STOP	
	16456-4	ENCLOSURE CONTACT, START GREEN N.O.	
	16456-5	ENCLOSURE CONTACT, STOP RED N.C.	
18	65122	BRACKET, REMOTE SWITCH	1
19	11663	SCREW, MACHINE 8-32 X 1/2	4
20	10462	NUT, KEPS 8-32	4
21	10846	SCREW, CAP STSHW 1/4-20 X 1/2	2
22	10038	WASHER, LOCK 1/4	2
23	10982	TIE, CABLE, BLACK NYLON 11-1/4"	2
24	16067	MOTOR, BALDOR 10HP C-FACE VM3714T 1760RPM, 3PH, 60Hz, 230/460V (REFER TO ILLUS. 10, ITEM #1)	1

EdcoParts.com

888-634-4289

An iBuy Stores Company

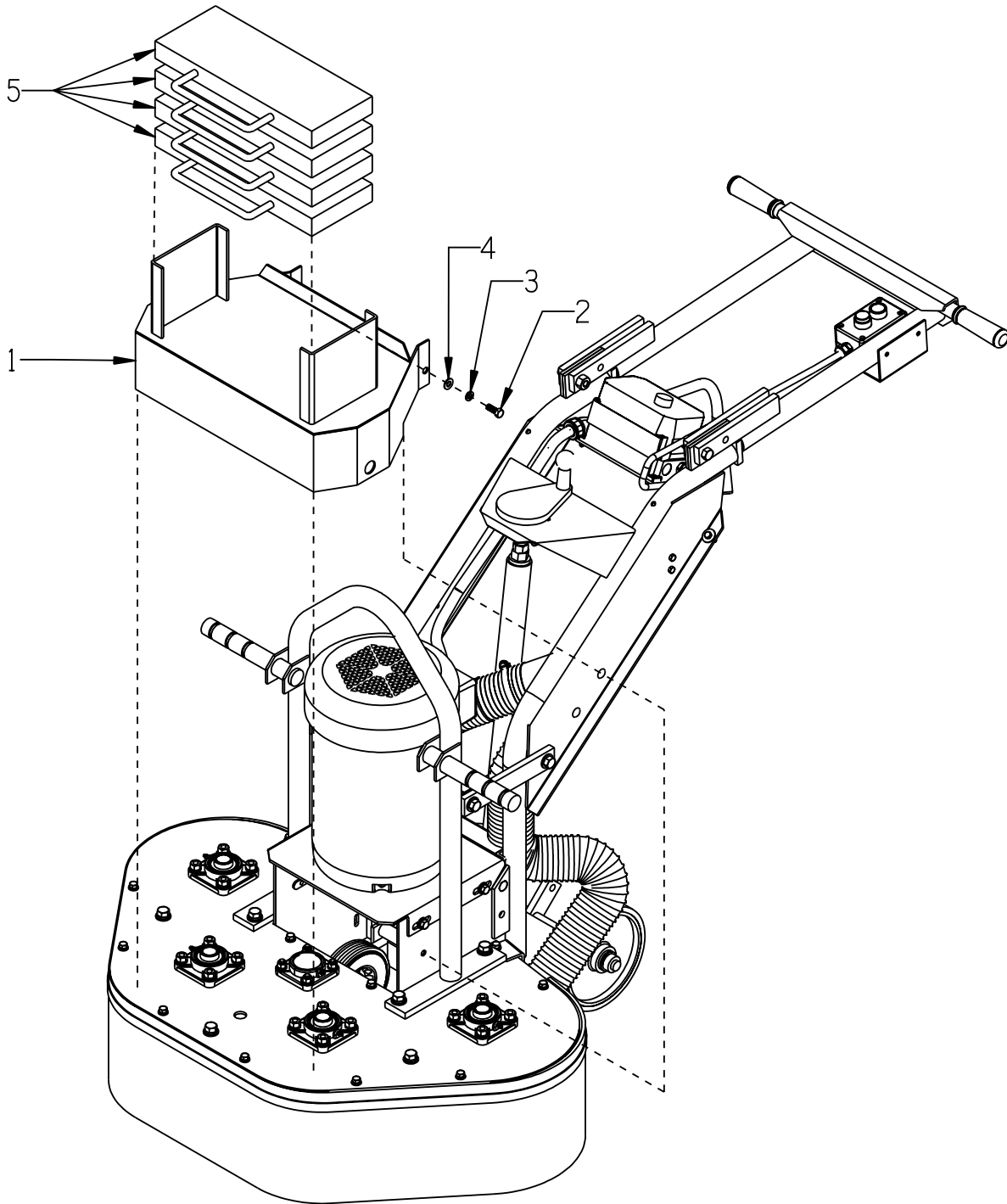
ILLUSTRATION 12 : LIFTING BAIL & WEIGHT GROUPING



ITEM#	PART#	DESCRIPTION	QTY.
1	75119	WEIGHT BLOCK, 80 LBS., 4DP	2 STD. 4 OPT.
2	75108	LIFTING BAIL, 4DP	1
3	81001	SCREW, CAP 1/2-13 X 4	4
4	10312	WASHER, FLAT 1/2 SAE	4
5	75109	BRACE, LIFTING BAIL, 4DP	2
6	10308	SCREW, CAP 1/2-20 X 1-1/2	4
7	10312	WASHER, FLAT 1/2 SAE	4
8	10045	WASHER, LOCK 1/2	4
9	10072	NUT 1/2-20	4

IdocParts.com
888-624-4289
An Idoc Stores Company

ILLUSTRATION 13 : HOOD & WEIGHT BLOCK GROUPING



ITEM#	PART#	DESCRIPTION	QTY.
1	75103	HOOD, 4DP	1
2	10055	SCREW, CAP 3/8-16 X 1	2
3	10811	WASHER, LOCK 3/8	2
4	10025	WASHER, FLAT 3/8 SAE	2
5	77506	WEIGHT BLOCK, 40 LB.	2 STD. 2 OPT.

An iBuy Stores Company