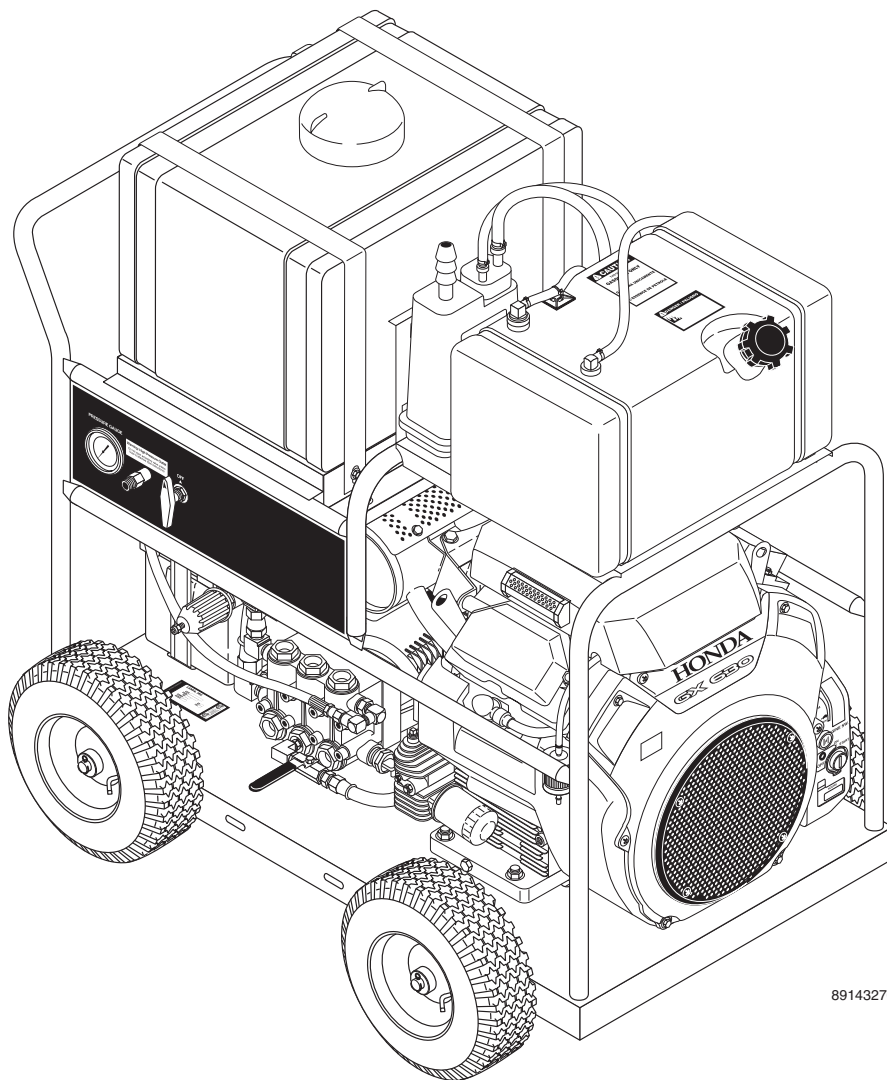




SJGDG-3016

SJGDG-3020

OPERATOR'S MANUAL



89143270-3

MODEL #	ORDER #	MODEL #	ORDER #
SJGDG-3016	1.107-060.0	SJGDG-3020	1.107-061.0
SJGDG-3016-B	1.107-209.0	SJGDG-3020-B	1.107-211.0
SJGDG-3016-C	1.107-210.0		

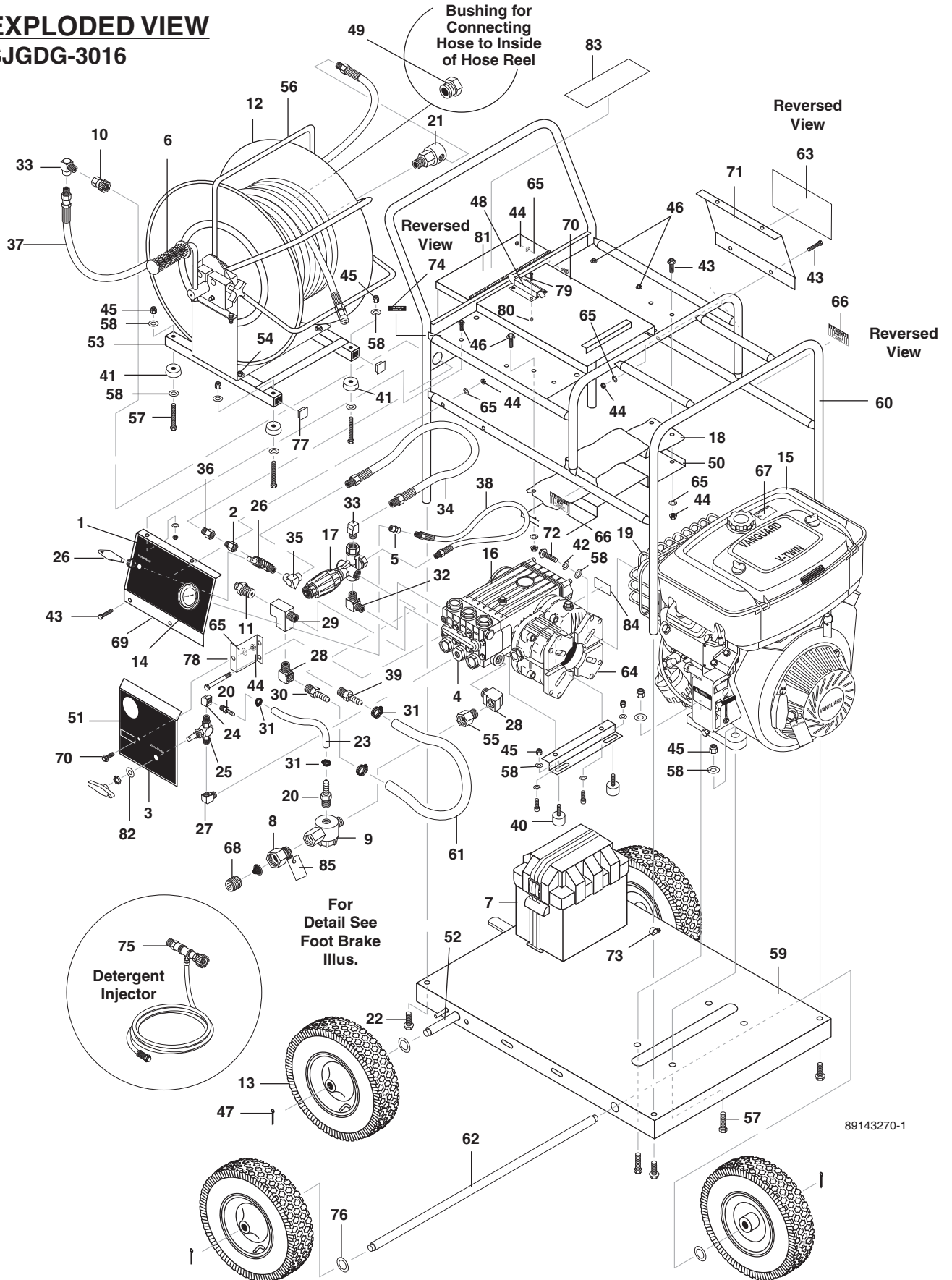


WARNING:

This product and accessories may contain a chemical known to the State of California to cause cancer and birth defects or other reproductive harm.

For more information about this regulation: www.P65Warnings.ca.gov

EXPLODED VIEW SJGDG-3016



89143270-1

EXPLODED VIEW PARTS LIST**SJGDG-3016**

ITEM	PART NO.	DESCRIPTION	QTY
1	8.900-863.0	Label, Control Panel	1
2	8.706-993.0	Adapter, 3/8" x 3/8"	1
3	8.940-286.0	Label, Pressure Control	1
4	8.704-712.0	Cap, Valve w/1/4" Gauge Port	1
5	8.706-134.0	Coupling, 1/4" Pipe	1
6	9.802-069.0	Grip, 1" Handle (Waffle)	1
7	8.706-652.0	Battery Box, Small	1
	9.802-705.0	▲ Bolt, Carriage, 1/4" x 1"	1
	9.802-775.0	▲ Nut, 1/4" Whiz Loc	1
	9.802-091.0	▲ Battery Box Plate	1
8	9.802-146.0	Swivel, 1/2" MP x 3/4" GHF w/Strainer	1
	9.802-179.0	▲ Anti-Siphon Valve	1
9	9.802-163.0	Strainer, 1/2" Inline	1
10	8.707-182.0	Coupler, 3/8" Female	1
11	8.707-256.0	Pump Protector, 1/2" 140°	1
12	8.711-865.0	Hose Reel, 18"	1
13	8.711-907.0	Wheel & Tire Assy, 4" Tubeless, White Rim, 5/8" HUB	4
14	8.712-150.0	Gauge, 0-6000 PSI	1
15	8.715-071.0	Engine, Vanguard 16 HP ES w/Fuel Tank & Throttle, 20 Amp 1	
	8.718-026.0	▲ Kit, Man. Throttle Speed Ctrl	1
	9.802-673.0	▲ Key, Shaft, 16 HP Vanguard	1
	8.716-481.0	▲ Cable, Battery, 29" Blk, 4 Ga	1
	9.802-503.0	▲ Cable, Battery, 32" Red, 4 Ga	1
	9.802-741.0	▲ Bolt, 8mm x 16mm Hex Head	1
	8.718-980.0	▲ Washer, 5/16" Flat SAE	1
	9.802-813.0	▲ Washer, 5/16" Lock Split Ring	1
16	8.715-337.0	Pump, Interpump TS-2021	1
17	8.750-298.0	Unloader, VRT 3, 8 GPM @ 3630 PSI	1
18	8.717-427.0	Insulation Blanket, w/Foil	1.25 SF
19	9.803-631.0	Muffler, Exhaust, Briggs 16 HP	1
	8.718-038.0	Guard, Muffler	1
	9.802-830.0	▲ Screw, Hex 1/4"-20 x1/2", TF, TCS, ZN	4
20	8.706-950.0	Hose Barb, 3/8" Barb x 1/4" ML Pipe	2
21	8.711-875.0	Swivel 1/2 x 3/8	1
22	9.802-768.0	Screw, 3/8" x 1-1/4", Whiz Loc	4
23	8.711-785.0	Hose, 3/8" Push-On	5"
24	8.706-818.0	Elbow, 1/4" Female, Brass	1
25	8.707-219.0	Valve, 1/4" Ball, 2 Way, Brass	1

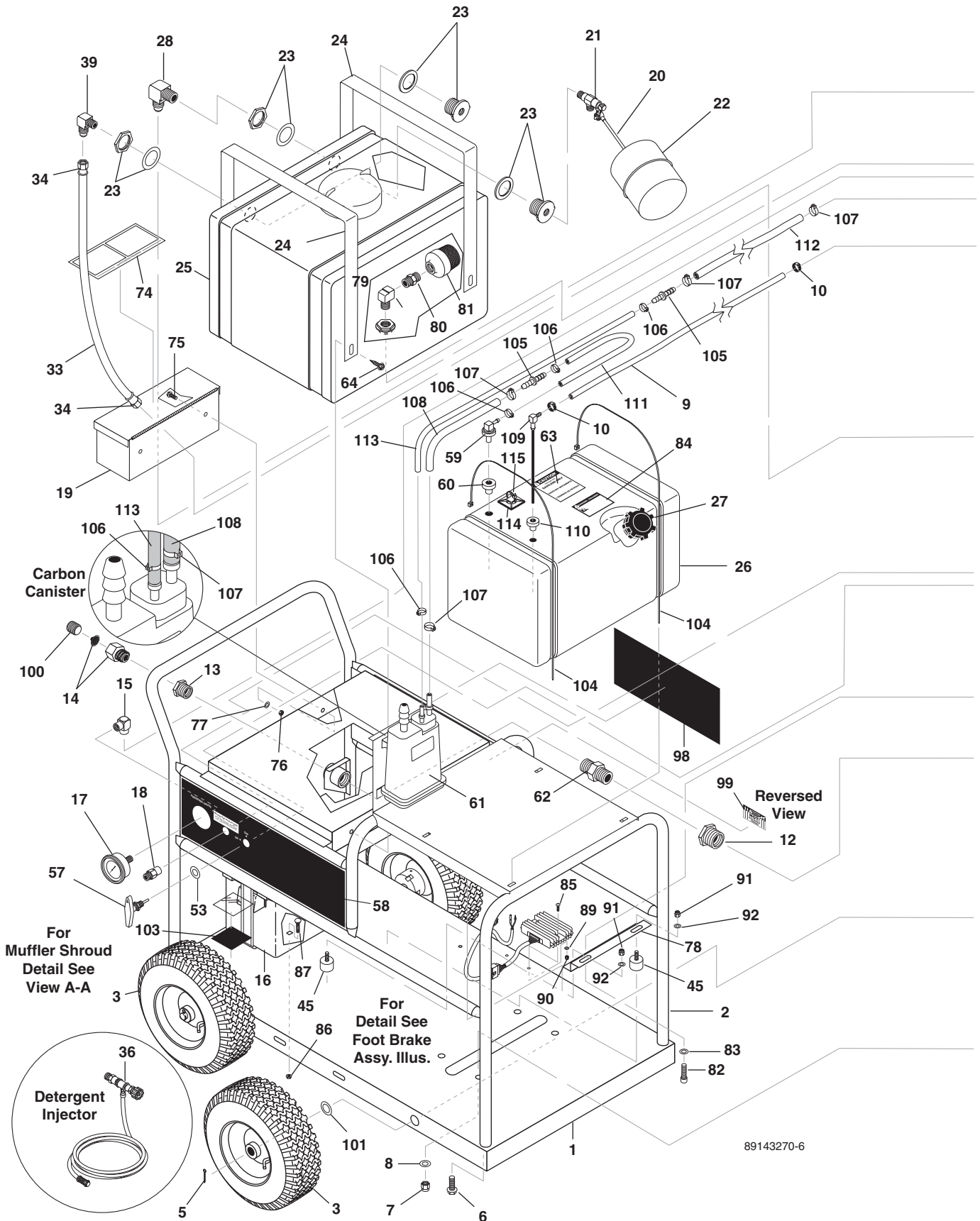
ITEM	PART NO.	DESCRIPTION	QTY
26	8.707-218.0	Valve, 3/8" Ball, 2-Way, Brass	1
27	8.706-200.0	Elbow, 1/4" Street	1
28	8.706-829.0	Elbow, 1/2" Street, Brass	2
29	8.706-860.0	Tee, 1/2" Street	1
30	8.706-947.0	Hose Barb, 1/2" Barb x 1/2" MNPT, Brass	1
31	9.802-201.0	Clamp, Screw	4
32	8.706-168.0	Elbow, 3/8" Male, Pipe	1
33	8.706-207.0	Elbow, 3/8" Street	2
34	8.918-194.0	Hose, 3/8" x 22.5", 1 Wire, 3/8" MPT X 3/8" X 3/8" MPTS	1
35	8.706-167.0	3/8" x 3/8" Female, Elbow	1
36	8.707-184.0	Plug, 3/8" Screw-Type Coupler 7642	1
37	8.918-201.0	Hose, 3/8" x 34.5", 1 Wire, 3/8" MPT x 3/8" MPTS	1
38	8.918-178.0	Hose, 1/4" x 20.5", 1 Wire, 1/4" MPT x 3/8" MPTS	1
39	8.706-337.0	Hose Barb, 1/2" Barb x 3/8" MNPT Steel	1
40	8.706-519.0	Bumper, Rubber 1" w/Bolt, 5/16" x 1/2" 60 DUR	2
41	8.706-510.0	Bumper, Rubber, 3/4" w/Washer	4
42	9.802-813.0	Washer, 5/16" Lock, Split Ring	4
43	8.718-766.0	Bolt, 1/4" x 1-1/2"	8
44	9.802-773.0	Nut, 1/4" Flange, Zn	11
45	9.802-776.0	Nut, ESNA, 5/16"	10
46	9.802-753.0	Screw, 1/4" x 3/4" HH, NC Whiz Loc	4
	9.802-773.0	▲ Nut, 1/4" Flange ZN	4
	9.802-802.0	▲ Washer, 1/4" Flat SAE	4
47	8.719-058.0	Pin, 1/8" x 1-1/4" Cotter	4
48	8.719-075.0	Latch Finger	1
49	8.706-294.0	Bushing, 1/2" x 3/8" Steel	1
50	8.911-684.0	Shield, Muffler, SJGDG-3016	1
51	8.911-685.0	Bracket, Pulse Valve SJGDG-3016	1
52	8.719-926.0	Rod, Brake, SJGDG-3016	2
53	8.911-681.0	Rail, Weld Assy, Hose Reel	1
54	8.718-772.0	Screw, 5/16" x 1-1/2", Whiz Loc	4
	9.802-776.0	▲ Nut, 5/16" ESNA	4
	8.718-980.0	▲ Washer, 5/16" Flat, SAE	4
55	8.706-984.0	Adapter 1/2" x 1/2" Pipe	1
56	8.911-672.0	Handle, w/Guard	1

EXPLODED VIEW PARTS LIST (CONT)

SJGDG-3016

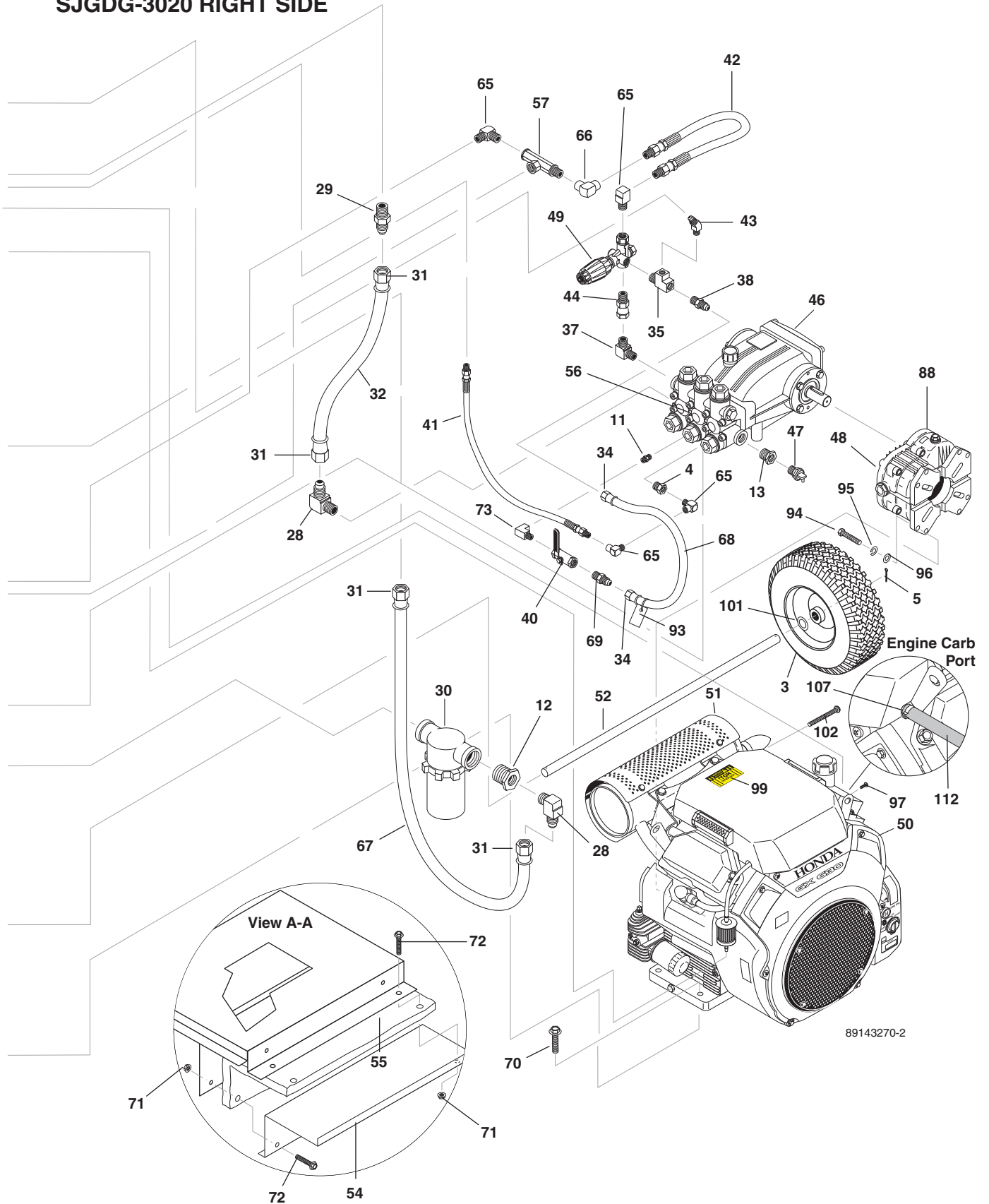
ITEM	PART NO.	DESCRIPTION	QTY	ITEM	PART NO.	DESCRIPTION	QTY
57	9.802-714.0	Bolt, 5/16" x 1-3/4"	8	83	8.900-866.0	Label, General Gas Warning	1
58	8.718-980.0	Washer, 5/16"	22	84	8.900-376.0	Label, Use 90W Gear Lube	1
59	8.911-678.0	Base, Welded	1	85	8.901-120.0	Tag, Water Temp to Pump	1
60	8.911-679.0	Cage, Welded	1	▲ Not Shown			
61	9.802-259.0	Hose, 1/2" Push-On	20 in				
62	8.911-677.0	Axle, 5/8" x 28.1"	1				
63	8.940-285.0	Label, SJGDG-3016	1				
64	8.715-342.0	Gear Reduction, PA B-18, 1"/24mm	1				
65	9.802-802.0	Washer, 1/4" Flat, SAE	11				
66	9.800-006.0	Label "Hot/Caliente" w/Arrows Warning	2				
67	9.800-008.0	Label, Danger Cool Engine	1				
68	8.706-742.0	Plug, Garden Hose Adapter Plastic	1				
69	8.911-683.0	Panel, Control SJGDG-3016	1				
70	9.802-754.0	Screw, 1/4" x 1/2" HH NC, Whiz Loc	3				
71	8.911-682.0	Panel, Decal, SJGDG-3016	1				
72	8.718-630.0	Bolt, 5/16-24" x 1-1/4", NF, HH	4				
73	9.802-207.0	Clamp, Round, 0.56 I.D.	1				
	9.803-551.0	▲ Screw, 5/16" x 3/4" Whiz	1				
	9.802-776.0	▲ Nut, 5/16", ESNA, NC	1				
	8.718-980.0	▲ Washer, 5/16" Flat SAE	1				
74	8.900-978.0	Label, Warning, High Pressure Outlet	1				
75	8.904-458.0	Chem Injector Assy, Shark® Jetter 3-5 GPM (1.107-209.0, 1.107-210.0)	1				
76	9.802-810.0	Washer, 5/8" Flat, SAE	4				
77	8.706-593.0	Cap, 1" Square Black Plastic	4				
78	8.911-676.0	Bracket, Pump Face Plate	1				
79	9.804-566.0	Screw, 10-32" x 1/2" Slot Pan MS ZN	4				
80	8.718-860.0	Nut, 10/32" ESNA, SS	4				
81	8.911-665.0	Assy, Tool Box, Black	1				
82	8.750-982.0	Washer, Brass 3/4"	1				

EXPLODED VIEW
SJGDG-3020 LEFT SIDE



89143270-6

EXPLODED VIEW SJGDG-3020 RIGHT SIDE



89143270-2

EXPLODED VIEW**SJGDG-3020 PARTS LIST**

ITEM	PART NO.	DESCRIPTION	QTY	ITEM	PART NO.	DESCRIPTION	QTY
1	8.911-686.0	Base Plate Assy.	1	32	9.802-261.0	Hose, 3/4, Push-On	15"
2	8.911-687.0	Frame Assy.	1	33	9.802-259.0	Hose, 1/2, Pull-on	20"
3	8.711-907.0	Wheel & Tire, 6.5 Steel Rim, 12.5 Tire	4	34	9.802-151.0	Swivel, 1/2 JIC FEM, Push-On	4
4	8.706-294.0	Bushing, 1/2" x 3/8" Steel	1	35	8.706-859.0	Tee, 3/8 Street	1
5	8.719-058.0	Pin, 1/8 x 1, Cotter	4	36	8.904-457.0	Chemical Injector Assy, Shark Jetter 5-8 GPM (1.107-211.0)	1
6	9.802-768.0	Screw, 3/8 x 1-1/4" Whiz	4	37	9.802-040.0	Elbow, 1/2 JIC, 1/2, 90°	1
7	9.802-779.0	Nut, 3/8, ESNA, NC	4	38	9.802-127.0	Nipple, 1/2 JIC x 3/8 Pipe	1
8	9.802-807.0	Washer, 3/8, SAE, Flat	4	39	8.706-890.0	Elbow, 1/2" x 3/4", Brass	1
9	9.802-254.0	Hose, 1/4, Push-On	24"	40	8.707-198.0	Valve, 1/4 Shut-Off	1
10	8.709-069.0	Clamp, Hose	2	41	8.918-177.0	Hose, 1/4 x 18.25, 1 Wire, 1/4 MPT x 3/8 MPTS	1
11	8.705-973.0	Nipple, 1/4" Hex Steel	1	42	8.918-191.0	Hose, 3/8 x 19, 1 Wire, 3/8 MPT x 3/8 MPTS	1
12	8.706-929.0	Bushing, 1 x 3/4 Barstock	2	43	9.802-133.0	Elbow, 1/2 JIC x 3/8, 45°	1
13	8.706-925.0	Bushing, 3/4 x 1/2 Pipe	2	44	9.802-048.0	Swivel, 1/2 JIC Fem, 3/8 MAL	1
14	9.802-146.0	Swivel, 1/2 MP x 3/4 GHF w/Strainer	1	45	8.706-519.0	Bumper, Rubber 1 w/Bolt	2
	9.802-179.0	▲ Valve, Anti-Siphon	1	46	8.920-597.0	Pump, Legacy GX9536R	1
15	8.706-162.0	Elbow, 1/4, Female Pipe	1	47	8.707-256.0	Pump Protector, 1/2 PTP	1
16	8.706-652.0	Battery Box, Small	1	48	8.715-344.0	Gear Reduction, PA B-18, 1/25mm	1
	9.802-091.0	▲ Plate, Battery Box, Small Polypro	1	49	8.750-298.0	Unloader, VRT 3, 8 GPM @ 3630 PSI	1
17	8.712-150.0	Gauge, 0-6000 PSI	1	50	8.752-149.0	Engine, Honda, GX630R, No Throttle	1
18	8.707-184.0	Coupler, 3/8 Female, Screw-Type	1		8.716-481.0	▲ Cable, Battery, 29" Black, 4 Ga.	1
19	8.911-665.0	Assy, Tool Box, Gloss Black	1		9.802-503.0	▲ Cable, Battery, 32" Red, 4 Ga.	1
20	8.718-612.0	Stud, 1/4-20, Brass w/Groove	1		9.802-959.0	▲ Key, 0.247 SQR x 2.125"	1
21	8.749-329.0	Valve, 3/4" Float	1	51	8.750-498.0	Muffler, GX630/GX660, Left	1
22	8.706-516.0	Ball, Float, Cylindrical	1		8.739-597.0	▲ Bolt, Flange M8 x 20	2
23	9.802-052.0	Bulkhead, 3/4 Polypro	2	52	8.911-677.0	Axle, 5/8 x 28.1 L	1
24	8.911-689.0	Strap, Tank	2	53	8.750-982.0	Washer, Brass 3/4"	1
25	8.706-610.0	Tank, Applicator, 12 Gal.	1	54	8.911-688.0	Shield, Heat	1
26	8.751-408.0	Tank, 7.25 Gal., Blank	1	55	8.717-427.0	Insulation, Blanket w/ASJ Foil, 2 Sides	1.25 SF
27	8.750-674.0	Cap, Ratchet, Non Vent, Non Vent, Unleaded	1	56	8.717-696.0	Cap Valve w/ 1/4 Gauge Port, LX Series	1
28	9.803-557.0	Elbow, 3/4 SAE x 3/4, 90°, Brass	3	57	8.707-218.0	Valve, 3/8" Ball, 2-Way, Brass	1
29	8.706-899.0	Nipple, 3/4 JIC x 3/4 Pipe	1				
30	8.707-060.0	Strainer	1				
31	9.802-152.0	Swivel, 3/4 SAE Fem, Push-on	4				

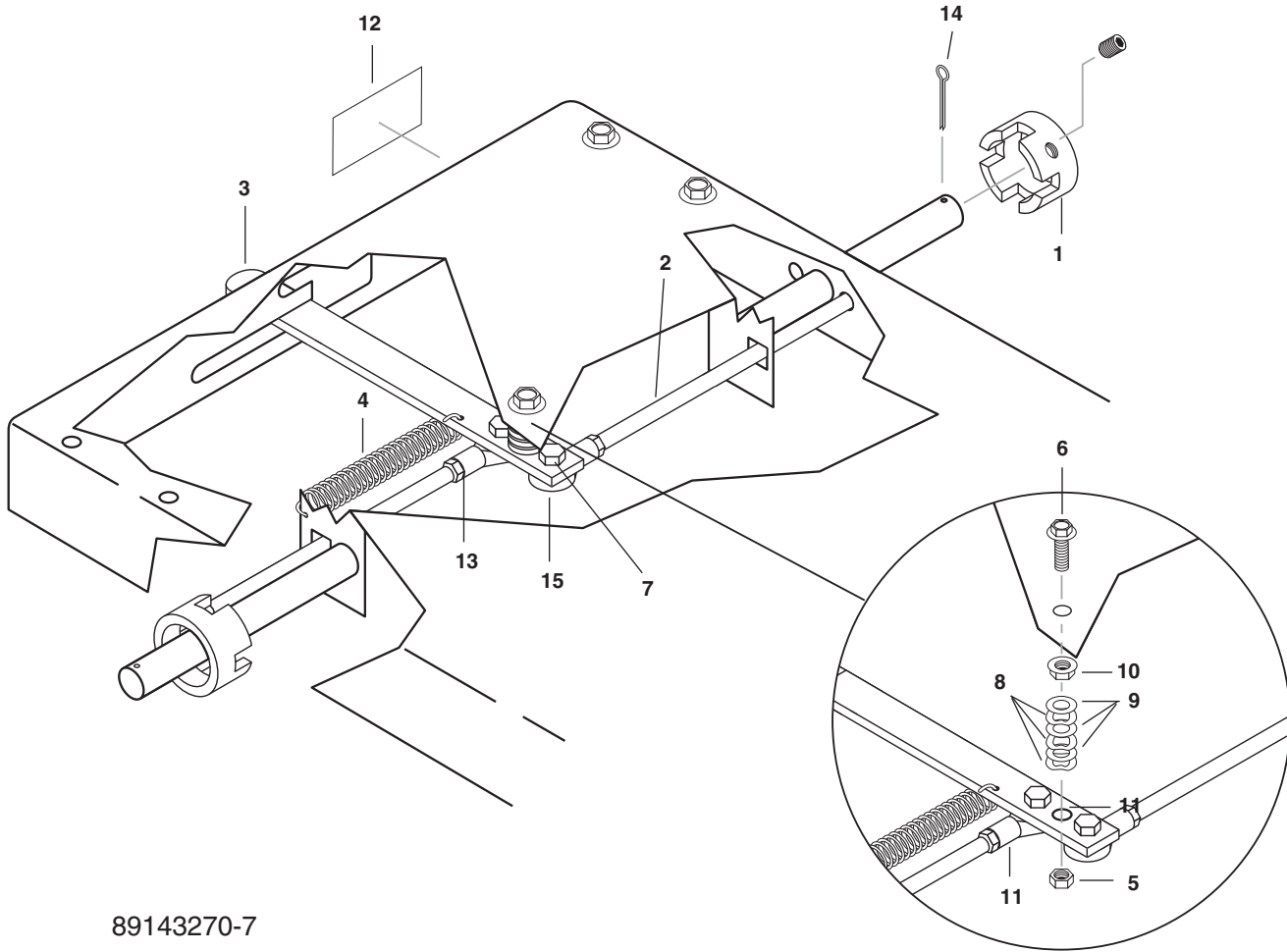
**EXPLODED VIEW
SJGDG-3020 PARTS LIST**

ITEM	PART NO.	DESCRIPTION	QTY
58	8.900-993.0	Label, SJGDG-3020 w/Pulse Technology, Front Panel	1
59	8.751-059.0	Vent, Remote Assy, Carb	1
60	8.751-215.0	Grommet, Remote Vent, Kelch (203403)	1
61	8.751-381.0	Carbon Canister, 1.2L	1
62	8.706-800.0	Nipple, 3/4" Hex	1
63	9.800-001.0	Label, This Tank for Gas Only	1
64	9.802-704.0	Screw, 1/4-20x 1/2, Tri-round	4
65	8.706-207.0	Elbow, 3/8" Street	4
66	8.706-167.0	Elbow, 3/8" Female, Pipe	1
67	9.802-261.0	Hose, 3/4" Push-On	39"
68	9.802-259.0	Hose, 1/2", Push-On	16"
69	8.706-872.0	Nipple, 1/2" JIC x 1/4" Pipe	1
70	9.803-560.0	Screw, 3/8" x 2.0" HH, NC, Whiz Loc	4
71	9.802-778.0	Nut, Whiz Loc 5/16 Flange	4
72	9.802-755.0	Screw, 5/16" x 1-1/4" Whiz	4
73	8.706-827.0	Elbow, 1/4" Street	1
74	8.900-866.0	Label, Warning	1
75	9.802-754.0	Screw, 1/4" x 1/2" HH NC, Whiz Loc	2
76	9.802-773.0	Nut, 1/4" ESNA, NC	2
77	9.802-802.0	Washer, 1/4", Flat, SAE	2
78	8.931-131.0	Bracket, Pump Support, GX (Use SJGDG-3016 Bracket that comes with Pump)	1
79	8.706-832.0	Elbow, 3/4" Street	1
80	8.706-800.0	Nipple, 3/4" Hex	1
81	8.707-062.0	Strainer, 3/4" Basket, 40 Mesh	1
82	9.802-744.0	Bolt, 10mm x 20mm	2
83	9.802-816.0	Washer, 7/16" Lock	2
84	9.800-008.0	Label, Danger	1
85	9.802-770.0	Screw, 1/4" x 1" BHSOC CS	2
86	9.802-775.0	Nut, 1/4" Whiz Loc	1
87	9.802-705.0	Bolt, 1/4" x 1" Carriage	1
88	8.900-376.0	Label, Use 90W Gear Lube	1
89	9.802-802.0	Washer, 1/4" Flat SAE	2
90	9.802-773.0	Nut, 1/4" ESNA, NC	2

ITEM	PART NO.	DESCRIPTION	QTY
81	8.707-062.0	Strainer, 3/4" Basket, 40 Mesh	1
82	9.802-744.0	Bolt, 10mm x 20mm	2
83	9.802-816.0	Washer, 7/16" Lock	2
84	9.800-008.0	Label, Danger	1
85	9.802-770.0	Screw, 1/4" x 1" BHSOC CS	2
86	9.802-775.0	Nut, 1/4" Whiz Loc	1
87	9.802-705.0	Bolt, 1/4" x 1" Carriage	1
88	8.900-376.0	Label, Use 90W Gear Lube	1
89	9.802-802.0	Washer, 1/4" Flat SAE	2
90	9.802-773.0	Nut, 1/4" ESNA, NC	2
91	9.802-776.0	Nut, 5/16" ESNA NC	2
92	8.718-980.0	Washer, 5/16" Flat, SAE	2
93	8.901-120.0	Tag, Water Temp to Pump	1
94	8.718-630.0	Belt, 5/16-24" x 1-1/4" NF, HH	4
95	9.802-813.0	Washer, 5/16", Lock, Split Ring	4
96	8.718-980.0	Washer, 5/16", Flat, SAE	4
97	9.802-830.0	Screw, Hex, 1/4"-20 x 1/2" TF	1
98	8.920-662.0	Label, Panel, Jetter Logo	1
99	9.800-006.0	Label, "Hot/Caliente" w/Arrows Warning	1
100	8.706-742.0	Plug, Garden Hose Adapter	1
101	9.802-810.0	Washer, 5/8" Flat, SAE	2
102	8.718-781.0	Screw, Pan Head	1
103	8.932-968.0	Label, Intended for Outdoor Use	1
104	9.802-512.0	Cable Tie, 48"	2
105	8.753-270.0	Reducer, Connector 3/8" x 1/4"	2
106	8.753-066.0	Clamp, 1 Ear, #7	4
107	8.753-065.0	Clamp, 1 Ear, #10	4
108	8.711-785.0	Hose, 3/8" Push-On	6"
109	9.803-531.0	Dip Tube Assy, Plastic, 10"	1
110	9.802-053.0	Bushing, Fuel Line, Rubber	1
111	9.802-254.0	Hose, 1/4" Push-On	4"
112	8.711-785.0	Hose, 3/8" Push-On	22"
113	9.802-254.0	Hose, 1/4" Push-On	20"
114	8.716-533.0	Clamp, Tie Wrap, Adhesive	1
115	9.802-511.0	Cable Tie, Black	1

▲ Not Shown

**FOOT BRAKE ASSEMBLY
AND PARTS LIST**

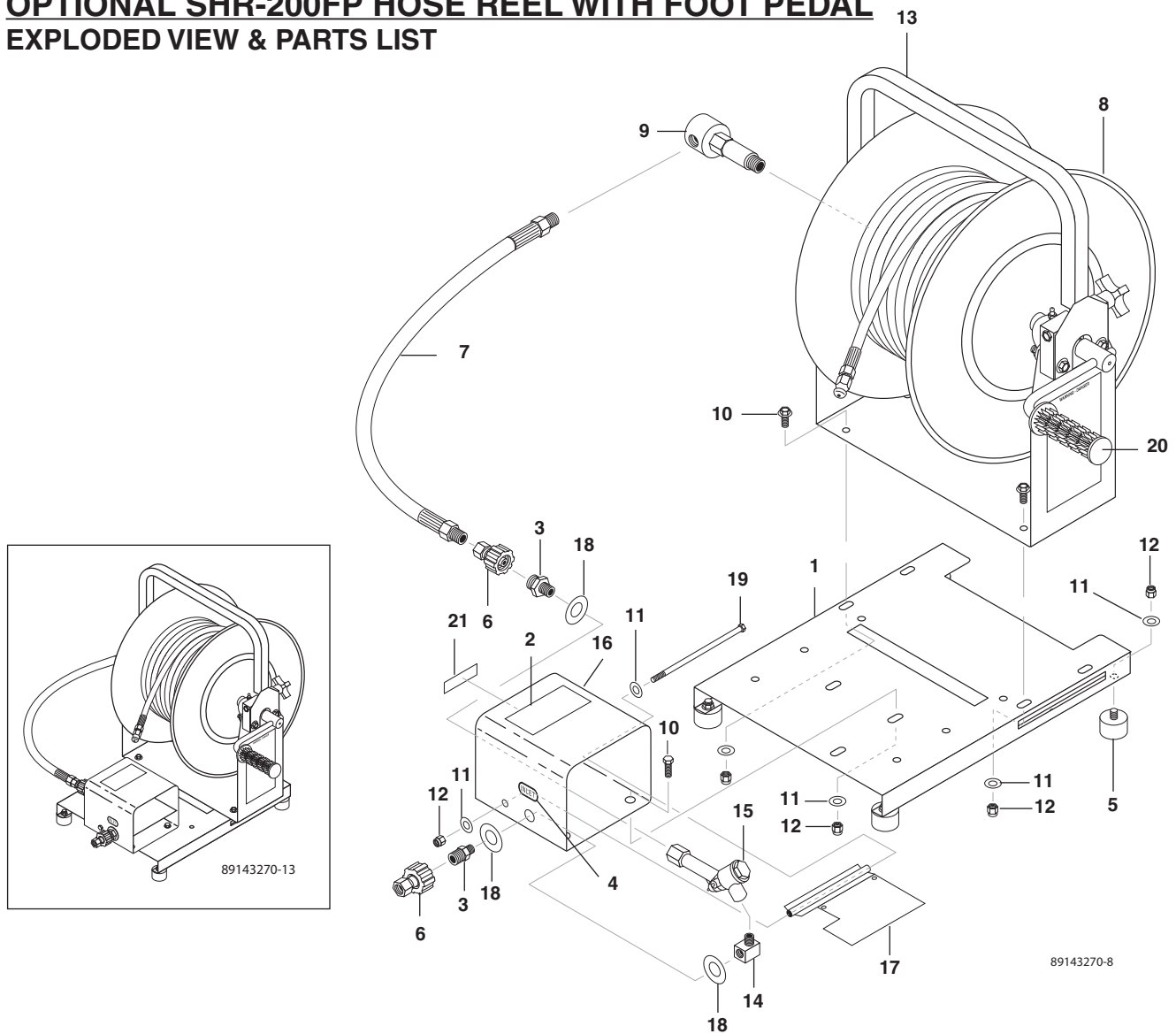


89143270-7

ITEM	PART NO.	DESCRIPTION	QTY
1	8.719-924.0	Collar, Brake Lock	2
2	8.719-926.0	Rod, Brake, SJGDG-3016	2
3	8.911-661.0	Bracket, Brake	1
4	8.719-113.0	Spring, SJGDG-3016 Brake	1
5	9.802-779.0	Nut, 3/8", ESNA, NC	1
6	9.803-560.0	Screw, 3/8" x 2", Whiz Loc	1
7	9.802-768.0	Screw, 3/8" x 1-1/4", Whiz Loc	2
8	8.719-018.0	Washer, 3/8" Wave	3
9	9.802-807.0	Washer, 3/8" SAE, Flat	3
10	9.802-781.0	Nut, 3/8", Flange, Whiz Loc	1

ITEM	PART NO.	DESCRIPTION	QTY
11	8.719-121.0	Linkage, 3/8 Joint, Jetter Brake	2
12	8.900-980.0	Label, Brake	1
13	8.718-890.0	Nut, 3/8-24, Hex NF	2
14	8.719-058.0	Pin, 1/8" x 1" Cotter	4
15	9.802-779.0	Nut, 3/8" Esna	2

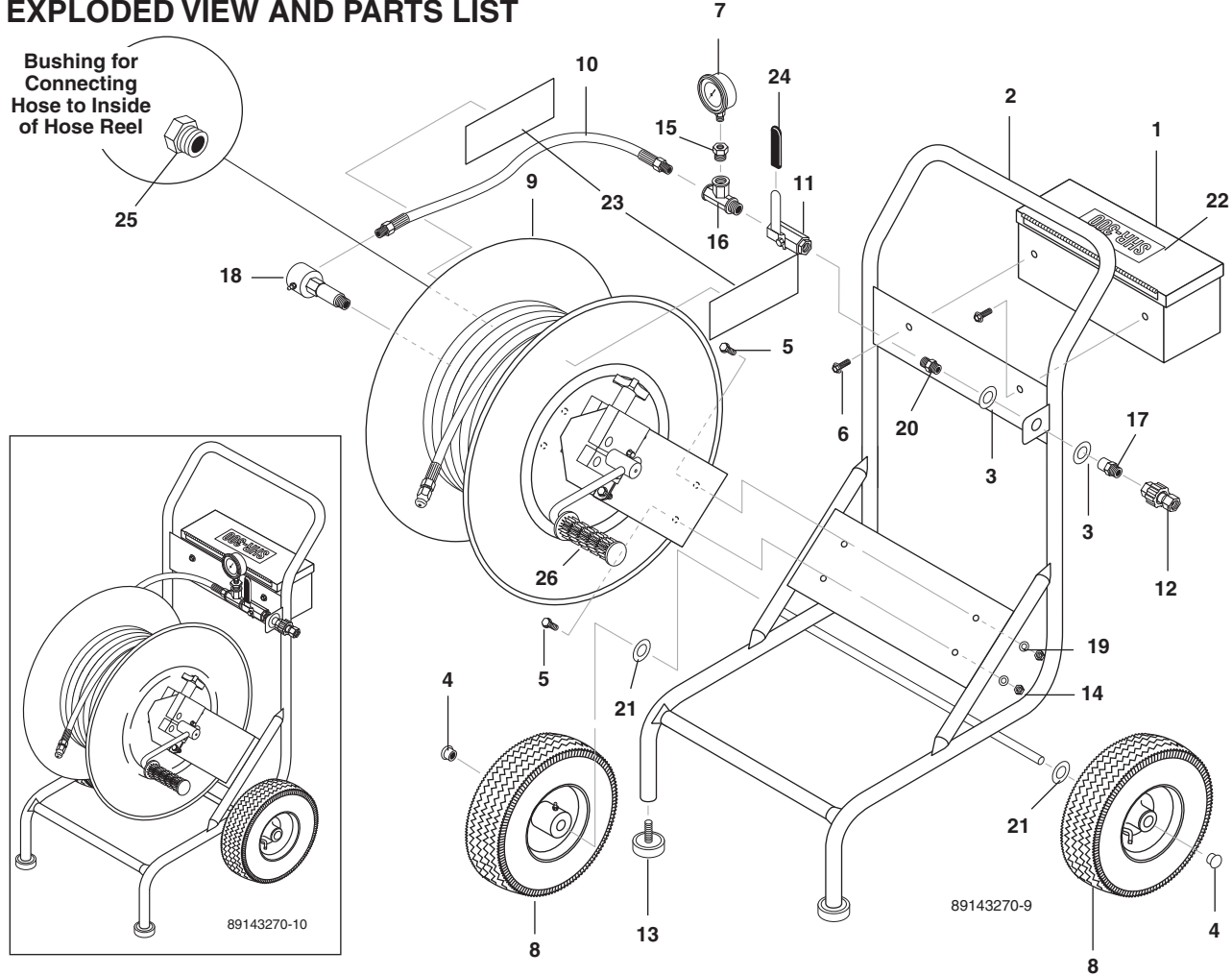
**OPTIONAL SHR-200FP HOSE REEL WITH FOOT PEDAL
EXPLODED VIEW & PARTS LIST**



ITEM	PART NO.	DESCRIPTION	QTY
1	8.911-637.0	Bracket, Hose Reel Mount	1
2	8.940-374.0	Label, SHR-200	1
3	8.707-186.0	Nipple, 1/4" x M22, Twist	2
4	8.940-349.0	Label, Inlet	1
5	8.706-519.0	Foot, Rubber	4
6	8.707-182.0	Coupler, 3/8" Female Screw Type 7640	2
7	8.918-188.0	Hose, 3/8" x 17.5", 1 Wire, 3/8" MNPT(SLD) x 3/8" MNPT(SWL)	1
8	8.711-866.0	Hose Reel, 13"	1
9	8.711-874.0	Swivel, 3/8" x 3/8"	1
10	9.803-551.0	Screw, 5/16" x 3/4" Whiz Loc	7

ITEM	PART NO.	DESCRIPTION	QTY
11	8.718-980.0	Washer, 5/16"	13
12	9.802-776.0	Nut, 5/16" ESNA	12
13	8.911-636.0	Hose Reel Guard	1
14	8.706-827.0	Elbow, 1/4" Street	1
15	8.718-436.0	Valve Assy, Complete	1
16	8.911-654.0	Cover, Welded Assy. Foot Valve	1
17	8.911-655.0	Plate, Foot Valve Assy	1
18	9.802-800.0	Washer, 1/2" Flat	3
19	8.718-640.0	Bolt, 5/16" x 6-1/2" HH, NC	1
20	9.802-069.0	Grip, 1" Handle, Waffle	1
21	8.940-343.0	Label, Discharge	1

SHR-300 EXPLODED VIEW AND PARTS LIST



ITEM	PART NO.	DESCRIPTION	QTY
1	8.911-665.0	Assy, Tool Box, Orange	1
2	8.911-642.0	Assy, Frame, Shark® SHR-300	1
3	8.719-007.0	Washer, 3/4" x 1-1/2", .102 THK Brass	2
4	8.718-848.0	Cap, 5/8" Axle	2
5	9.803-551.0	Screw, 5/16" x 3/4" Whiz	4
6	9.802-754.0	Screw, 1/4" x 1/2" HH NC, Whiz Loc	2
	9.802-773.0	▲ Nut, 1/4" ESNA	2
	9.802-802.0	▲ Washer, 1/4" Flat, SAE	2
7	8.712-141.0	Gauge, Pressure 0-5000 PSI	1
8	8.754-186.0	QH Wheel Assy, 10" Gray Steel Rim, w/Tub	2
9	8.711-865.0	Hose Reel, 18"	1
10	8.918-195.0	Hose, 3/8" x 23", 1 Wire 3/8" SMNPT x 3/8" SWMNPT	1
11	8.707-204.0	Valve, 3/8" Ball, Steel	1

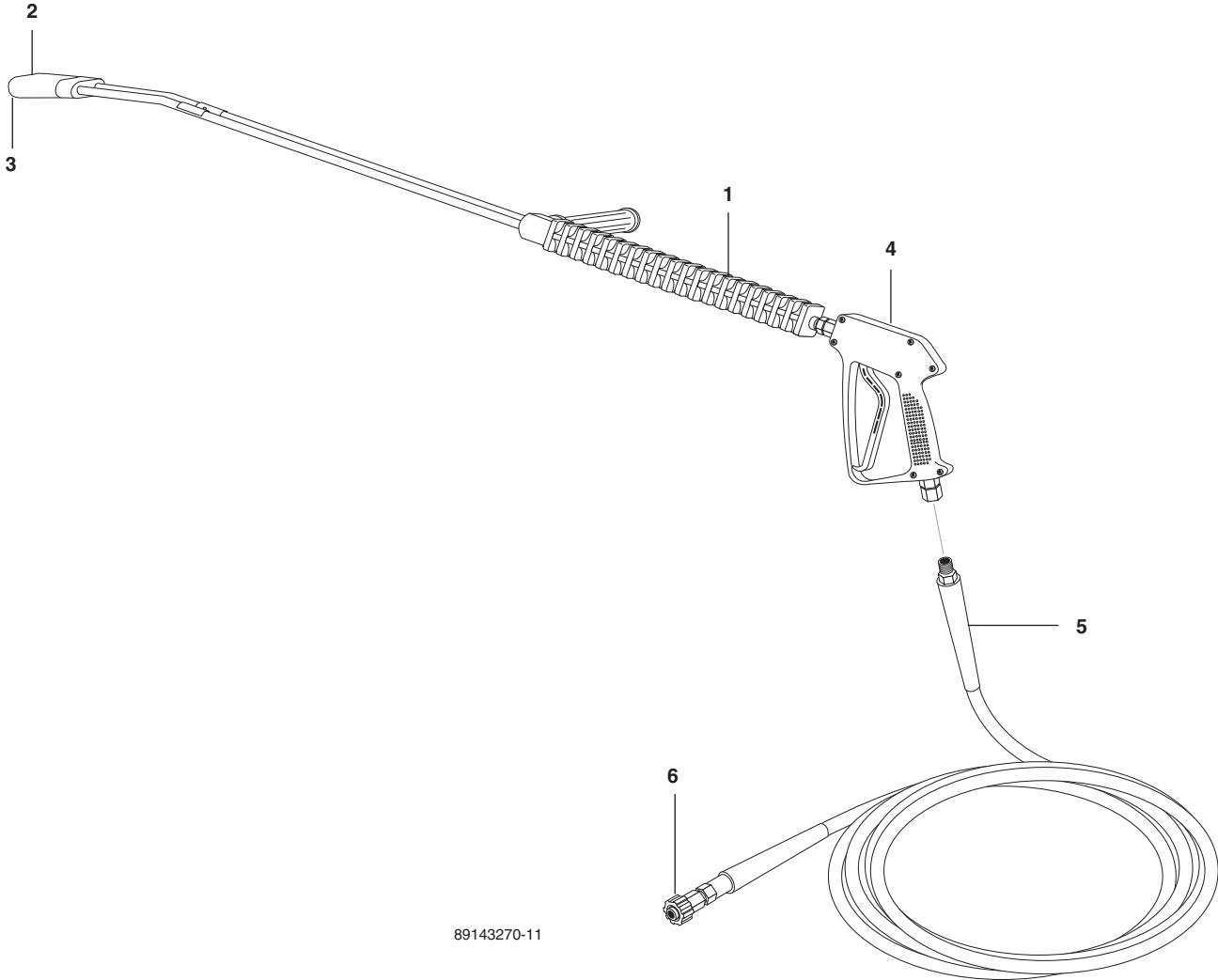
ITEM	PART NO.	DESCRIPTION	QTY
12	8.707-182.0	Coupler, 3/8" Female Screw-Type 7640	1
13	8.706-511.0	Foot, Rubber (Crutch)	2
14	9.802-776.0	Nut, 5/16" ESNA	4
15	8.706-297.0	Bushing, 3/8" x 1/4" Steel	1
16	8.706-234.0	Tee, 3/8" Street	1
17	8.707-184.0	Nipple, 3/8" FX M22, Twist Coupler	1
18	8.711-875.0	Swivel, 1/2" x 3/8"	1
19	8.718-980.0	Washer, 5/16" Flat	4
20	8.705-974.0	Nipple, 3/8" Hex Steel	1
21	9.802-810.0	Washer, 5/8" Flat, SAE	2
22	8.940-342.0	Label, SHR-300	1
23	8.900-862.0	Label, Logo	2
24	8.706-690.0	Cover, Handle, LG	1
25	8.706-294.0	Bushing, 1/2" x 3/8", Steel	1
26	9.802-069.0	Grip, 1" Handle, Waffle	1

▲ Not Shown

HOSE AND SPRAY GUN ASSEMBLY

EXPLODED VIEW AND PARTS LIST SJGDG-3020 • SJGDG-3016

(1.107-209.0, 1.107-210.0, 1.107-211.0)

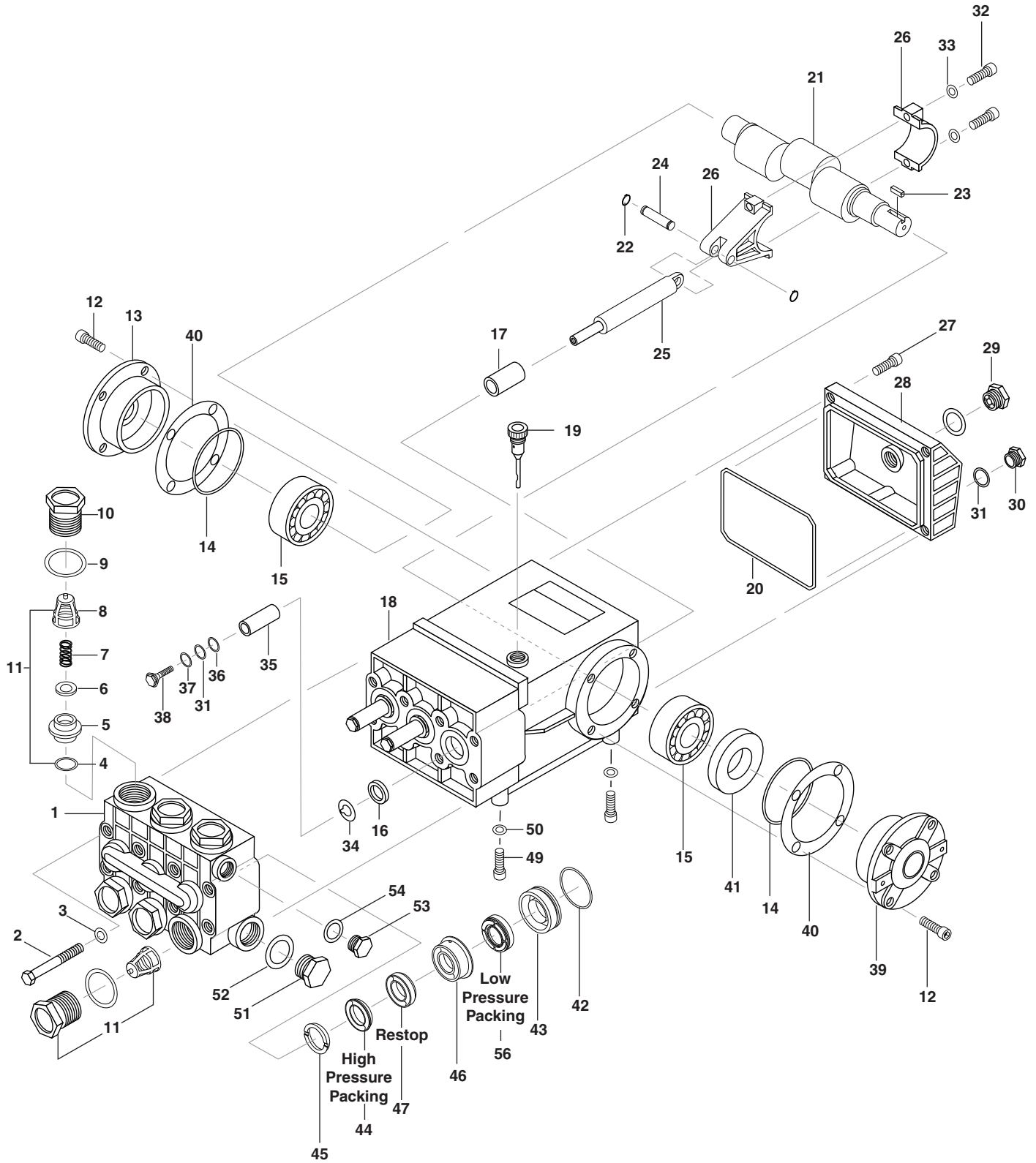


89143270-11

ITEM	PART NO.	DESCRIPTION	QTY
1	8.904-454.0	Wand, VP ARO, Soap Nozzle (SJGDG-3020)	1
	8.904-452.0	Wand, VP, ARO, Soap & 2506 (SJGDG-3016)	1
2	8.711-436.0	Nozzle Only, 1/4" MEG 2509 (SJGDG-3020)	1
	8.711-408.0	Nozzle Only, SA, 1/4" Meg-2506 (SJGDG-3016)	1
3	8.711-457.0	Nozzle Only, H-1/4"-U-6540, VEEJET (SJGDG-3020)	1
	8.711-457.0	Nozzle Only, H-1/4"-U-6540, VeeJet (SJGDG-3016)	1

ITEM	PART NO.	DESCRIPTION	QTY
4	8.710-384.0	Gun, ST-1500, 5000 PSI 10.4 GPM	1
5	8.925-129.0	HOSE, 3/8" X 50' 1W 4000PSI SW X SO	1
6	8.707-182.0	Coupler, 3/8" Female Screw-Type 7640	1

PUMP MODEL NO. TS-2021 #8.715-337.0
EXPLODED VIEW



PUMP MODEL NO. TS-2021 #8.715-337.0
EXPLODED VIEW PARTS LIST, SPECS

ITEM	PART NO.	DESCRIPTION	QTY
1	1-47120941	Pump Head	1
2	1-99320600	Screws	8
3	1-96702000	Washers	8
4	1-90384100	O Rings (Kit 1-0001)	6
5	1-36200366	Valve Seats (Kit 1-0001)	6
6	1-36200176	Valve Plates (Kit 1-0001)	6
7	1-94737600	Springs (Kit 1-0001)	6
8	1-36200251	Valve Guides (Kit 1-0001)	6
9	1-90384700	O Rings (Kit 1-0005)	6
10	1-98222200	Valve Caps (Kit 1-0005)	6
11	1-36703201	Valve Assembly (Available only in Kit 1-0001)	6
12	1-99303900	Screws	8
13	1-47150122	Side Crankcase Cover (Closed)	1
14	1-90391300	O-Rings	2
15	1-91837500	Tapered Roller Bearings	2
16	1-90162500	Oil Seals (Available only in Kit 1-0002)	3
17	1-90912600	Bushings	3
18	1-47010422	Crankcase	1
19	1-98210600	Oil Dip Stick	1
20	1-90392200	Cover Gasket	1
21	1-47021735	Crankshaft	1
22	1-90055700	Snap Rings	6
23	1-91489000	Key	1
24	1-97738000	Wrist Pins	3
25	1-47050356	Piston Guides	3
26	1-47030001	Connecting Rods	3
27	1-99191200	Screws	5
28	1-47160122	Rear Crankcase Cover	1
29	1-97596800	Oil Level Indicator	1
30	1-98204100	Cap	1
31	1-90358500	O Rings (Kit 1-0006)	4
32	1-99309900	Screws	6
33	1-96701400	Washers	6
34	1-96728600	Washers (Kit 1-0006)	3

ITEM	PART NO.	DESCRIPTION	QTY
35	1-47040409	Pistons	3
36	1-90506700	Anti-Extrusion Rings (Kit 1-0006)	3
37	1-96728000	Washers (Kit 1-0006)	3
38	1-47219566	Piston Screws (Kit 1-0006)	3
39	1-47150022	Side Crankcase Cover (Open)	1
40	1-97567800	Shims	2
41	1-90164800	Oil Seal (Kit 1-0003)	1
42	1-90361600	O Rings (Kit 1-0028)	3
43	1-47080570	Packing Retainers (Kit 1-0028)	3
44	1-90270500	Packings, High Pressure Seal (Kits 1-0008, 1-0028, 1-0069)	3
45	1-47100051	Head Rings (Kits 1-0007, 1-0028)	3
46	1-47216970	Intermediate Rings (Kit 1-0028)	3
47	1-90270400	Restop (Kit 1-0028, 1-0069)	3
49	1-99364400	Screws	4
50	1-96710600	Washers	4
51	1-98217600	Cap	1
52	1-96751400	Washer	1
53	1-98210000	Cap	1
54	1-96738000	Washer	1
56	1-90271000	Packings, Low Pressure Seal (Kits 1-0008, 1-0028, 1-0069)	3

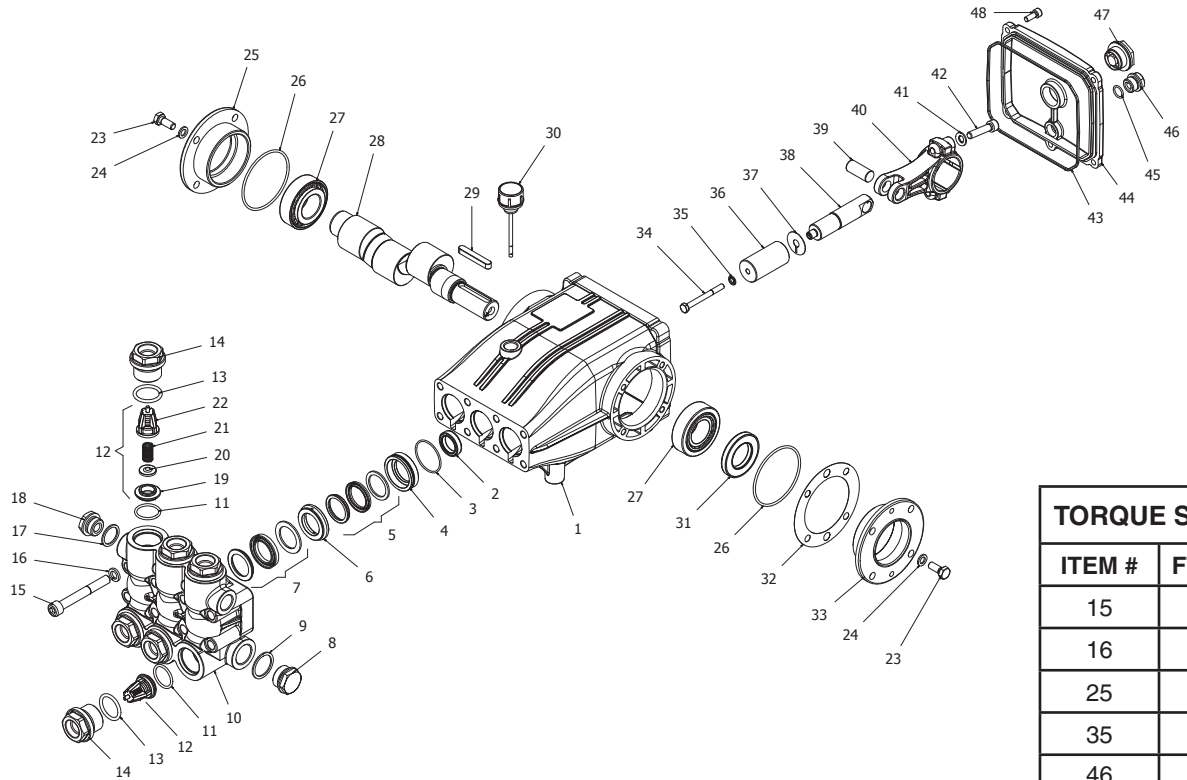
For proper pump repair and ease of packing insertion the following tool is recommended:
 1-ZMVTOOL Packing Insertion Tool

Crankcase Oil Capacity, 40.6 oz.

TORQUE SPECS			
Item	Ft. Lbs	Item	Ft. Lbs
2	22.1	32	14.7
10	73.7	38	14.7
12	14.7	49	29.4
27	7.3	51	29.4
29	13.2	53	29.4
30	14.7		

KIT NO.	1-0001	1-0002	1-0003	1-0005	1-0006	1-0007	1-0008	1-0028	1-0069
Assembly (Pos. #)	4, 5, 6, 7, 8, 11	16	41	9, 10	31, 34, 36, 37, 38	45	44, 56	42, 43, 44, 45, 46, 47, 56	44, 47, 56
# of Assemblies	6	3	2	6	3	6	3	1	3

LEGACY GX 9536R PUMP #8.920-597.0 EXPLODED VIEW & PARTS LIST



TORQUE SPECS	
ITEM #	FT. LBS.
15	95
16	60
25	8
35	10
46	30
52	7.6

ITEM	PART NO.	DESCRIPTION	QTY
1	8.752-825.0	Crankcase	1
2*	See Kit Below	Plunger Oil Seal	3
3*	See Kit Below	O-Ring Ø1.78 x 37.82	3
4*	See Kit Below	Pressure Ring	3
5*	See Kit Below	U-Seal	3
6*	See Kit Below	Intermediate Ring	3
7*	See Kit Below	U-Seal	3
8	9.803-285.0	Brass Plug, G3/4	1
9	9.803-286.0	Copper Washer 3/4	1
10	8.752-831.0	Manifold Housing Ø22/Ø20/ (9536,1036)	1
11*	8.752-836.0	O-Ring Ø2.62 x 21.89 (9536,1036)	6
12*	See Kit Below	Valve Assembly (9536,1036)	6
13*	9.803-287.0	O-Ring Ø3.53 x 25.80 (9536,1036)	6

ITEM	PART NO.	DESCRIPTION	QTY
14	8.752-855.0	Valve Plug (9536,1036)	6
15	8.752-833.0	Manifold Stud Bolt	8
16	9.802-890.0	Lock Washer	8
17	9.803-199.0	Copper Washer 1/2	1
18	9.802-926.0	Brass Plug G1/2	1
19	See Kit Below	Valve Seat	6
20	See Kit Below	Valve Plate	6
21	See Kit Below	Valve Spring	6
22	See Kit Below	Valve Cage	6
23	8.752-830.0	Hex Screw	8
24	9.802-884.0	Washer	8
25	9.803-182.0	Closed Bearing Housing	1
26	9.803-186.0	O-Ring Ø2.62 x 71.12	2
27	9.803-160.0	Roller Bearing	2
28	8.752-829.0	Crankshaft Ø25 (9536,1622)	1
	8.752-827.0	Crankshaft Ø25 (1036)	1
29	9.803-293.0	Crankshaft Key	1

LEGACY GX 9536R PUMP #8.920-597.0
PARTS LIST CONTINUED

ITEM	PART NO.	DESCRIPTION	QTY
30	8.752-834.0	Oil Dip Stick	1
31	9.803-139.0	Crankshaft Seal	1
32	9.803-177.0	Shim	2
33	9.803-181.0	Bearing Housing	1
34*	8.752-841.0	Plunger Bolt	3
35*	8.752-820.0	Bonded Seal	3
36*	8.752-847.0	Plunger, 22mm (9536,1036)	3
37*	8.752-823.0	Copper Spacer	3
38	8.752-842.0	Plunger Rod	3
39	8.752-822.0	Connecting Rod Pin	3
40	8.752-821.0	Connecting Rod	3
41	9.802-889.0	Spring Washer	6
42	9.802-937.0	Connecting Rod Screw	6
43	9.803-194.0	O-Ring Ø2.62 x 152.07	1
44	8.752-826.0	Crankcase Cover	1
45	9.803-906.0	O-Ring Ø1.78 x 14.00	1
46	8.707-262.0	Brass Plug G3/8	1
47	9.803-202.0	Sight Glass G3/4	1
48	8.752-824.0	Cover Screw	5

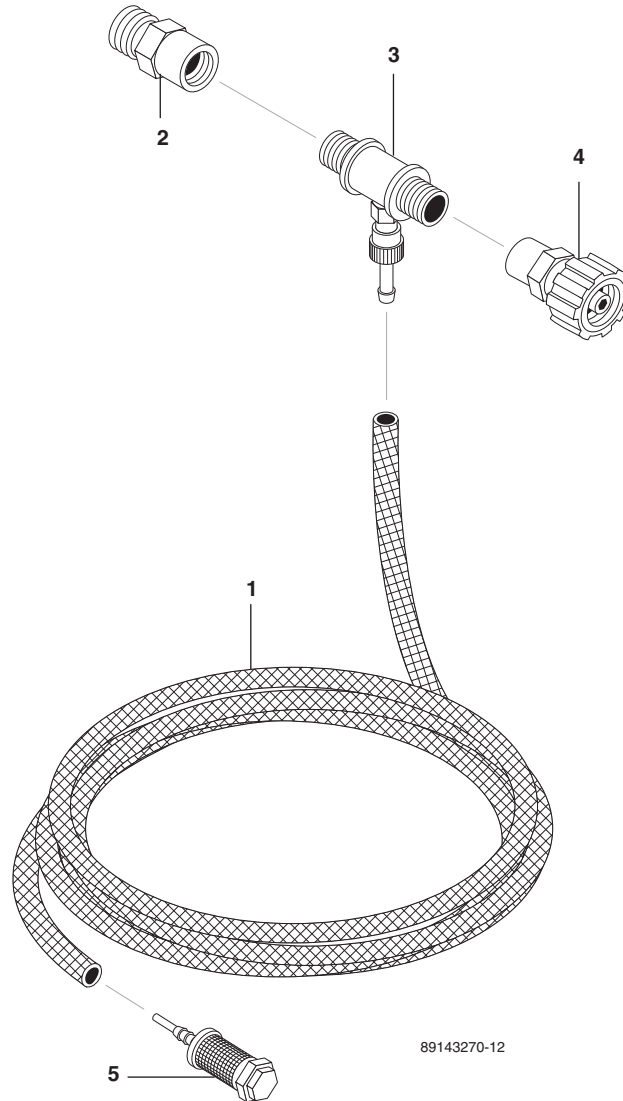
* Available in kit (See below)

KIT NUMBERS	8.752-844.0	8.752-850.0	8.752-839.0	8.752-853.0	8.752-835.0
KIT DESCRIPTION	Plunger Seals 22 mm	Seal Packing 22mm	Plunger 22mm	Complete Valve	Plunger Oil Seals
ITEMS NUMBERS INCLUDED	3, 5, 7	3, 4, 5, 6, 7	34, 35, 36, 37	11, 12, 13	2
NUMBER OF CYLINDERS KIT WILL SERVICE	3	1	1	6	3

INJECTOR SCREW COUPLER

SJGDG-3016 8.904-458.0 (1.107-209.0, 1.107-210.0)

SJGDG-3020 8.904-457.0 (1.107-211.0)



89143270-12

ITEM	PART NO.	DESCRIPTION	QTY
1	9.802-252.0	Hose, 1/4" x 1/2" Braided Vinyl	1
2	8.707-184.0	Plug, 3/8" Screw Type Coupler 7642	1
3	8.709-418.0	Injector, Detergent Adj., 3/8" M x M, 3-5 GPM (SJGDG-3016)	1
	8.904-194.0	Injector, Detergent, Adj. 5-8 GPM (SJGDG-3020)	1
4	8.707-182.0	Coupler, 3/8" Female Screw Type 7640	1
5	8.707-057.0	Strainer, 1/4"	1

SPECIFICATIONS
NOZZLES

JETTING NOZZLES						
Part Number	Size	Thread Size	Forward Jet	Rear Jets	Max PSI	Available In Set
8.710-877.0	6.0	1/4"	1	4	4200	9.803-321.0
8.710-878.0	4.5	1/4"	1	3	4200	9.803-319.0
8.710-879.0	8.0	1/4"	1	3	4200	9.803-322.0
8.710-886.0	8.5	3/8"	1	4	4200	9.803-322.0
8.751-944.0	3.0	1/8"	0	3	5100	9.803-318.0
8.751-945.0	3.0	1/8"	1	3	5100	9.803-318.0
8.751-946.0	3.0	1/4"	0	3	5100	9.803-318.0
8.751-947.0	3.0	1/4"	1	3	5100	9.803-318.0
8.751-951.0	4.5	3/8"	1	3	4100	9.803-319.0
8.751-952.0	6.0	1/4"	0	3	5100	9.803-321.0
8.751-953.0	6.0	1/4"	1	3	5100	9.803-321.0
8.751-956.0	6.0	3/8"	0	3	5100	9.803-320.0
8.751-957.0	6.0	3/8"	1	3	5100	9.803-320.0
8.751-958.0	6.0	3/8"	1	9	3650	

ROTATING NOZZLES					
Part Number	Size	Thread Size	Forward Jet	Rear Jets	Max PSI
8.710-899.0	5.5	1/8"	0	3	4000
8.710-898.0	5.5	1/4"	0	3	4000
8.710-900.0	8.0	1/4"	0	3	4000

DUCT CLEANER ROTATING NOZZLES					
Part Number	Size	Thread Size	Forward Jet	Side Jets	Max PSI
8.710-887.0	5.5	1/4"	0	2	4000

NOZZLE SETS			
Part Number	Size	Description	Number of Nozzles
9.803-318.0	3.0	Nozzle Kit, 1/8" and 1/4"	4
9.803-319.0	4.5	Nozzle Kit, 1/8" and 1/4"	2
9.803-320.0	6.0	Nozzle Kit, 3/8"	2
9.803-321.0	6.0	Nozzle Kit, 1/4"	3
9.803-322.0	8.0	Nozzle Kit, 1/4" and 3/8"	2

SPECIFICATIONS
JETTER HOSES, ADAPTERS AND BUSHINGS

JETTER HOSES					
Part Number	Diameter	Length (ft)	Max PSI	End 1	End 2
8.751-927.0	1/8"	25	4800	1/8" MPT	1/8" MPT
8.751-927.0	1/8"	50	4800	1/8" MPT	1/8" MPT
8.751-929.0	1/8"	75	4800	1/8" MPT	1/8" MPT
8.705-601.0	1/8"	25	4800	1/4" MPT	1/8" MPT
8.705-602.0	1/8"	50	4800	1/4" MPT	1/8" MPT
8.705-603.0	1/8"	100	4800	1/4" MPT	1/8" MPT
8.705-607.0	1/4"	50	2600	1/4" MPT	1/4" MPT
8.705-608.0	1/4"	100	2600	1/4" MPT	1/4" MPT
8.705-610.0	1/4"	50	4400	1/4" MPT	1/4" MPT
8.795-611.0	1/4"	100	4400	1/4" MPT	1/4" MPT
8.751-930.0	1/4"	150	4400	1/4" MPT	1/4" MPT
8.751-931.0	1/4"	200	4400	1/4" MPT	1/4" MPT
8.751-932.0	3/8"	50	4000	3/8" MPT	3/8" MPT
8.751-933.0	3/8"	100	4000	3/8" MPT	3/8" MPT
8.751-934.0	3/8"	150	4000	3/8" MPT	3/8" MPT
8.751-935.0	3/8"	200	4000	3/8" MPT	3/8" MPT
8.751-936.0	3/8"	250	4000	3/8" MPT	3/8" MPT
8.751-937.0	3/8"	300	4000	3/8" MPT	3/8" MPT
8.751-938.0	1/2"	100	4000	1/2" MPT	1/2" MPT
8.751-939.0	1/2"	150	4000	1/2" MPT	1/2" MPT
8.751-940.0	1/2"	200	4000	1/2" MPT	1/2" MPT
8.751-941.0	1/2"	250	4000	1/2" MPT	1/2" MPT
8.751-942.0	1/2"	300	4000	1/2" MPT	1/2" MPT
8.751-943.0	1/2"	400	4000	1/2" MPT	1/2" MPT

ADAPTERS & BUSHINGS	
Part Number	Description
9.803-054.0	1/4" X 1/8" FPT X MPT
8.705-185.0	3/8" X 1/8" FPT X MPT
9.804-007.0	3/8" X 1/4" FPT X MPT
9.803-564.0	1/8" X 1/4" FPT X MPT
8.705-129.0	1/4" X 3/8" FPT X MPT
8.705-364.0	1/4" X 1/4" FPT X FPT
8.705-366.0	3/8" X 3/8" FPT X FPT
8.705-369.0	1/2" X 1/2" FPT X FPT
8.705-371.0	3/4" X 3/4" FPT X FPT