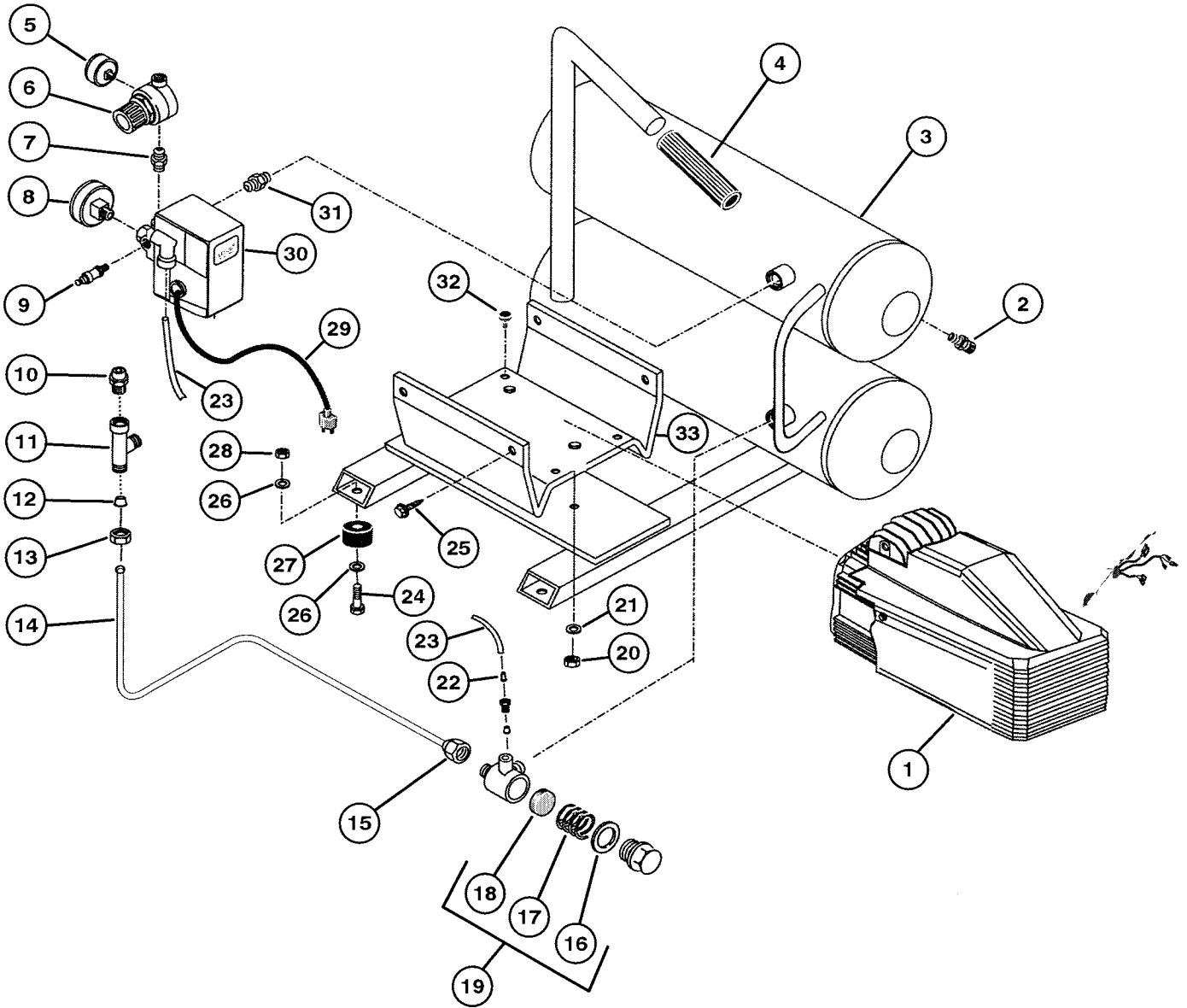




ROLAIR

SCHEMATIC FOR MODEL
FC2002



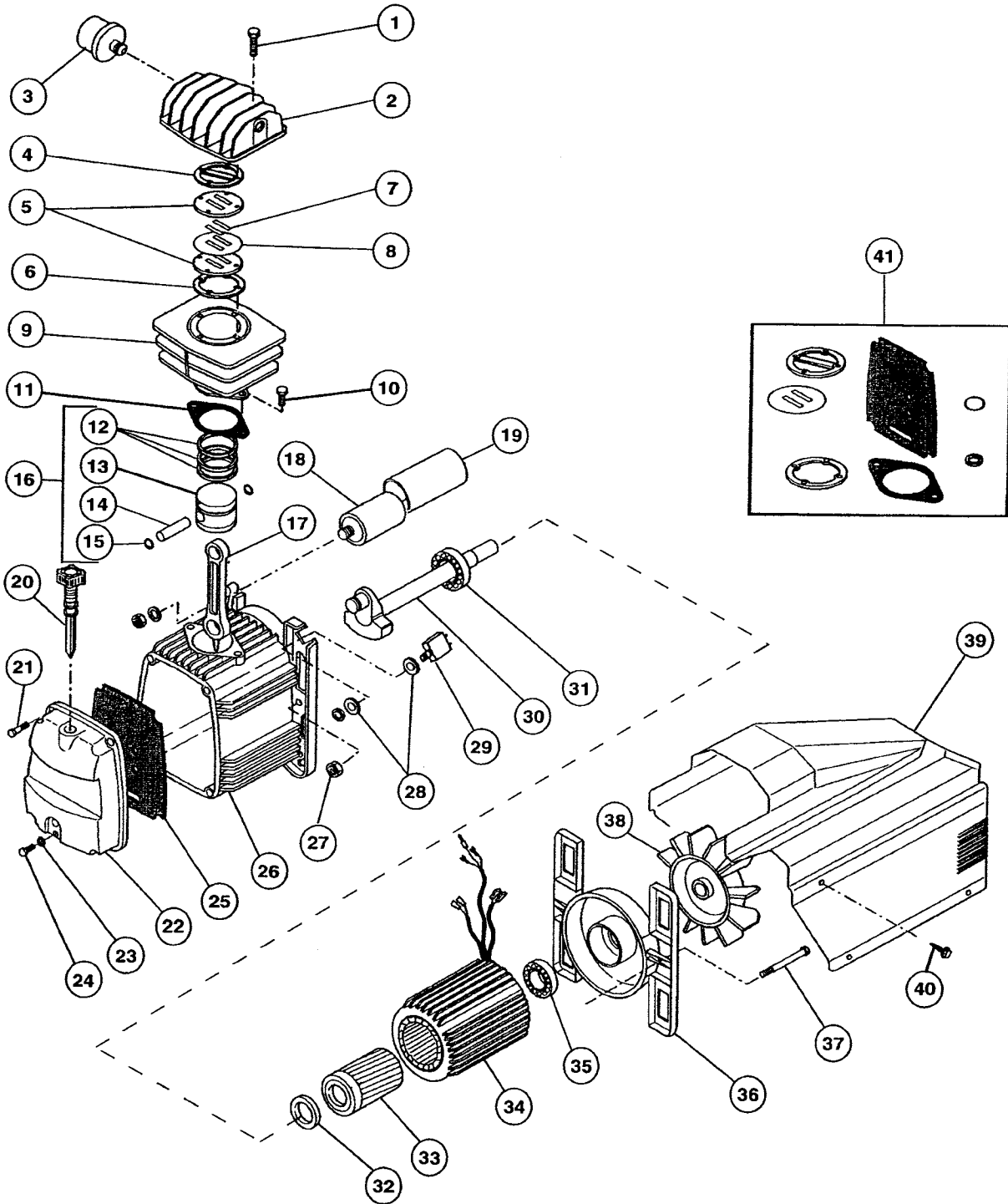


PARTS LIST FOR FC2002

Schematic #	Description	Part #	Qty.
1	2 HP Pump/Motor	PMP11MK246FC	1
2	Drain Valve	FC022029000	2
3	Tank Assembly	FC162QC0010C	1
4	Handle Grip	FC127GH0012	1
5	Gauge – Line	FC330006000	1
6	Regulator	FC319205000	1
7	Nipple	FC011017000	1
8	Gauge – Tank	FC330052000	1
9	Safety Relief Valve	FC047027000	1
10	Bleeder Valve	FC011158000	1
11	Discharge Tee	FC199617000	1
12	Ring	FC011117000	1
13	Lock Nut	FC011117002	1
14	Discharge Tube (includes FC011117000 & FC011117002)	FC2002-DISCH TB	1
15	Lock Nut	FC199437000	1
16	O-Ring	010041000F	1
17	Spring	047113002F	1
18	Disc	047113001F	1
19	Check Valve	FC347043000	1
20	Nut	FC014003002	3
21	Washer	FC014008008	3
22	Brass Sleeve	FC011304000	1
23	Nylon Tubing – 9”	FC046001000	.75
	Ring	011077000F	1
24	Bolt	FC014001041	4
25	Screw	FC014013042	4
26	Washer	FC014005002	8
27	Rubber Foot	FC020004001	4
28	Nut	FC014003001	4
29	Cord w/Plug	FC164A08300	1
30	Pressure Switch	FC321054000	1
31	Nipple	FC011017001	1
32	Vibration Dampener	FC199575000	4
33	Mounting Plate	FC127GH0010	1

ROLAIR

SCHEMATIC FOR PMP11MK246FC





PARTS LIST FOR PMP11MK246FC

Schematic #	Description	Part #	Qty.
1	Bolt	FC014002021	4
2	Head	FC116022002	1
3	Intake Filter Assy. (Mdl's FC2002, FC2002HBP6) (Mdl's D2002HPV5, D2002HSSV5)	FC317007000 317013000F	1 1
4	Gasket	FC116022007	1
5	Valve Plate	FC116022013	2
6	Gasket	FC116022014	1
7	Valve	FC116022038	2
8	Gasket	FC116022012	1
9	Cylinder	FC116093009	1
10	Bolt	FC014011064	2
11	Gasket	FC116091016	1
12	Ring Set	FC216022002	1
13	Piston	FC116022004	1
14	Piston Pin	FC116022040	1
15	Snap Ring	FC015001000	2
16	Piston Assembly	FC416022004	1
17	Connecting Rod	FC116091021	1
18	Capacitor	FC009200075	1
19	Capacitor Cover	FC116034013	1
20	Dipstick	FC312043000	1
21	Screw	FC014013021	4
22	Crankcase Cover	FC116091002	1
23	O-Ring	FC010072000	1
24	Drain Plug	FC014013024	1
25	Diaphragm	FC116091011	1
26	Motor Housing	FC116091001	1
27	Nut	FC014003002	2
28	Washer	FC014005009	2
29	Manual Reset Button	FC008331000	1
30	Crankshaft	FC116022011	1
31	Bearing	FC033027000	1
32	Seal	FC010029000	1
33	Rotor	FC116092003	1
34	Stator	FC416QC4652	1
35	Bearing	FC033005000	1
36	End Bell	FC116011002	1
37	Bolt	FC116011038	2
38	Fan	FC116001003	1
39	Shroud	FC116QC0001	1
40	Screw	FC014006121	2
41	Gasket Set	FC216093003	1