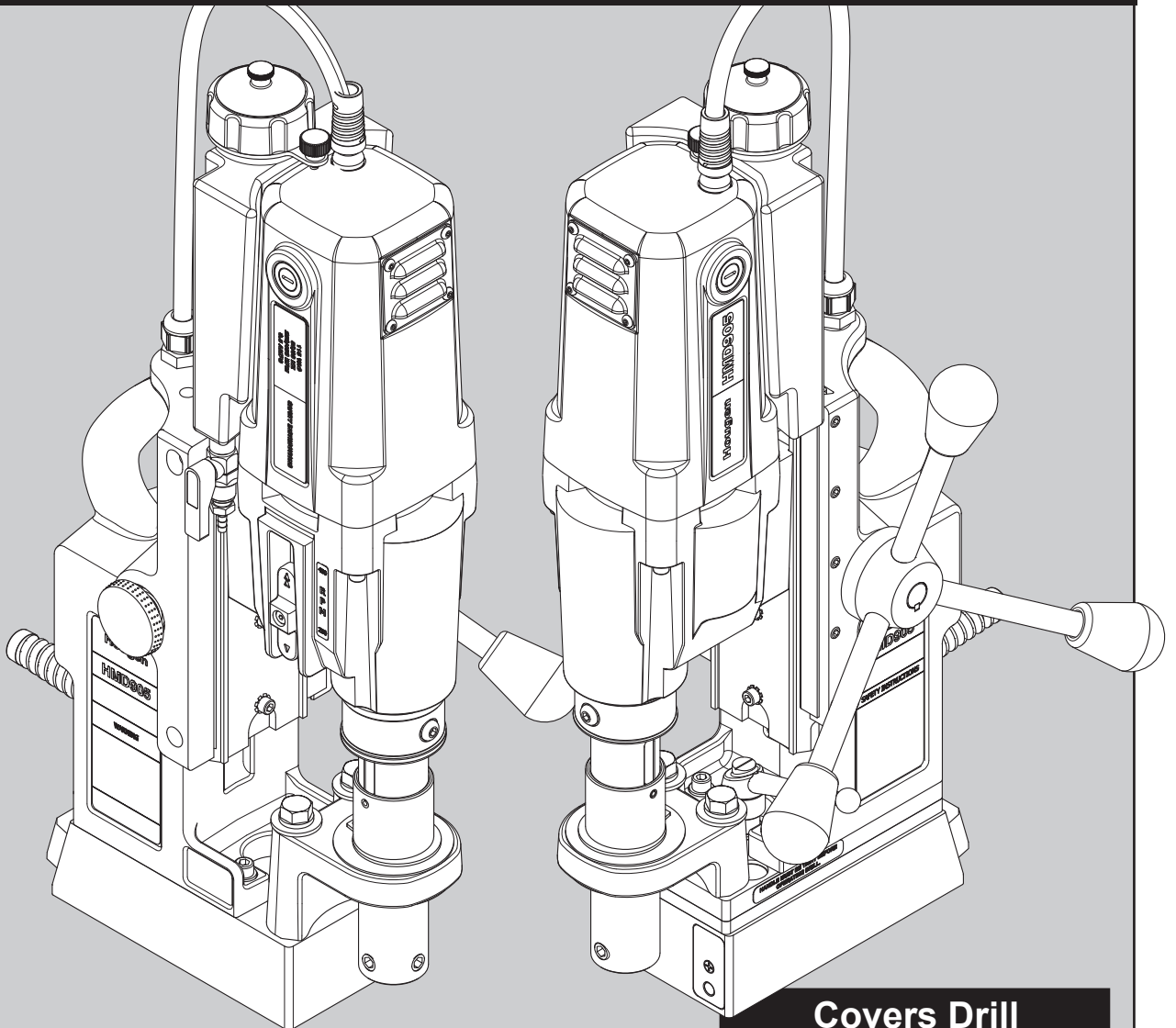




OPERATOR'S MANUAL

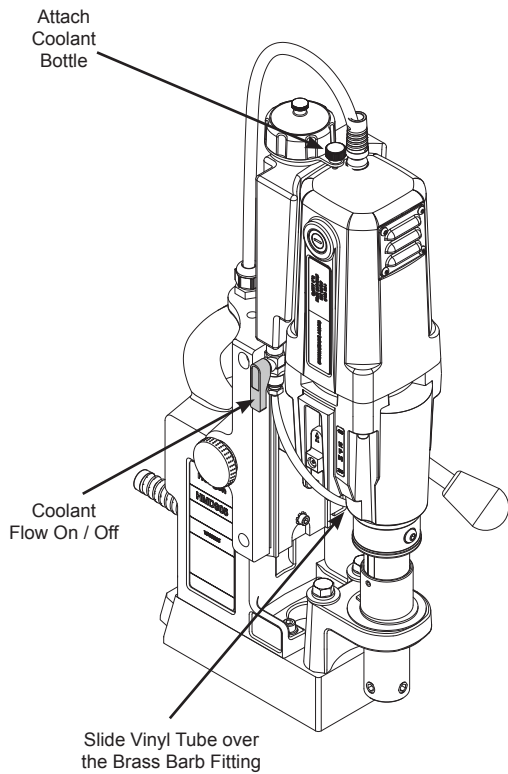
HMD905 SERIES PORTABLE MAGNETIC DRILL



Covers Drill Part Numbers:

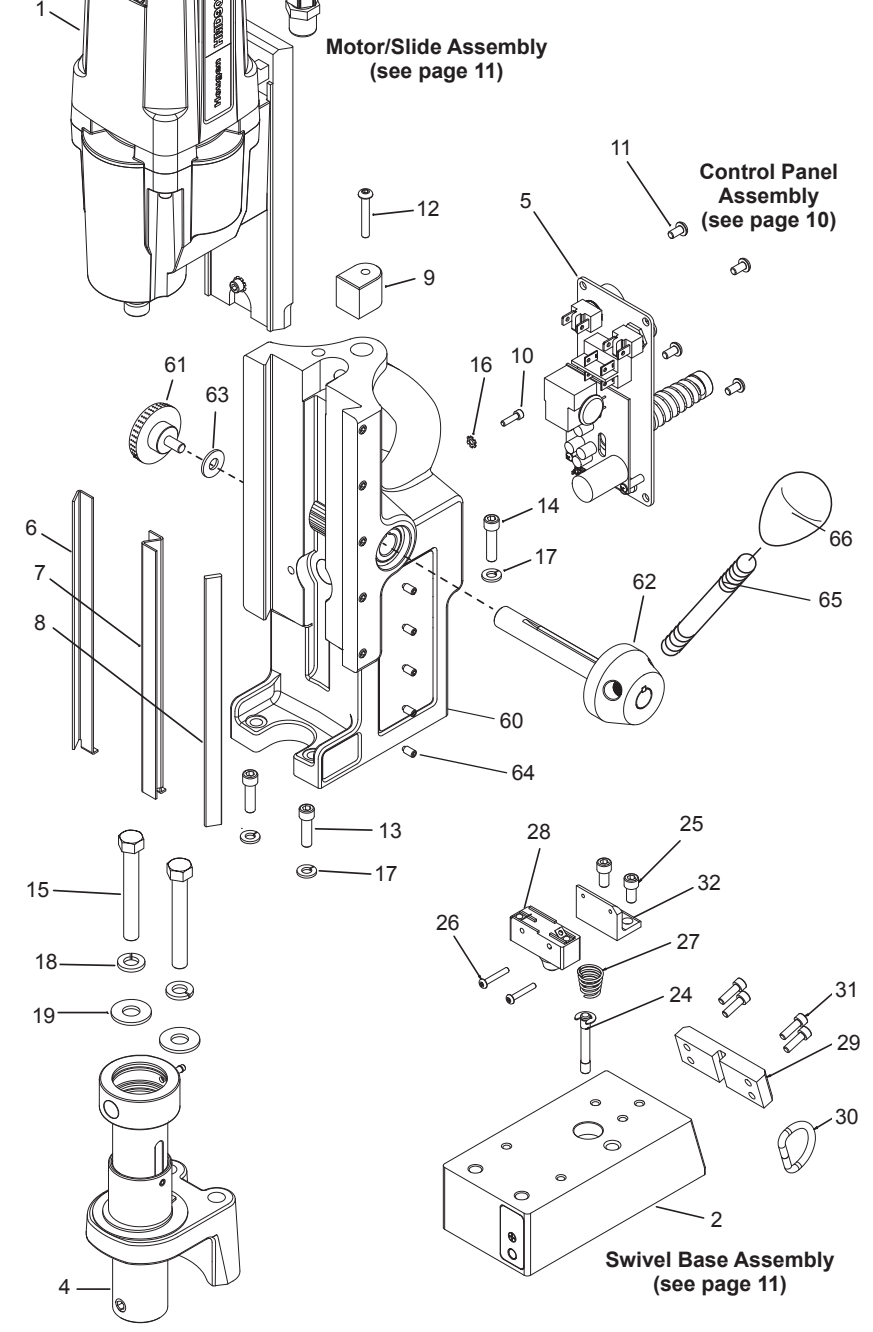
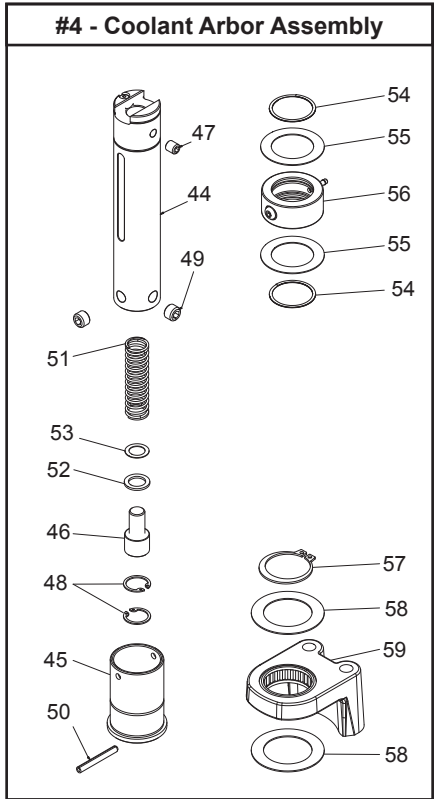
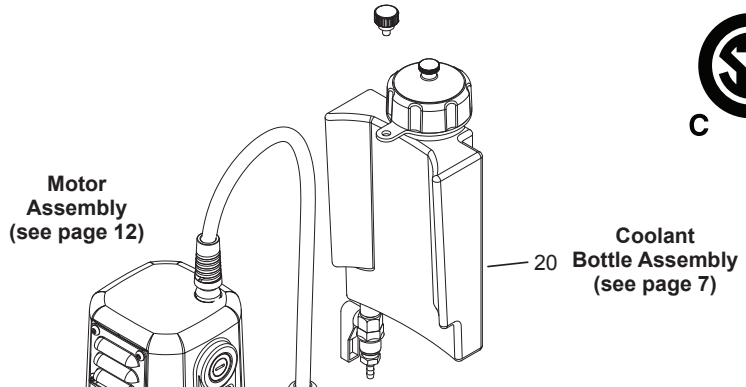
0905102	0905108
0905104	0905109
0905105	0905110

COOLANT BOTTLE ASSEMBLY



07950 Coolant Bottle Assembly	
Part #	Description
08255	Round Bottle
08061	Coolant Bottle Bracket (Bottle to Bracket)
41044	SCR BHC #10-32 x 3/8
05065	Ball Valve
05067	Brass Barb Fitting (bottom of the bottle)
40304	Vinyl Tube
07080	Brass Fitting (vinyl tube to coolant inducer)
24124	Coolant Bottle Cap

HMD905 MAG BASE DRILL



HMD905 Breakdowns

Item	Part #	Description	Qty
1	07948	Motor / Slide Assy.	1
4	07831	Coolant Arbor Assy. Non-Swivel	1
	08115	Coolant Arbor Assy. Swivel	1
5	08251	Control Panel	1
6	02429	Gib, Brass, Right Hand	1
7	02430	Gib, Brass, Left Hand	1
8	02431	Gib Steel	1
9	07833	Stop Block	1
10	17002	SCR SHC #6-32 x 1/2 LG	1
11	41044	SCR BHC #10-32 x 3/8 LG	4
12	10559	SCR BHC #10-32 x 1-1/4 LG	1
13	10553	SCR SHC 1/4-20 x 7/8 LG	2
14	40077	SCR SHC 1/4-20 x 1" LG	1
15	40594	Hex Bolt 3/8-24 x 2-3/4 LG Non-Swivel	2
	07088	Hex Bolt 3/8-24 x 2-3/4 LG Swivel	2
16	90052	Lock Washer Ext. #6	1
17	90028	Lock Washer Helical 1/4	3
18	40391	Lock Washer Helical 3/8	2
19	40392	Washer Flat 3/8 Type A	2
20	07950	Coolant Bottle Assembly	1
Accessories Included			
	10565	Hex Key 1/8 wrench	1
65	10569	Feed Handles	3
66	04532	Feed Handle Knobs	3
	90724	Safety Chain 3/16 x 5' w/Snap Hook	1
	08077	Carrying Case w/Label	1
	24166	7/32" Hex Key for Arbor	1

07882 Magnet Assembly

Item	Part #	Description	Qty
2	07861	Magnet	1
24	04910	Plunger Assembly	1
25	10971	SCR SHC 1/4-20 x 1/2" LG	2
26	10972	SCR BHC #6-32 x 7/8" LG	2
27	17271	Spring - Taper, Comp.	1
28	04885	Microwitch Assy.	1
29	07887	Plate - Ring Retaining	1
30	24144	D-Ring	1
31	41046	SCR SHC #10-32 x 1/2" LG	4
32	04909	Bracket - Safety Switch	1

Swivel Base Assembly (see page 11)

**07941 Arbor & Front Support Bracket
08112 Arbor & Front Support Bracket - Swivel**

Item	Part #	Description	Qty
33	07942	Arbor - Non Coolant	1
34	10517	Ring - Retaining Internal	2
35	07079	Spring Seat	1
36	05049	Spring - Comp	1
37	07162	Collar, Ejector	1
38	40312	Pin-Roll 3/16 dia x 1.564 Altered	1
39	40222	SCR Set 7/16-14 x .305	2
40	40256	SCR Set 5/16-18 x 3/8 Oval Pt	1
41	40398	Ring - Retaining	1
42	40234	Washer, Thrust	2
43	07870	Front Support Bracket Assy. Non-Swivel	1
	08113	Front Support Bracket Assy. Swivel	1

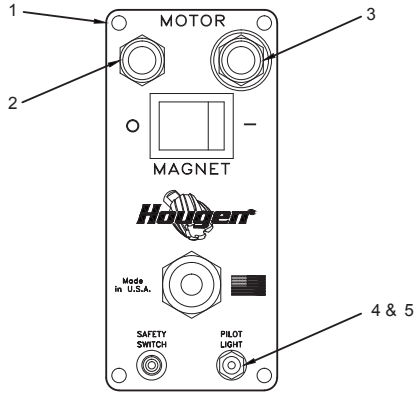
08115 Arbor Assembly

Item	Part #	Description	Qty
44	07872	Arbor Body	1
45	07162	Collar Ejector	1
46	07079	Spring Seat	1
47	40256	SCR Set 5/16-18 x 3/8 Oval Pt	1
48	10517	Ring - Retaining Internal	2
49	40222	SCR Set 7/16-14 x .305	2
50	40312	Pin-Roll 3/16 dia x 1.564 Altered	1
51	05049	Spring - Comp	1
52	07436	Washer - Rubber	1
53	07440	Washer - Shim 12 x 18 x .5mm	1
54	40302	Ring - Retaining	2
55	40301	Washer, Thrust 1-3/8 x 2-1/16 x 1/32	2
56	07445	Coolant Inducer	1
	40300	O-Ring (<i>not shown</i>)	1
	07447	Hose Fitting (<i>not shown</i>)	1
	07082	SCR BHC 1/4-28 x 1/4 (<i>not shown</i>)	1
57	40398	Ring - Retaining	1
58	40234	Washer, Thrust	2
59	08113	Front Support Bracket Assy.	1

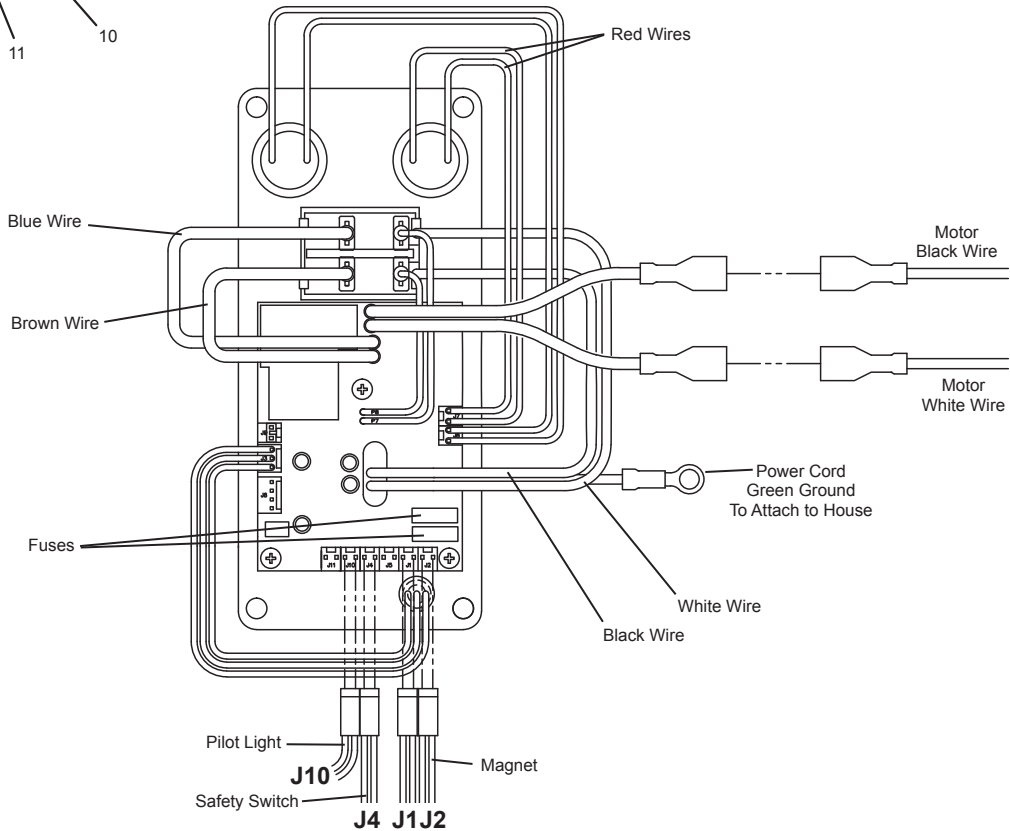
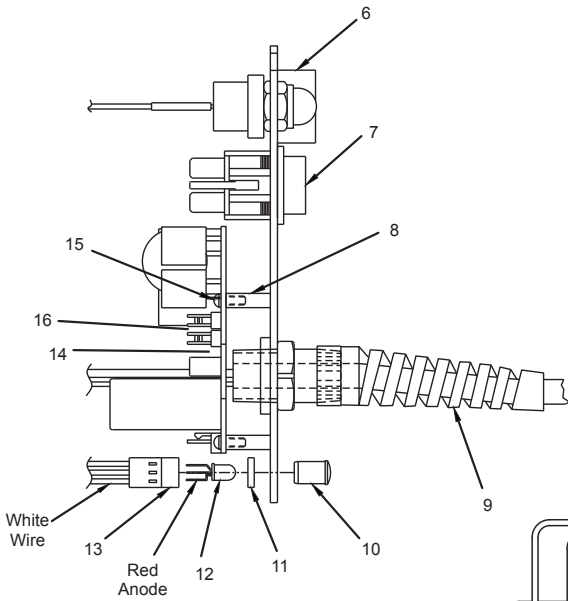
08384 Housing Assembly

Item	Part #	Description	Qty
60	07993	Drill Housing	1
61	05839	Knob - Comfort Rubber Grip	1
62	40254	Hub Assembly	1
63	10679	Washer - Flat 1/4 Type A	1
64	40237	Gib Screws	5

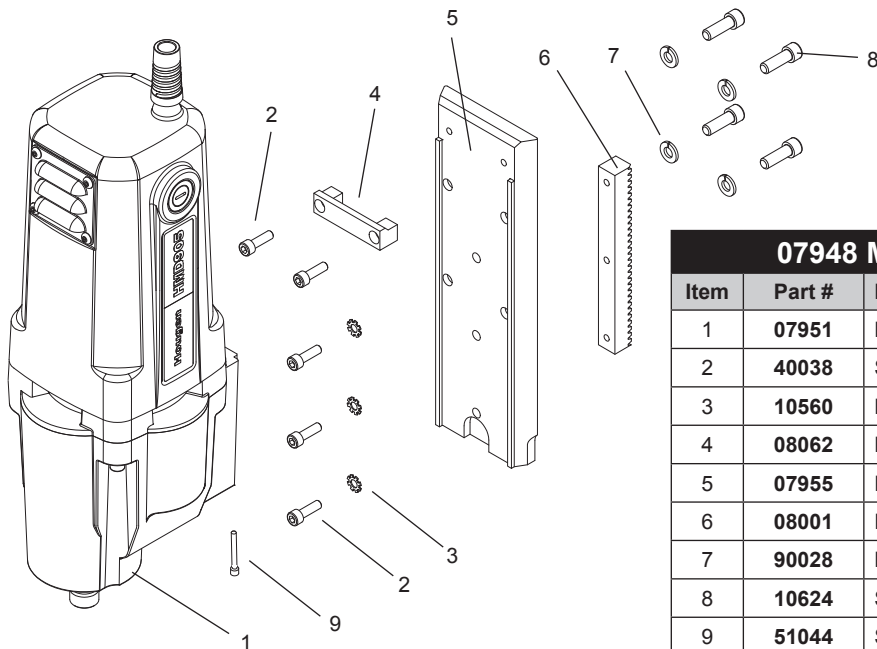
CONTROL PANEL BREAKDOWN & WIRING



07889 Panel Assembly			
Item	Part #	Description	Qty
1	08057	Faceplate	1
2	01335	Switch - Motor Off	1
3	01334	Switch - Motor On	1
4	05335	Mini Toggle Switch Assy.	1
5	05336	Mini Toggle Switch Boot	1
6	01226	Guard Switch	1
7	04614	Magnet Switch	1
8	02548	Stand Off	3
9	24073	Power Cord Assembly	1
10	04879	Lens Clear L.E.D.	1
11	04878	Spacer L.E.D.	1
12	04881	Bulb L.E.D.	1
13	04877	Wire Harness L.E.D.	1
14	08646	Circuit Board	1
15	02547	SCR #4-40 x 5/16 LG	3
16	07522	Fuse	2

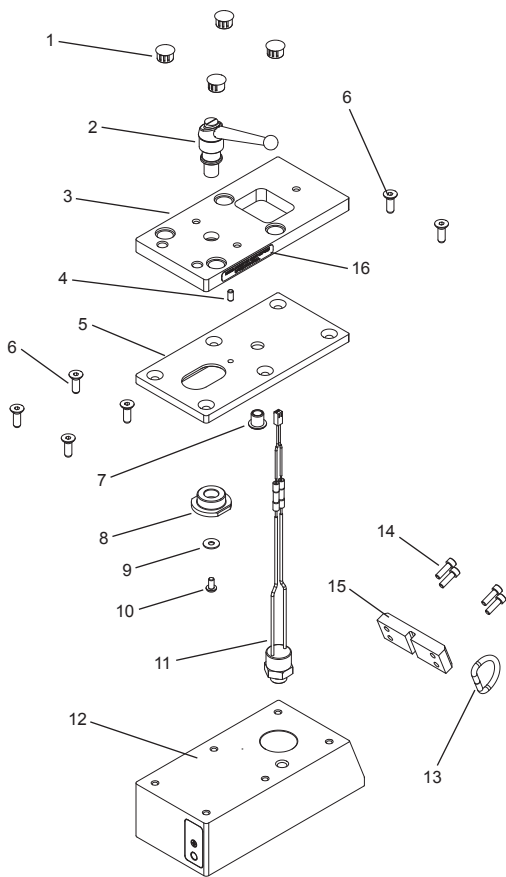


MOTOR SLIDE ASSEMBLY BREAKDOWN



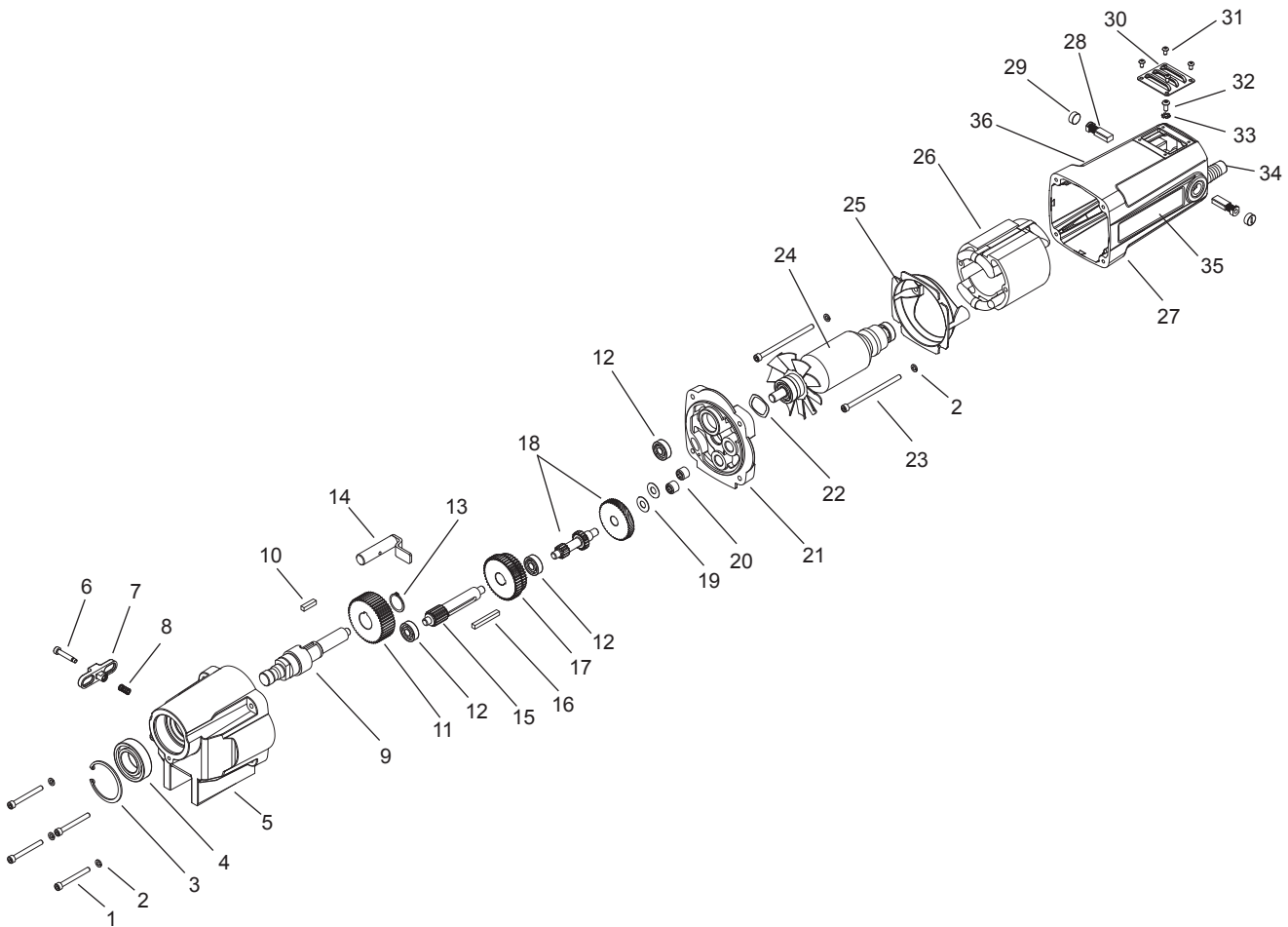
07948 Motor & Slide Assembly			
Item	Part #	Description	Qty
1	07951	Motor Complete Assembly 115V	1
2	40038	SCR BHC #10-32 x 5/8 LG	5
3	10560	Lock Washer Ext. #10	3
4	08062	Bottle Support	1
5	07955	Dovetail Slide	1
6	08001	Rack Gear	1
7	90028	Lock Washer - Helical 1/4	4
8	10624	SCR SHC 1/4-20 x 3/4	4
9	51044	SCR SHC #1-32 x 1-1/4	1

SWIVEL BASE MAGNET ASSEMBLY BREAKDOWN



08100 Swivel Magnet Assembly			
Item	Part #	Description	Qty
1	07216	Plug Hole	4
2	05659	Clamp Handle Assembly	1
3	08094	Swivel Plate	1
4	02898	Dowel Pin	1
5	08095	Slide Plate	1
6	05743	SCR FHC 1/4-20 x 3/4 LG	6
7	07215	Bushing - Flange	1
8	05658	Pivot - Rod	1
9	90237	Washer - Flat #10	1
10	41044	SCR BHC #10-32 x 3/8 LG	1
11	05652	Safety Switch Assy	1
12	08101	Magnet & Safety Switch Assy	1
	05653	Plunger (not shown)	1
13	24144	D - Ring	1
14	41046	SCR SHC #10-32 x 1/2" LG	4
15	07887	Plate - Retaining Ring	1
16	07230	Label - Swivel Warning	1

MOTOR PARTS DIAGRAM



07952 Motor Assembly

Item	Part #	Description	Qty	Item	Part #	Description	Qty
1	08234	SCR SHC #10-32 X 1-5/8 LG	4	21	07969	Gear Box Cover	1
2	50038	Washer - Lock Helical #10	6	22	08070	Washer - Spring	1
3	07860	Retaining Ring	1	23	08025	SCR - SHC #10-32 x 3-1/4 LG	2
4	40274	Bearing 25mm x 47mm x 12mm	1	24	07956	Armature Assembly	1
5	07966	Gear Box Housing	1	25	07958	Baffle	1
6	08069	SCR - Shsld 3/16 x 7/8	1	26	07957	Field	1
7	07908	Switch	1	27	07953	Motor/Brush Holder Assembly	1
8	07910	Spring - Comp	1	28	07961	Carbon Brushes	2
9	07976	Spindle - Motor Drive	1	29	07960	Brush Holder Cap	2
10	07904	Key - 3/16 x 3/16 x 3/4	1	30	07848	Cover - Brush Access	1
11	07975	Gear Spur Removable - 49 Tooth	1	31	02385	SCR BHC #6-32 x 1/4	4
12	24100	Ball Bearing	3	32	41042	SCR BHC #8-32 x 3/8 LG	1
13	24160	Retaining Ring	1	33	10538	Washer - Lock #8	1
14	07977	Shift Control Rod Arm	1	34	08336	Motor Cord	1
15	07974	Gear Spur Removable - 15 Tooth	1	35	07936	Motor Label	1
16	07978	Key - 3/16 x 3/16 x 1-1/2	1	36	07937	Motor Specs Label	1
17	07973	Assembly - Change Gear 250/450	1				
18	07972	Assembly - Gears #2 & #3	1				
19	17610	Washer - Flat 8mm	2				
20	07903	Needle Bearing	2				