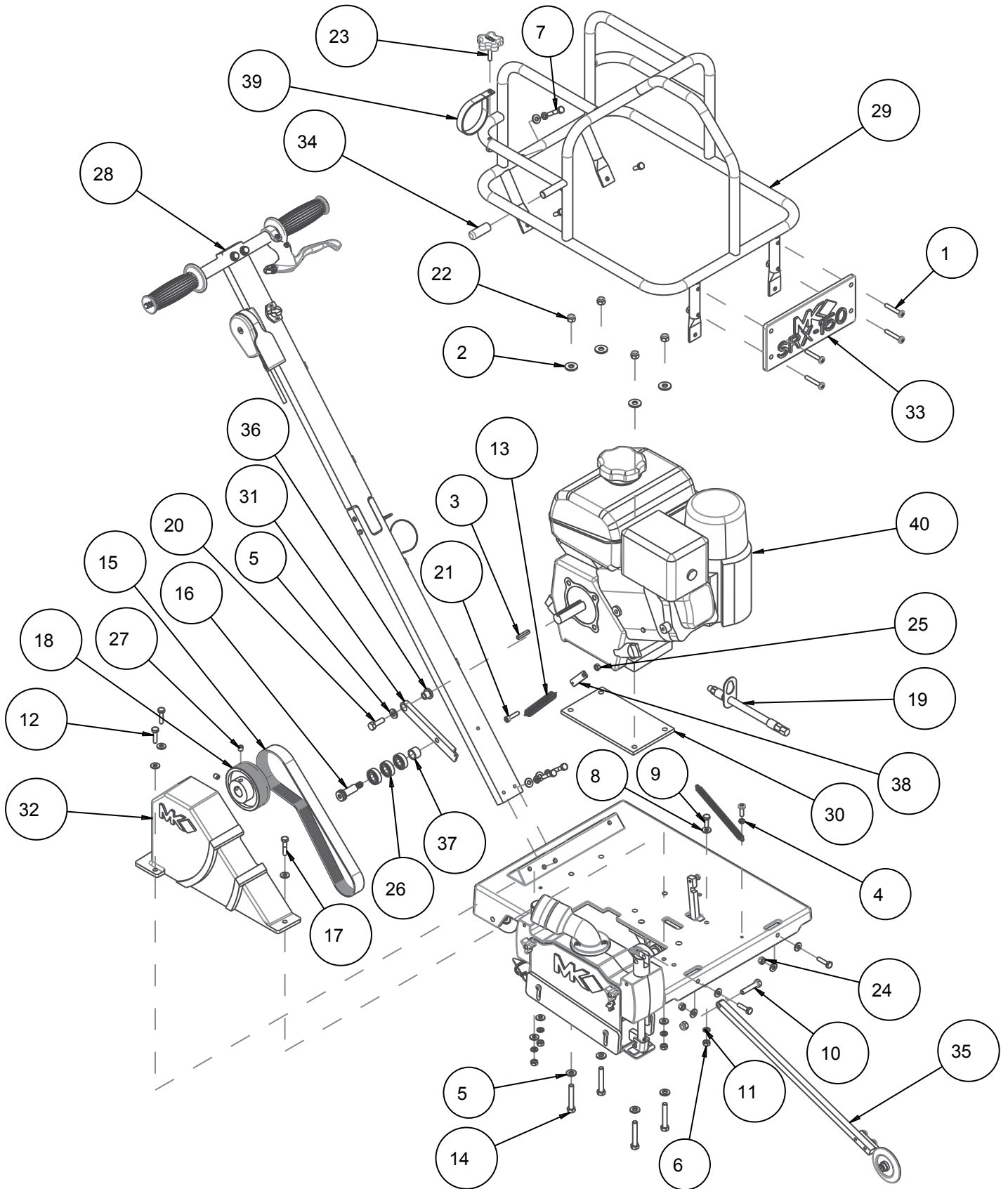


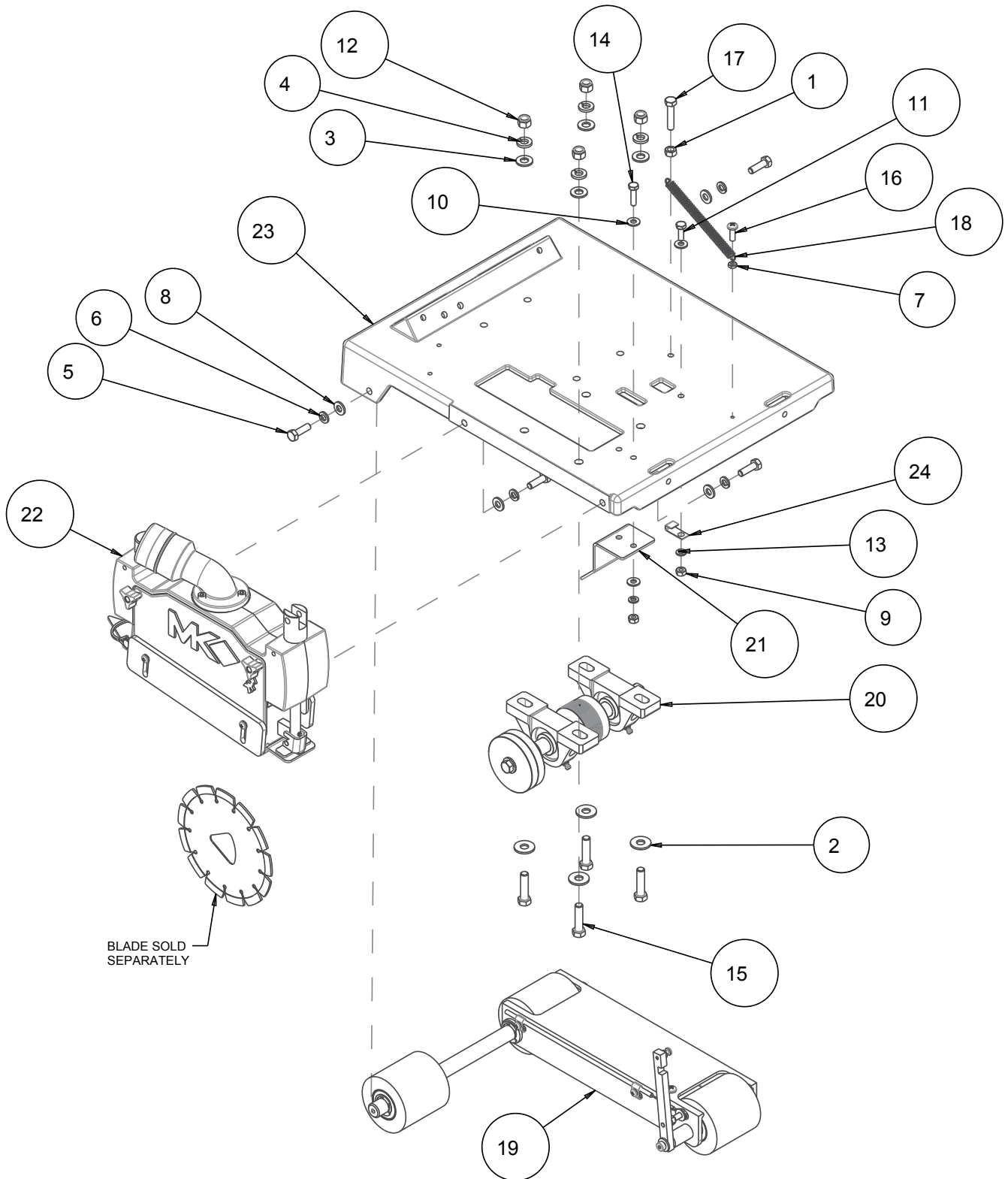
SRX-150, GX160 HONDA P/N 172023-K



SRX-150, GX160 HONDA P/N 172023-K

ITEM NO.	DESCRIPTION	PART #	QTY.
1	SCREW, RND HD, 1/4-20 X 1-1/2	100792	4
2	WASHER, 5/16 FLAT CUT	101352	4
3	KEY, 3/16 SQ X 1-1/8	150344	1
4	NUT, HEX, 10-24	151749	1
5	WASHER, FLAT, SAE, 5/16	151754	5
6	NUT, HEX, 1/4-20	151893	4
7	SCREW, HEX HEAD 1/4-20 X 1-1/2"	151914	1
8	WASHER, FLAT, SAE, 1/4	151915	14
9	SCREW, HEX HD, 1/4-20X3/4	152370	3
10	SCREW, 5/16-18 X 1-1/2 HEX HEAD MACHINE	152467	1
11	WASHER, LOCK, SPLIT, 1/4	152591	7
12	SCREW, HEX HD, TAP, 1/4-20 X 1	152676	4
13	SPRING, EXTENSION, 9/16OD X 2.5L X .072WIRE	153807	1
14	SCREW, 5/16-18 X 2 HEX HEAD	155494	4
15	BELT, 10J280	156111	1
16	SCREW, SHOULDER, 1/2X1-1/4	156176	1
17	SCREW, HEX HD, 1/4-20 X 1-1/4	157145	3
18	PULLEY, 10J28 X 5/8 BORE	157466	1
19	HOSE, OIL DRAIN, M10	157577-01	1
20	SCREW, HEX HD, TAP, 5/16-24 X 1	157646	1
21	SCREW, SOC HD, CAP, M6X25MM	158268	1
22	NUT, HEX, NYLK, 5/16-18	158289	5
23	KNOB, RUBBER, 1/4-20 X 1-1/4" LONG	159428-2	1
24	NUT, HEX, NYLK, 1/4-20	159857	4
25	NUT, HEX, M6 X 1.0	160209	1
26	BEARING, .500 X 1.125 X .3125 BALL	160477	3
27	SCREW, 5/16-18 X 3/8 SOCKET HEAD SET	165777	2
28	ASSY, HANDLEBAR (Page 38)	172069	1
29	CAGE, ENGINE	172074	1
30	PAD, VIBRATION	172075	1
31	ARM, IDLER	172077	1
32	GUARD, BELT, COMP	172079	1
33	NAMEPLATE, COMP	172099	1
34	BUMPER, POINTER, ARM	172128	1
35	ASSY, POINTER, ARM (Page 41)	172129	1
36	BUSHING, FLANGE, 5/16 X 1/2 X 1/2	172146	1
37	SPACER, 3/4OD X 7/16ID X 1/2H	172147	1
38	LINK, IDLER	172149	1
39	CLAMP, CUSHION LOOP, 2-1/2	172187	1
40	ENGINE, KOHLER, CH255, 5.5HP	172230	1

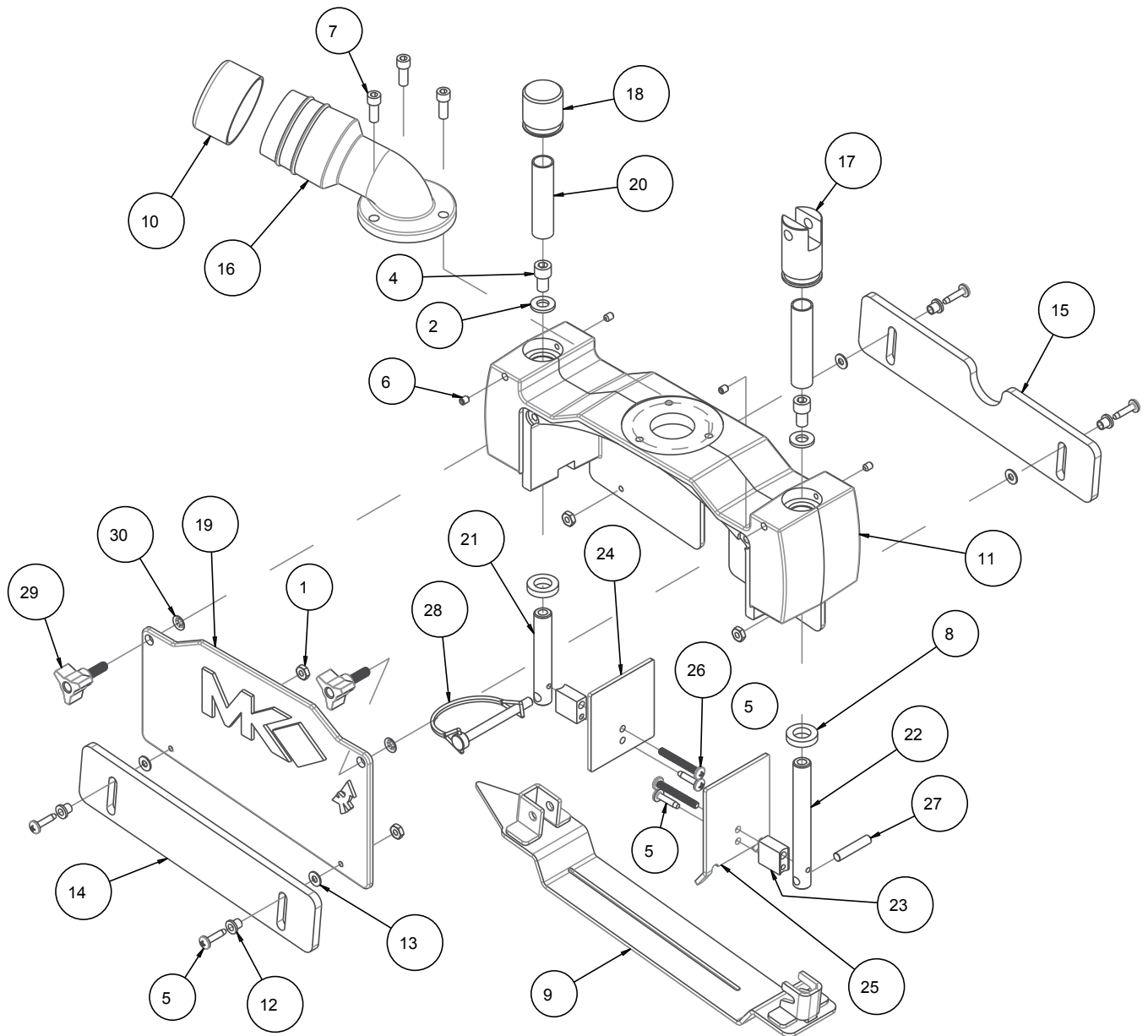
SRX-150, GX160 HONDA P/N 172023-H & SRX-150 CH255 KOHLER P/N 172023-K



SRX-150, GX160 HONDA P/N 172023-H & SRX-150 CH255 KOHLER P/N 172023-K

ITEM NO.	DESCRIPTION	PART #	QTY.
1	NUT, HEX, 5/16-18	101196	1
2	WASHER, FLAT, USS, 3/8	101360	4
3	WASHER, FLAT, SAE, 3/8	150923	4
4	WASHER, LOCK, SPLIT, 3/8	150925	4
5	SCREW, HEX HD, 5/16-18 X 1	151743	4
6	WASHER, LOCK, SPLIT, 5/16	151747	4
7	NUT, HEX, 10-24	151749	1
8	WASHER, FLAT, SAE, 5/16	151754	4
9	NUT, HEX, 1/4-20	151893	2
10	WASHER, FLAT, SAE, 1/4	151915	3
11	SCREW, HEX HD, 1/4-20X 3/4	152370	1
12	NUT, HEX, NYLK, 3/8-16	152505	4
13	WASHER, LOCK, SPLIT, 1/4	152591	2
14	SCREW, HEX HD, TAP, 1/4-20X1	152676	1
15	SCREW, 3/8-16 X 1-1/2 HEX HEAD	153528	4
16	SCREW, PAN HD, 1/4-20 X 3/4	157523	1
17	BOLT, 5/16-18 X 1-1/2 HEX HEAD TAP	162819	1
18	SPRING, EXT, 7/16OD X .048WD X 3.0L	167270	1
19	ASSY, TRUCK (<i>Page 36</i>)	172060	1
20	ASSY, BLADE SHAFT (<i>Page 40</i>)	172066	1
21	PLATE, PROTECTOR, BLADE SHAFT	172076	1
22	ASSY, BLADE GUARD (<i>Pages 34-35</i>)	172080	1
23	FRAME, COMP	172086	1
24	BRACKET, PROTECTOR, FRAME	172166	1

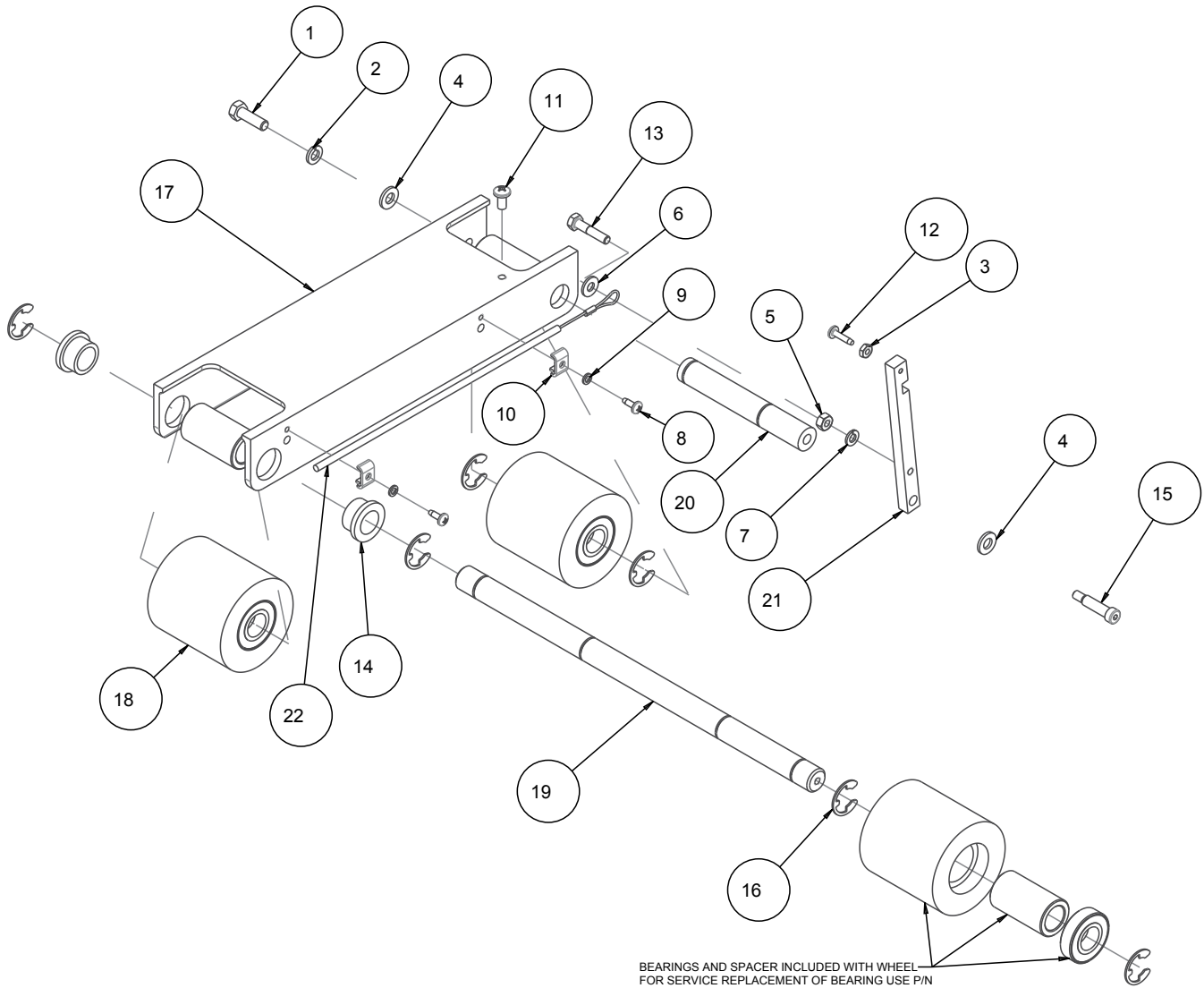
SRX-150, ASSY. BLADE GUARD P/N 172080



SRX-150, ASSY. BLADE GUARD P/N 172080

ITEM NO.	DESCRIPTION	PART #	QTY.
1	NUT, HEX, 10-24	151749	4
2	WASHER, FLAT, SAE, 5/16	151754	2
3	LABEL, CAUTION, GUARDS IN PLACE	155587	1
4	SCREW, SOC HD, CAP, 5/16 -18 X 1/2	156139	2
5	SCREW, PAN HD PHIL MS 10-24 X 3/4	156641	6
6	SCREW, SOCKET HEAD SET 10-24 X 1/4	157522	4
7	SCREW, 1/4-20 X 5/8 SOCKET HEAD CAP	161269	3
8	SEAL, OIL, 1/2 X 7/8 X 3/16	161270	2
9	PLATE, SKID, 6-8" BLADE SS	171286	1
10	CAP, 2' TUBING, VINYL	171362	1
11	GUARD, BLADE COMP	172088	1
12	WASHER, FLANGE, PLAS, #10	172093	4
13	WASHER, FLAT, PLAS, #10	172094	4
14	GUARD, LOWER SLIDING, FRONT	172096-1	1
15	GUARD, LOWER, SLIDING, BACK	172096-2	1
16	FITTING, VACUUM, COMP	172101	1
17	CAP, FRONT PLUNGER	172132	1
18	CAP, REAR PLUNGER	172133	1
19	COVER, BLADE GUARD, COMP	172134	1
20	SPRING, COMPRESSION, 0/6OD X 3.5L	172136	2
21	ROD, PLUNGER, REAR	172138	1
22	ROD, PLUNGER, FRONT	172139	1
23	SPACER, PLUNGER	172140	2
24	PLATE, REAR PLUNGER	172141	1
25	PLATE, FRONT PLUNGER	172142	1
26	SCREW, FLAT HD, #10-24 X 1-1/2	172143	2
27	PIN, DOWEL, STEEL	172144	1
28	PIN, WIRE LOCK, 1/4 X 1-3/8	172145	1
29	KNOB, 3 PRONG, 1/4-20 X 3/4	172183	2
30	NUT, PUSH, 3/16 SHAFT	172369	2

SRX-150, ASSY. TRUCK P/N 172060

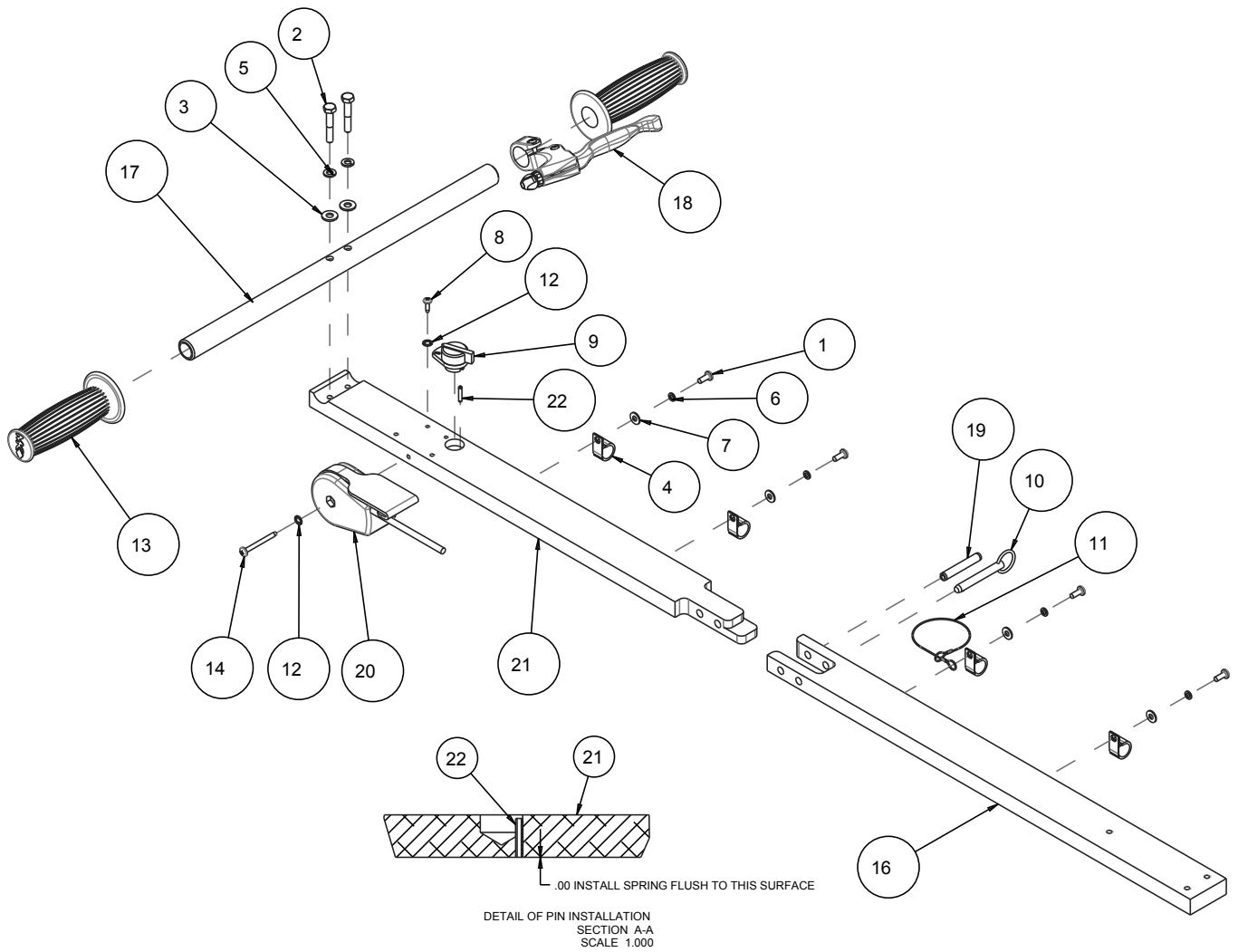


BEARINGS AND SPACER INCLUDED WITH WHEEL
FOR SERVICE REPLACEMENT OF BEARING USE P/N
172126 BEARING, BALL, 3/4 X 1-5/8 X 7/16, 2RS

SRX-150, ASSY. TRUCK P/N 172060

ITEM NO.	DESCRIPTION	PART #	QTY.
1	SCREW, HEX HD, 5/16 - 18 X 1	151743	1
2	WASHER, LOCK, SPLIT, 5/16	151747	1
3	NUT, HEX, 10-24	151749	1
4	WASHER, FLAT, SAE, 5/16	151754	2
5	NUT, HEX, 1/4 -20	151893	1
6	WASHER, LOCK, SAE, 1/4	151915	1
7	WASHER, LOCK, SPLIT, 1/4	152591	1
8	SCREW, PHILP SELF TAP 10-24 X 5/8"	153681	2
9	WASHER, #10 SPLIT LOCK	153684	2
10	CLAMP, CABLE	154383	2
11	SCREW, PAN HD, CAP, 1/4-20 X 1/2	155452	1
12	SCREW, PAN HD PHIL MS 10-24 X 3/4	156641	1
13	SCREW, HEX HD, 1/4-20 X 1-1/4	157145	1
14	BUSHING, FLANGE, PLAS, 3/4 X 1 X 5/8	159207	2
15	SCREW, SHOULDER, 5/16 X 1	160045	1
16	RING, .75 E-STYLE RETAINING	161163	6
17	TRUCK	172061	1
18	WHEEL, 3X3, URETHANE	172062	3
19	AXLE, REAR, 3/4"	172063	1
20	AXLE, FRONT, 3/4"	172064	1
21	LEVER, RAISE LOCK	172065	1
22	CABLE, LOCK RELEASE, COMP	172167	1

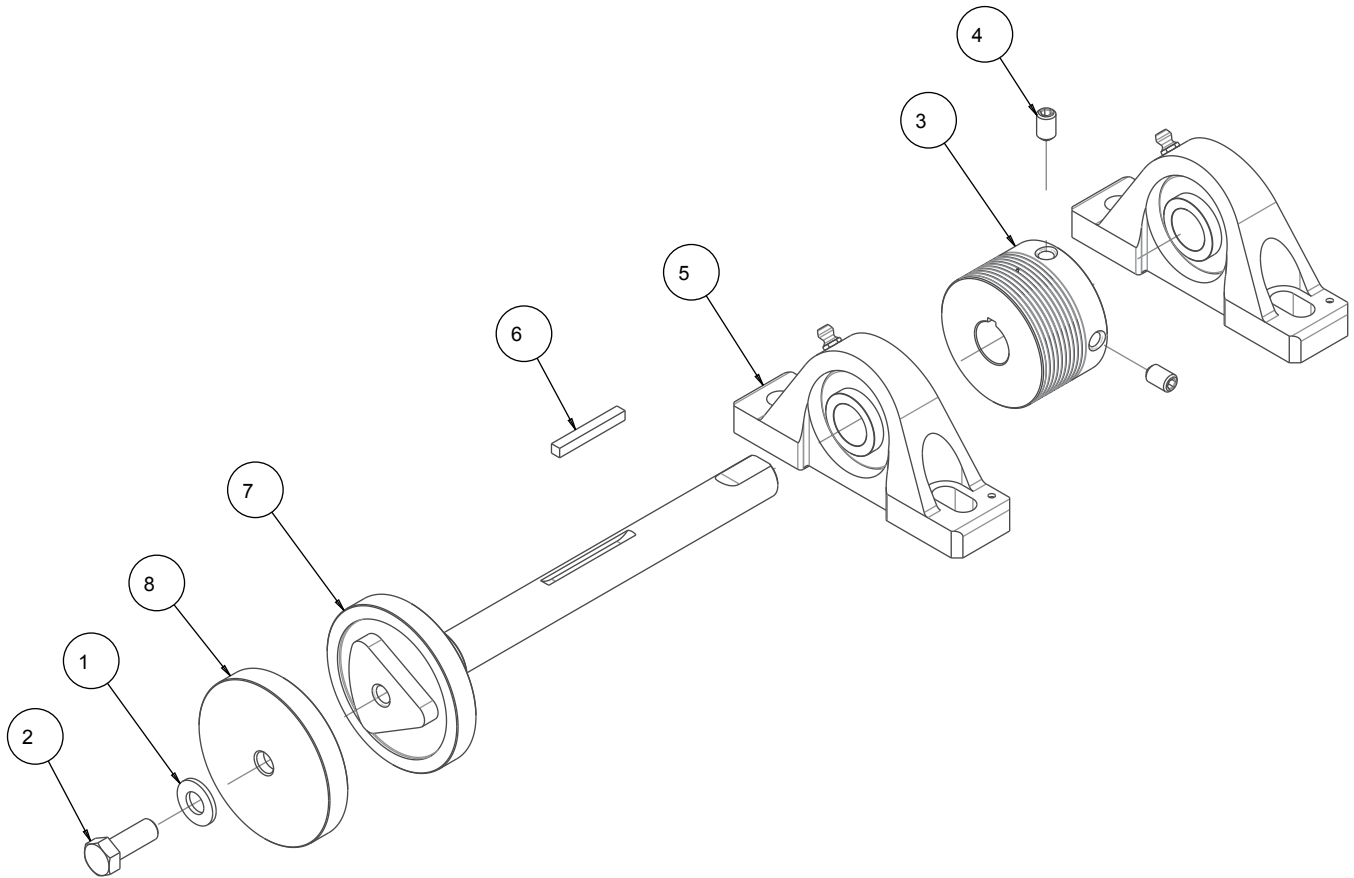
SRX-150, ASSY. HANDLEBAR P/N 172069



SRX-150, ASSY. HANDLEBAR P/N 172069

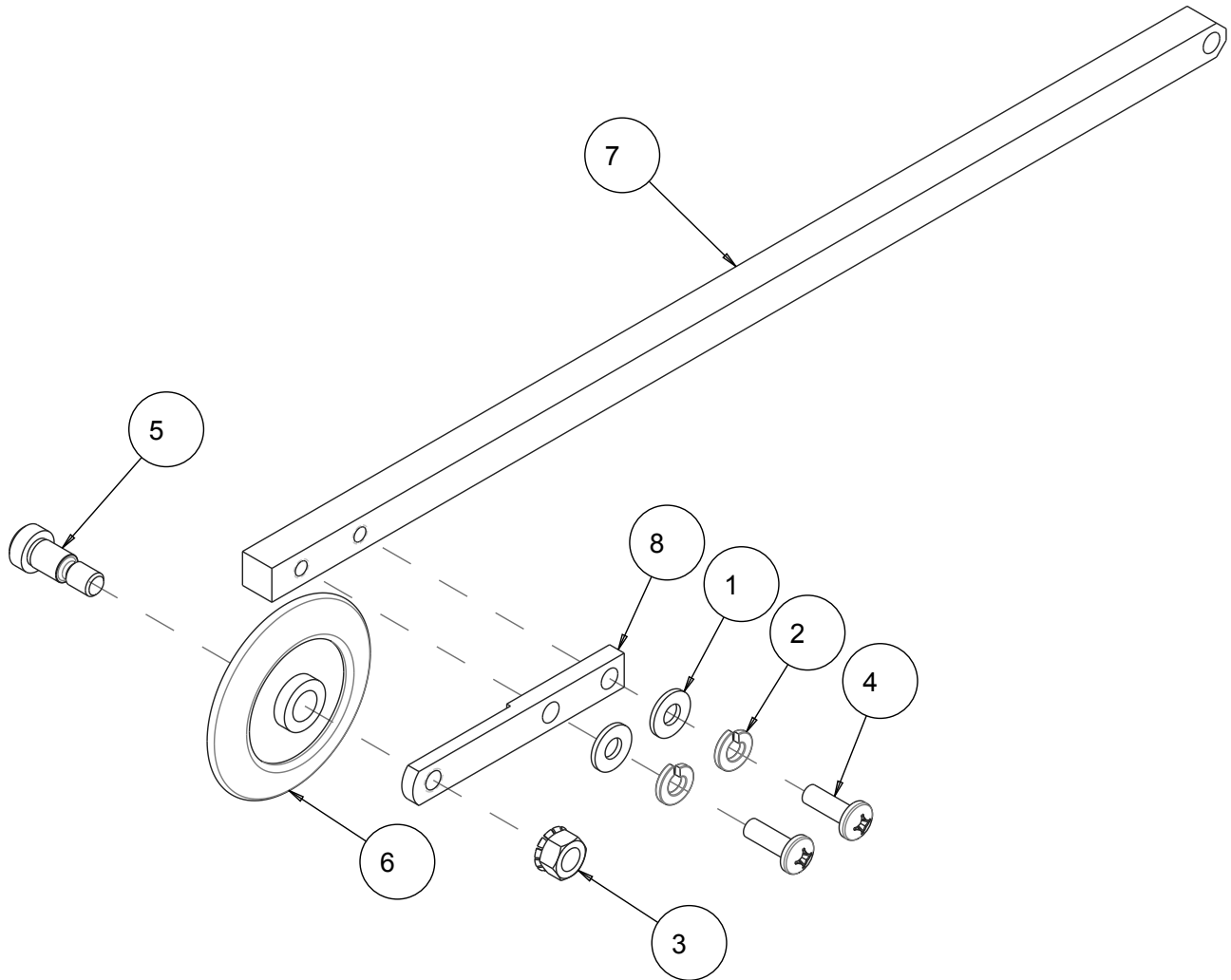
ITEM NO.	DESCRIPTION	PART #	QTY.
1	SCREW, PAN HD, #10 - 24 X 1/2	151744	4
2	SCREW, HEX HEAD, 1/4 - 20 X 1-1/2"	151914	2
3	WASHER, LOCK, SPLIT, 1/4	151915	2
4	CLAMP, CUSHION LOOP 1/2	152471	4
5	WASHER, LOCK, SPLIT, 1/4	152591	2
6	WASHER, #10 SPLIT LOCK	153684	4
7	WASHER, FLAT, SAE, #10	154369	4
8	SCREW, PAN HD SELF TAP 8-32 X 1/2	156632	1
9	SWITCH, ENGINE ON/OFF, HONDA	157851	1
10	PIN, DETENT, W/RING PULL	157933	1
11	LANYARD, 3/64 X 8" GALVNZD STEEL	158072	1
12	WASHER, LOCK, IT,#10	158336	2
13	GRIP, HANDLE 7/8 ID	158608	2
14	SCREW, PAN, PHIL, 10-24 X 1-3/4	167274	1
15	WIRE HARNESS, CX3, SUBARU	170555	1
16	HANDLEBAR, SECTION, LOWER	172071	1
17	HANDLEBAR, CROSSMEMBER	172072	1
18	LEVER, LOCK RELEASE	172073	1
19	PIN, SPRING, 5/16 X 2	172137	1
20	THROTTLE, POS-ACTION, 12-1344	172221	1
21	HANDLEBAR, SECTION, UPPER	172222	1
22	PIN, 1/8 X 11/16 SPRING	172782	1

SRX-150, ASSY. BLADE SHAFT P/N 172066










ITEM NO.	DESCRIPTION	PART #	QTY.
1	WASHER, FLAT, SAE, 3/8	150923	1
2	SCREW, HEX HD CAP, 3/8-16 X 1	152507	1
3	PULLEY, 10J23 X 3/4 BORE	156292	1
4	SCREW, 5/16 -18 X 3/8 SOCKET HEAD SET	157084	2
5	BEARING, PILLOW BLK 3/4"	161378	2
6	KEY, 3/16 SQR X 1-1/2	165347	1
7	SHAFT, BLADE, SR-150	172067	1
8	FLANGE, OUTER, 3"	172068	1

SRX-150, ASSY. POINTER BAR P/N 172129



ITEM NO.	DESCRIPTION	PART #	QTY.
1	WASHER, FLAT, SAE, 1/4	151915	2
2	WASHER, LOCK, SPLIT, 1/4	152591	2
3	NUT, HEX, TW, 5/16-18	153942	1
4	SCREW, PAN HD, 1/4-20 X 3/4	157523	2
5	SCREW, SHOULDER 3/8 X 1/2	160078	1
6	WHEEL, POINTER, 2.75 X .5 X .40	165234	1
7	BAR, GUIDE	172130	1
8	POINTER, ADAPTER BAR	172131	1

ITEM NO.	DESCRIPTION		PART #
1	<p align="center">GC-10 <i>Soft Bond</i> Ultra Hard Aggregate</p>		<p align="center">6-3/8" x .100" 171934</p>
2	<p align="center">GC-20 <i>Medium Soft Bond</i> Hard Aggregate</p>		<p align="center">6-3/8" x .100" 171938t</p>
			<p align="center">6-3/8" x .225" 171939</p>
3	<p align="center">GC-30 <i>Medium Bond</i> Medium/Hard Aggregate</p>		<p align="center">6-3/8" x .100" 171282</p>
			<p align="center">6-3/8" x .225" 171950</p>
4	<p align="center">GC-35 <i>Medium Hard Bond</i> Medium Aggregate</p>		<p align="center">6-3/8" x .100" 171959</p>
			<p align="center">6-3/8" x .225" 171960</p>
5	<p align="center">GC-55 <i>Hard Bond</i> Medium/Soft Aggregate</p>		<p align="center">6-3/8" x .100" 171969</p>
6	<p align="center">Steel Skid Plate</p>		<p align="center">171283</p>
7	<p align="center">Stainless Steel Skid Plate</p>		<p align="center">171286</p>