

Figure 11 - Machine Assembly, Left View

Ref. No.	Part No.	Description	Qty.
1	375288	Chassis	1
2	646089	Decal Warnings	1
3	444469	Decal Shark Detergent	1
4	Fig. 16	Coil Inlet Assembly	1
5	829980	Shark Logo Plate	2
6	926598	Rivet	8
7	213044	Burner Exhaust Vent	1
8	873779	Insulation	1
9	860102	Retaining Ring	1
10	824115	Lid Clip	4
11	Fig. 15	Coil Outlet Assembly	1
12	823987	Hose Clamp	1
13	961532	Tubing 7/16"	*
14	Fig. 14	Control Box Assembly	1
15	Fig. 17	Pump Assembly	1

Ref. No.	Part No.	Description	Qty.
16	■ ●	Bolt 3/8" - 16 x 1"	4
17	■	Lock Washer 3/8"	4
18	826167	Strain Relief	2
19	703127	Strain Relief Nut	2
20	Fig. 19	Fuel Tank Assembly	1
21	■	Bolt 1/4" - 20 x 1/2"	2
22	■	Flat Washer 1/4"	6
23	■	Locknut 1/4" - 20	4
24	375292	Mounting Plate	1
25	220119	Battery Box	1
26	890904	Battery Terminal	2

* Order amount needed in feet.
 ■ Standard hardware item available locally.
 ● Use thread locking compound.

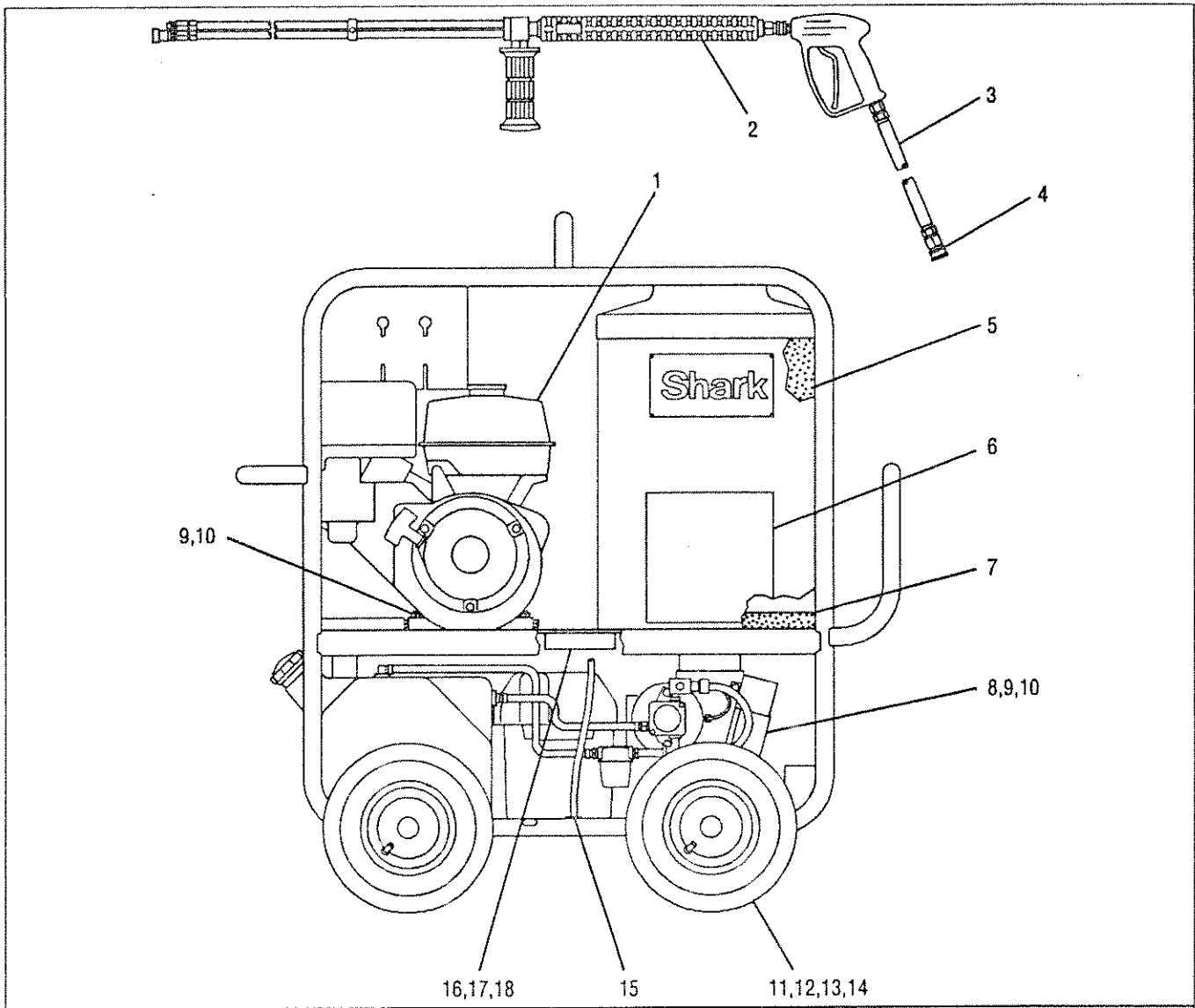
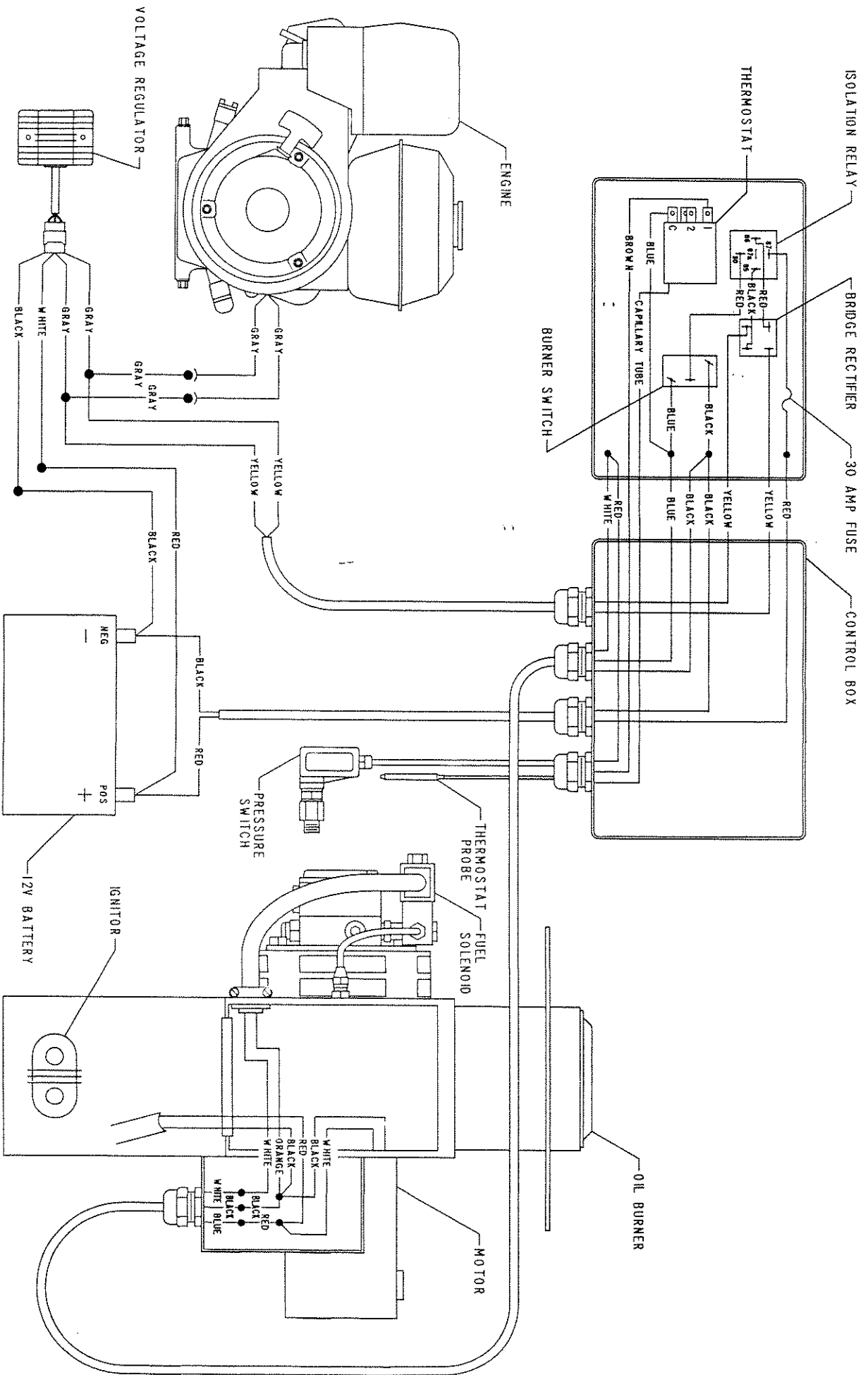


Figure 12 - Machine Assembly, Right View

Ref. No.	Part No.	Description	Qty.
1	661282	Engine	1
2	Fig. 20	Trigger Gun/Wand Assembly	1
3	707226	Pressure Hose	1
4	826176	Quick Disconnect	1
5	873777	Insulation	1
6	646047	Decal Troubleshooting	1
7	873778	Insulation	1
8	Fig. 21	Burner Assembly	1
9	■	Locknut 5/16" - 18	7
10	■	Flat Washer 5/16"	7

Ref. No.	Part No.	Description	Qty.
11	■	Flat Washer 5/8"	8
12	983013	Wheel	4
13	817322	Hubcap	4
14	848616	Push Nut	4
15	815329	Snap Bushing	1
16	●	Voltage Regulator	1
17	■	Flat Washer 1/4"	2
18	■	Locknut 1/4" - 20	2

● Item supplied with engine.
 ■ Standard hardware item available locally.



Wiring Diagram

Figure 23

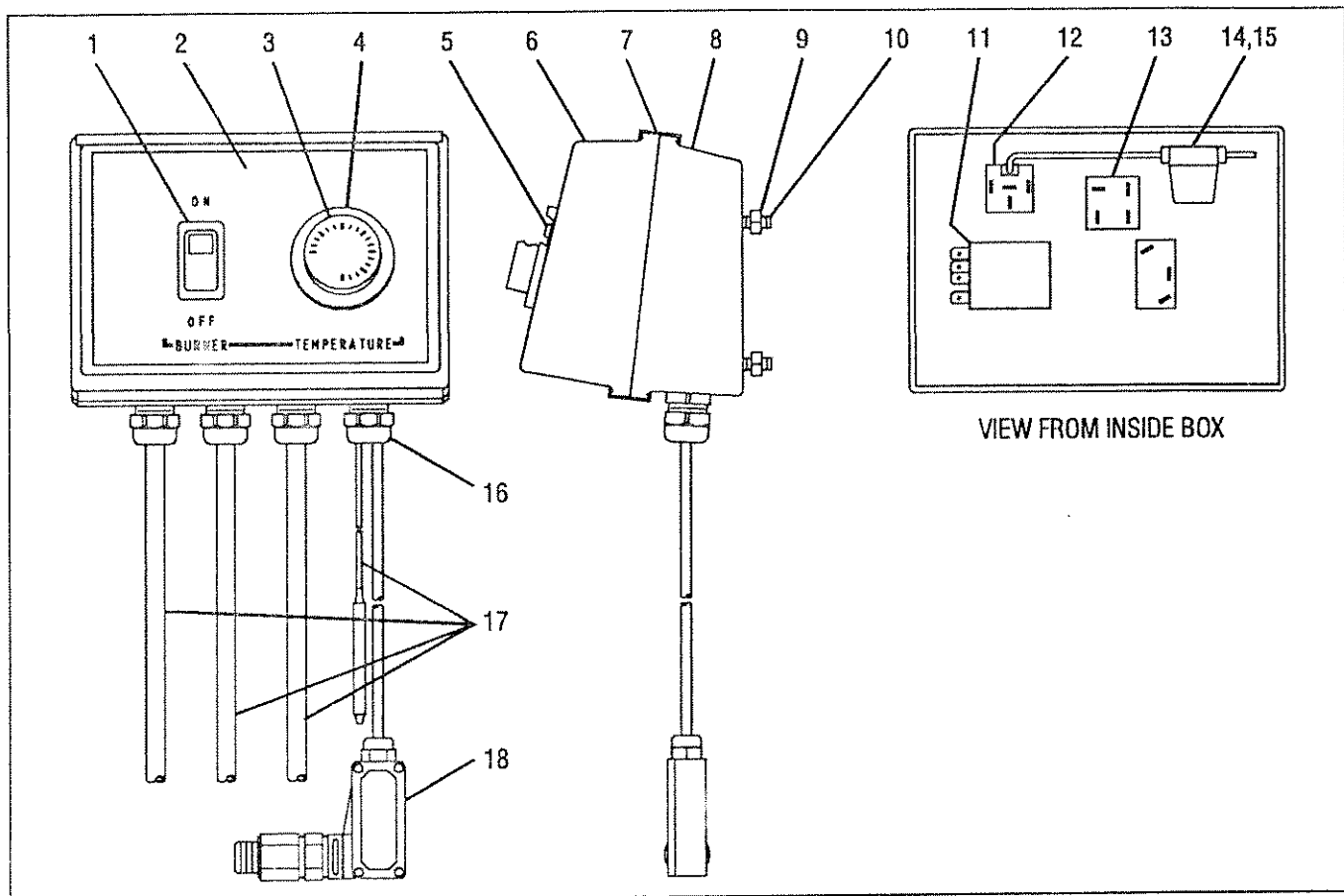


Figure 14 - Control Box Assembly

Ref. No.	Part No.	Description	Qty.
1	875465	Rocker Switch	1
2	645932	Decal Control Box	1
3	835150	Thermostat Dial	1
4	915390	Thermostat Mounting Plate	1
5	■	Screw 4mm x 6mm	2
6	615413	Control Box Front	1
7	630649	Channel	2
8	615414	Control Box Back	1
9	■	Locknut 1/4" - 20	4
10	■	Bolt 1/4" - 20 x 3/4"	4
11	955940	Thermostat	1
12	860140	Isolation Relay	1

Ref. No.	Part No.	Description	Qty.
13	645990	Bridge Rectifier	1
14	676638	Fuse 30A	1
15	707146	Fuse Holder	1
16	826184	Strain Relief	4
17	847750	Wire Cover	*
18	▲ 875651	Pressure Switch	1
■ Standard hardware item available locally.			
* Order amount needed in feet.			
Replacement Parts			
▲	753134	O-Ring Kit	1
▲	875653	Switch	1

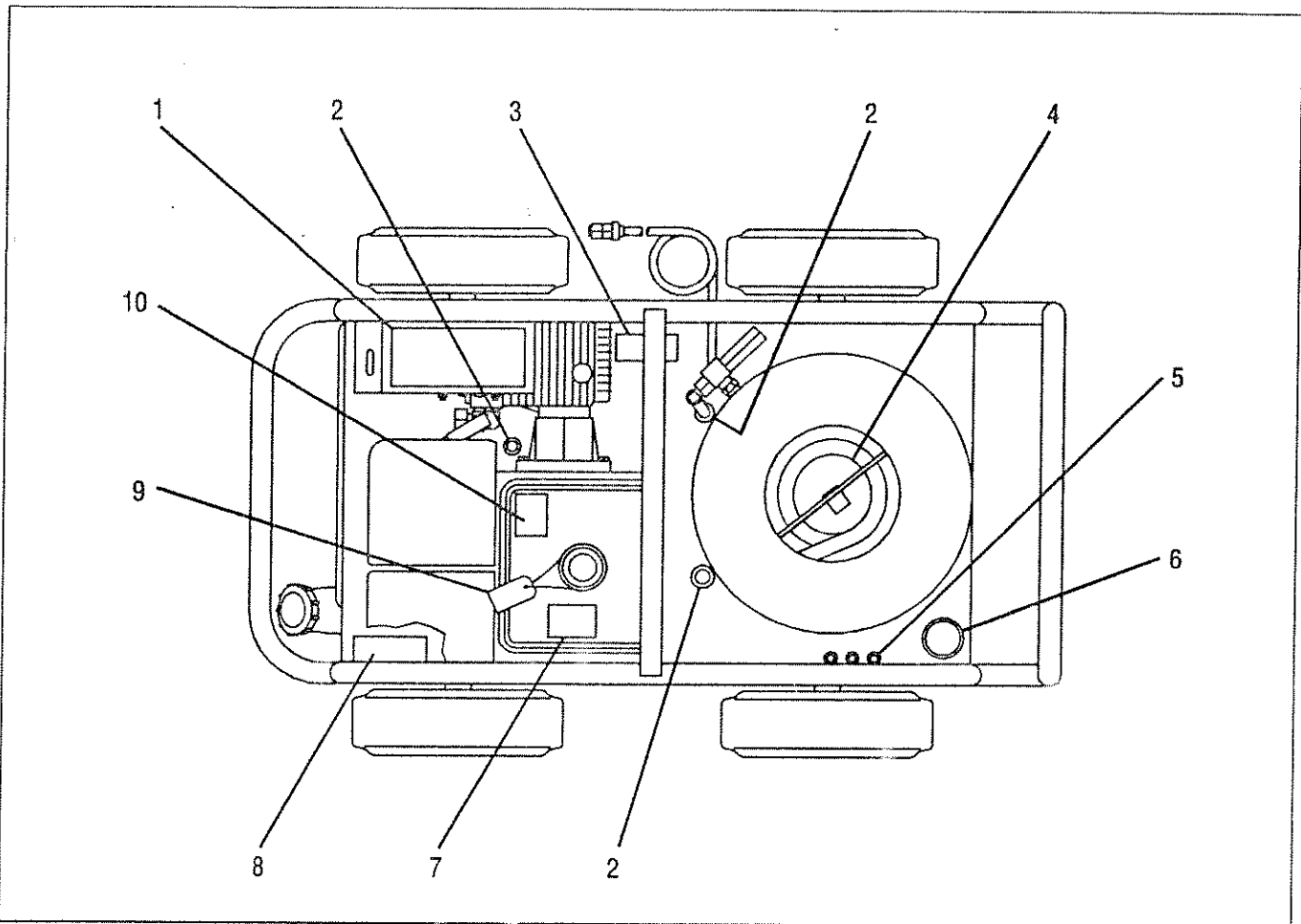


Figure 13 - Machine Assembly, Top View

Ref.No.	Part No.	Description	Qty.
1	646088	Decal Operating Instruction	1
2	815329	Snap Bushing	3
3	834154	Decal Winterize	1
4	240834	Coil	1
5	859815	Grommet (Nozzle Holder)	3

Ref.No.	Part No.	Description	Qty.
6	859806	Grommet	1
7	444462	Decal Caution Gasoline	1
8	232025	Decal Battery	1
9	890783	Tag Gasoline Engine	1
10	646026	Decal Carbon Monoxide	1

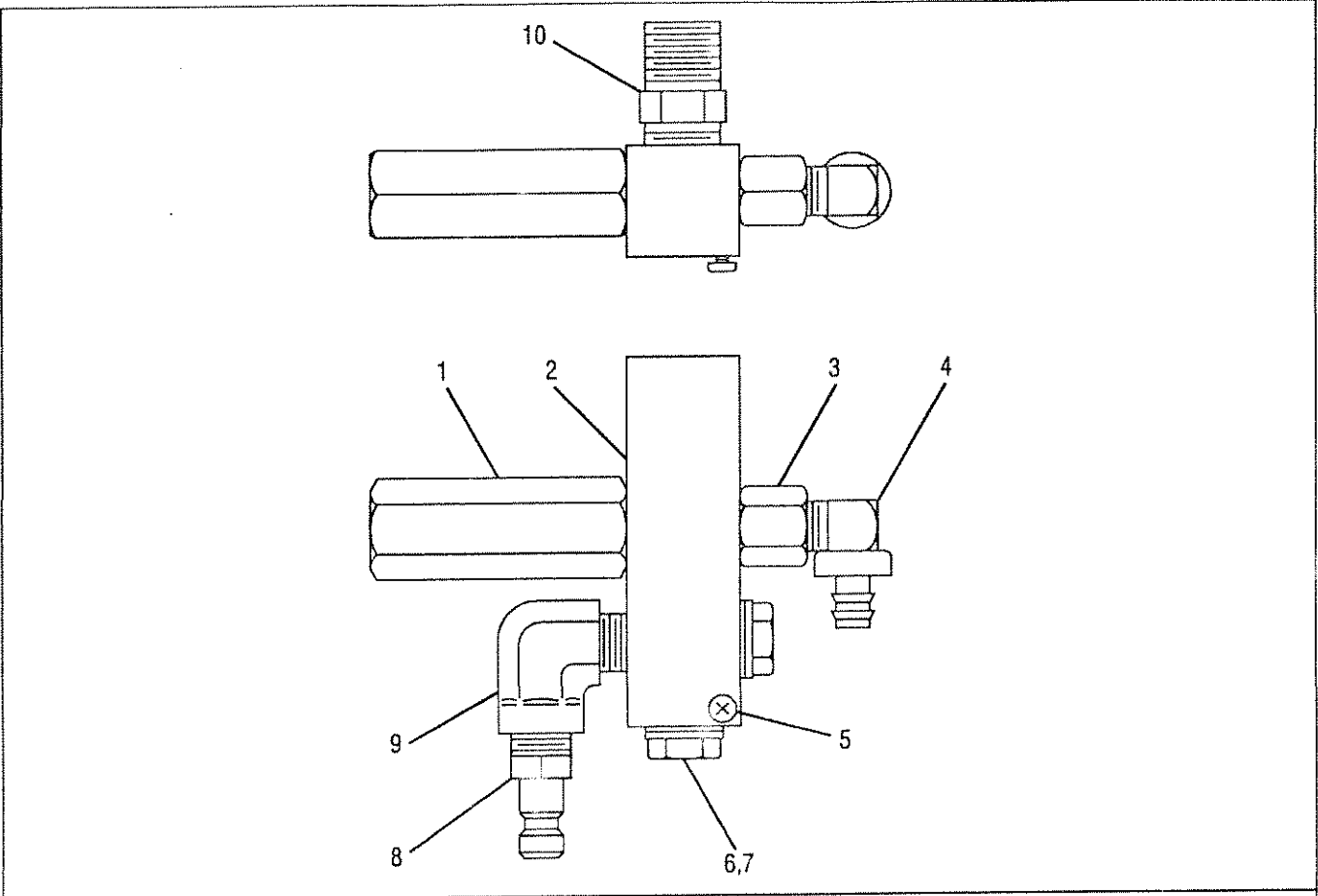


Figure 15 - Coil Outlet Assembly

Ref. No.	Part No.	Description	Qty.
1	630720	Relief Valve Cartridge	1
2	783845	Relief Valve Manifold	1
3	875555	Relief Valve Seat	1
4	799501	Nipple 1/4" x 3/8" Hose	1
5	■	Screw 4mm x 6mm	1
6	780565	Copper Washer	2

Ref. No.	Part No.	Description	Qty.
7	915630	Plug 3/8"	2
8	844806	Quick Disconnect Plug	1
9	644802	Street Elbow 3/8"	1
10	698247	Hex Nipple 1/2" x 2"	1
■ Standard hardware item available locally.			

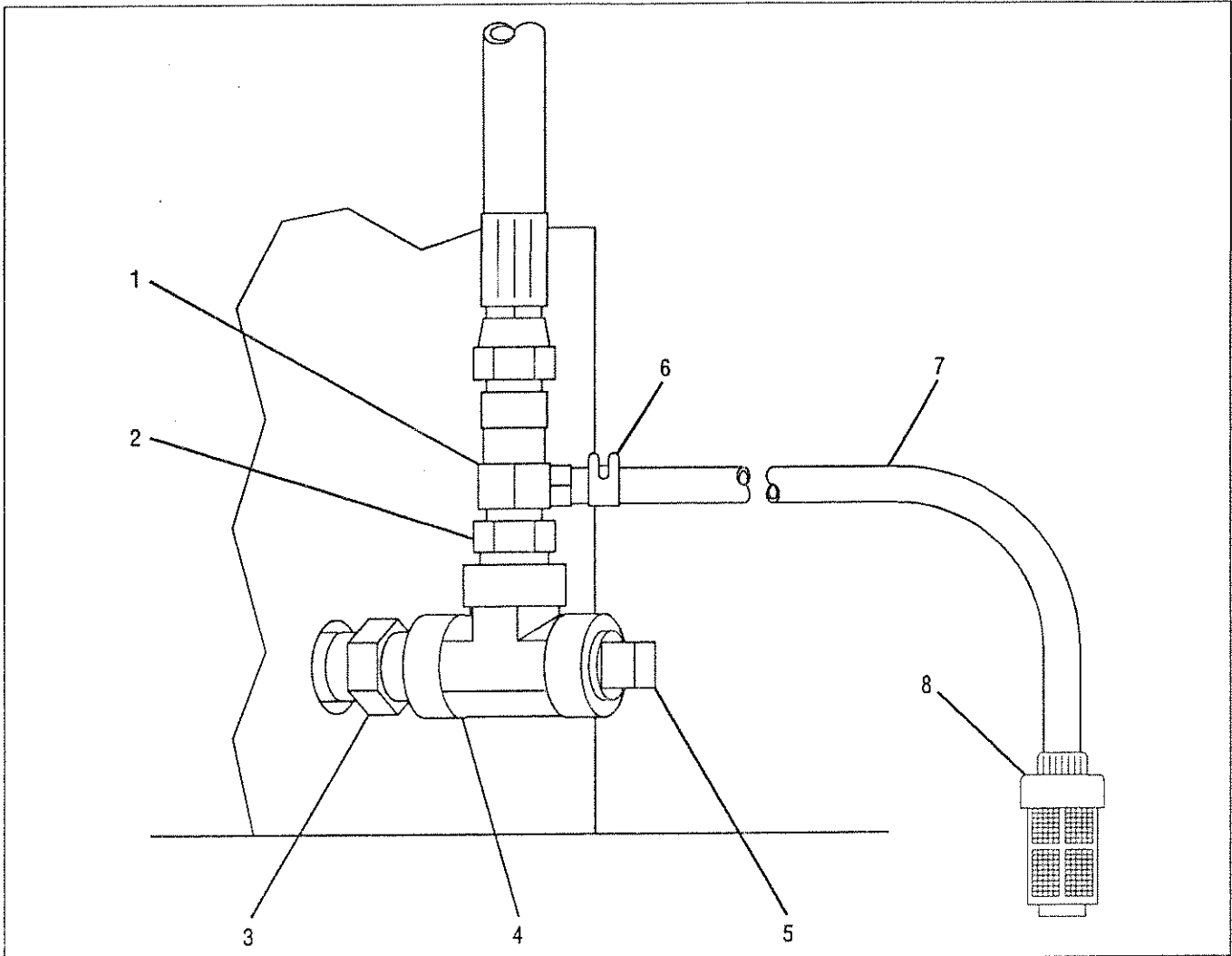


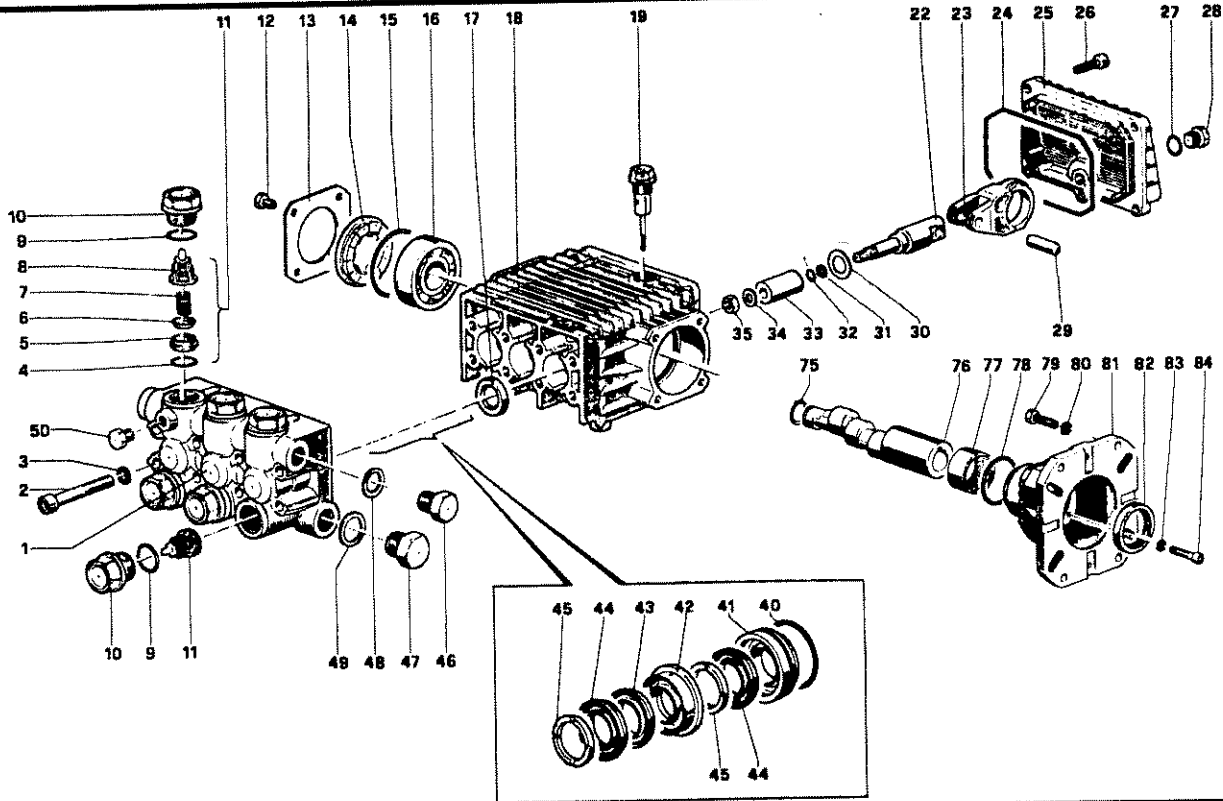
Figure 16 - Coil Inlet Assembly

Ref. No.	Part No.	Description	Qty.
1	873594	Detergent Injector	1
2	815220	Reducer Bushing 1/2" x 3/8"	1
3	698247	Hex Nipple 1/2" x 2"	1
4	754717	Tee 1/2"	1
5	715755	Coil Drain Plug	1

Ref. No.	Part No.	Description	Qty.
6	823989	Hose Clamp	1
7	961534	Tubing 1/4"	*
8	935159	Filter Screen	1
* Order amount needed in feet.			

EZ3035G TRIPLEX PLUNGER PUMP

GENERAL PUMP INCORPORATED



PARTS LIST

ITEM	PART NO.	KIT NO.	DESCRIPTION	QTY.	ITEM	PART NO.	KIT NO.	DESCRIPTION	QTY.	ITEM	PART NO.	KIT NO.	DESCRIPTION	QTY.
1.	44.1200.41		Pump Head	1	22.	44.0500.66		Piston Guide	3	44.	90.2620.00	88,130	Packing	6
2.	99.3175.00		Screw	8	23.	44.0300.22		Connecting Rod	3	45.	51.1000.51	90,130	Head Ring	6
3.	96.7014.00		Washer	8	24.	90.3920.00		O-Ring	1	46.	98.2100.00		Cap Screw	1
4.	90.3841.00	123	O-Ring	6	25.	44.1600.22		Rear Cover	1	47.	98.2176.00		Cap Screw	1
5.	36.2003.66	123	Valve Seat	6	26.	99.1837.00		Screw	5	48.	96.7380.00		Washer	1
6.	36.2001.76	123	Valve	6	27.	90.3585.00		O-Ring	1	49.	96.7514.00		Washer	1
7.	94.7376.00	123	Spring	6	28.	98.2041.00		Cap Screw	1	50.	98.1966.00		Cap Screw	1
8.	36.2025.51	123	Valve Cage	6	29.	97.7340.00		Pin	3	75.	90.0635.00		Retaining Ring	1
9.	90.3847.00	124	O-Ring	6	30.	96.7350.00		Washer	3	76.	44.0220.65		Crankshaft	1
10.	98.2226.00	124	Cap	6	31.	90.5022.00		Anti-Ext. Ring	3	77.	91.8568.00		Roller Bearing	1
11.	36.7115.01	123	Valve Assembly	6	32.	90.3572.00		O-Ring	3	78.	90.4097.00		O-Ring	1
12.	99.1807.00		Screw	4	33.	52.0400.09		Piston	3	79.	99.2755.00		Screw, 5/16x1	4
13.	50.1500.74		Bearing Cover	1	34.	96.7008.00		Washer	3		99.3345.00		Screw, 3/8x1	4
14.	44.2118.01		Spacer	1	35.	92.2216.00		Nut	3	80.	96.7020.00		Washer, Ø8 mm	4
15.	90.4097.00		O-Ring	1	40.	90.3612.00	125,130	O-Ring	3		96.7104.00		Washer, Ø10 mm	4
16.	91.8328.00		Ball Bearing	1	41.	44.0800.70	125,130	Packing Retainer	3	81.	10.0518.22		Gas Flange	1
17.	90.1614.00	23	Oil Seal	3	42.	52.2166.70	89,130	Intermed. Ring	3	82.	90.1690.00		Oil Seal	1
18.	44.0100.22		Crankcase	1	43.	90.2622.00	88,130	Packing	3	83.	96.6938.00		Washer	4
19.	98.2103.00		Oil Dip Stick	1						84.	99.1912.00		Screw	4

REPAIR KITS

KIT NO.	23	88	89	90	123	124	125	130
ITEM NO'S INCLUDED IN KIT	17	43, 44	42	45	4, 5, 6, 7, 8, (11)	9, 10	40, 41	40, 41, 42, 43, 44, 45
NUMBER OF ASSEMBLIES IN KIT	3	3/6	3	6	6	6	3	1/2
NUMBER OF CYLINDERS KIT WILL SERVICE	3	3	3	3	3	3	3	1

TORQUE SPECS*

Position	Ft./lbs.
2	14.7
10	73.7
12	7.3
26	7.3
28	14.7
35	11.0
46	29.4
47	29.4
79	14.7
84	7.3

*Decrease torque by 20% if threads are lubricated.

GENERAL PUMP INCORPORATED

1335 MENDOTA HEIGHTS ROAD • MENDOTA HEIGHTS, MN 55120 • PHONE: (612) 454-6500 • FAX: (612) 454-4524

300280 12-93



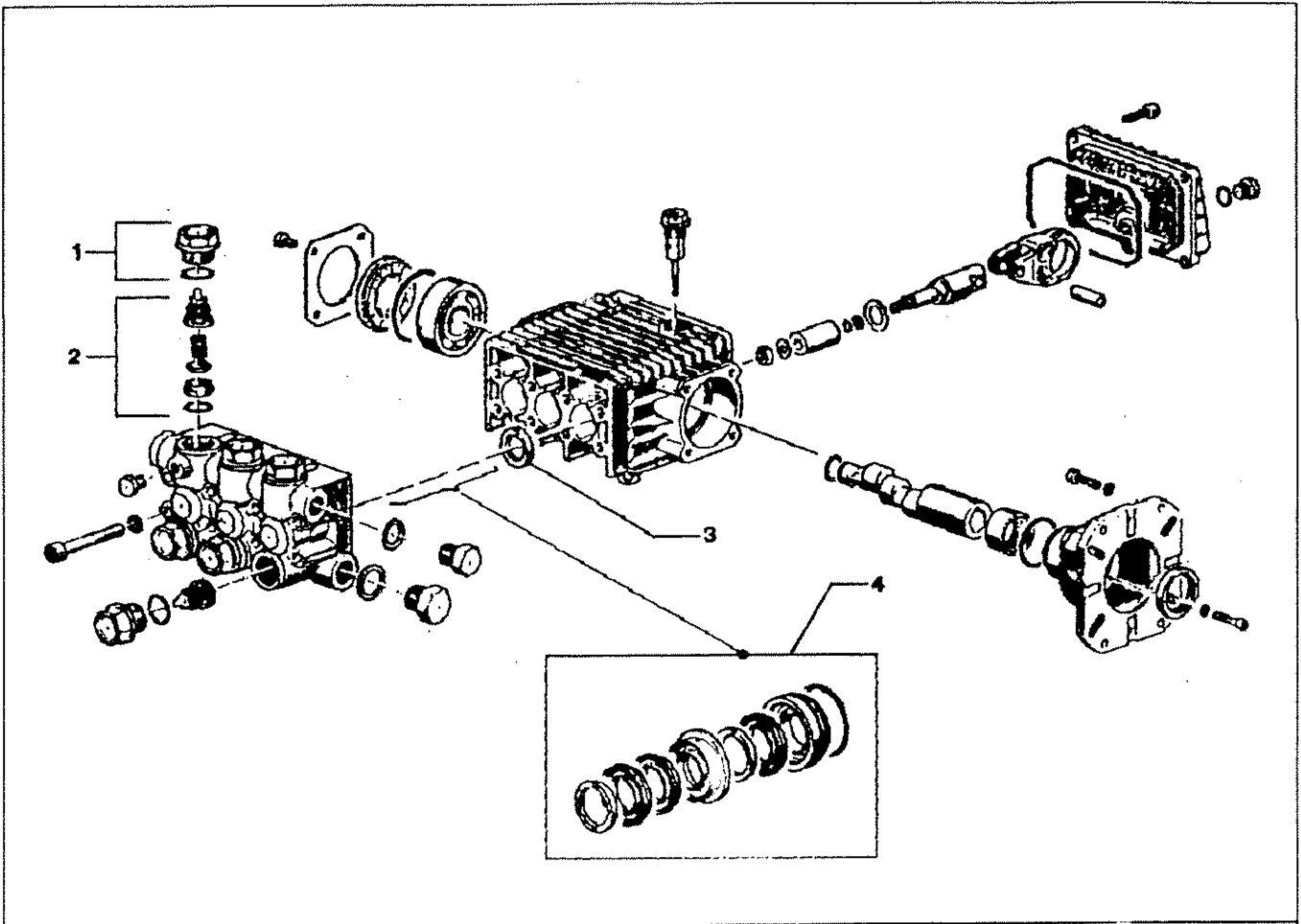


Figure 18 - Pump Exploded View

Ref. No.	Part No.	Description	Qty./Pump
1	753084	Valve Plug Kit	1
2	753083	Check Valve Kit	1

Ref. No.	Part No.	Description	Qty./Pump
3	753079	Oil Seal Kit	1
4	753085	Plunger Seal Kit	3

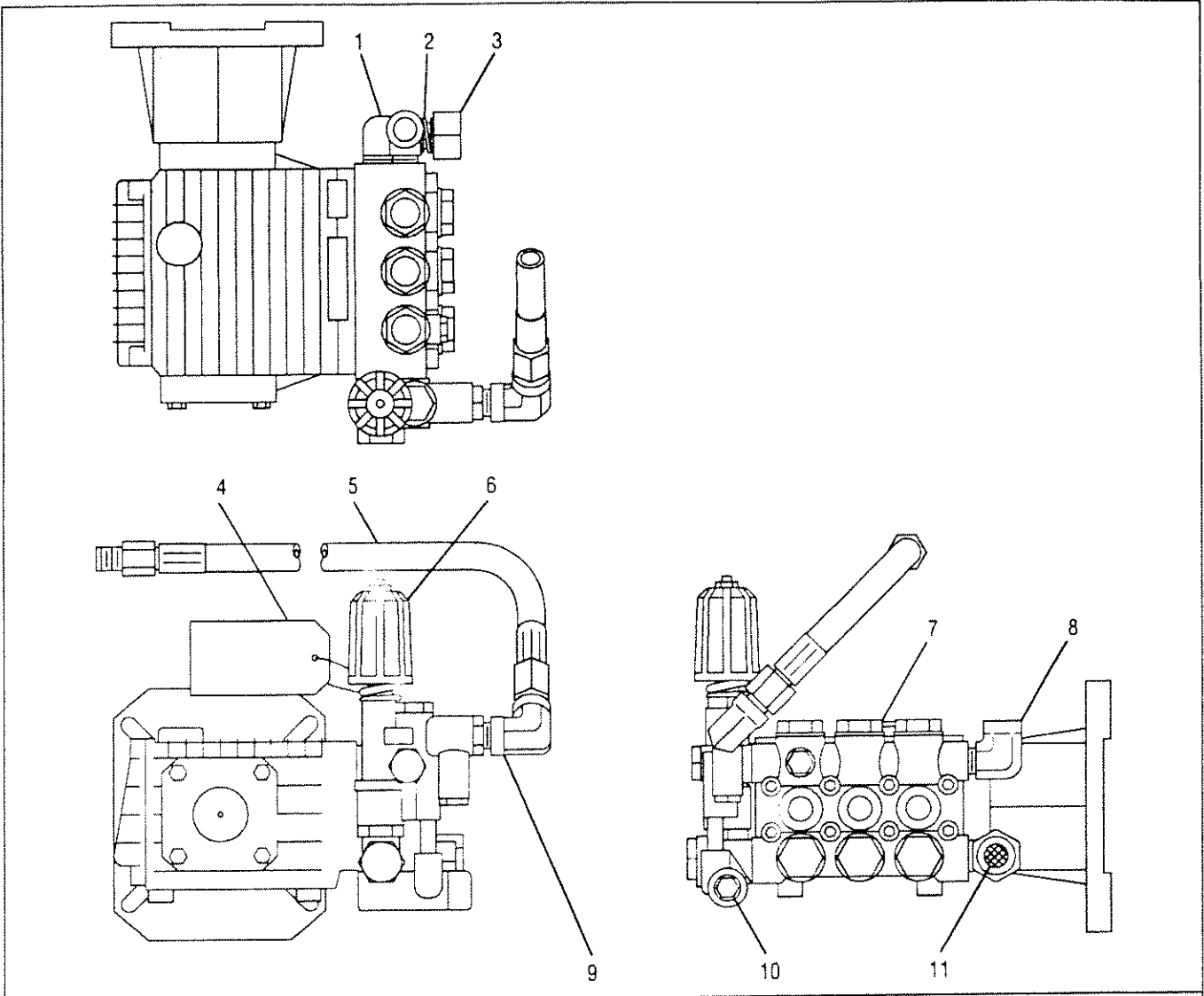


Figure 17 - Pump Assembly

Ref No.	Part No.	Description	Qty.
1	844758	Street Elbow 1/2"	1
2	875575	Garden Hose Connector Spring	1
3	801139	Garden Hose Connector	1
4	890769	Tag Unloader	1
5	707179	Hose 3/8" x 30"	1
6	● 218139	Unloader Valve	1
7	829772	Pump, Fig. 18	1

Ref No.	Part No.	Description	Qty.
8	644802	Elbow Street 3/8"	1
9	644751	Elbow 3/8"	1
10	915567	Plug Pipe 1/2"	1
11	856035	Garden Hose Connector Gasket	1
Replacement Parts			
●	753073	Unloader Valve Repair Kit	

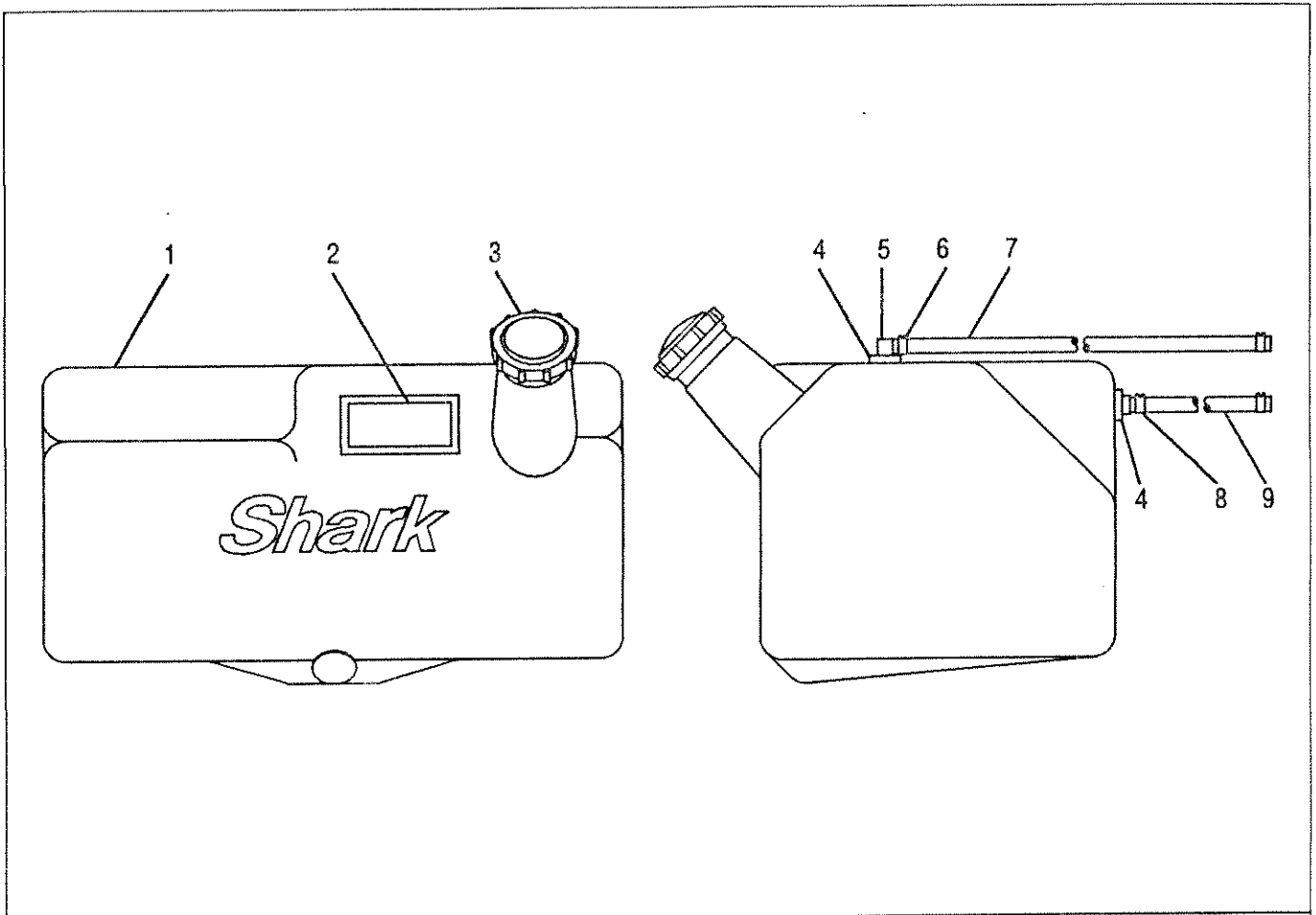


Figure 19 - Fuel Tank Assembly

Ref. No.	Part No.	Description	Qty.
1	890890	Fuel Tank	1
2	834153	Decal Fuel Type	1
3	817312	Fuel Tank Cap	1
4	815230	Bushing	2
5	661277	Elbow 1/4" Hose x Stand Pipe	1

Ref. No.	Part No.	Description	Qty.
6	823988	Hose Clamp	4
7	707116	Hose 1/4" Green	*
8	309294	Nippie 3/8" x 1/4" Hose	1
9	867368	Hose 1/4" Black	*
* Order amount needed in feet.			

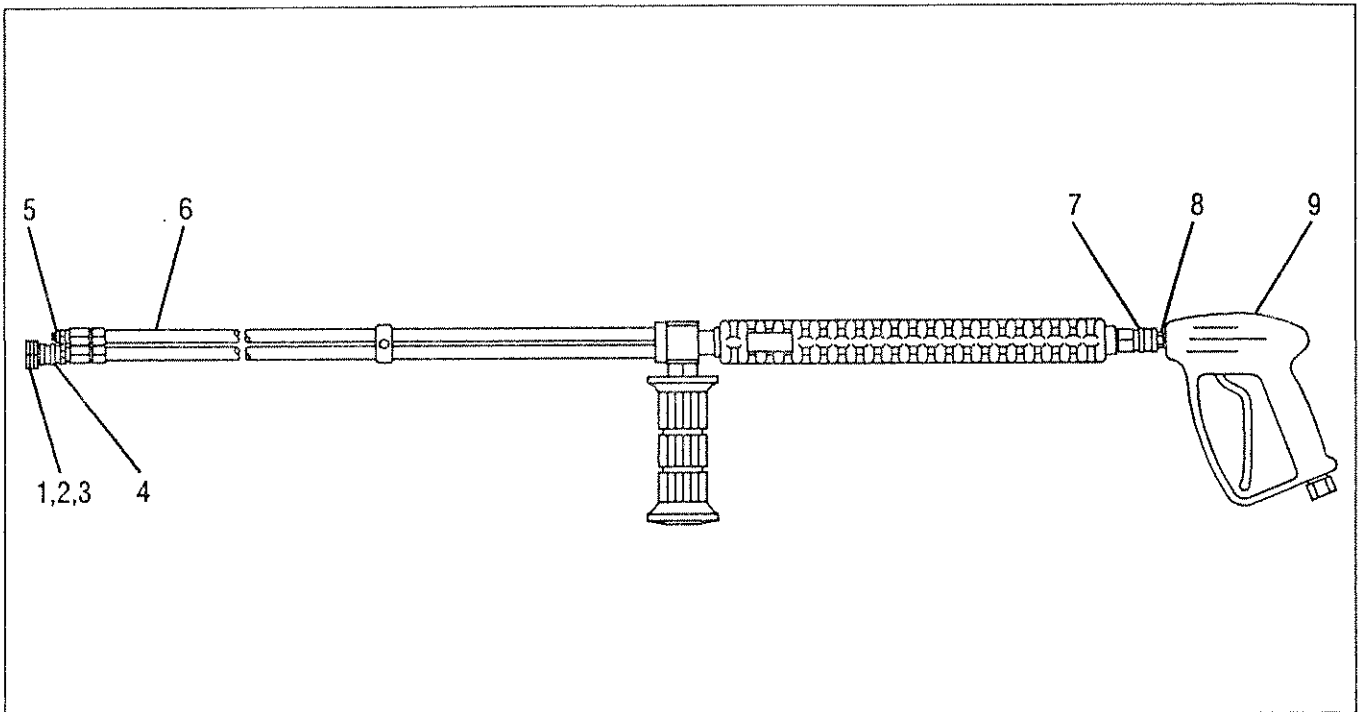


Figure 20 - Trigger Gun/Wand Assembly

Ref. No.	Part No.	Description	Qty.
1	799024	Pressure Nozzle White	1
2	799012	Pressure Nozzle Yellow	1
3	799000	Pressure Nozzle Red	1
4	826170	Quick Disconnect	1
5	900958	Detergent Nozzle	1
6 ▲	936686	Dual Lance Wand	1

Ref. No.	Part No.	Description	Qty.
7	826169	Quick Disconnect	1
8	915786	Quick Disconnect Plug	1
9 ●	691867	Trigger Gun	1
Replacement Parts			
▲	859762	Insulator Grip Assembly	1
●	753179	Trigger Gun Repair Kit	1

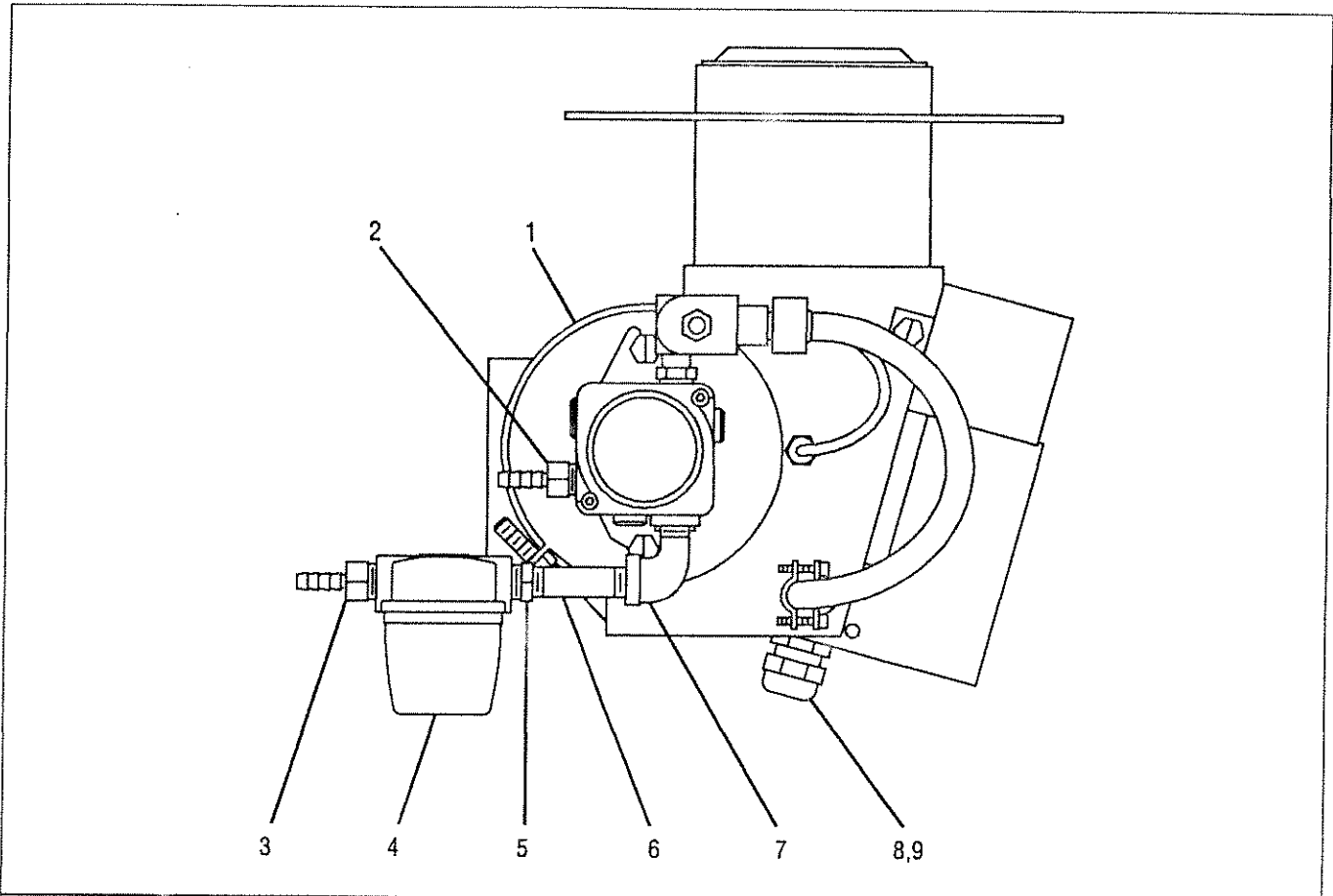


Figure 21 - Burner Assembly

Ref. No.	Part No.	Description	Qty.
1	615601	Burner, Fig. 22	1
2	698020	Nipple 1/4" x 1/4" Hose	1
3	698023	Nipple 3/8" x 1/4" Hose	1
4	● 851080	Fuel Filter	1
5	615279	Reducer Bushing 3/8" x 1/4"	1
6	698200	Nipple 1/4" x 2-1/2"	1

Ref. No.	Part No.	Description	Qty.
7	644750	Street Elbow 1/4"	1
8	826167	Strain Relief	1
9	703127	Strain Relief Nut	1
Replacement Parts			
	● 875490	Filter Element	1

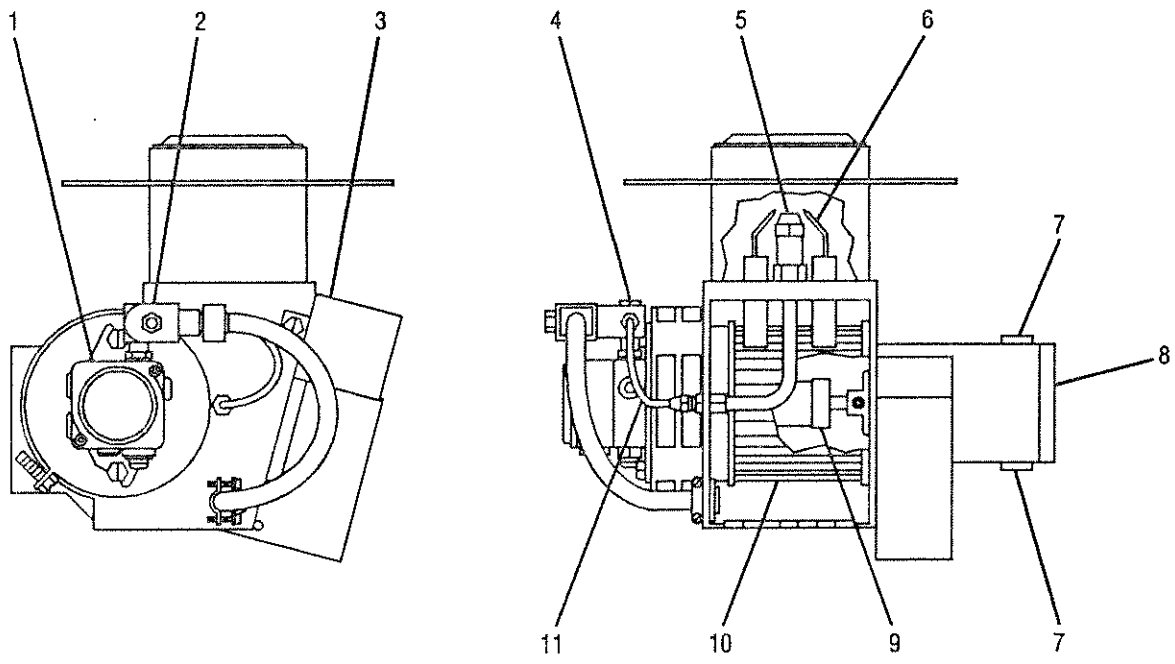


Figure 22 - Burner Parts Breakdown

Ref. No.	Part No.	Description	Qty.
1	830057	Fuel Pump	1
2	944422	Solenoid Valve	1
3	890906	Ignitor	1
4	901230	Solenoid Metering Bolt	1
5	901281	Nozzle	1
6	661274	Electrode (Pair)	1
7	753167	Brush Kit	2

Ref. No.	Part No.	Description	Qty.
8	784353	Motor	1
9	825924	Coupling	1
10	676865	Blower Fan	1
11	880806	Fuel Line	1
NS	877667	Tune Up Repair Kit	1
NS = Not Shown			