

TRS Trailer



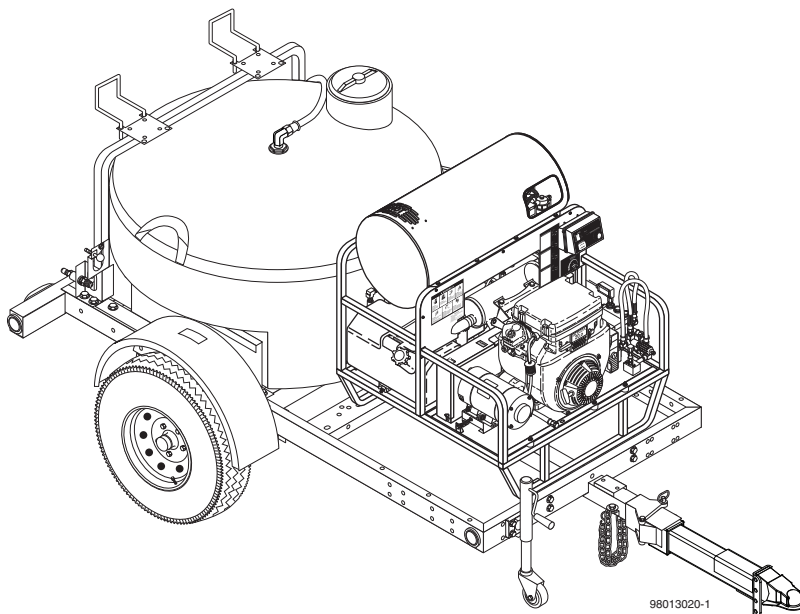
Service Manual

Pressure Washer

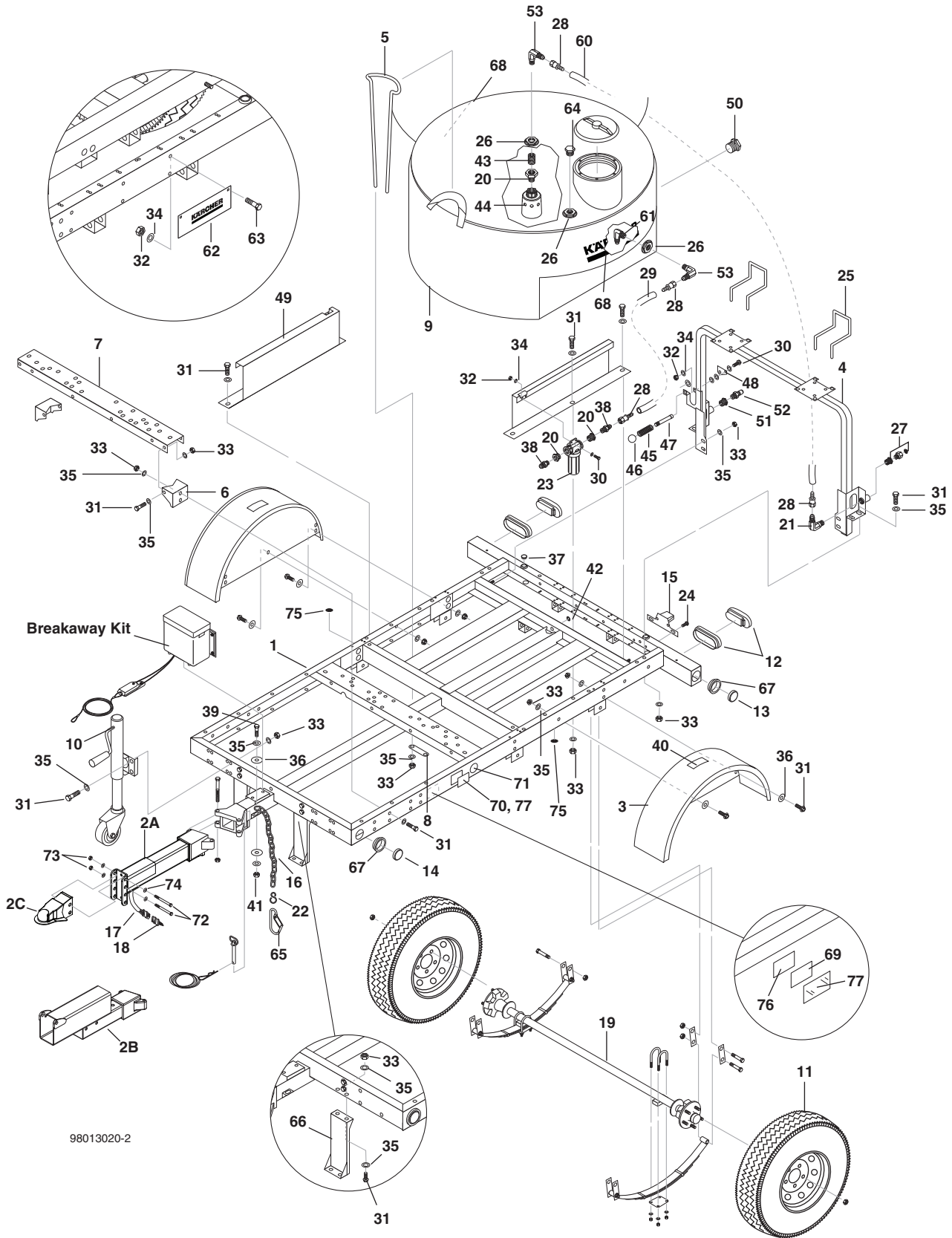
MODELS: TRS-3500-S
 1.103-823.0

 TRS-3500-C
 1.103-826.0

 TRS-6000
 1.103-827.0



TRS-3500-S Trailer



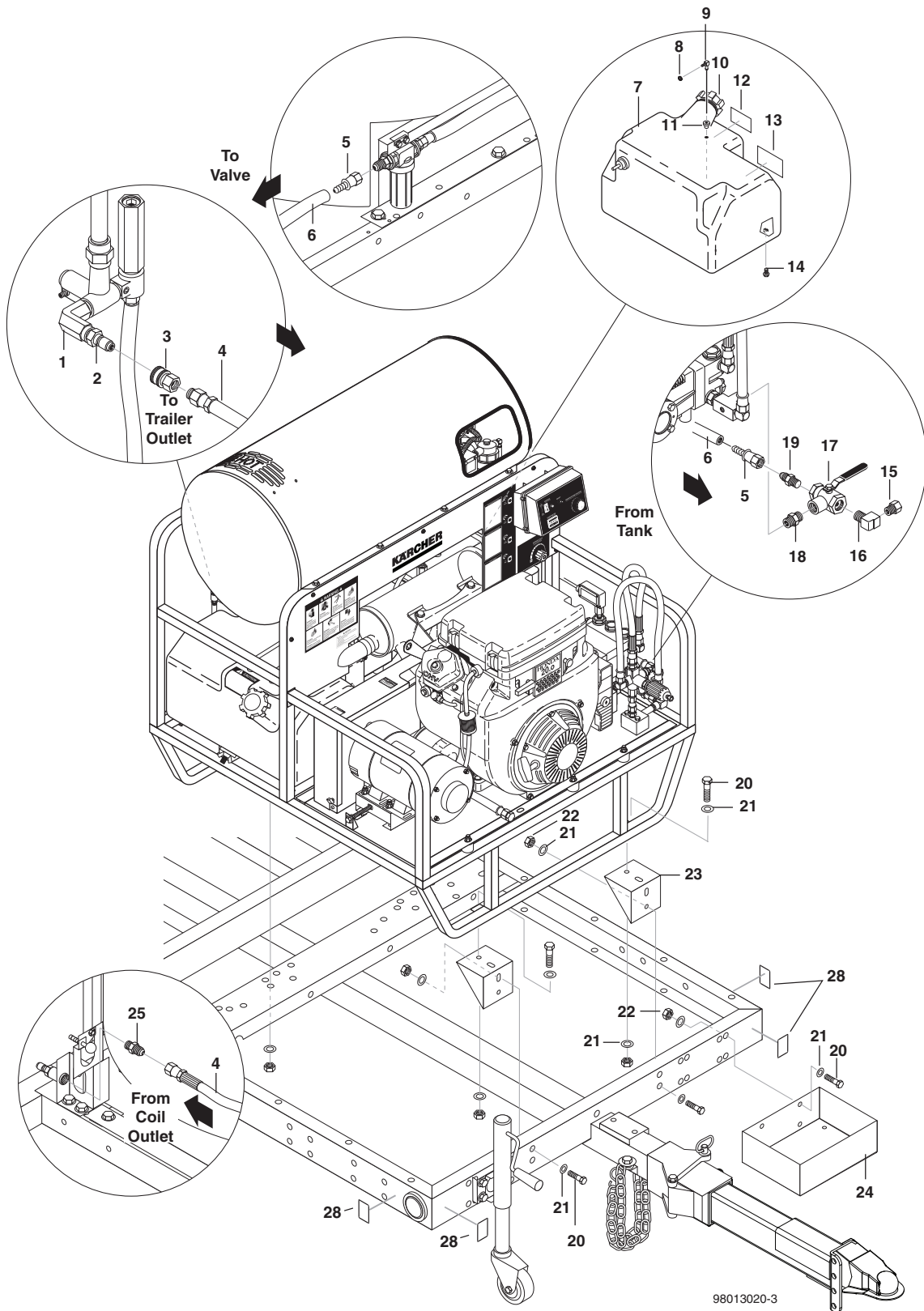
| REF | PART NO. | QTY | DESCRIPTION | NOTES |
|-----|-------------|--------|---|--------------------------|
| 1 | 8.917-302.0 | 1 | WLMT, FRAME, TRAILER, 3000# | |
| 2A | 8.924-294.0 | 1 | WLMT, TONGUE, HINGED | |
| 2B | 8.924-492.0 | 1 | WLMT, TONGUE, HINGED, HYDRAULIC COUPLER | |
| 2C | 8.755-000.0 | 1 | COUPLER, 2" BALL, 2X3" ADJUST HGT | |
| 3 | 8.917-304.0 | 2 | FENDER, W/BACK, 15", PAINTED | |
| 4 | 8.917-305.0 | 1 | WLMT, HOOP, HOSE REEL | |
| 5 | 8.725-543.0 | 1 | ROD, TIE-DOWN, TANK | |
| 6 | 8.917-325.0 | 2 | BRACKET, SKID MOUNT, ADJ. | |
| 7 | 8.917-326.0 | 1 | CHANNEL, SKID MOUNT, ADJ. | |
| 8 | 8.917-341.0 | 1 | BAR, TANK TIE-DOWN | |
| 9 | 8.725-525.0 | 1 | TANK, WATER, 200 GAL | |
| - | 8.704-744.0 | 1 | LID, 8" THREADED W/AIR BREATHER | NOT SHOWN |
| 10 | 8.754-184.0 | 1 | JACK, SWIVEL W/CASTER, 1200 LB | |
| 11 | 8.725-529.0 | 2 | WHEEL/TIRE ASSY, 15" ST205/75D15 TI | |
| 12 | 8.725-530.0 | 2 | LAMP, TAIL, 3-WAY | |
| 13 | 8.725-531.0 | 2 | LAMP, SIDE MARKER, RED | |
| 14 | 8.725-532.0 | 2 | LAMP, SIDE MARKER, AMBER | |
| 15 | 8.725-533.0 | 1 | LAMP, LICENSE W/HOLDER | |
| 16 | 8.707-497.0 | 7.5 ft | CHAIN, 5/16 ZINC PLATED 2 X 45" LONG | |
| - | 8.707-497.0 | 8.5 ft | CHAIN, 5/16 ZINC PLATED 2 X 45" LONG | HYDRAULIC BRAKES ONLY |
| 17 | 8.725-536.0 | 1 | CONNECTOR, SOCKET, 4-FLAT | |
| - | 8.707-510.0 | 1 | CONNECTOR, SOCKET, 7-PRONG | ELECTRIC BRAKES |
| 18 | 8.725-537.0 | 1 | PLUG, 4-FLAT | |
| - | 8.707-511.0 | 1 | PLUG, 7-PRONG | ELECTRIC BRAKES |
| 19 | 8.725-540.0 | 1 | AXLE, 3500 LB., 57" ELECTRIC BRAKES | |
| - | 8.725-539.0 | 1 | AXLE, 3500 LB., 57" HYDRAULIC BRAKES | |
| 20 | 8.706-412.0 | 3 | BUSHING, 1" X 3/4" MT X FT, PVC 80 SPEERS O | |
| 21 | 9.802-132.0 | 1 | ELBOW, 3/4" JIC X 1/2", 90° | |
| 22 | 8.707-498.0 | 2 | HOOK, "S", 5/16" ZINC PLATED | |
| 23 | 8.707-526.0 | 1 | STRAINER, 1" T LINE, TRAILERS | |
| 24 | 9.802-798.0 | 2 | SCREW, #10 X 1/2" TEK HEX HEAD" | |
| 25 | 8.719-946.0 | 2 | HANGER, HOSE | |
| 26 | 9.802-052.0 | 3 | BULKHEAD, 3/4" POLYPRO | |
| 27 | 9.802-146.0 | 1 | SWIVEL, 1/2" MP X 3/4" GHF W/STRAINER | |
| 28 | 9.802-152.0 | 4 | SWIVEL, 3/4" SAE FEM, PUSH-ON" | |
| 29 | 9.802-261.0 | 24" | HOSE 3/4", PUSH-ON | |
| 30 | 9.802-701.0 | 3 | BOLT, 1/4" X 1" HEX HEAD ZINC GRADE | |
| - | 9.802-701.0 | 6 | BOLT, 1/4" X 1" HEX HEAD ZINC GRADE | ELECTRIC BRAKES |

TRS-3500-S Trailer

| REF | PART NO. | QTY | DESCRIPTION | NOTES |
|-----|-------------|-----|--|-------------------------------|
| 31 | 9.802-722.0 | 34 | BOLT, 3/8" X 1-1/4", NC HH | |
| 32 | 9.802-773.0 | 5 | NUT, 1/4-20 ESNA NC | |
| - | 9.802-773.0 | 8 | NUT, 1/4-20 ESNA NC | ELECTRIC BRAKES |
| 33 | 9.802-779.0 | 42 | NUT 3/8" | |
| 34 | 9.802-802.0 | 12 | WASHER, 1/4" FLAT SAE ZINC | |
| - | 9.802-802.0 | 14 | WASHER, 1/4" FLAT SAE ZINC | ELECTRIC BRAKES |
| 35 | 9.802-807.0 | 72 | WASHER, 3/8" FLAT | |
| 36 | 9.802-812.0 | 14 | WASHER, 3/8" X 1-1/2", FENDER, SAE | |
| 37 | 8.706-738.0 | 2 | PLUG, 3/4", HOLE | |
| 38 | 8.706-899.0 | 2 | NIPPLE, 3/4" JIC X 3/4" PIPE | |
| 39 | 9.802-724.0 | 2 | BOLT, 3/8" X 1-1/2", NC, HH, SS | |
| 40 | 8.900-522.0 | 2 | LABEL, CLP WARNING, DO NOT STAND OR STEP | |
| 41 | 9.802-780.0 | 2 | NUT, 3/8" STAINLESS, ESNA, NC | |
| 42 | 8.706-731.0 | 8 | BUSHING, 3/4" SNAP HEYCO | |
| 43 | 8.706-369.0 | 1 | NIPPLE, 3/4", PVC 80, CLOSE | |
| 44 | 8.710-036.0 | 1 | FLOAT VALVE 1" HUDSON 150D 130 PSI | |
| 45 | 8.718-592.0 | 1 | SCREW, 1/4" X 1-1/4" SHDR | |
| 46 | 8.719-079.0 | 1 | KNOB, BLACK PLASTIC, 10-24 THDS | |
| 47 | 8.719-112.0 | 1 | SPRING, 0.31OD X 1.0, STEEL, GEN WIRE J-1450 | |
| 48 | 8.917-463.0 | 1 | LATCH, WAND HOLDER | |
| 49 | 8.917-319.0 | 2 | BRACKET, ALIGNMENT, TANK | |
| 50 | 8.706-395.0 | 1 | PLUG, 2", PVC 80 | |
| 51 | 8.706-294.0 | 1 | BUSHING, 1/2" X 3/8", STEEL | |
| 52 | 9.802-171.0 | 1 | NIPPLE, 3/8" X 3/8" NPT ST | |
| 53 | 9.803-557.0 | 2 | ELBOW, 3/4 JIC X 3/4 | |
| 54 | 8.725-541.0 | 1 | HYDRAULIC LINE KIT | HYDRAULIC BRAKES NOT SHOWN |
| 55 | 8.725-707.0 | 5 | BOLT, 1/2" X 4-1/2" GRADE | NOT SHOWN |
| - | 8.725-707.0 | 2 | BOLT, 1/2" X 4-1/2" GRADE | HYDRAULIC BRAKES NOT SHOWN |
| 56 | 8.718-829.0 | 2 | NUT, 1/2" ESNA | HYDRAULIC BRAKES NOT SHOWN |
| 57 | 9.802-809.0 | 4 | WASHER, 1/2" SAE | HYDRAULIC BRAKES NOT SHOWN |
| 58 | 8.912-403.0 | 1 | BRACKET, BREAK AWAY | ELECTRIC BRAKES NOT SHOWN |
| 59 | 8.707-480.0 | 1 | COUPLER, 2" HYDRAULIC ACTUATOR | HYDRAULIC BRAKES NOT SHOWN |
| 60 | 9.802-261.0 | 51" | HOSE, 3/4 PUSH-ON | |
| 61 | 8.706-890.0 | 1 | ELBOW, 1/2" JIC X 3/4" | |
| 62 | 8.917-329.0 | 1 | PLATE, KARCHER, S.S. | |
| 63 | 8.718-607.0 | 2 | BOLT, CARRIAGE 1/4-20 X 3/4 | |
| 64 | 8.706-397.0 | 1 | PLUG, 3/4 1 | |

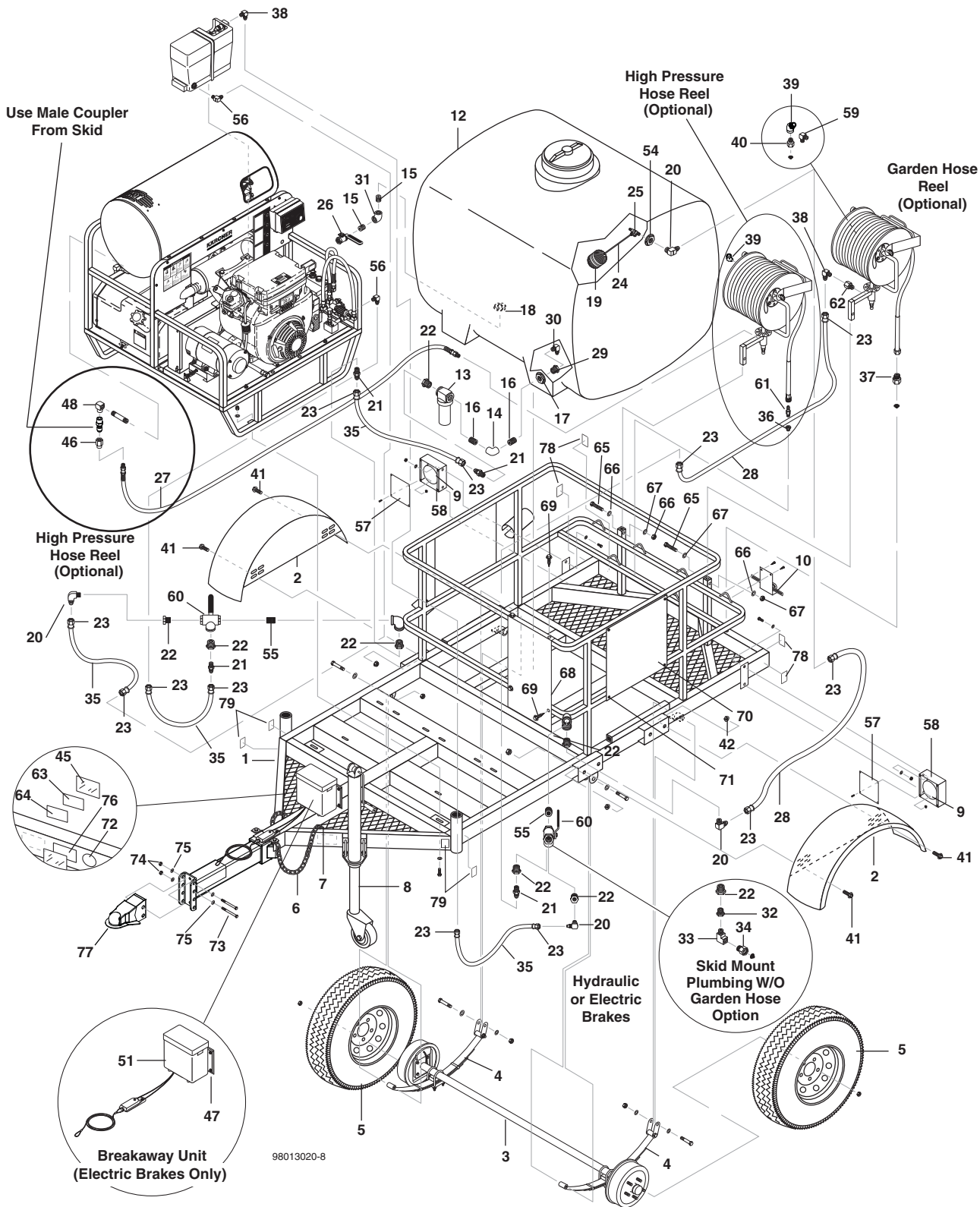
| REF | PART NO. | QTY | DESCRIPTION | NOTES |
|-----|-------------|-----|---|-------|
| 65 | 8.726-136.0 | 2 | HOOK, LATCHING | |
| 66 | 8.917-340.0 | 2 | BRACKET, SHIPPING | |
| 67 | 8.752-041.0 | 4 | GROMMET, LIGHT, 2" | |
| 68 | 8.932-985.0 | 2 | LABEL, KARCHER, STRIPE, 17" x 3.875" | |
| 69 | - | 1 | VIN PLATE | |
| 70 | - | 1 | TIRE PLACARD | |
| 71 | 8.755-291.0 | 1 | LABEL, NATM | |
| 72 | 8.755-310.0 | 2 | 5/8-11 X 4.5" GRADE 5 BOLT, ECOGUARD COATED | |
| 73 | 8.755-309.0 | 2 | 5/8" GRADE 9 LOCKNUT, ECOGUARD COATED | |
| 74 | 8.755-311.0 | 4 | 5/8" SAE FLAT WASHER, ECOGUARD COATED | |
| 75 | 8.755-187.0 | 2 | GROMMET, RUBBER, NOZZLE HOLDER BASE 3/16 | |
| 76 | 8.749-879.0 | 1 | ADHESIVE, 10" ROLL, 2.5" X 7" | |
| 77 | 9.807-349.0 | 2 | LABEL, CLEAR LEXAN | |

TRS-3500-S with SSG Washer



98013020-3

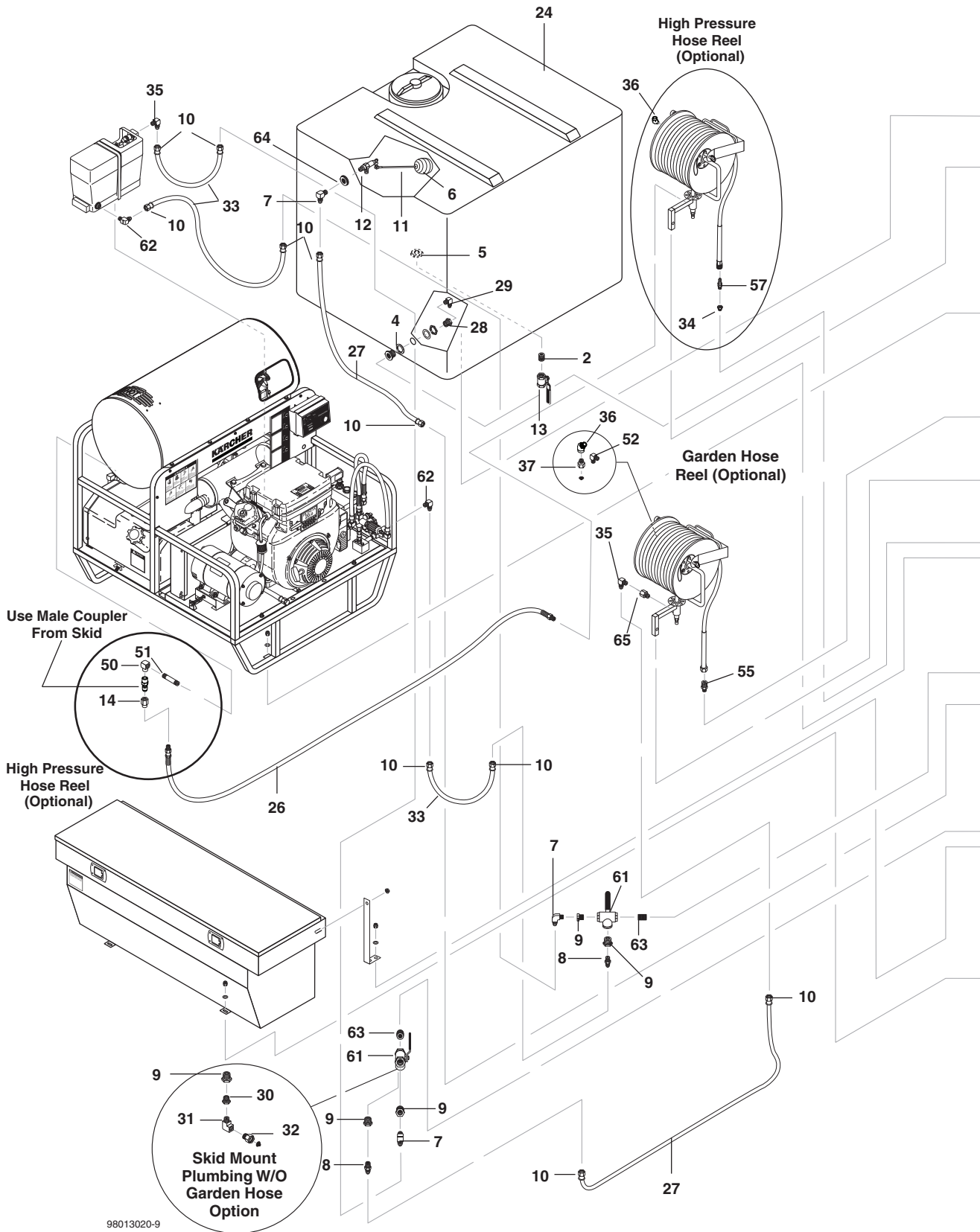
| REF | PART NO. | QTY | DESCRIPTION | NOTES |
|-----|-------------|----------|--|-------------------------|
| 1 | 8.706-207.0 | 1 | ELBOW, 3/8", STREET 90°, STEEL | |
| 2 | 9.802-171.0 | 1 | NIPPLE, 3/8" X 3/8" NPT ST MALE | |
| 3 | 9.802-166.0 | 1 | COUPLER, 3/8" FEMALE, BRASS | |
| 4 | 8.711-708.0 | 1 | HOSE, 1/2" X 90" 2 WIRE, PRESSURE LOOP | |
| 5 | 9.802-152.0 | 2 | SWIVEL, 3/4" SAE FEM, PUSH-ON | |
| 6 | 9.802-261.0 | 3.417 ft | HOSE 3/4" | |
| 7 | 8.706-615.0 | 1 | TANK, FUEL 8 GAL | ALL MODELS EXCEPT 600.0 |
| 8 | 9.802-204.0 | 1 | CLAMP, HOSE, CL13 | ALL MODELS EXCEPT 600.0 |
| 9 | 9.802-056.0 | 1 | DIP TUBE ASSY, PLASTIC, 10.75" LONG | ALL MODELS EXCEPT 600.0 |
| 10 | 9.802-089.0 | 1 | CAP, FUEL TANK, PLASTIC H60-AV | ALL MODELS EXCEPT 600.0 |
| 11 | 9.802-053.0 | 1 | BUSHING, FUEL LINE, RUBBER | ALL MODELS EXCEPT 600.0 |
| 12 | 9.800-008.0 | 1 | LABEL, DANGER COOL ENGINE | ALL MODELS EXCEPT 600.0 |
| 13 | 9.800-001.0 | 1 | LABEL, THIS TANK FOR GAS ONLY | ALL MODELS EXCEPT 600.0 |
| 14 | 9.802-754.0 | 4 | SCREW, 1/4" X 1/2" NC, WHIZ LOC FLANGE | ALL MODELS EXCEPT 600.0 |
| 15 | 9.802-146.0 | 1 | SWIVEL, 1/2" MP X 3/4" GHF W/STRAINER | |
| 16 | 8.706-829.0 | 1 | ELBOW, 1/2" STREET, BRASS | |
| 17 | 8.707-212.0 | 1 | VALVE, 1/2" BRASS, 3-WAY BALL | |
| 18 | 8.706-797.0 | 1 | NIPPLE, 1/2" HEX | |
| 19 | 8.706-902.0 | 1 | NIPPLE, 3/4" JIC X 1/2" PIPE | |
| 20 | 9.802-722.0 | 12 | BOLT, 3/8" X 1-1/4", NC HH | |
| 21 | 9.802-807.0 | 24 | WASHER, 3/8" FLAT | |
| 22 | 9.802-779.0 | 12 | NUT 3/8" | |
| 23 | 8.916-565.0 | 2 | BRACKET, MOUNTING | |
| 24 | 8.917-495.0 | 1 | BRACKET, BATTERY MOUNT | |
| 25 | 9.802-038.0 | 1 | NIPPLE, 1/2" JIC X 1/2" STEEL | |
| 26 | 9.802-204.0 | 1 | S CLAMP, HOSE, CL13 | NOT SHOWN |
| 27 | 9.802-799.0 | 1 | S SCREW, #14 X 1", TEK, BLK., ZINC | NOT SHOWN |
| 28 | 8.757-911.0 | 4 | AMBER REFLECTIVE LABEL B489A | |

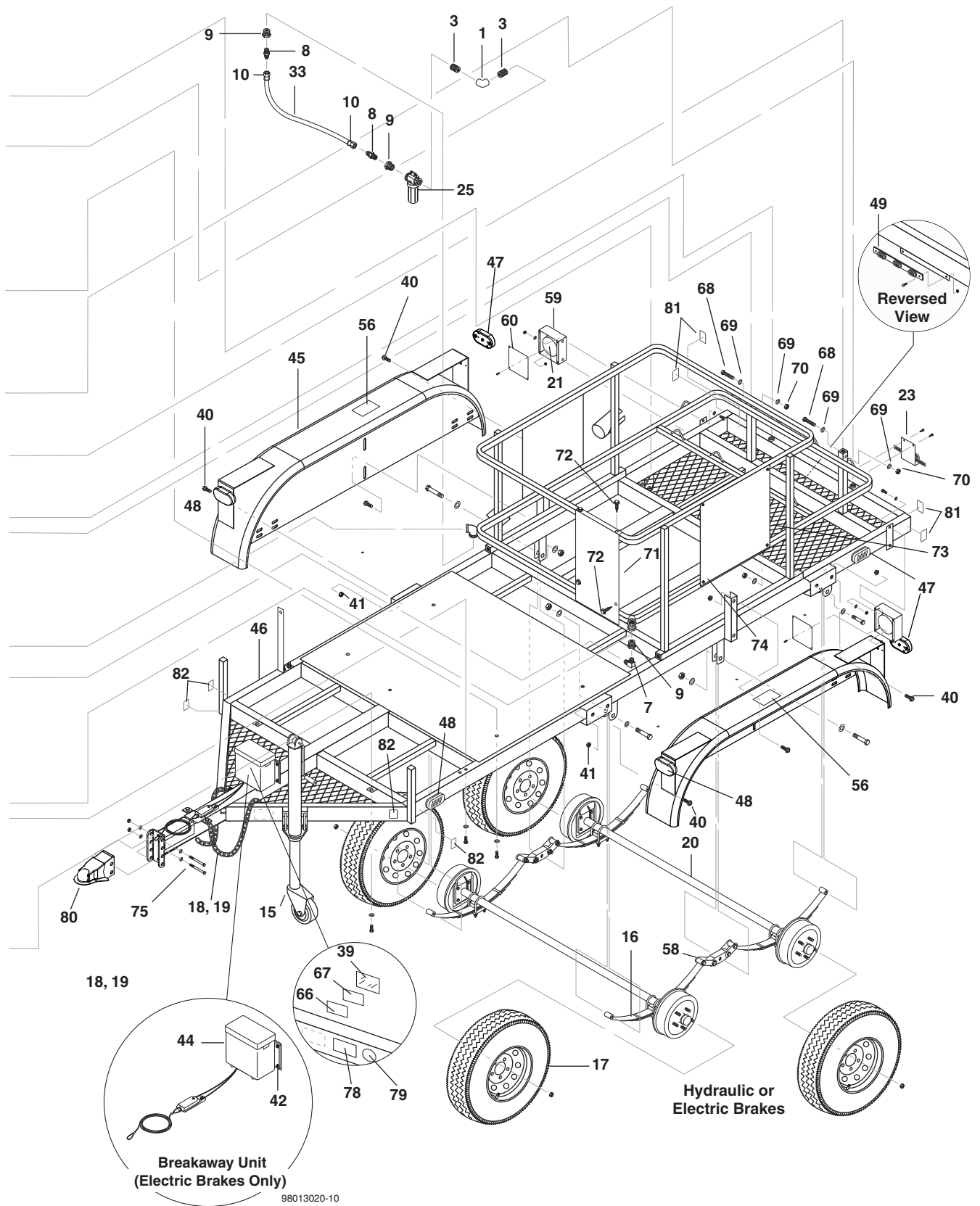


| REF | PART NO. | QTY | DESCRIPTION | NOTES |
|-----|-------------|----------|--|---------------------------|
| 1 | 8.924-346.0 | 1 | WLMT, FRAME, TR-3500-C ADJUST HEIGHT | |
| - | 8.924-348.0 | | WLMT, FRAME, TR-3500-C HYD. BRK, ADJUST HEIGHT | |
| 2 | 8.912-405.0 | 2 | FENDER, SINGLE, ASSY | |
| 3 | 8.707-501.0 | 1 | AXLE, 3500 LBS, 64 TRACK, ELEC. BRAKES | |
| - | 8.707-502.0 | 1 | AXLE, 3500 LBS, 64 TRACK, HYD. BRAKES | |
| 4 | 8.753-334.0 | 1 | SPRINGS, LEAF, 3500 LB./PR | |
| 5 | 8.725-529.0 | 2 | WHEEL/TIRE ASSY, 15" WHEEL | |
| 6 | 8.707-497.0 | 6 ft. | CHAIN, 5/16 ZINC PLATED | |
| - | 9.802-724.0 | 2 | BOLT, 3/8" X 1-1/2", NC, HH, SS | NOT SHOWN |
| - | 8.718-988.0 | 2 | WASHER, 7/16" FLAT, SAE | NOT SHOWN |
| - | 9.802-811.0 | 4 | WASHER, 3/8" X 1-1/2", FENDER | NOT SHOWN |
| - | 8.719-024.0 | 2 | WASHER, 3/8", SS, LOCK | NOT SHOWN |
| - | 8.719-089.0 | 2 | NUT, 3/8" HEX, NC, SS | NOT SHOWN |
| 7 | 8.707-498.0 | 2 | HOOK "S" 5/16 ZINC | |
| 8 | 8.707-485.0 | 1 | JACK, SWIVEL/W/CASTER 1500 LB. | |
| 9 | 8.707-512.0 | 2 | LAMP, STOP/TAIL/TURN, RED | |
| 10 | 8.707-513.0 | 1 | LAMP, LICENSE W/HOLDER | |
| 11 | 8.707-510.0 | 1 | CONNECTOR, 7 PRONG | NOT SHOWN |
| 12 | 8.707-524.0 | 1 | TANK, 200 GAL, HDPE CONST | |
| 13 | 8.707-526.0 | 1 | STRAINER, D1" T LINE | |
| 14 | 8.706-376.0 | 1 | ELBOW, 1" PVC 80 | |
| 15 | 8.706-424.0 | 2 | NIPPLE, 1.5" CLOSE PVC 80 | |
| 16 | 8.706-439.0 | 2 | NIPPLE, 1" CLOSE PVC 80 | |
| 17 | 8.706-484.0 | 1 | BULKHEAD, 1" POLY PRO | |
| 18 | 8.706-490.0 | 1 | BULKHEAD, 1-1/2" POLY PRO | |
| 19 | 8.706-512.0 | 1 | FLOAT, BALL, BLACK PLASTIC | |
| 20 | 9.803-557.0 | 4 | ELBOW, 3/4" X 3/4" 90° | |
| 21 | 8.706-899.0 | 4 | NIPPLE, 3/4 JIC X 3/4" PIPE | |
| 22 | 8.706-929.0 | 7 | BUSHING 1" X 3/4" | |
| 23 | 9.802-152.0 | 10 | SWIVEL, 3/4" SAE FEM PUSH-ON | |
| - | 9.802-152.0 | 12 | SWIVEL, 3/4" SAE FEM PUSH-ON | GARDEN HOSE REEL OPTION |
| 24 | 8.707-025.0 | 1 | STEM, FLOAT 10" | |
| 25 | 8.749-329.0 | 1 | VALVE, 3/4" PLASTIC FLOAT | |
| 26 | 8.707-342.0 | 1 | VALVE, 1-1/2" BALL, POLY | |
| 27 | 8.918-206.0 | 1 | HOSE, 3/8 X 125", 2 WIRE SWIVEL X SWIVEL | HIGH PRESSURE HOSE OPTION |
| 28 | 9.802-261.0 | 12.5 ft. | HOSE, 3/4", PUSH-ON | |
| 29 | 8.706-928.0 | 1 | BUSHING, 1" X 1/2", POLY | |
| 30 | 9.802-131.0 | 1 | ELBOW, 1/2" JIC X 1/2" | |

| REF | PART NO. | QTY | DESCRIPTION | NOTES |
|-----|-------------|-----------|--|---------------------------|
| 31 | 8.706-375.0 | 1 | ELBOW, 1-1/2" FT X FT | |
| 32 | 8.706-925.0 | 1 | BUSHING, 3/4" X 1/2" PIPE | |
| 33 | 8.706-829.0 | 1 | ELBOW, 1/2" STREET BRASS | |
| 34 | 9.802-146.0 | 1 | SWIVEL, 1/2" MP X 3/4" W/S | |
| 35 | 9.802-261.0 | 12.66 ft. | HOSE, 3/4" PUSH-ON, /FT | |
| 36 | 8.706-917.0 | 1 | BUSHING, 1/2" X 3/8" BRASS | HIGH PRESSURE HOSE OPTION |
| 37 | 8.706-968.0 | 1 | FITTING, 3/4", GHF, X 1/2" | |
| 38 | 9.802-132.0 | 2 | ELBOW, 3/4" JIC X 1/2" | |
| 39 | 9.802-041.0 | 2 | ELBOW, 3/8" STREET, 45° | |
| 40 | 9.802-147.0 | 1 | SWIVEL, 3/8" MP X 3/4" GHF | |
| 41 | 9.802-767.0 | 12 | SCREW, 3/8" X 3/4" WHIZ LOC | |
| 42 | 9.802-781.0 | 12 | NUT, 3/8", NC, WHIZ LOC | |
| 43 | 9.802-206.0 | 1 | CLAMP, HOSE | NOT SHOWN |
| 44 | 9.802-794.0 | 8 | NUT, CAGE, 1/4" X 12 GA | NOT SHOWN |
| 45 | 9.807-349.0 | 2 | LABEL, CLEAR LEXAN | |
| 46 | 9.802-166.0 | 1 | COUPLER 3/8" SOCKET, FEMALE, BRASS | HIGH PRESSURE HOSE OPTION |
| 47 | 8.912-403.0 | 1 | BRACKET, BREAKAWAY | ELECTRIC BRAKES ONLY |
| 48 | 8.706-167.0 | 1 | ELBOW, 3/8" FNPT | HIGH PRESSURE HOSE OPTION |
| 49 | 8.705-974.0 | 1 | NIPPLE, 3/8" HEX STEEL-P/N-C3069X6 | (OPTION) |
| 50 | 8.755-187.0 | 1 | GROMMET, RUBBER, NOZZLE HOLDER BASE 3/16 | NOT SHOWN |
| 51 | 8.707-506.0 | 1 | BREAK AWAY KIT, W/BATTERY | ELECTRIC BRAKES ONLY |
| 52 | 9.802-064.0 | 6 | GROMMET, RUBBER, NOZZLE | NOT SHOWN |
| 53 | 8.900-522.0 | 2 | LABEL, WARNING, DO NOT STAND OR STEP | NOT SHOWN |
| 54 | 9.802-052.0 | 1 | BULKHEAD, 3/4" POLY PRO | |
| 55 | 8.706-117.0 | 2 | NIPPLE, 1" PIPE, CLOSE | |
| 56 | 9.802-132.0 | 2 | ELBOW, 3/4" JIC X 1/2" 90° | |
| 57 | 8.912-399.0 | 2 | COVER, LIGHT BRACKET | |
| 58 | 8.912-398.0 | 2 | BRACKET, LIGHT TAIL | |
| 59 | 8.706-207.0 | 1 | ELBOW, 3/8" STREET | |
| 60 | 8.707-230.0 | 2 | VALVE, 3 WAY BRASS 1" | |
| 61 | 9.802-171.0 | 1 | COUPLER, 3/8" PLUG, MALE, STEEL/ZINC | HIGH PRESSURE HOSE OPTION |
| 62 | 8.706-992.0 | 1 | ADAPTER, 1/2" X 3/8" | |
| 63 | 8.749-879.0 | 1 | ADHESIVE, 10" ROLL, 2.5" X 7" | |
| 64 | - | 1 | VIN PLATE | |
| 65 | 9.802-730.0 | 2 | BOLT, 3/8" X 2-1/2" GR5 ZINC | |
| 66 | 9.802-807.0 | 4 | WASHER, 3/8", SAE, FLAT ZINC | |
| 67 | 9.802-779.0 | 2 | NUT, 3/8", ESNA, NC | |

| REF | PART NO. | QTY | DESCRIPTION | NOTES |
|-----|-------------|-----|---|------------------------|
| 68 | 8.916-826.0 | 1 | GUARD, EXHAUST, TRAILER | SUPER SKID MODELS ONLY |
| 69 | 9.802-799.0 | 4 | SCREW, # 14 X 1" TEK | SUPER SKID MODELS ONLY |
| 70 | 8.912-401.0 | 2 | SIGNAGE PLATE | (OPTION) |
| 71 | 9.802-799.0 | 8 | SCREW, # 14 X 1" TEK BLK, ZINC | |
| 72 | 8.755-291.0 | 1 | LABEL, NATM | |
| 73 | 8.755-310.0 | 2 | 5/8-11 X 4.5 INCH GRADE 5 BOLT, ECOGUARD COATED | |
| 74 | 8.755-309.0 | 2 | 5/8 INCH GRADE 9 LOCKNUT, ECOGUARD COATED | |
| 75 | 8.755-311.0 | 4 | 5/8 INCH SAE FLAT WASHER, ECOGUARD COATED | |
| 76 | - | 1 | TIRE PLACARD LABEL | |
| 77 | 8.755-000.0 | 1 | COUPLER, 2" BALL, 2X3" ADJUST HGT | |
| - | 8.755-187.0 | 1 | GROMMET, RUBBER, NOZZLE HOLDER BASE 3/16 | NOT SHOWN |
| 78 | 8.757-910.0 | 4 | RED REFLECTIVE LABEL B489R | |
| 79 | 8.757-911.0 | 4 | AMBER REFLECTIVE LABEL B489A | |



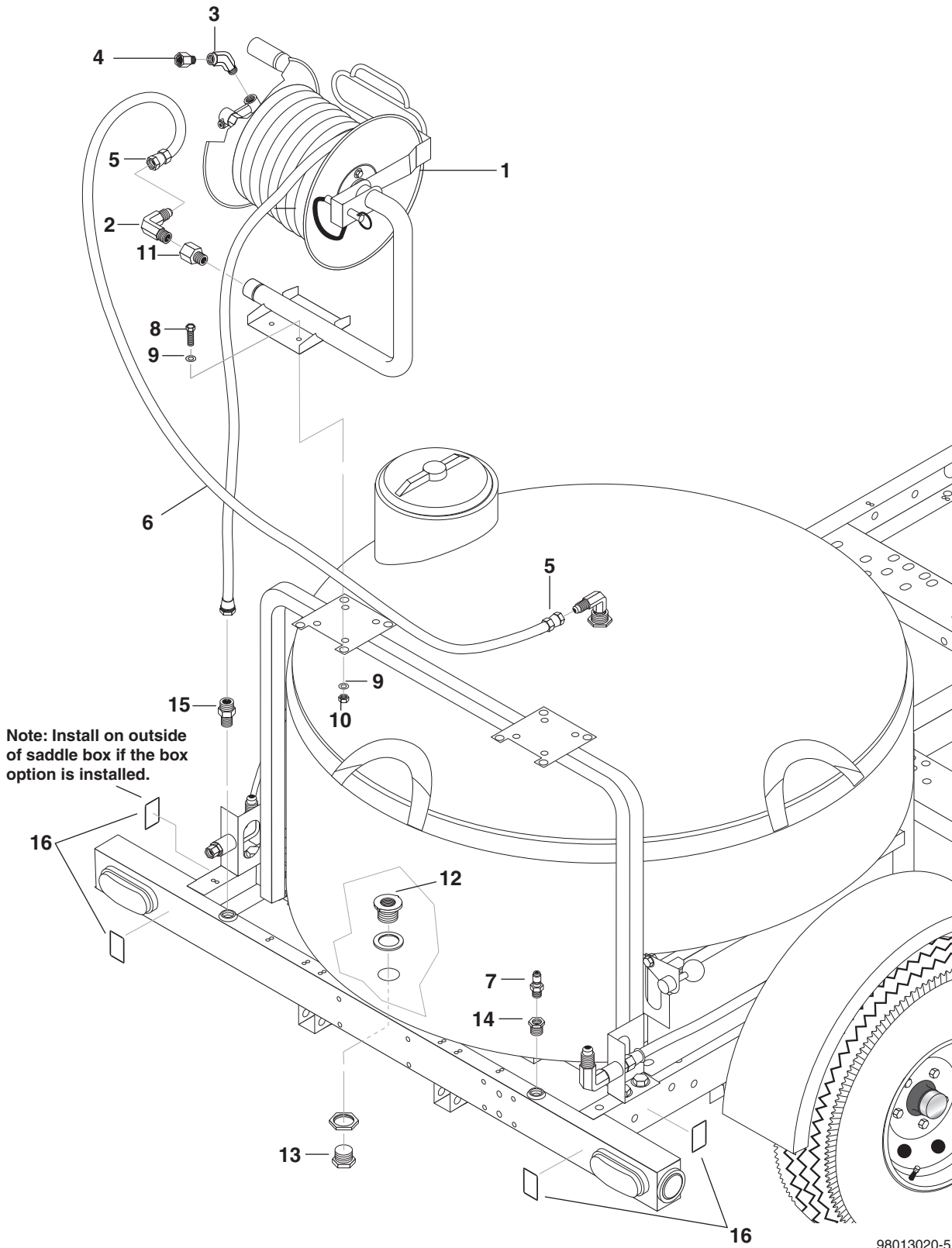


TRS-6000

| REF | PART NO. | QTY | DESCRIPTION | NOTES |
|-----|-------------|----------|--|---------------------------|
| 1 | 8.706-376.0 | 1 | ELBOW, 1" FIPT X FIPT, PVC 80 | |
| 2 | 8.706-424.0 | 1 | NIPPLE, 1.5 X CLOSE, PVC 80 | |
| 3 | 8.706-439.0 | 2 | NIPPLE, 1", PVC 80, CLOSE | |
| 4 | 8.706-484.0 | 1 | BULKHEAD, 1", POLYPRO | |
| 5 | 8.706-490.0 | 1 | BULKHEAD, 1-1/2" POLYPRO | |
| 6 | 8.706-512.0 | 1 | BALL, FLOAT, BLACK PLASTIC | |
| 7 | 9.803-557.0 | 4 | ELBOW, 3/4" SAE X 3/4", 90° | |
| 8 | 8.706-899.0 | 4 | NIPPLE, 3/4" JIC X 3/4" PIPE | |
| 9 | 8.706-929.0 | 7 | BUSHING, 1" X 3/4" | |
| 10 | 9.802-152.0 | 12 | SWIVEL, 3/4" SAE FEM, PUSH-ON | |
| 11 | 8.707-025.0 | 1 | STEM, 10" FLOAT | |
| 12 | 8.749-329.0 | 1 | VALVE, 3/4" PLASTIC FLOAT | |
| 13 | 8.707-342.0 | 1 | VALVE, 1.5" BALL, FPT X FPT, POLY | |
| 14 | 9.802-166.0 | 1 | COUPLER 3/8"SOCKET, FEMALE, BRASS | HIGH PRESSURE HOSE OPTION |
| 15 | 8.707-485.0 | 1 | JACK, SWIVEL W/CASTER, 1500 LBS. | |
| 16 | 8.753-334.0 | 2 | SPRINGS, LEAF, 3500 LB./PR | |
| 17 | 8.725-529.0 | 4 | WHEEL/TIRE ASSY, 15" WHEEL, ST205/75D15 TIRE | |
| 18 | 8.707-497.0 | 6 ft. | CHAIN, 5/16 ZINC PLATED | |
| - | 9.802-724.0 | 2 | BOLT, 3/8" X 1-1/2", NC, SS | NOT SHOWN |
| - | 8.718-988.0 | 2 | WASHER, 7/16" FLAT, SAE | NOT SHOWN |
| - | 9.802-811.0 | 4 | WASHER, 3/8" X 1-1/2", FENDER | NOT SHOWN |
| - | 8.719-024.0 | 2 | WASHER, 3/8", SS, LOCK | NOT SHOWN |
| - | 8.719-089.0 | 2 | NUT, 3/8" HEX, NC, SS | NOT SHOWN |
| 19 | 8.707-498.0 | 2 | HOOK, "S", 5/16" ZINC PLATED | |
| 20 | 8.707-504.0 | 2 | AXLE, 3500 LBS, 73" TRACK, ELEC. BRAKES | |
| - | 8.707-505.0 | 2 | AXLE, 3500 LBS, 73" TRACK, HYD. BRAKES | |
| 21 | 8.707-512.0 | 2 | LAMP, STOP/TAIL/TURN, RED | |
| 22 | 8.707-511.0 | 1 | PLUG, 7-PRONG | NOT SHOWN |
| 23 | 8.707-513.0 | 1 | LAMP, LICENSE W/HOLDER | |
| 24 | 8.707-525.0 | 1 | TANK, 330 GAL. HDPE CONSTR. | |
| 25 | 8.707-526.0 | 1 | STRAINER, 1" T-LINE, TRAILERS | |
| 26 | 8.918-206.0 | 1 | HOSE, 3/8" X 125", 2 WIRE, SWIVEL X SWIVEL | HIGH PRESSURE HOSE OPTION |
| 27 | 9.802-261.0 | 12.5 ft. | HOSE, 3/4" PUSH-ON | |
| 28 | 8.706-928.0 | 1 | BUSHING, 1" X 1/2" BLACK POLY | |
| 29 | 9.802-131.0 | 1 | ELBOW, 1/2" JIC X 1/2" 90° | |
| 30 | 8.706-925.0 | 1 | BUSHING, 3/4" X 1/2" PIPE | |
| 31 | 8.706-829.0 | 1 | ELBOW, 1/2" STREET, BRASS | |
| 32 | 9.802-146.0 | 1 | SWIVEL, 1/2"MP X 3/4" GHF | |
| 33 | 9.802-261.0 | 12.66 ft | HOSE, 3/4" PUSH-ON, /FT | |
| 34 | 8.706-917.0 | 1 | BUSHING. 1/2" X 3/8" BRASS | HIGH PRESSURE HOSE OPTION |
| 35 | 9.802-132.0 | 2 | ELBOW, 3/4" JIC X 1/2" MPT | |
| 36 | 9.802-041.0 | 2 | ELBOW, 3/8" STREET 45° | |
| 37 | 9.802-147.0 | 1 | SWIVEL, 3/8" MP X 3/4" GHF | |
| 38 | 9.802-206.0 | 1 | CLAMP, HOSE | NOT SHOWN |
| 39 | 9.807-349.0 | 2 | LABEL, CLEAR LEXAN | |

| REF | PART NO. | QTY | DESCRIPTION | NOTES |
|-----|-------------|-----|---|---------------------------|
| 40 | 9.802-767.0 | 12 | SCREW, 3/8" X 3/4" WHIZ LOC | |
| 41 | 9.802-781.0 | 12 | NUT, 3/8", WHIZ LOC, NC | |
| 42 | 8.912-403.0 | 1 | BRACKET, BREAKAWAY | ELECTRIC BRAKES ONLY |
| 43 | 9.802-794.0 | 8 | NUT, CAGE, 1/4" X 12 GA | NOT SHOWN |
| 44 | 8.707-506.0 | 1 | BREAKAWAY KIT W/BATTERY | ELECTRIC BRAKES ONLY |
| 45 | 8.924-311.0 | 2 | ASSY, TANDEM AXLE FENDER, W/ LIGHT MOUNTS | |
| 46 | 8.924-295.0 | 1 | WLMT, FRAME, TR-3500, ADJST HEIGHT | |
| - | 8.294-347.0 | 1 | WLMT, FRAME, TR-3500, HYDRAULIC | |
| 47 | 8.707-507.0 | 4 | LAMP, SIDE MARKER, RED | |
| 48 | 8.707-508.0 | 4 | LAMP, SIDE MARKER, AMBER | |
| 49 | 8.707-509.0 | 1 | LAMP, IDENTIFICATION BAR | |
| 50 | 8.706-167.0 | 1 | ELBOW, 3/8" FNPT | HIGH PRESSURE HOSE OPTION |
| 51 | 8.705-974.0 | 1 | NIPPLE, 3/8" HEX STEEL | HIGH PRESSURE HOSE OPTION |
| 52 | 8.706-207.0 | 1 | ELBOW, 3/8" STREET | |
| 53 | 8.706-294.0 | 1 | BUSHING, 1/2" X 3/8" STREET | |
| 54 | 9.802-064.0 | 3 | GROMMET, RUBBER, NOZZLE | NOT SHOWN |
| 55 | 8.706-968.0 | 1 | FITTING, 3/4" GHF X 1/2" | |
| 56 | 8.900-522.0 | 2 | LABEL, DO NOT STAND OR STEP | |
| 57 | 9.802-171.0 | 1 | NIPPLE, 3/8" X 3/8" MPT | HIGH PRESSURE HOSE OPTION |
| 58 | 8.753-333.0 | 1 | HANGER KIT, TANDEM AXLE | |
| 59 | 8.912-398.0 | 2 | BRACKET TAIL LIGHT | |
| 60 | 8.912-399.0 | 2 | COVER, LIGHT BRACKET | |
| 61 | 8.707-230.0 | 2 | VALVE, 1" BRASS | |
| 62 | 9.802-132.0 | 2 | ELBOW, 3/4" JIC X 1/2", 90° | |
| 63 | 8.706-117.0 | 2 | NIPPLE, 1" CLOSE, BLACK | |
| 64 | 9.802-052.0 | 1 | BULKHEAD, 3/4" POLYPRO | |
| 65 | 8.706-992.0 | 1 | ADAPTER, 1/2" X 3/8" | |
| 66 | 8.749-879.0 | 1 | ADHESIVE, 10" ROLL, 2.5" X 7" | |
| 67 | - | 1 | VIN PLATE | |
| 68 | 9.802-730.0 | 2 | BOLT, 3/8" X 2-1/2" GR5 ZINC | |
| 69 | 9.802-807.0 | 4 | WASHER, 3/8", SAE, FLAT ZINC | |
| 70 | 9.802-779.0 | 2 | NUT, 3/8", ESNA, NC | |
| 71 | 8.916-826.0 | 1 | GUARD, EXHAUST, TRAILER | SUPER SKID MODELS ONLY |
| 72 | 9.802-799.0 | 4 | SCREW, #14 X 1" TEK | SUPER SKID MODELS ONLY |
| 73 | 8.912-401.0 | 2 | SIGNAGE PLATE (OPTION) | |
| 74 | 9.802-799.0 | 8 | SCREW, SCREW, 3/14 X 1" TEK BLK, ZINC | |
| 75 | 8.755-310.0 | 2 | 5/8-11 X 4.5 INCH GRADE 5 BOLT, ECOGUARD COATED | |
| 76 | 8.755-309.0 | 2 | 5/8 INCH GRADE 9 LOCKNUT, ECOGUARD COATED | |
| 77 | 8.755-187.0 | 9 | GROMMET, RUBBER, NOZZLE, HOLDER BASE | |
| 78 | - | 1 | TIRE PLACARD LABEL | |
| 79 | 8.755-291.0 | 1 | LABEL, NATM | |
| 80 | 8.755-306.0 | 1 | COUPLER, 2-5/16TH IN BALL, ADJST HGT | |
| 81 | 8.757-910.0 | 4 | RED REFLECTIVE LABEL B489R | |
| 82 | 8.757-911.0 | 4 | AMBER REFLECTIVE LABEL B489A | |

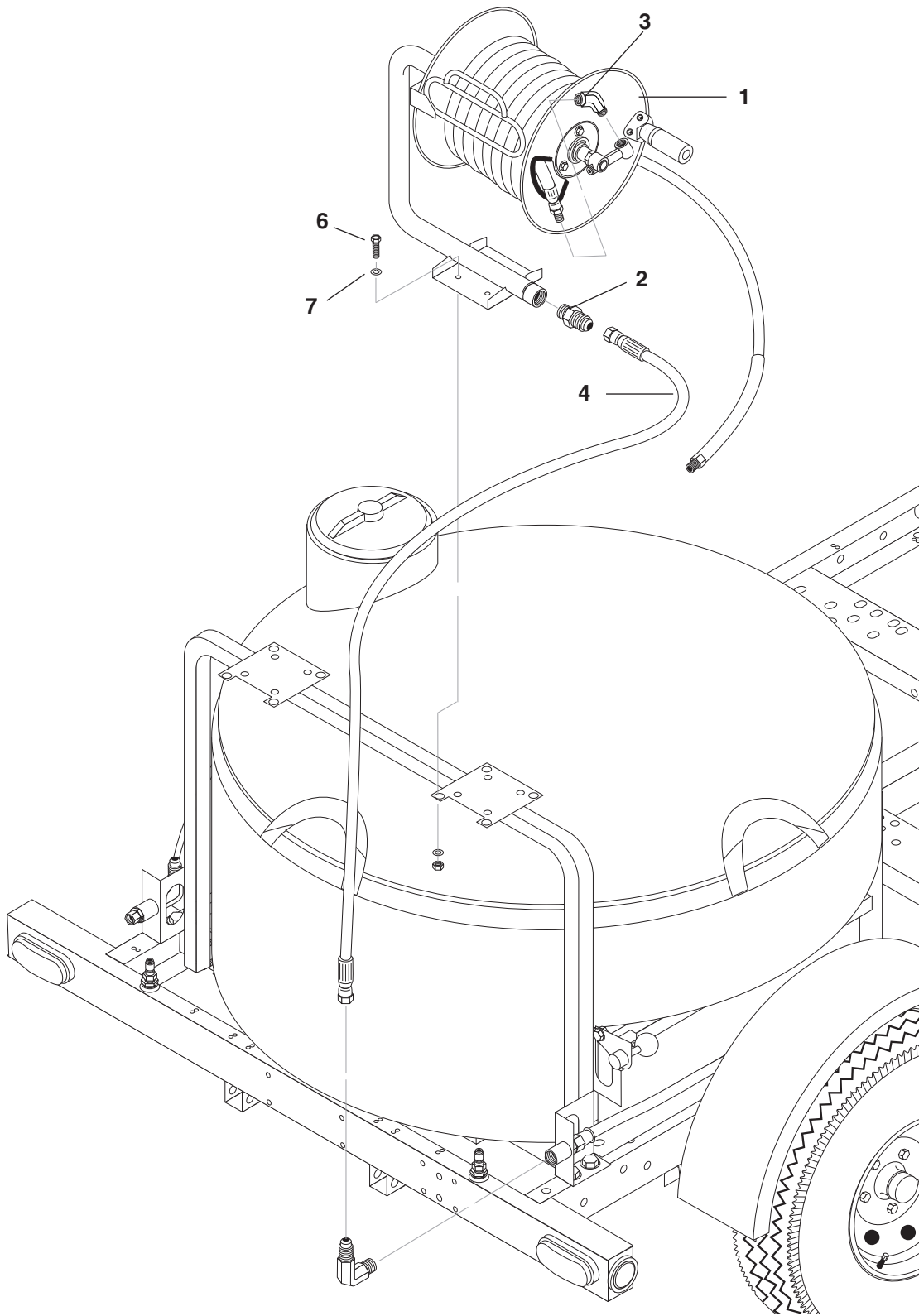
Low Pressure Hose Reel 3500-S



| REF | PART NO. | QTY | DESCRIPTION | NOTES |
|-----|-------------|-----|---------------------------------------|-------|
| 1 | 9.122-002.0 | 1 | HOSE REEL, 100 FT., FIXED BASE | |
| 2 | 9.802-132.0 | 1 | ELBOW, 3/4" JIC X 1/2", 90° | |
| 3 | 8.706-834.0 | 1 | ELBOW, 3/8" STREET, 45° | |
| 4 | 9.802-147.0 | 1 | SWIVEL, 3/8" MP X 3/4" GHF W/STRAINER | |
| 5 | 9.802-152.0 | 2 | SWIVEL, 3/4" FEM, PUSH-ON | |
| 6 | 9.802-261.0 | 30" | HOSE, 3/4" PUSH-ON, /FT | |
| 7 | 9.802-171.0 | 1 | COUPLER, 3/8" PLUG, MALE | |
| 8 | 9.802-722.0 | 4 | BOLT, 3/8" X 1-1/4" | |
| 9 | 9.802-807.0 | 8 | WASHER, 3/8" SAE, FLAT ZINC | |
| 10 | 9.802-779.0 | 4 | NUT, 3/8", ESNA | |
| 11 | 8.706-984.0 | 1 | ADAPTER, 1/2" FPT X 1/2" MPT, BRASS | |
| 12 | 9.802-052.0 | 1 | BULKHEAD, 3/4" POLYPRO | |
| 13 | 8.706-397.0 | 1 | PLUG, 3/4" MT, SCH 80 PVC | |
| 14 | 8.706-294.0 | 1 | BUSHING, 1/2" X 3/8" STEEL | |
| 15 | 8.706-968.0 | 1 | NIPPLE, 1/2" MPT X 3/4" GHM | |
| 16 | 8.757-910.0 | 4 | RED REFLECTIVE LABEL B489R | |

Garden Hose not included

High Pressure Hose Reel 3500-S



98013020-6

| REF | PART NO. | QTY | DESCRIPTION | NOTES |
|------------|-----------------|------------|--|--------------|
| 1 | 9.122-002.0 | 1 | HOSE REEL, BOLT ON 100 FT., FIXED BASE | |
| 2 | 9.802-036.0 | 1 | NIPPLE, 1/2" JIC X 3/8" PIPE, STEEL | |
| 3 | 9.802-041.0 | 1 | ELBOW, 3/8" STEEL, STREET, 45° | |
| 4 | 9.802-243.0 | 1 | HOSE, 3/8" X 32", 2 WIRE | |
| 5 | 9.802-040.0 | 1 | ELBOW, 1/2" , JIC , 1/2, 90°, | |
| 6 | 9.802-722.0 | 4 | BOLT, 3/8" X 1-1/4" | |
| 7 | 9.802-807.0 | 8 | WASHER, 3/8" SAE, FLAT ZINC | |
| 8 | 9.802-779.0 | 4 | NUT, 3/8", ESNA | |