

# OPERATOR'S SAFETY AND SERVICE MANUAL



## 2000, 2018 AP2000+ & 3550

This manual covers the following serial numbers  
and higher for each model listed:

2000.....	2064575.
2018.....	2180100.
3550.....	3551200.



## VIBRATORY PLATES

**MBW, Inc.**  
250 Hartford Rd • PO Box 440  
Slinger, WI 53086-0440  
Phone: (262) 644-5234  
Fax: (262) 644-5169  
Email: [mbw@mbw.com](mailto:mbw@mbw.com)  
Website: [www.mbw.com](http://www.mbw.com)

**MBW (UK) Ltd.**  
Units 2 & 3 Cochrane Street  
Bolton BL3 6BN, England  
Phone: 01204 387784  
Fax: 01204 387797

**MBW FRANCE S.A.R.L.**  
Z.A. d'Outreville  
11 rue Jean Baptiste Néron,  
60540 BORNEL  
FRANCE  
Phone: +33 (0) 3 44 07 15 96  
Fax: +33 (0) 3 44 07 41 28  
Email: [mbwfrance@free.fr](mailto:mbwfrance@free.fr)

L18702/ 12.11.T  
©MBW, Inc. 2008  
Printed in the USA

**ASPHALT  
WATER  
TANK**

01066

01066

**CAUTION**

Machine may fall and cause injury or damage if lifted improperly. Lift by handles or rollcage only.

GP2000=165 lbs (75 kg)	AP3550=254 lbs (115 kg)
AP2000=193 lbs (88 kg)	GP5800=300 lbs (136 kg)
GP3550=226 lbs (103kg)	

16402

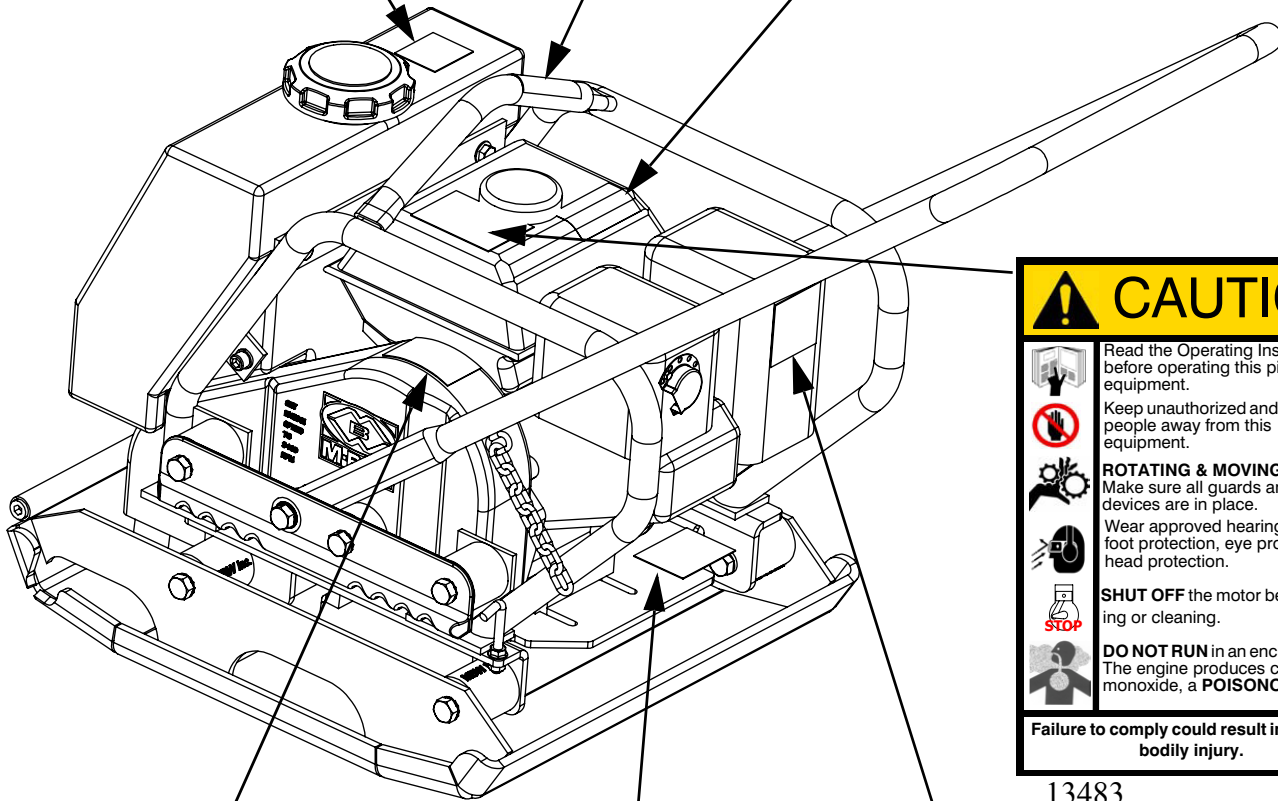
16402

**WARNING**

OPERATION OF THIS EQUIPMENT MAY CREATE SPARKS THAT CAN START FIRES AROUND DRY VEGETATION. A SPARK ARRESTER MAY BE REQUIRED. THE OPERATOR SHOULD CONTACT LOCAL FIRE AGENCIES FOR LAWS OR REGULATIONS RELATING TO FIRE PREVENTION

19791

19791



**CAUTION**

- Read the Operating Instructions before operating this piece of equipment.
- Keep unauthorized and untrained people away from this equipment.
- ROTATING & MOVING PARTS!** Make sure all guards and safety devices are in place.
- Wear approved hearing protection, foot protection, eye protection and head protection.
- STOP** SHUT OFF the motor before servicing or cleaning.
- DO NOT RUN** in an enclosed area. The engine produces carbon monoxide, a **POISONOUS GAS**.

Failure to comply could result in serious bodily injury.

13483

13483

**WARNING**

**ROTATING PARTS**  
Keep hands away!

12573

MODEL 2000	SERIAL NO
<b>GROUND POUNDER DIV.</b>	
<b>M-B-W INC.</b>	
<b>SLINGER, WI 53086</b>	
MODEL 2000	SERIAL NO

18724

18724 - 2000

19451 - 2018

18703 - 3550

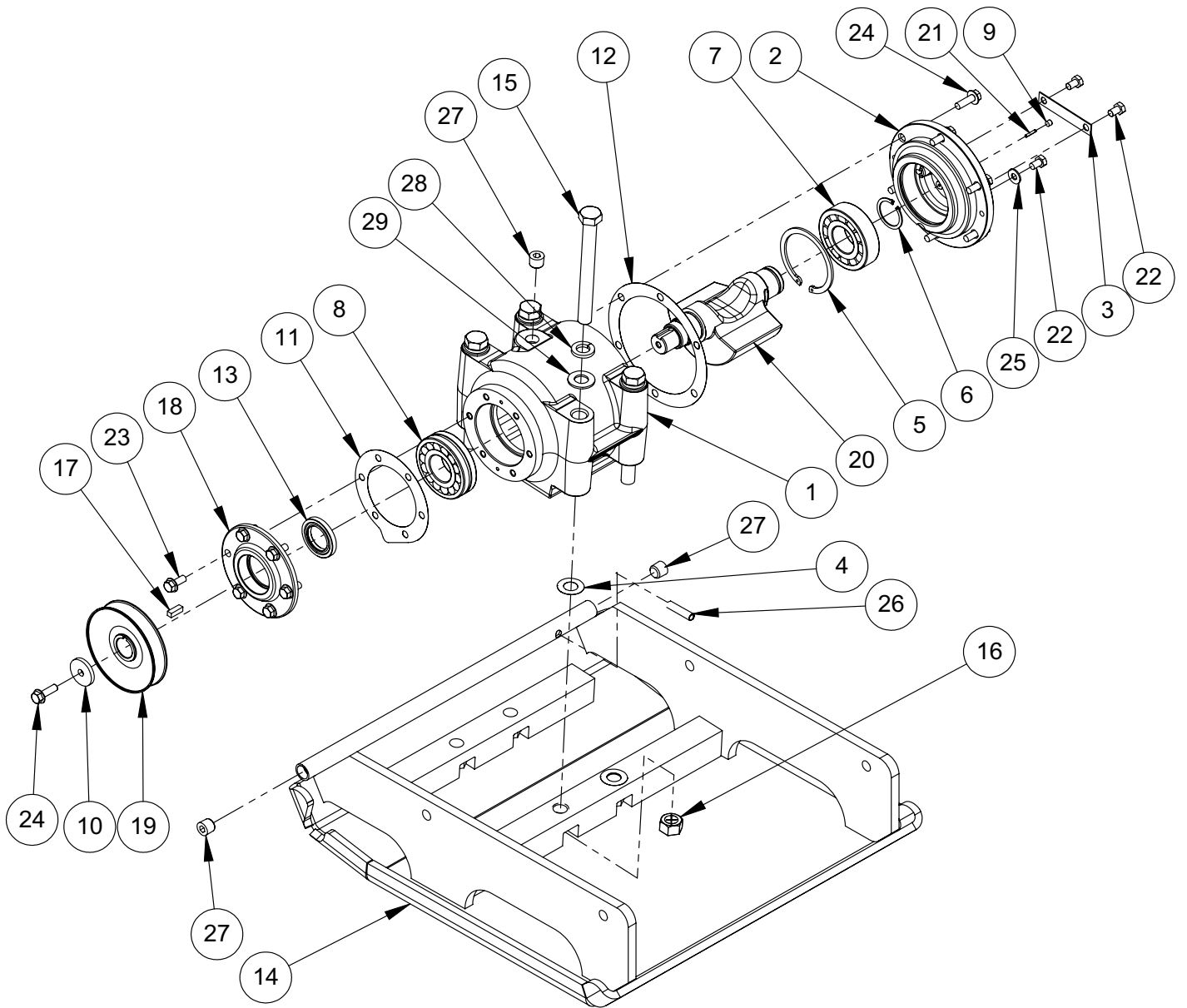
**PLATES**  
**OPERATING INSTRUCTIONS**

1. Check engine oil.
2. Open fuel valve.
3. Choke engine. A warm engine may not need to be choked.
4. Open throttle part way.
5. Pull starter rope.
6. After starting: open choke, return throttle to idle position.
7. During operation, when excessive kickback is noticed, maximum compaction has been reached.
8. To stop: Return throttle to idle position, use engine stop switch, close fuel valve.

13482

13482

**Safety Decals (Decal Set #12100)**

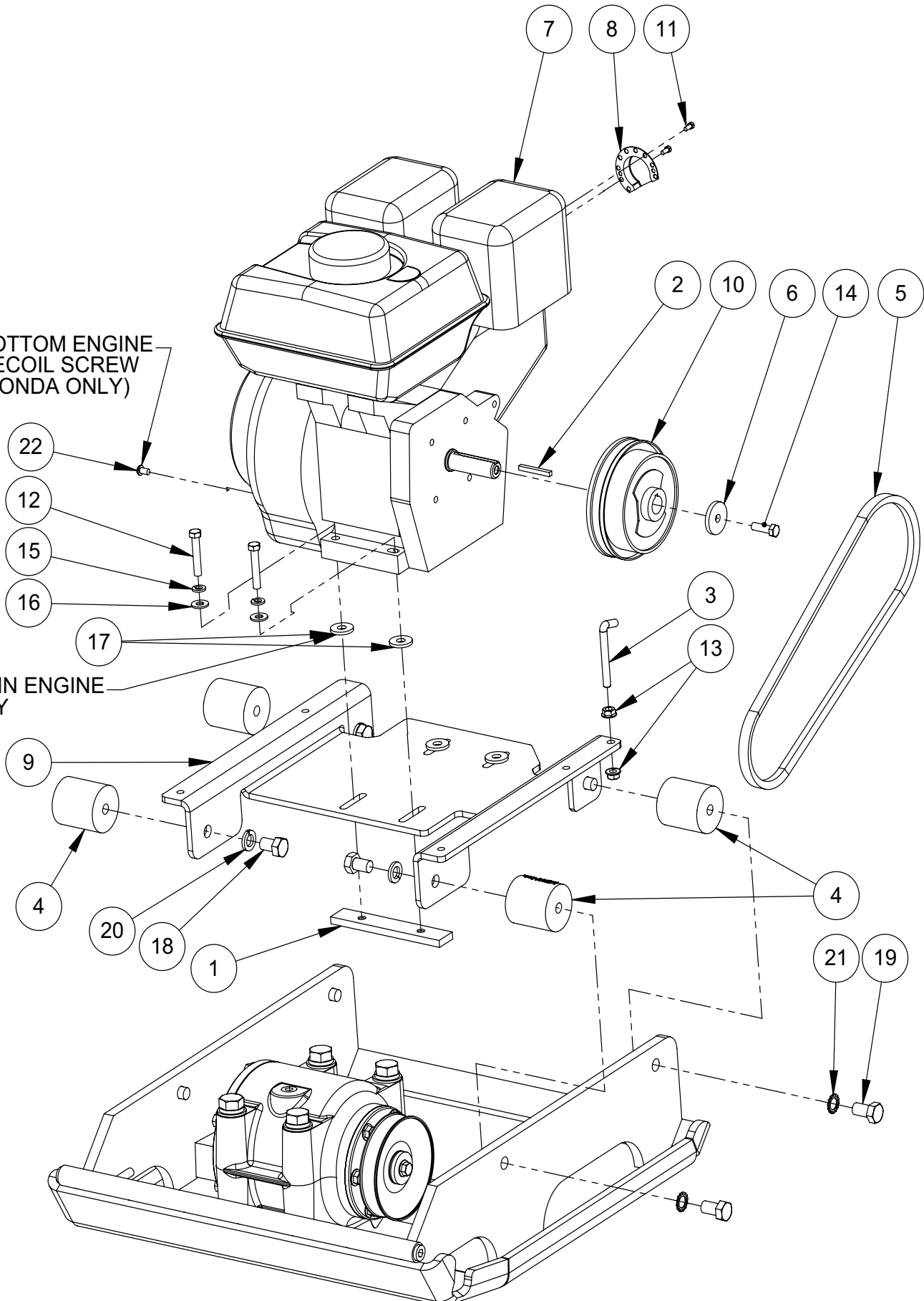


# 3550 Exciter Assembly

ITEM	PART NO.	DESCRIPTION	QTY
1.	00001	EXCITER HOUSING	1
2.	00006	REAR COVER	1
3.	00066	RETAINER PLATE	1
4.	00259	SHIM EXCITER (AS REQUIRED)	
5.	01000	RETAINING RING, INTERNAL	1
6.	01001	RETAINING RING, EXTERNAL	1
7.	01004	CYLINDRICAL ROLLER BEARING	1
8.	01005	SPHERICAL ROLLER BEARING	1
9.	01072	FILTER, FELT	1
10.	01099	WASHER	1
11.	06096	GASKET	1
12.	06098	GASKET	1
13.	17179	OIL SEAL	1
	01002	OIL SEAL, <b>SERIAL NO. 3551199 &amp; LOWER</b>	
14.	18577	BASE PLATE	1
15.	18700	HHCS, 5/8-11 X 6 GRADE 8	4
16.	18701	HEX NUT, 5/8-11, GRADE 8 ZP	4
17.	19135	KEY, 1/4" SQ. X 3/4 SQUARE ENDS	1
	01283	KEY, 1/4" SQ. X 1-1/4 ROUND ENDS, <b>SERIAL NO. 3551199 &amp; LOWER</b>	
18.	19628	FRONT COVER	1
	00005	FRONT COVER, <b>SERIAL NO. 3551199 &amp; LOWER</b>	
19.	19629	PULLEY, EXCITER 4-3/8 DIA x 1.0 I.D.	1
	00003	PULLEY, 4-3/8 DIA x 1-1/8 I.D., <b>SERIAL NO. 3551199 &amp; LOWER</b>	
20.	19912	EXCITER SHAFT	1
	18692	EXCITER SHAFT, <b>SERIAL NO. 3551199 &amp; LOWER</b>	
21.	F0205SP	SPIROL PIN, 1/8 X 5/8 LG.	1
22.	F051804HCS	HEX HEAD CAP SCREW, 5/16-18 X 1/2LG.	3
23.	F051806FWS	FLANGE LOCKING SCREW, 5/16-18 X 3/4 LG.	6
24.	F051808FWS	FLANGE LOCKING SCREW, 5/16-18 X 1 LG	7
25.	F05BFW	WASHER, BRASS, 5/16	1
26.	F0612SP	SPIROL PIN	1
27.	F0618SPP	SOCKET PIPE PLUG, 3/8-18	3
28.	F10LW	LOCKWASHER, 5/8	4
29.	F10PW	WASHER, 5/8	4
		<b>SERVICE PARTS:</b>	
	00062	WASHER SEAL, PULLEY (NOT SHOWN) <b>SERIAL NO. 2064574 &amp; LOWER</b>	
		<b>REPLACEMENT KIT</b>	
	19913	EXCITER ASSEMBLY ( COMPLETE)	
	18758	BOTTOM PLATE, AP/GP3550 (INCLUDES ITEMS:7. 19, 20, 21, 27, 28, 29 & 30)	

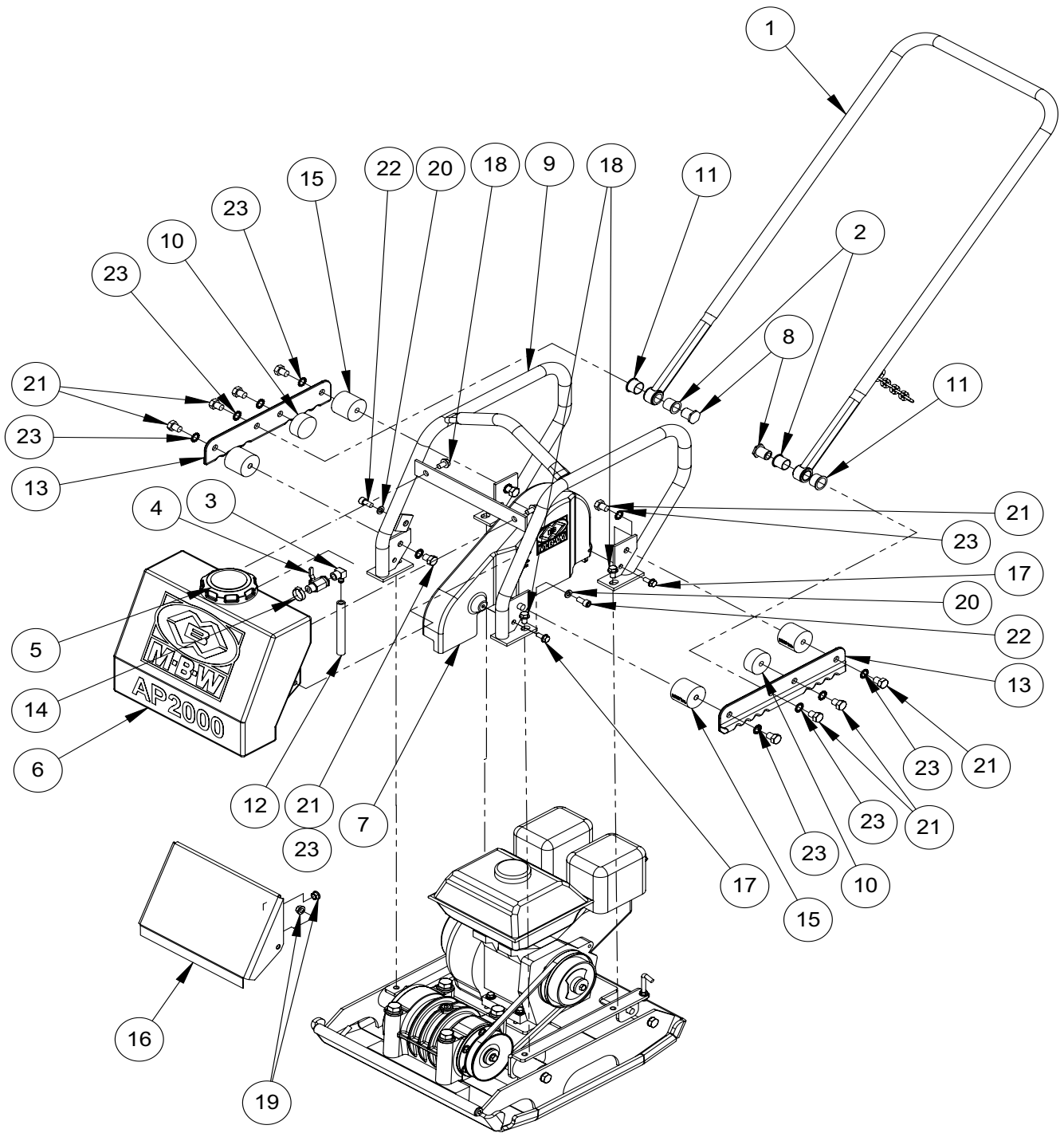
BOTTOM ENGINE  
RECOIL SCREW  
(HONDA ONLY)

ROBIN ENGINE  
ONLY



# ENGINE ASSEMBLY 3550

ITEM	PART NO.	DESCRIPTION	3550H	3550R
1.	00031	MOUNTING BAR, ENGINE	2	2
2.	00032	SHAFT KEY, 3/16" SQUARE x 1-5/8 LG.	1	1
3.	00048	HOOK BOLT, 5/16-18	1	1
4.	01011	SHOCK MOUNT	4	4
5.	07288	V-BELT A-32, ( <b>SERIAL NO 35500759 &amp; BELOW</b> )	1	1
	06931	V-BELT A-31, ( <b>SERIAL NO 35500760 &amp; UP</b> )	1	1
6.	01099	WASHER	1	1
7.	01444	ENGINE HONDA, 5.5 HP GX160	1	
	17210	ENGINE ROBIN, 4.5 HP EX130		1
	17370	ENGINE ROBIN, 6 HP EX170 (OPTIONAL)		1
8.	07636	DEFLECTOR, EXHAUST, (HONDA)	1	
9.	19531	ENGINE DECK	1	1
10.	16105	CLUTCH, CENTRIFUGAL	1	1
11.	F0203HTB	SCREW, #8 x 3/8" LG. TYPE A, WASHER HEAD	2	
12.	F051814HCS	HHCS, 5/16-18 x 1-3/4 LG. GRADE 5	4	4
13.	F0518FN	NUT, FLANGE WHIZ-LOCK, 5/16-18, ZP	2	2
14.	F052408HCS	HHCS, 5/16-18 X 1 LG. ZP	1	1
15.	F05LW	LOCKWASHER, 5/16, ZP	4	4
16.	F05SW	WASHER, 5/16, ZP	4	4
17.	F06SW	WASHER, 3/8, ZP		4
18.	F081306HCS	HHCS, 1/2-13 x 3/4 LG. GRADE 5, ZP	4	4
19.	F081307HCS	HHCS, 1/2-13 x 7/8 LG. GRADE 5, ZP	4	4
20.	F08LW	LOCKWASHER, 1/2, ZP	4	4
21.	M12ETLW	LOCKWASHER, M12, EXTERNAL TOOTH	4	4
22.	M06C010BCS	BUTTON HEAD SCREW, M6 x 10mm	1	
	20188	<b>KITS:</b> SERVICE KIT, HONDA 3550 PLATE, INCLUDES:		
		(4) #01011 SHOCK MOUNT		
		(4) #17170 SHOCK MOUNT		
		(1) #06931 V-BELT		
		(1) #19951 1-QUART OIL, 10W30 OIL		
		(1) #20186 oz. BOTTLE EXCITER OIL		
		(1) #Q17210ZE1822 AIR CLEANER ELEMENT		
		(1) #Q9807956846 SPARK PLUG		



# ROLLCAGE

